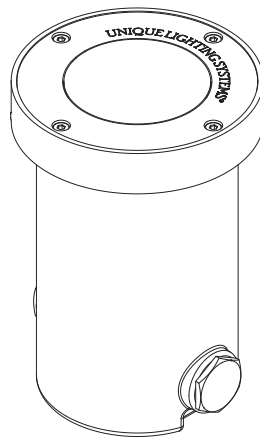
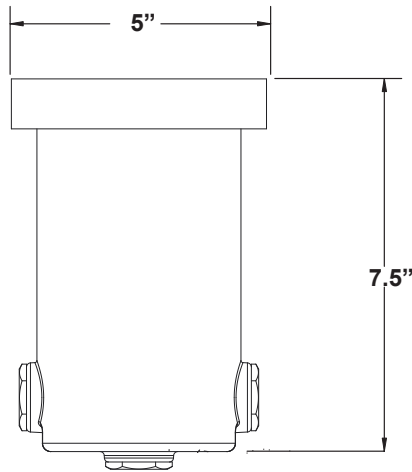
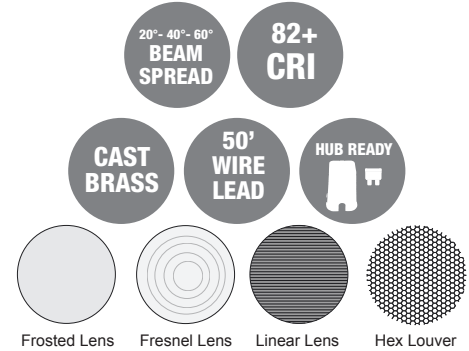


PRODUCT SPECIFICATIONS

PROJECT:	
MODEL #:	
LAMP(S):	
NOTES:	



Specifications:

- Cast brass and PBT construction
- Dual high temperature red o-ring seal
- Specification grade, beryllium copper socket
- Premium grade direct service cable
- 50' premium grade SJTW cable
- Water tight tempered step glass
- Drive-over rated
- 8W max. LED lamp / 50W max. halogen
- Weathered brass finish standard
- 4 wiring access ports
- Limited lifetime warranty

Light Distribution Cones

LED-8W-CM6FL27K

	Illuminance at a Distance	
	Center Beam fc	Beam Width
4.3R	81.8 fc	3.0 ft 3.1 ft
8.7R	20.0 fc	6.2 ft 6.2 ft
13.0R	8.95 fc	9.2 ft 9.2 ft
17.3R	5.06 fc	12.3 ft 12.3 ft
21.7R	3.21 fc	15.4 ft 15.4 ft
26.0R	2.24 fc	18.4 ft 18.4 ft

■ Vert. Spread: 39.0°
■ Horiz. Spread: 39.1°

LED-8W-CM6FL30K

	Illuminance at a Distance	
	Center Beam fc	Beam Width
4.3ft	86.1 fc	3.0 ft 3.0 ft
8.7ft	21.0 fc	6.1 ft 6.0 ft
13.0ft	9.42 fc	9.1 ft 9.0 ft
17.3ft	5.32 fc	12.1 ft 12.0 ft
21.7ft	3.38 fc	15.2 ft 15.0 ft
26.0ft	2.35 fc	18.2 ft 18.0 ft

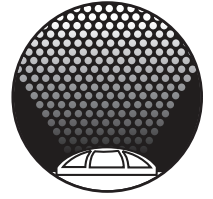
■ Vert. Spread: 38.5°
■ Horiz. Spread: 38.2°

NOTE: Light cones are depicted without supplied lenses. Maximum wattage shown, for all other wattage options please refer to uniquelighting.com/beamspreads.



UL 2108:2004 R12.07
CSA C22.2.9.0-96 (R2006)

Unique Lighting Systems® reserves the right to modify the design and/or construction of the fixture shown without further notification.



Fixtures

Part Number

Description

ZENI-L427	ZENITH, BR, 12V LED, 4W 27K, 50' WL, WB
ZENI-L427-P	ZENITH, BR, 12V LED, 4W 27K, 50' WL, PNT
ZENI-L430	ZENITH, BR, 12V LED, 4W 30K, 50' WL, WB
ZENI-L430-P	ZENITH, BR, 12V LED, 4W 30K, 50' WL, PNT
ZENI-L527	ZENITH, BR, 12V LED, 5W 27K, 50' WL, WB
ZENI-L527-P	ZENITH, BR, 12V LED, 5W 27K, 50' WL, PNT
ZENI-L530	ZENITH, BR, 12V LED, 5W 30K, 50' WL, WB
ZENI-L530-P	ZENITH, BR, 12V LED, 5W 30K, 50' WL, PNT
ZENI-L827	ZENITH, BR, 12V LED, 8W 27K, 50' WL, WB
ZENI-L827-P	ZENITH, BR, 12V LED, 8W 27K, 50' WL, PNT
ZENI-L830	ZENITH, BR, 12V LED, 8W 30K, 50' WL, WB
ZENI-L830-P	ZENITH, BR, 12V LED, 8W 30K, 50' WL, PNT

Accessories

Part Number

N/A

Description

Finishes

Standard Finish

WB - Weathered Brass

Powder Coated Finishes

WH - White

BK - Black

VG - Verde Green

TT - Tucson Tan

TK - Titanium Knight

Custom Colors

P - Painted

Stock powder coated colors displayed are subject to varying lead-times and will incur an additional cost. A Limited Warranty applies to all powder coated products.

Custom colors are available upon request. Please inquire about cost and lead times. Contact factory for custom colors and matching paint options.