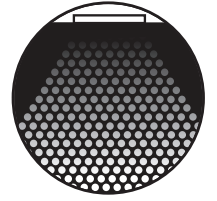


UNIQUE

LIGHTING SYSTEMS®

Vanguard 5 & 8

Wall Light
Odyssey Series

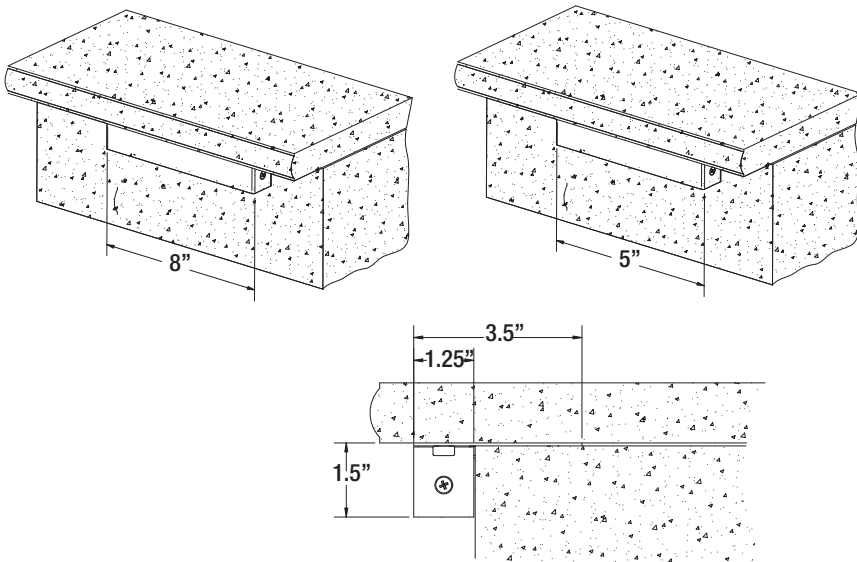


PRODUCT SPECIFICATIONS

PROJECT:	
MODEL #:	
LAMP(S):	
NOTES:	

- 360°
BEAM
SPREAD
- 82+
CRI
- SOLID
BRASS
- 25'
WIRE
LEAD
- AMC
- HUB READY

Frosted Lens



Specifications:

- Solid brass construction
- Specification grade beryllium copper socket
- Premium grade direct burial cable
- Frosted borosilicate lens
- 2W max. LED lamp / 20W max. halogen
- Mounting hardware included
- Weathered brass finish standard
- Limited lifetime warranty

Light Distribution Cones: N/A

NOTE: Light cones are depicted without supplied lenses. Maximum wattage shown, for all other wattage options please refer to uniquelighting.com/beamspreads.

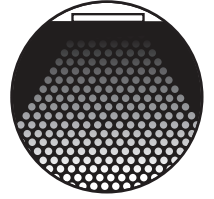


UL 2108:2004 R12.07
CSA C22.2.9.0-96 (R2006)

Unique Lighting Systems® reserves the right to modify the design and/or construction of the fixture shown without further notification.

© Unique Lighting Systems® • 5825 Jasmine Street, Riverside, CA 92504 • Customer Service - 800.955.4831 • Order Services - 800.654.1882

www.uniquelighting.com



Fixtures

Part Number

VAB5-12-L1
VAB5-12-L2
VAB5-12-L27
VAB5-NL
VAB5-NL-0
VAB5-NL-50
VAB5-NL-P
VAB8-12-L1
VAB8-12-L2
VAB8-12-L27
VAB8-NL
VAB8-NL-0
VAB8-NL-50
VAB8-NL-P

Description

VANGUARD5 BR 12V LED 1W 30K 25"WL
VANGUARD5 BR 12V LED 2W 30K 25"WL
VANGUARD5 BR 12V LED 2W 27K 25"WL
VANGUARD5 BR NL 25"WL WB
VANGUARD5 BR NL NWL WB
VANGUARD5 BR NL 50"WL WB
VANGUARD5 BR NL 25"WL PNT
VANGUARD8 BR 12V LED 1W 30K 25"WL
VANGUARD8 BR 12V LED 2W 30K 25"WL
VANGUARD8 BR 12V LED 2W 27K 25"WL
VANGUARD8 BR NL 25"WL WB
VANGUARD8 BR NL NWL WB
VANGUARD8 BR NL 50"WL WB
VANGUARD8 BR NL 25"WL PNT

Accessories

Part Number

N/A

Description

Finishes

Standard Finish

WB - Weathered Brass

Powder Coated Finishes

WH - White
BK - Black
VG - Verde Green
TT - Tucson Tan
TK - Titanium Knight

Custom Colors

P - Painted

Stock powder coated colors displayed are subject to varying lead-times and will incur an additional cost. A Limited Warranty applies to all powder coated products.

Custom colors are available upon request. Please inquire about cost and lead times. Contact factory for custom colors and matching paint options.