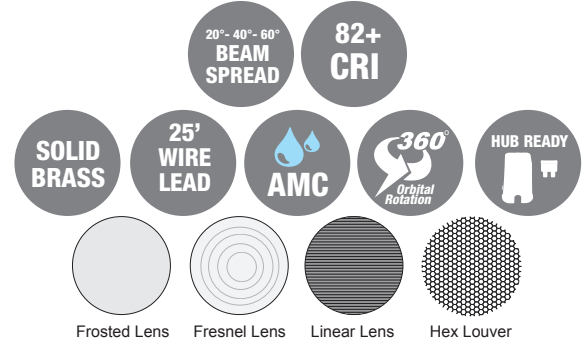
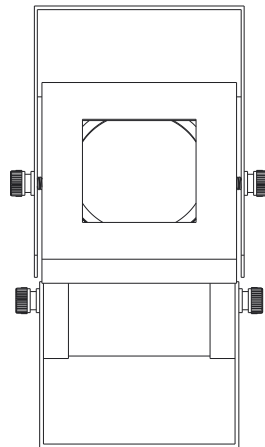
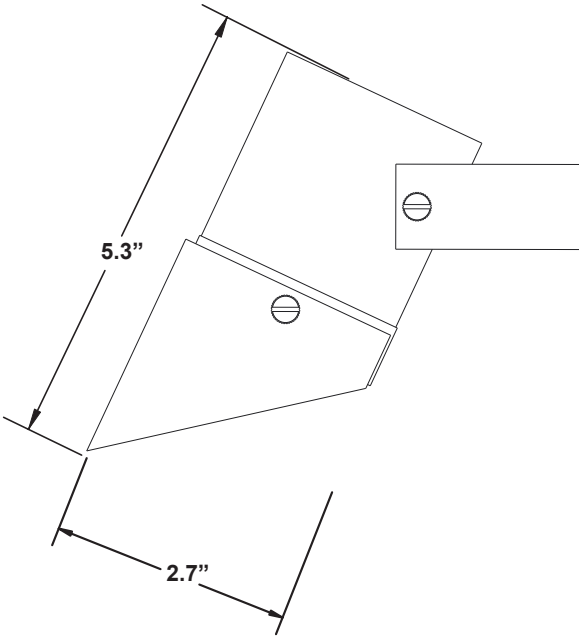


PRODUCT SPECIFICATIONS

PROJECT:	
MODEL #:	
LAMP(S):	
NOTES:	



- 20°-40°-60° BEAM SPREAD
- 82+ CRI
- SOLID BRASS
- 25' WIRE LEAD
- AMC
- 360° Orbital Rotation
- HUB READY
- Frosted Lens
- Fresnel Lens
- Linear Lens
- Hex Louver



Specifications:

- Solid brass construction
- High temperature silicone o-rings
- Specification grade, beryllium copper socket
- Premium grade direct burial cable
- AMC - Anti-Moisture Connections
- 8W max. LED lamp / 35W max. halogen
- Weathered brass finish standard
- Limited lifetime warranty

Light Distribution Cones:

LED-8W-CM6FL27K

	Illuminance at a Distance		
	Center Beam fc	Beam Width	
4.3R	81.8 fc	3.0 ft	3.1 ft
8.7R	20.0 fc	6.2 ft	6.2 ft
13.0R	8.95 fc	9.2 ft	9.2 ft
17.3R	5.06 fc	12.3 ft	12.3 ft
21.7R	3.21 fc	15.4 ft	15.4 ft
26.0R	2.24 fc	18.4 ft	18.4 ft

■ Vert. Spread: 39.0°
■ Horiz. Spread: 39.1°

LED-8W-CM6FL30K

	Illuminance at a Distance		
	Center Beam fc	Beam Width	
4.3ft	86.1 fc	3.0 ft	3.0 ft
8.7ft	21.0 fc	6.1 ft	6.0 ft
13.0ft	9.42 fc	9.1 ft	9.0 ft
17.3ft	5.32 fc	12.1 ft	12.0 ft
21.7ft	3.38 fc	15.2 ft	15.0 ft
26.0ft	2.35 fc	18.2 ft	18.0 ft

■ Vert. Spread: 38.5°
■ Horiz. Spread: 38.2°

NOTE: Light cones are depicted without supplied lenses. Maximum wattage shown, for all other wattage options please refer to uniquelighting.com/beamspreads.



UL 2108:2004 R12.07
CSA C22.2.9.0-96 (R2006)

Unique Lighting Systems® reserves the right to modify the design and/or construction of the fixture shown without further notification.



Fixtures

Part Number

QUA2-NL
QUA2-NL-0
QUA2-NL-50
QUA2-NL-P
QUA2-NL-WH

Description

QUASAR2 BR NL 25"WL WB
QUASAR2 BR NL NWL WB
QUASAR2 BR NL 50"WL WB
QUASAR2 BR NL 25"WL PNT
QUASAR2 BR NL 25"WL WH

Accessories

Part Number

N/A

Description

Finishes

Standard Finish

WB - Weathered Brass

Powder Coated Finishes

WH - White
BK - Black
VG - Verde Green
TT - Tucson Tan
TK - Titanium Knight

Custom Colors

P - Painted

Stock powder coated colors displayed are subject to varying lead-times and will incur an additional cost. A Limited Warranty applies to all powder coated products.

Custom colors are available upon request. Please inquire about cost and lead times. Contact factory for custom colors and matching paint options.