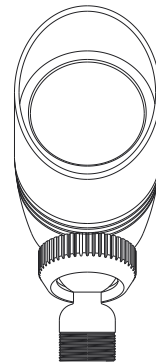
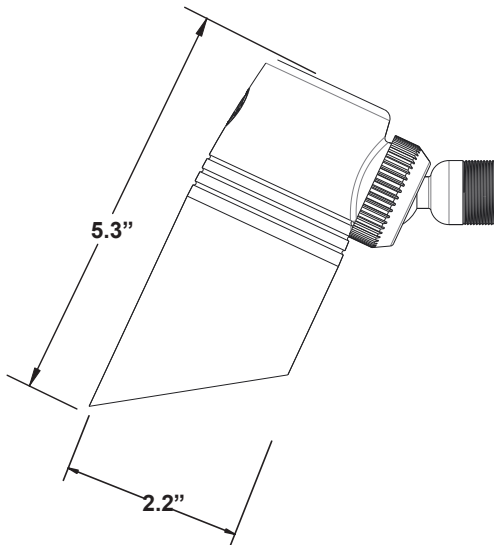
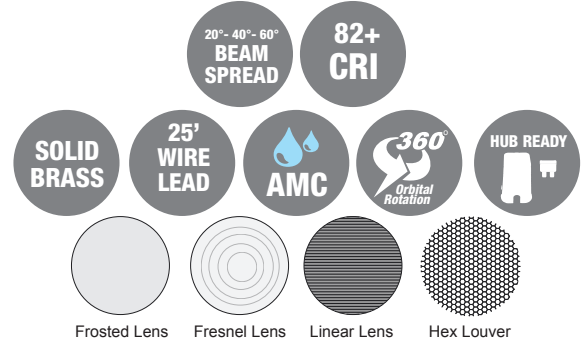




## PRODUCT SPECIFICATIONS

PROJECT:	
MODEL #:	
LAMP(S):	
NOTES:	



## Specifications:

- Solid brass construction
- High temperature silicone o-rings
- Specification grade, beryllium copper socket
- Premium grade direct burial cable
- AMC - Anti-Moisture Connections
- Revolutionary ball and joint Orbital Mount allowing a 360° rotation
- 8W max. LED lamp / 35W max. halogen
- Dome mounting base included
- Weathered brass finish standard
- Limited lifetime warranty

## Light Distribution Cones:

### LED-8W-CM6FL27K

	Illuminance at a Distance		
	Center Beam fc	Beam Width	
4.3R	81.8 fc	3.0 ft	3.1 ft
8.7R	20.0 fc	6.2 ft	6.2 ft
13.0R	8.95 fc	9.2 ft	9.2 ft
17.3R	5.06 fc	12.3 ft	12.3 ft
21.7R	3.21 fc	15.4 ft	15.4 ft
26.0R	2.24 fc	18.4 ft	18.4 ft

■ Vert. Spread: 39.0°  
■ Horiz. Spread: 39.1°

### LED-8W-CM6FL30K

	Illuminance at a Distance		
	Center Beam fc	Beam Width	
4.3ft	86.1 fc	3.0 ft	3.0 ft
8.7ft	21.0 fc	6.1 ft	6.0 ft
13.0ft	9.42 fc	9.1 ft	9.0 ft
17.3ft	5.32 fc	12.1 ft	12.0 ft
21.7ft	3.38 fc	15.2 ft	15.0 ft
26.0ft	2.35 fc	18.2 ft	18.0 ft

■ Vert. Spread: 38.5°  
■ Horiz. Spread: 38.2°

**NOTE:** Light cones are depicted without supplied lenses. Maximum wattage shown, for all other wattage options please refer to [uniquelighting.com/beamspreads](http://uniquelighting.com/beamspreads).



c us

UL 2108:2004 R12.07  
CSA C22.2.9.0-96 (R2006)

Unique Lighting Systems® reserves the right to modify the design and/or construction of the fixture shown without further notification.



## Fixtures

### Part Number

PROS-12-L327  
PROS-12-L427  
PROS-12-L430  
PROS-NL  
PROS-NL-0  
PROS-NL-50  
PROS-NL-BK  
PROS-NL-P  
PROS-NL-WH

### Description

PROBEOSM BR 12V LED 3W 27K 25'WL WB  
PROBEOSM BR 12V LED 4W 27K 25'WL WB  
PROBEOSM BR 12V LED 4W 30K 25'WL WB  
PROBEOSM BR NL 25'WL WB  
PROBEOSM BR NL NWL WB  
PROBEOSM BR NL 50'WL WB  
PROBEOSM BR 12V 20W 25'WL BK  
PROBEOSM BR 12V 20W 25'WL WB  
PROBEOSM BR NL 25'WL WH

## Accessories

### Part Number

SPHEREBASE SB

### Description

Round Mounting Base

## Finishes

### Standard Finish

WB - Weathered Brass

### Powder Coated Finishes

WH - White  
BK - Black  
VG - Verde Green  
TT - Tucson Tan  
TK - Titanium Knight

### Custom Colors

P - Painted

Stock powder coated colors displayed are subject to varying lead-times and will incur an additional cost. A Limited Warranty applies to all powder coated products.

Custom colors are available upon request. Please inquire about cost and lead times. Contact factory for custom colors and matching paint options.