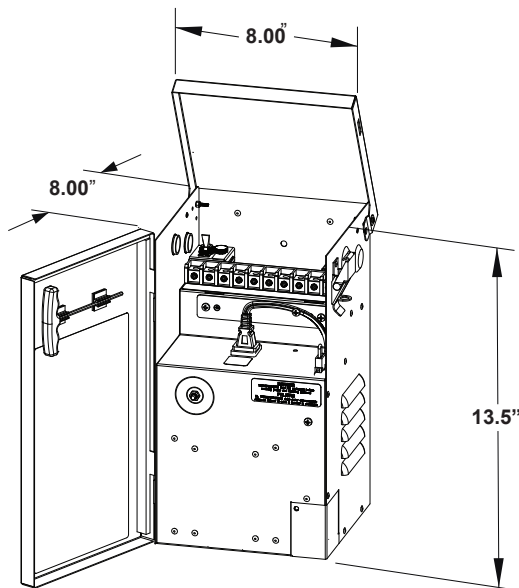


## PRODUCT SPECIFICATIONS

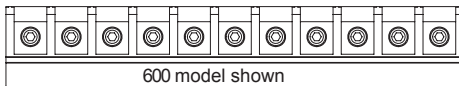
<b>PROJECT:</b>	
<b>MODEL #:</b>	
<b>LAMP(S):</b>	
<b>NOTES:</b>	

### Available Models

- 300IF-PRO (300W, stainless steel, secondary lugged)
- 300IF-PROWB (300W, weathered brass, secondary lugged)
- 600IF-PRO (600W, stainless steel, secondary lugged)
- 600IF-PROWB (600W, weathered brass, secondary lugged)



Tinned 6061-T6 aluminum lug with 3mm set screws



Output Wattage	Output Leads	120v Max Amps
300	(12,14,16,18, 20, 22, 24v) 2 COM	2.5
600	(12,14,16,18, 20, 22, 24v) 4 COM	5.00

## Specifications:

### Core

Engineered single core design with precision grain-oriented steel laminations. High temperature glass-impregnated nylon bobbin and solid copper mag. wire. To ensure robust construction, each output tap is soldered to the mag wire for optimum connectivity.

### Construction

304 stainless steel (complies with NEMA 3R).

### Primary Protection

One 25A breaker for 300W  
Two 25A breakers for 600W

### Power

Unit must be hardwired per UL 2108 requirements.

### Electrical Requirements

Available power ratings 300 and 600 Watts.  
Primary voltage is 120 volts, secondary voltage varies from 12V-24V outputs to offer more flexibility for longer wire runs while compensating for voltage loss.

### Output Terminal

Tinned 6061-T6 aluminum lug strip with 3mm hex set screw for a positive torque connection. Includes 3mm hex key tool with every transformer.

### Auto LED Work Light

LED work light will illuminate when the transformer door is open, and turn off when door is closed, allowing easy installation in low-light conditions.

### Finish

Stainless Steel finish is standard. Unique Lighting's Weathered Brass finish is a "living finish" and will naturally patina and change over time.

### Warranty

Limited lifetime warranty against manufacturer's defects.

