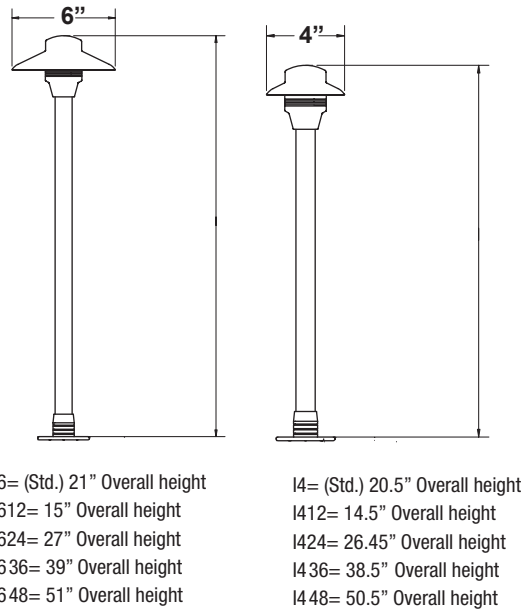
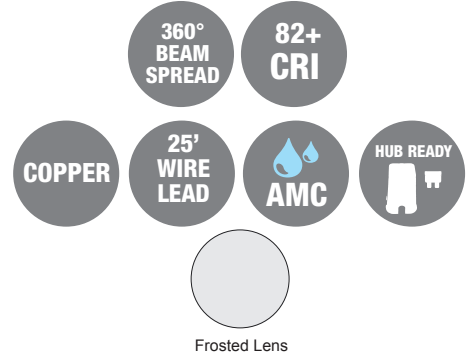




### PRODUCT SPECIFICATIONS

PROJECT:	
MODEL #:	
LAMP(S):	
NOTES:	



### Specifications:

- Solid copper construction
- Thread-on machined brass collar
- Specification grade beryllium copper socket
- Premium grade direct burial cable
- Frosted borosilicate lens
- 2W max. LED lamp / 20W max. halogen
- Large Stabilizer mounting stake included
- Natural copper finish standard
- 15 year warranty

### Light Distribution Cones

N/A



UL 2108:2004 R12.07  
CSA C22.2.9.0-96 (R2006)

Unique Lighting Systems® reserves the right to modify the design and/or construction of the fixture shown without further notification.



### Fixtures

#### Part Number

I4-12-L1  
I4-12-L2  
I4-12-L27  
I4-NL  
I4-NL-0  
I4-NL-50  
I412-NL  
I424-NL  
I436-NL  
I448-NL  
ILLUM4REP  
I6-12-L1  
I6-12-L2  
I6-12-L27  
I6-NL  
I6-NL-0  
I6-NL-50  
I612-NL  
I624-NL  
I636-NL  
I648-NL  
ILLUM6REP

#### Description

ILM4 COP 12V LED 1W 30K 25'WL NC  
ILM4 COP 12V LED 2W 30K 25'WL NC  
ILM4 COP 12V LED 2W 27K 25'WL NC  
ILM4 COP NL 25'WL NC  
ILM4 COP NL NWL NC  
ILM4 COP NL 50'WL NC  
ILM4 COP 12" STEM NL 25'WL NC  
ILM4 COP 24" STEM NL 25'WL NC  
ILM4 COP 36" STEM NL 25'WL NC  
ILM4 COP 48" STEM NL 25'WL NC  
ILM4 COLLAR, LENS, SHROUD  
ILM6 COP 12V LED 1W 30K 25'WL NC  
ILM6 COP 12V LED 2W 30K 25'WL NC  
ILM6 COP 12V LED 2W 27K 25'WL NC  
ILM6 COP NL 25'WL NC  
ILM6 COP NL NWL NC  
ILM6 COP NL 50'WL NC  
ILM6 COP 12" STEM NL 25'WL NC  
ILM6 COP 24" STEM NL 25'WL NC  
ILM6 COP 36" STEM NL 25'WL NC  
ILM6 COP 48" STEM NL 25'WL NC  
ILM6 COLLAR, LENS, SHROUD

### Accessories

#### Part Number

SPHEREBASE SB  
ZEROG  
6COPRISER  
12COPRISER  
24COPRISER

#### Description

Round Mounting Base  
Docking Post  
6" Brass Riser  
12" Brass Riser  
24" Brass Riser

### Finishes

#### Standard Finish

NC - Natural Copper

#### Powder Coated Finishes

WH - White  
BK - Black  
VG - Verde Green  
TT - Tucson Tan  
TK - Titanium Knight

#### Custom Colors

P - Painted

Stock powder coated colors displayed are subject to varying lead-times and will incur an additional cost. A Limited Warranty applies to all powder coated products.

Custom colors are available upon request. Please inquire about cost and lead times. Contact factory for custom colors and matching paint options.