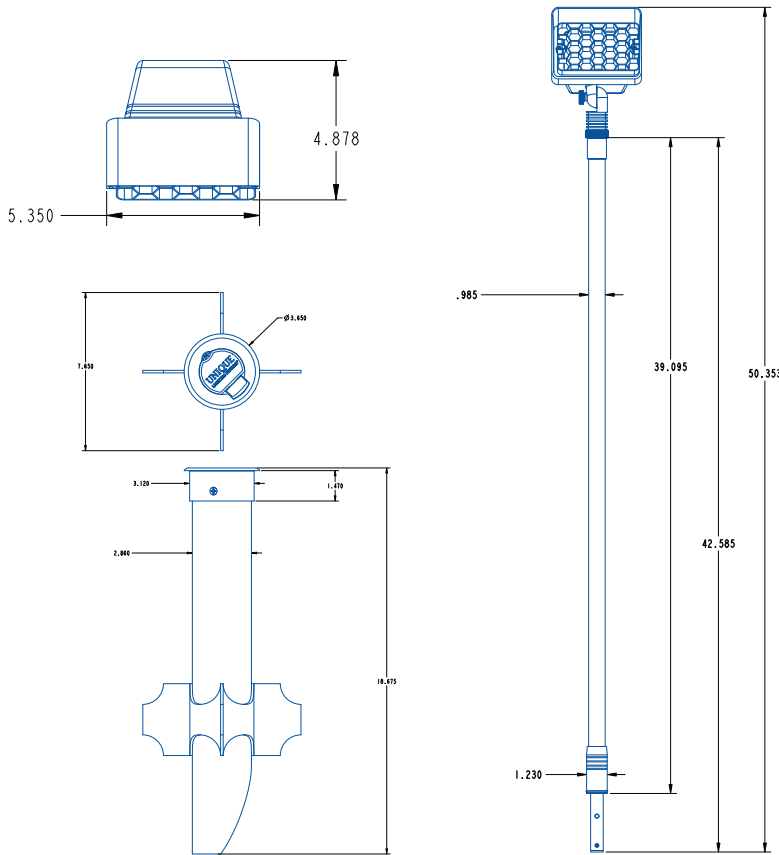
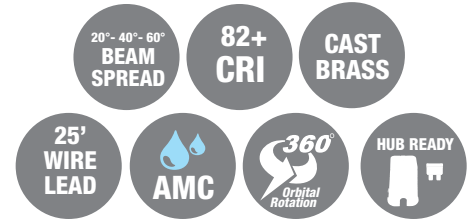




## PRODUCT SPECIFICATIONS

PROJECT:	
MODEL #:	
LAMP(S):	
NOTES:	



## Specifications:

### Fixture:

- Cast brass Starburst™ fixture - Tempered glass lens encased in a silicone gasket to create a weather resistant seal
- Specification grade, beryllium copper socket
- MR16 5W LED lamp included
- Solid brass quick-connect adaptor is mounted to the bottom of the 36" brass stem
- Adjustable head rotates vertically allowing for on-site adjustability, includes low-glare lamp shield
- Weathered brass finish standard

### Stake:

- Sturdy, in-grade, 3" diameter stake provides electrical connection to the transformer and stability for the 36" tall perimeter post light
- Resin flip top for easy connection
- Flush mount to grade when not in use with fixture inserted

### Warranty

- 3-year warranty - stake/HUB connector
- 5-year warranty - LED lamp
- Limited lifetime warranty – fixture

### Please note - Stake is sold separately

ILGR-KIT (Perimeter Post Light, Stake, Quick Connect, 12V)  
 STAR-L530-PL36 (Perimeter Post Light, 36", Quick Connect, 12V)  
 STAKE- PL (Perimeter Stake, Electrical Quick Connect w/Lid)



UL 676  
 CSA C22.2.89-1976

Unique Lighting Systems® reserves the right to modify the design and/or construction of the fixture shown without further notification.