



Count on it.

Parts Catalog

**Irrigation Illustrated Parts
Breakout**

Model No. Parts Breakout Book



Ordering Replacement Parts

To order replacement parts, please supply the part number, the quantity, and the description of each part desired.

Understanding Reference Numbers

Each identified part in an illustration has a reference number. The reference number for a part also appears in the parts list, along with other information about the part.

This catalog uses two special reference number formats, one to indicate parts in a service assembly and another to indicate the quantity of a given part in an illustration.

Service Assembly Reference Numbers

Parts in service assemblies have reference numbers in the form a:b. The a represents the reference number of the entire service assembly and the b represents a sequential number unique to each part within the service assembly.

For example, a wheel assembly might be identified by reference number 6, the tire by 6:1, the valve by 6:2, and the wheel by 6:3. When you order the assembly identified by reference number 6, you receive all parts identified by reference numbers 6:1, 6:2, and 6:3. However, you may also order any part individually. Reference numbers of this type appear in illustration and in parts lists.

Reference Numbers Indicating Quantity

In an illustration, if a reference number indicates more than one part, the reference number has the form nX y. The n represents the quantity of the part, the X is the multiplication symbol, and the y represents the reference number.

For example, in an illustration, the reference number 2X 37 means that two of the parts identified by reference number 37 are indicated.

Contents

570Z 2-4	8
570Z-6	9
570Z-12	10
T5 and T5 RapidSet, Shrub	12
T5 and T5 RapidSet, Lawn	14
T5 and T5 RapidSet, High-Pop	16
T7	18
300 Shrub	20
300 Lawn	22
300 High-pop	24
300 and 340 Series Nozzles	26
340 Shrub	28
340 Lawn	30
340 High-pop	32
300 and 340 Series Nozzles	34
S700 Shrub	36
S700 Lawn	38
S700 Commercial	40
S700 High Pop	42
S700 Nozzles	44
V-1550-Shrub	45
V-1550-4 components	46
V-1550-12	48
TR50 Shrub	50
TR50 Lawn	52
TR50 High-pop	54
TR50XT Shrub	56
TR50XT Lawn	58
TR50XT High-pop	60
TR70P and TR70XT	62
640	64
2001	68
S2001	70
590GF-4 and 590GF-6	72
590GF-12	73
720 Series Sprinkler	74
720 Series Conversion Assembly	76
720G Series	77
810G and 810GL	78
DT34 Series Sprinkler	80
DT34B Series Sprinkler	82
DT35 Series Sprinkler	84
DT35B Series Sprinkler	86
DT54 Series Sprinkler	88
DT55	90
DT55 Ribless Body Conversion	92
FLX34 Series Golf Sprinkler w/ Dual Trajectory	94
FLX34B Series Sprinkler w/ Dual Trajectory	96
FLX35 Series Golf Sprinkler w/ Dual Trajectory	98
FLX35-6 Series Golf Sprinkler w/ 24-Pos TruJectory	100
FLX35B Series Sprinkler w/ Dual Trajectory	102
FLX35-6B Series Sprinkler w/ 24-Pos TruJectory	104
FLX54 Series Golf Sprinkler w/ Dual Trajectory	106
FLX54RB R Series Conversion w/ Dual Trajectory	108

Contents (continued)

FLX55 Ribless Body Conversion w/ Dual Trajectory	110
FLX55 Series Golf Sprinkler w/ Dual Trajectory	112
FLX55RB R Series Conversion w/ Dual Trajectory	114
FLX55-6 Ribless Body Conv w/ 24-Pos TruJectory	116
FLX55-6 Series Golf Sprinkler w/ 24-Pos TruJectory	118
FLX55-6RB R Series Conv w/ 24-Pos TruJectory	120
INF54 Series Golf Sprinkler w/ Dual Trajectory	122
INF55 Series Golf Sprinkler w/ Dual Trajectory	124
INF55-6 Series Golf Sprinkler w/ 24-Pos TruJectory	126
INF34 Series Golf Sprinkler w/ Dual Trajectory	128
INF35 Series Golf Sprinkler w/ Dual Trajectory	130
INF35-6 Series Golf Sprinkler w/ 24-Pos TruJectory	132
INFINITY Series 1 Inch Golf Sprinkler Body	134
INFINITY Series 1.5 Inch Golf Sprinkler Body	136
834S Series Sprinkler - Pre-August 2007	138
834S Series Sprinkler - August 2007-2014	140
835S Series Sprinklers	142
835B Series Sprinkler	144
854S Series Sprinkler - Pre-2007	146
854S Series Sprinkler - August 2007 - 2014	148
855S Series Sprinkler	150
855S Series Ribless Body, Conversion Assembly	152
860S Series Sprinkler	154
880S Series Sprinkler	156
730 Series	158
760 Series Golf Sprinkler	160
650 Series	162
750 Series Golf Sprinklers	164
780 Series Golf Sprinklers	166
780 Series Ribless Body Conversion Assembly	168
670 Series Golf Sprinkler	170
690 Series Golf Sprinkler	172
Golf Sprinkler Body, 1" - 600 and 700 Series	174
Golf Sprinkler Body, 1" - Flex, 800S and DT	176
Golf Sprinkler Body, 1" - INFINITY Series	178
Golf Sprinkler Body, 1.5" - 600 and 700 Series	180
Golf Sprinkler Body, 1.5" - Flex, 800S and DT	182
Golf Sprinkler Body, 1.5" - INFINITY Series	184
Pilot Valve, Select Pressure, 2004-03/2019	186
Pilot Valve, Fixed Pressure - 600 and 700 Series	188
Pilot Valve, FLEX, Select Pressure, 04/2019-Present	190
Pilot Valve, INFINITY Series, 2014-7/2019	192
Pilot Valve, INFINITY, 07/2019-Present	193
Quick Coupler	194
TPV Series Valve, 1 Inch Female	196
TPV Series Valve, 1 Inch Male	198
EZ-Flo Plus Series, 1 Inch Male	200
EZ-Flo Plus Series, 1 Inch Female	202
EZ-Flo Plus Series, 1 Inch Angle	204
EZ-Flo Plus AVB Series, 3/4 Inch and 1 Inch	206
264 Series, 3/4" Valve	208
264 Series, 1" Valve	210
254 Series, 1" Valve	212
250 Series, 1" Valve	214

Contents (continued)

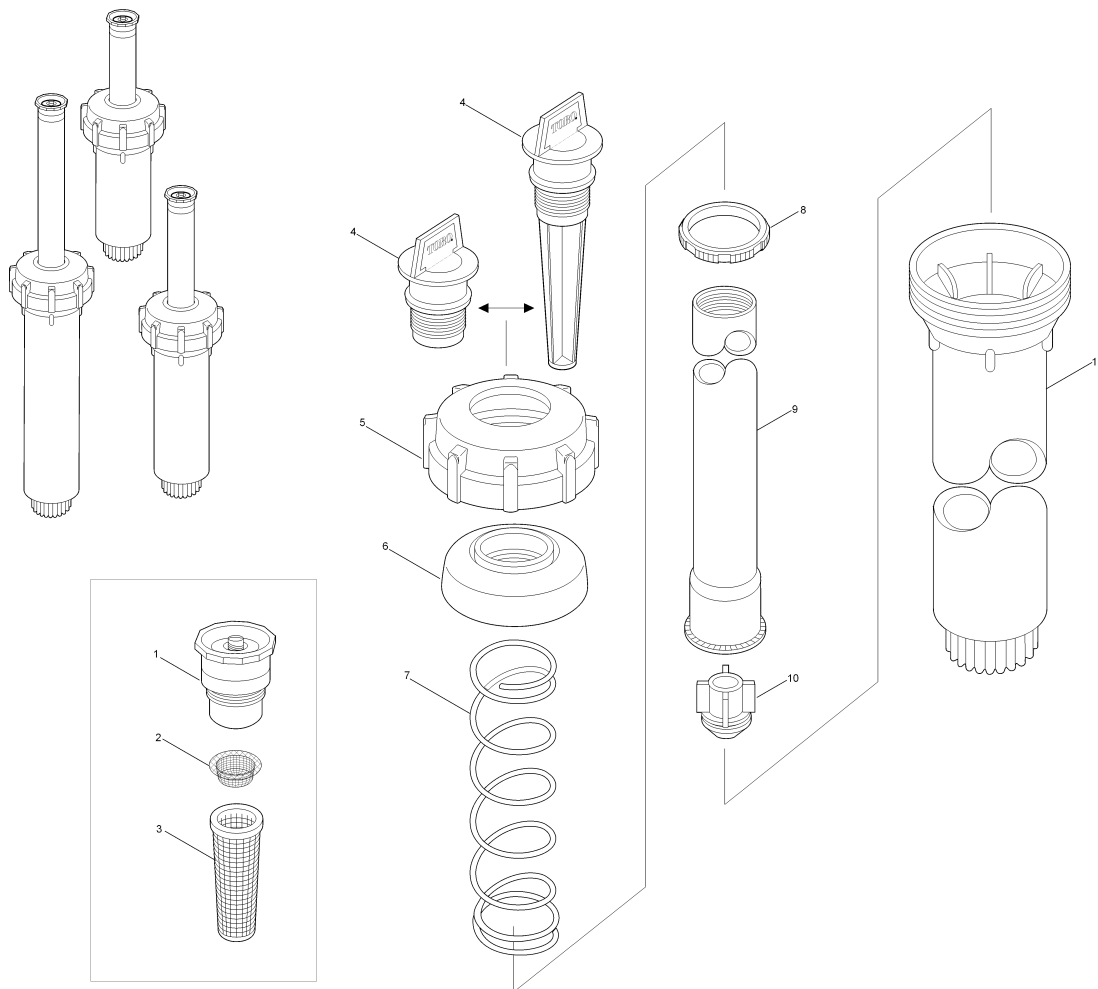
260 Series, 1" Valve.....	216
252 Series, 1" Valve.....	218
252 Series, 1.5" Valve (Sheet 1 of 2).....	220
252 Series, 1.5" Valve (Sheet 2 of 2).....	222
252 Series, 2" Valve (Sheet 1 of 2).....	224
252 Series, 2" Valve (Sheet 2 of 2).....	226
220 Series, 2.5" and 3" Valves.....	228
P-220, P-220G and Scrubber Series, 1" Valve.....	230
P-220, P-220G and Scrubber Series, 1.5" Valve.....	232
P-220, P-220G and Scrubber Series, 2" Valve.....	234
P-220 and Scrubber Series, 3" Valve.....	236
220, 220G Series, 1" Valve, Pressure Reg.....	238
220, 220G Series, 1.25" and 1.5", Pressure Reg.....	240
220, 220G Series, 2" Valve, Pressure Reg.....	242
2-Way Pilot Valve.....	244
Manual Valve Actuator.....	245
3-Way Actuator.....	246
3-Way Actuator, (NC).....	247
Electric-Hydraulic Converter Module Assembly.....	248
Flow Gauge, 995-01.....	249
EVOLUTION Controller.....	250
TIS-612 - Indoor Controller.....	252
TIS-612 - Outdoor Controller.....	254
TIS-240 - Outdoor Controller.....	256
TIS-360/480 Outdoor Controller, Metal Cabinet.....	258
TMC-424E - 4 through 24 Stations, Modular.....	260
TMC-212 - Indoor Controller.....	262
TMC-212 Outdoor and Outdoor High Surge Cntrlr.....	264
GreenKeeper 212 - Indoor Controller.....	266
GreenKeeper 212 - Outdoor Controller.....	268
TDC 2-Wire Decoder System.....	270
TDC 2-Wire Decoder System, Post Aug-2012.....	272
Sentinel Central Control System.....	274
Sentinel Satellite - Wall Mount.....	276
Sentinel Satellite - Pedestal Mount.....	278
Sentinel Remote Transceiver.....	280
Sentinel Map To Assy - Sm Metal Wall Mt.....	282
Sentinel Map To Assy - Plastic Pedestal Cabinet.....	284
Sentinel Two-Wire Decoder - Wall Mount.....	286
Sentinel WS1, Conventional and Wireless Models.....	288
Sentinel WS3, Conventional and No Keypad Models.....	290
Sentinel WS5, Conventional and Wireless Models.....	292
Sentinel PS1, Conventional and Wireless Models.....	294
Sentinel PP1, PP2 and PP3.....	296
Sentinel V3 Control Module.....	298
Sentinel 2-Wire Decoder.....	300
Sentinel WS1, AC Two-Wire.....	302
Sentinel WS5, AC Two-Wire.....	304
Sentinel PS1, AC Two-Wire.....	306
Sentinel PP1, PP2 and PP3 - AC Two-Wire.....	308
Custom Command 9 through 24 Station - Plastic.....	310
Custom Command 12-24 Station - Metal Cabinet.....	312
Custom Command 36 and 48 Stn - Metal Cabinet.....	314
Custom Command 48 Station.....	316

Contents (continued)

SitePro Field Interface Unit (FIU)	318
TouchNet For OSMAC	320
Touch Net For Network LTC Plus Satellite	322
GDC - Stand-Alone, PC Models, 2-Wire Decoder Sys	324
Lynx Smart Hub Parts Breakout	326
Lynx Smart Hub - Wires	328
Lynx Smart Satellite	330
Lynx Smart Satellite - Power Supply	332
Network VP and VPE - Plastic Cabinet	334
Network VP and VPe - 2013 and Later	336
Network VP and VPE - Internal Components	338
Network VP and VPE - Power Supply	340
Network 8000 Sat., Plastic Cabinet, Int. Components	342
Network 8000 Sat., Plastic Cabinet, 24V Output	344
Network 8000 Sat., Plastic Cabinet, AC/DC PS	346
Network 8000 Sat., Plastic Cabinet, Power Supply	348
Network 8000 Sat., Lrg. Stainless Pedestal (1 of 2)	350
Network 8000 Sat., Lrg. Stainless Pedestal (2 of 2)	352
Network 8000 Sat., Small, Green Stainless Pedestal	354
Network 8000 Satellite Control Panel Assembly	358
Network DR2 Satellite - Metal Cabinet (Late Model)	360
Network DR2 Satellite - Plastic Cabinet	362
Network DR2 Satellite (Early Model)	364
Network LTC 1.0 Satellite - Wall Mount Cabinet	366
Network LTC Satellite 1.0 - Taper-top Cabinet	368
Network LTC Satellite 2.0 - Metal Cabinet (1 of 3)	370
Network LTC Sat. 2.0, Network DR2 PS Assy (3 of 3)	372
Network LTC Satellite 2.0 - Plastic Cabinet (2 of 3)	374
Network LTC Plus Sat. - Internal Components	376
Network LTC Plus Satellite 4.0, Metal Cabinet	380
Network LTC Plus Sat. - Internal Components	382
Network LTC Plus Radio Assembly	386
N. LTC Plus, Power Supply, Early Model	388
Power Supply, N. LTC Plus and E-Series OSMAC	390
OSMAC G3 - Satellite 2016-2018	392
OSMAC G3 - Front/Backplate Assembly	394
OSMAC G3 - Satellite, 2019 Model and Newer	396
OSMAC G3 - Power Supply	398
E-Series OSMAC Sat., Narrow, Plastic Cab. (1 Of 3)	400
E-Series OSMAC Sat., Narrow, Metal Cab. (2 of 3)	402
E-Series OSMAC Sat., Narrow (3 Of 3)	404
E-Series OSMAC Sat., Wide, Plastic Cab. (1 of 3)	406
E-Series OSMAC Sat., Wide Metal Cab. (2 of 3)	408
E-Series OSMAC Sat., Wide (3 of 3)	410
Power Supply, N. LTC Plus and E-Series OSMAC	412
OSMAC Satellite - 8 x 13 Metal Ped., Electric	414
OSMAC Satellite - 8 x 13 Metal Ped., Hydraulic	416
OSMAC Satellite - 13 x 13 Metal Ped, Electric	418
OSMAC Satellite - 13 x 13 Metal Ped, Hydraulic	420
OSMAC Satellite - Plastic Pedestal, Electric	422
OSMAC Satellite - Plastic Pedestal, Hydraulic	424
OSMAC RDR - Model RDR0160LVNO	426
OSMAC RDR - Model RDR0160LVCE	427
OSMAC RDR Unit - Power Supply Assembly	428

Contents (continued)

Plastic Satellite Pedestal 2006 And Earlier Models 430
Plastic Satellite Pedestal 2007-2010 Models 432
Plastic Satellite Pedestal 2011 and Later 434

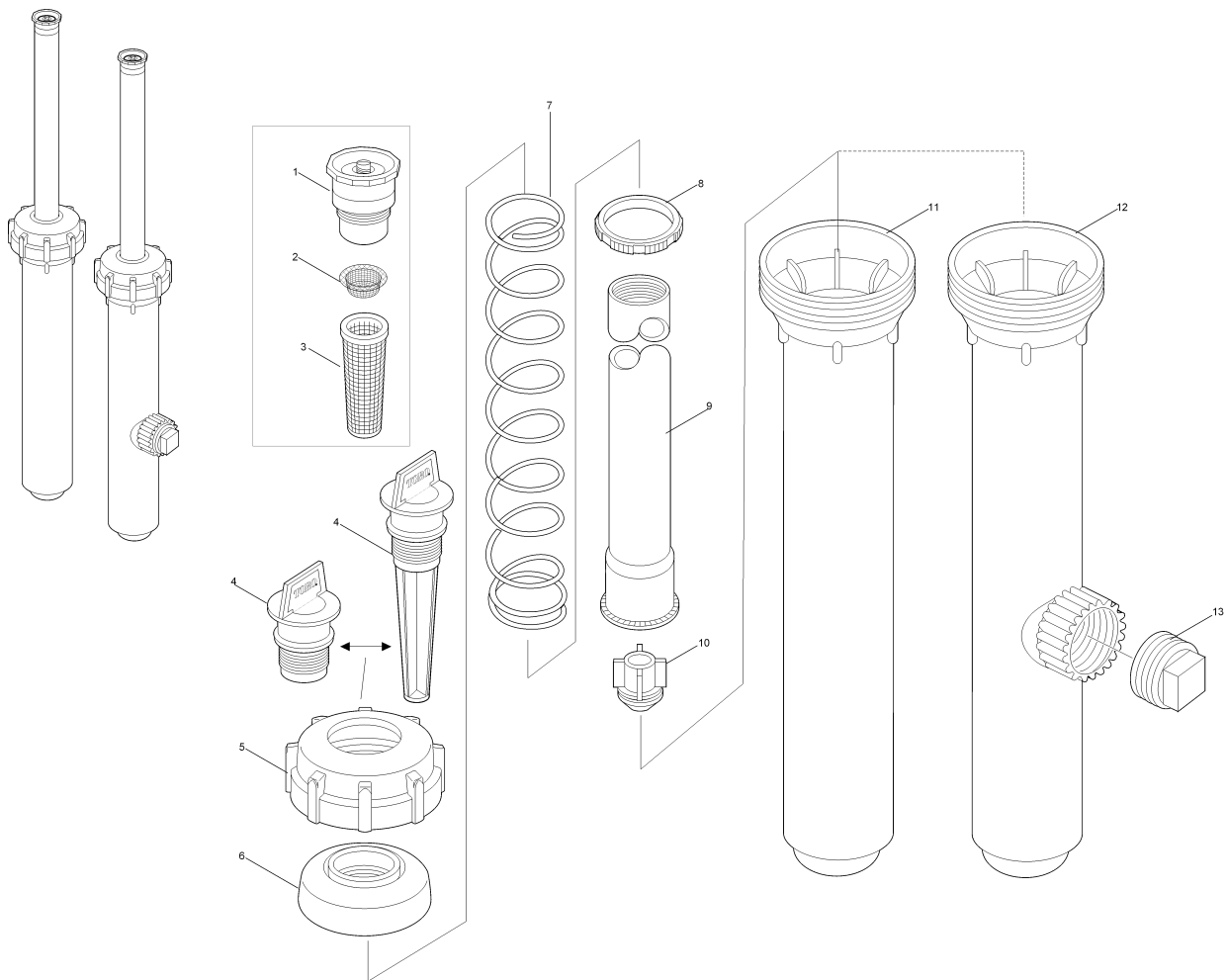


570Z 2-4

Ref.	Part Number	Qty.	Description	Ref.	Part Number	Qty.	Description
1		1	Nozzle ▲ ◆	9	89-0969	1	Riser, 4"
2	89-5548	1	Screen, Filter, Sst	10	570CV	1	One Piece Check Valve, White
3	9-5112	1	Screen, Riser, White, Plastic, Regular Mesh	11	89-5641	1	Body, 2P
3	89-8738	1	Screen, Riser, Red, Plastic, Fine Mesh	11	89-0966	1	Body, 3P
4	102-2178	1	Flush Cap	11	89-0968	1	Body, 4"
4	102-0621	1	Flush Plug, Prx & Xf		89-3997		Cap Assy. (Includes Items 5 & 6) ● ■
5	89-3747	1	Cap, 570		102-1211		Cap, Lavender (Includes Items 5 & 6) ● ■
5	102-1211	1	Cap And Seal, Lavender (Includes Items 5 And 6)		102-0971		Prx Riser Assy., 4P (Includes Items 4 & 9) ● ■
6	570SEAL	1	Seal, Cap, White		102-0973		Prx Riser Assy., 4P, Com (Includes Items 4, 9 & 10) ● ■
7	89-5640	1	Spring, 570-2LP		102-3994		Xf Riser Assy., 4P (Includes Items 4 & 9) ● ■
7	89-5920	1	Spring, 570-2P, Com		102-3995		Xf Riser Assy., 4P, Com (Includes Items 4, 9 & 10) ● ■
7	35-4879	1	Spring, 570-3LP				
7	35-9631	1	Spring, 570-3P, Com				
7	35-3077	1	Spring, 570-4LP				
7	35-9632	1	Spring, 570-4P, Com				
8	89-0463	1	Ring, Ratchet				
9	89-5642	1	Riser, 2P				
9	89-0967	1	Riser, 3P				

● SERVICE ITEMS
▲ See 570 Nozzles

■ Not illustrated
◆ Not serviced separately



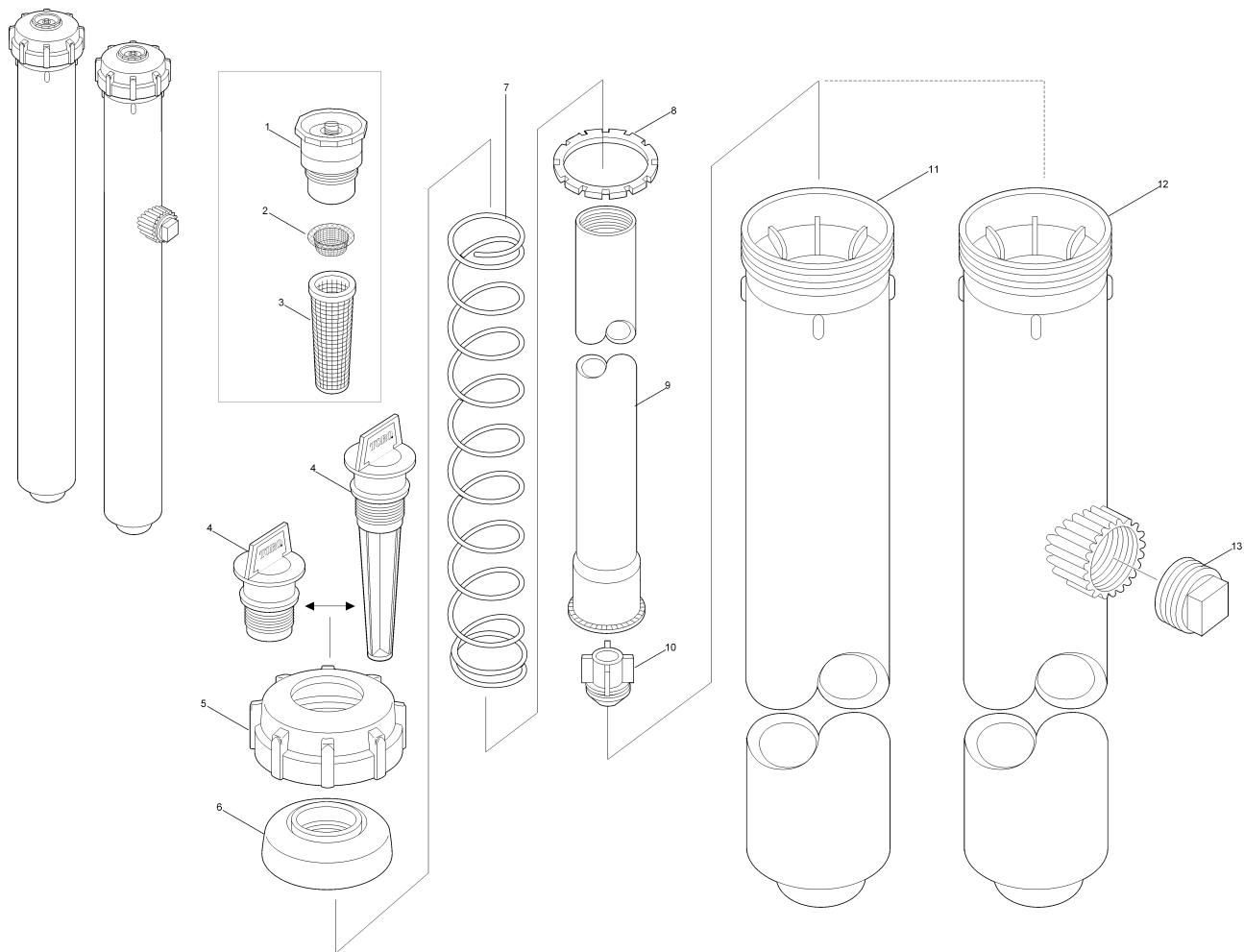
570Z-6

Ref.	Part Number	Qty.	Description
1		1	Nozzle ▲ ◆
2	89-5548	1	Screen, Filter, Sst
3	9-5112	1	Screen, Riser, White, Plastic, Regular Mesh
3	89-8738	1	Screen, Riser, Red, Plastic, Fine Mesh
4	102-2178	1	Flush Cap
4	102-0621	1	Flush Plug, Prx & Xf
5	89-3747	1	Cap, 570
5	102-1211	1	Cap And Seal, Lavender (Includes Items 5 And 6)
6	570SEAL	1	Seal, Cap, White
7	35-4874	1	Spring, Return, 570-6LP
7	35-9633	1	Spring, Return, 570-6P Com
8	89-0463	1	Ring, Ratchet
9	89-0856	1	Riser, 6"
10	570CV	1	One Piece Check Valve, White
11	89-0970	1	Body, 6"
12	89-0857	1	Body, 6P ,Si

Ref.	Part Number	Qty.	Description
13	363-3125	1	Plug
	89-1245		Body Assy., 6P, Si W/Plug (Includes Item 12 & 13) ● ■
	89-3997		Cap Assy. (Includes Items 5 & 6) ● ■
	89-8256		Cap Assy., Com (Includes Items 5 & 6) ● ■
	102-1211		Cap, Lavender (Includes Items 5 & 6) ● ■
	102-0972		Prx Riser Assy., 6P (Includes Items 4 & 9) ● ■
	102-0974		Prx Riser Assy., 6P, Com (Includes Items 4, 9 & 10) ● ■
	102-3996		Xf Riser Assy., 6P (Includes Items 4 & 9) ● ■
	102-3997		Xf Riser Assy., 6P, Com (Includes Items 4, 9 & 10) ● ■

● SERVICE ITEMS
▲ See 570 Nozzles

■ Not illustrated
◆ Not serviced separately



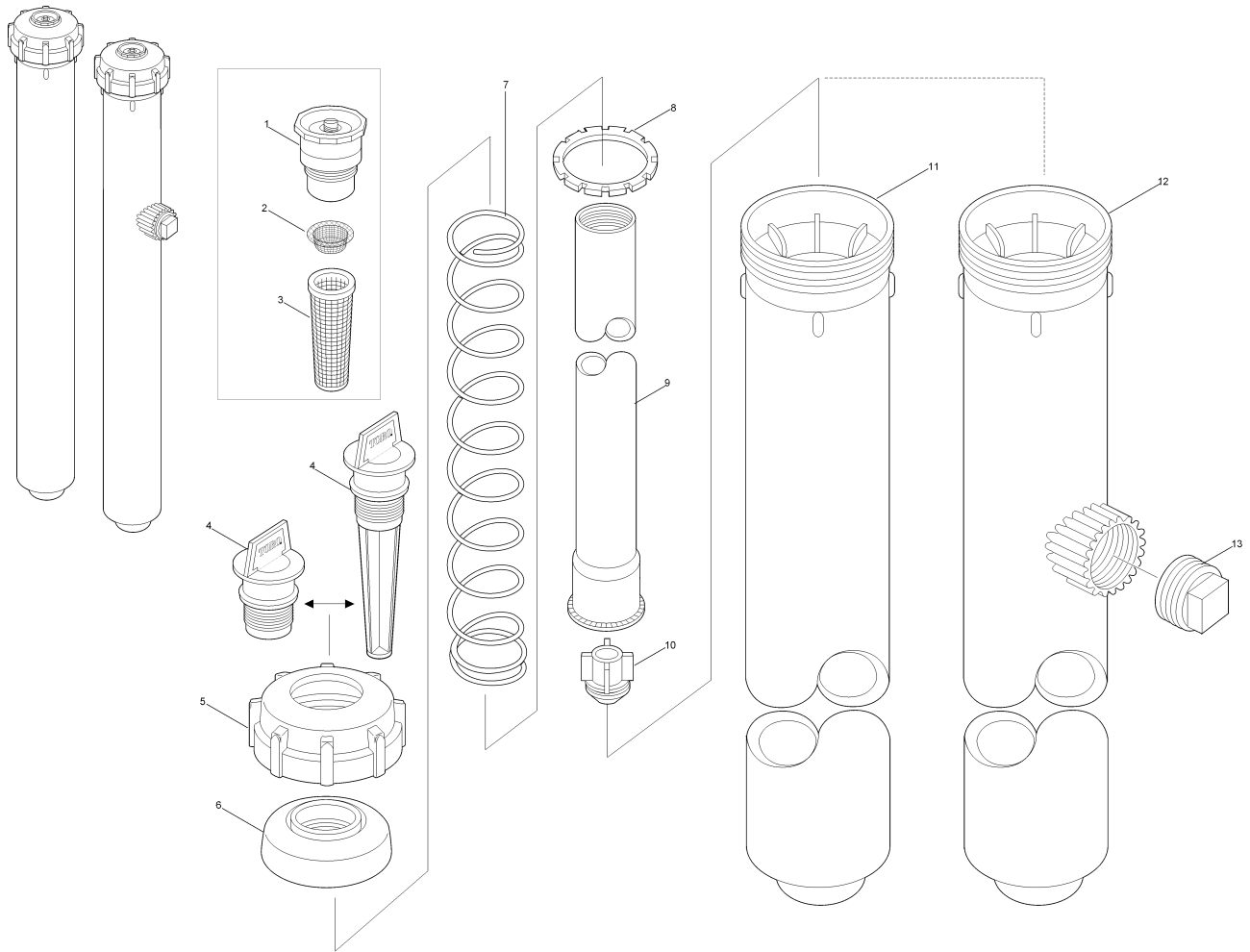
570Z-12

Ref.	Part Number	Qty.	Description
1		1	Nozzle ▲ ◆
2	89-5548	1	Screen, Filter, Sst
3	9-5112	1	Screen, Riser, White, Plastic, Regular Mesh
3	89-8738	1	Screen, Riser, Red, Plastic, Fine Mesh
4	102-2178	1	Flush Cap
4	102-0621	1	Flush Plug, Prx & Xf
5	89-3747	1	Cap, 570
5	102-1211	1	Cap And Seal, Lavender (Includes Items 5 And 6)
6	570SEAL	1	Seal, Cap, White
7	35-6872	1	Spring, Return, 570-12LP
7	35-9634	1	Spring, Return, 590G-12 Com
8	89-0855	1	Ring, Ratchet
8	89-0433	1	Ring, Ratchet, Si
9	102-1246	1	Riser, 12"
10	570CV	1	One Piece Check Valve, White

Ref.	Part Number	Qty.	Description
11	9-7236	1	Body, 12"
12	35-9322	1	Body, 12P, Si
13	363-3125	1	Plug
	89-3997		Cap Assy. ● ■
	102-1211		Cap, Lavender (Includes Items 5 & 6) ● ■
	102-2917		Prx Riser Assy., 12P (Includes Items 4 & 9) ● ■
	102-2918		Prx Riser Assy., 12P Com (Includes Items 4, 9 & 10) ● ■
	102-3998		Xf Riser Assy., 12P (Includes Items 4 & 9) ● ■
	102-3999		Xf Riser Assy., 12P Com (Includes Items 4, 9 & 10) ● ■
	102-4545		Cap & Riser Kit, 570-12P ● ■
	102-4546		Cap & Riser Kit, 570 Side Inlet-12P ● ■

● SERVICE ITEMS
▲ See 570 Nozzles

■ Not illustrated
◆ Not serviced separately

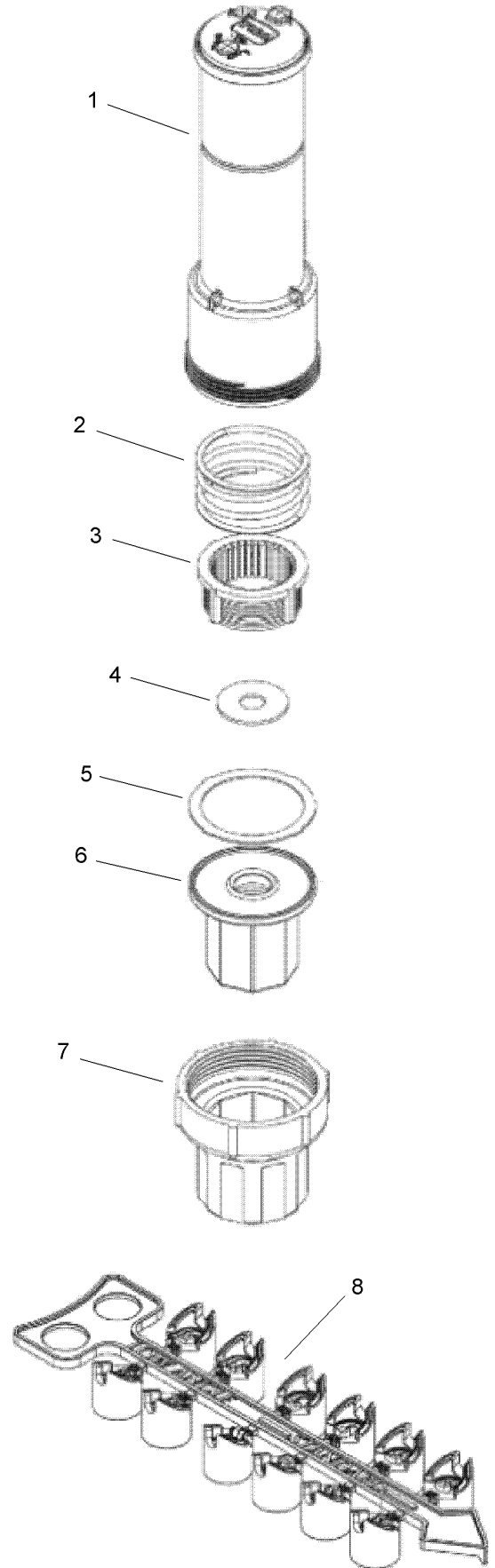
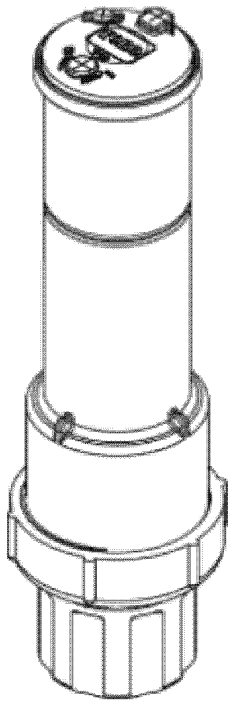


570Z-12 (continued)

● SERVICE ITEMS
▲ See 570 Nozzles

■ Not illustrated
◆ Not serviced separately

T5 and T5 RapidSet, Shrub



T5 and T5 RapidSet, Shrub (continued)

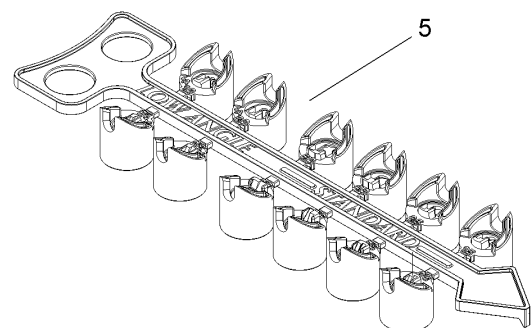
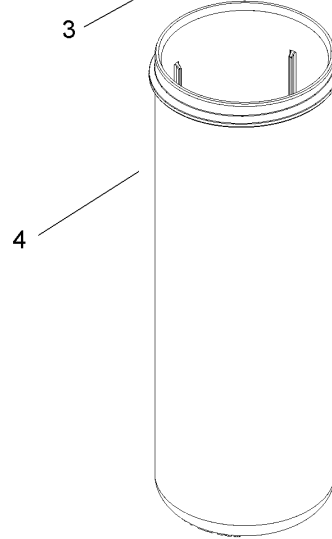
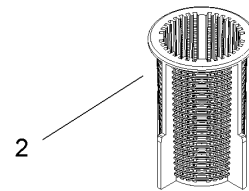
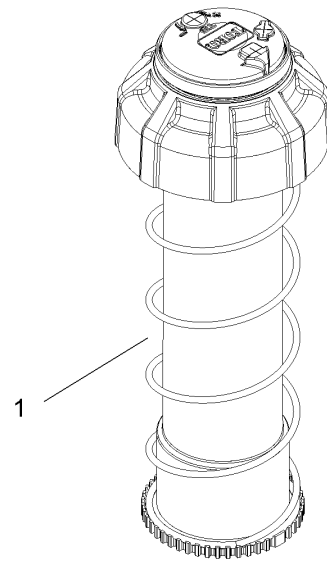
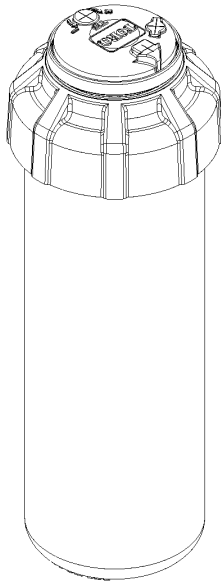
<i>Ref.</i>	<i>Part Number</i>	<i>Qty.</i>	<i>Description</i>	<i>Ref.</i>	<i>Part Number</i>	<i>Qty.</i>	<i>Description</i>
1	T5S-RS	1	Shrub Body Assembly ▲	6	102-0577	1	Threaded Insert, 3/4" & 1/2", Com
2	102-0579	1	Spring	7	89-8305	1	Base, Shrub
3	102-0575	1	Screen	8	102-6499	1	Nozzle Tree
4	89-7561	1	Seal, Check, Com		102-7194		Adjustment Tool ●■
5	9-5211	1	Seal				

● SERVICE ITEMS

▲ Order Through Finished Goods Distribution System - Minneapolis

■ Not illustrated

T5 and T5 RapidSet, Lawn



T5 and T5 RapidSet, Lawn (continued)

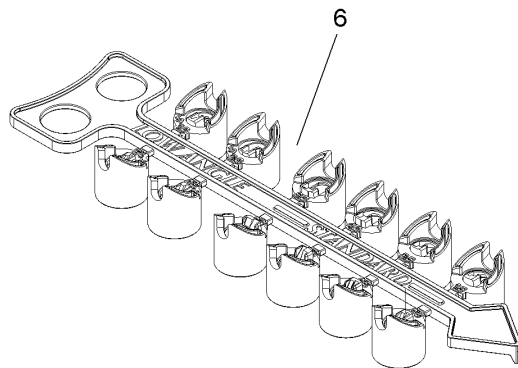
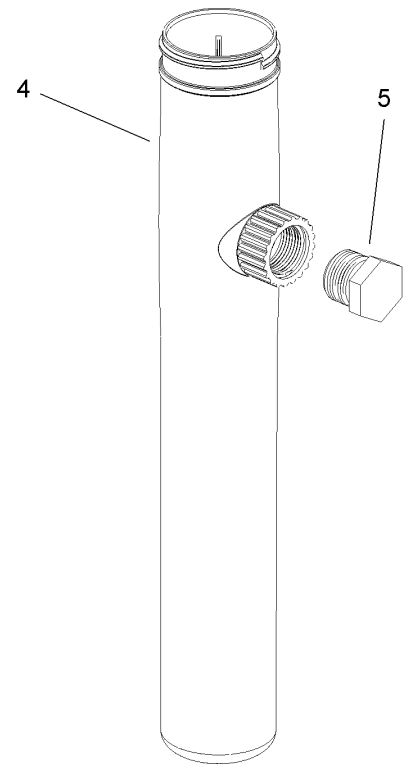
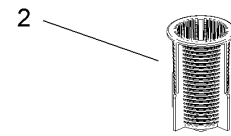
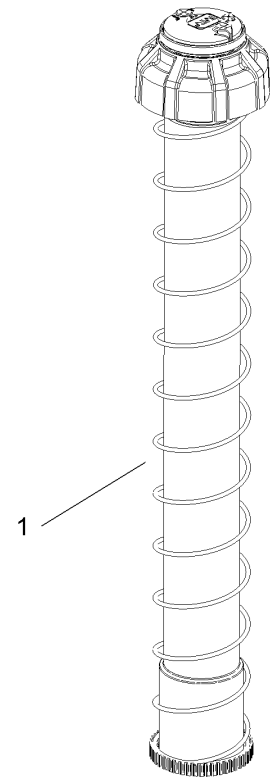
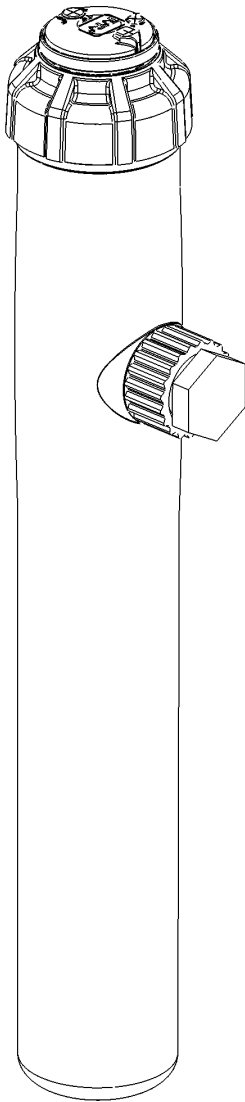
<i>Ref.</i>	<i>Part Number</i>	<i>Qty.</i>	<i>Description</i>	<i>Ref.</i>	<i>Part Number</i>	<i>Qty.</i>	<i>Description</i>
1	T5P-RS	1	Riser Assembly ▲	4	102-6349	1	Body
2	102-6358	1	Screen	5	102-6499	1	Nozzle Tree
3	89-7561	1	Check Seal (Optional, Not Included With The Riser Assembly)		102-7194		Adjustment Tool ●■

● SERVICE ITEMS

▲ Order Through Finished Goods Distribution System - Minneapolis

■ Not illustrated

T5 and T5 RapidSet, High-Pop



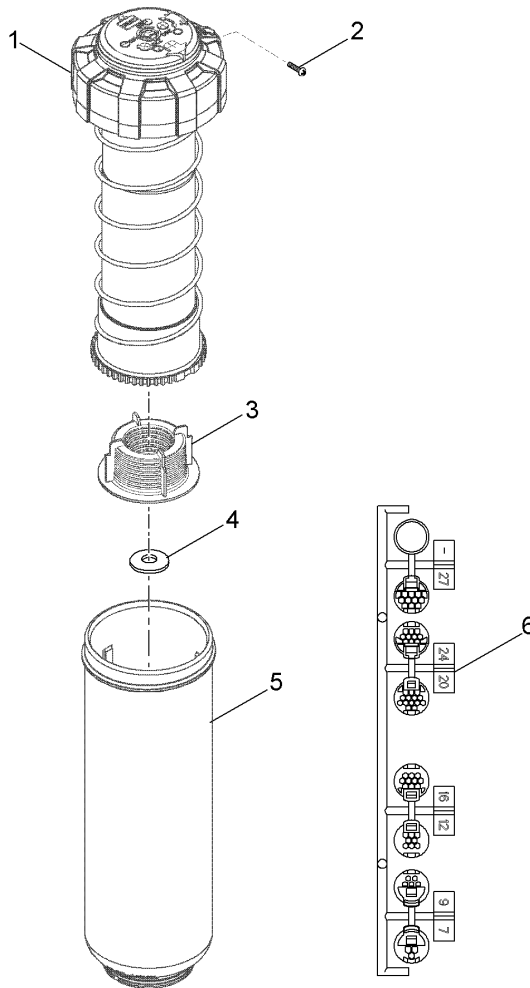
T5 and T5 RapidSet, High-Pop (continued)

<i>Ref.</i>	<i>Part Number</i>	<i>Qty.</i>	<i>Description</i>
1	T5HP-RS	1	Riser Assembly ▲
2	102-6358	1	Screen
3	89-7561	1	Check Seal (Optional, Not Included With The Riser Assembly)

<i>Ref.</i>	<i>Part Number</i>	<i>Qty.</i>	<i>Description</i>
4	102-6501	1	Body
5	363-3779	1	Plug, 3/4" Npt Male
6	102-6499	1	Nozzle Tree
	102-7194		Adjustment Tool ●■

● SERVICE ITEMS
 ▲ Order Through Finished Goods Distribution System - Minneapolis

■ Not illustrated



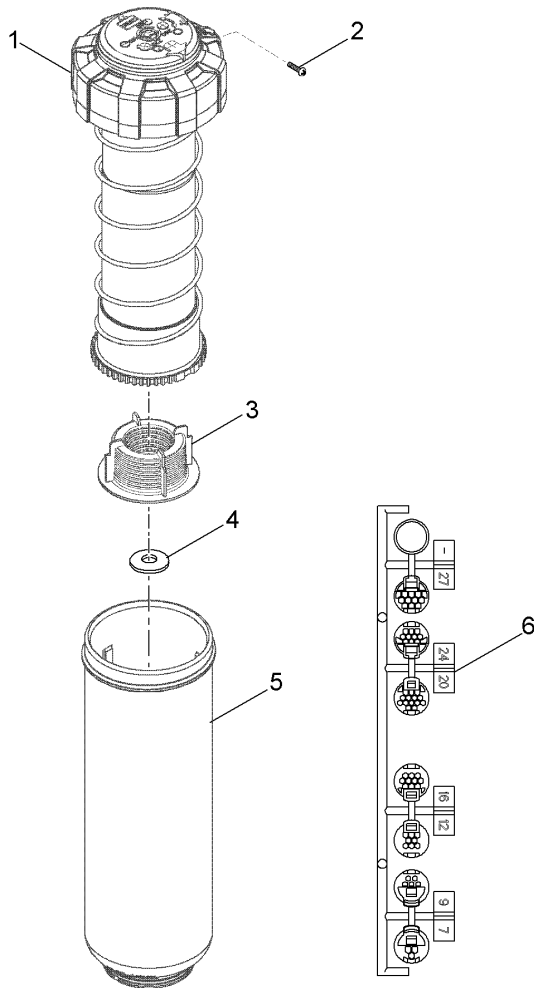
T7

Ref.	Part Number	Qty.	Description
1		1	Riser Assembly, T7 (Order Complete Sprinkler) ▲ ■
2	102-2406	1	Set Screw, Cap
3	102-3857	1	Screen
4	89-9183	1	Seal, Check
5	118-1718	1	Body Assembly, 1", Acme
5	102-4465	1	Body Assembly, 1", Npt
5	102-3851	1	Body Assembly, 1", BSP
6	102-2633	1	Tree, Nozzle, T7, Stamped, High Flow ▲
6	102-1877	1	Tree, Nozzle, T7, Low Flow ▲
	102-6527	1	Adjustment Tool ●

● Not illustrated

■ Not serviced separately

▲ Order Through Finished Goods Distribution System - Minneapolis

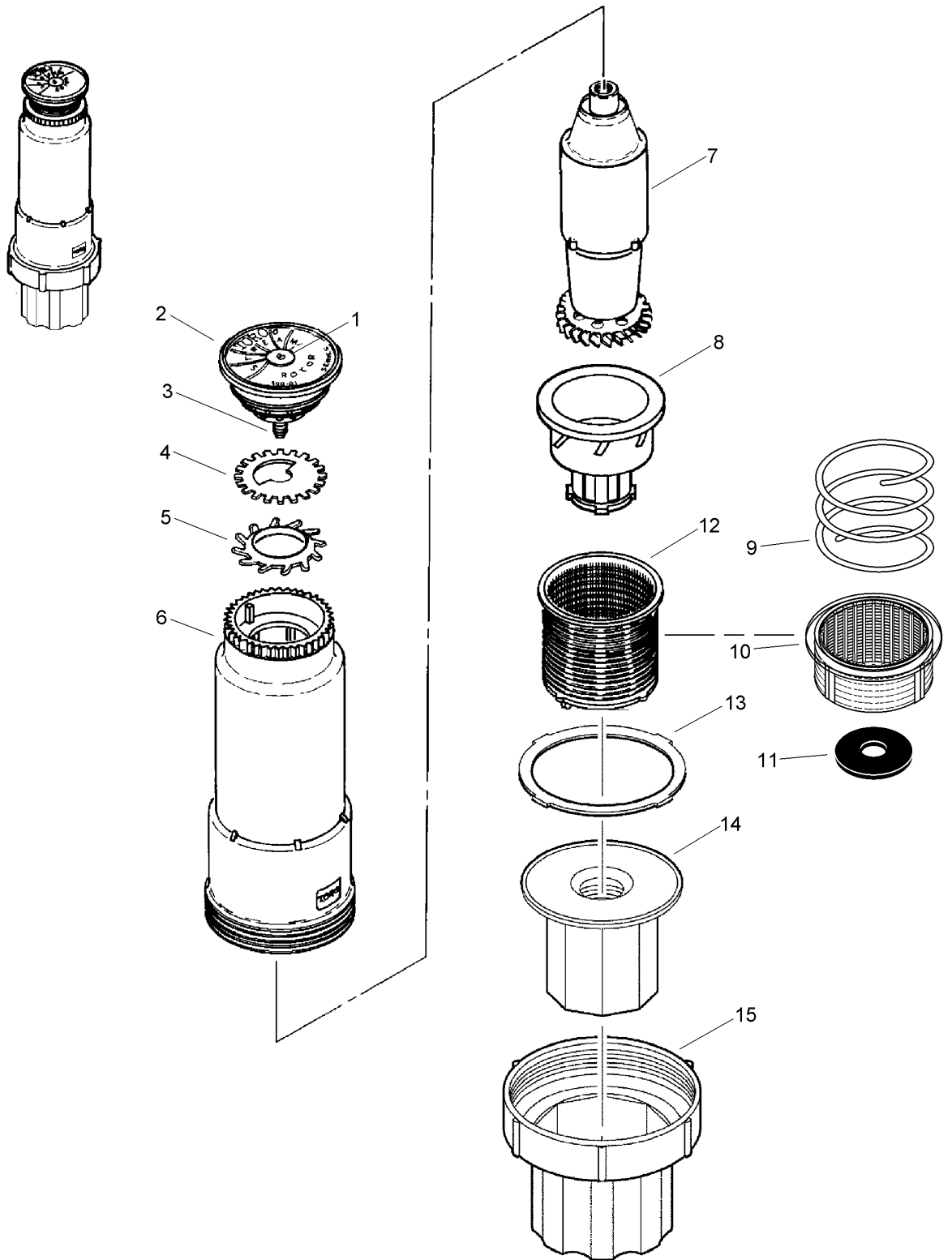


T7 (continued)

● Not illustrated
 ▲ Order Through Finished Goods Distribution System - Minneapolis

■ Not serviced separately

300 Shrub



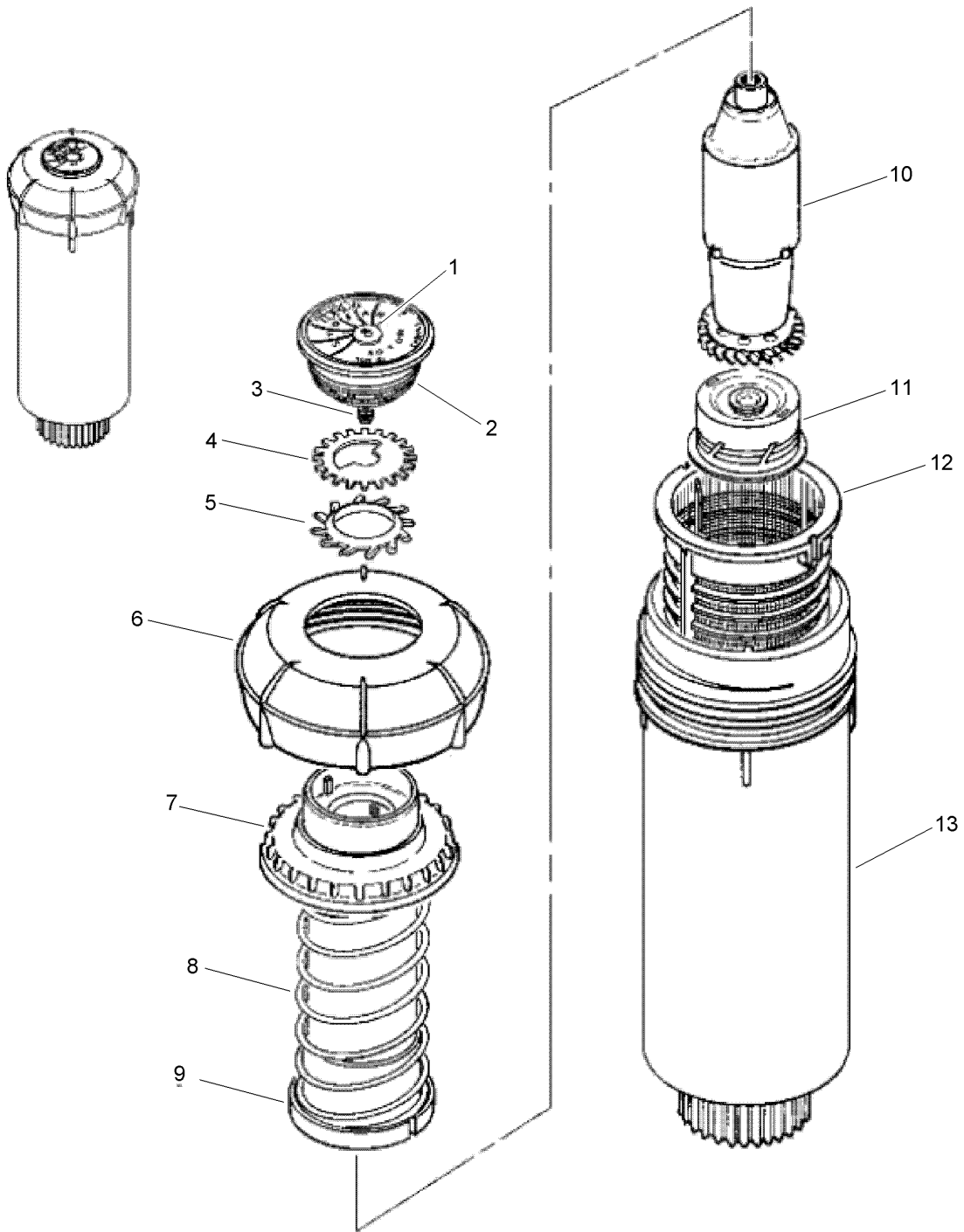
300 Shrub (continued)

<i>Ref.</i>	<i>Part Number</i>	<i>Qty.</i>	<i>Description</i>	<i>Ref.</i>	<i>Part Number</i>	<i>Qty.</i>	<i>Description</i>
1		1	Plug, Cap, Nozzle ▲	9	102-0579	1	Check, Spring
2		1	Nozzle Assy. (Includes Items 1 And 3) ▲	10	102-0575	1	Screen
3	360-0272	1	Screw	11	89-7561	1	Seal, Check, Com
4		1	Disc, Arc ▲	12	9-5212	1	Screen, Basket
5	9-2825	1	Seal, Nozzle	13	9-5211	1	Seal
6	9-5210	1	Body, Shrub	14	89-6094	1	Threaded Insert, 3/4" & 1/2"
7	9-2829	1	Drive Assy., 300 Series	15	9-5699	1	Base, Shrub ▲ Insert, 3/4" ●■
8	89-6929	1	Stator Assy., Shrub				

● SERVICE ITEMS
▲ Not serviced separately

■ Not illustrated

300 Lawn



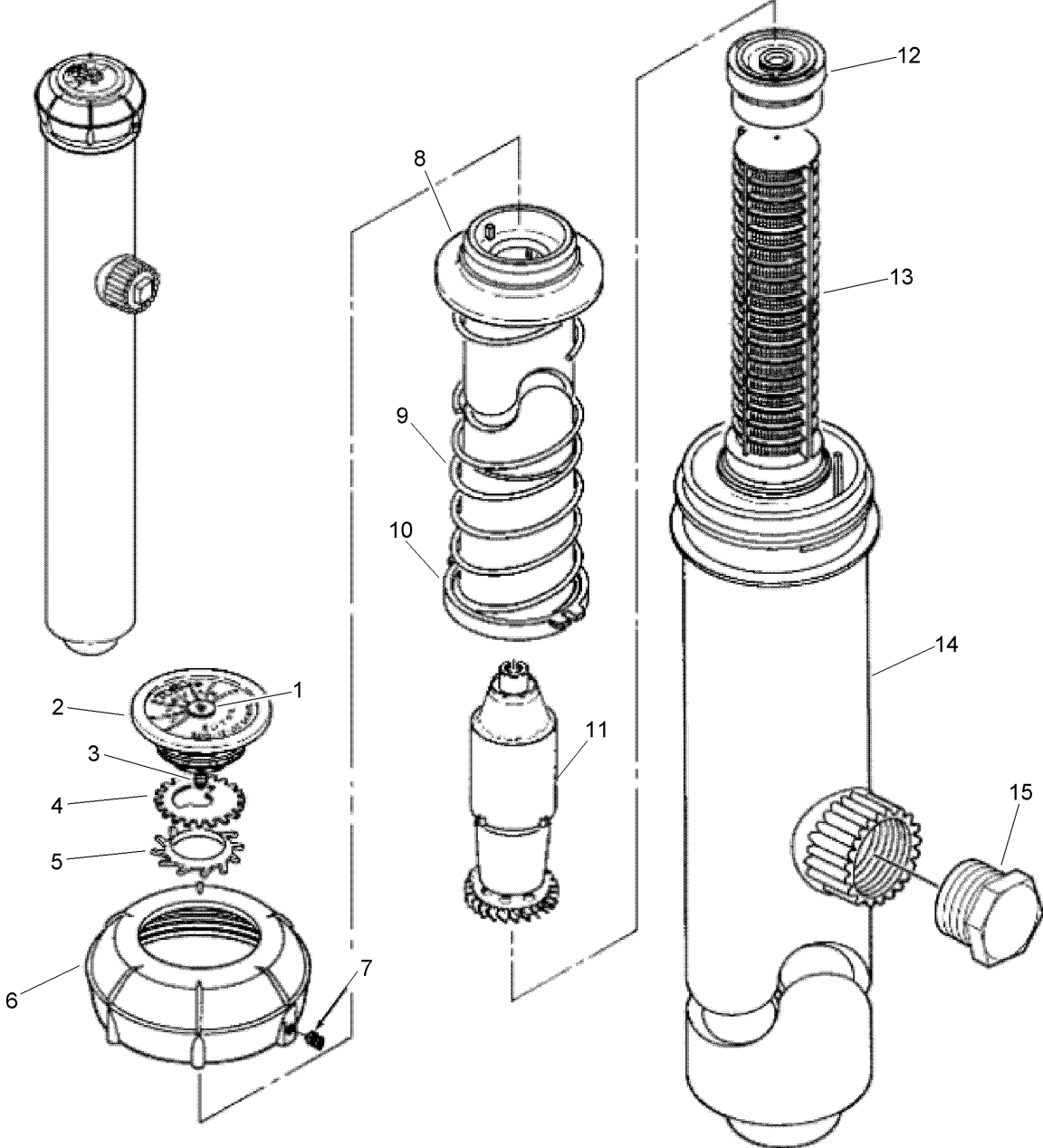
300 Lawn (continued)

<i>Ref.</i>	<i>Part Number</i>	<i>Qty.</i>	<i>Description</i>	<i>Ref.</i>	<i>Part Number</i>	<i>Qty.</i>	<i>Description</i>
1		1	Plug, Cap, Nozzle ▲	8	9-2137	1	Spring, Retraction
2		1	Nozzle Assy. (Includes Items 1 & 3) ▲	9	9-2836	1	Riser
3	360-0272	1	Screw	10	9-2829	1	Drive Assy., 300 Series
4		1	Disc, Arc ▲	11	9-5181	1	Stator Assy.
5	9-2825	1	Seal, Nozzle	12	9-2131	1	Screen, Basket
6	9-4394	1	Cap	13	9-1661	1	Body
7	9-4449	1	Seal, Riser		9-6472	1	Riser Assy. (Includes Items 9, 10 & 11) ■ ●

● SERVICE ITEMS
▲ Not serviced separately

■ Not illustrated

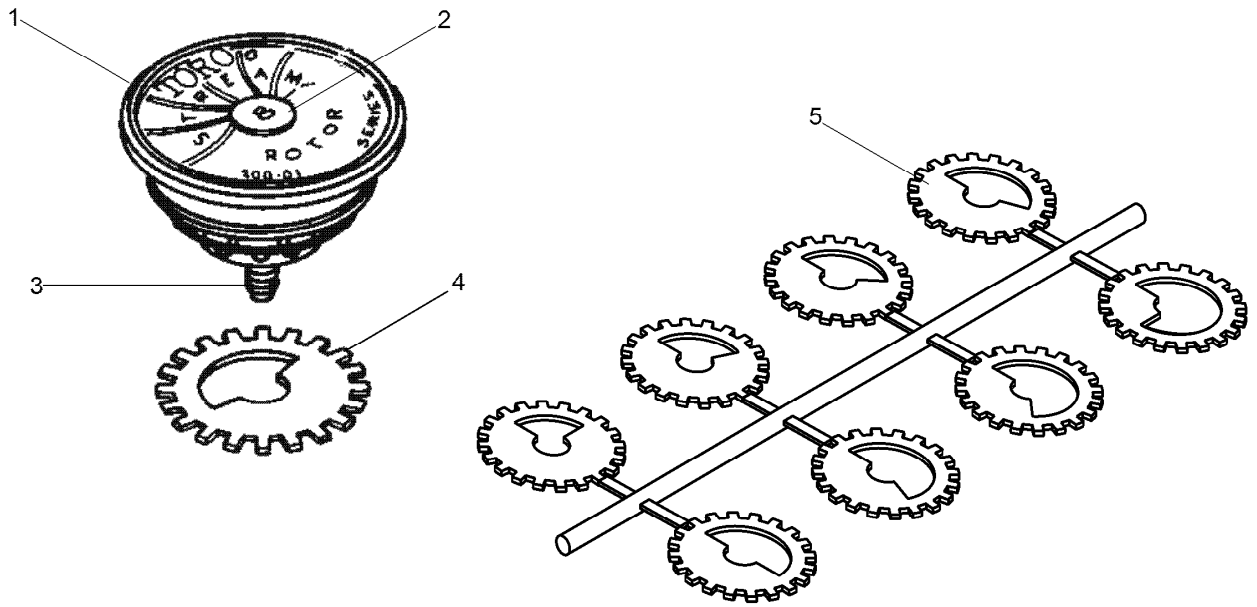
300 High-pop



300 High-pop (continued)

<i>Ref.</i>	<i>Part Number</i>	<i>Qty.</i>	<i>Description</i>	<i>Ref.</i>	<i>Part Number</i>	<i>Qty.</i>	<i>Description</i>
1		1	Plug, Cap, Nozzle ●	8	9-4572	1	Seal, Riser
2		1	Nozzle Assy. (Includes Items 1 & 3) ●	9	35-7579	1	Spring, Retraction
3	360-0272	1	Screw	10	9-4570	1	Riser
4		1	Disc, Arc ●	11	9-2829	1	Drive Assy., 300 Series
5	9-2825	1	Seal, Nozzle	12	9-5683	1	Stator Assy.
6	35-0481	1	Cap Assy., High-Pop (Includes Item 7)	13	9-4571	1	Screen, Basket
7	360-0223	1	Screw-Set, Half-Dog Point, 6-32 X 1/4"	14	89-1960	1	Body
				15	363-3779	1	Plug, 3/4" Npt Male

● Not serviced separately

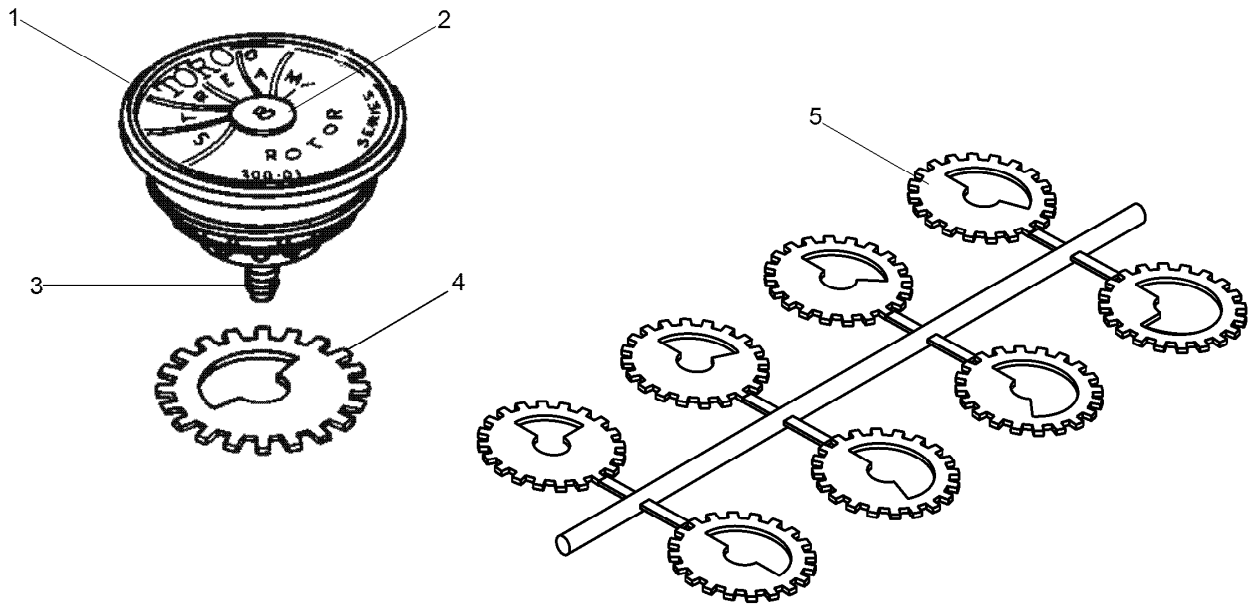


300 and 340 Series Nozzles

Ref.	Part Number	Qty.	Description	Ref.	Part Number	Qty.	Description
1	300-11	1	Nozzle Assy., 01 W/Blank Cap Plug, Bag Of 50 (Includes Items 1-3) ■	1	300-63-12	1	Nozzle Assy., 63 W/Blank Cap Plug, Bag Of 50 (Includes Items 1-3) ■
1	300-12	1	Nozzle Assy., 02 W/Blank Cap Plug, Bag Of 50 (Includes Items 1-3) ■	1	300-93-12	1	Nozzle Assy., 93 W/Blank Cap Plug, Bag Of 50 (Includes Items 1-3) ■
1	300-13	1	Nozzle Assy., 03 W/Blank Cap Plug, Bag Of 50 (Includes Items 1-3) ■	1	300-15	1	Adjustable Stream Rotor Omni Nozzle, Bag Of 25 (Adjustable) ■
1	300-63-1	1	Nozzle Assy., 63 W/Blank Cap Plug, Bag Of 50 (Includes Items 1-3) ■	1	300-25	1	Adjustable Stream Rotor Omni Nozzles Nozzle, Bag Of 25 (Adjustable) ■
1	300-93-1	1	Nozzle Assy., 93 W/Blank Cap Plug, Bag Of 50 (Includes Items 1-3) ■	1	89-1309	1	Cover, Cap, Omni Nozzle Nozzle (Adjustable)
1	300-21	1	Nozzle Assy., 01 W/Blank Cap Plug, Bag Of 50 (Includes Items 1-3) ■	2	9-7048	1	Plug, Cap, Nozzle, Blank
1	300-22	1	Nozzle Assy., 02 W/Blank Cap Plug Nozzle, Bag Of 50 (Adjustable) (Includes Items 1-3) ■	2	89-7889	1	Plug, Cap, Nozzle, Effluent, Lavender
1	300-23	1	Nozzle Assy., 03 W/Blank Cap Plug Nozzle, Bag Of 50 (Includes Items 1-3) ■	3	360-0272	1	Screw
				4	304-00	1	Disc, Arc, 90°, Bag Of 25 ■
				4	305-00	1	Disc, Arc, 112°, Bag Of 10 ■
				4	306-00	1	Disc, Arc, 135°, Bag Of 10 ■
				4	307-00	1	Disc, Arc, 157°, Bag Of 10 ■
				4	308-00	1	Disc, Arc, 180°, Bag Of 25 ■
				4	309-00	1	Disc, Arc, 202°, Bag Of 10 ■
				4	310-00	1	Disc, Arc, 225°, Bag Of 10 ■

● Not illustrated

■ Order Through Finished Goods Distribution System - Minneapolis



300 and 340 Series Nozzles (continued)

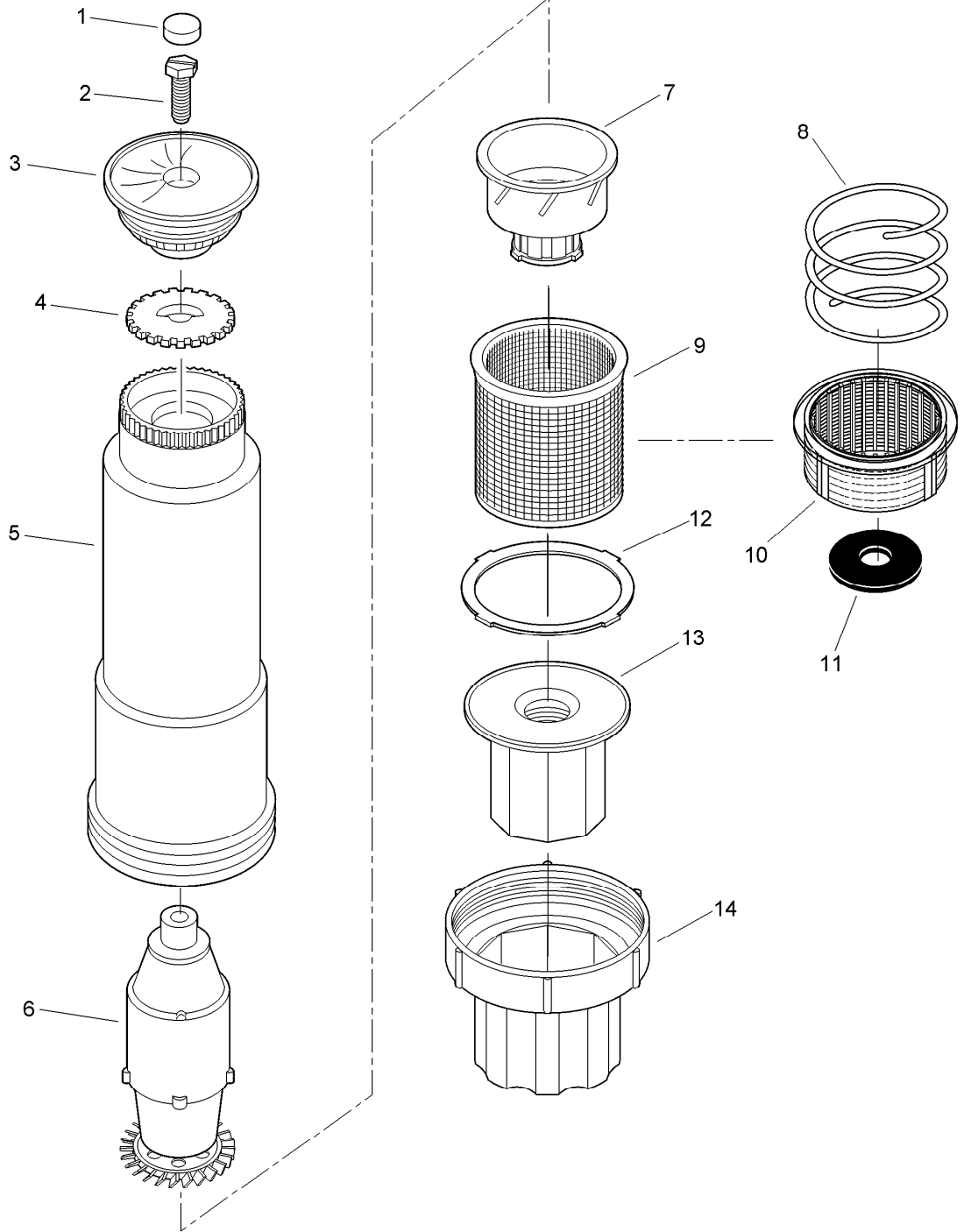
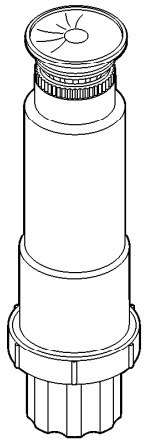
Ref.	Part Number	Qty.	Description
4	312-00	1	Disc, Arc, 270°, Bag Of 10 ■
4	316-00	1	Disc, Arc, 360°, Bag Of 25 ■
5	340-09-SK	1	Tree, Plastic Arc Disc (Includes All Disc) ■
	89-7853	1	Omni Nozzle Cover (Use With 300-15) ■●

Ref.	Part Number	Qty.	Description
	89-7854	1	Omni Nozzle Cover (Use With 300-25) ■●
	89-7889	1	Plug, Cap, Nozzle, Effluent, Lavender ■●

● Not illustrated

■ Order Through Finished Goods Distribution System - Minneapolis

340 Shrub

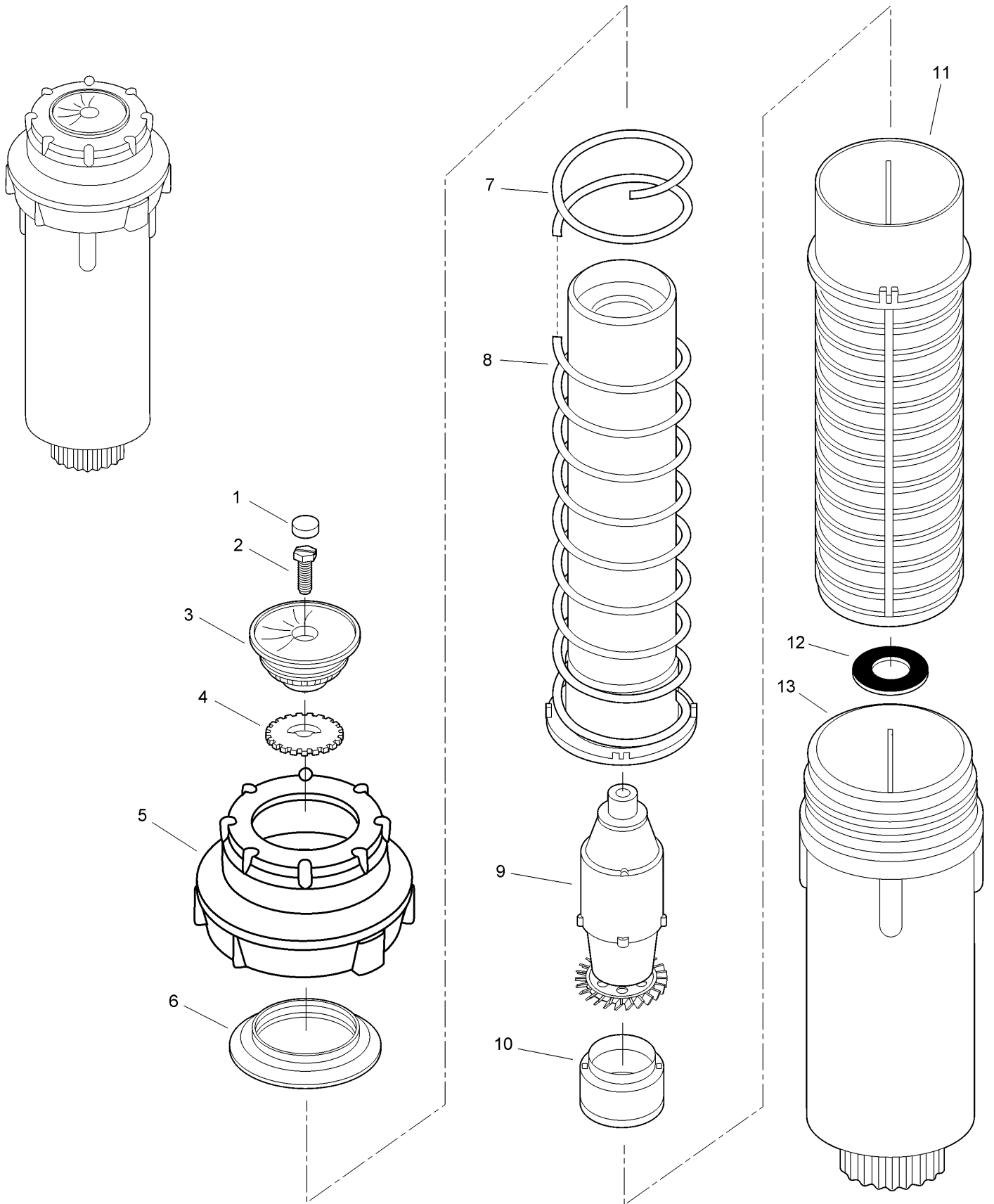


340 Shrub (continued)

<i>Ref.</i>	<i>Part Number</i>	<i>Qty.</i>	<i>Description</i>	<i>Ref.</i>	<i>Part Number</i>	<i>Qty.</i>	<i>Description</i>
1		1	Plug, Cap, Nozzle ●	8	102-0579	1	Check, Spring
2	360-0272	1	Screw	9	9-5212	1	Screen, Basket
3		1	Nozzle Assy. (Includes Items 1 & 2) ●	10	102-0575	1	Screen
4		1	Disc, Arc ●	11	89-7561	1	Seal, Check, Com
5	9-5210	1	Body, Shrub	12	9-5211	1	Seal
6	35-8580	1	Drive Assy., 340/Xp300	13	89-6094	1	Threaded Insert, 3/4" & 1/2"
7	89-6929	1	Stator Assy., Shrub	14		1	Base, Shrub ●

● Not serviced separately

340 Lawn

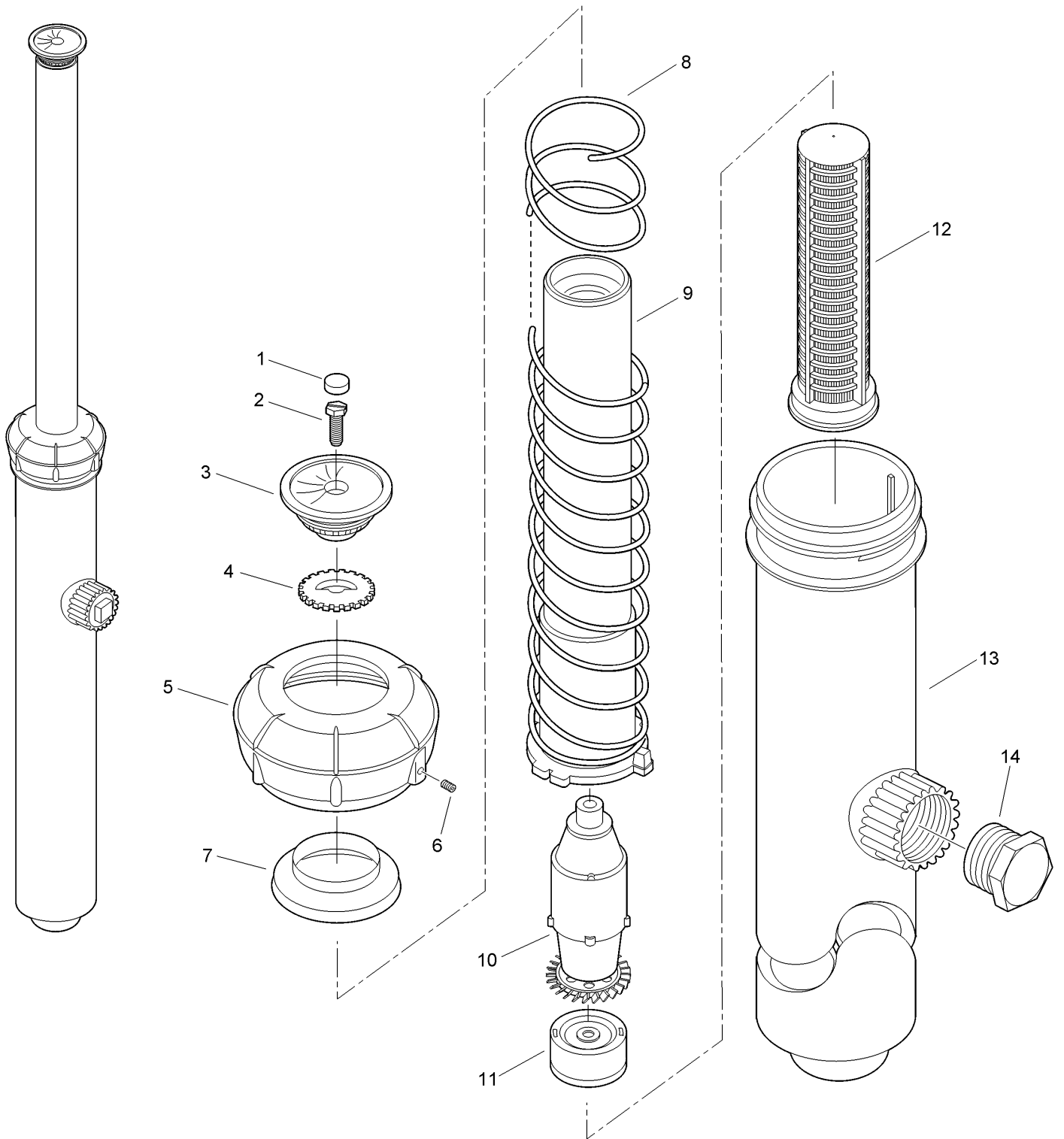


340 Lawn (continued)

<i>Ref.</i>	<i>Part Number</i>	<i>Qty.</i>	<i>Description</i>	<i>Ref.</i>	<i>Part Number</i>	<i>Qty.</i>	<i>Description</i>
1		1	Plug, Cap, Nozzle ●	9	35-8580	1	Drive Assy., 340/Xp300
2	360-0272	1	Screw	10	89-9761	1	Stator Assy., Variable, 340
3		1	Nozzle Assy. (Includes Items 1 & 2) ●				(Includes Service 89-1918 [stator Housing] & 89-1919 [stator Diaphragm])
4		1	Disc, Arc ●	11	89-2036	1	Screen, Basket
5	35-8962	1	Cap, Lawn	12	89-9841	1	Seal, Check
6	89-2037	1	Seal, Riser	13	9-1661	1	Body
7	89-2039	1	Spring, Return				
8	89-2035	1	Riser				

● Not serviced separately

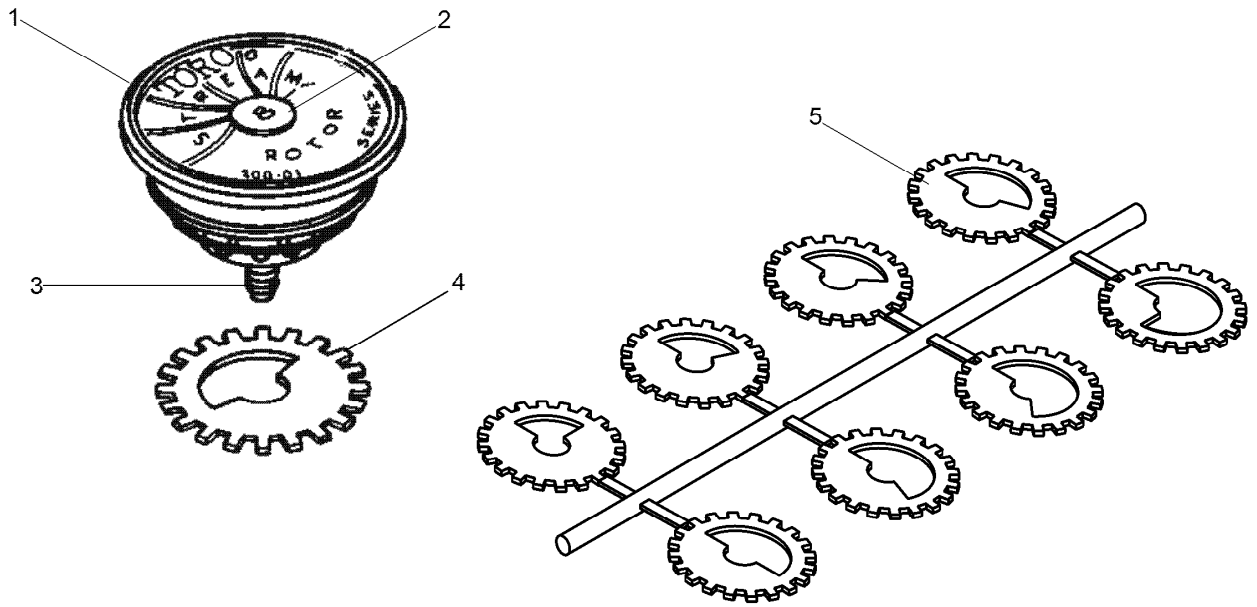
340 High-pop



340 High-pop (continued)

<i>Ref.</i>	<i>Part Number</i>	<i>Qty.</i>	<i>Description</i>	<i>Ref.</i>	<i>Part Number</i>	<i>Qty.</i>	<i>Description</i>
1		1	Plug, Cap, Nozzle ●	7	9-4572	1	Seal, Riser
2	360-0272	1	Screw	8	35-7579	1	Spring, Retraction
3		1	Nozzle Assy. (Includes Items 1 & 2) ●	9	9-4570	1	Riser
4		1	Disc, Arc ●	10	35-8580	1	Drive Assy., 340/Xp300
5	35-0481		Cap Assy., High-Pop, (Includes Item 6)	11	9-5683	1	Stator Assy.
6	360-0223	1	Screw-Set, Half-Dog Point, 6-32 X 1/4"	12	9-4571	1	Screen, Basket
				13	89-1960	1	Body
				14	363-3779	1	Plug, 3/4" Npt Male

● Not serviced separately

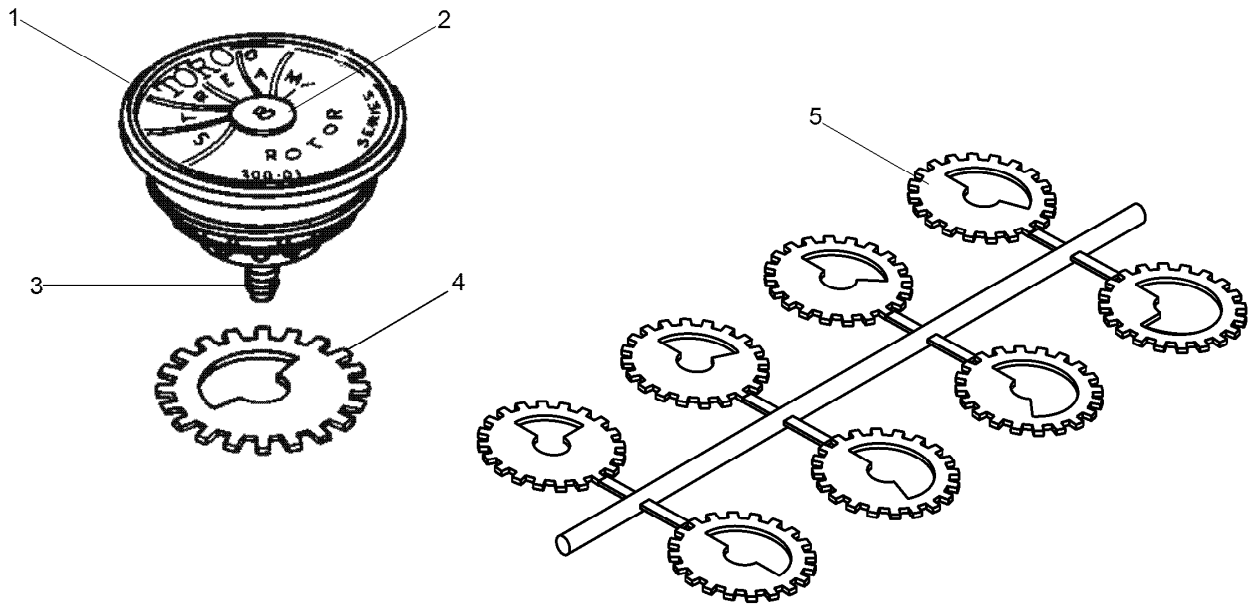


300 and 340 Series Nozzles

Ref.	Part Number	Qty.	Description	Ref.	Part Number	Qty.	Description
1	300-11	1	Nozzle Assy., 01 W/Blank Cap Plug, Bag Of 50 (Includes Items 1-3) ■	1	300-63-12	1	Nozzle Assy., 63 W/Blank Cap Plug, Bag Of 50 (Includes Items 1-3) ■
1	300-12	1	Nozzle Assy., 02 W/Blank Cap Plug, Bag Of 50 (Includes Items 1-3) ■	1	300-93-12	1	Nozzle Assy., 93 W/Blank Cap Plug, Bag Of 50 (Includes Items 1-3) ■
1	300-13	1	Nozzle Assy., 03 W/Blank Cap Plug, Bag Of 50 (Includes Items 1-3) ■	1	300-15	1	Adjustable Stream Rotor Omni Nozzle, Bag Of 25 (Adjustable) ■
1	300-63-1	1	Nozzle Assy., 63 W/Blank Cap Plug, Bag Of 50 (Includes Items 1-3) ■	1	300-25	1	Adjustable Stream Rotor Omni Nozzles Nozzle, Bag Of 25 (Adjustable) ■
1	300-93-1	1	Nozzle Assy., 93 W/Blank Cap Plug, Bag Of 50 (Includes Items 1-3) ■	1	89-1309	1	Cover, Cap, Omni Nozzle Nozzle (Adjustable)
1	300-21	1	Nozzle Assy., 01 W/Blank Cap Plug, Bag Of 50 (Includes Items 1-3) ■	2	9-7048	1	Plug, Cap, Nozzle, Blank
1	300-22	1	Nozzle Assy., 02 W/Blank Cap Plug Nozzle, Bag Of 50 (Adjustable) (Includes Items 1-3) ■	2	89-7889	1	Plug, Cap, Nozzle, Effluent, Lavender
1	300-23	1	Nozzle Assy., 03 W/Blank Cap Plug Nozzle, Bag Of 50 (Includes Items 1-3) ■	3	360-0272	1	Screw
				4	304-00	1	Disc, Arc, 90°, Bag Of 25 ■
				4	305-00	1	Disc, Arc, 112°, Bag Of 10 ■
				4	306-00	1	Disc, Arc, 135°, Bag Of 10 ■
				4	307-00	1	Disc, Arc, 157°, Bag Of 10 ■
				4	308-00	1	Disc, Arc, 180°, Bag Of 25 ■
				4	309-00	1	Disc, Arc, 202°, Bag Of 10 ■
				4	310-00	1	Disc, Arc, 225°, Bag Of 10 ■

● Not illustrated

■ Order Through Finished Goods Distribution System - Minneapolis



300 and 340 Series Nozzles (continued)

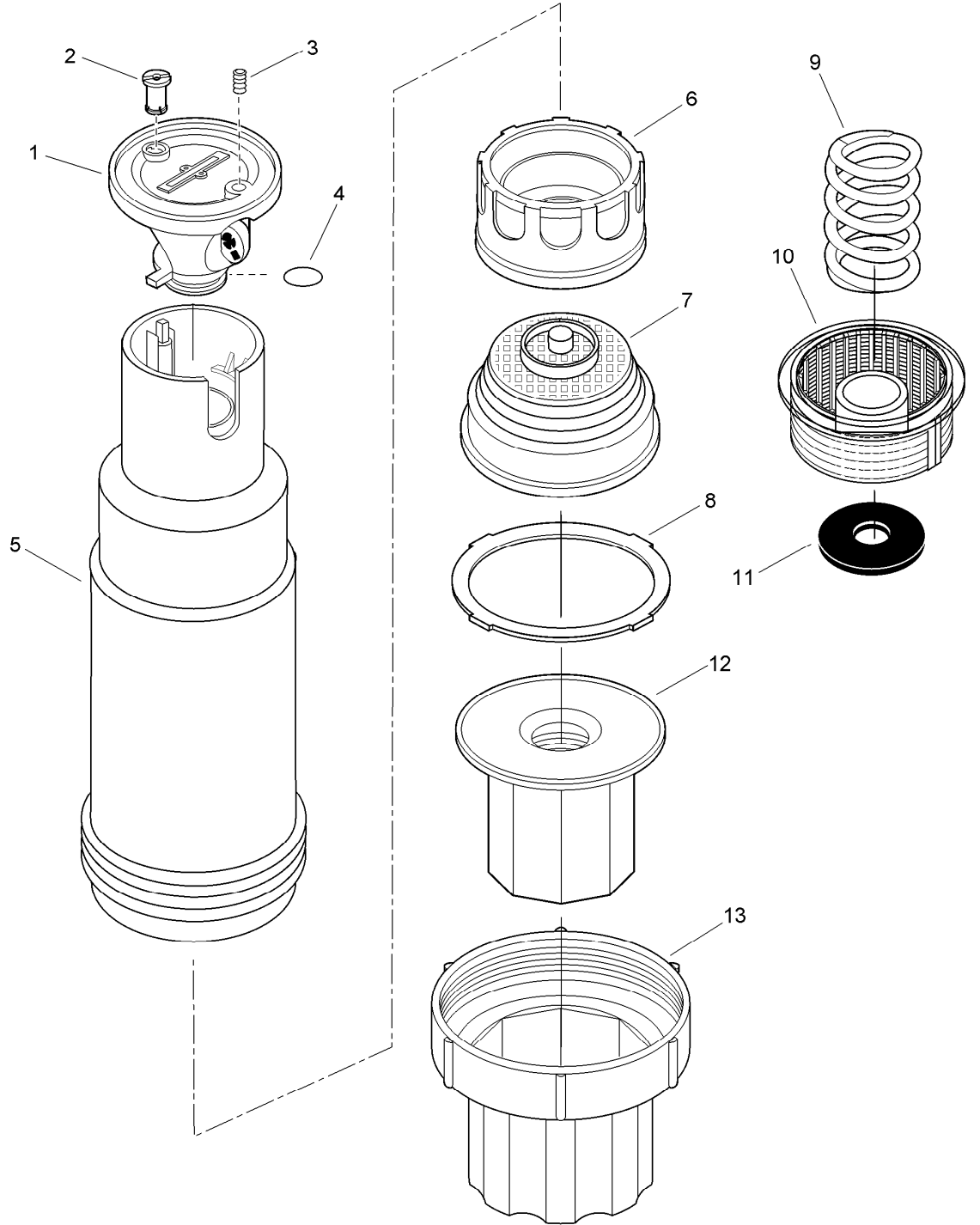
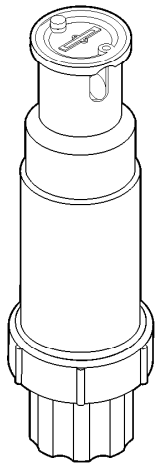
Ref.	Part Number	Qty.	Description
4	312-00	1	Disc, Arc, 270°, Bag Of 10 ■
4	316-00	1	Disc, Arc, 360°, Bag Of 25 ■
5	340-09-SK	1	Tree, Plastic Arc Disc (Includes All Disc) ■
	89-7853	1	Omni Nozzle Cover (Use With 300-15) ■●

Ref.	Part Number	Qty.	Description
	89-7854	1	Omni Nozzle Cover (Use With 300-25) ■●
	89-7889	1	Plug, Cap, Nozzle, Effluent, Lavender ■●

● Not illustrated

■ Order Through Finished Goods Distribution System - Minneapolis

S700 Shrub



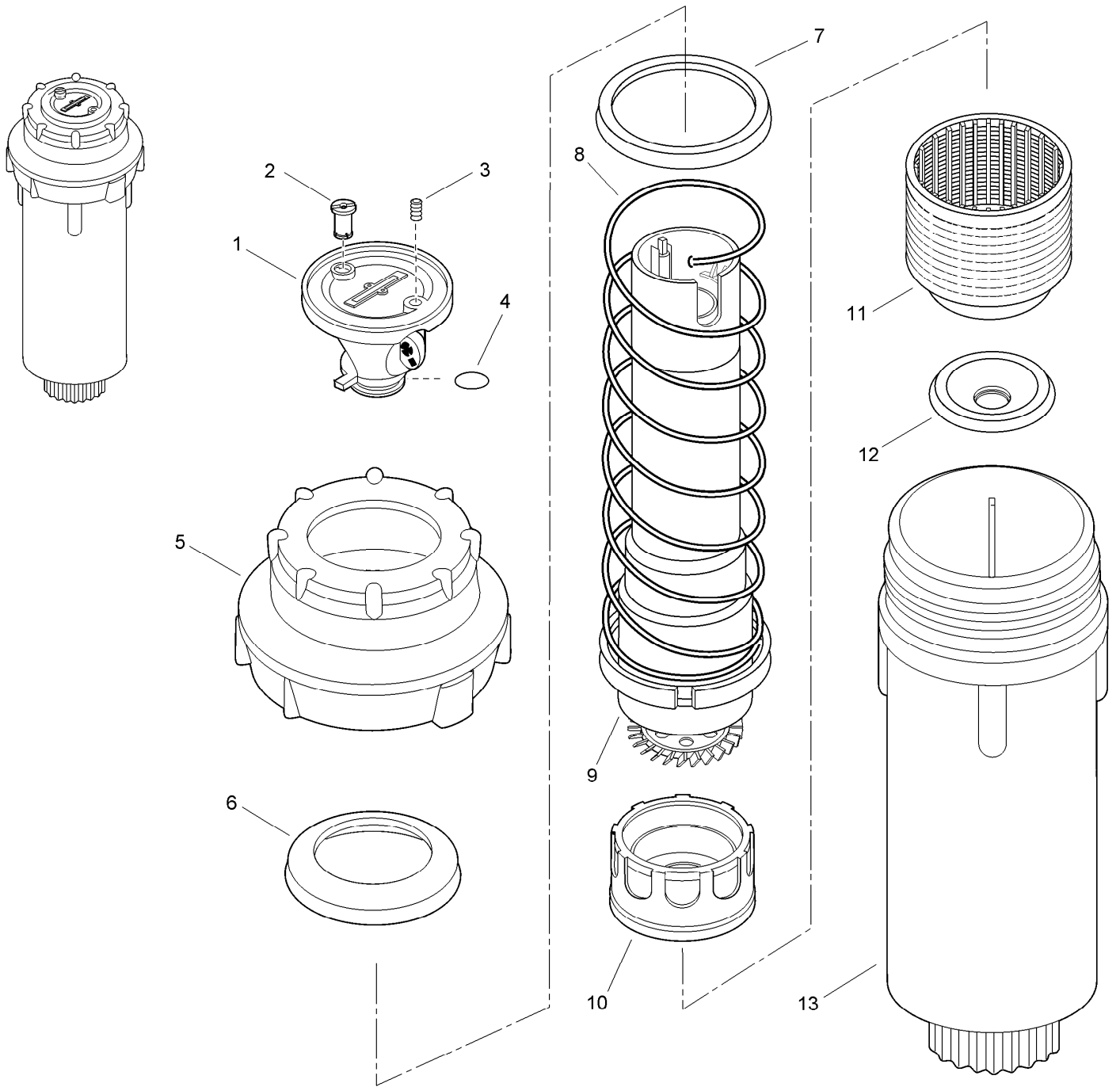
S700 Shrub (continued)

<i>Ref.</i>	<i>Part Number</i>	<i>Qty.</i>	<i>Description</i>	<i>Ref.</i>	<i>Part Number</i>	<i>Qty.</i>	<i>Description</i>
1		1	Nozzle Assy. (Includes Items 1 4) ■	6	35-6323	1	Stator Assy., Variable ●
2		1	Lock, Nozzle Pin ■	7	89-1161	1	Screen, S700 Shrub ●
3		1	Screw, Set, Half-Dog, 6-32 X 1/4" ■	8	9-5211	1	Seal
4		1	O-Ring, .070" X .426" X .566" (White) ■	9	102-0580	1	Spring, Com ●
5	35-8922	1	Body Assembly ●	10	102-0576	1	Screen, Com ●
				11	89-7561	1	Seal, Check, Com
				12	89-6094	1	Threaded Insert, 3/4" & 1/2"
				13	89-8305	1	Base, Shrub

● No longer available

■ Not serviced separately

S700 Lawn



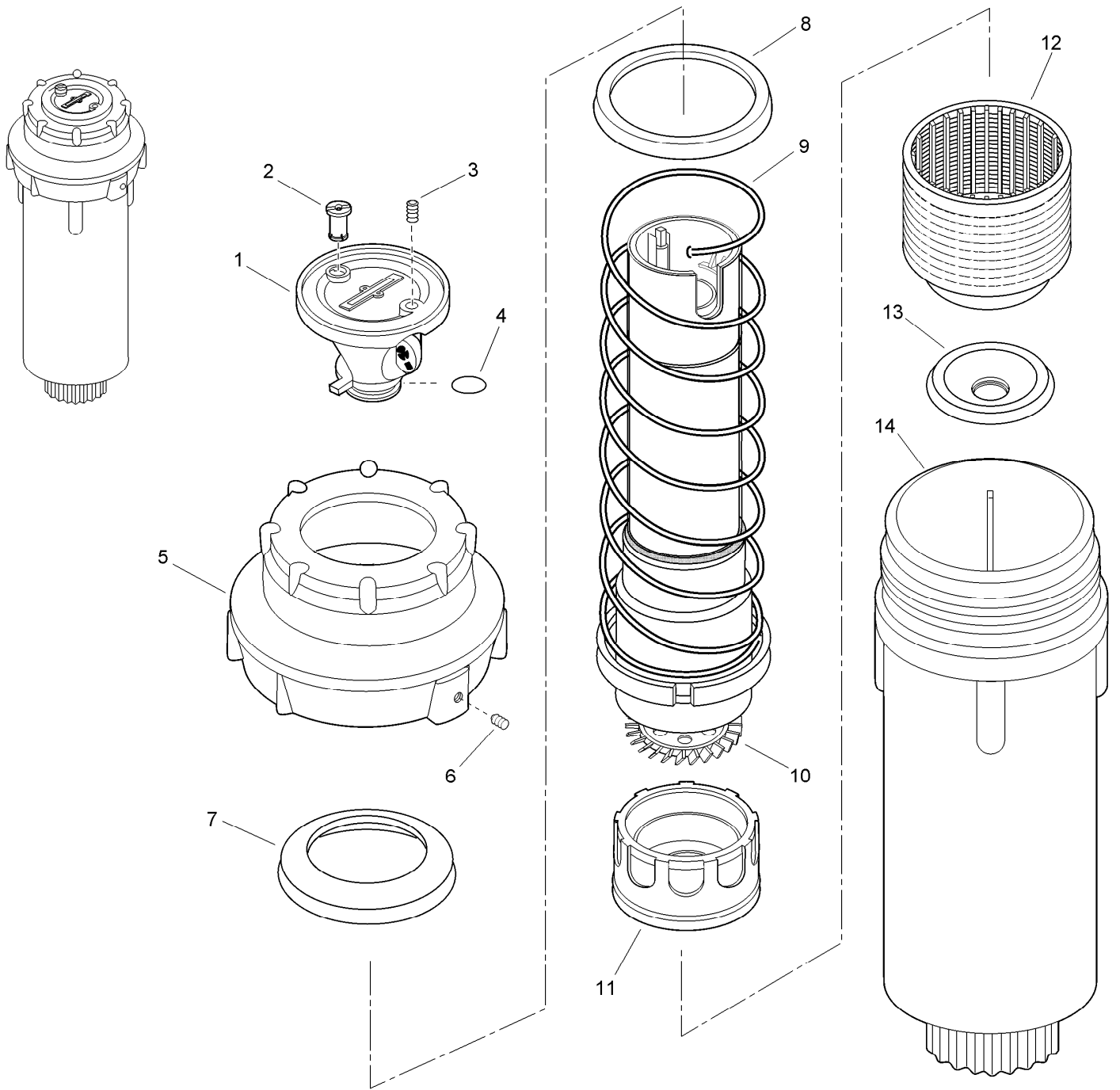
S700 Lawn (continued)

<i>Ref.</i>	<i>Part Number</i>	<i>Qty.</i>	<i>Description</i>	<i>Ref.</i>	<i>Part Number</i>	<i>Qty.</i>	<i>Description</i>
1		1	Nozzle Assy. (Includes Items 1 4) ♦	10	35-6323	1	Stator Assy., Variable ▲
2		1	Lock, Nozzle Pin ♦	11	9-1691	1	Screen
3		1	Screw, Set, Half-Dog, 6-32 X 1/4" ♦	12	89-0266	1	Check Valve (Com Models Only)
4		1	O-Ring, 0.070" X 0.426" X 0.566" (White) ♦	13	9-1661 89-0323	1	Body ▲ Cover, Nozzle (For Use With Non-Locking Nozzles Only) ● ■
5	35-8962	1	Cap, Lawn				
6	35-3145	1	Seal, Riser		89-0805		Restrictor, Low Pressure ● ■
7	89-0995	1	Sleeve, Spring		89-3816		Cover, Lavender, Xp300/S600/S700 (Inserts In Top Of Nozzle) ● ■
8	35-4508	1	Spring, Retraction ▲				
9	35-8912	1	Riser Assembly ▲				

● SERVICE ITEMS
▲ No longer available

■ Not illustrated
♦ Not serviced separately

S700 Commercial



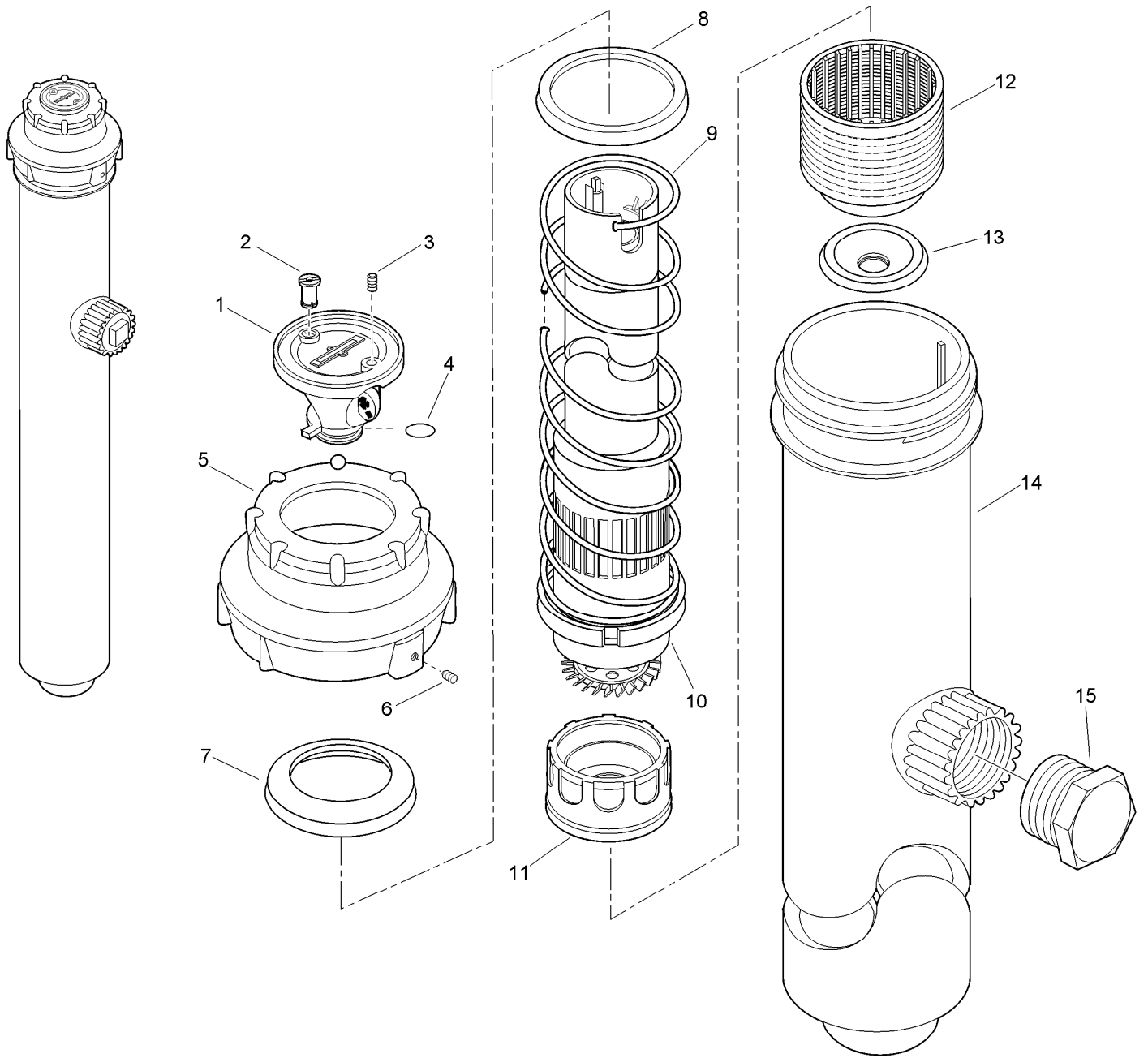
S700 Commercial (continued)

<i>Ref.</i>	<i>Part Number</i>	<i>Qty.</i>	<i>Description</i>	<i>Ref.</i>	<i>Part Number</i>	<i>Qty.</i>	<i>Description</i>
1		1	Nozzle Assy. (Includes Items 1-4) ◆	11	35-6323	1	Stator Assy., Variable ▲
2		1	Lock, Nozzle Pin ◆	12	9-1691	1	Screen
3		1	Screw, Set, Half-Dog, 6-32 X 1/4" ◆	13	89-0266	1	Check Valve
4			O-Ring, 0.070" X 0.426" X 0.566" (White) ◆	14	9-1661	1	Body ▲
5	35-8963	1	Cap Assy., 700C Locking		89-0323		Cover, Nozzle (For Use With Non-Locking Nozzles Only) ■●
6	360-0223	1	Screw-Set, Half-Dog Point, 6-32 X 1/4, El And Pr		89-0805		Restrictor, Low Pressure ■●
7	35-8964	1	Seal, Riser (S700C) ▲		89-3816		Cover, Lavender, Xp300/S600/S700 (Inserts In Top Of Nozzle) ■●
8	89-0995	1	Sleeve, Spring				
9	89-0122	1	Spring, Retraction ▲				
10	35-8931	1	Riser Assembly (W/ Stainless Steel Sleeve) ▲				

● SERVICE ITEMS
▲ No longer available

■ Not illustrated
◆ Not serviced separately

S700 High Pop



S700 High Pop (continued)

<i>Ref.</i>	<i>Part Number</i>	<i>Qty.</i>	<i>Description</i>	<i>Ref.</i>	<i>Part Number</i>	<i>Qty.</i>	<i>Description</i>
1		1	Nozzle Assy. (Includes Items 1-4) ◆	11	35-6323	1	Stator Assy., Variable ▲
2		1	Lock, Nozzle Pin ◆	12	9-1691	1	Screen
3		1	Screw, Set, Half-Dog, 6-32 X 1/4" ◆	13	89-0266	1	Check Valve
4		1	O-Ring, 0.070" X 0.426" X 0.566" (White) ◆	14	89-1960	1	Body ▲
5	89-0111	1	Cap, 700 Locking	15	363-3779	1	Plug, 3/4" Npt Male ▲
6	360-0223	1	Screw-Set, Half-Dog Point, 6-32 X 1/4, El And Pr		700-10		Kit, Cover, Rubber ●■
7	35-3145	1	Seal, Riser		89-0323		Cover, Nozzle (For Use With Non-Locking Nozzles Only) □■
8	89-0995	1	Sleeve, Spring ▲		89-0805		Restrictor, Low Pressure ●■
9	35-5196	1	Spring, Retraction ▲		89-3816		Cover, Lavender, Xp300/S600/S700 (Inserts In Top Of Nozzle) ●■
10	35-8916	1	Riser Assembly ▲				

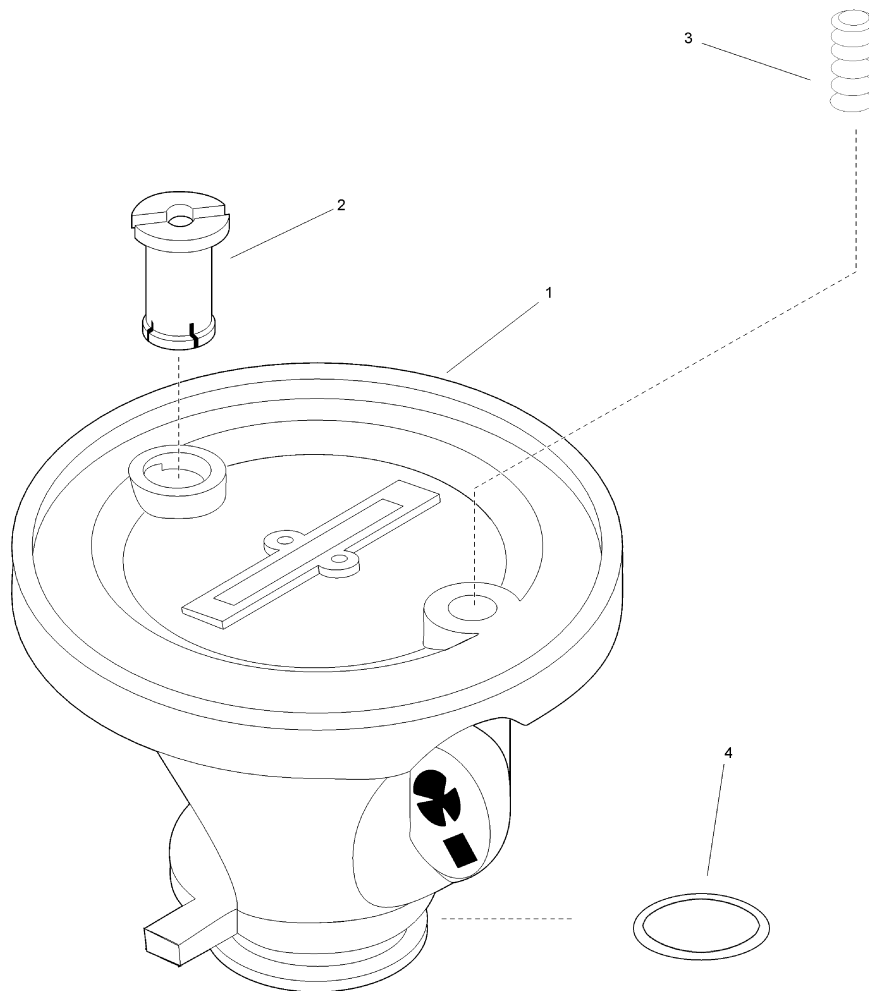
● SERVICE ITEMS

▲ No longer available

□ (See Service Items: Nozzle/Stator Assy.)

■ Not illustrated

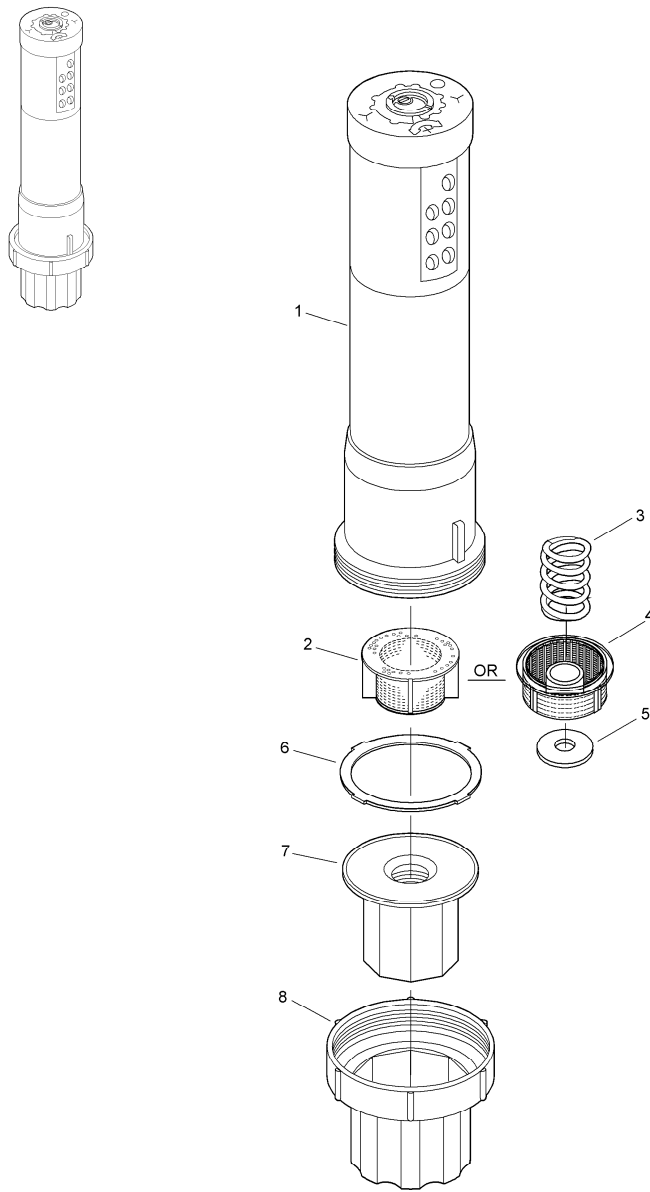
◆ Not serviced separately



S700 Nozzles

Ref.	Part Number	Qty.	Description
1	89-0893L-SK	1	Kit, Nozzle, 1.5, Orange (Includes Items 2-4)
1	89-0894L-SK	1	Kit, Nozzle, 2.0, Red (Includes Items 2-4)
1	89-0895L-SK	1	Kit, Nozzle, 3.0, Black (Includes Items 2-4)
1	89-0896L-SK	1	Kit, Nozzle, 4.5, Blue (Includes Items 2-4)
1	89-0897L-SK	1	Kit, Nozzle, 6.0, Blue (Includes Items 2-4)
2	89-3003	1	Lock, Nozzle Pin, Standard Angle, Black ●
3	360-0223	1	Screw-Set, Half-Dog Point, 6-32 X 1/4, El And Pr
4	360-0494	1	O-Ring

● Not serviced separately



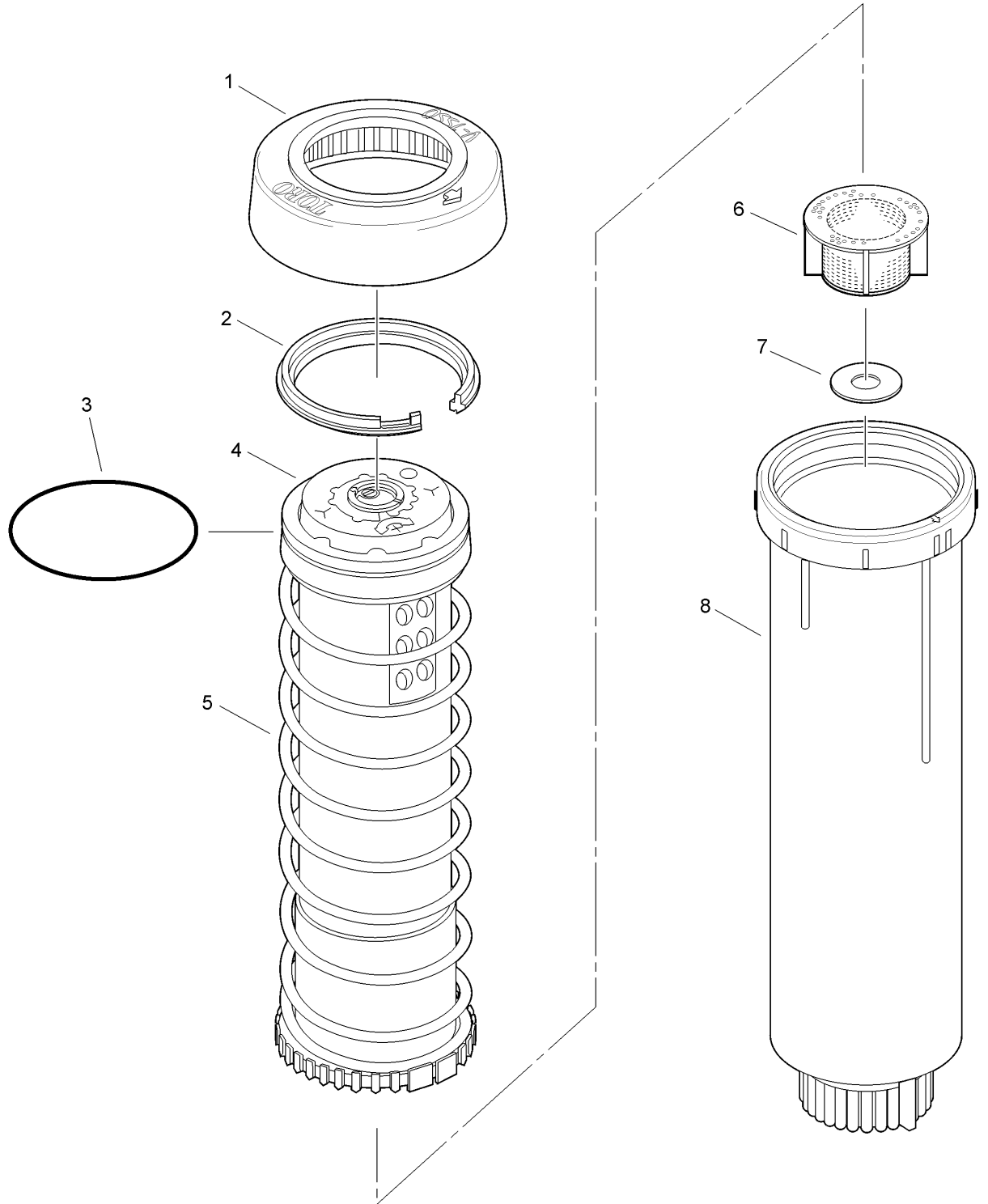
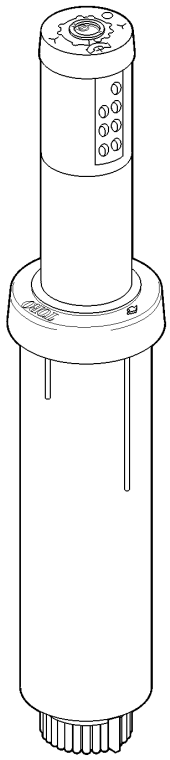
V-1550-Shrub

Ref.	Part Number	Qty.	Description
1		1	Body Assembly ♦
2	89-5847	1	Screen
3	102-0581	1	Spring, Com ▲
4	102-0576	1	Screen, Com
5	89-7561	1	Seal, Check, Com
6	9-5211	1	Seal
7	89-6094	1	Threaded Insert, 3/4" & 1/2"
7	102-0577	1	Threaded Insert, 3/4"
8	89-8305	1	Base, Shrub
	89-7350		Adjustment Key ●■

● SERVICE ITEMS
▲ No longer available

■ Not illustrated
♦ Not serviced separately

V-1550-4 components



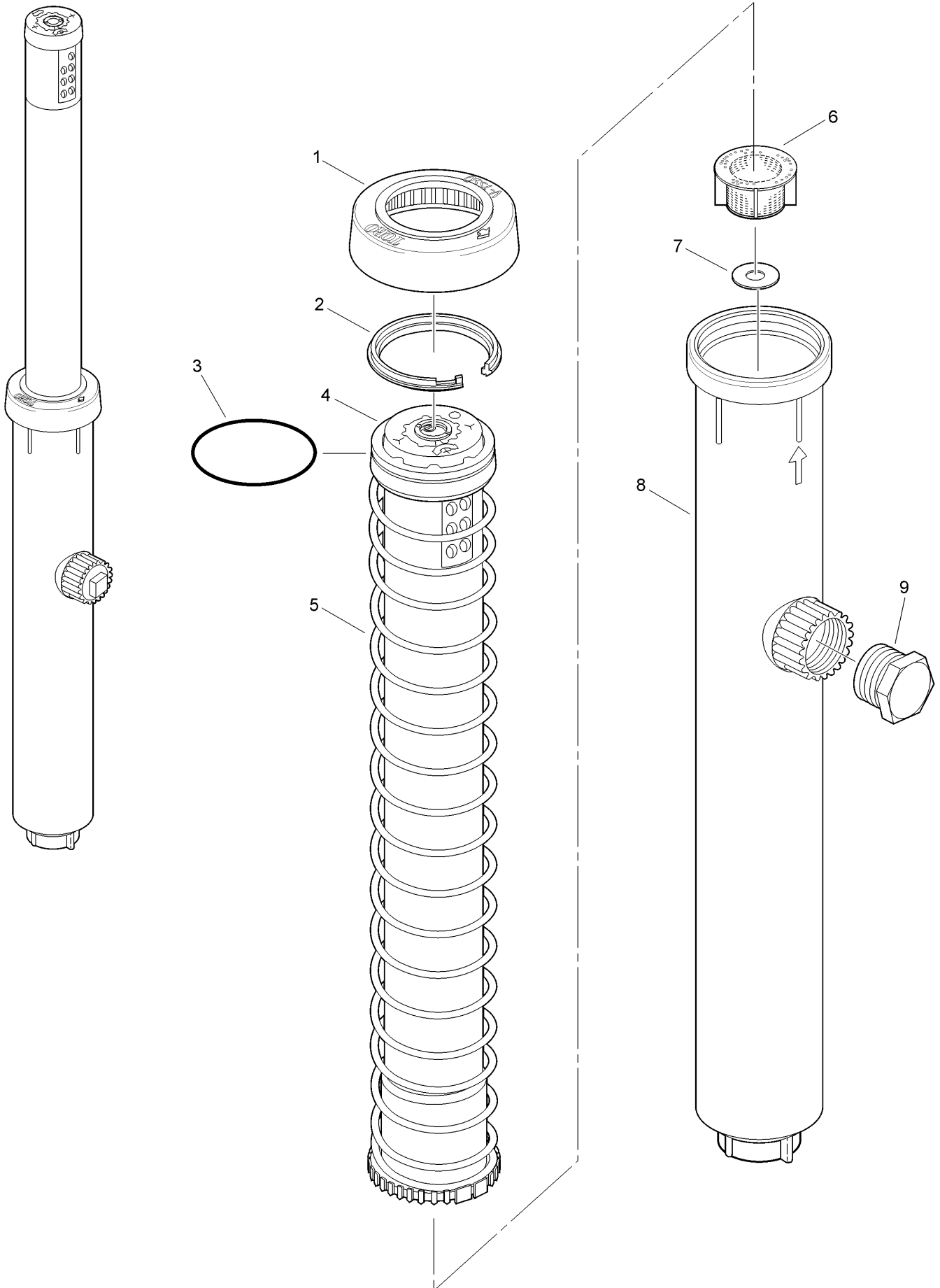
V-1550-4 components (continued)

<i>Ref.</i>	<i>Part Number</i>	<i>Qty.</i>	<i>Description</i>	<i>Ref.</i>	<i>Part Number</i>	<i>Qty.</i>	<i>Description</i>
1	89-5840	1	Rubber Cover, Body	102-3808		1	Spring Retainer & Seal Kit, V1550 ●■
1	89-7857	1	Rubber Cover, Body, Effluent	102-2247		1	Retainer W/ O-Ring (Includes 3 And 4) ●■
2	89-8657	1	Snap Ring	102-2798		1	V-1550-4Flp Riser Assy. (Full Circle, Low Flow, Low Pressure) ●■
3	363-4195	1	O-Ring	102-2799		1	V-1550-4Lflp Riser Assy. (Part Circle, Low Flow, Low Pressure) ●■
4		1	Retainer (See Service Items) ◆▲	89-7350			Adjustment Key ●■
5		1	Riser Assy. (See Service Items) ◆▲	995-83			Multi-Purpose Tool ●■
6	89-5847	1	Screen				
7	89-7561	1	Seal, Check, Com				
8	89-8658	1	Body ▲				

● SERVICE ITEMS
▲ No longer available

■ Not illustrated
◆ Not serviced separately

V-1550-12



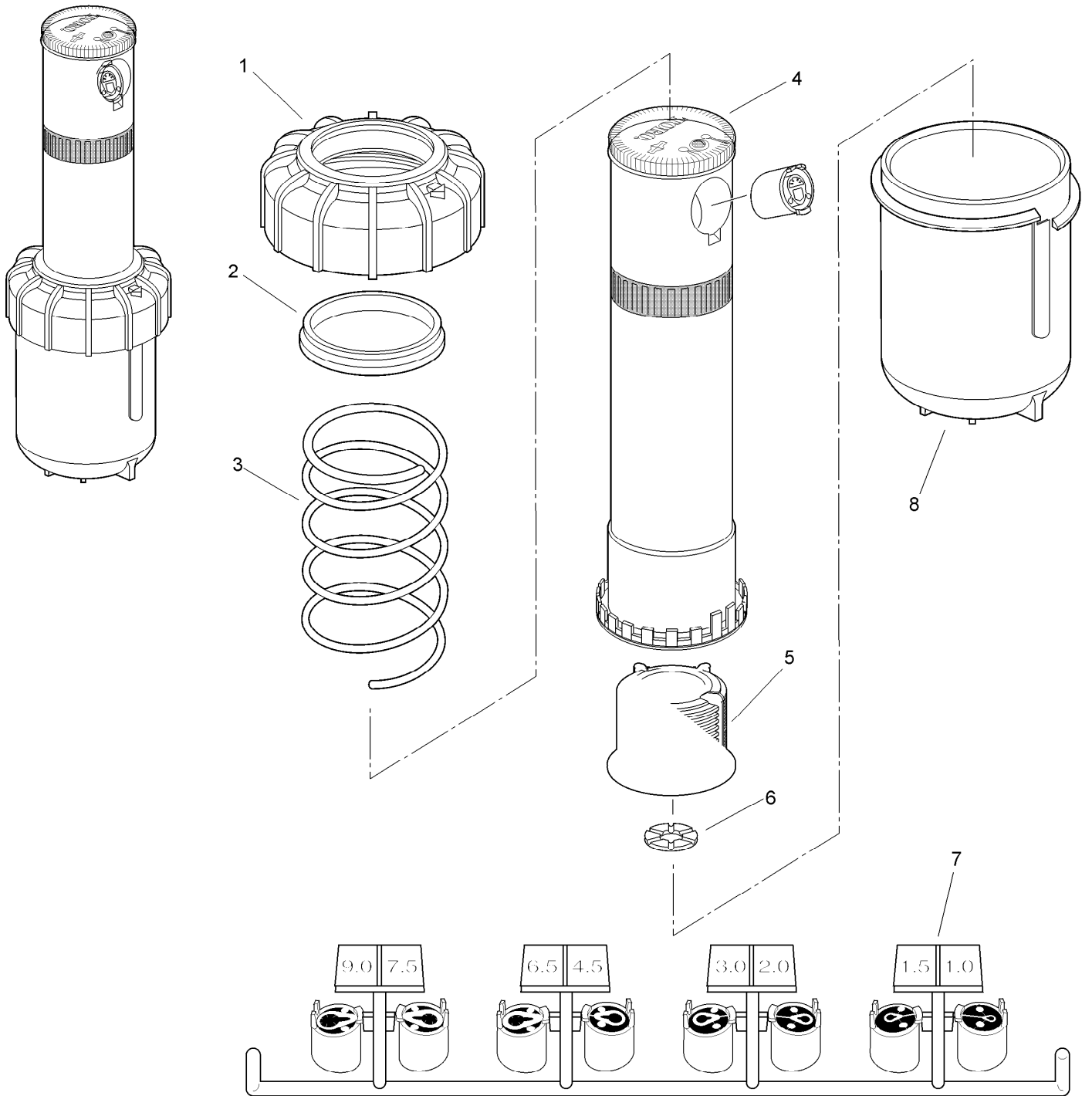
V-1550-12 (continued)

<i>Ref.</i>	<i>Part Number</i>	<i>Qty.</i>	<i>Description</i>	<i>Ref.</i>	<i>Part Number</i>	<i>Qty.</i>	<i>Description</i>
1	89-5840	1	Rubber Cover, Body	102-2247		1	Retainer W/ O-Ring (Includes Items 3 And 4)
1	89-7857	1	Rubber Cover, Body, Effluent	102-2800		1	V-1550-12Flip Riser Assy. (Full Circle, Low Flow, Low Pressure)
2	89-8657	1	Snap Ring	102-2801		1	V-1550-12Lflp Riser Assy. (Part Circle, Low Flow, Low Pressure)
3	363-4195	1	O-Ring	89-5877		1	V-1550-12 Riser Assy. (Part Circle, Standard)
4		1	Retainer (See Service Items) ♦ ▲	89-7657		1	V-1550-12F Riser Assy. (Full Circle, Standard)
5		1	Riser Assembly (See Service Items) ♦ ▲	89-7350			Adjustment Key ● ■
6	89-9428	1	Screen	995-83			Multi-Purpose Tool ● ■
7	89-7561	1	Seal, Check				
8	89-5972	1	Body ▲				
9	363-3779	1	Plug, 3/4" Npt Male				
	102-3808	1	Spring Retainer & Seal Kit, V1550				

● SERVICE ITEMS
▲ No longer available

■ Not illustrated
♦ Not serviced separately

TR50 Shrub



TR50 Shrub (continued)

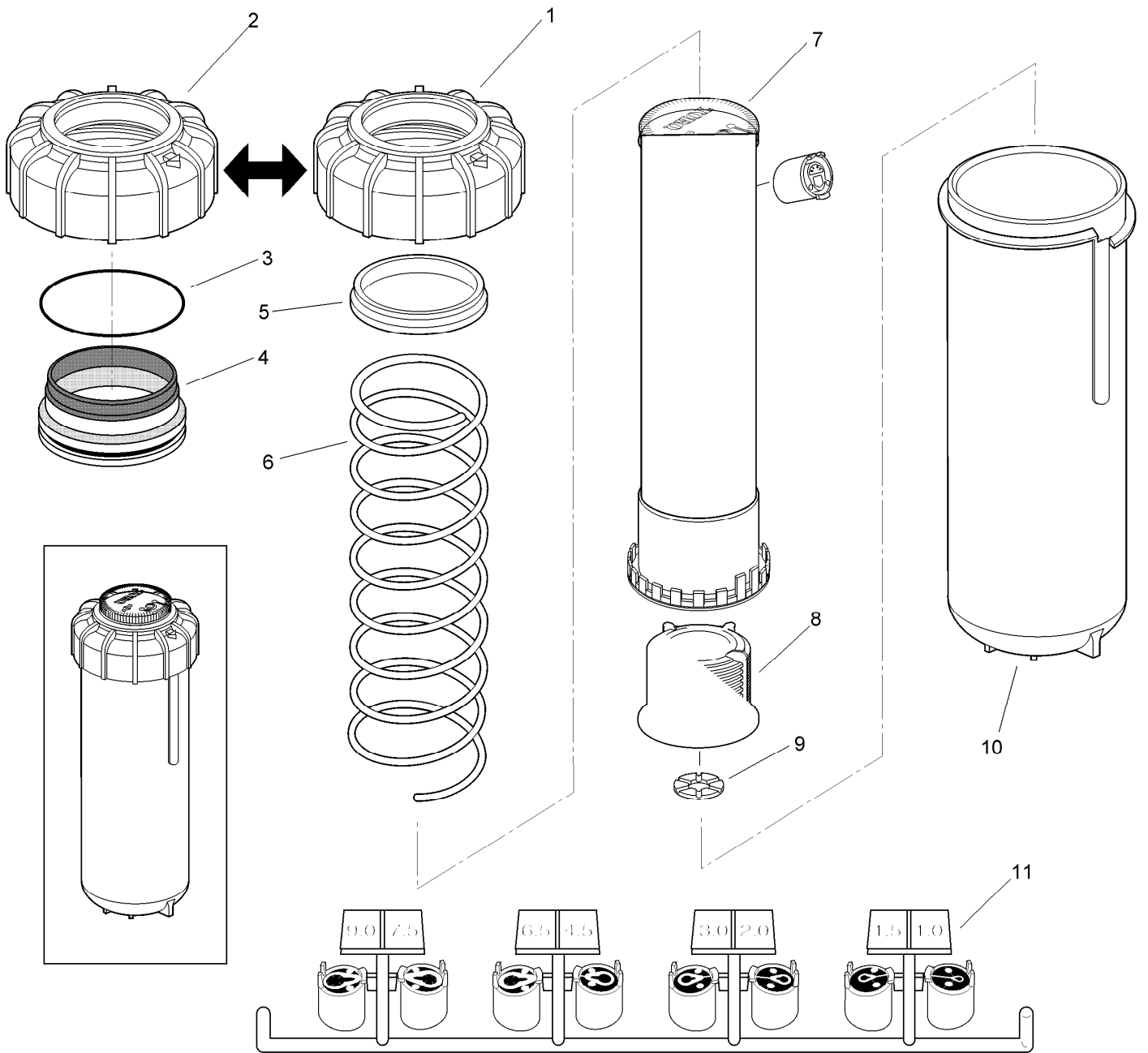
<i>Ref.</i>	<i>Part Number</i>	<i>Qty.</i>	<i>Description</i>
1	89-9178	1	Cap And Seal Assy.
2	89-9713	1	Ring, Retaining
3		1	Spring, Shrub ▲
4		4	Riser Assy. ▲
5	89-9182	1	Screen

<i>Ref.</i>	<i>Part Number</i>	<i>Qty.</i>	<i>Description</i>
6	89-9183	1	Seal, Check
7	102-1877	1	Tree, Nozzle, T7, Low Flow
8	102-1303	1	Body, Shrub ▲ Adjustment Tool ●■

● SERVICE ITEMS
▲ Not serviced separately

■ Not illustrated

TR50 Lawn



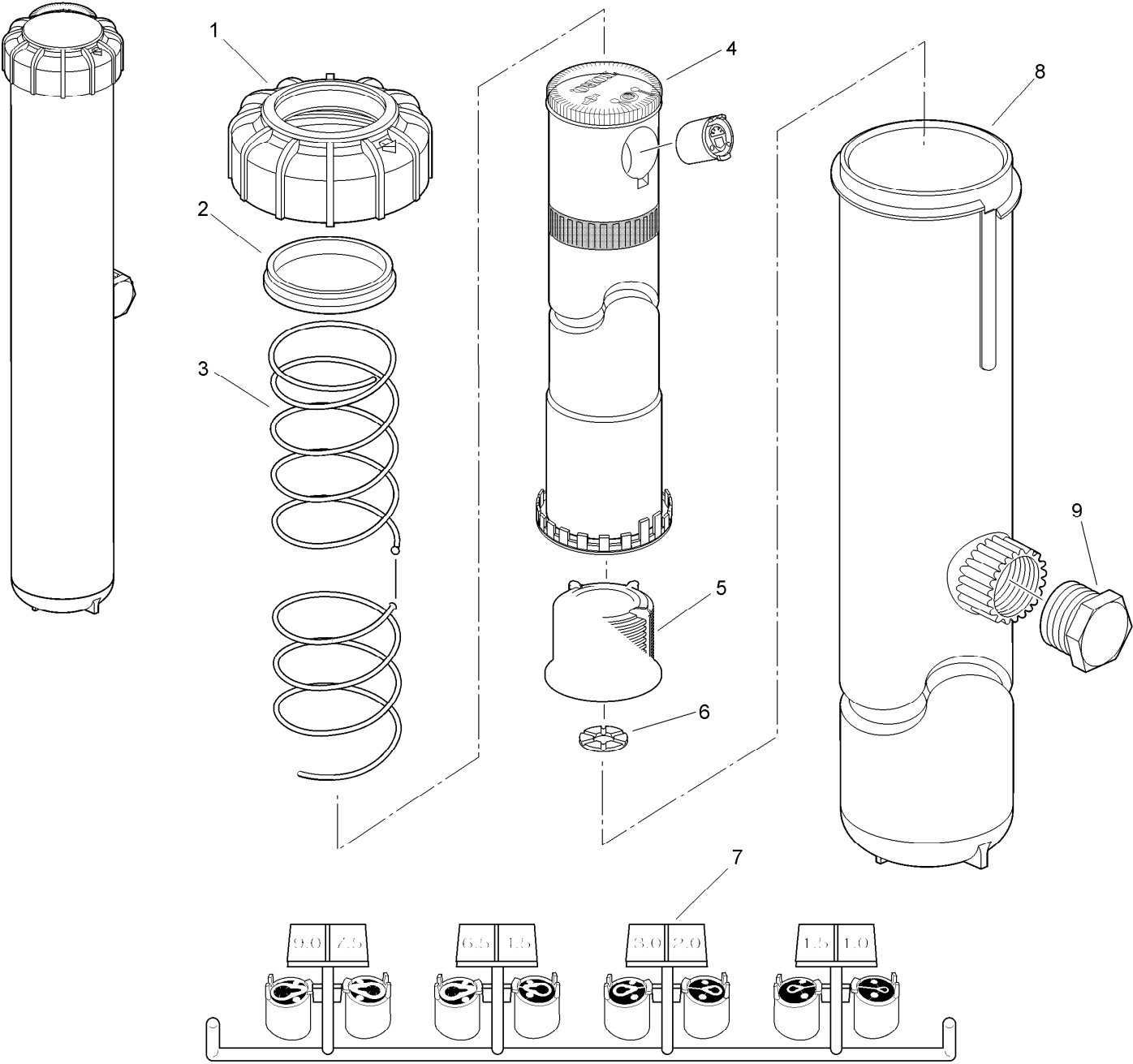
TR50 Lawn (continued)

<i>Ref.</i>	<i>Part Number</i>	<i>Qty.</i>	<i>Description</i>	<i>Ref.</i>	<i>Part Number</i>	<i>Qty.</i>	<i>Description</i>
1	89-9178	1	Cap And Seal Assy.	6		1	Spring, Retraction ▲
2	102-4660	1	Cap, Stainless Steel Riser	7		1	Riser Assy. ▲
3	363-5611	1	O-Ring, Stainless Steel Riser	8	89-9182	1	Screen
4	102-4661	1	Seal W/ Retainer, Stainless Steel Riser	9	89-9183	1	Seal, Check
5	89-9713	1	Ring, Retaining	10	89-9176	1	Body
				11	102-1877 102-1303	1	Tree, Nozzle, T7, Low Flow Adjustment Tool ●■

● SERVICE ITEMS
▲ Not serviced separately

■ Not illustrated

TR50 High-pop



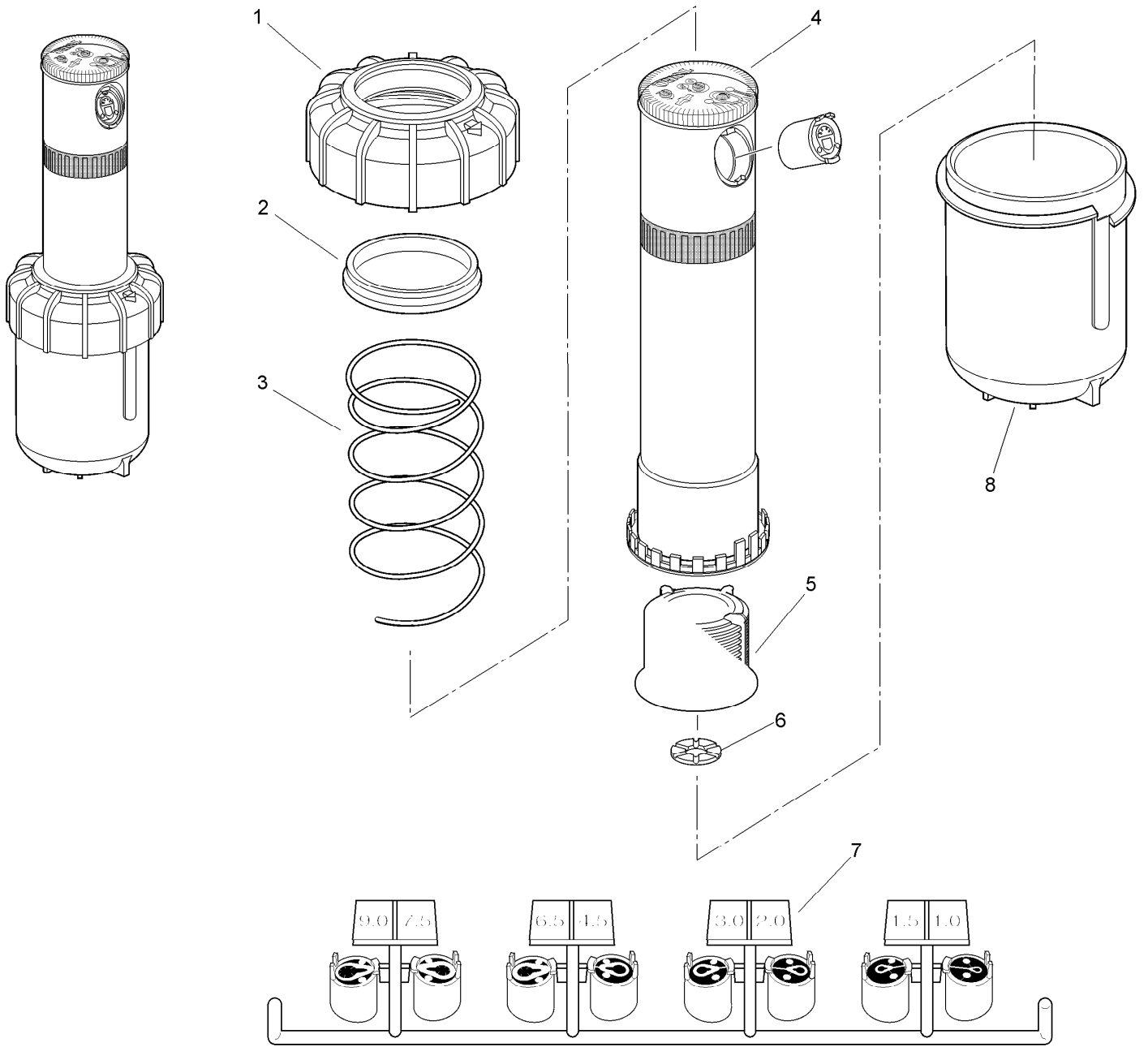
TR50 High-pop (continued)

<i>Ref.</i>	<i>Part Number</i>	<i>Qty.</i>	<i>Description</i>	<i>Ref.</i>	<i>Part Number</i>	<i>Qty.</i>	<i>Description</i>
1	89-9178	1	Cap And Seal Assy.	6	89-9183	1	Seal, Check
2	89-9713	1	Ring, Retaining	7	102-1877	1	Tree, Nozzle, T7, Low Flow
3		1	Spring, Retraction ▲	8		1	Body Assembly ▲
4		1	Riser Assy. ▲	9	363-3779	1	Plug, 3/4" Npt Male
5	89-9182	1	Screen		102-1303		Adjustment Tool ●■

● SERVICE ITEMS
▲ Not serviced separately

■ Not illustrated

TR50XT Shrub



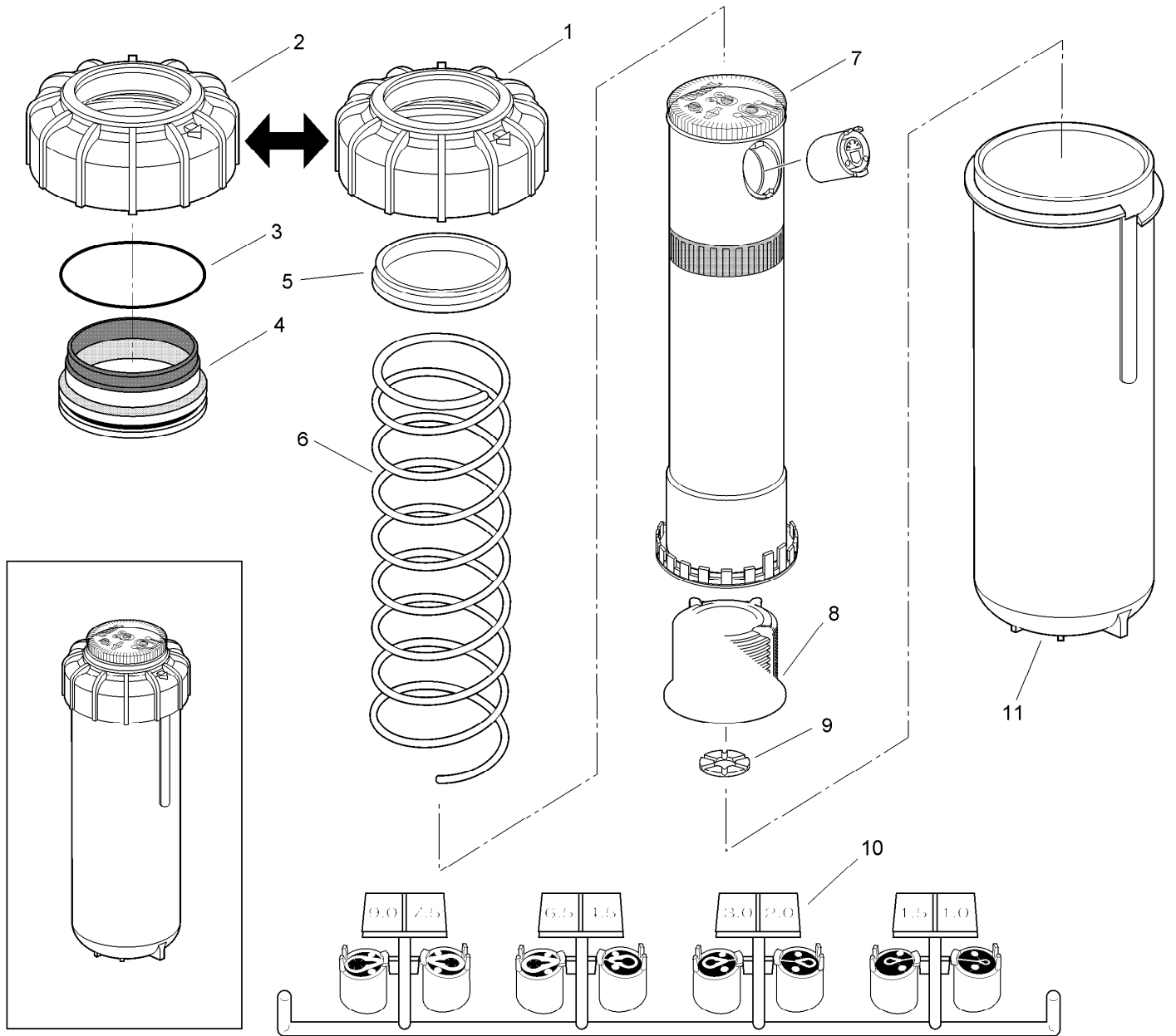
TR50XT Shrub (continued)

<i>Ref.</i>	<i>Part Number</i>	<i>Qty.</i>	<i>Description</i>	<i>Ref.</i>	<i>Part Number</i>	<i>Qty.</i>	<i>Description</i>
1	89-9178	1	Cap And Seal Assy.	6	89-9183	1	Seal, Check
2	89-9713	1	Ring, Retaining	7	102-1877	1	Tree, Nozzle, T7, Low Flow
3		1	Spring, Retraction ▲	8	89-9670	1	Body, Shrub
4		1	Riser Assy. ▲		102-1303		Adjustment Tool ●■
5	89-9182	1	Screen				

● SERVICE ITEMS
▲ Not serviced separately

■ Not illustrated

TR50XT Lawn



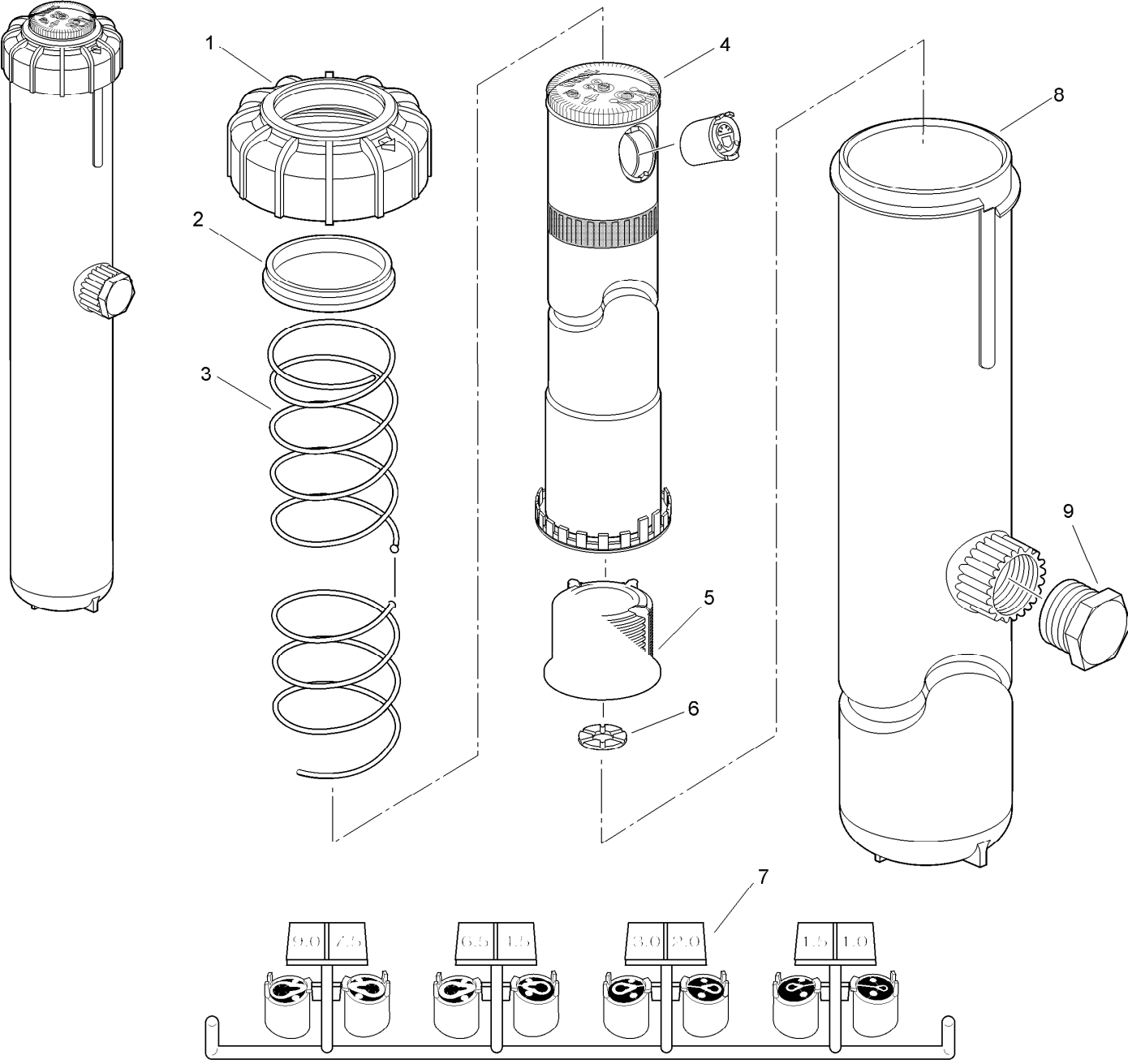
TR50XT Lawn (continued)

<i>Ref.</i>	<i>Part Number</i>	<i>Qty.</i>	<i>Description</i>	<i>Ref.</i>	<i>Part Number</i>	<i>Qty.</i>	<i>Description</i>
1	89-9178	1	Cap And Seal Assy.	6		1	Spring, Retraction ▲
2	102-4660	1	Cap, Stainless Steel Riser	7		1	Riser Assy. ▲
3	363-5611	1	O-Ring, Stainless Steel Riser	8	89-9182	1	Screen
4	102-4661	1	Seal W/ Retainer, Stainless Steel Riser	9	89-9183	1	Seal, Check
5	89-9713	1	Ring, Retaining	10	102-1877	1	Tree, Nozzle, T7, Low Flow
				11	89-9176	1	Body
					102-1303		Adjustment Tool ●■

● SERVICE ITEMS
▲ Not serviced separately

■ Not illustrated

TR50XT High-pop



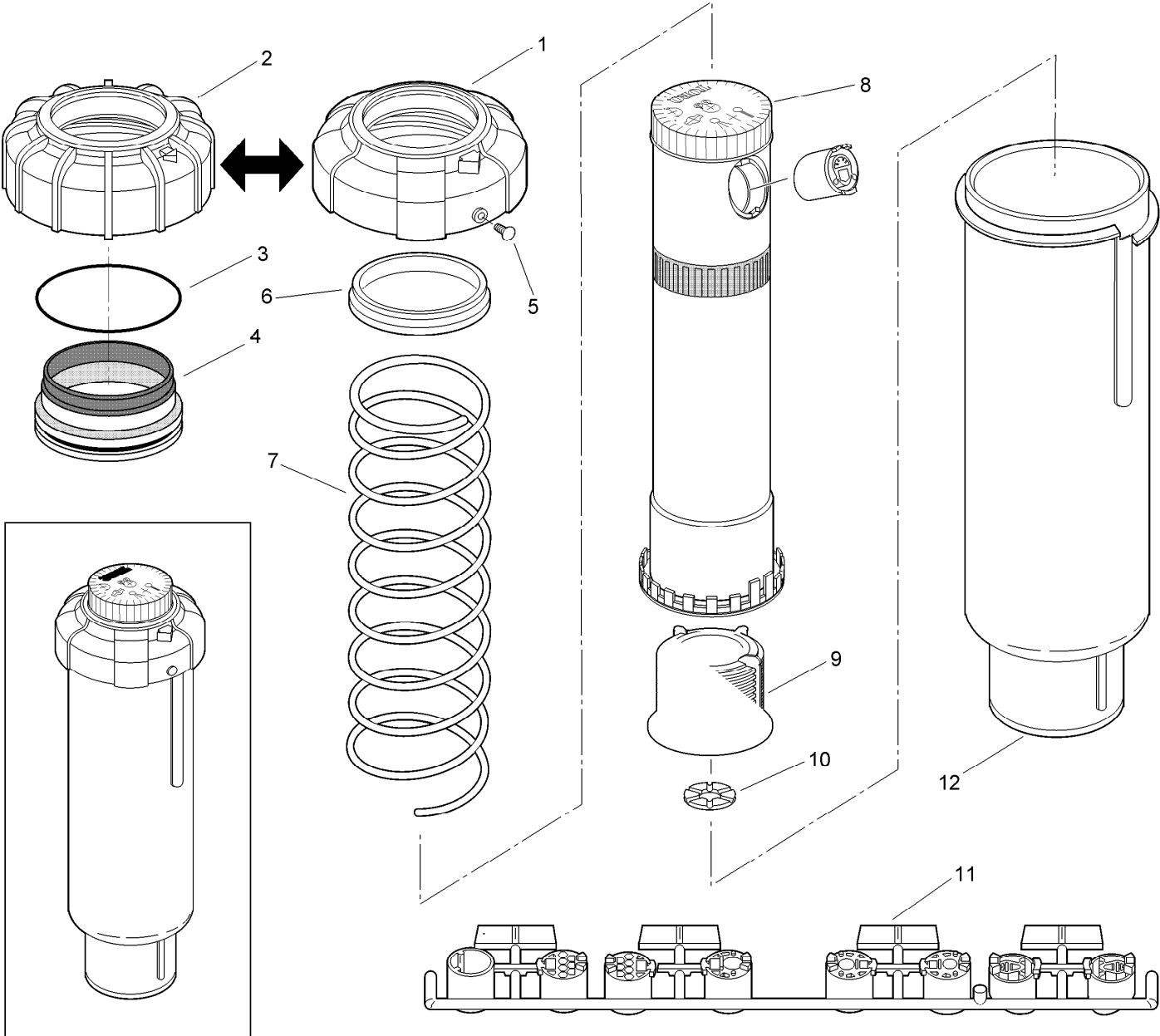
TR50XT High-pop (continued)

<i>Ref.</i>	<i>Part Number</i>	<i>Qty.</i>	<i>Description</i>	<i>Ref.</i>	<i>Part Number</i>	<i>Qty.</i>	<i>Description</i>
1	89-9178	1	Cap And Seal Assy.	6	89-9183	1	Seal, Check
2	89-9713	1	Ring, Retaining	7	102-1877	1	Tree, Nozzle, T7, Low Flow
3		1	Spring, Retraction ▲	8		1	Body Assy. ▲
4		1	Riser Assy. ▲	9	363-3779	1	Plug, 3/4" Npt Male
5	89-9182	1	Screen		102-1303		Adjustment Tool ●■

● SERVICE ITEMS
▲ Not serviced separately

■ Not illustrated

TR70P and TR70XT



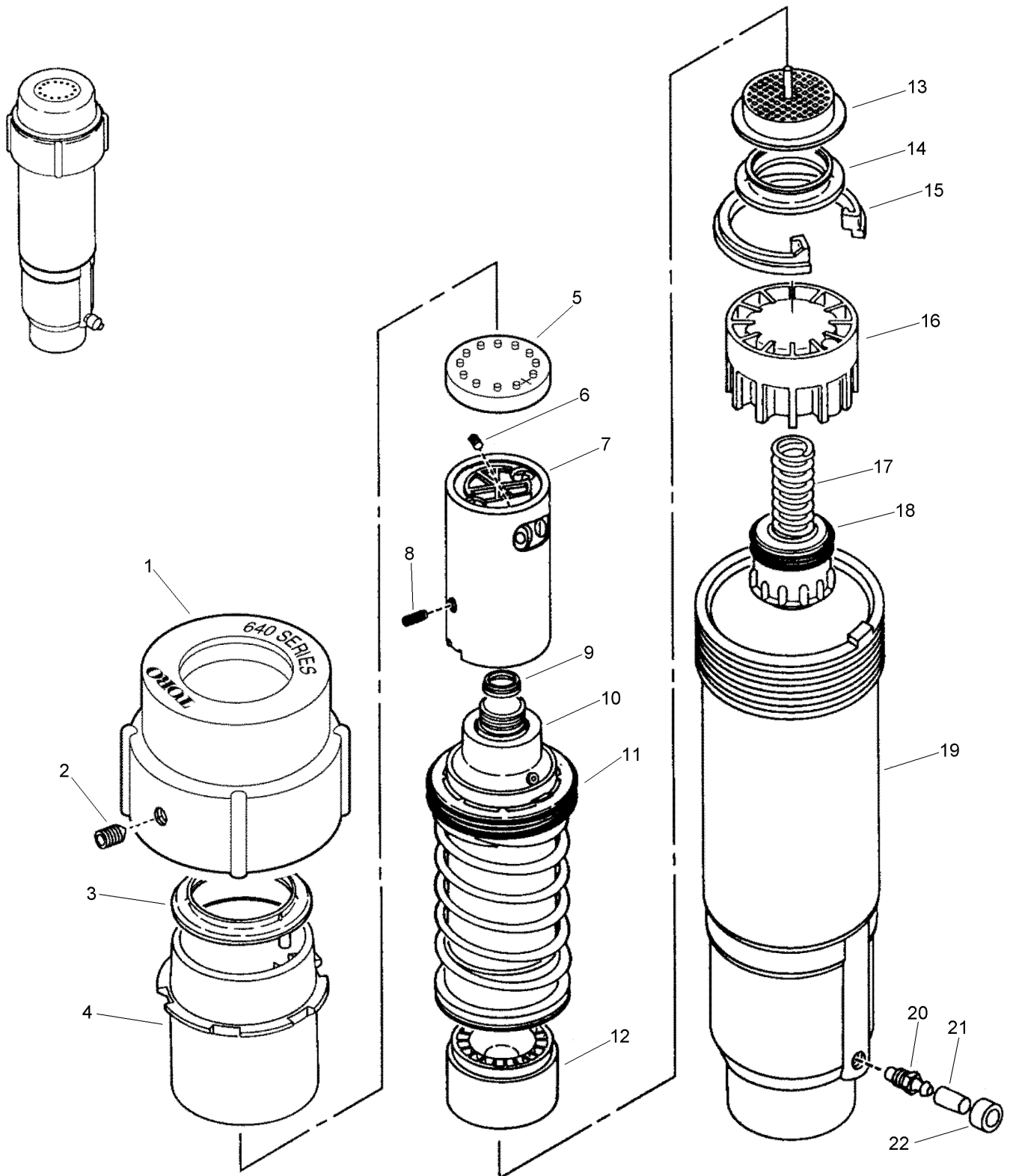
TR70P and TR70XT (continued)

<i>Ref.</i>	<i>Part Number</i>	<i>Qty.</i>	<i>Description</i>	<i>Ref.</i>	<i>Part Number</i>	<i>Qty.</i>	<i>Description</i>
1		1	Cap And Seal Assembly ▲	7		1	Spring, Retraction ▲
2		1	Cap, Stainless Steel Riser ▲	8		1	Riser Assembly ▲
3		1	O-Ring, Stainless Steel Riser ▲	9	89-9182	1	Screen
4		1	Seal W/ Retainer, Stainless Steel Riser ▲	10	89-9183	1	Seal, Check
5	102-2406	1	Set Screw, Cap	11	102-2633	1	Tree, Nozzle, T7, Stamped, High Flow
6		1	Ring, Retaining ▲	12	102-1303	1	Body Assembly ▲ Adjustment Tool ●■

● SERVICE TOOLS
▲ Not serviced separately

■ Not illustrated

640



640 (continued)

Ref.	Part Number	Qty.	Description	Ref.	Part Number	Qty.	Description
1	89-8999	1	Cap Assy., 640 Service (Includes Item 2)		89-1046		Valve Assy., 1.0" Hyd., No, (Includes Items 16 18) ●■
2	2-9653	1	Set Screw, 1/4-20		9-7271		Adapter-Tubing, Oversized Thread (Replaces Item 2) ●
3	3-3756	1	Seal, Nozzle Container				■
4	3-3755	1	Retainer		35-4280		Seal Assembly Replacement Kit ●■
5	89-9000	1	Rubber Cover, Nozzle (For 1993 Or Later Models)		35-0579		Stator Assy., Fast, #41 (Includes Items 12 14) ●■
5	89-9001	1	Rubber Cover, Nozzle, Effluent (For 1993 Or Later Models)		35-1011		Stator Assy., Fast, #42/43 (Includes Items 12 14) ●■
6	360-0223	1	Screw-Set, Half-Dog Point, 6-32 X 1/4"		640-40		#40 Nozzle/Stator Assy. (Includes Items 5 9 And 12 14) ●■◆
7		1	Nozzle Assy. (See Service Items: Nozzle / Stator Assy.) ▲		640-41		#41 Nozzle/Stator Assy. (Includes Items 5 9 And 12 14) ●■◆
8	1-7038	1	Screw, Half-Dog Point, 6-32 X 7/16" X 0.44		640-42		#42 Nozzle/Stator Assy. (Includes Items 5 9 And 12 14) ●■◆
9	35-1075	1	Seal, (Nozzle To Spindle)		640-43		#43 Nozzle/Stator Assy. (Includes Items 5 9 And 12 14) ●■◆
10	640-0045	1	Drive Assy., 640, 45° ◆		640-44		#44 Nozzle/Stator Assy. (Includes Items 5 9 And 12 14) ●■◆
10	640-0060	1	Drive Assy., 640, 60° ◆		640-40E		#40 Nozzle/Stator Assy., Effluent (Includes Items 5 9 And 12 14) ●■◆
10	640-0090	1	Drive Assy., 640, 90° ◆		640-41E		#41 Nozzle/Stator Assy., Effluent (Includes Items 5 9 And 12 14) ●■◆
10	640-0180	1	Drive Assy., 640, 180° ◆		640-42E		#42 Nozzle/Stator Assy., Effluent (Includes Items 5 9 And 12 14) ●■◆
10	640-0270	1	Drive Assy., 640, 270° ◆		640-43E		#43 Nozzle/Stator Assy., Effluent (Includes Items 5 9 And 12 14) ●■◆
10	640-0360	1	Drive Assy., 640, 360° ◆		640-44E		#44 Nozzle/Stator Assy., Effluent (Includes Items 5 9 And 12 14) ●■◆
10	640-0108	1	Drive Assy., 640, 108° ◆		640-10		Body Package, 640, Hyd., No (Includes Items 1 4 And 15 22) ●■◆
10	640-0127	1	Drive Assy., 640, 127° ◆		640-51		Body Package, 640, Hyd., No, BSP (Includes Items 1 4 And 15 22) ●■◆
10	640-0148	1	Drive Assy., 640, 148° ◆		640-20		Body Package, 640, Com (Includes Items 1 4 And 19) ●■◆
10	640-0173	1	Drive Assy., 640, 173° ◆		640-52		Body Package, 640, Com, BSP (Includes Items 1 4 And 19) ●■◆
10	640-0192	1	Drive Assy., 640, 192° ◆		89-9080		Rubber Cover Upgrade Kit #40 (Includes Items 1, 2 And 5 9) ●■
10	640-0238	1	Drive Assy., 640, 238° ◆				
11		1	Seal Assy. (See Service Item 35-4280) ▲				
12	35-1529		Stator Assy., #40 (Includes Items 13 And 14)				
12	35-1359		Stator Assy., #41 (Includes Items 13 And 14)				
12	9-2816		Stator Assy., #42 (Includes Items 13 And 14)				
12	9-2817		Stator Assy., #43 (Includes Items 13 And 14)				
12	35-1701		Stator Assy., #44 (Includes Items 13 And 14)				
13	9-2072	1	Screen				
14	9-2633	1	Seat, Com				
15	89-4702	1	Snap Ring, Valve				
16	9-1485	1	Cylinder Assy., No & Com				
17	3-2633	1	Spring, Valve, No, EI & NC				
18	89-8082	1	Piston Assy., Hyd., No				
19	9-2099	1	Body Assy., Com				
19	35-2076	1	Body Assy., Com (BSP)				
19	89-8088		Body Assy., Hyd., No				
19	89-8089		Body Assy., Hyd., No (BSP)				
20	9-6002	1	Adapter-Tubing, Threaded, 1/4"				
21	89-8157	1	Cap, 1/4", Poly, No				
22	900-40	1	Retainer, Tube ◆				

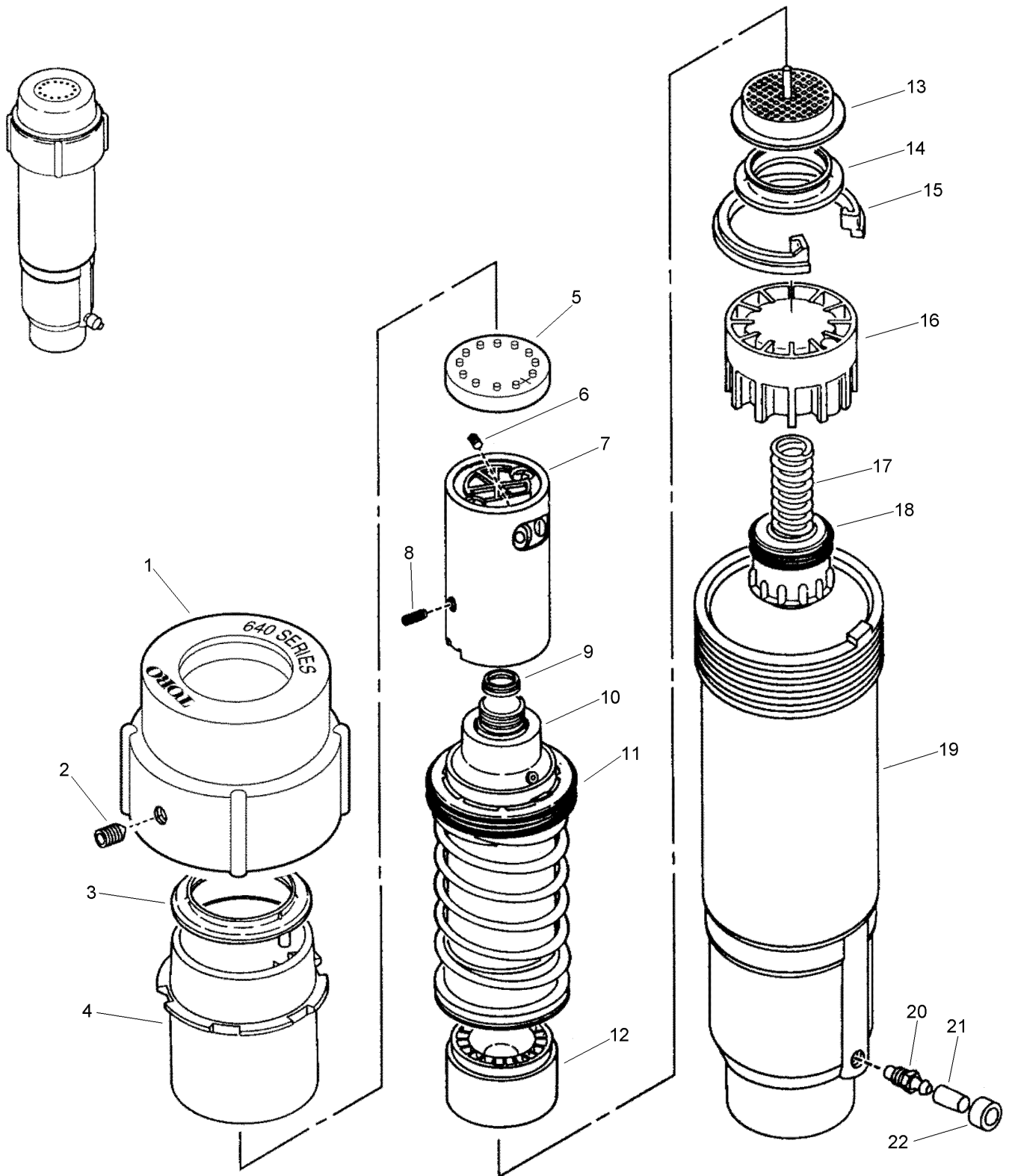
● SERVICE ITEMS

▲ Not serviced separately

◆ Order Through Finished Goods Distribution System - Minneapolis

■ Not illustrated

640 (continued)



640 (continued)

<i>Ref.</i>	<i>Part Number</i>	<i>Qty.</i>	<i>Description</i>	<i>Ref.</i>	<i>Part Number</i>	<i>Qty.</i>	<i>Description</i>
	89-9083		Rubber Cover Upgrade Kit #43 (Includes Items 1, 2 And 5 9) ●■		89-7984		Retainer, Rubber Cover ●■
	89-9084		Rubber Cover Upgrade Kit #44 (Includes Items 1, 2 And 5 9) ●■		89-3744		Rubber Cover, Cap ●■
	35-3652		Container, Nozzle (Pre-1993 Models) ●■		995-100		Valve Snap Ring Pliers With Screen Remover ●■
	35-9113		Container, Nozzle (Without Set Screw Hole, Pre-1993 Models) ●■		995-08		Valve Removal Tool ●■
	9-6086		Rubber Cover, Nozzle (Pre-1993 Models) ●■		995-35		Valve Insertion Tool ●■
					995-37		Seal Installation Tool ●■
					995-42		640 Canister Removal Tool ●■
					996-51		Cap Removal Tool ●■

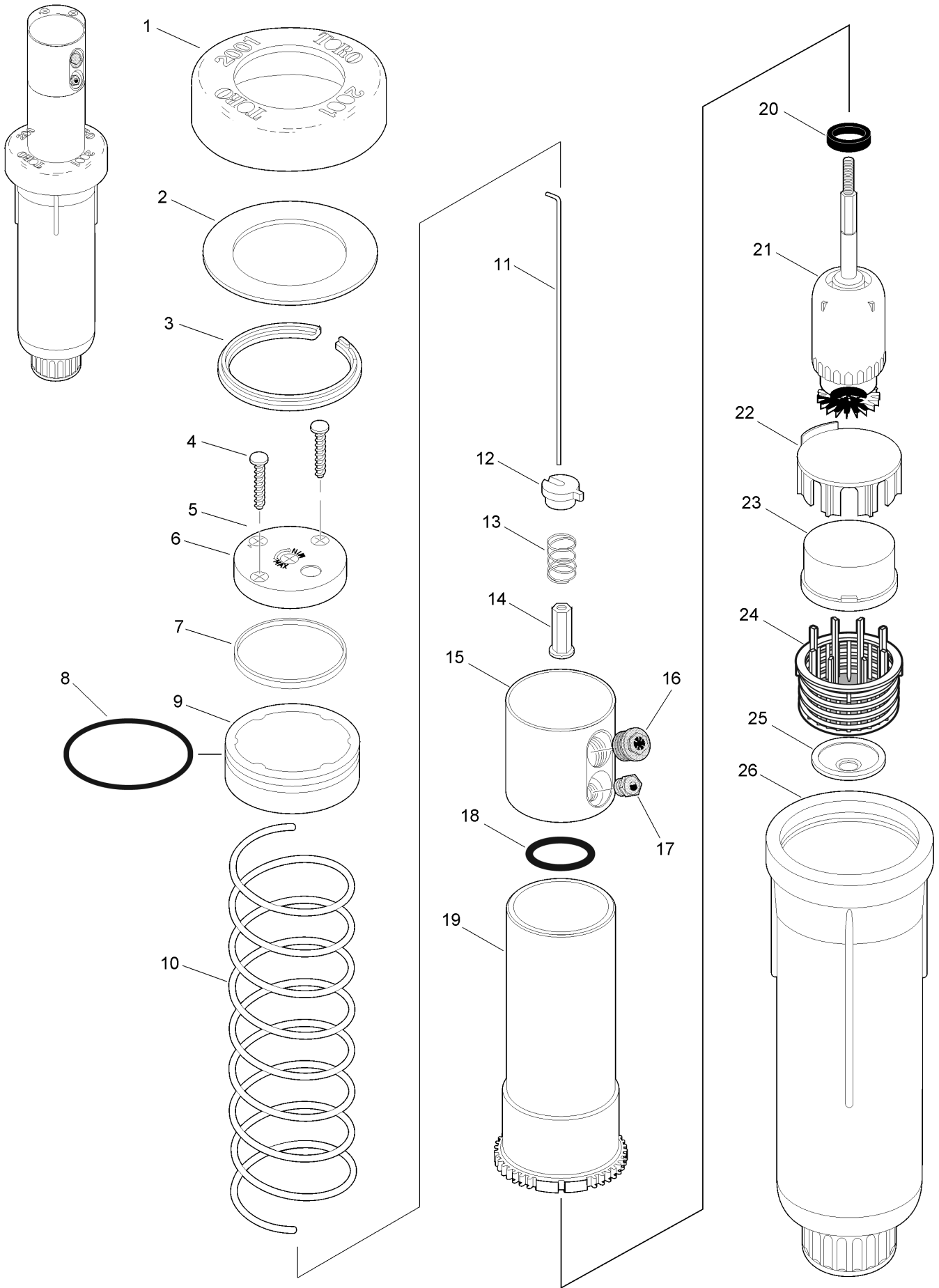
● SERVICE ITEMS

▲ Not serviced separately

◆ Order Through Finished Goods Distribution System - Minneapolis

■ Not illustrated

2001



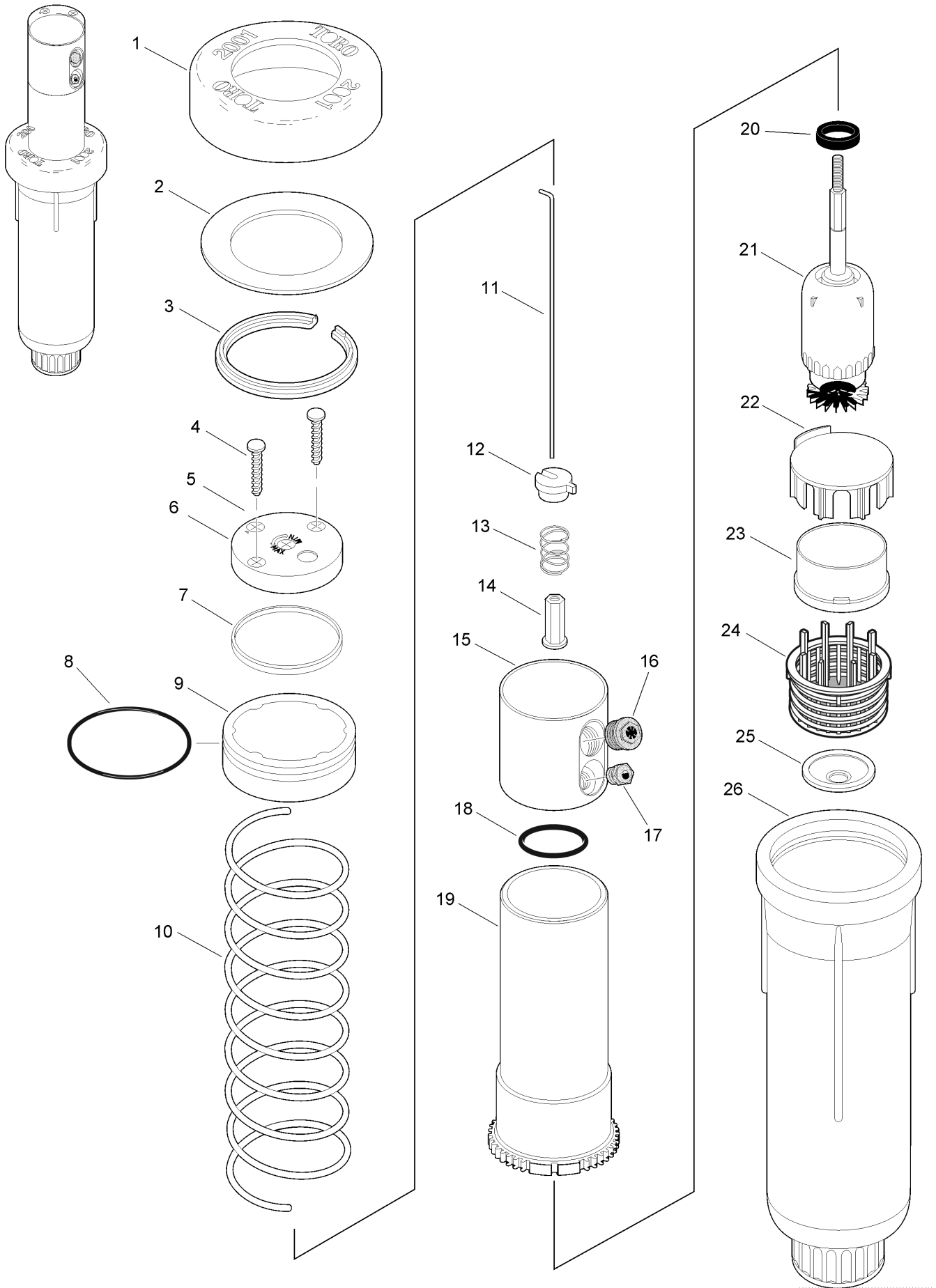
2001 (continued)

<i>Ref.</i>	<i>Part Number</i>	<i>Qty.</i>	<i>Description</i>	<i>Ref.</i>	<i>Part Number</i>	<i>Qty.</i>	<i>Description</i>
1	89-3883	1	Cap, Rubber	16	89-8449	1	Nozzle, Main ▲
2	102-0058	1	Seal, Debris	17	89-8283	1	Nozzle, Lower ▲
3	89-3885	1	Snap Ring	18	363-4096	1	O-Ring, #121, 0.103" X 1.049" X 1.255" (Yellow) ▲
4	363-1493	2	Screw, #10 X 1 ▲	19	89-9398	1	Riser
5	360-0530	2	O-Ring, 0.070" X 0.145" X 0.285" ▲	20	89-5904	1	Brake
6	89-3944	1	Nozzle Top Assy., Pc	21	89-8036	1	Gear Drive Assy., 2001
6	89-7295	1	Nozzle Top Assy., Fc	22	89-7374	1	Holder, Stator
6	89-6734	1	Nozzle Top Assy., Pc, Effluent	23		1	Stator (See Service Item 89-8202) ◆
6	89-7296	1	Nozzle Top Assy., Fc, Effluent	24	89-3929	1	Screen
7	89-4887	1	Nozzle Base Retainer	25	35-2245	1	Check Valve ▲
8	363-3690	1	O-Ring, 0.103" X 2.237" X 2.443"	26	89-7392	1	Body Assy., Npt, Left Arc I.D. - Post 5/94
9		1	O-Ring Retainer (See Service Item 89-9913) ◆		89-8202		Stator Assy., 2001 (Includes Item 21 & 22) ●■
10	89-9399	1	Spring ▲		89-9913		O-Ring Retainer Assy., Svc (Includes Items 7 & 8) ●■
11	89-3869	1	Shaft (Pc Pin) ▲		89-6602		Spring Retainer - Pre 4/99 ●■
12	89-4890	1	Arm, Clutch ▲		102-0365		Tree, Nozzle, Colored ●■
13	89-5887	1	Spring, Clutch ▲		89-4717		Adjustment Tool ●■
14	89-3928	1	Nut, Nozzle Base		995-83		Multi-Purpose Tool ●■
15	89-3872	1	Base, Nozzle				

● SERVICE ITEMS
▲ No longer available

■ Not illustrated
◆ Not serviced separately

S2001

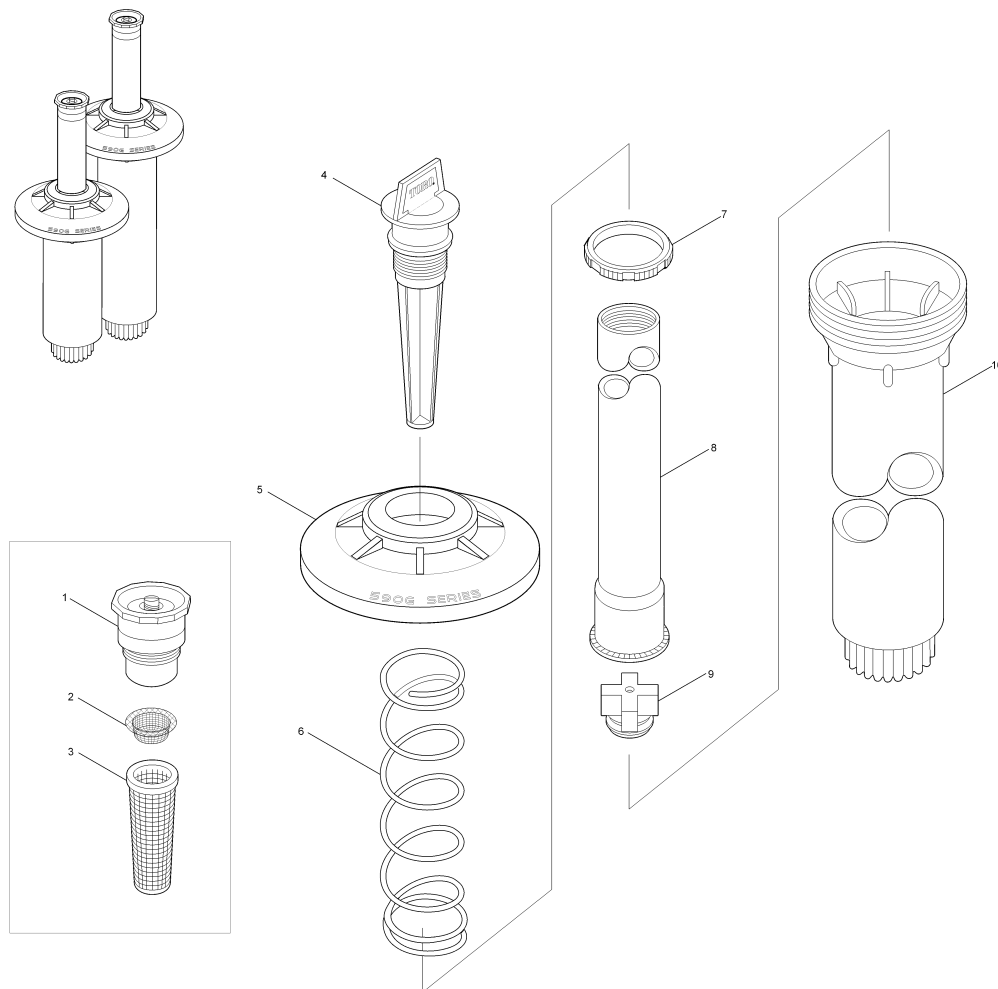


S2001 (continued)

<i>Ref.</i>	<i>Part Number</i>	<i>Qty.</i>	<i>Description</i>	<i>Ref.</i>	<i>Part Number</i>	<i>Qty.</i>	<i>Description</i>
1	89-3883	1	Cap, Rubber	14	89-3928	1	Nut, Nozzle Base
2	102-0058	1	Seal, Debris	15	89-9870	1	Base, Nozzle
3	89-3885	1	Snap Ring	16	89-4769	1	Nozzle, Main ▲
4	363-1493	2	Screw, #10 X 1.0" Phphn, 2 Hlxa ▲	17	89-8660	1	Nozzle, Lower ▲
5	360-0530	2	O-Ring, 0.070" X 0.145" X 0.285" ▲	18	363-4096	1	O-Ring, #121, 0.103" X 1.049" X 1.255" (Yellow) ▲
6	89-3944	1	Nozzle Top Assy., Pc	19	89-9427	1	Riser Assy.
6	89-7295	1	Nozzle Top Assy., Fc	20	89-5904	1	Brake
6	89-6734	1	Nozzle Top Assy., Pc, Effluent	21	89-8036	1	Gear Drive Assy., 2001
6	89-7296	1	Nozzle Top Assy., Fc, Effluent	22	89-7374	1	Holder, Stator
7	89-4887	1	Nozzle Base Retainer	23		1	Stator (See Service Item 89-8202) ◆
8	363-3690	1	O-Ring	24	89-3929	1	Screen
9		1	O-Ring Retainer (See Service Item 89-9914) ◆	25	35-2245	1	Check Valve ▲
10	89-9399	1	Spring ▲	26	89-7393	1	Body Assy., Left Arc I.D. - Post 5/94 ▲
11	89-3869	1	Shaft (Pc Only) ▲		89-8202		Stator Assy., 2001 (Includes Item 21 & 22) ●■
12	89-4890	1	Arm, Clutch (Pc Only) ▲		102-0365		Tree, Nozzle, Colored ●■
13	89-5887	1	Spring, Clutch (Pc Only) ▲		89-4717		Adjustment Tool ●■
					995-83		Multi-Purpose Tool ●■

● SERVICE ITEMS
▲ No longer available

■ Not illustrated
◆ Not serviced separately

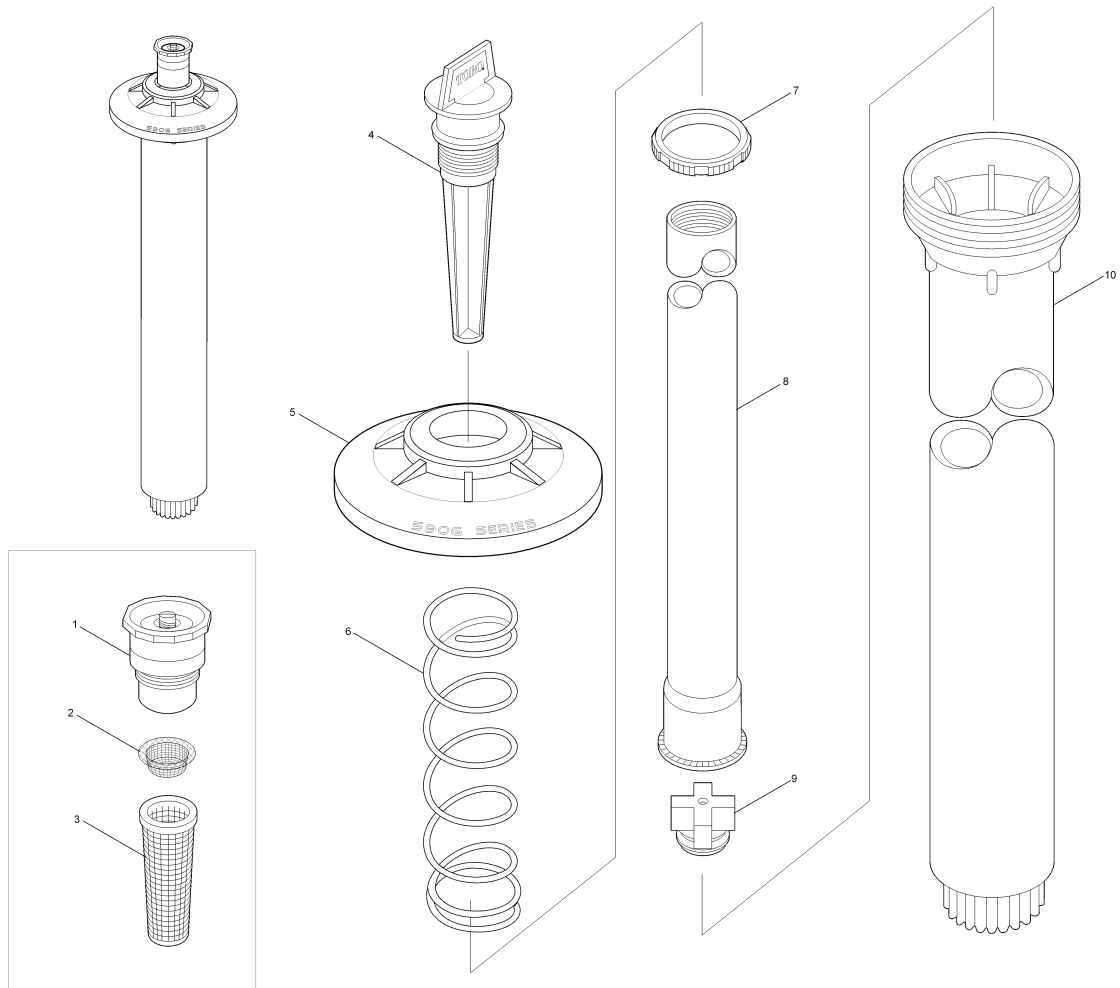


590GF-4 and 590GF-6

Ref.	Part Number	Qty.	Description
1		1	Nozzle ■●
2	89-5548	1	Screen, Filter, Sst
3	9-5112	1	Screen, Riser, White, Plastic, Regular Mesh
3	89-8738	1	Screen, Riser, Red, Plastic, Fine Mesh
4	102-0621	1	Flush Plug, Prx & Xf
5	102-7425	1	Cap, Black
5	102-7946	1	Cap, Lavender
6	35-9632	1	Spring, 4", Com
6	35-9633	1	Spring, 6", Com
7	118-1133	1	Ring, Ratchet
8	89-0969	1	Riser, 4"
8	102-0971	1	Riser Assy., Prx, 4"
8	89-0856	1	Riser, 6"
8	102-0972	1	Riser Assy., Prx, 6"
9	118-0590	1	Check Valve
10	118-0611	1	Body, 4"
10	118-0788	1	Body, 6"

● Not serviced separately

■ See 570 Nozzles Section.



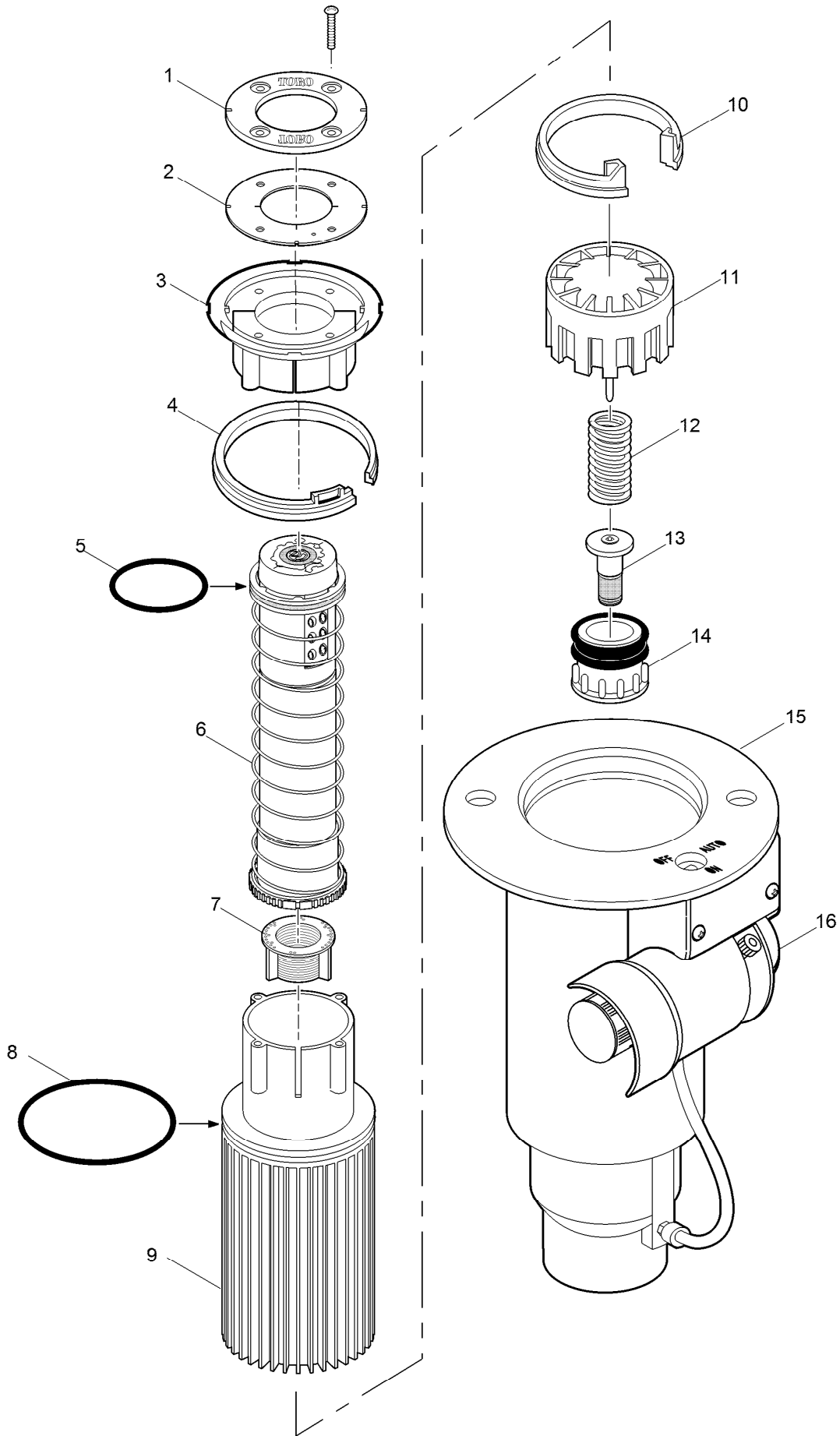
590GF-12

Ref.	Part Number	Qty.	Description
1		1	Nozzle ■●
2	89-5548	1	Screen, Filter, Sst
3	9-5112	1	Screen, Riser, White, Plastic, Regular Mesh
3	89-8738	1	Screen, Riser, Red, Plastic, Fine Mesh
4	102-0621	1	Flush Plug, Prx & Xf
5	102-7425	1	Cap, Black
5	102-7946	1	Cap, Lavender
6	35-9634	1	Spring, 12", Com
7	89-0855	1	Ring, Ratchet
8	102-1246	1	Riser, 12"
8	102-2917	1	Riser Assy., Prx, 12"
9	118-0590	1	Check Valve
10	9-7236	1	Body, 12"

● Not serviced separately

■ See 570 Nozzles Section.

720 Series Sprinkler

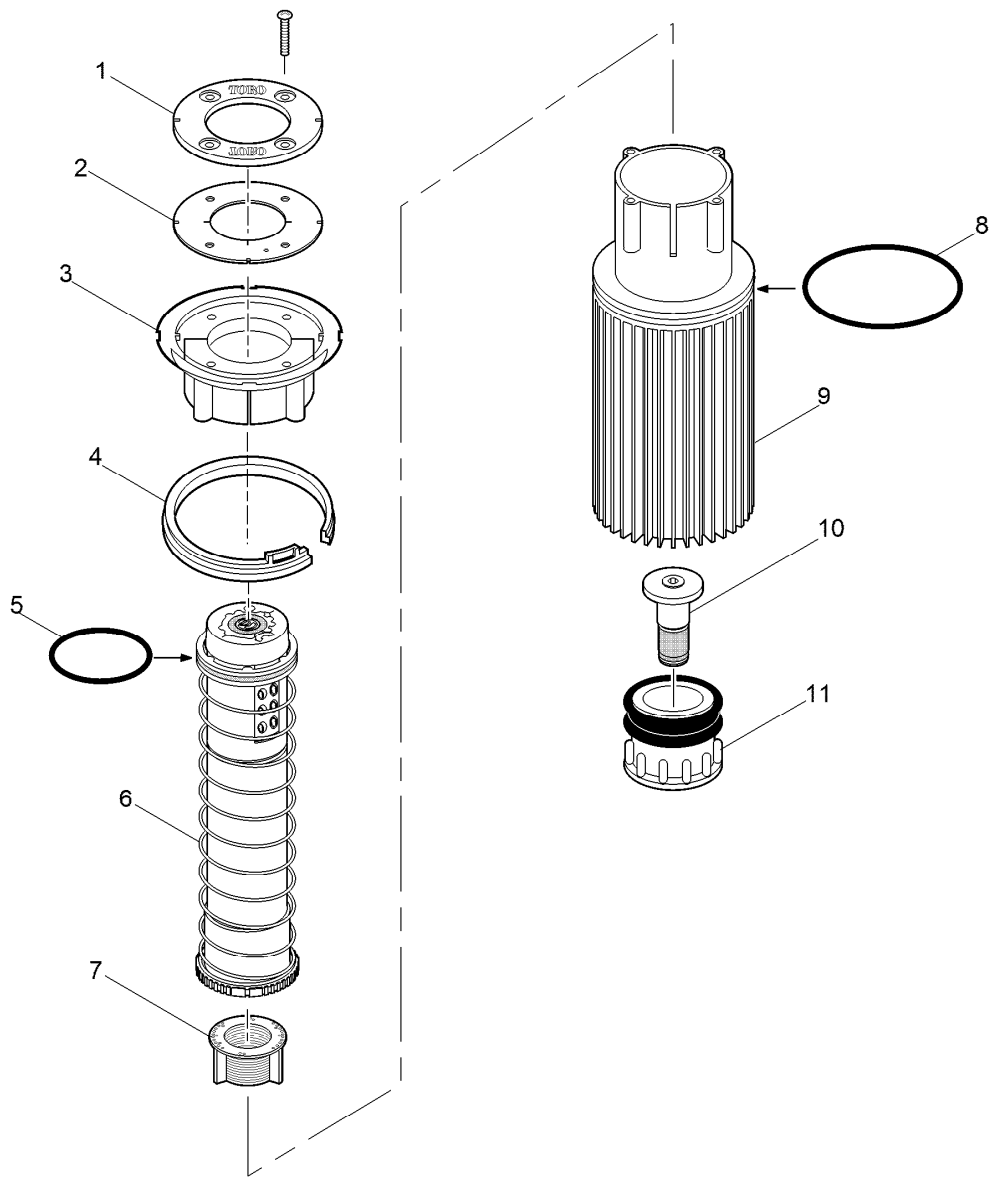


720 Series Sprinkler (continued)

<i>Ref.</i>	<i>Part Number</i>	<i>Qty.</i>	<i>Description</i>	<i>Ref.</i>	<i>Part Number</i>	<i>Qty.</i>	<i>Description</i>
1	102-0257	1	Retainer, Debris Seal	11	9-1487	1	Cylinder Assy., EI & NC
1	102-0258	1	Retainer, Debris Seal, Effluent	12	3-2633	1	Spring, Valve, No, EI & NC
2	102-5385	1	Seal, Debris	13	102-0081	1	Piston Assy., EI, Low Flow (Includes Item 14)
3		1	Support, Riser, Ribbed Body ▲	14	35-9646	1	Filter Assy., Metering, EI, NC
4	89-1385	1	Snap Ring, Riser	15		1	Body Assy. (See Golf Sprinkler Body Assembly) ▲
5	363-4195	1	O-Ring, 0.070" X 1.864" X 2.004", Buna	16		1	Pilot Valve Assy. (See Pilot Valve Assembly.) ▲
6	89-9725	1	Riser Assembly, Part Circle (Includes Items 5, 6 And 7)		995-15		Selector Tool (Flag Key) ●■
6	89-9726	1	Riser Assembly, Full Circle (Includes Items 5, 6 And 7)		995-100		Valve Snap Ring Pliers With Screen Remover ●■
7	89-9428	1	Screen		995-08		Valve Removal Tool ●■
8	363-4102	1	O-Ring, Paraffin As-568 232		995-76		Valve Insertion Tool ●■
9	89-9443	1	Sleeve, Riser		995-83		Multi-Purpose Tool ●■
10	89-4702	1	Snap Ring, Valve		89-7350		Adjustment Key ●■

● SERVICE TOOLS
▲ Not serviced separately

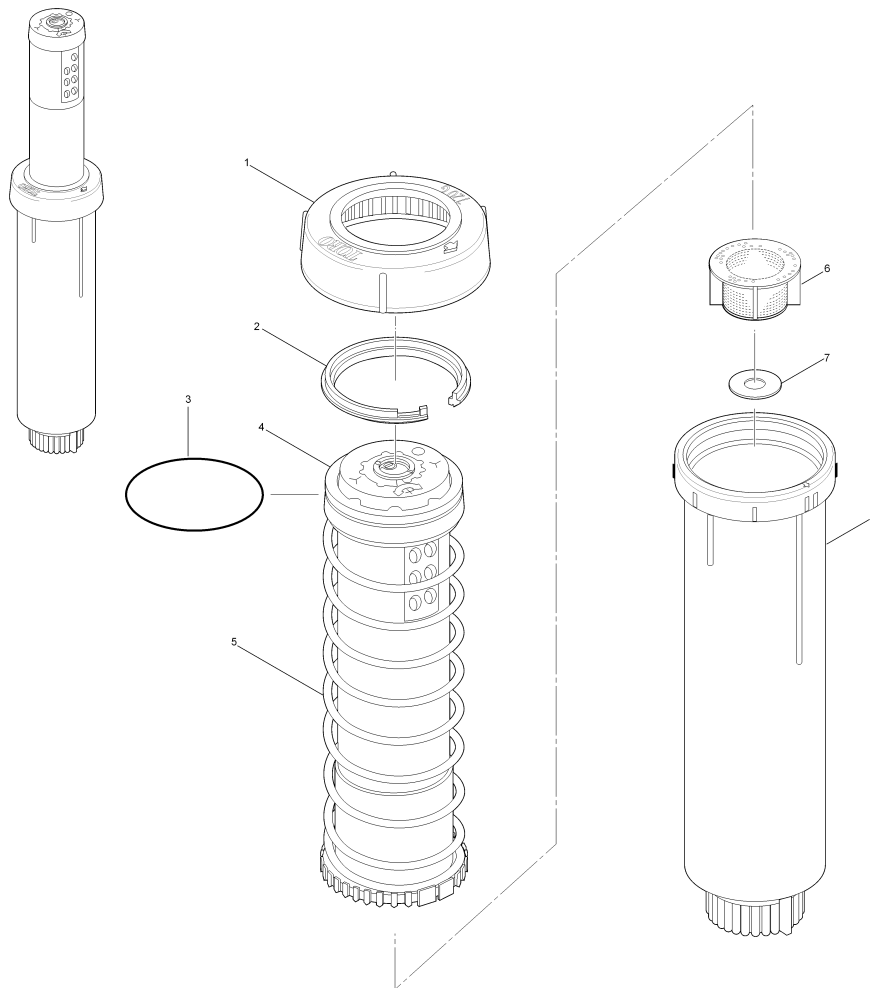
■ Not illustrated



720 Series Conversion Assembly

Ref.	Part Number	Qty.	Description
1	102-0257	1	Retainer, Debris Seal
1	102-0258	1	Retainer, Debris Seal, Effluent
2	102-5385	1	Seal, Debris
3		1	Support, Riser, Ribbed Body ●
4	89-1385	1	Snap Ring, Riser
5	363-4195	1	O-Ring, 0.070" X 1.864" X 2.004", Buna
6	89-9725	1	Riser Assembly, Part Circle (Includes Items 5, 6 And 7.)
6	89-9726	1	Riser Assembly, Full Circle (Includes Items 5, 6 And 7.)
7	89-9428	1	Screen
8	363-4102	1	O-Ring, Paraffin As-568 232
9	89-9443	1	Sleeve, Riser
10	35-9646	1	Filter Assy., Metering, EI, NC
11	102-0081	1	Piston Assy., EI, Low Flow (Includes Item 10)

● Not serviced separately

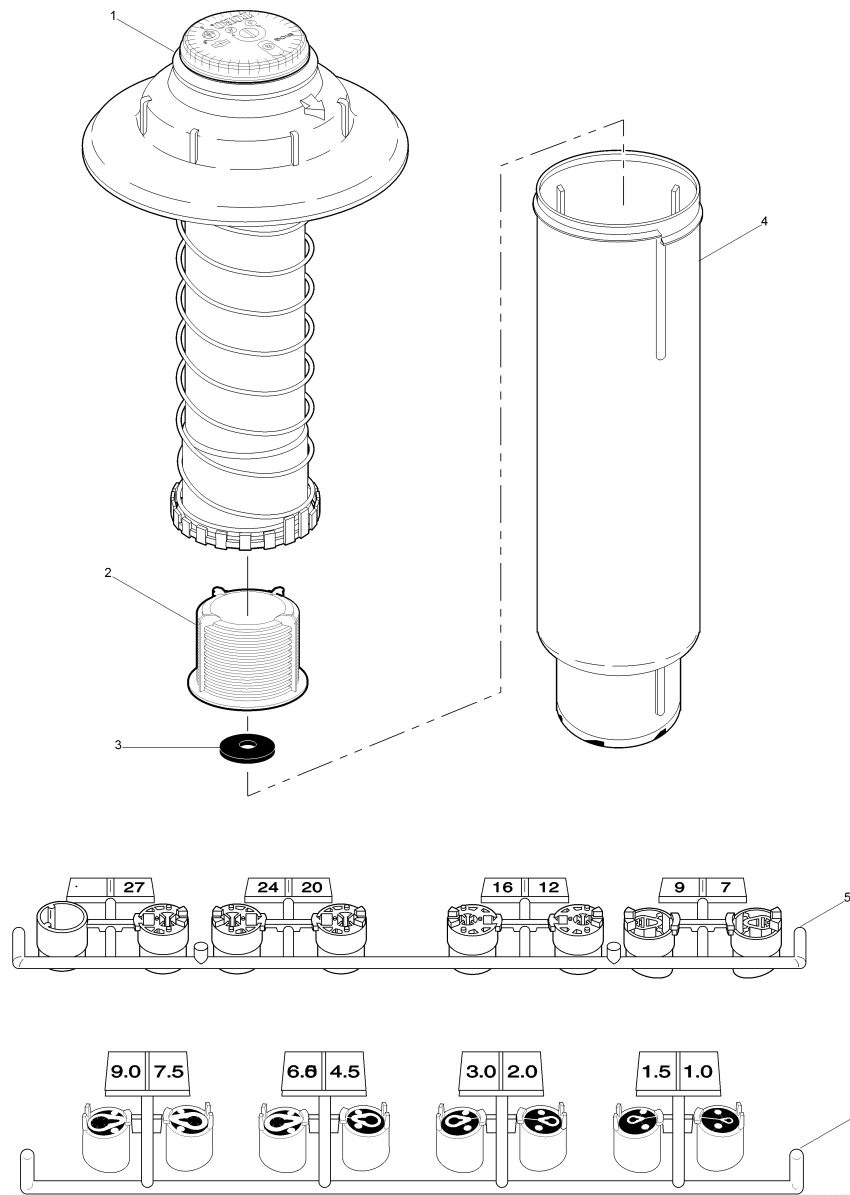


720G Series

Ref.	Part Number	Qty.	Description
1	102-2277	1	Cover, Rubber Body
2	89-8657	1	Snap Ring
3	363-4195	1	O-Ring, 0.070" X 1.864" X 2.004" Buna
4		1	Retainer W/Seal (See Service Item 102-2247) ◆
5	89-9725	1	Riser Assembly, Part Circle
5	89-9726	1	Riser Assembly, Full Circle
6	89-9428	1	Screen
7	89-7561	1	Seal, Check, Com
8		1	Body ◆
	102-2247		Retainer W/ O-Ring (Includes Items 3 & 4) ● ▲
	995-83		Multi-Purpose Tool ■ ▲
	89-7350		Adjustment Key ■ ▲

● SERVICE ITEMS
▲ Not illustrated

■ SERVICE TOOLS
◆ Not serviced separately

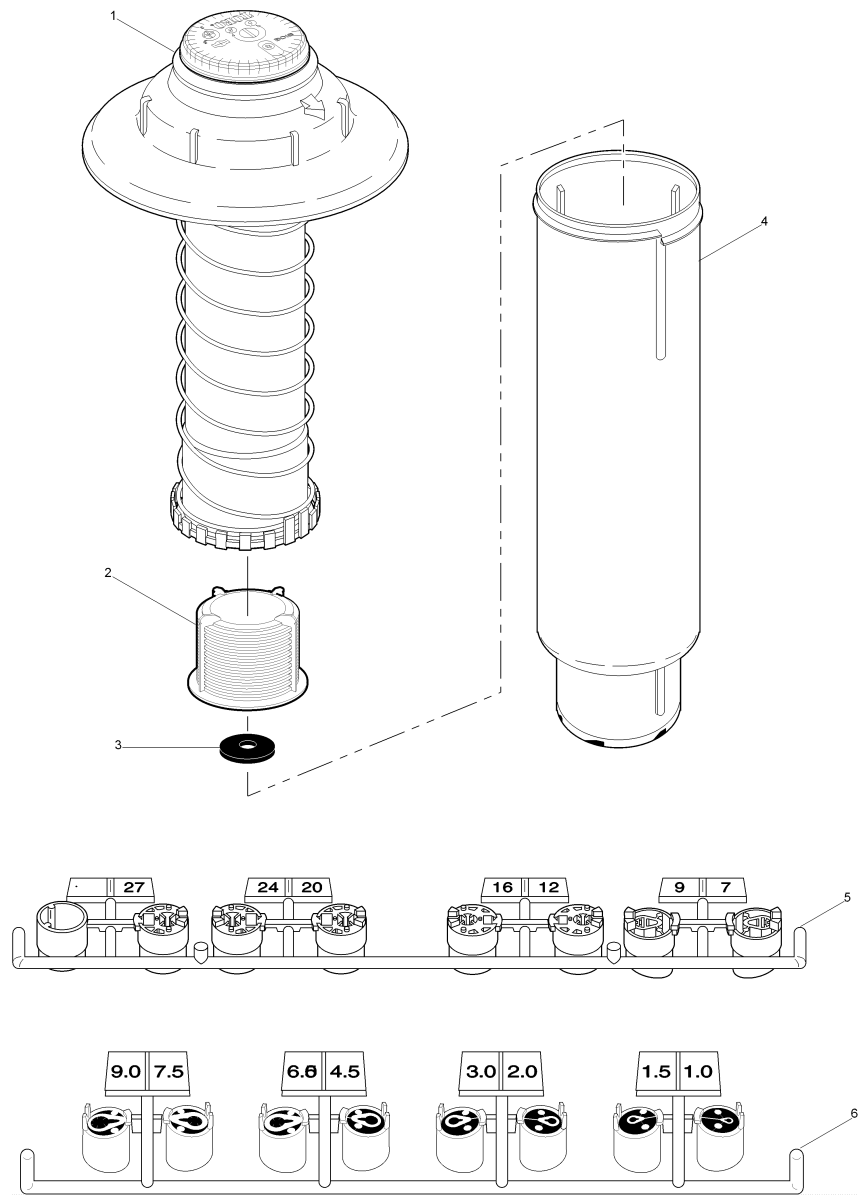


810G and 810GL

Ref.	Part Number	Qty.	Description
1		1	810G/GI Riser Assy. ▲
2		1	Screen ▲
3	89-9183	1	Seal, Check
4		1	Body Assy. ▲
5	102-2633	1	Tree, Nozzle, T7, Stamped, High Flow
6	102-1877	1	Tree, Nozzle, T7, Low Flow
	102-6527	1	Adjustment Tool ●■

● SERVICE TOOLS
▲ Not serviced separately

■ Not illustrated

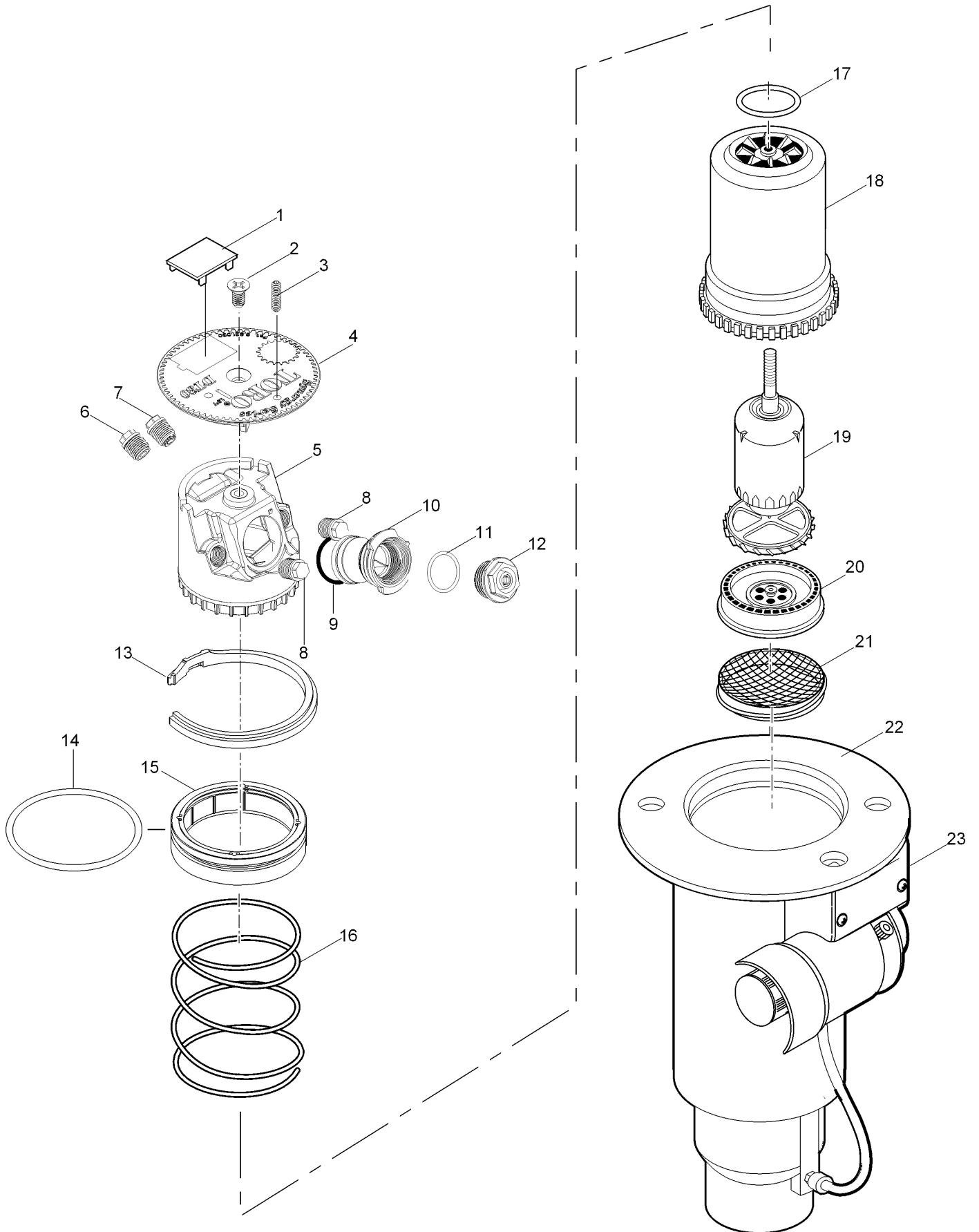


810G and 810GL (continued)

● SERVICE TOOLS
 ▲ Not serviced separately

■ Not illustrated

DT34 Series Sprinkler



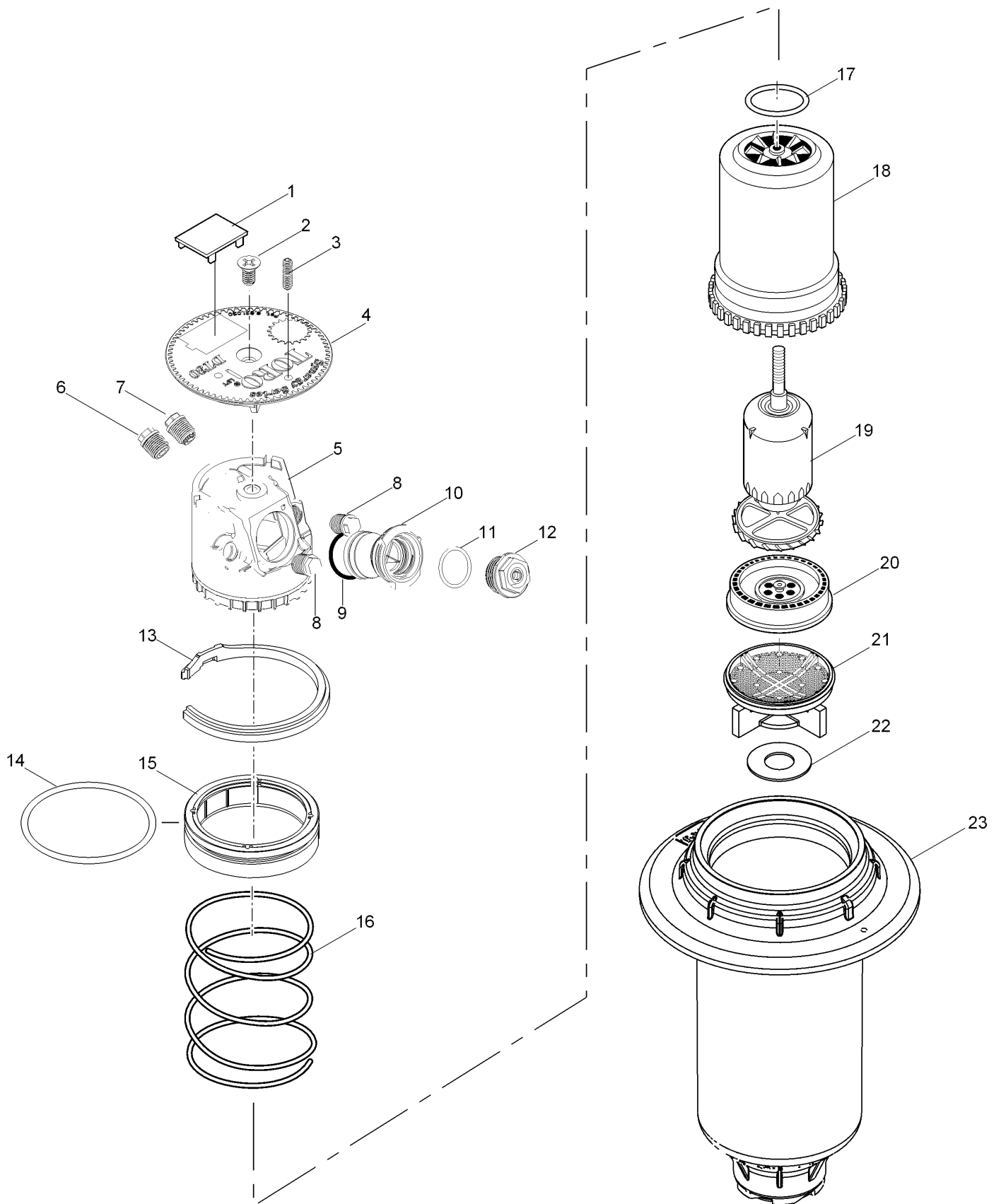
DT34 Series Sprinkler (continued)

<i>Ref.</i>	<i>Part Number</i>	<i>Qty.</i>	<i>Description</i>	<i>Ref.</i>	<i>Part Number</i>	<i>Qty.</i>	<i>Description</i>
1	89-1589	1	Plug, Cap (Black)	19	102-4503	1	Drive Assembly, 12-Pack
2	102-0362	1	Screw, Cap	20	102-6929	1	Stator, Low Flow, High Velocity (Used W/ #1-4 Main Nozzles)
3	363-4839	1	Radius Reduction Screw	20	102-1940	1	Stator Assembly, Medium Flow (Used W/ #5-7 Main Nozzles)
4	118-6918	1	Cap, Flx, Series	21	102-1715	1	Screen, Riser
4	118-6919	1	Cap, Flx, Effluent	22		1	Body Assembly (See Golf Sprinkler Body Assembly) ♦
5	102-5837	1	Nozzle Base Assembly	23		1	Pilot Valve Assembly (See Pilot Valve) ♦
6	102-2925	1	Intermediate Nozzle, Blue (Used W/ #1 Main)	102-2208			Nozzle, Main, #30 (Plug) ●▲
6	102-2926	1	Intermediate Nozzle, Orange (Used W/ #2 Main)	118-1521	1		Adapter, Main Nozzle ●▲
6	102-2928	1	Intermediate Nozzle, Red (Used W/ #3 Main)	102-5672			Cap, Blank ●▲
6	102-2929	1	Intermediate Nozzle, Beige (Used W/ #4 & 5 Mains)	102-5673			Cap, Blank, Effluent ●▲
6	102-6944	1	Intermediate Nozzle Assy., Red W/ Stream Straightener (Used W/ #6 Main)	YARDMARKYEL	1		Yardage Marker, Yellow (10-Sheets Per Pack) ●▲
6	102-6945	1	Intermediate Nozzle Assy., Gray W/ Stream Straightener (Used W/ #7 Main)	YARDMARKLAV	1		Yardage Marker, Lavender (For Non-Potable Water Applications) ●▲
6	102-6883	1	Intermediate Nozzle, Brown (Used W/ #7 Main, Front Position On The Right Of Main)	FLX34-3134	1		Conversion Assembly, W/ #31, 32, 33, 34 Nozzles ●▲
7	102-6937	1	Nozzle Assy. Inner, Yellow Nozzle W/ Yellow Helical Restrictor	FLX34-3134E	1		Conversion Assembly, W/ #31, 32, 33, 34 Nozzles, Effluent (Lavender) ●▲
8	102-4335	2	Plug, Nozzle	FLX34-3537	1		Conversion Assembly, W/ #35, 36, 37 Nozzles ●▲
9	102-5978	1	O-Ring, Nozzle Housing	FLX34-3537E	1		Conversion Assembly, W/ #35, 36, 37 Nozzles, Effluent (Lavender) ●▲
10	102-5597	1	Nozzle Housing Assy. (Includes Item 9)	995-08			Valve Removal Tool ■▲
11	363-4978	1	O-Ring, Main Nozzle	995-76			Valve Insertion Tool ■▲
12	102-0725	1	Nozzle, Main, #31, Yellow	995-15			Selector Tool (Flag Key) ■▲
12	102-7001	1	Nozzle, Main, #32, Blue	995-99			Nut Driver, 5/8" (For Main Nozzle) ■▲
12	102-0727	1	Nozzle, Main, #33, Brown	995-105			Nut Driver, 5/16" (For Inner & Intermediate Nozzles And Plugs) ■▲
12	102-7002	1	Nozzle, Main, #34, Orange	995-83			Multi-Purpose Tool ■▲
12	102-6908	1	Nozzle, Main, #35, Green	995-85			Riser Removal Tool ■▲
12	102-0730	1	Nozzle, Main, #36, Gray	995-100			Valve Snap Ring Pliers With Screen Remover ■▲
12	102-4261	1	Nozzle, Main, #37, Black	995-102	1		Riser Hold-Up Tool, Universal ■▲
13	89-1385	1	Snap Ring, Riser	118-0954	1		Riser Hold-Up Tool, Red ●▲
14	363-4102	1	O-Ring, Paraffin As-568 232				
15	102-0134	1	Retainer, Seal				
16	102-0151	1	Spring, Return				
17	363-4167	1	O-Ring, Nozzle Base				
18	102-0202	1	Riser				

● SERVICE ITEMS
▲ Not illustrated

■ SERVICE TOOLS
♦ Not serviced separately

DT34B Series Sprinkler



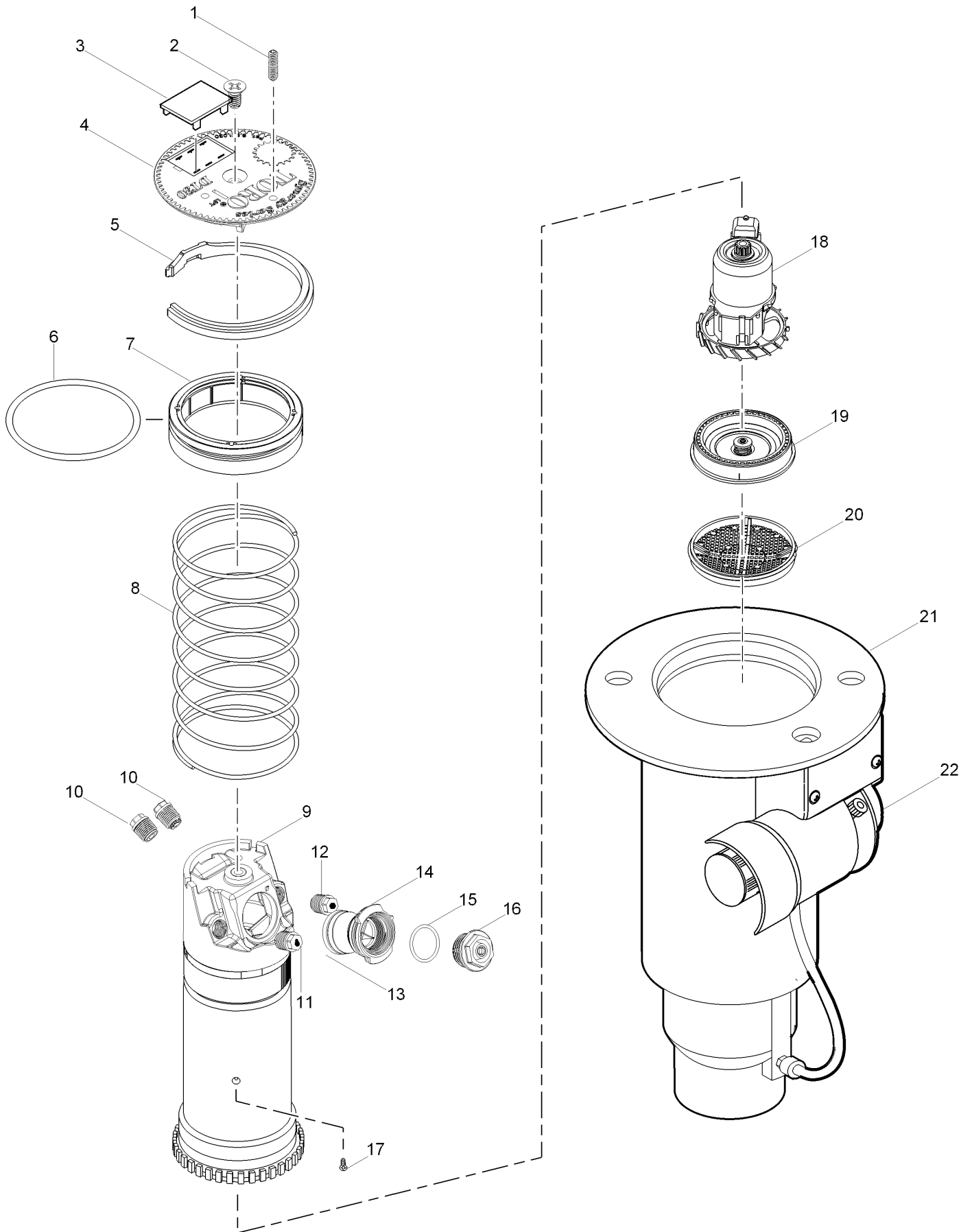
DT34B Series Sprinkler (continued)

Ref.	Part Number	Qty.	Description	Ref.	Part Number	Qty.	Description
1	89-1589	1	Plug, Cap (Black)	12	102-4261	1	Nozzle, Main, #37, Black
2	102-0362	1	Screw, Cap	12	102-4260	1	Nozzle, Main, #58, Red
3	363-4839	1	Radius Reduction Screw	13	89-1385	1	Snap Ring, Riser
4	118-6918	1	Cap, Flx Series	14	363-4102	1	O-Ring, Paraffin As-568 232
4	118-6919	1	Cap, Flx Series, Effluent	15	102-0134	1	Retainer, Seal
5	102-5837	1	Nozzle Base Assembly	16	102-0151	1	Spring, Return
6	102-2925	1	Intermediate Nozzle, Blue (Used W/ #1 Main)	17	363-4167	1	O-Ring, Nozzle Base
6	102-2926	1	Intermediate Nozzle, Orange (Used W/ #2 Main)	18	102-0202	1	Riser
6	102-2928	1	Intermediate Nozzle, Red (Used W/ #3 Main)	19	102-4503	1	Drive Assembly, 12-Pack
6	102-2929	1	Intermediate Nozzle, Beige (Used W/ #4 & 5 Mains)	20	102-6929	1	Stator, Low Flow, High Velocity (Used W/ #1-4 Main Nozzles)
6	102-6944	1	Intermediate Nozzle Assy., Red W/ Stream Straightener (Used W/ #6 Main)	20	102-1940	1	Stator Assembly, Medium Flow (Used W/ #5-8 Main Nozzles)
6	102-6945	1	Intermediate Nozzle Assy., Gray W/ Stream Straightener (Used With #7 & 8 Mains)	21	102-5152	1	Screen, Riser, W/ Check Seal Holder
6	102-6883	1	Intermediate Nozzle, Brown (Used W/ #7 & 8 Main, Front Position On The Right Of Main)	22	102-7437	1	Seal, Check
7	102-6937	1	Nozzle Assy. Inner, Yellow Nozzle W/ Yellow Helical Restrictor	23	102-7419	1	Body, Npt
8	102-4335	2	Plug, Nozzle	23	102-7421	1	Body, Acme
9	102-5978	1	O-Ring, Nozzle Housing		102-2208		Nozzle, Main, #30 (Plug) ●▲
10	102-5597	1	Nozzle Housing Assy. (Includes Item 9)		118-1521	1	Adapter, Main Nozzle ●▲
11	363-4978	1	O-Ring, Main Nozzle		102-5672		Cap, Blank ●▲
12	102-0725	1	Nozzle, Main, #31, Yellow		102-5673		Cap, Blank, Effluent ●▲
12	102-7001	1	Nozzle, Main, #32, Blue		YARDMARKYEL 1		Yardage Marker, Yellow (10-Sheets Per Pack) ●▲
12	102-0727	1	Nozzle, Main, #33, Brown		YARDMARKLAV 1		Yardage Marker, Lavender (For Non-Potable Water Applications) ●▲
12	102-7002	1	Nozzle, Main, #34, Orange		995-99		Nut Driver, 5/8" (For Main Nozzle) ■▲
12	102-6908	1	Nozzle, Main, #35, Green		995-105		Nut Driver, 5/16" (For Inner & Intermediate Nozzles And Plugs) ■▲
12	102-0730	1	Nozzle, Main, #36, Gray		995-83		Multi-Purpose Tool ■▲
					995-85		Riser Removal Tool ■▲
					995-102	1	Riser Hold-Up Tool, Universal ■▲
					118-0954	1	Riser Hold-Up Tool, Red ●▲

● SERVICE ITEMS
▲ Not illustrated

■ SERVICE TOOLS

DT35 Series Sprinkler



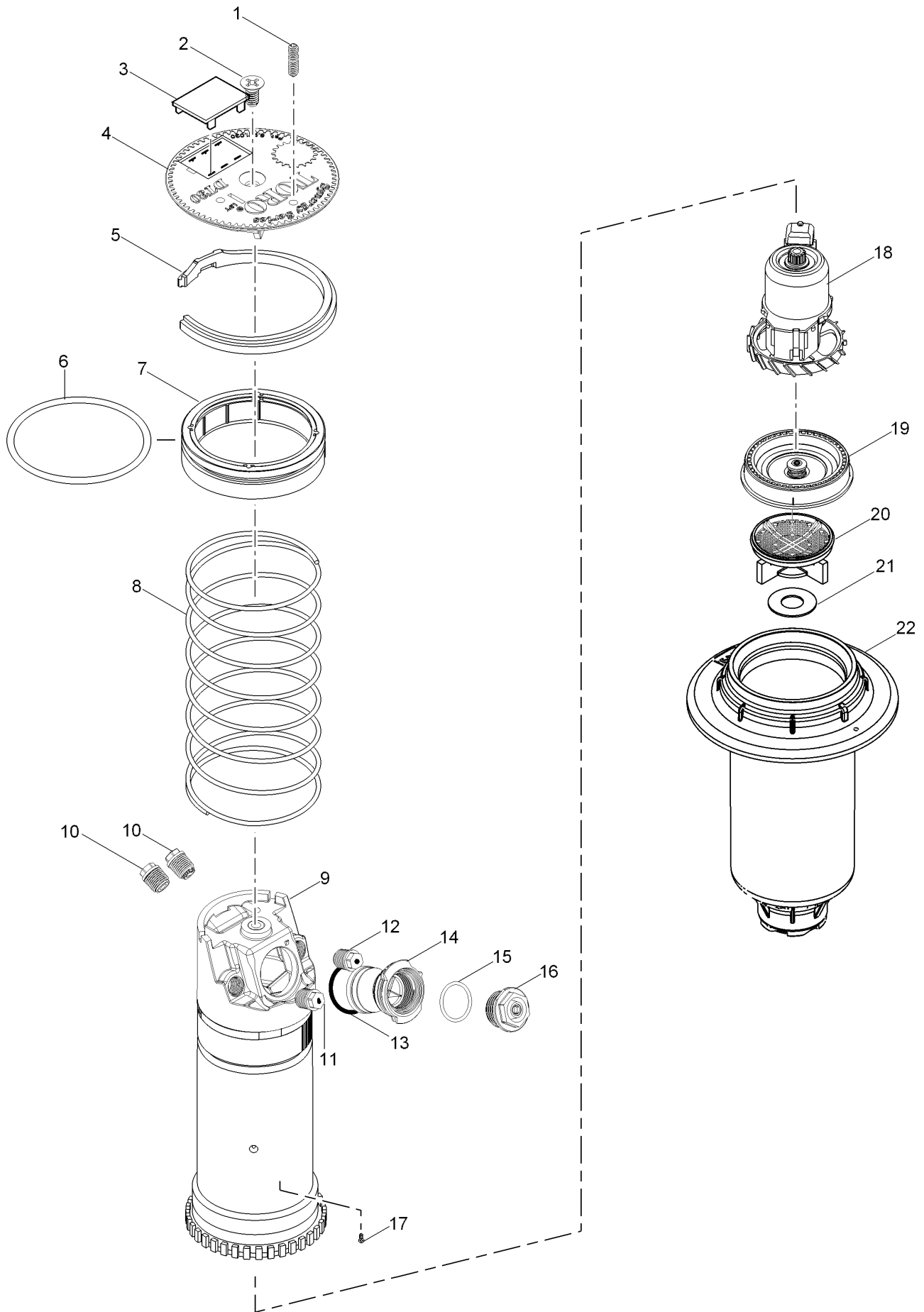
DT35 Series Sprinkler (continued)

<i>Ref.</i>	<i>Part Number</i>	<i>Qty.</i>	<i>Description</i>	<i>Ref.</i>	<i>Part Number</i>	<i>Qty.</i>	<i>Description</i>
1	363-4839	1	Radius Reduction Screw	19	102-1939	1	Stator Assembly, Low Flow (Used With #1-4 Main Nozzles)
2	102-6138	1	Screw, Cap, Black	19	118-7282	1	Stator Assembly, Medium Flow (Used With #5-7 Main Nozzles)
3	89-1589	1	Plug, Cap (Black)	20	102-1715	1	Screen, Riser
4	118-6918	1	Cap, Flx Series	21		1	Body Assembly (See Separated Golf Body Assembly Section) ♦
4	118-6919	1	Cap, Flx Series, Effluent	22		1	Pilot Valve Assembly (See Separated Pilot Valve Assembly Section) ♦
5	89-1385	1	Snap Ring, Riser		118-1521	1	Adapter, Main Nozzle ●▲
6	363-4102	1	O-Ring, Paraffin As-568 232		102-5672		Cap, Blank ●▲
7	102-0134	1	Retainer, Seal		102-5673		Cap, Blank, Effluent ●▲
8	102-0151	1	Spring, Return		YARDMARKYEL	1	Yardage Marker, Yellow (10-Sheets Per Pack) ●▲
9	102-5730	1	Riser Assembly		YARDMARKLAV	1	Yardage Marker, Lavender (For Non-Potable Water Applications) ●▲
10	102-4335	2	Plug, Nozzle		FLX35-3134	1	Conversion Assy., W/ #31, 32, 33, 34 Nozzles ●▲
11	102-5670	1	Nozzle Assy. Inner, Yellow W/ White Helical Restrictor (Used W/ #0-5 Mains)		FLX35-3134E	1	Conversion Assy., W/ #31, 32, 33, 34 Nozzles, Effluent ●▲
11	102-6531	1	Nozzle Assy., Inner, Green W/ White Helical Restrictor (Used W/ #6-7 Mains)		FLX35-3537	1	Conversion Assy., W/ #35, 36, 37 Nozzles ●▲
12	102-6942	1	Intermediate Nozzle Assy., Beige W/ Stream Straightener (Used W/ #0 Main)		FLX35-3537E	1	Conversion Assy., W/ #35, 36, 37 Nozzles, Effluent ●▲
12	102-5671	1	Intermediate Nozzle Assy., Brown W/ Stream Straightener (Used W/ #1 Main)		995-08		Valve Removal Tool ■▲
12	102-6884	1	Intermediate Nozzle, Yellow (Used W/ #2-4 Mains)		995-76		Valve Insertion Tool ■▲
12	102-6885	1	Intermediate Nozzle, Green (Used W/ #5-7 Mains)		995-15		Selector Tool (Flag Key) ■▲
13	102-5978	1	O-Ring, Nozzle Housing		995-99		Nut Driver, 5/8" (For Main Nozzle) ■▲
14	102-5597	1	Nozzle Housing Assy. (Includes Item 13)		995-105		Nut Driver, 5/16" (For Inner & Intermediate Nozzles And Plugs) ■▲
15	363-4978	1	O-Ring, Main Nozzle		995-83		Multi-Purpose Tool ■▲
16	102-2208	1	Nozzle, Main, #30 (Plug)		995-85		Riser Removal Tool ■▲
16	102-6906	1	Nozzle, Main, #31, Yellow		995-100		Valve Snap Ring Pliers With Screen Remover ■▲
16	102-0726	1	Nozzle, Main, #32, Blue		995-102	1	Riser Hold-Up Tool, Universal ■▲
16	102-6907	1	Nozzle, Main, #33, Brown		118-0954	1	Riser Hold-Up Tool, Red ●▲
16	102-0728	1	Nozzle, Main, #34, Orange				
16	102-6955	1	Nozzle, Main, #35, Green				
16	102-6935	1	Nozzle, Main, #36, Gray				
16	102-6936	1	Nozzle, Main, #37, Black				
17	363-4236	1	Screw, Drive				
18	102-4504	1	Drive Assy., 12-Pack				
19	102-6929	1	Stator, Low Flow, High Velocity (Used W/ #0 Main)				

● SERVICE ITEMS
▲ Not illustrated

■ SERVICE TOOLS
♦ Not serviced separately

DT35B Series Sprinkler



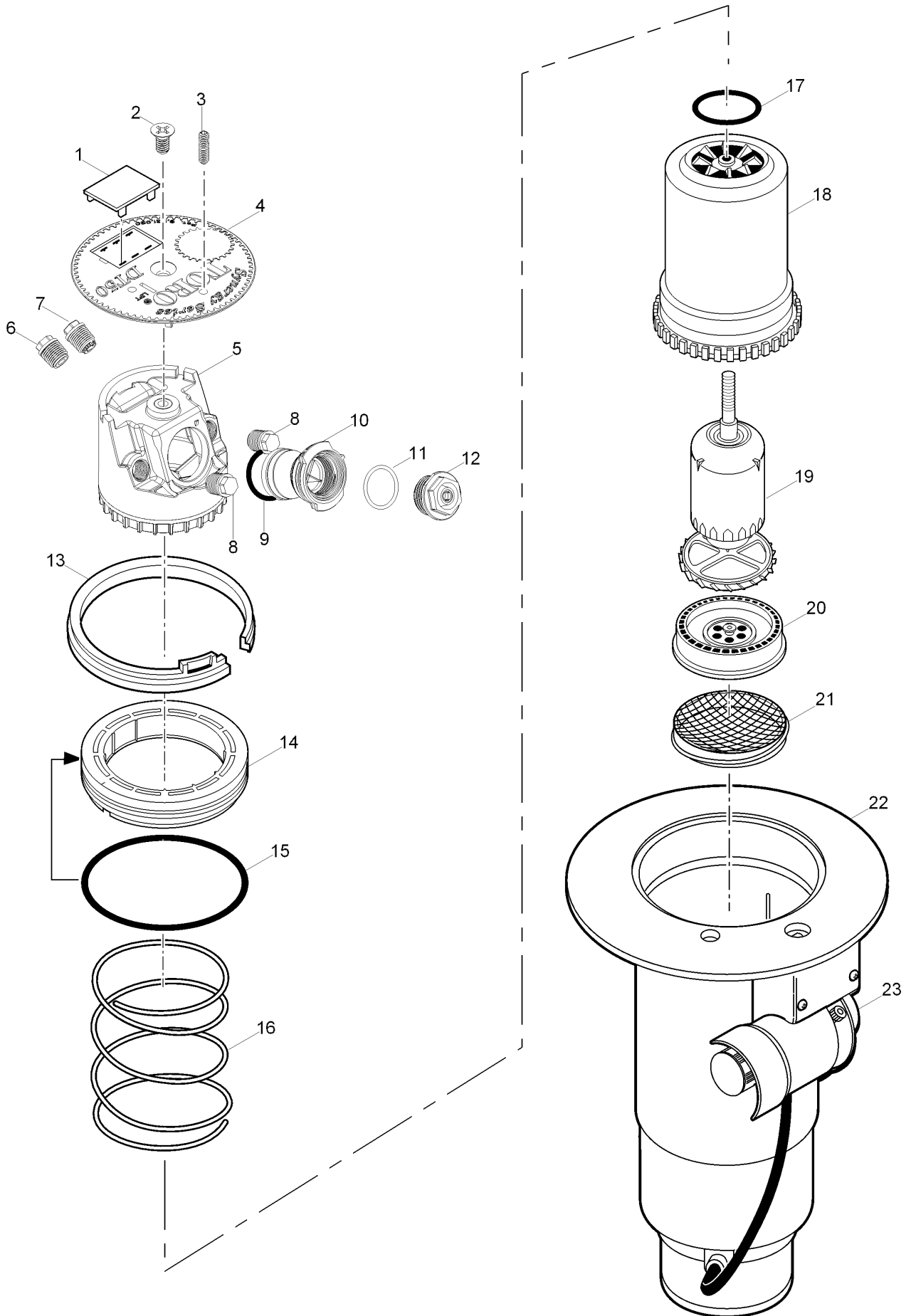
DT35B Series Sprinkler (continued)

<i>Ref.</i>	<i>Part Number</i>	<i>Qty.</i>	<i>Description</i>	<i>Ref.</i>	<i>Part Number</i>	<i>Qty.</i>	<i>Description</i>
1	363-4839	1	Radius Reduction Screw	16	102-6955	1	Nozzle, Main, #35, Green
2	102-6138	1	Screw, Cap, Black	16	102-6935	1	Nozzle, Main, #36, Gray
3	89-1589	1	Plug, Cap (Black)	16	102-6936	1	Nozzle, Main, #37, Black
4	118-6918	1	Cap, Flx Series	16	102-4260	1	Nozzle, Main, #58, Red
4	118-6919	1	Cap, Flx Series, Effluent	17	363-4236	1	Screw, Drive
5	89-1385	1	Snap Ring, Riser	18	102-4504	1	Drive Assy., 12-Pack
6	363-4102	1	O-Ring, Paraffin As-568 232	19	102-6929	1	Stator, Low Flow, High Velocity (Used W/ #0 Main Nozzle)
7	102-0134	1	Retainer, Seal	19	102-1939	1	Stator Assembly, Low Flow (Used With #1-4 Main Nozzles)
8	102-0151	1	Spring, Return	19	118-7282	1	Stator Assembly, Medium Flow (Used W/ #5-8 Mains)
9	102-5730	1	Riser Assembly	20	102-5152	1	Screen, Riser, W/ Check Seal Holder
10	102-4335	2	Plug, Nozzle	21	102-7437	1	Seal, Check
11	102-5670	1	Nozzle Assy. Inner, Yellow W/ White Helical Restrictor (Used W/ #0-5 Mains)	22	102-7419	1	Body, Npt
11	102-6531	1	Nozzle Assy., Inner, Green W/ White Helical Restrictor (Used W/ #6-8 Mains)	22	102-7421	1	Body, Acme
12	102-6942	1	Intermediate Nozzle Assy., Beige W/ Stream Straightener (Used W/ #0 Main)	118-1521	1	Adapter, Main Nozzle ■◆	
12	102-5671	1	Intermediate Nozzle Assy., Brown W/ Stream Straightener (Used W/ #1 Main)	102-5672	1	Cap, Blank ■◆	
12	102-6884	1	Intermediate Nozzle, Yellow (Used W/ #2-4 Mains)	102-5673	1	Cap, Blank, Effluent ■◆	
12	102-6885	1	Intermediate Nozzle, Green (Used W/ #5-8 Mains)	YARDMARKYEL 1	1	Yardage Marker, Yellow (10-Sheets Per Pack) ■◆	
13	102-5978	1	O-Ring, Nozzle Housing	YARDMARKLAV 1	1	Yardage Marker, Lavender (For Non-Potable Water Applications) ■◆	
14	102-5597	1	Nozzle Housing Assy. (Includes Item 3)	995-99	1	Nut Driver, 5/8" (For Main Nozzle) ▲◆	
15	363-4978	1	O-Ring, Main Nozzle	995-105	1	Nut Driver, 5/16" (For Inner & Intermediate Nozzles And Plugs) ▲◆	
16	102-2208	1	Nozzle, Main, #30 (Plug)	995-83	1	Multi-Purpose Tool ●◆	
16	102-6906	1	Nozzle, Main, #31, Yellow	995-85	1	Riser Removal Tool ▲◆	
16	102-0726	1	Nozzle, Main, #32, Blue	995-102	1	Riser Hold-Up Tool, Universal ▲◆	
16	102-6907	1	Nozzle, Main, #33, Brown	118-0954	1	Riser Hold-Up Tool, Red ■◆	
16	102-0728	1	Nozzle, Main, #34, Orange				

● Service Tool
▲ SERVICE TOOLS

■ SERVICE ITEMS
◆ Not illustrated

DT54 Series Sprinkler



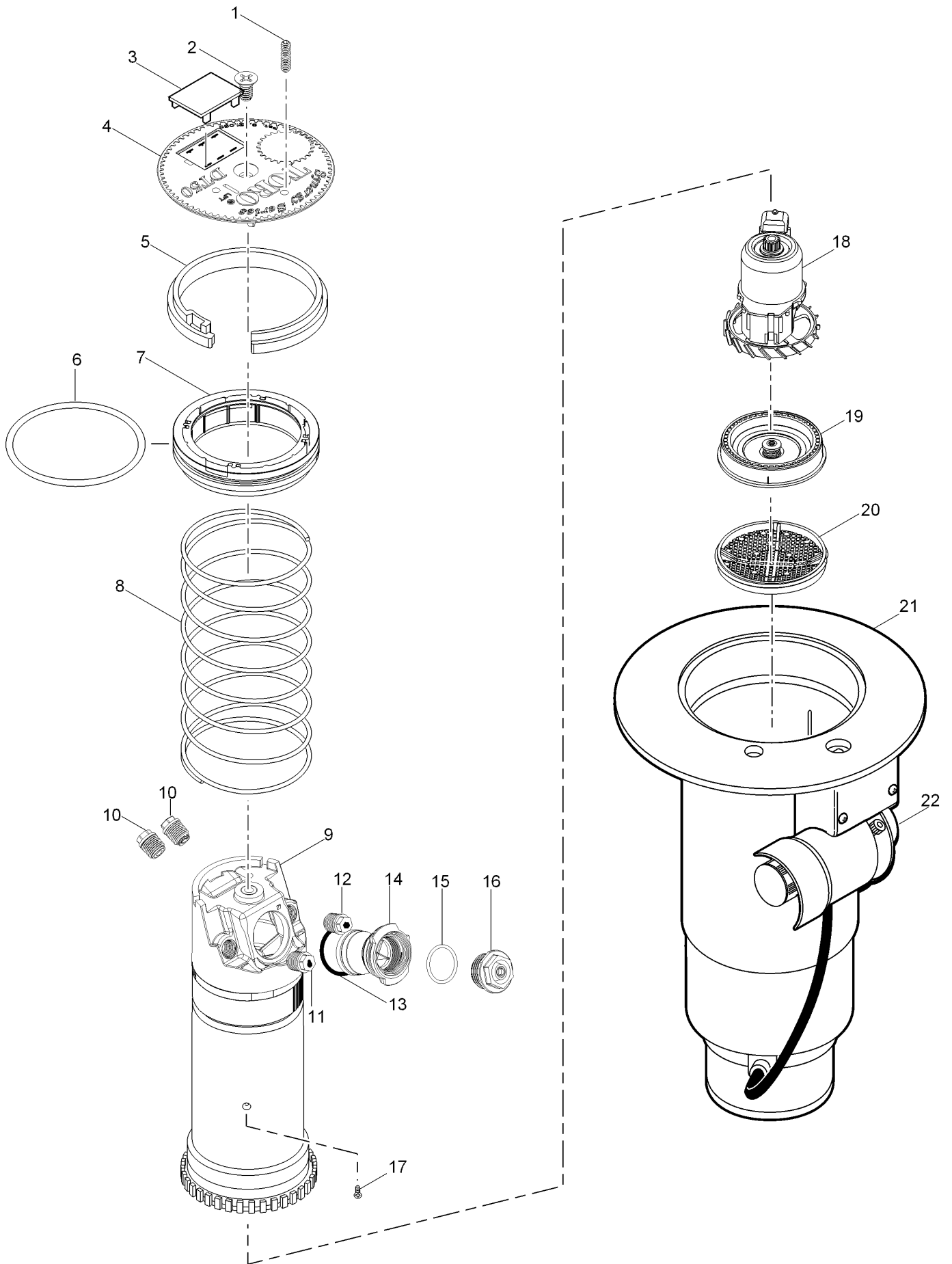
DT54 Series Sprinkler (continued)

<i>Ref.</i>	<i>Part Number</i>	<i>Qty.</i>	<i>Description</i>	<i>Ref.</i>	<i>Part Number</i>	<i>Qty.</i>	<i>Description</i>
1	89-1589		Plug, Cap (Black)	20	118-7282	1	Stator Assembly, High Flow (Used W/ #9 Main)
2	102-0362		Screw, Cap	21	102-1715		Screen, Riser
3	363-4839		Radius Reduction Screw	22			Body Assembly (See Separate Golf Body Assembly Section.) ♦
4	118-6922	1	Cap, Flx 54/55	23			Pilot Valve Assembly (See Separate Pilot Valve Assembly Section.) ♦
4	102-5589		Cap, Dt 54/55, Effluent		102-2208		Nozzle, Main, #30 (Plug) ●▲
5	102-5837		Nozzle Base Assembly		118-1521	1	Adapter, Main Nozzle ●▲
6	102-2925		Intermediate Nozzle, Blue (Used W/ #1 Main)		102-5675		Cap, Blank, Effluent ●▲
6	102-2926		Intermediate Nozzle, Orange (Used W/ #2 Main)		102-0950		Adapter, Conversion ●▲
6	102-2928		Intermediate Nozzle, Red (Used W/ #3 Main)		102-5011		Adapter, Conversion, 690 ●▲
6	102-2929		Intermediate Nozzle, Beige (Used W/ #4-5 Mains)		YARDMARKYEL	1	Yardage Marker, Yellow (10-Sheets Per Pack) ●▲
6	102-6944		Intermediate Nozzle Assy., Red W/ Stream Straightener (Used W/ #6 Main)		YARDMARKLAV	1	Yardage Marker, Lavender (For Non-Potable Water Applications) ●▲
6	102-6945		Intermediate Nozzle Assy., Gray W/ Stream Straightener (Used W/ #7-9 Mains)		FLX54-5154	1	Conversion, Full Circle, W/ #51, 52, 53, 54 Nozzles ●▲
6	102-6883		Intermediate Nozzle, Brown (Used W/ #7-8 Mains, Front Position, Right Of Main)		FLX54-5154E	1	Conversion, Full Circle, W/ #51, 52, 53, 54 Nozzles And Effluent Cap ●▲
7	102-6937		Nozzle Assy. Inner, Yellow Nozzle W/ Yellow Helical Restrictor		FLX54-5558	1	Conversion Assembly, 854S W/ #55, 56, 57, 58 Nozzles ●▲
8	102-4335		Plug, Nozzle		FLX54-5558E	1	Conversion, Full Circle, W/ #55, 56, 57, 58 Nozzles And Effluent Cap ●▲
9	102-5978		O-Ring, Nozzle Housing		FLX54-59	1	Conversion, Full Circle, W/ #59 Nozzle ●▲
10	102-5597		Nozzle Housing Assy. (Includes Item 9)		FLX54-59E	1	Conversion, Full Circle, W/ #59 Nozzle And Effluent Cap ●▲
11	363-4978	1	O-Ring, Main Nozzle		995-09		Valve Removal Tool ■▲
12	102-0725		Nozzle, Main, #31, Yellow		995-101		Valve Insertion Tool ■▲
12	102-7001		Nozzle, Main, #32, Blue		995-15		Selector Tool (Flag Key) ■▲
12	102-0727		Nozzle, Main, #33, Brown		995-99		Nut Driver, 5/8" (For Main Nozzle) ■▲
12	102-7002		Nozzle, Main, #34, Orange		995-105		Nut Driver, 5/16" (For Inner & Intermediate Nozzles And Plugs) ■▲
12	102-6908		Nozzle, Main, #35, Green		995-83		Multi-Purpose Tool ■▲
12	102-0730		Nozzle, Main, #36, Gray		995-85		Riser Removal Tool ■▲
12	102-4261		Nozzle, Main, #37, Black		995-100		Valve Snap Ring Pliers With Screen Remover ■▲
12	102-4260		Nozzle, Main, #58, Red		995-102	1	Riser Hold-Up Tool, Universal ■
12	102-4259		Nozzle, Main, #59, Beige		118-0954	1	Riser Hold-Up Tool, Red ●▲
13	35-6119		Snap Ring, Riser				
14	102-0136		Retainer, Seal, 1.5"				
15	363-4103		O-Ring, Body				
16	102-0151		Spring, Return				
17	363-4167		O-Ring, Nozzle Base				
18	102-0203		Riser Assembly				
19	102-4503		Drive Assembly, 12-Pack				
20	102-6929		Stator, Low Flow, High Velocity (Used W/ #1-4 Mains)				
20	102-1940		Stator Assembly, Medium Flow (Used W/ #5-8 Mains)				

● SERVICE ITEMS
▲ Not illustrated

■ SERVICE TOOLS
♦ Not serviced separately

DT55



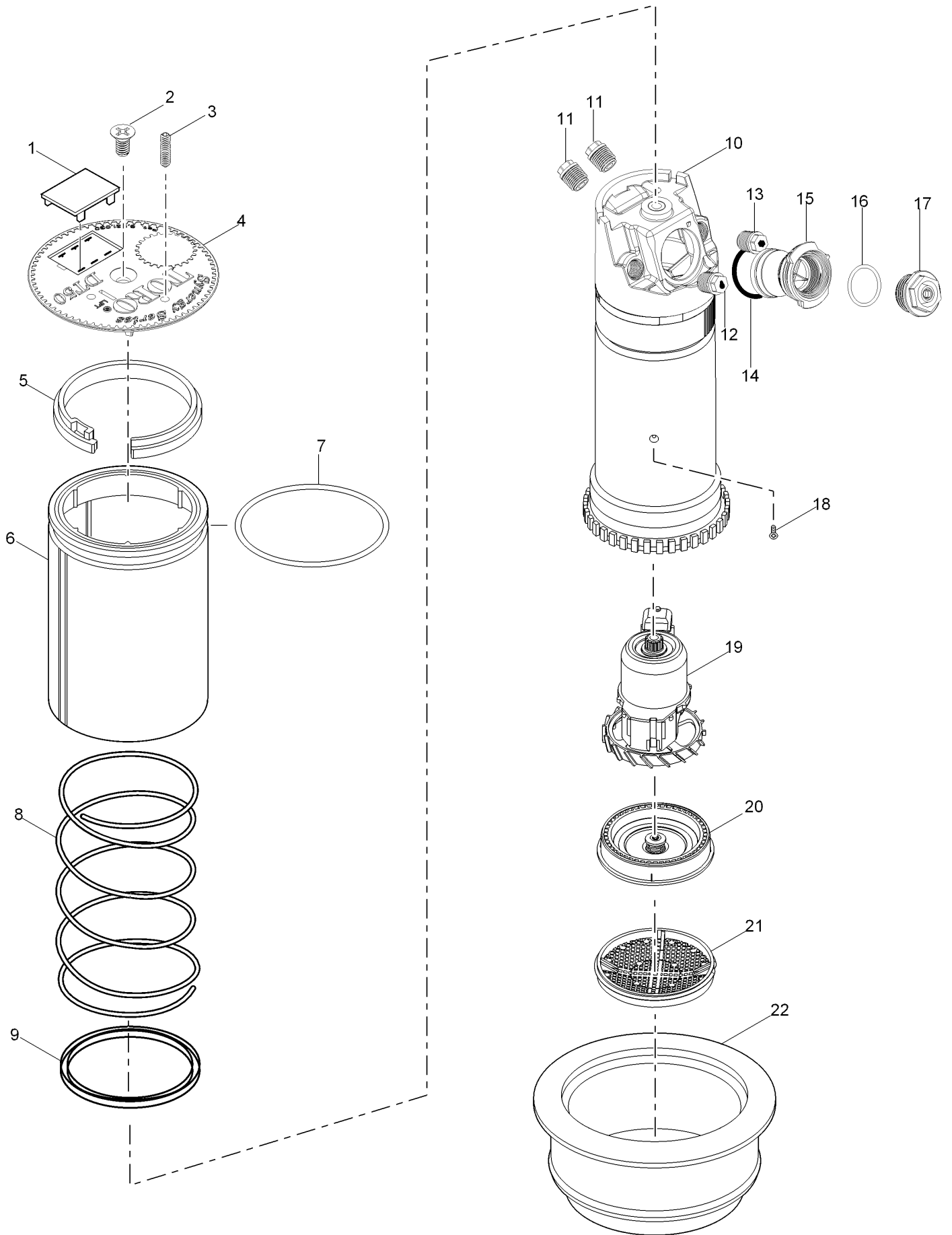
DT55 (continued)

Ref.	Part Number	Qty.	Description	Ref.	Part Number	Qty.	Description
1	363-4839	1	Radius Reduction Screw		102-5011		Adapter, Conversion, 690 ●▲
2	102-6138	1	Screw, Cap, Black	YARDMARKYEL	1		Yardage Marker, Yellow (10-Sheets Per Pack) ●▲
3	89-1589	1	Plug, Cap (Black)	YARDMARKLAV	1		Yardage Marker, Lavender (For Non-Potable Water Applications) ●▲
4	118-6922	1	Cap, Flx 54/55				
4	102-5589	1	Cap, Dt 54/55, Effluent	FLX55-5154	1		Conversion, Part & Full Circle, W/ #51-54 Nozzles ●▲
5	35-6119	1	Snap Ring, Riser				
6	363-4103	1	O-Ring, Body	FLX55-5154E	1		Conversion, Part & Full Circle, W/ #51-54 Nozzles And Effluent Cap ●▲
7	102-0136	1	Retainer, Seal, 1.5"	FLX55-5154R	1		Conversion, Part & Full Circle, W/ #51-54 Nozzles For Ribless Bodies ●▲
8	102-0151	1	Spring, Return	FLX55-5154RE	1		Conversion, Part & Full Circle, W/ #51-54 Nozzles & Effluent Cap For Ribless Bodies ●▲
9	102-5982	1	Riser Assembly	FLX55-5558	1		Conversion, Part & Full Circle, W/ #55-58 Nozzles ●▲
10	102-4335	2	Plug, Nozzle	FLX55-5558E	1		Conversion, Part & Full Circle, W/ #55-58 Nozzles And Effluent Cap ●▲
11	102-5670	1	Nozzle Assy. Inner, Yellow W/ White Helical Restrictor (Used W/ #1-5 Mains)	FLX55-5558R	1		Conversion, Part & Full Circle, W/ #55-58 Nozzles For Ribless Bodies ●▲
11	102-6531	1	Nozzle Assy., Inner, Green W/ White Helical Restrictor (Used W/ #6-9 Mains)	FLX55-5558RE	1		Conversion, Part & Full Circle, W/ #55-58 Nozzles & Effluent Cap For Ribless Bodies ●▲
12	102-6884	1	Intermediate Nozzle, Yellow (Used W/ #2-4 Mains)	FLX55-59	1		Conversion, Part & Full Circle, W/ #59 Nozzle ●▲
12	102-6885	1	Intermediate Nozzle, Green (Used W/ #5-9 Mains)	FLX55-59E	1		Conversion, Part & Full Circle, W/ #59 Nozzle And Effluent Cap ●▲
12	102-5671	1	Intermediate Nozzle Assy., Brown W/ Stream Straightener (Used W/ #1 Main)	FLX55-59R	1		Conversion, Part & Full Circle, W/ #59 Nozzle For Ribless Bodies ●▲
13	102-5978	1	O-Ring, Nozzle Housing	FLX55-59RE	1		Conversion, Part & Full Circle, W/ #59 Nozzle & Effluent Cap For Ribless Bodies ●▲
14	102-5597	1	Nozzle Housing Assy. (Includes Item 13)	995-09			Valve Removal Tool ■▲
15	363-4978	1	O-Ring, Main Nozzle	995-101			Valve Insertion Tool ■▲
16	102-6906	1	Nozzle, Main, #31, Yellow	995-15			Selector Tool (Flag Key) ■▲
16	102-0726	1	Nozzle, Main, #32, Blue	995-99			Nut Driver, 5/8" (For Main Nozzle) ■▲
16	102-6907	1	Nozzle, Main, #33, Brown	995-105			Nut Driver, 5/16" (For Inner & Intermediate Nozzles And Plugs) ■▲
16	102-0728	1	Nozzle, Main, #34, Orange	995-83			Multi-Purpose Tool ■▲
16	102-6955	1	Nozzle, Main, #35, Green	995-85			Riser Removal Tool ■▲
16	102-6935	1	Nozzle, Main, #36, Gray	995-100			Valve Snap Ring Pliers With Screen Remover ■▲
16	102-6936	1	Nozzle, Main, #37, Black	995-102	1		Riser Hold-Up Tool, Universal ■▲
16	102-6909	1	Nozzle, Main, #58, Red	118-0954	1		Riser Hold-Up Tool, Red ●▲
16	102-4259	1	Nozzle, Main, #59, Beige				
17	363-4236	1	Screw, Drive				
18	102-4504	1	Drive Assy., 12-Pack				
19	102-1939	1	Stator Assembly, Low Flow (Used With #1-4 Main Nozzles)				
19	118-7282	1	stator Assembly, Medium Flow (Used W/ #5-8 Mains)				
19	102-1941	1	Stator Assembly, High-Flow (Used W/ #9 Main)				
20	102-1715	1	Screen, Riser				
21		1	Body Assembly (See Golf Sprinkler Body Assembly Section) ◆				
22		1	Pilot Valve Assembly (See Pilot Valve Assembly Section) ◆				
	102-2208		Nozzle, Main, #30 (Plug) ●▲				
	118-1521	1	Adapter, Main Nozzle ●▲				
	102-5675		Cap, Blank, Effluent ●▲				
	102-0950		Adapter, Conversion ●▲				

● SERVICE ITEMS
▲ Not illustrated

■ SERVICE TOOLS
◆ Not serviced separately

DT55 Ribless Body Conversion



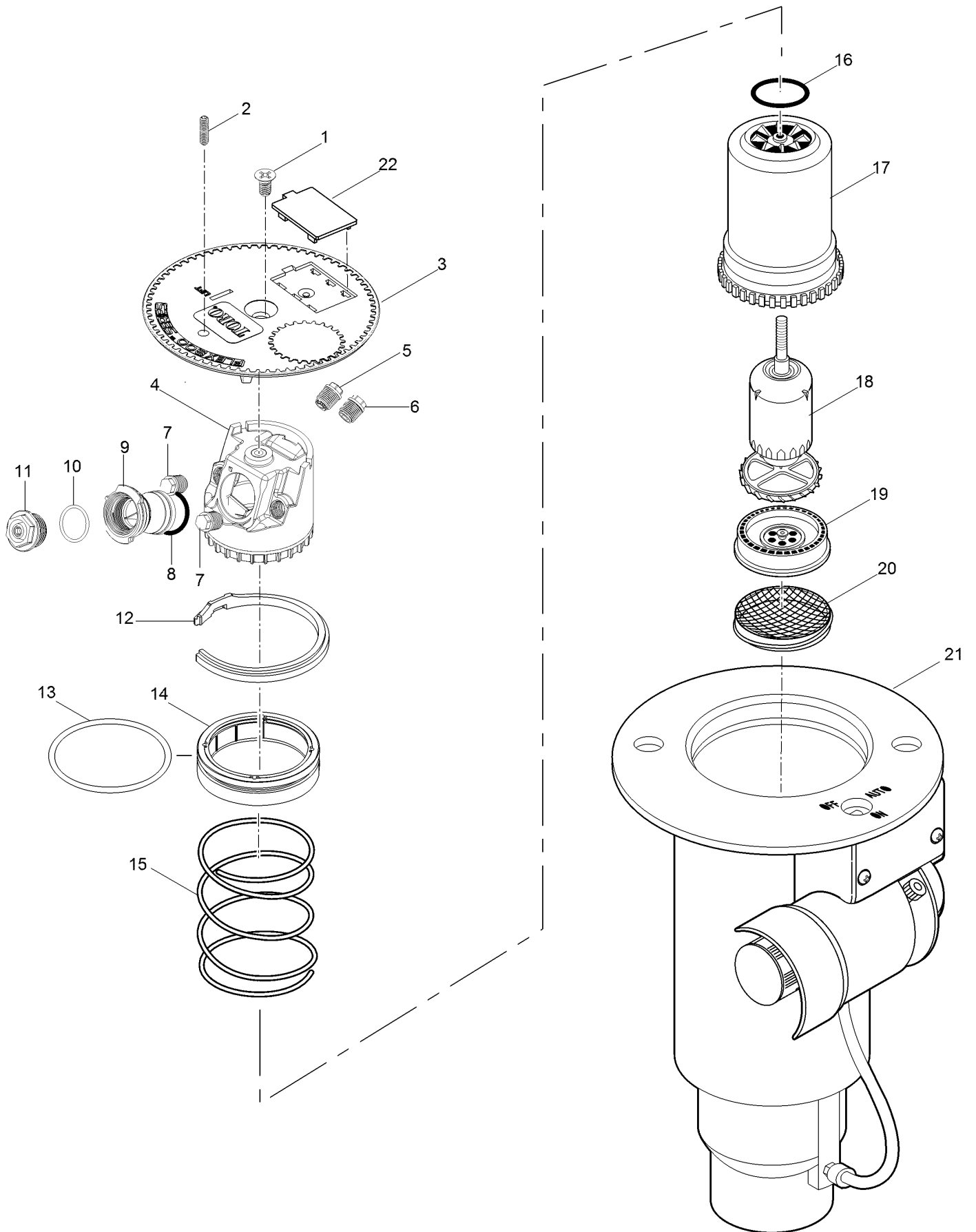
DT55 Ribless Body Conversion (continued)

<i>Ref.</i>	<i>Part Number</i>	<i>Qty.</i>	<i>Description</i>	<i>Ref.</i>	<i>Part Number</i>	<i>Qty.</i>	<i>Description</i>
1	89-1589	1	Plug, Cap (Black)	17	102-6955	1	Nozzle, Main, #35, Green
2	102-6138	1	Screw, Cap, Black	17	102-6935	1	Nozzle, Main, #36, Gray
3	363-4839	1	Radius Reduction Screw	17	102-6936	1	Nozzle, Main, #37, Black
4	118-6922	1	Cap, Flx 54/55	17	102-6909	1	Nozzle, Main, #58, Red
4	102-5589	1	Cap, Dt 54/55, Effluent	17	102-4259	1	Nozzle, Main, #59, Beige
5	35-6119	1	Snap Ring, Riser	18	363-4236	1	Screw, Drive
6	89-7568	1	Sleeve, Retainer, O-Ring, Conversion	19	102-4504	1	Drive Assy., 12-Pack
7	363-4103	1	O-Ring, Body	20	102-1939	1	Stator Assembly, Low Flow (Used With #1-4 Main Nozzles)
8	102-0151	1	Spring, Return	20	118-7282	1	Stator Assembly, Medium Flow (Used W/ #5-8 Mains)
9	89-7569	1	Seal, Riser	20	102-1941	1	Stator Assembly, High-Flow (Used W/ #9 Main)
10	102-5730	1	Riser Assembly	21	102-1715	1	Screen, Riser
11	102-4335	2	Plug, Nozzle	22	102-0950	1	Adapter, Conversion
12	102-5670	1	Nozzle Assy. Inner, Yellow W/ White Helical Restrictor (Used W/ #1-5 Mains)		102-5674		Cap, Blank ●▲
12	102-6531	1	Nozzle Assy., Inner, Green W/ White Helical Restrictor (Used W/ #6-9 Mains)		102-5675		Cap, Blank, Effluent ●▲
13	102-5671	1	Intermediate Nozzle Assy., Brown W/ Stream Straightener (Used W/ #1 Main)		118-1521	1	Adapter, Main Nozzle ●▲
13	102-6884	1	Intermediate Nozzle, Yellow (Used W/ #2-4 Mains)		YARDMARKYEL	1	Yardage Marker, Yellow (10-Sheets Per Pack) ●▲
13	102-6885	1	Intermediate Nozzle, Green (Used W/ #5-9 Mains)		YARDMARKLAV	1	Yardage Marker, Lavender (For Non-Potable Water Applications) ●▲
14	102-5978	1	O-Ring, Nozzle Housing		995-99		Nut Driver, 5/8" (For Main Nozzle) ■▲
15	102-5597	1	Nozzle Housing Assy. (Includes Item 14)		995-105		Nut Driver, 5/16" (For Inner & Intermediate Nozzles And Plugs) ■▲
16	363-4978	1	O-Ring, Main Nozzle		995-83		Multi-Purpose Tool ■▲
17	102-6906	1	Nozzle, Main, #31, Yellow		995-85		Riser Removal Tool ■▲
17	102-0726	1	Nozzle, Main, #32, Blue		995-102	1	Riser Hold-Up Tool, Universal ■▲
17	102-6907	1	Nozzle, Main, #33, Brown		118-0954	1	Riser Hold-Up Tool, Red ●▲
17	102-0728	1	Nozzle, Main, #34, Orange				

● SERVICE ITEMS
▲ Not illustrated

■ SERVICE TOOLS

FLX34 Series Golf Sprinkler w/ Dual Trajectory



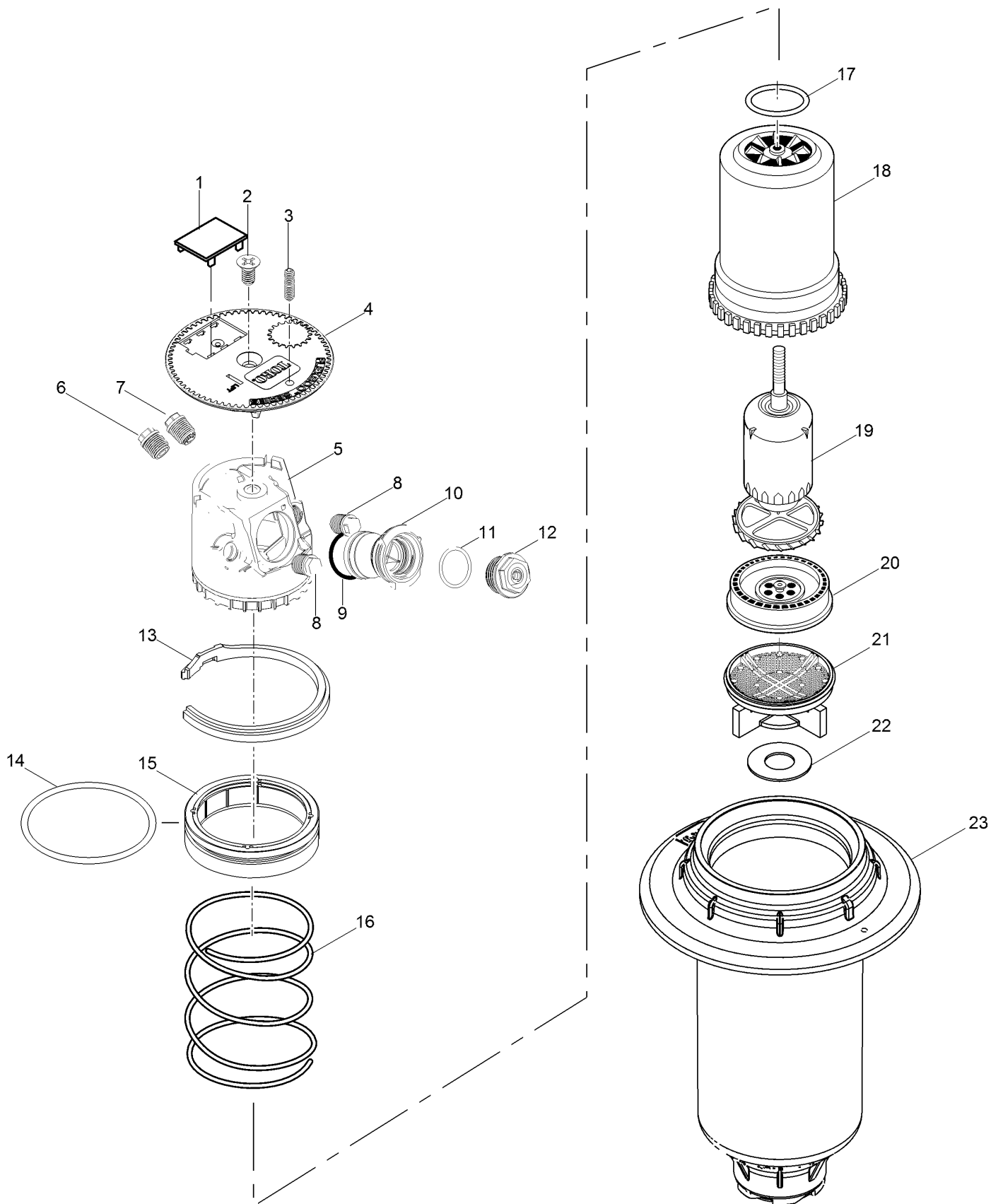
FLX34 Series Golf Sprinkler w/ Dual Trajectory (continued)

Ref.	Part Number	Qty.	Description	Ref.	Part Number	Qty.	Description
1	102-0362	1	Screw, Cap	11	118-1521	1	Adapter, Main Nozzle
2	363-4839	1	Radius Reduction Screw	12	89-1385	1	Snap Ring, Riser
3	118-6918	1	Cap, Flx Series	13	363-4102	1	O-Ring, Paraffin As-568 232
3	118-6919	1	Cap, Flx Series, Effluent	14	102-0134	1	Retainer, Seal
4	102-5837	1	Nozzle Base Assembly	15	102-0151	1	Spring, Return
5	102-2925	1	Intermediate Nozzle, Blue (Used With #31 Main Nozzle)	16	363-4167	1	O-Ring, Nozzle Base
5	102-2926	1	Intermediate Nozzle, Orange (Used With #32 Main Nozzle)	17	102-0202	1	Riser
5	102-2928	1	Intermediate Nozzle, Red (Used With #33 Main Nozzle)	18	102-4503	1	Drive Assembly, 12-Pack
5	102-2929	1	Intermediate Nozzle, Beige (Used With #34 And #35 Main Nozzles)	19	102-6929	1	Stator, Low Flow, High Velocity (Used With #31-34 Main Nozzles)
5	102-6944	1	Intermediate Nozzle Assy., Red W/ Stream Straightener (Used With #36 Main Nozzle)	19	102-1940	1	Stator Assembly, Medium Flow (Used With #35-37 Main Nozzles)
5	102-6945	1	Intermediate Nozzle Assy., Gray W/ Stream Straightener (Used With #37 Main Nozzle)	20	102-1715	1	Screen, Riser
5	102-6883	1	Intermediate Nozzle, Brown (Used W/ #7 Main Nozzle, Front Position On The Right Side Of Main.)	21		1	Body Assembly (See Golf Sprinkler Body Assembly Section) ▲
6	102-6937	1	Nozzle Assy. Inner, Yellow Nozzle W/ Yellow Helical Restrictor	22	89-1589	1	Plug, Cap (Black)
7	102-4335	2	Plug, Nozzle	22	118-1103	1	Plug, Cap (Lavender)
8	102-5978	1	O-Ring, Nozzle Housing		995-08	1	Valve Removal Tool ■●
9	102-5597	1	Nozzle Housing Assy.		995-76	1	Valve Insertion Tool ■●
10	363-4978	1	O-Ring, Main Nozzle		995-15	1	Selector Tool (Flag Key) ■●
11	102-0725	1	Nozzle, Main, #31, Yellow		995-99	1	Nut Driver, 5/8" (For Main Nozzle) ■●
11	102-7001	1	Nozzle, Main, #32, Blue		995-105	1	Nut Driver, 5/16" (For Inner & Intermediate Nozzles And Plugs) ■●
11	102-0727	1	Nozzle, Main, #33, Brown		995-83	1	Multi-Purpose Tool ■●
11	102-7002	1	Nozzle, Main, #34, Orange		995-85	1	Riser Removal Tool ■●
11	102-6908	1	Nozzle, Main, #35, Green		995-100	1	Valve Snap Ring Pliers With Screen Remover ■●
11	102-0730	1	Nozzle, Main, #36, Gray		995-102	1	Riser Hold-Up Tool, Universal ■●
11	102-4261	1	Nozzle, Main, #37, Black		118-0954	1	Riser Hold-Up Tool, Red ■●
11	102-2208	1	Nozzle, Main, #30 (Plug)		995-82	1	Arc Adjustment Tool, 3/32 ■ ●
					102-5672	1	Cap, Blank ■●
					102-5673	1	Cap, Blank, Effluent ■●
					YARDMARKYEL	1	Yardage Marker, Yellow (10-Sheets Per Pack) ■●
					YARDMARKLAV	1	Yardage Marker, Lavender (For Non-Potable Water Applications) ■●

● SERVICE ITEMS
▲ Not serviced separately

■ Not illustrated

FLX34B Series Sprinkler w/ Dual Trajectory



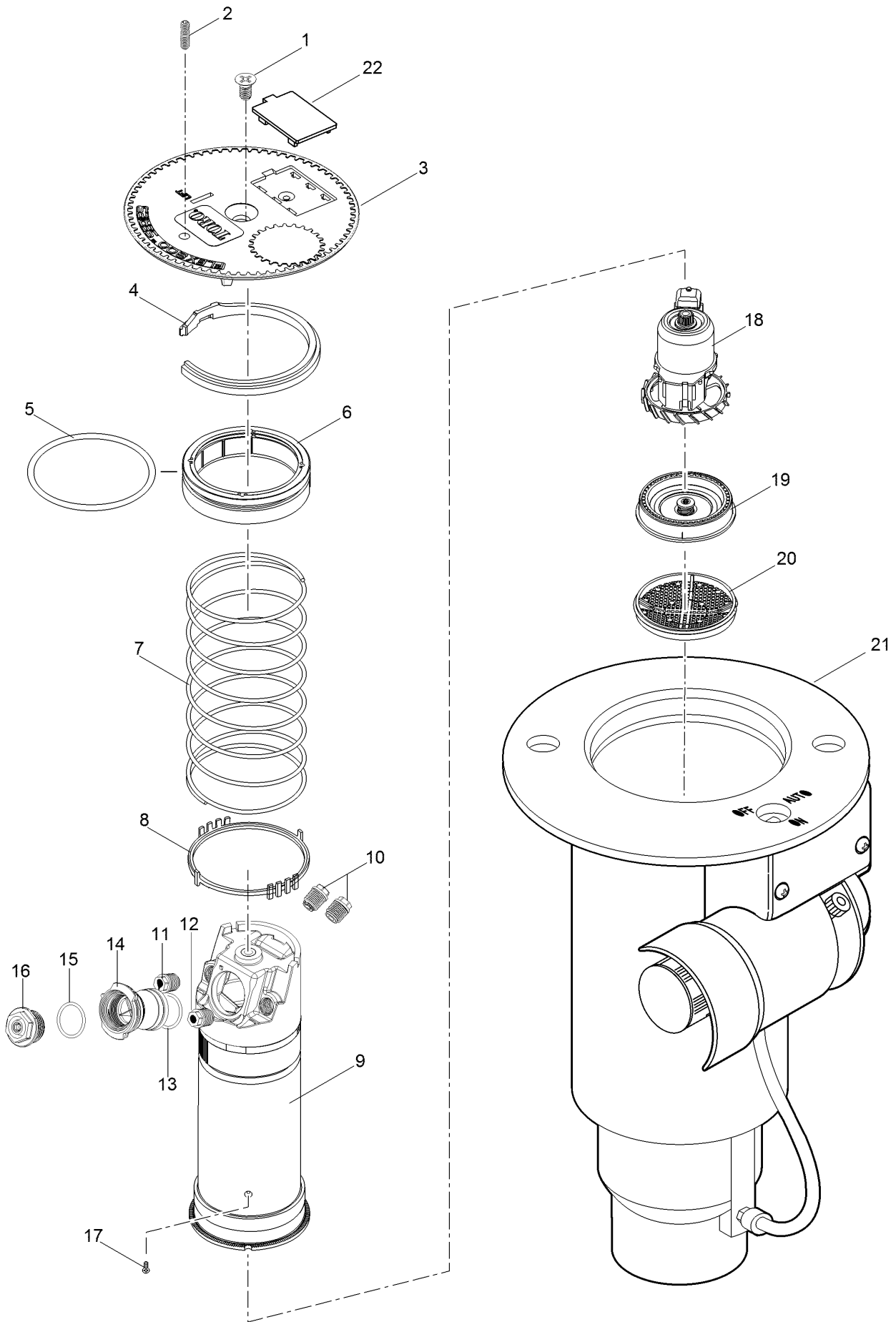
FLX34B Series Sprinkler w/ Dual Trajectory (continued)

<i>Ref.</i>	<i>Part Number</i>	<i>Qty.</i>	<i>Description</i>	<i>Ref.</i>	<i>Part Number</i>	<i>Qty.</i>	<i>Description</i>
1	89-1589	1	Plug, Cap (Black)	12	102-4260	1	Nozzle, Main, #38, Red
1	118-1103	1	Plug, Cap (Lavender)	12	102-2208	1	Nozzle, Main, #30 (Plug)
2	102-0362	1	Screw, Cap	12	118-1521	1	Adapter, Main Nozzle
3	363-4839	1	Radius Reduction Screw	13	89-1385	1	Snap Ring, Riser
4	118-6918	1	Cap, Flx34B (Black)	14	363-4102	1	O-Ring, Paraffin As-568 232
4	118-6919	1	Cap, Flx34B, Effluent (Lavender)	15	102-0134	1	Retainer, Seal
5	102-5837	1	Nozzle Base Assembly	16	102-0151	1	Spring, Return
6	102-2925	1	Intermediate Nozzle, Blue (Used W/ #1 Main)	17	363-4167	1	O-Ring, Nozzle Base
6	102-2926	1	Intermediate Nozzle, Orange (Used W/ #2 Main)	18	102-0202	1	Riser
6	102-2928	1	Intermediate Nozzle, Red (Used W/ #3 Main)	19	102-4503	1	Drive Assembly, 12-Pack
6	102-2929	1	Intermediate Nozzle, Beige (Used W/ #4 & 5 Mains)	20	102-6929	1	Stator, Low Flow, High Velocity (Used W/ #1-4 Main Nozzles)
6	102-6944	1	Intermediate Nozzle Assy., Red W/ Stream Straightener (Used W/ #6 Main)	20	102-1940	1	Stator Assembly, Medium Flow (Used W/ #5-8 Main Nozzles)
6	102-6945	1	Intermediate Nozzle Assy., Gray W/ Stream Straightener (Used With #7 & 8 Mains)	21	102-5152	1	Screen, Riser, W/ Check Seal Holder
6	102-6883	1	Intermediate Nozzle, Brown (Used W/ #7 & 8 Main, Front Position On The Right Of Main)	22	102-7437	1	Seal, Check
7	102-6937	1	Nozzle Assy. Inner, Yellow Nozzle W/ Yellow Helical Restrictor	23	102-7419	1	Body, Npt
8	102-4335	2	Plug, Nozzle	23	102-7421	1	Body, Acme
9	102-5978	1	O-Ring, Nozzle Housing		102-2208		Nozzle, Main, #30 (Plug) ●▲
10	102-5597	1	Nozzle Housing Assy. (Includes Item 9)		118-1521	1	Adapter, Main Nozzle ●▲
11	363-4978	1	O-Ring, Main Nozzle		102-5672		Cap, Blank ●▲
12	102-0725	1	Nozzle, Main, #31, Yellow		102-5673		Cap, Blank, Effluent ●▲
12	102-7001	1	Nozzle, Main, #32, Blue	YARDMARKYEL	1	Yardage Marker, Yellow (10-Sheets Per Pack) ●▲	
12	102-0727	1	Nozzle, Main, #33, Brown	YARDMARKLAV	1	Yardage Marker, Lavender (For Non-Potable Water Applications) ●▲	
12	102-7002	1	Nozzle, Main, #34, Orange		995-99		Nut Driver, 5/8" (For Main Nozzle) ■▲
12	102-6908	1	Nozzle, Main, #35, Green		995-105		Nut Driver, 5/16" (For Inner & Intermediate Nozzles And Plugs) ■▲
12	102-0730	1	Nozzle, Main, #36, Gray		995-83		Multi-Purpose Tool ■▲
12	102-4261	1	Nozzle, Main, #37, Black		995-85		Riser Removal Tool ■▲
					995-102	1	Riser Hold-Up Tool, Universal ■▲
					118-0954	1	Riser Hold-Up Tool, Red ●▲
					995-82	1	Arc Adjustment Tool, 3/32 ●▲

● SERVICE ITEMS
▲ Not illustrated

■ SERVICE TOOLS

FLX35 Series Golf Sprinkler w/ Dual Trajectory



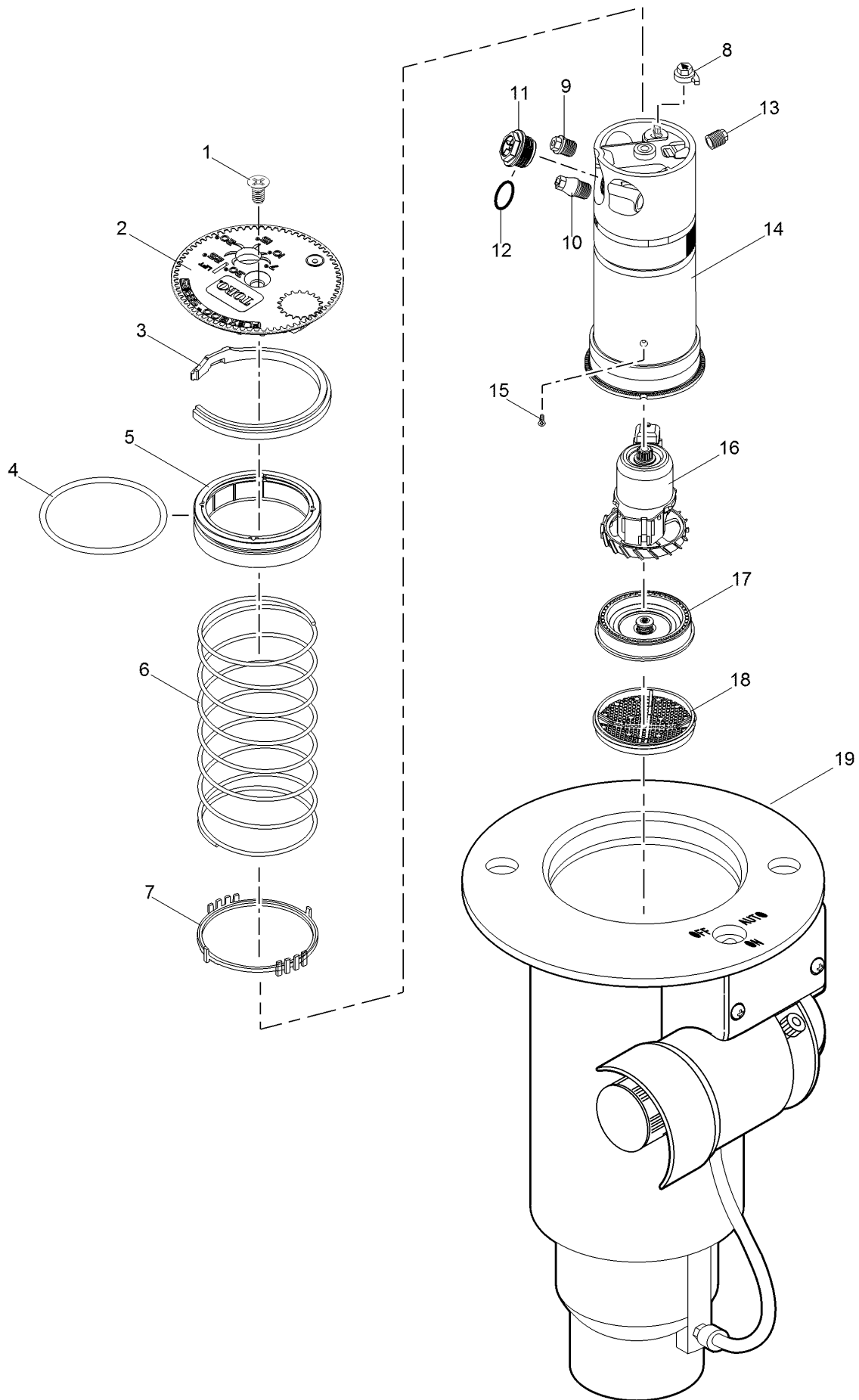
FLX35 Series Golf Sprinkler w/ Dual Trajectory (continued)

Ref.	Part Number	Qty.	Description	Ref.	Part Number	Qty.	Description
1	102-6138	1	Screw, Cap, Black	16	102-0728	1	Nozzle, Main, #34, Orange
2	363-4839	1	Radius Reduction Screw	16	102-6955	1	Nozzle, Main, #35, Green
3	118-6918	1	Cap, Flx Series	16	102-6935	1	Nozzle, Main, #36, Gray
3	118-6919	1	Cap, Flx Series, Effluent	16	102-6936	1	Nozzle, Main, #37, Black
4	89-1385	1	Snap Ring, Riser	16	118-1521	1	Adapter, Main Nozzle
5	363-4102	1	O-Ring, Paraffin As-568 232	17	363-4236	1	Screw, Drive
6	102-0134	1	Retainer, Seal	18	102-4504	1	Drive Assy., 12-Pack
7	102-0151	1	Spring, Return	19	102-6929	1	Stator, Low Flow, High Velocity (Used With #30 Main Nozzle)
8	102-2619	1	Ratchet Ring, 1"	19	102-1939	1	Stator Assembly, Low Flow (Used W/ #31-34 Mains)
9	118-1079	1	Riser Assembly	19	118-7282	1	Stator Assembly, Medium Flow (Used W/ #35-37 Mains)
10	102-4335	2	Plug, Nozzle	20	102-1715	1	Screen, Riser
11	102-5670	1	Nozzle Assy. Inner, Yellow W/ White Helical Restrictor (Used With #30-35 Main Nozzles)	21		1	Body Assembly (See Golf Body Assembly Section.) ▲
11	102-6531	1	Nozzle Assy., Inner, Green W/ White Helical Restrictor (Used With #36-37 Main Nozzles)	22	89-1589	1	Plug, Cap (Black)
12	102-6942	1	Intermediate Nozzle Assy., Beige W/ Stream Straightener (Used With #30 Main Nozzle)	22	118-1103	1	Plug, Cap (Lavender)
12	102-5671	1	Intermediate Nozzle Assy., Brown W/ Stream Straightener (Used With #31 Main Nozzle)	995-08		1	Valve Removal Tool ■●
12	102-6884	1	Intermediate Nozzle, Yellow (Used With #32-34 Main Nozzles)	995-76		1	Valve Insertion Tool ■●
12	102-6885	1	Intermediate Nozzle, Green (Used With #35-37 Main Nozzles)	995-15		1	Selector Tool (Flag Key) ■●
13	102-5978	1	O-Ring, Nozzle Housing	995-99		1	Nut Driver, 5/8" (For Main Nozzle) ■●
14	102-5597	1	Nozzle Housing Assy.	995-105		1	Nut Driver, 5/16" (For Inner & Intermediate Nozzles And Plugs) ■●
15	363-4978	1	O-Ring, Main Nozzle	995-83		1	Multi-Purpose Tool ■●
16	102-2208	1	Nozzle, Main, #30 (Plug)	995-85		1	Riser Removal Tool ■●
16	102-6906	1	Nozzle, Main, #31, Yellow	995-100		1	Valve Snap Ring Pliers With Screen Remover ■●
16	102-0726	1	Nozzle, Main, #32, Blue	995-102		1	Riser Hold-Up Tool, Universal ■●
16	102-6907	1	Nozzle, Main, #33, Brown	118-0954		1	Riser Hold-Up Tool, Red ■●
				102-5672		1	Cap, Blank ■●
				102-5673		1	Cap, Blank, Effluent ■●
				995-82		1	Arc Adjustment Tool, 3/32 ■●

● SERVICE ITEMS
▲ Not serviced separately

■ Not illustrated

FLX35-6 Series Golf Sprinkler w/ 24-Pos TruJectory



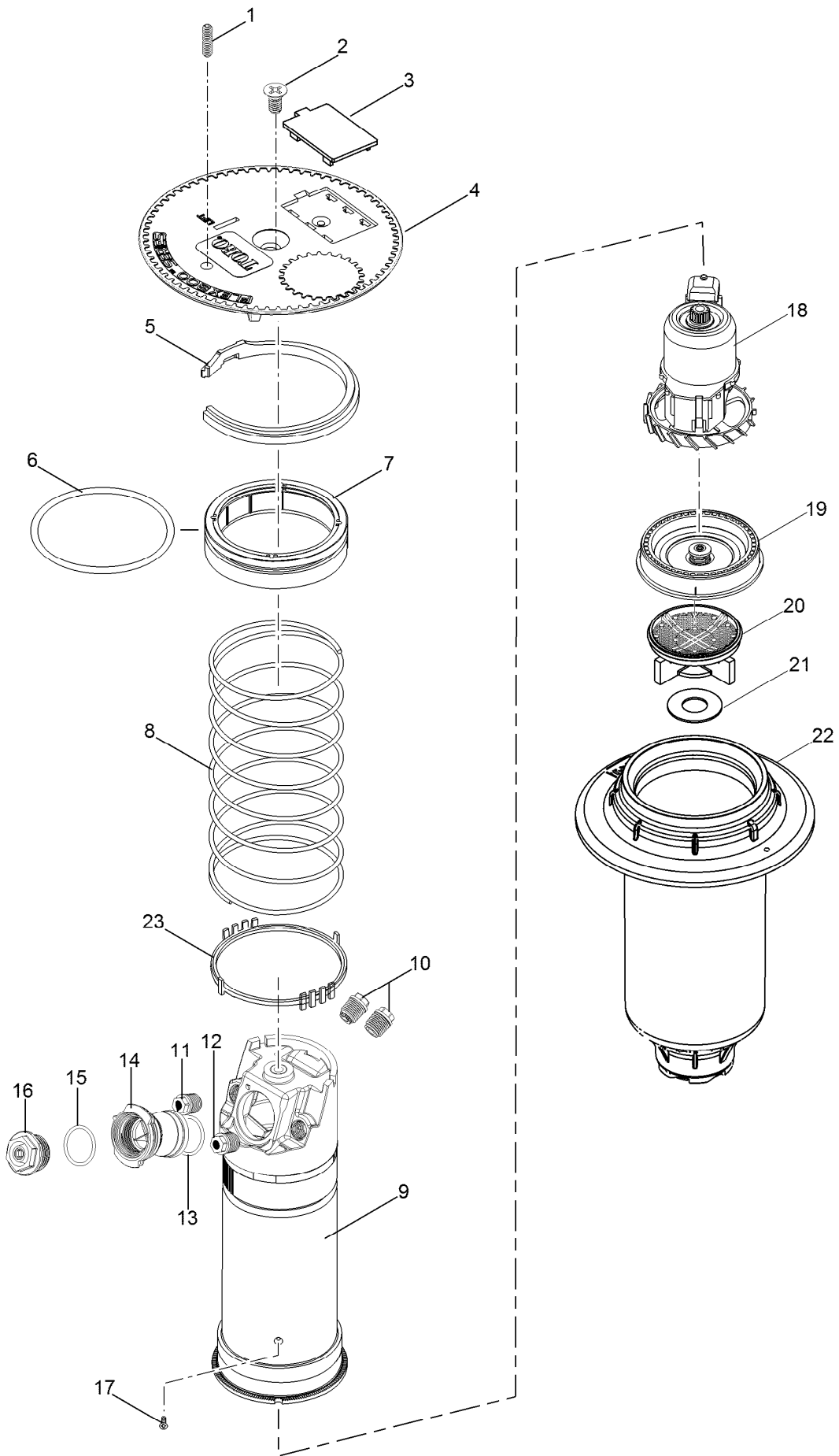
FLX35-6 Series Golf Sprinkler w/ 24-Pos TruJectory (continued)

<i>Ref.</i>	<i>Part Number</i>	<i>Qty.</i>	<i>Description</i>	<i>Ref.</i>	<i>Part Number</i>	<i>Qty.</i>	<i>Description</i>
1	102-6138	1	Screw, Cap, Black	15	363-4236	1	Screw, Drive
2	118-6920	1	Cap, Black	16	102-4504	1	Drive Assy., 12-Pack
2	118-6921	1	Cap, Effluent	17	102-6929	1	Stator, Low Flow, High Velocity (Used With #30 Main Nozzle And Nozzle Adapter)
3	89-1385	1	Snap Ring, Riser				
4	363-4102	1	O-Ring, Paraffin As-568 232	17	102-1939	1	Stator Assembly, Low Flow (Used W/ #31-34 Main Nozzles)
5	102-0134	1	Retainer, Seal				
6	102-0151	1	Spring, Return	17	118-7282	1	Stator Assembly, Medium Flow (Used W/ #35-37 Main Nozzles)
7	102-2619	1	Ratchet Ring, 1"				
8	102-5971	1	Trajectory Adjuster	18	102-1715	1	Screen, Riser
9	102-2925	1	Intermediate Nozzle, Blue (Used With #30, #31, #35 And #36 Main Nozzles)	19		1	Body Assembly (See Golf Body Assembly Section.) ▲
9	102-2926	1	Intermediate Nozzle, Orange (Used With #33, #34 And #37 Main Nozzles)		995-08	1	Valve Removal Tool ■●
9	102-2928	1	Intermediate Nozzle, Red (Used With #32 Main Nozzle)		995-76	1	Valve Insertion Tool ■●
10	102-2910	1	Nozzle Assembly, Inner		995-15	1	Selector Tool (Flag Key) ■●
11	102-2208	1	Nozzle, Main, #30 (Plug)		995-99	1	Nut Driver, 5/8" (For Main Nozzle) ■●
11	102-4587	1	Nozzle, Main, #31, Yellow		995-105	1	Nut Driver, 5/16" (For Inner & Intermediate Nozzles And Plugs) ■●
11	102-4588	1	Nozzle, Main, #32, Blue				
11	102-4589	1	Nozzle, Main, #33, Brown		995-83	1	Multi-Purpose Tool ■●
11	102-0728	1	Nozzle, Main, #34, Orange		995-85	1	Riser Removal Tool ■●
11	102-0729	1	Nozzle, Main, #35, Green		995-100	1	Valve Snap Ring Pliers With Screen Remover ■●
11	102-0730	1	Nozzle, Main, #36, Gray				
11	102-4261	1	Nozzle, Main, #37, Black		995-102	1	Riser Hold-Up Tool, Universal ■●
11	118-1521	1	Adapter, Main Nozzle				
12	363-4978	1	O-Ring, Main Nozzle		118-0954	1	Riser Hold-Up Tool, Red ■●
13	102-4335	1	Plug, Nozzle		102-2494	1	Cap, Blank ■●
14	102-2892	1	Riser Assembly				

● SERVICE ITEMS
▲ Not serviced separately

■ Not illustrated

FLX35B Series Sprinkler w/ Dual Trajectory



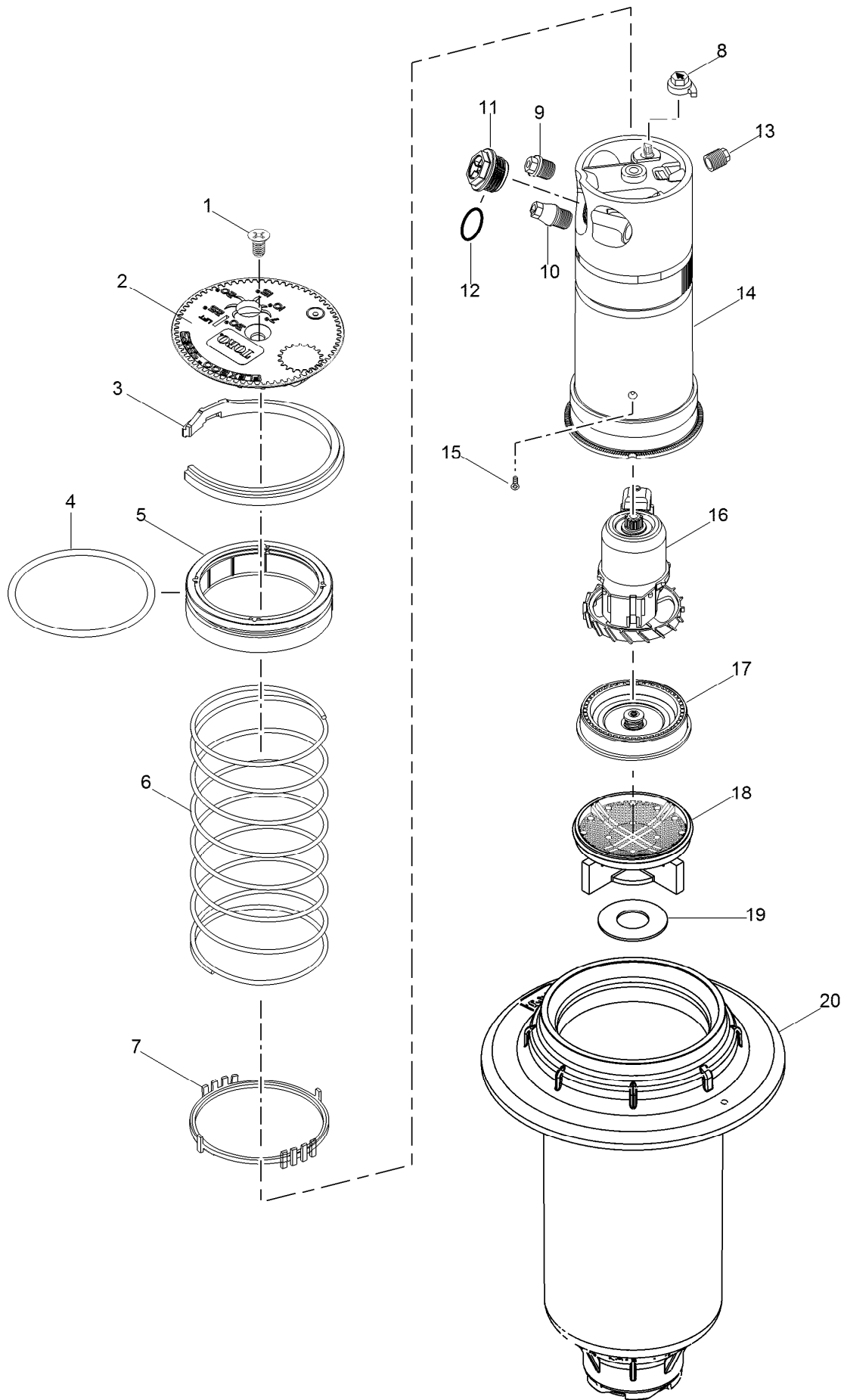
FLX35B Series Sprinkler w/ Dual Trajectory (continued)

Ref.	Part Number	Qty.	Description	Ref.	Part Number	Qty.	Description
1	363-4839	1	Radius Reduction Screw	16	102-6935	1	Nozzle, Main, #36, Gray
2	102-6138	1	Screw, Cap, Black	16	102-6936	1	Nozzle, Main, #37, Black
3	89-1589	1	Plug, Cap (Black)	16	102-4260	1	Nozzle, Main, #38, Red
3	118-1103	1	Plug, Cap (Lavender)	16	118-1521	1	Adapter, Main Nozzle
4	118-6918	1	Cap, Flx35B	17	363-4236	1	Screw, Drive
4	118-6919	1	Cap, Flx35B, Effluent	18	102-4504	1	Drive Assy., 12-Pack
5	89-1385	1	Snap Ring, Riser	19	102-6929	1	Stator, Low Flow, High Velocity (Used W/ #0 Main Nozzle)
6	363-4102	1	O-Ring, Paraffin As-568 232	19	102-1939	1	Stator Assembly, Low Flow (Used With #1-4 Main Nozzles)
7	102-0134	1	Retainer, Seal	19	118-7282	1	Stator Assembly, Medium Flow (Used W/ #5-8 Main Nozzles)
8	102-0151	1	Spring, Return	20	102-5152	1	Screen, Riser, W/ Check Seal Holder
9	118-1709	1	Riser Assembly	21	102-7437	1	Seal, Check
10	102-4335	2	Plug, Nozzle	22	102-7419	1	Body, Npt
11	102-5670	1	Nozzle Assy. Inner, Yellow W/ White Helical Restrictor (Used W/ #0-5 Mains)	22	102-7421	1	Body, Acme
11	102-6531	1	Nozzle Assy., Inner, Green W/ White Helical Restrictor (Used W/ #6-8 Mains)	23	102-2619	1	Ratchet Ring, 1
12	102-6942	1	Intermediate Nozzle Assy., Beige W/ Stream Straightener (Used W/ #0 Main)		102-5672		Cap, Blank ■◆
12	102-5671	1	Intermediate Nozzle Assy., Brown W/ Stream Straightener (Used W/ #1 Main)		102-5673		Cap, Blank, Effluent ■◆
12	102-6884	1	Intermediate Nozzle, Yellow (Used W/ #2-4 Mains)		YARDMARKYEL 1		Yardage Marker, Yellow (10-Sheets Per Pack) ■◆
12	102-6885	1	Intermediate Nozzle, Green (Used W/ #5-8 Mains)		YARDMARKLAV 1		Yardage Marker, Lavender (For Non-Potable Water Applications) ■◆
13	102-5978	1	O-Ring, Nozzle Housing	995-99			Nut Driver, 5/8" (For Main Nozzle) ▲◆
14	102-5597	1	Nozzle Housing Assy. (Includes Item 3)	995-105			Nut Driver, 5/16" (For Inner & Intermediate Nozzles And Plugs) ▲◆
15	363-4978	1	O-Ring, Main Nozzle	995-83			Multi-Purpose Tool ●◆
16	102-2208	1	Nozzle, Main, #30 (Plug)	995-85			Riser Removal Tool ▲◆
16	102-6906	1	Nozzle, Main, #31, Yellow	995-102	1		Riser Hold-Up Tool, Universal ▲◆
16	102-0726	1	Nozzle, Main, #32, Blue	118-0954	1		Riser Hold-Up Tool, Red ■◆
16	102-6907	1	Nozzle, Main, #33, Brown	995-82	1		Arc Adjustment Tool, 3/32 ■◆
16	102-0728	1	Nozzle, Main, #34, Orange				◆
16	102-6955	1	Nozzle, Main, #35, Green				

● Service Tool
▲ SERVICE TOOLS

■ SERVICE ITEMS
◆ Not illustrated

FLX35-6B Series Sprinkler w/ 24-Pos TruJectory



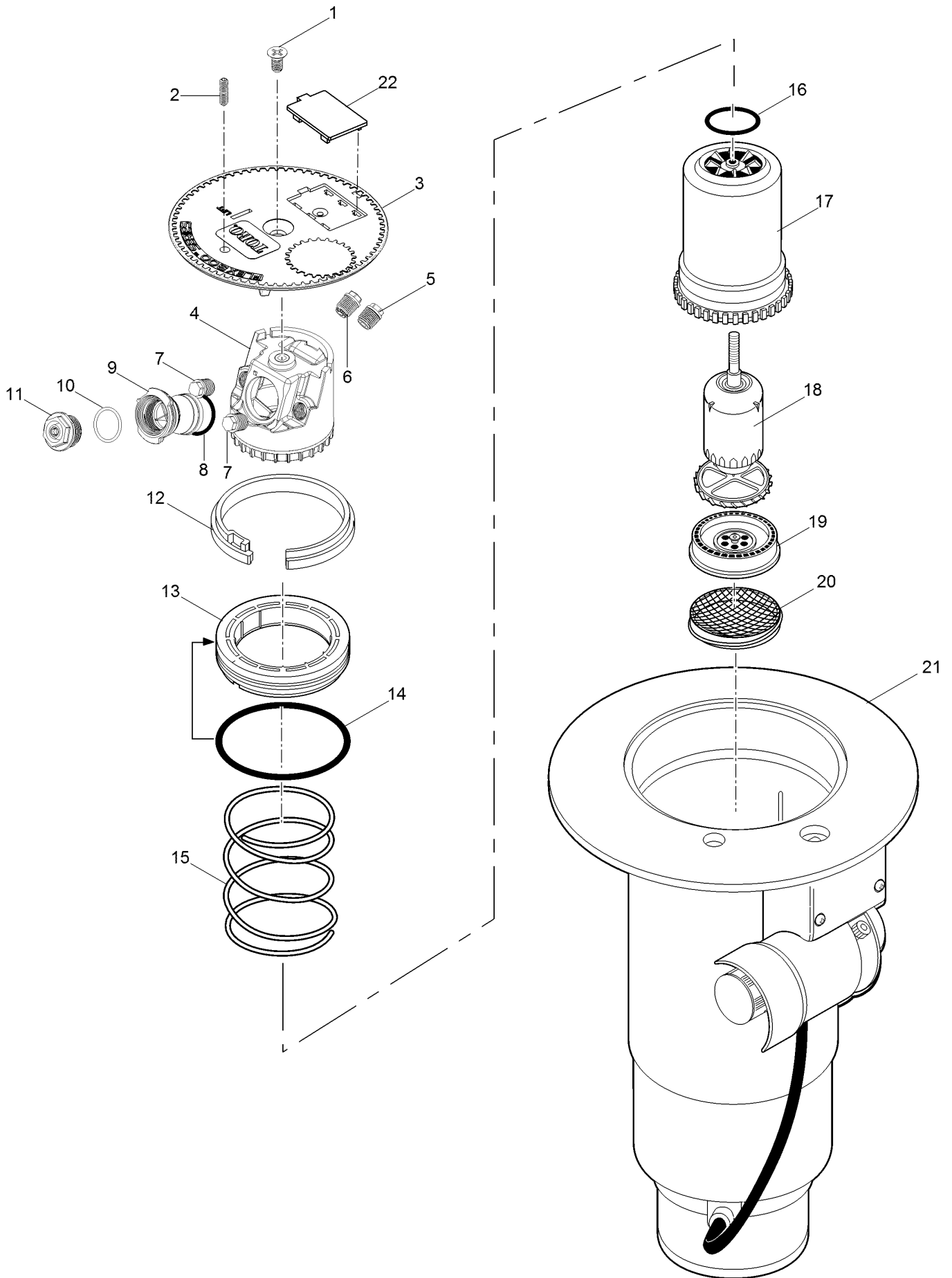
FLX35-6B Series Sprinkler w/ 24-Pos TruJectory (continued)

<i>Ref.</i>	<i>Part Number</i>	<i>Qty.</i>	<i>Description</i>	<i>Ref.</i>	<i>Part Number</i>	<i>Qty.</i>	<i>Description</i>
1	102-6138	1	Screw, Cap, Black	16	102-4504	1	Drive Assy., 12-Pack
2	118-6920	1	Cap, Black	17	102-6929	1	Stator, Low Flow, High Velocity (Use W/ #0 Main Nozzle)
2	118-6921	1	Cap, Effluent				
3	89-1385	1	Snap Ring, Riser				
4	363-4102	1	O-Ring, Paraffin As-568 232	17	102-1939	1	Stator Assembly, Low Flow (Used W/ #31-34 Main Nozzles)
5	102-0134	1	Retainer, Seal				
6	102-0151	1	Spring, Return				
7	102-2619	1	Ratchet Ring, 1"	17	118-7282	1	Stator Assembly, Medium Flow (Used W/ #35-38 Main Nozzles)
8	102-5971	1	Trajectory Adjuster				
9	102-2925	1	Intermediate Nozzle, Blue (Use W/ #1, #5, #6 & #8 Mains)	18	102-5152	1	Screen, Riser, W/ Check Seal Holder
9	102-2926	1	Intermediate Nozzle, Orange (Use W/ #3, #4 & #7 Mains)	19	102-7437	1	Seal, Check
9	102-2928	1	Intermediate Nozzle, Red (Use W/ #2 Main)	20	102-7419	1	Body, Npt
10	102-2910	1	Nozzle Assembly, Inner	20	102-7421	1	Body, Acme
11	102-2208	1	Nozzle, Main, #30 (Plug)		102-2041		Restrictor, Yellow, Inner Nozzle ●▲
11	102-4587	1	Nozzle, Main, #31, Yellow		102-4337	1	Stream Straightener, Intermediate Nozzle ●▲
11	102-4588	1	Nozzle, Main, #32, Blue				
11	102-4589	1	Nozzle, Main, #33, Brown		102-2494		Cap, Blank ●▲
11	102-0728	1	Nozzle, Main, #34, Orange		995-83		Multi-Purpose Tool ■▲
11	102-0729	1	Nozzle, Main, #35, Green		995-85		Riser Removal Tool ■▲
11	102-0730	1	Nozzle, Main, #36, Gray		995-99		Nut Driver, 5/8" (For Main Nozzle) ■▲
11	102-4261	1	Nozzle, Main, #37, Black		995-105		Nut Driver, 5/16" (For Inner & Intermediate Nozzles And Plugs) ■▲
11	102-4260	1	Nozzle, Main, #38, Red				
11	118-1521	1	Adapter, Main Nozzle		995-102		Riser Hold-Up Tool, Universal ■▲
12	363-4978	1	O-Ring, Main Nozzle				
13	102-4335	1	Plug, Nozzle		118-0954	1	Riser Hold-Up Tool, Red ■▲
14	102-2892	1	Riser Assembly				
15	363-4236	1	Screw, Drive				

● SERVICE ITEMS
▲ Not illustrated

■ SERVICE TOOLS

FLX54 Series Golf Sprinkler w/ Dual Trajectory



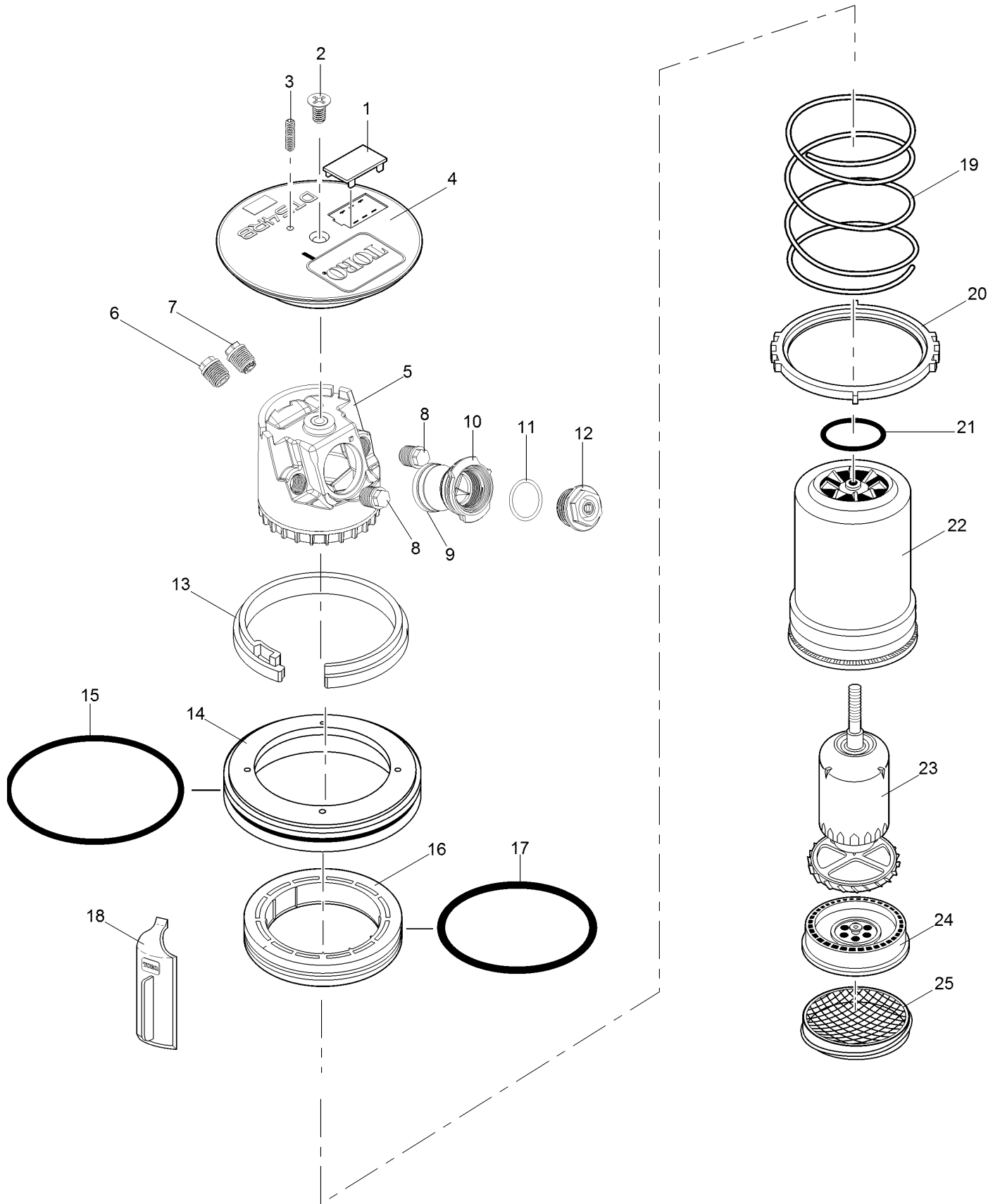
FLX54 Series Golf Sprinkler w/ Dual Trajectory (continued)

Ref.	Part Number	Qty.	Description	Ref.	Part Number	Qty.	Description
1	102-0362	1	Screw, Cap	13	102-0136	1	Retainer, Seal, 1.5"
2	363-4839	1	Radius Reduction Screw	14	363-4103	1	O-Ring, Body
3	118-6922	1	Cap, Flx 54/55	15	102-0151	1	Spring, Return
3	118-6923	1	Cap, Effluent	16	363-4167	1	O-Ring, Nozzle Base
4	102-5837	1	Nozzle Base Assembly	17	102-0203	1	Riser Assembly
5	102-2925	1	Intermediate Nozzle, Blue (Used With #51 Main Nozzle)	18	102-4503	1	Drive Assembly, 12-Pack
5	102-2926	1	Intermediate Nozzle, Orange (Used With #52 Main Nozzle)	19	102-6929	1	Stator, Low Flow, High Velocity (Used With #51-54 Main Nozzles)
5	102-2928	1	Intermediate Nozzle, Red (Used With #53 Main Nozzle)	19	102-1940	1	Stator Assembly, Medium Flow (Used W/ #55-58 Main Nozzles)
5	102-2929	1	Intermediate Nozzle, Beige (Used With #54 And #55 Main Nozzles)	19	118-7282	1	Stator Assembly, High Flow (Used W/ #59 Main Nozzle)
5	102-6944	1	Intermediate Nozzle Assy., Red W/ Stream Straightener (Used With #56 Main Nozzles)	20	102-1715	1	Screen, Riser
5	102-6945	1	Intermediate Nozzle Assy., Gray W/ Stream Straightener (Used With #57-59 Main Nozzles)	21		1	Body Assembly (See Golf Sprinkler Body Assembly Section) ▲
5	102-6883	1	Intermediate Nozzle, Brown (Used With #57 And #58 Main Nozzles, Front)	22	89-1589	1	Plug, Cap (Black)
6	102-6937	1	Nozzle Assy. Inner, Yellow Nozzle W/ Yellow Helical Restrictor	22	118-1103	1	Plug, Cap (Lavender)
7	102-4335	2	Plug, Nozzle		118-1521	1	Adapter, Main Nozzle ■●
8	102-5978	1	O-Ring, Nozzle Housing		995-09	1	Valve Removal Tool ■●
9	102-5597	1	Nozzle Housing Assy.		995-101	1	Valve Insertion Tool ■●
10	363-4978	1	O-Ring, Main Nozzle		995-15	1	Selector Tool (Flag Key) ■●
11	102-0725	1	Nozzle, Main, #51, Yellow		995-99	1	Nut Driver, 5/8" (For Main Nozzle) ■●
11	102-7001	1	Nozzle, Main, #52, Blue		995-105	1	Nut Driver, 5/16" (For Inner & Intermediate Nozzles And Plugs) ■●
11	102-0727	1	Nozzle, Main, #53, Brown		995-83	1	Multi-Purpose Tool ■●
11	102-7002	1	Nozzle, Main, #54, Orange		995-85	1	Riser Removal Tool ■●
11	102-6908	1	Nozzle, Main, #55, Green		995-100	1	Valve Snap Ring Pliers With Screen Remover ■●
11	102-0730	1	Nozzle, Main, #56, Gray		995-102	1	Riser Hold-Up Tool, Universal ■●
11	102-4261	1	Nozzle, Main, #57, Black		118-0954	1	Riser Hold-Up Tool, Red ■●
11	102-4260	1	Nozzle, Main, #58, Red		102-5675	1	Cap, Blank, Effluent ■●
11	102-4259	1	Nozzle, Main, #59, Beige		995-82	1	Arc Adjustment Tool, 3/32 ■ ●
12	35-6119	1	Snap Ring, Riser		YARDMARKYEL	1	Yardage Marker, Yellow (10-Sheets Per Pack) ■●
					YARDMARKLAV	1	Yardage Marker, Lavender (For Non-Potable Water Applications) ■●

● SERVICE ITEMS
▲ Not serviced separately

■ Not illustrated

FLX54RB R Series Conversion w/ Dual Trajectory



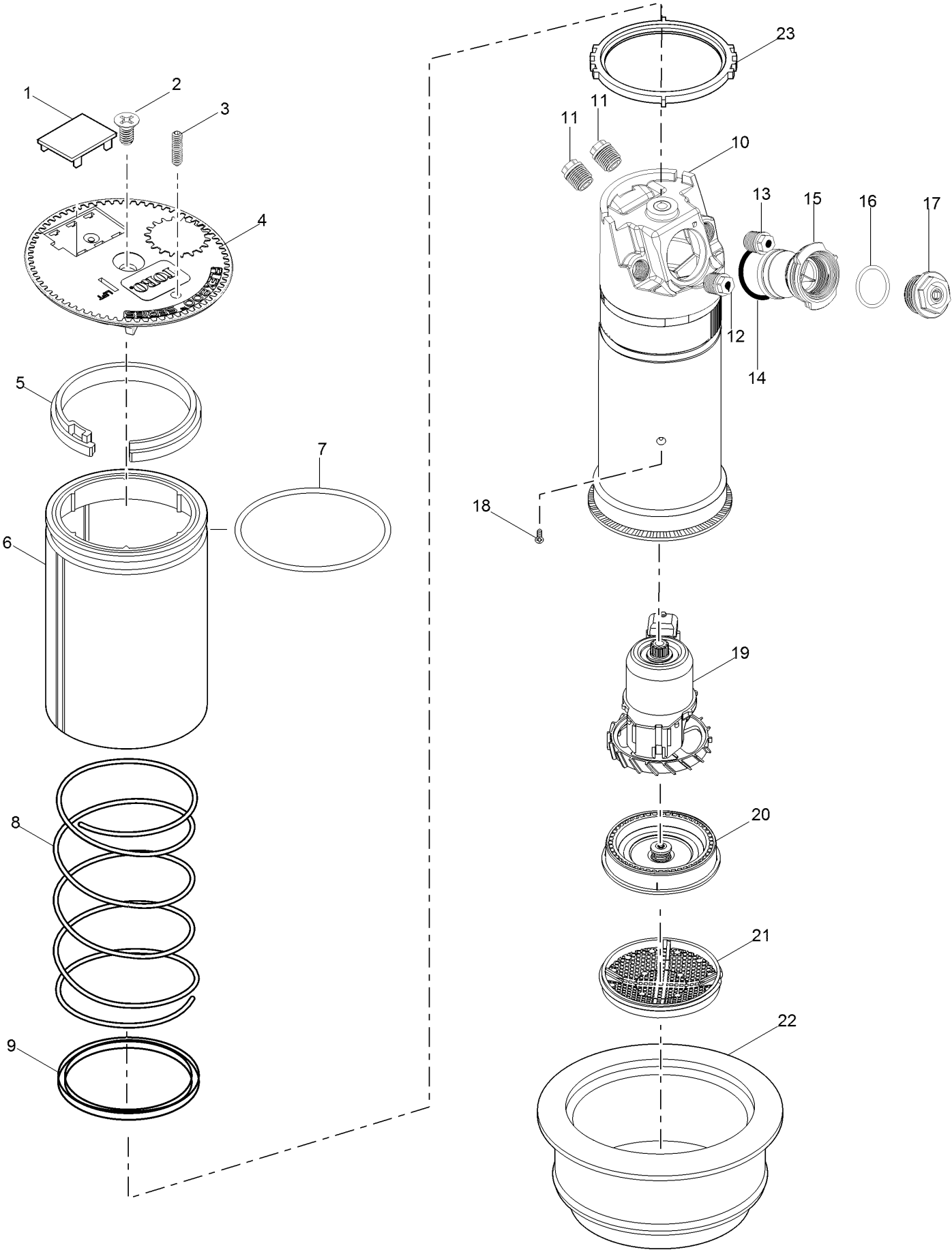
FLX54RB R Series Conversion w/ Dual Trajectory (continued)

Ref.	Part Number	Qty.	Description	Ref.	Part Number	Qty.	Description
1	89-1589	1	Plug, Cap (Black)	16	102-0134	1	Retainer, Seal
1	118-1103	1	Plug, Cap (Lavender)	17	363-4102	1	O-Ring, Paraffin As-568 232
2	102-0362	1	Screw, Cap	18	118-0954	1	Riser Hold-Up Tool, Red
3	363-4839	1	Radius Reduction Screw	19	102-0151	1	Spring, Return
4	118-0959	1	Cap, Dt54Rb	20	118-0776	1	Ratchet Ring, Rb900
5	102-5837	1	Nozzle Base Assembly	21	363-4167	1	O-Ring, Nozzle Base
6	102-2925	1	Intermediate Nozzle, Blue (Use With #51 Main Nozzle)	22	118-1082	1	Riser Assy., Dt54Rb
6	102-2926	1	Intermediate Nozzle, Orange	23	102-4503	1	Drive Assembly, 12-Pack
6	102-2928	1	Intermediate Nozzle, Red	24	102-6929	1	Stator, Low Flow, High Velocity (Use W/ #51-54 Nozzles)
6	102-2929	1	Intermediate Nozzle, Beige	24	102-1940	1	Stator Assembly, Medium Flow (Use W/ #55-58 Nozzles)
6	102-6944	1	Intermediate Nozzle Assy., Red W/ Stream Straightener	24	118-7282	1	Stator Assembly, High Flow (Used W/ #59 Main Nozzle)
6	102-6945	1	Intermediate Nozzle Assy., Gray W/ Stream Straightener	25	102-1715	1	Screen, Riser
6	102-6883	1	Intermediate Nozzle, Brown	YARDMARKYEL	1	Yardage Marker, Yellow (10-Sheets Per Pack) ●■	
7	102-6937	1	Nozzle Assy. Inner, Yellow Nozzle W/ Yellow Helical Restrictor	YARDMARKLAV	1	Yardage Marker, Lavender (For Non-Potable Water Applications) ●■	
8	102-4335	1	Plug, Nozzle	118-1521	1	Adapter, Main Nozzle ●■	
9	102-5978	1	O-Ring, Nozzle Housing	118-0976	1	Cap, Blank ●■	
10	102-5597	1	Nozzle Housing Assy.	118-0977	1	Cap, Blank, Effluent ●■	
11	363-4104	1	O-Ring, Main Nozzle	995-99	1	Nut Driver, 5/8" (For Main Nozzle) ●■	
12	102-0725	1	Nozzle, Main, #51, Yellow	995-105	1	Nut Driver, 5/16" (For Inner & Intermediate Nozzles And Plugs) ●■	
12	102-7001	1	Nozzle, Main, #52, Blue	995-83	1	Multi-Purpose Tool ●■	
12	102-0727	1	Nozzle, Main, #53, Brown	995-82	1	Adjustment Tool, 3/32" (T-Handle Hex Wrench) ●■	
12	102-7002	1	Nozzle, Main, #54, Orange	118-0954	1	Riser Hold-Up Tool, Red ●■	
12	102-6908	1	Nozzle, Main, #55, Green	995-102	1	Riser Hold-Up Tool, Universal ●■	
12	102-6935	1	Nozzle, Main, #56, Gray	995-85	1	Riser Removal Tool ●■	
12	102-6936	1	Nozzle, Main, #57, Black				
12	102-6909	1	Nozzle, Main, #58, Red				
12	102-4259	1	Nozzle, Main, #59, Beige				
13	118-0780	1	Snap Ring, Riser				
14	118-0774	1	Retainer, Rb900				
15	364-0576	1	O-Ring, Rb900				

● SERVICE ITEMS

■ Not illustrated

FLX55 Ribless Body Conversion w/ Dual Trajectory



FLX55 Ribless Body Conversion w/ Dual Trajectory (continued)

Ref.	Part Number	Qty.	Description	Ref.	Part Number	Qty.	Description
1	89-1589	1	Plug, Cap (Black)	20	102-1941	1	Stator Assembly, High-Flow (Used W/ #59 Nozzle)
1	118-1103	1	Plug, Cap (Lavender)	21	102-1715	1	Screen, Riser
2	102-6138	1	Screw, Cap, Black	22	102-0950	1	Adapter, Conversion
3	363-4839	1	Radius Reduction Screw	23	102-2619	1	Ratchet Ring
4	118-6922	1	Cap, Flx 54/55		102-5675		Cap, Blank, Effluent ●▲
4	118-6923	1	Cap, Effluent		118-1521	1	Adapter, Main Nozzle ●▲
5	35-6119	1	Snap Ring, Riser		YARDMARKYEL	1	Yardage Marker, Yellow (10-Sheets Per Pack) ●▲
6	89-7568	1	Sleeve, Retainer, O-Ring, Conversion		YARDMARKLAV	1	Yardage Marker, Lavender (For Non-Potable Water Applications) ●▲
7	363-4103	1	O-Ring, Body		FLX55-5154R	1	Conversion, Part & Full Circle, W/ #51-54 Nozzles For Ribless Bodies ●▲
8	102-0151	1	Spring, Return		FLX55-5154RE	1	Conversion, Part & Full Circle, W/ #51-54 Nozzles & Effluent Cap For Ribless Bodies ●▲
9	89-7569	1	Seal, Riser		FLX55-5558R	1	Conversion, Part & Full Circle, W/ #55-58 Nozzles For Ribless Bodies ●▲
10	118-1079	1	Riser Assembly		FLX55-5558RE	1	Conversion, Part & Full Circle, W/ #55-58 Nozzles & Effluent Cap For Ribless Bodies ●▲
11	102-4335	2	Plug, Nozzle		FLX55-59R	1	Conversion, Part & Full Circle, W/ #59 Nozzle For Ribless Bodies ●▲
12	102-5670	1	Nozzle Assy. Inner, Yellow W/ White Helical Restrictor (Used W/ #1-5 Mains)		FLX55-59RE	1	Conversion, Part & Full Circle, W/ #59 Nozzle & Effluent Cap For Ribless Bodies ●▲
12	102-6531	1	Nozzle Assy., Inner, Green W/ White Helical Restrictor (Used W/ #6-9 Mains)		995-09	1	Valve Removal Tool ■▲
13	102-5671	1	Intermediate Nozzle Assy., Brown W/ Stream Straightener (Used W/ #1 Main)		995-101	1	Valve Insertion Tool ■▲
13	102-6884	1	Intermediate Nozzle, Yellow (Used W/ #2-4 Mains)		995-15		Selector Tool (Flag Key) ■▲
13	102-6885	1	Intermediate Nozzle, Green (Used W/ #5-9 Mains)		995-99		Nut Driver, 5/8" (For Main Nozzle) ■▲
14	102-5978	1	O-Ring, Nozzle Housing		995-105		Nut Driver, 5/16" (For Inner & Intermediate Nozzles And Plugs) ■▲
15	102-5597	1	Nozzle Housing Assy. (Includes Item 14)		995-83		Multi-Purpose Tool ■▲
16	363-4978	1	O-Ring, Main Nozzle		995-85		Riser Removal Tool ■▲
17	102-6906	1	Nozzle, Main, #51, Yellow		995-100		Valve Snap Ring Pliers With Screen Remover ■▲
17	102-0726	1	Nozzle, Main, #52, Blue		995-102	1	Riser Hold-Up Tool, Universal ■▲
17	102-6907	1	Nozzle, Main, #53, Brown		118-0954	1	Riser Hold-Up Tool, Red ●▲
17	102-0728	1	Nozzle, Main, #54, Orange		995-82	1	Adjustment Tool, 3/32" ●▲
17	102-6955	1	Nozzle, Main, #55, Green				
17	102-6935	1	Nozzle, Main, #56, Gray				
17	102-6936	1	Nozzle, Main, #57, Black				
17	102-6909	1	Nozzle, Main, #58, Red				
17	102-4259	1	Nozzle, Main, #59, Beige				
18	363-4236	1	Screw, Drive				
19	102-4504	1	Drive Assy., 12-Pack				
20	102-1939	1	Stator Assembly, Low Flow (Used W/ #51-54 Main Nozzles)				
20	118-7282	1	Stator Assembly, Medium Flow (Used W/ #55-58 Main Nozzles)				

● SERVICE ITEMS
▲ Not illustrated

■ SERVICE TOOLS

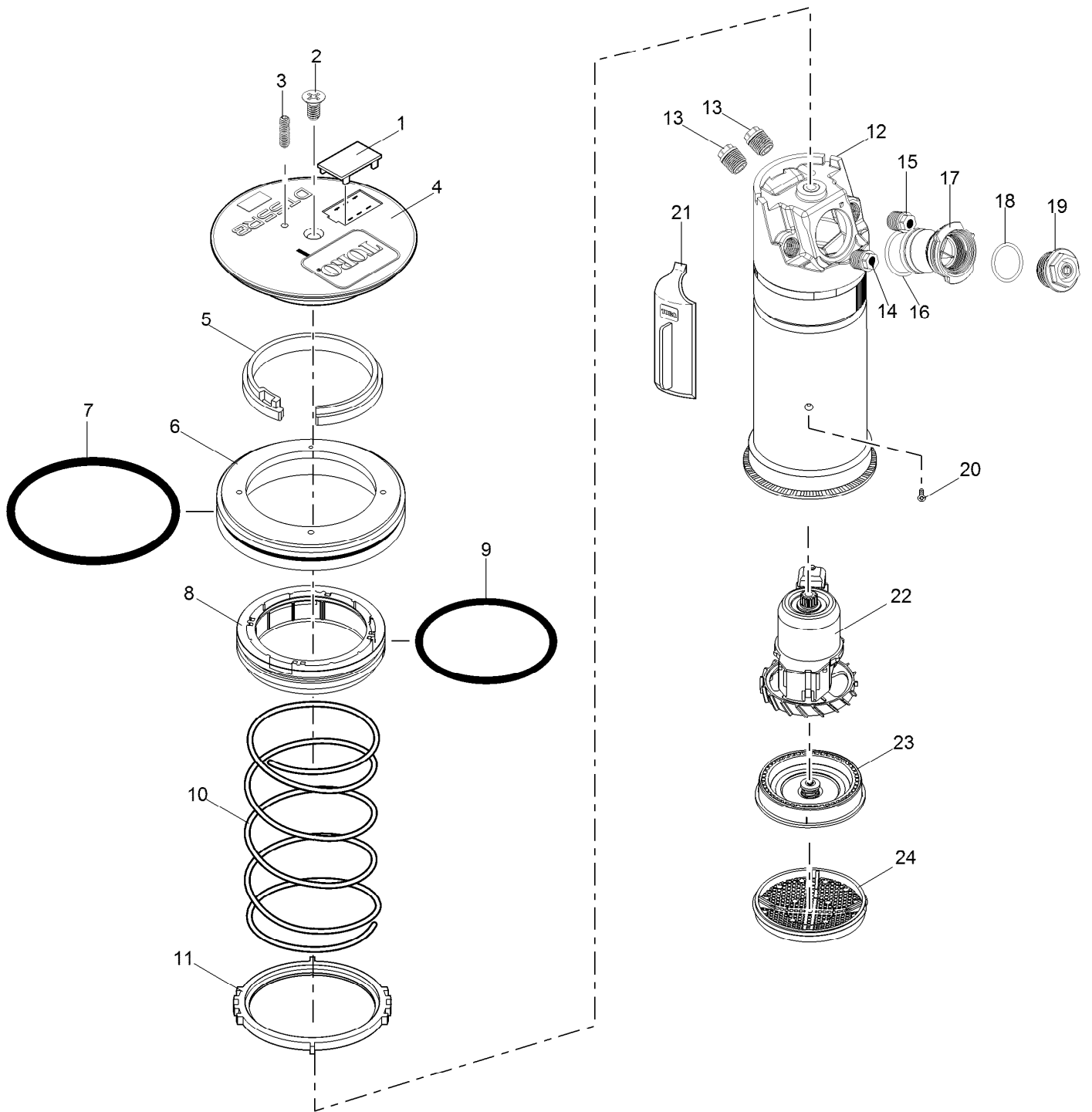
FLX55 Series Golf Sprinkler w/ Dual Trajectory (continued)

Ref.	Part Number	Qty.	Description	Ref.	Part Number	Qty.	Description
1	102-6138	1	Screw, Cap, Black	16	102-6936	1	Nozzle, Main, #57, Black
2	363-4839	1	Radius Reduction Screw	16	102-6909	1	Nozzle, Main, #58, Red
3	118-6922	1	Cap, Flx 54/55	16	102-4259	1	Nozzle, Main, #59, Beige
3	118-6923	1	Cap, Effluent	17	363-4236	1	Screw, Drive
4	35-6119	1	Snap Ring, Riser	18	102-4504	1	Drive Assy., 12-Pack
5	363-4103	1	O-Ring, Body	19	102-1939	1	Stator Assembly, Low Flow (Used W/ #51-54 Main Nozzles)
6	102-0136	1	Retainer, Seal, 1.5"	19	118-7282	1	Stator Assembly, Medium Flow (Used W/ #55-58 Main Nozzles)
7	102-0151	1	Spring, Return	19	102-1941	1	Stator Assembly, High-Flow (Used With #59 Main Nozzle)
8	102-4967	1	Ratchet Ring, 1.5"	20	102-1715	1	Screen, Riser
9	118-1079	1	Riser Assembly	21		1	Body Assembly (See Golf Body Assembly Section.) ▲
10	102-4335	2	Plug, Nozzle	22	89-1589	1	Plug, Cap (Black)
11	102-5670	1	Nozzle Assy. Inner, Yellow W/ White Helical Restrictor (Used With #51-55 Main Nozzles)	22	118-1103	1	Plug, Cap (Lavender)
11	102-6531	1	Nozzle Assy., Inner, Green W/ White Helical Restrictor (Used With #56-59 Main Nozzles)		118-1521	1	Adapter, Main Nozzle ■●
12	102-5671	1	Intermediate Nozzle Assy., Brown W/ Stream Straightener (Used With #51 Main Nozzle)		995-09	1	Valve Removal Tool ■●
12	102-6884	1	Intermediate Nozzle, Yellow (Used With #52-54 Main Nozzles)		995-101	1	Valve Insertion Tool ■●
12	102-6885	1	Intermediate Nozzle, Green (Used With #55-59 Main Nozzles)		995-15	1	Selector Tool (Flag Key) ■●
13	102-5978	1	O-Ring, Nozzle Housing		995-99	1	Nut Driver, 5/8" (For Main Nozzle) ■●
14	102-5597	1	Nozzle Housing Assy.		995-105	1	Nut Driver, 5/16" (For Inner & Intermediate Nozzles And Plugs) ■●
15	363-4978	1	O-Ring, Main Nozzle		995-83	1	Multi-Purpose Tool ■●
16	102-6906	1	Nozzle, Main, #51, Yellow		995-85	1	Riser Removal Tool ■●
16	102-0726	1	Nozzle, Main, #52, Blue		995-100	1	Valve Snap Ring Pliers With Screen Remover ■●
16	102-6907	1	Nozzle, Main, #53, Brown		995-102	1	Riser Hold-Up Tool, Universal ■●
16	102-0728	1	Nozzle, Main, #54, Orange		118-0954	1	Riser Hold-Up Tool, Red ■●
16	102-6955	1	Nozzle, Main, #55, Green		102-5675	1	Cap, Blank, Effluent ■●
16	102-6935	1	Nozzle, Main, #56, Gray		995-82	1	Adjustment Tool, 3/32" ■●

● SERVICE ITEMS
▲ Not serviced separately

■ Not illustrated

FLX55RB R Series Conversion w/ Dual Trajectory



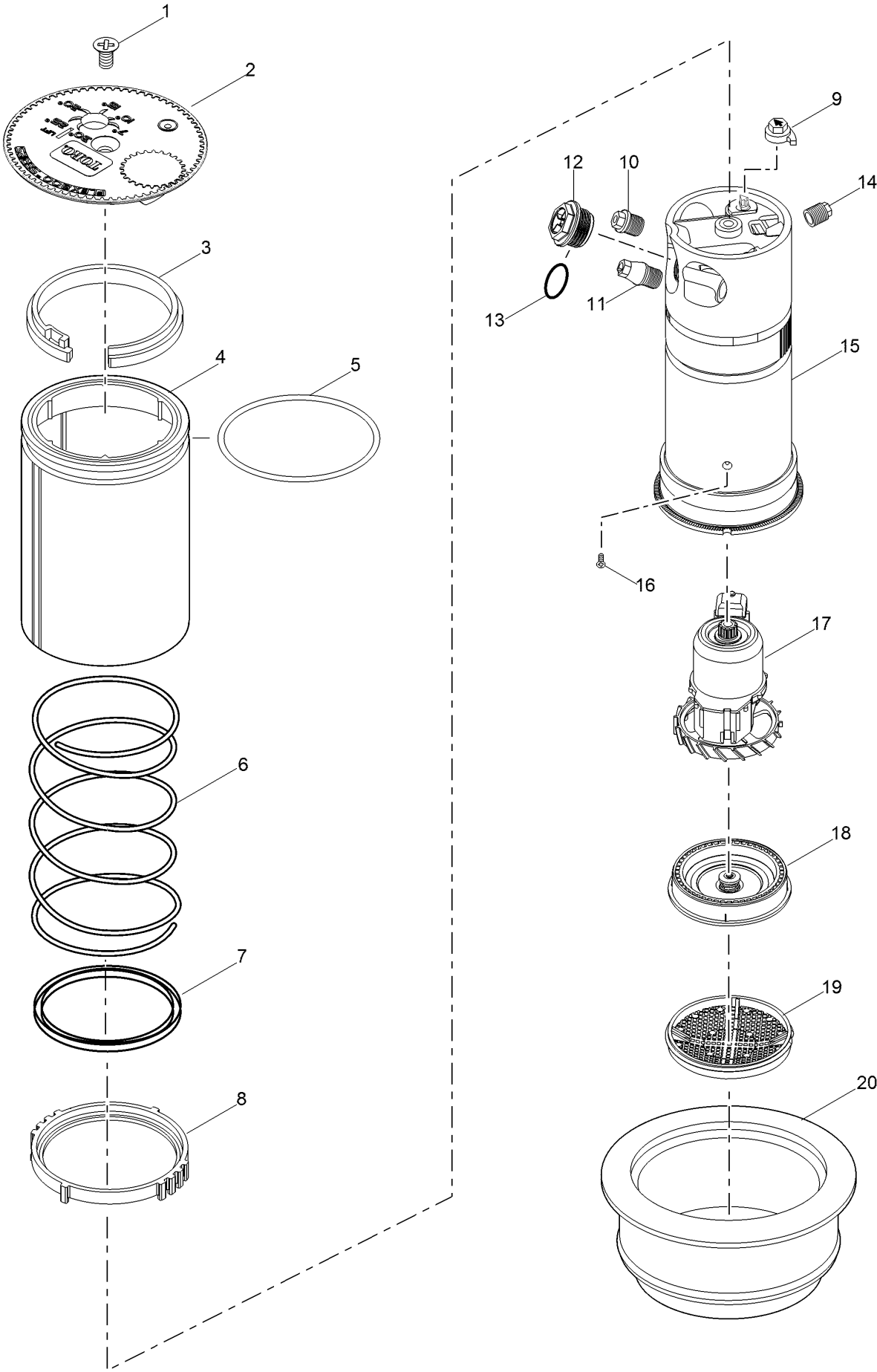
FLX55RB R Series Conversion w/ Dual Trajectory (continued)

<i>Ref.</i>	<i>Part Number</i>	<i>Qty.</i>	<i>Description</i>	<i>Ref.</i>	<i>Part Number</i>	<i>Qty.</i>	<i>Description</i>
1	89-1589	1	Plug, Cap (Black)	19	102-6955	1	Nozzle, Main, #55, Green
1	118-1103	1	Plug, Cap (Lavender)	19	102-6935	1	Nozzle, Main, #56, Gray
2	102-6138	1	Screw, Cap, Black	19	102-6936	1	Nozzle, Main, #57, Black
3	363-4839	1	Radius Reduction Screw	19	102-6909	1	Nozzle, Main, #58, Red
4	118-0960	1	Cap, Dt55Rb	19	102-4259	1	Nozzle, Main, #59, Beige
5	118-0780	1	Snap Ring, Riser	20	363-4236	1	Screw, Drive
6	118-0774	1	Retainer, Rb900	21	118-0954	1	Riser Hold-Up Tool, Red
7	364-0576	1	O-Ring, Rb900	22	102-4504	1	Drive Assy., 12-Pack
8	102-0134	1	Retainer, Seal	23	102-1939	1	Stator Assembly, Low Flow (Used W/ #51-54 Main Nozzles)
9	363-4102	1	O-Ring, Paraffin As-568 232				
10	102-0151	1	Spring, Return				
11	118-0776	1	Ratchet Ring, Rb900	23	118-7282	1	Stator Assembly, Medium Flow (Used W/ #55-58 Main Nozzles)
12	118-1079	1	Riser Assembly				
13	102-4335	2	Plug, Nozzle				
14	102-5670	1	Nozzle Assy. Inner, Yellow W/ White Helical Restrictor	23	102-1941	1	Stator Assembly, High-Flow (Use W/ #59 Nozzle)
14	102-6531	1	Nozzle Assy., Inner, Green W/ White Helical Restrictor	24	102-1715	1	Screen, Riser
15	102-6884	1	Intermediate Nozzle, Yellow		102-2208	1	Nozzle, Main, #30 (Plug) ●■
15	102-6885	1	Intermediate Nozzle, Green		118-0976	1	Cap, Blank ●■
15	102-5671	1	Intermediate Nozzle Assy., Brown W/ Stream Straightener		118-0977	1	Cap, Blank, Effluent ●■
					995-99	1	Nut Driver, 5/8" (For Main Nozzle) ●■
					995-105	1	Nut Driver, 5/16" (For Inner & Intermediate Nozzles And Plugs) ●■
16	102-5978	1	O-Ring, Nozzle Housing				
17	102-5597	1	Nozzle Housing Assy.				
18	363-4104	1	O-Ring, Main Nozzle		995-83	1	Multi-Purpose Tool ●■
19	102-6906	1	Nozzle, Main, #51, Yellow		995-82	1	Adjustment Tool, 3/32" (T-Handle Hex Wrench) ●■
19	102-0726	1	Nozzle, Main, #52, Blue				
19	102-6907	1	Nozzle, Main, #53, Brown		118-1521	1	Adapter, Main Nozzle ●■
19	102-0728	1	Nozzle, Main, #54, Orange				

● SERVICE ITEMS

■ Not illustrated

FLX55-6 Ribless Body Conv w/ 24-Pos TruJectory



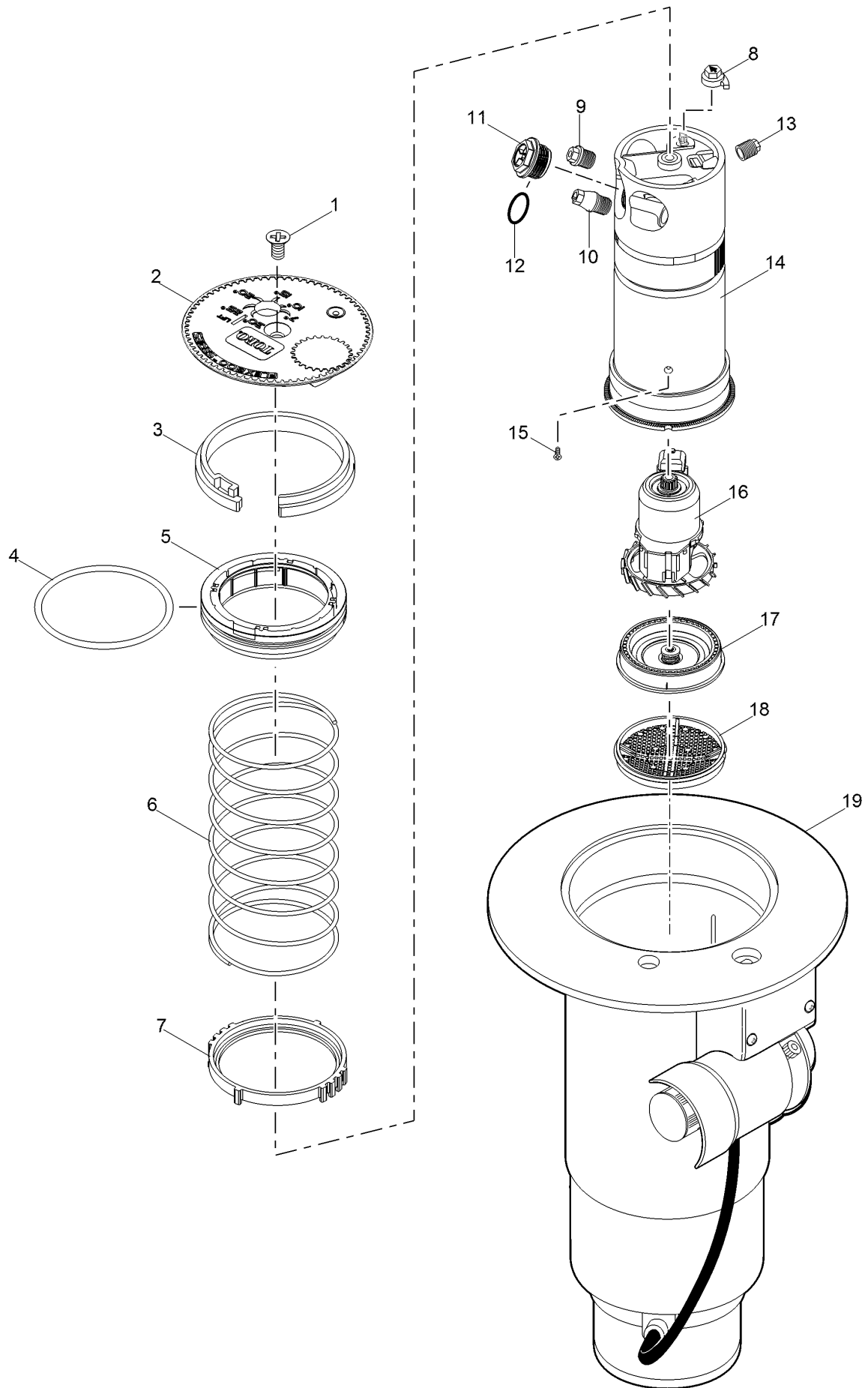
FLX55-6 Ribless Body Conv w/ 24-Pos TruJectory (continued)

<i>Ref.</i>	<i>Part Number</i>	<i>Qty.</i>	<i>Description</i>	<i>Ref.</i>	<i>Part Number</i>	<i>Qty.</i>	<i>Description</i>
1	102-6138	1	Screw, Cap, Black	15	102-2892	1	Riser Assembly
2	118-6924	1	Cap, Black	16	363-4236	1	Screw, Drive
2	118-6925	1	Cap, Effluent	17	102-4504	1	Drive Assy., 12-Pack
3	35-6119	1	Snap Ring, Riser	18	102-1939	1	Stator Assembly, Low Flow (Used W/ #51-54 Main Nozzles)
4	89-7568	1	Sleeve, Retainer, O-Ring, Conversion	18	118-7282	1	Stator Assembly, Medium Flow (Used W/ #55-58 Main Nozzles)
5	363-4103	1	O-Ring, Body	18	102-1941	1	Stator Assembly, High-Flow (Use W/ #59 Nozzle)
6	102-0151	1	Spring, Return	19	102-1715	1	Screen, Riser
7	89-7569	1	Seal, Riser	20	102-0950	1	Adapter, Conversion
8	102-2619	1	Ratchet Ring, 1"		118-1521	1	Adapter, Main Nozzle ●▲
9	102-5971	1	Trajectory Adjuster		102-4337		Stream Straightener, Intermediate Nozzle ● ▲
10	102-2925	1	Intermediate Nozzle, Blue (Use W/ #1, #5, #6, #8 & #9 Mains)		102-2041		Restrictor, Yellow, Inner Nozzle ●▲
10	102-2926	1	Intermediate Nozzle, Orange (Use W/ #3, #4 & #7 Mains)		102-2497		Cap, Blank ●▲
10	102-2928	1	Intermediate Nozzle, Red (Use W/ #2 Main)		102-2498		Cap, Blank, Effluent ●▲
11	102-2910	1	Nozzle Assembly, Inner		995-99		Nut Driver, 5/8" (For Main Nozzle) ■▲
12	102-4587	1	Nozzle, Main, #51, Yellow		995-105		Nut Driver, 5/16" (For Inner & Intermediate Nozzles And Plugs) ■▲
12	102-4588	1	Nozzle, Main, #52, Blue		995-83		Multi-Purpose Tool ■▲
12	102-4589	1	Nozzle, Main, #53, Brown		995-85		Riser Removal Tool ■▲
12	102-0728	1	Nozzle, Main, #54, Orange		995-102		Riser Hold-Up Tool, Universal ■▲
12	102-0729	1	Nozzle, Main, #55, Green		118-0954	1	Riser Hold-Up Tool, Red ■▲
12	102-0730	1	Nozzle, Main, #56, Gray				
12	102-4261	1	Nozzle, Main, #57, Black				
12	102-4260	1	Nozzle, Main, #58, Red				
12	102-4259	1	Nozzle, Main, #59, Beige				
13	363-4978	1	O-Ring, Main Nozzle				
14	102-4335	1	Plug, Nozzle				

● SERVICE ITEMS
▲ Not illustrated

■ SERVICE TOOLS

FLX55-6 Series Golf Sprinkler w/ 24-Pos TruJectory



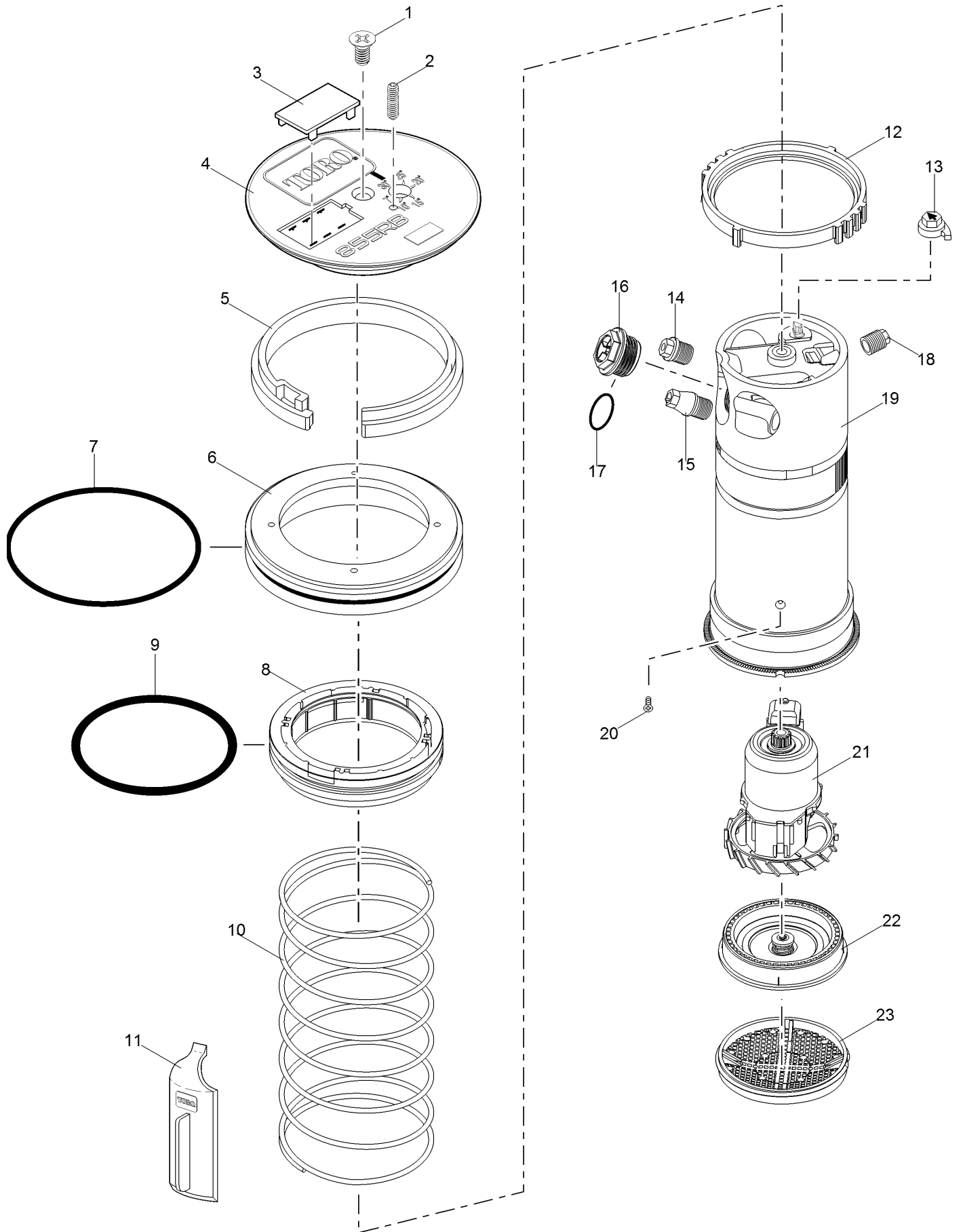
FLX55-6 Series Golf Sprinkler w/ 24-Pos TruJectory (continued)

Ref.	Part Number	Qty.	Description	Ref.	Part Number	Qty.	Description
1	102-6138	1	Screw, Cap, Black	17	118-7282	1	Stator Assembly, Medium Flow (Used W/ #55-58 Main Nozzles)
2	118-6924	1	Cap, Black				
2	118-6925	1	Cap, Effluent	17	102-1941	1	Stator Assembly, High-Flow (Used With #59 Nozzle)
3	35-6119	1	Snap Ring, Riser	18	102-1715	1	Screen, Riser
4	363-4103	1	O-Ring, Body	19		1	Body Assembly (See Golf Body Assembly Section.) ▲
5	102-0136	1	Retainer, Seal, 1.5"		102-4337	1	Stream Straightener, Intermediate Nozzle ■
6	102-0151	1	Spring, Return				
7	102-4967	1	Ratchet Ring, 1.5"		102-2041	1	Restrictor, Yellow, Inner Nozzle ■●
8	102-5971	1	Trajectory Adjuster		118-1521	1	Adapter, Main Nozzle ■●
9	102-2925	1	Intermediate Nozzle, Blue (Used With #51, #55, #56, #58 And #59 Main Nozzles)	995-09		1	Valve Removal Tool ■●
9	102-2926	1	Intermediate Nozzle, Orange (Used With #53, #54 And #57 Main Nozzles)	995-101		1	Valve Insertion Tool ■●
9	102-2928	1	Intermediate Nozzle, Red (Used With #52 Main Nozzle)	995-15		1	Selector Tool (Flag Key) ■●
10	102-2910	1	Nozzle Assembly, Inner	995-99		1	Nut Driver, 5/8" (For Main Nozzle) ■●
11	102-4587	1	Nozzle, Main, #51, Yellow	995-105		1	Nut Driver, 5/16" (For Inner & Intermediate Nozzles And Plugs) ■●
11	102-4588	1	Nozzle, Main, #52, Blue		995-83	1	Multi-Purpose Tool ■●
11	102-4589	1	Nozzle, Main, #53, Brown		995-85	1	Riser Removal Tool ■●
11	102-0728	1	Nozzle, Main, #54, Orange		995-100	1	Valve Snap Ring Pliers With Screen Remover ■●
11	102-0729	1	Nozzle, Main, #55, Green		995-102	1	Riser Hold-Up Tool, Universal ■●
11	102-0730	1	Nozzle, Main, #56, Gray		118-0954	1	Riser Hold-Up Tool, Red ■●
11	102-4261	1	Nozzle, Main, #57, Black		102-2497	1	Cap, Blank ●■
11	102-4260	1	Nozzle, Main, #58, Red		102-2498	1	Cap, Blank, Effluent ●■
11	102-4259	1	Nozzle, Main, #59, Beige				
12	363-4978	1	O-Ring, Main Nozzle				
13	102-4335	1	Plug, Nozzle				
14	102-2892	1	Riser Assembly				
15	363-4236	1	Screw, Drive				
16	102-4504	1	Drive Assy., 12-Pack				
17	102-1939	1	Stator Assembly, Low Flow (Used W/ #51-54 Main Nozzles)				

● SERVICE ITEMS
▲ Not serviced separately

■ Not illustrated

FLX55-6RB R Series Conv w/ 24-Pos TruJectory



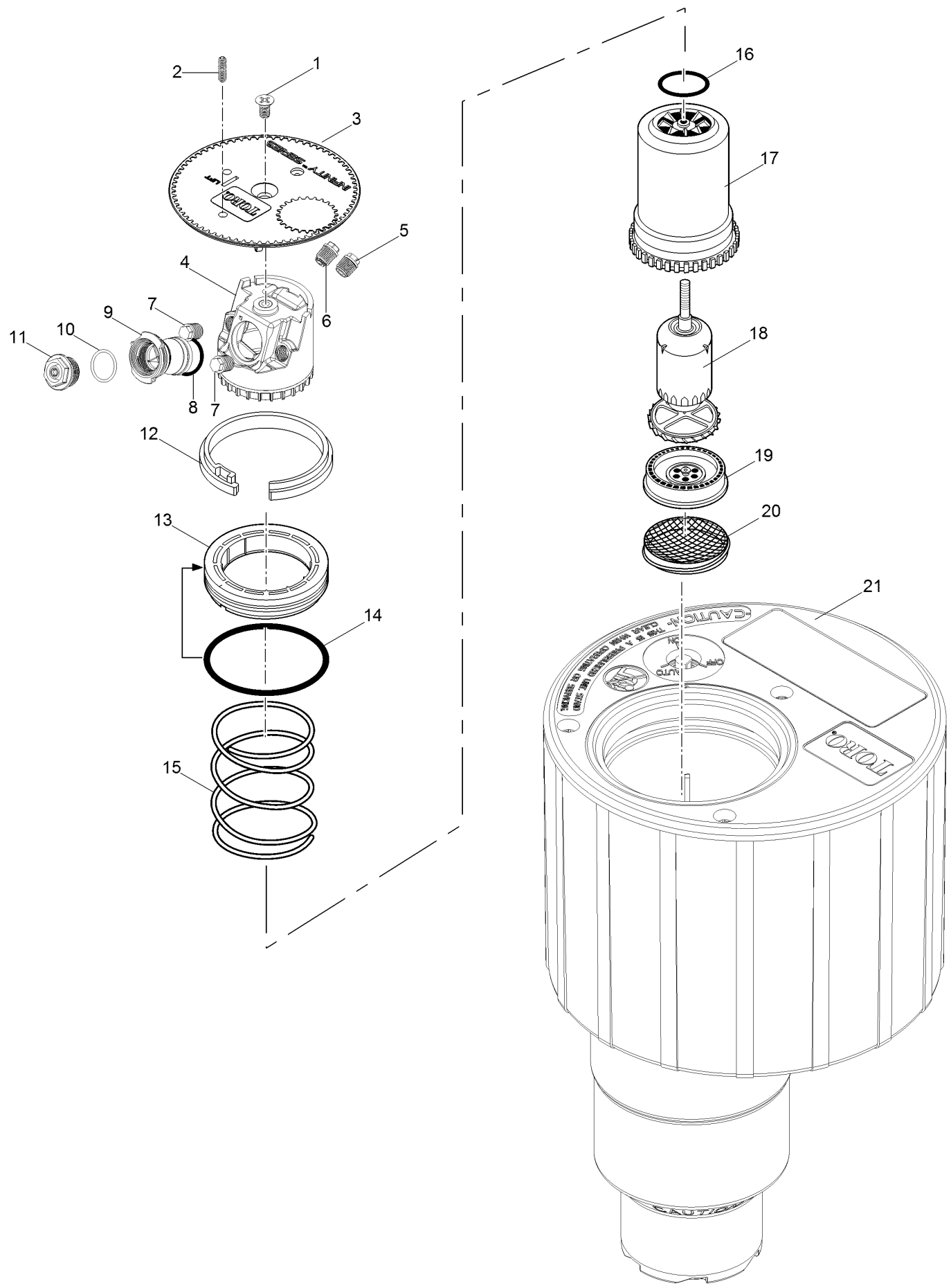
FLX55-6RB R Series Conv w/ 24-Pos TruJectory (continued)

<i>Ref.</i>	<i>Part Number</i>	<i>Qty.</i>	<i>Description</i>	<i>Ref.</i>	<i>Part Number</i>	<i>Qty.</i>	<i>Description</i>
1	102-6138	1	Screw, Cap, Black	16	102-4259	1	Nozzle, Main, #59, Beige
2	363-4839	1	Radius Reduction Screw	16	118-1521	1	Adapter, Main Nozzle
3	89-1589	1	Plug, Cap (Black)	17	363-4104	1	O-Ring, Main Nozzle
3	118-1103	1	Plug, Cap (Lavender)	18	102-4335	1	Plug, Nozzle
4	118-0960	1	Cap, Dt55Rb	19	102-2892	1	Riser Assembly
5	118-0780	1	Snap Ring, Riser	20	363-4236	1	Screw, Drive
6	118-0774	1	Retainer, Rb900	21	102-4504	1	Drive Assy., 12-Pack
7	364-0576	1	O-Ring, Rb900	22	102-1939	1	Stator Assembly, Low Flow (Used W/ #51-54 Main Nozzles)
8	102-0134	1	Retainer, Seal				
9	363-4102	1	O-Ring, Paraffin As-568 232	22	118-7282	1	Stator Assembly, Medium Flow (Used W/ #55-58 Main Nozzles)
10	102-0151	1	Spring, Return				
11	118-0954	1	Riser Hold-Up Tool, Red				
12	118-0776	1	Ratchet Ring, Rb900				
13	102-5971	1	Trajectory Adjuster	22	102-1941	1	Stator Assembly, Medium Flow (Use W/ #59 Nozzle)
14	102-2925	1	Intermediate Nozzle, Blue				
14	102-2926	1	Intermediate Nozzle, Orange	23	102-1715	1	Screen, Riser
14	102-2928	1	Intermediate Nozzle, Red		YARDMARKYEL	1	Yardage Marker, Yellow (10-Sheets Per Pack) ●■
15	102-2910	1	Nozzle Assembly, Inner		YARDMARKLAV	1	Yardage Marker, Lavender (For Non-Potable Water Applications) ●■
16	102-4587	1	Nozzle, Main, #51, Yellow				
16	102-4588	1	Nozzle, Main, #52, Blue				
16	102-4589	1	Nozzle, Main, #53, Brown		118-0974	1	Cap, Blank ●■
16	102-0728	1	Nozzle, Main, #54, Orange		118-0975	1	Cap, Blank, Effluent ●■
16	102-0729	1	Nozzle, Main, #55, Green		995-99	1	Nut Driver, 5/8" ●■
16	102-0730	1	Nozzle, Main, #56, Gray		995-105	1	Nut Driver, 5/16" ●■
16	102-4261	1	Nozzle, Main, #57, Black		995-83	1	Multi-Purpose Tool ●■
16	102-4260	1	Nozzle, Main, #58, Red		995-82	1	Adjustment Tool, 3/32" ●■

● SERVICE ITEMS

■ Not illustrated

INF54 Series Golf Sprinkler w/ Dual Trajectory



INF54 Series Golf Sprinkler w/ Dual Trajectory (continued)

<i>Ref.</i>	<i>Part Number</i>	<i>Qty.</i>	<i>Description</i>	<i>Ref.</i>	<i>Part Number</i>	<i>Qty.</i>	<i>Description</i>
1	102-0362	1	Screw, Cap	11	102-0730	1	Nozzle, Main, #56, Gray
2	363-4839	1	Radius Reduction Screw	11	102-4261	1	Nozzle, Main, #57, Black
3	118-3091	1	Cap, Black	11	102-4260	1	Nozzle, Main, #58, Red
3	118-3095	1	Cap, Effluent	11	102-4259	1	Nozzle, Main, #59, Beige
4	102-5837	1	Nozzle Base Assembly	12	35-6119	1	Snap Ring, Riser
5	102-2925	1	Intermediate Nozzle, Blue (Used With #51 Main Nozzle)	13	102-0136	1	Retainer, Seal, 1.5"
5	102-2926	1	Intermediate Nozzle, Orange (Used With #52 Main Nozzle)	14	363-4103	1	O-Ring, Body
5	102-2928	1	Intermediate Nozzle, Red (Used With #53 Main Nozzle)	15	102-0151	1	Spring, Return
5	102-2929	1	Intermediate Nozzle, Beige (Used With #54 And #55 Main Nozzles)	16	363-4167	1	O-Ring, Nozzle Base
5	102-6944	1	Intermediate Nozzle Assy., Red W/ Stream Straightener (Used With #56 Main Nozzles)	17	102-0202	1	Riser
5	102-6945	1	Intermediate Nozzle Assy., Gray W/ Stream Straightener (Used With #57-59 Main Nozzles)	18	102-4503	1	Drive Assembly, 12-Pack
5	102-6883	1	Intermediate Nozzle, Brown (Used With #57 And #58 Main Nozzles, Front)	19	102-6929	1	Stator, Low Flow, High Velocity (Used With #51-54 Main Nozzles)
6	102-6937	1	Nozzle Assy. Inner, Yellow Nozzle W/ Yellow Helical Restrictor	19	102-1940	1	Stator Assembly, Medium Flow (Use With #55-58 Main Nozzles)
7	102-4335	2	Plug, Nozzle	19	118-7282	1	Stator Assembly, High Flow (Used W/ #59 Main Nozzle)
8	102-5978	1	O-Ring, Nozzle Housing	20	102-1715	1	Screen, Riser
9	102-5597	1	Nozzle Housing Assy.	21		1	Body Assembly (See Golf Sprinkler Body Assembly Section) ▲
10	363-4978	1	O-Ring, Main Nozzle		118-1521	1	Adapter, Main Nozzle ■●
11	102-0725	1	Nozzle, Main, #51, Yellow		995-09	1	Valve Removal Tool ■●
11	102-7001	1	Nozzle, Main, #52, Blue		118-1843	1	Valve Insertion Tool, 1.5" ■●
11	102-0727	1	Nozzle, Main, #53, Brown		995-15	1	Selector Tool (Flag Key) ■●
11	102-7002	1	Nozzle, Main, #54, Orange		995-99	1	Nut Driver, 5/8" (For Main Nozzle) ■●
11	102-6908	1	Nozzle, Main, #55, Green		995-105	1	Nut Driver, 5/16" (For Inner & Intermediate Nozzles And Plugs) ■●
					995-83	1	Multi-Purpose Tool ■●
					995-85	1	Riser Removal Tool ■●
					995-100	1	Valve Snap Ring Pliers With Screen Remover ■●
					995-102	1	Riser Hold-Up Tool, Universal ■●
					118-0954	1	Riser Hold-Up Tool, Red ■●

● SERVICE ITEMS
▲ Not serviced separately

■ Not illustrated

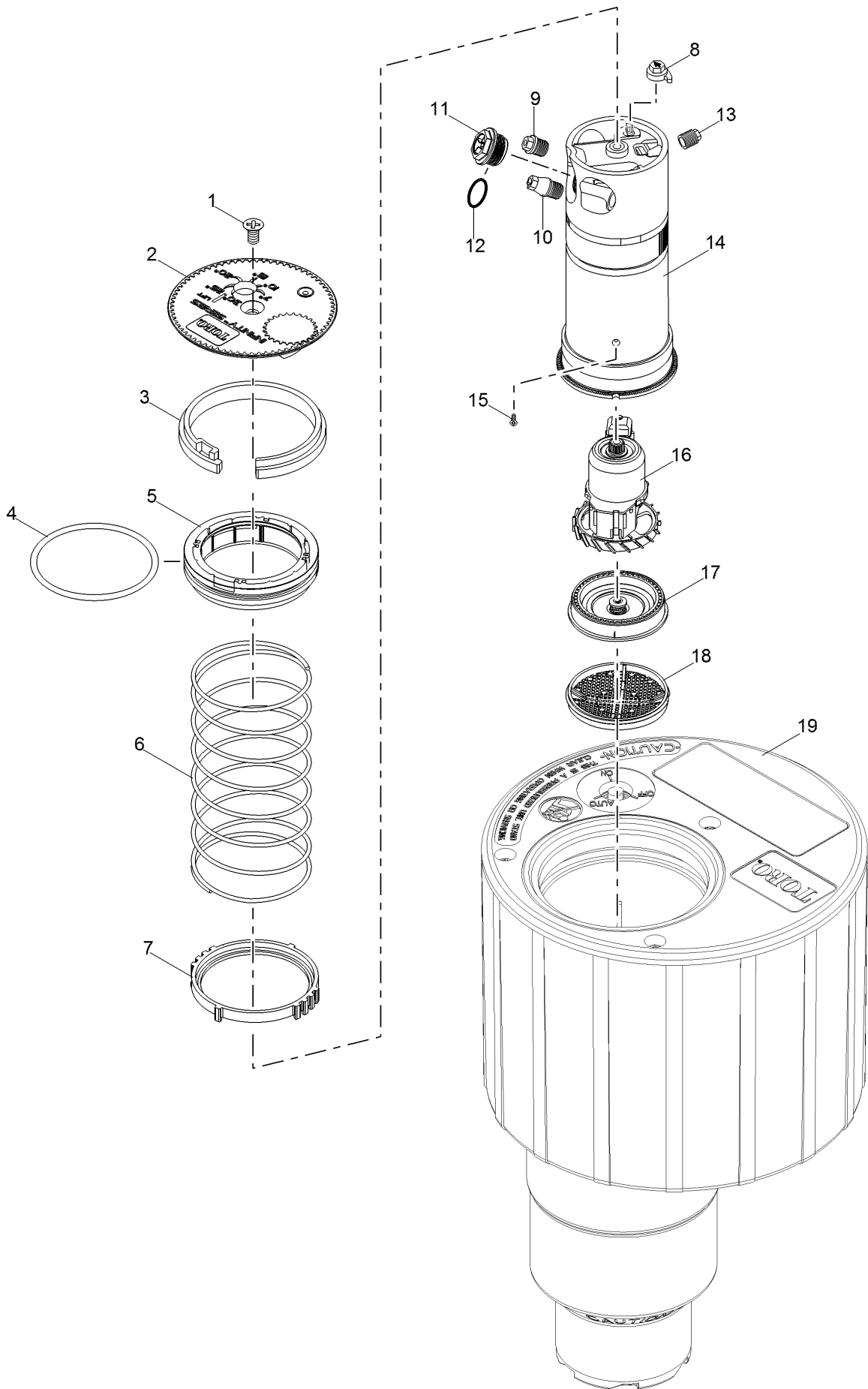
INF55 Series Golf Sprinkler w/ Dual Trajectory (continued)

<i>Ref.</i>	<i>Part Number</i>	<i>Qty.</i>	<i>Description</i>	<i>Ref.</i>	<i>Part Number</i>	<i>Qty.</i>	<i>Description</i>
1	102-6138	1	Screw, Cap, Black	16	102-6955	1	Nozzle, Main, #55, Green
2	363-4839	1	Radius Reduction Screw	16	102-6935	1	Nozzle, Main, #56, Gray
3	118-3091	1	Cap, Black	16	102-6936	1	Nozzle, Main, #57, Black
3	118-3095	1	Cap, Effluent	16	102-6909	1	Nozzle, Main, #58, Red
4	35-6119	1	Snap Ring, Riser	16	102-4259	1	Nozzle, Main, #59, Beige
5	363-4103	1	O-Ring, Body	17	363-4236	1	Screw, Drive
6	102-0136	1	Retainer, Seal, 1.5"	18	102-4504	1	Drive Assy., 12-Pack
7	102-0151	1	Spring, Return	19	102-1939	1	Stator Assembly, Low Flow (Used W/ #51-54 Main Nozzles)
8	102-4967	1	Ratchet Ring, 1.5"	19	118-7282	1	Stator Assembly, Medium Flow (Used W/ #55-58 Main Nozzles)
9	118-1079	1	Riser Assembly	19	102-1941	1	Stator Assembly, High-Flow (Used With #59 Main Nozzle)
10	102-4335	2	Plug, Nozzle	20	102-1715	1	Screen, Riser
11	102-5670	1	Nozzle Assy. Inner, Yellow W/ White Helical Restrictor (Used With #51-55 Main Nozzles)	21		1	Body Assembly (See Golf Body Assembly Section.) ▲
11	102-6531	1	Nozzle Assy., Inner, Green W/ White Helical Restrictor (Used With #56-59 Main Nozzles)	118-1521		1	Adapter, Main Nozzle ■●
12	102-5671	1	Intermediate Nozzle Assy., Brown W/ Stream Straightener (Used With #51 Main Nozzle)	995-09		1	Valve Removal Tool ■●
12	102-6884	1	Intermediate Nozzle, Yellow (Used With #52-54 Main Nozzles)	118-1843		1	Valve Insertion Tool, 1.5" ■●
12	102-6885	1	Intermediate Nozzle, Green (Used With #55-59 Main Nozzles)	995-15		1	Selector Tool (Flag Key) ■●
13	102-5978	1	O-Ring, Nozzle Housing	995-99		1	Nut Driver, 5/8" (For Main Nozzle) ■●
14	102-5597	1	Nozzle Housing Assy.	995-105		1	Nut Driver, 5/16" (For Inner & Intermediate Nozzles And Plugs) ■●
15	363-4978	1	O-Ring, Main Nozzle	995-83		1	Multi-Purpose Tool ■●
16	102-6906	1	Nozzle, Main, #51, Yellow	995-85		1	Riser Removal Tool ■●
16	102-0726	1	Nozzle, Main, #52, Blue	995-100		1	Valve Snap Ring Pliers With Screen Remover ■●
16	102-6907	1	Nozzle, Main, #53, Brown	995-102		1	Riser Hold-Up Tool, Universal ■●
16	102-0728	1	Nozzle, Main, #54, Orange	118-0954		1	Riser Hold-Up Tool, Red ■●

● SERVICE ITEMS
▲ Not serviced separately

■ Not illustrated

INF55-6 Series Golf Sprinkler w/ 24-Pos TruJectory



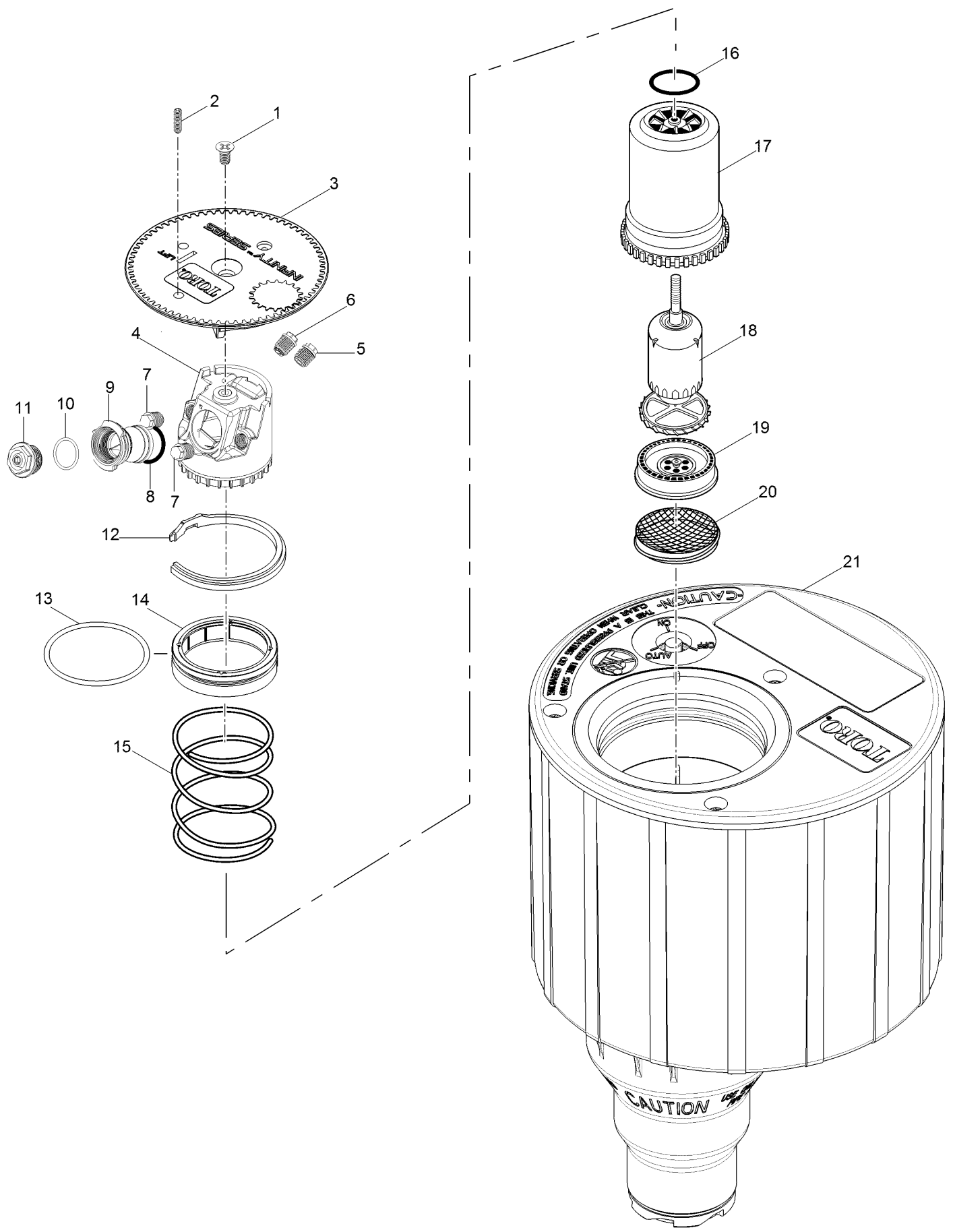
INF55-6 Series Golf Sprinkler w/ 24-Pos TruJectory (continued)

<i>Ref.</i>	<i>Part Number</i>	<i>Qty.</i>	<i>Description</i>	<i>Ref.</i>	<i>Part Number</i>	<i>Qty.</i>	<i>Description</i>
1	102-6138	1	Screw, Cap, Black	16	102-4504	1	Drive Assy., 12-Pack
2	118-3092	1	Cap, Black	17	102-1939	1	Stator Assembly, Low Flow
2	118-3096	1	Cap, Effluent	17	118-7282	1	Stator Assembly, Medium Flow (Used W/ #51-54 Main Nozzles)
3	35-6119	1	Snap Ring, Riser	17	102-1941	1	Stator Assembly, High-Flow (Used With #59 Nozzle)
4	363-4103	1	O-Ring, Body	18	102-1715	1	Screen, Riser
5	102-0136	1	Retainer, Seal, 1.5"	19		1	Body Assembly (See Golf Body Assembly Section.) ▲
6	102-0151	1	Spring, Return		102-4337	1	Stream Straightener, Intermediate Nozzle ■
7	102-4967	1	Ratchet Ring, 1.5"		102-2041	1	Restrictor, Yellow, Inner Nozzle ■●
8	102-5971	1	Trajectory Adjuster		118-1521	1	Adapter, Main Nozzle ■●
9	102-2925	1	Intermediate Nozzle, Blue (Used With #51, #55, #56, #58 And #59 Main Nozzles)		995-09	1	Valve Removal Tool ■●
9	102-2926	1	Intermediate Nozzle, Orange (Used With #53, #54 And #57 Main Nozzles)		118-1843	1	Valve Insertion Tool, 1.5" ■●
9	102-2928	1	Intermediate Nozzle, Red (Used With #52 Main Nozzle)		995-15	1	Selector Tool (Flag Key) ■●
10	102-2910	1	Nozzle Assembly, Inner		995-99	1	Nut Driver, 5/8" (For Main Nozzle) ■●
11	102-4587	1	Nozzle, Main, #51, Yellow		995-105	1	Nut Driver, 5/16" (For Inner & Intermediate Nozzles And Plugs) ■●
11	102-4588	1	Nozzle, Main, #52, Blue		995-83	1	Multi-Purpose Tool ■●
11	102-4589	1	Nozzle, Main, #53, Brown		995-85	1	Riser Removal Tool ■●
11	102-0728	1	Nozzle, Main, #54, Orange		995-100	1	Valve Snap Ring Pliers With Screen Remover ■●
11	102-0729	1	Nozzle, Main, #55, Green		995-102	1	Riser Hold-Up Tool, Universal ■●
11	102-0730	1	Nozzle, Main, #56, Gray		118-0954	1	Riser Hold-Up Tool, Red ■●
11	102-4261	1	Nozzle, Main, #57, Black				
11	102-4260	1	Nozzle, Main, #58, Red				
11	102-4259	1	Nozzle, Main, #59, Beige				
12	363-4978	1	O-Ring, Main Nozzle				
13	102-4335	1	Plug, Nozzle				
14	102-2892	1	Riser Assembly				
15	363-4236	1	Screw, Drive				

● SERVICE ITEMS
▲ Not serviced separately

■ Not illustrated

INF34 Series Golf Sprinkler w/ Dual Trajectory



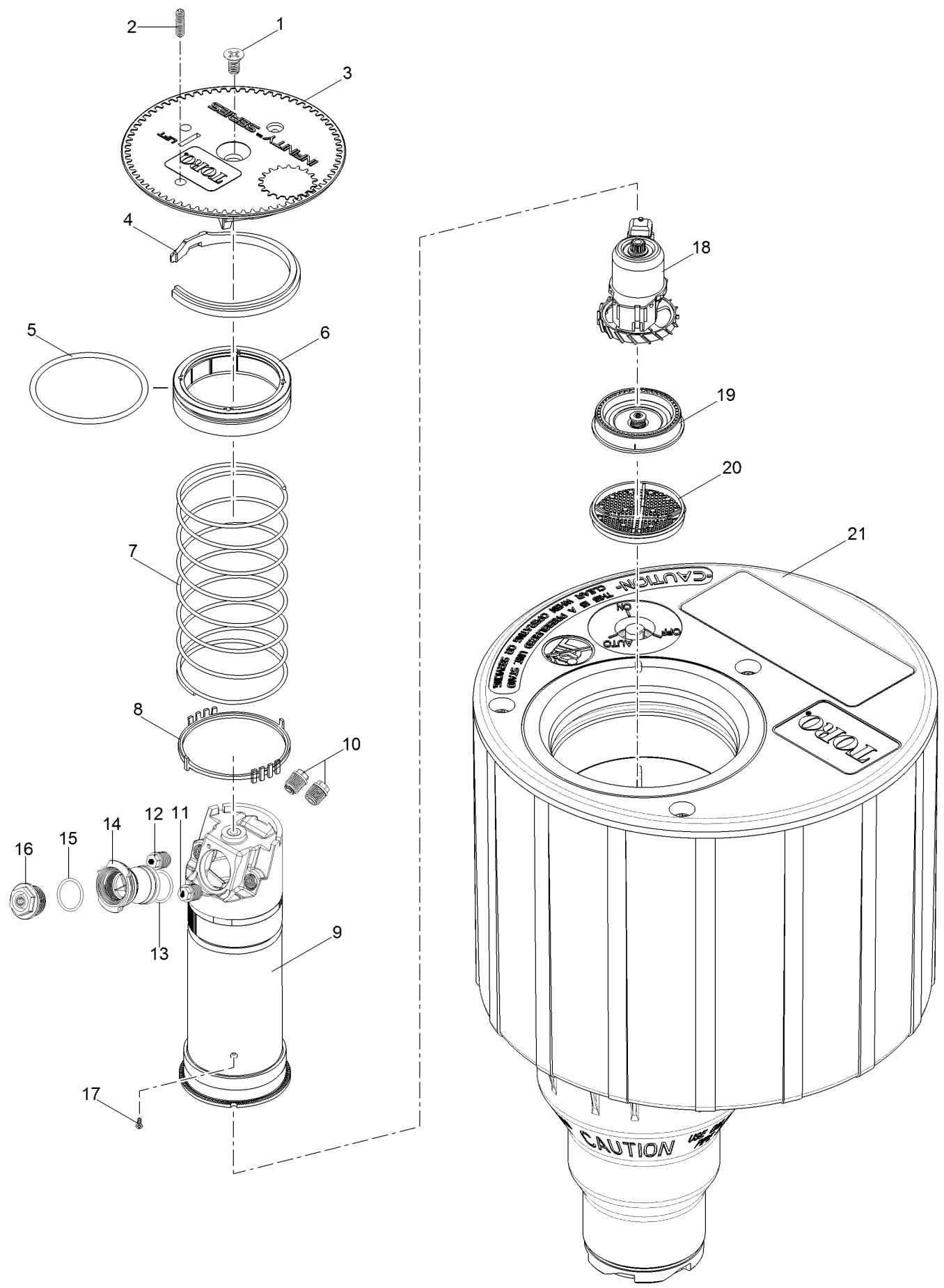
INF34 Series Golf Sprinkler w/ Dual Trajectory (continued)

<i>Ref.</i>	<i>Part Number</i>	<i>Qty.</i>	<i>Description</i>	<i>Ref.</i>	<i>Part Number</i>	<i>Qty.</i>	<i>Description</i>
1	102-0362	1	Screw, Cap	11	102-0730	1	Nozzle, Main, #36, Gray
2	363-4839	1	Radius Reduction Screw	11	102-4261	1	Nozzle, Main, #37, Black
3	118-3089	1	Cap, Black	12	89-1385	1	Snap Ring, Riser
3	118-3093	1	Cap, Effluent	13	363-4102	1	O-Ring, Paraffin As-568 232
4	102-5837	1	Nozzle Base Assembly	14	102-0134	1	Retainer, Seal
5	102-2925	1	Intermediate Nozzle, Blue (Used With #31 Main Nozzle)	15	102-0151	1	Spring, Return
5	102-2926	1	Intermediate Nozzle, Orange (Used With #32 Main Nozzle)	16	363-4167	1	O-Ring, Nozzle Base
5	102-2928	1	Intermediate Nozzle, Red (Used With #33 Main Nozzle)	17	102-0202	1	Riser
5	102-2929	1	Intermediate Nozzle, Beige (Used With #34 And #35 Main Nozzles)	18	102-4503	1	Drive Assembly, 12-Pack
5	102-6944	1	Intermediate Nozzle Assy., Red W/ Stream Straightener (Used With #36 Main Nozzle)	19	102-6929	1	Stator, Low Flow, High Velocity (Used With #31-34 Main Nozzles)
5	102-6945	1	Intermediate Nozzle Assy., Gray W/ Stream Straightener (Used With #37 Main Nozzle)	19	102-1940	1	Stator Assembly, Medium Flow (Used With #35-37 Main Nozzles)
6	102-6937	1	Nozzle Assy. Inner, Yellow Nozzle W/ Yellow Helical Restrictor	20	102-1715	1	Screen, Riser
7	102-4335	2	Plug, Nozzle	21		1	Body Assembly (See Golf Sprinkler Body Assembly Section) ▲
8	102-5978	1	O-Ring, Nozzle Housing		995-08	1	Valve Removal Tool ■●
9	102-5597	1	Nozzle Housing Assy.		118-1844	1	Valve Insertion Tool, 1" ■●
10	363-4978	1	O-Ring, Main Nozzle		995-15	1	Selector Tool (Flag Key) ■●
11	102-0725	1	Nozzle, Main, #31, Yellow		995-99	1	Nut Driver, 5/8" (For Main Nozzle) ■●
11	102-7001	1	Nozzle, Main, #32, Blue		995-105	1	Nut Driver, 5/16" (For Inner & Intermediate Nozzles And Plugs) ■●
11	102-0727	1	Nozzle, Main, #33, Brown		995-83	1	Multi-Purpose Tool ■●
11	102-7002	1	Nozzle, Main, #34, Orange		995-85	1	Riser Removal Tool ■●
11	102-6908	1	Nozzle, Main, #35, Green		995-100	1	Valve Snap Ring Pliers With Screen Remover ■●
					995-102	1	Riser Hold-Up Tool, Universal ■●
					118-0954	1	Riser Hold-Up Tool, Red ■●
					118-1521	1	Adapter, Main Nozzle ●■
					102-2208	1	Main Nozzle Plug ●■

● SERVICE ITEMS
▲ Not serviced separately

■ Not illustrated

INF35 Series Golf Sprinkler w/ Dual Trajectory



INF35 Series Golf Sprinkler w/ Dual Trajectory (continued)

<i>Ref.</i>	<i>Part Number</i>	<i>Qty.</i>	<i>Description</i>	<i>Ref.</i>	<i>Part Number</i>	<i>Qty.</i>	<i>Description</i>
1	102-6138	1	Screw, Cap, Black	16	102-6906	1	Nozzle, Main, #31, Yellow
2	363-4839	1	Radius Reduction Screw	16	102-0726	1	Nozzle, Main, #32, Blue
3	118-3089	1	Cap, Black	16	102-6907	1	Nozzle, Main, #33, Brown
3	118-3093	1	Cap, Effluent	16	102-0728	1	Nozzle, Main, #34, Orange
4	89-1385	1	Snap Ring, Riser	16	102-6955	1	Nozzle, Main, #35, Green
5	363-4102	1	O-Ring, Paraffin As-568 232	16	102-6935	1	Nozzle, Main, #36, Gray
6	102-0134	1	Retainer, Seal	16	102-6936	1	Nozzle, Main, #37, Black
7	102-0151	1	Spring, Return	16	118-1521	1	Adapter, Main Nozzle
8	102-2619	1	Ratchet Ring, 1"	17	363-4236	1	Screw, Drive
9	118-1079	1	Riser Assembly	18	102-4504	1	Drive Assy., 12-Pack
10	102-4335	2	Plug, Nozzle	19	102-6929	1	Stator, Low Flow, High Velocity (Used With #30 Main Nozzle)
11	102-5670	1	Nozzle Assy. Inner, Yellow W/ White Helical Restrictor (Used With #30-35 Main Nozzles)	19	102-1939	1	Stator Assembly, Low Flow (Used W/ #31-34 Main Nozzles)
11	102-6531	1	Nozzle Assy., Inner, Green W/ White Helical Restrictor (Used With #36-37 Main Nozzles)	19	118-7282	1	Stator Assembly, Medium Flow (Used W/ #35-37 Main Nozzles)
12	102-6942	1	Intermediate Nozzle Assy., Beige W/ Stream Straightener (Used With #30 Main Nozzle)	20	102-1715	1	Screen, Riser
12	102-5671	1	Intermediate Nozzle Assy., Brown W/ Stream Straightener (Used With #31 Main Nozzle)	21		1	Body Assembly (See Golf Body Assembly Section.) ▲
12	102-6884	1	Intermediate Nozzle, Yellow (Used With #32-34 Main Nozzles)		995-08	1	Valve Removal Tool ■●
12	102-6885	1	Intermediate Nozzle, Green (Used With #35-37 Main Nozzles)		118-1844	1	Valve Insertion Tool, 1" ■●
13	102-5978	1	O-Ring, Nozzle Housing		995-15	1	Selector Tool (Flag Key) ■●
14	102-5597	1	Nozzle Housing Assy.		995-99	1	Nut Driver, 5/8" (For Main Nozzle) ■●
15	363-4978	1	O-Ring, Main Nozzle		995-105	1	Nut Driver, 5/16" (For Inner & Intermediate Nozzles And Plugs) ■●
16	102-2208	1	Nozzle, Main, #30 (Plug)		995-83	1	Multi-Purpose Tool ■●
					995-85	1	Riser Removal Tool ■●
					995-100	1	Valve Snap Ring Pliers With Screen Remover ■●
					995-102	1	Riser Hold-Up Tool, Universal ■●
					118-0954	1	Riser Hold-Up Tool, Red ■●

● SERVICE ITEMS
▲ Not serviced separately

■ Not illustrated

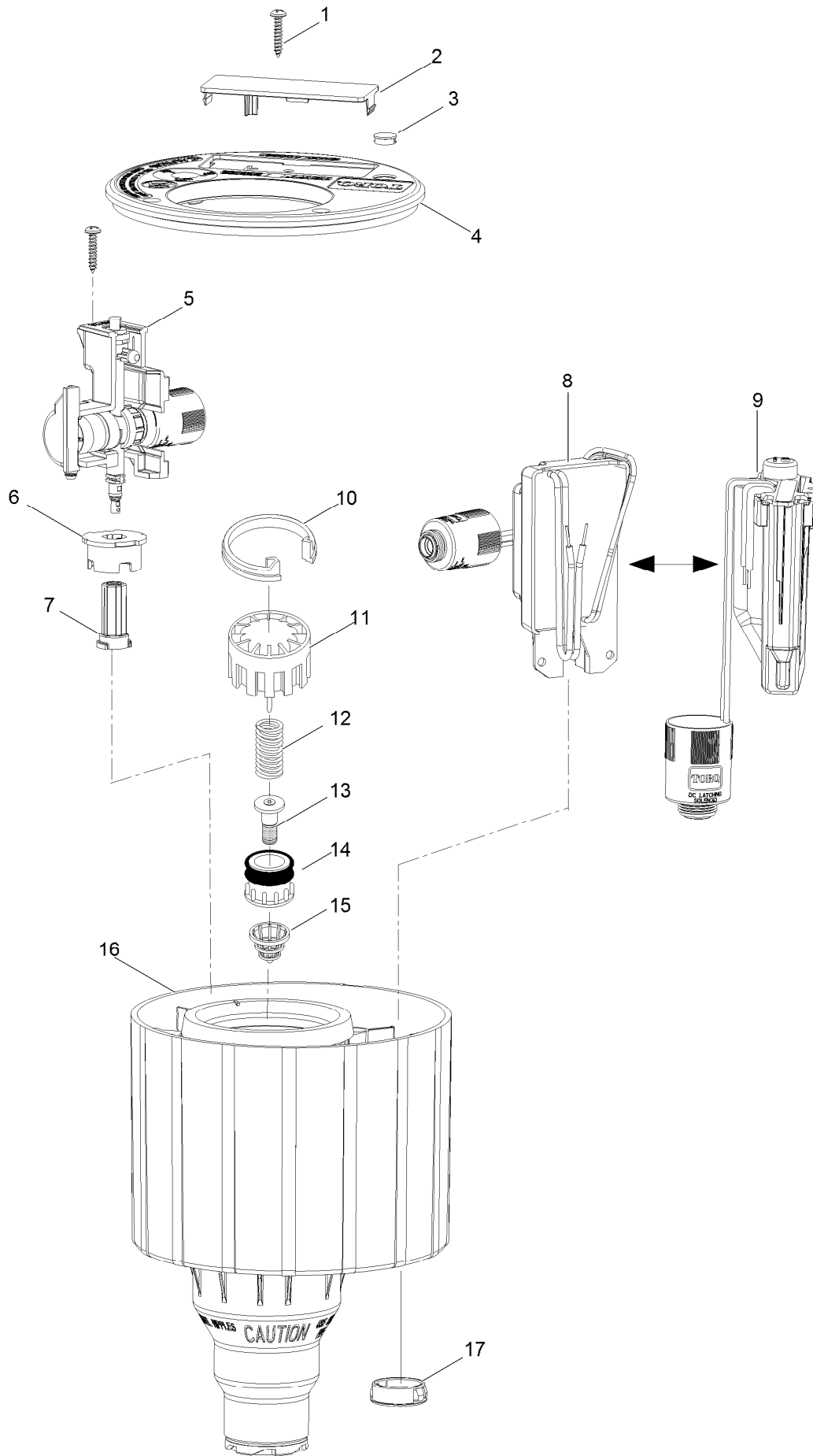
INF35-6 Series Golf Sprinkler w/ 24-Pos TruJectory (continued)

<i>Ref.</i>	<i>Part Number</i>	<i>Qty.</i>	<i>Description</i>	<i>Ref.</i>	<i>Part Number</i>	<i>Qty.</i>	<i>Description</i>
1	102-6138	1	Screw, Cap, Black	15	363-4236	1	Screw, Drive
2	118-3090	1	Cap, Black	16	102-4504	1	Drive Assy., 12-Pack
2	118-3094	1	Cap, Effluent	17	102-6929	1	Stator, Low Flow, High Velocity (Used With #30 Main Nozzle And Nozzle Adapter)
3	89-1385	1	Snap Ring, Riser				
4	363-4102	1	O-Ring, Paraffin As-568 232	17	102-1939	1	Stator Assembly, Low Flow (Used W/ #31-34 Main Nozzles)
5	102-0134	1	Retainer, Seal				
6	102-0151	1	Spring, Return	17	118-7282	1	Stator Assembly, Medium Flow (Used W/ #35-37 Main Nozzles)
7	102-2619	1	Ratchet Ring, 1"				
8	102-5971	1	Trajectory Adjuster	18	102-1715	1	Screen, Riser
9	102-2925	1	Intermediate Nozzle, Blue (Used With #30, #31, #35 And #36 Main Nozzles)	19		1	Body Assembly (See Golf Body Assembly Section.) ▲
9	102-2926	1	Intermediate Nozzle, Orange (Used With #33, #34 And #37 Main Nozzles)		995-08	1	Valve Removal Tool ■●
9	102-2928	1	Intermediate Nozzle, Red (Used With #32 Main Nozzle)		118-1844	1	Valve Insertion Tool, 1" ■●
10	102-2910	1	Nozzle Assembly, Inner		995-15	1	Selector Tool (Flag Key) ■●
11	102-2208	1	Nozzle, Main, #30 (Plug)		995-99	1	Nut Driver, 5/8" (For Main Nozzle) ■●
11	102-4587	1	Nozzle, Main, #31, Yellow		995-105	1	Nut Driver, 5/16" (For Inner & Intermediate Nozzles And Plugs) ■●
11	102-4588	1	Nozzle, Main, #52, Blue				
11	102-4589	1	Nozzle, Main, #53, Brown		995-83	1	Multi-Purpose Tool ■●
11	102-0728	1	Nozzle, Main, #34, Orange		995-85	1	Riser Removal Tool ■●
11	102-0729	1	Nozzle, Main, #55, Green		995-100	1	Valve Snap Ring Pliers With Screen Remover ■●
11	102-0730	1	Nozzle, Main, #36, Gray				
11	102-4261	1	Nozzle, Main, #37, Black		995-102	1	Riser Hold-Up Tool, Universal ■●
11	118-1521	1	Adapter, Main Nozzle				
12	363-4978	1	O-Ring, Main Nozzle		118-0954	1	Riser Hold-Up Tool, Red ■●
13	102-4335	1	Plug, Nozzle				
14	102-2892	1	Riser Assembly				

● SERVICE ITEMS
▲ Not serviced separately

■ Not illustrated

INFINITY Series 1 Inch Golf Sprinkler Body



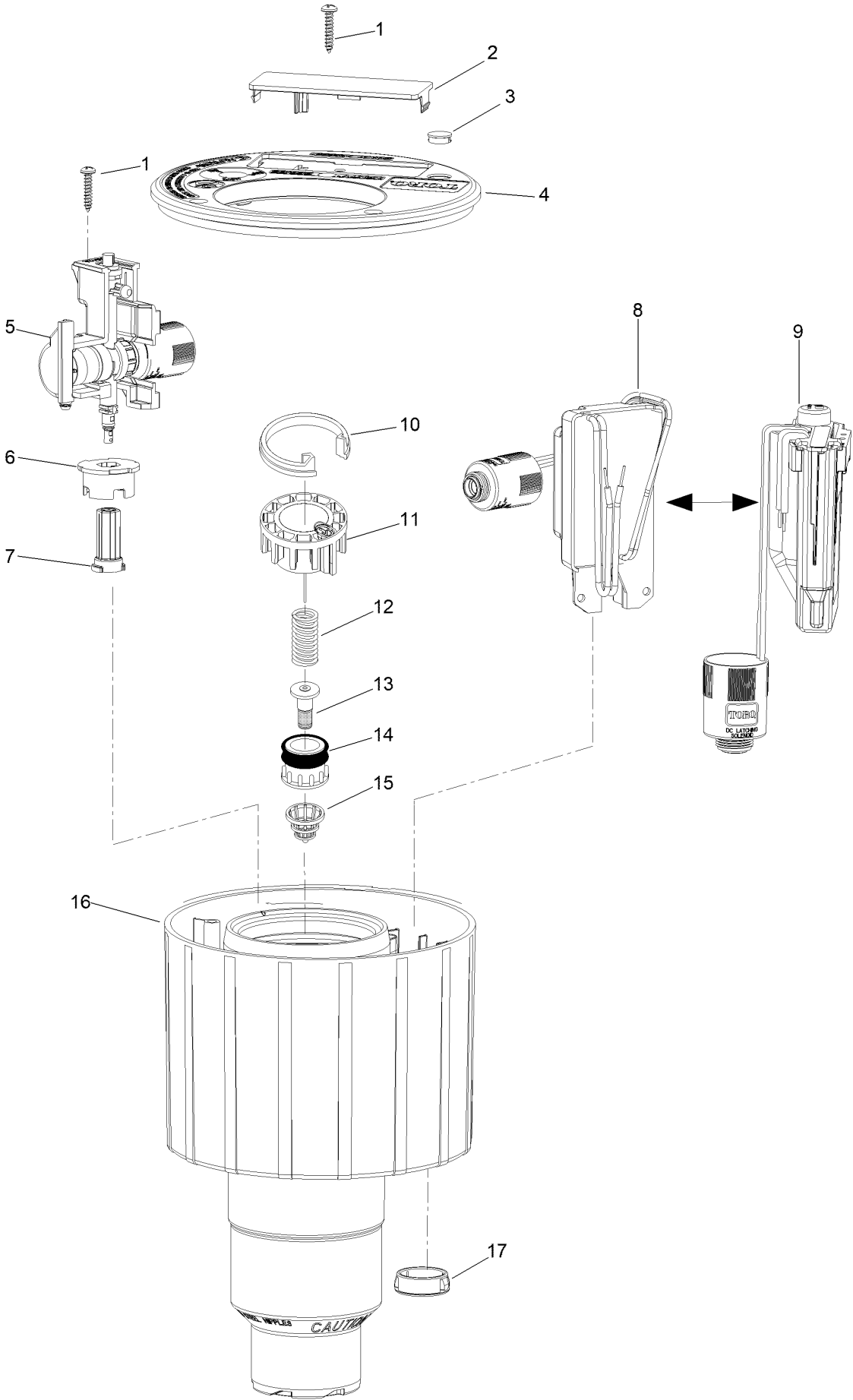
INFINITY Series 1 Inch Golf Sprinkler Body (continued)

<i>Ref.</i>	<i>Part Number</i>	<i>Qty.</i>	<i>Description</i>	<i>Ref.</i>	<i>Part Number</i>	<i>Qty.</i>	<i>Description</i>
1	363-6875	1	Screw, Tap, 10-12 X 1.00	14	89-1054	1	Piston Assy., EI & NC (Includes Item 13)
2	118-1840	1	Marker, Blank	15	102-0784	1	Rock Screen, 1
2	118-6234	1	Marker, Laser Etched, White	16	118-3031	1	Body, W/ Comp, 1 Inch Acme
2	118-6235	1	Marker, Laser Etched, Yellow	17	364-1164	1	Plug, Cable Access
3	118-5398	1	Window		118-3651	1	Wire Splice Kit (Includes 2 Gel Caps And 2 Wire Nuts)(Satellite Systems Only) ■●
4	118-5401	1	Cover W/ Window (Includes Item 3)		995-80	1	Nut Driver, 1/2 Inch (For Check Flow Assembly) ■●
4	118-1813	1	Cover W/O Window		DEC-ISP-1GB	1	Gdc Module W/O Solenoid, 1-Station, Golf Body ■●
5		1	Pilot Valve Assy. (See Pilot Valve Assembly Section) ▲		LSM-1	1	Lsm Module, Flx W/O Solenoid, 1-Station, Golf Body ■●
6	118-1815	1	Retainer, Check Valve		102-0624	1	Valve Assy., 1 Inch, Electric (Includes Items 11, 12 And 14) ■●
7	118-1827	1	Check Flow Assy., Vih Communication		118-1844	1	Valve Insertion Tool, 1 Inch ■●
8	118-0841SK	1	Gdc Module W/ Solenoid, 1-Station, Golf Body				
9	118-7149SK	1	Lsm, 1-Station, Golf Body, Inf W/ Solenoid				
10	89-4702	1	Snap Ring, Valve				
11	102-0623	1	Cylinder Assy., EI & No/Com				
12	102-6411	1	Spring, Valve, EI/No, Silver				
13	35-9646	1	Filter Assy., Metering, EI, NC				

● SERVICE ITEMS
▲ Not serviced separately

■ Not illustrated

INFINITY Series 1.5 Inch Golf Sprinkler Body



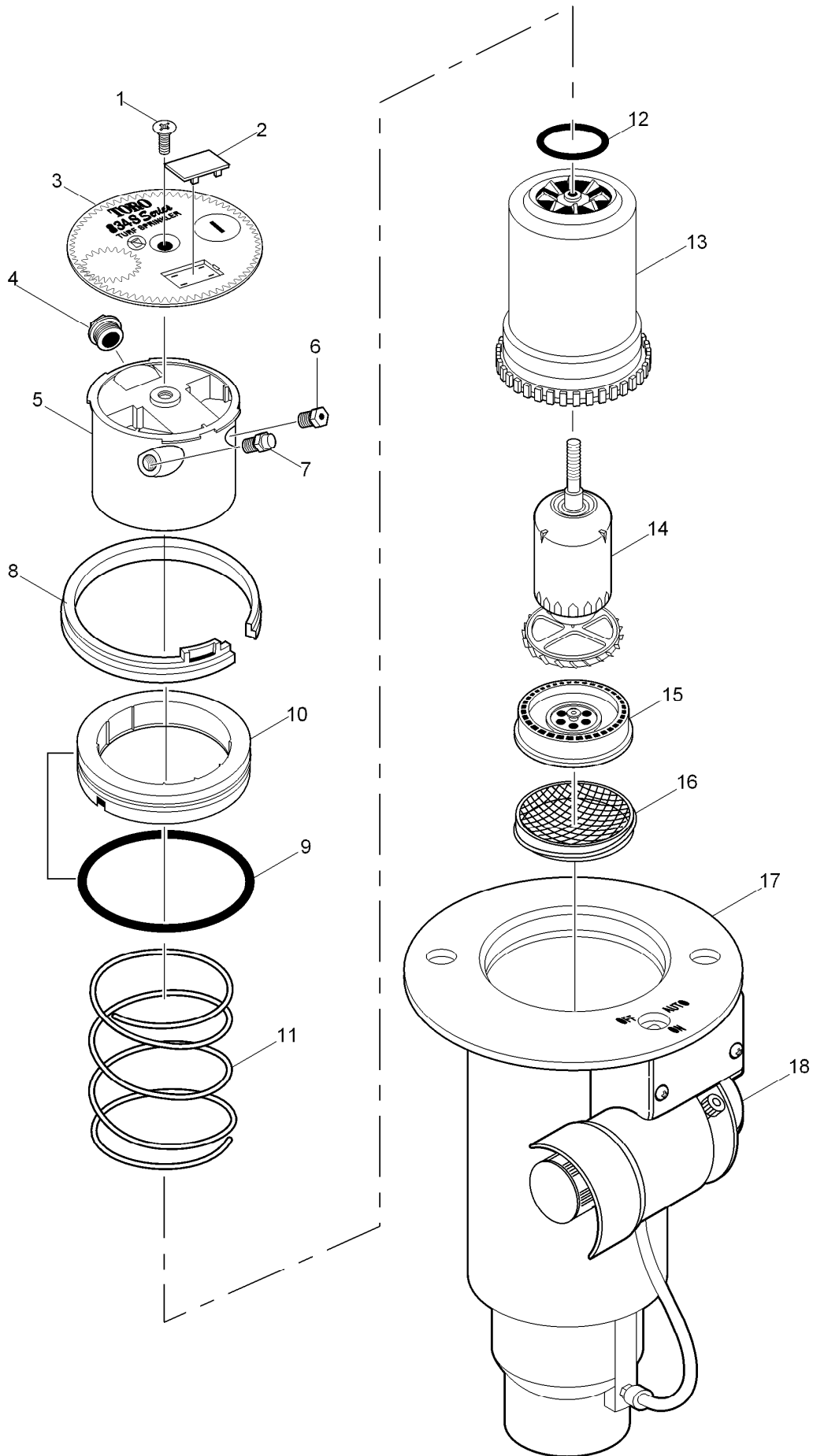
INFINITY Series 1.5 Inch Golf Sprinkler Body (continued)

<i>Ref.</i>	<i>Part Number</i>	<i>Qty.</i>	<i>Description</i>	<i>Ref.</i>	<i>Part Number</i>	<i>Qty.</i>	<i>Description</i>
1	363-6875	1	Screw, Tap, 10-12 X 1.00	13	35-9645	1	Filter Assy., Metering, EI & NC
2	118-1840	1	Marker, Blank	14	102-5101	1	Piston Assy., EI
2	118-6234	1	Marker, Laser Etched, White	15	102-6065	1	Rock Screen, 1.5 Inch
2	118-6235	1	Marker, Laser Etched, Yellow	16	118-3030	1	Body, W/ Comp, 1.5 Inch
3	118-5398	1	Window	17	364-1164	1	Plug, Cable Access
4	118-5401	1	Cover W/ Window (Includes Item 3)		118-3651	1	Wire Splice Kit (Includes 2 Gel Caps And 2 Wire Nuts)(Satellite Systems Only) ■●
4	118-1813	1	Cover W/O Window		DEC-ISP-1GB	1	Gdc Module W/O Solenoid, 1-Station, Golf Body ■●
5		1	Pilot Valve Assy. (See Pilot Valve Assembly Section.) ▲		LSM-1	1	Lsm Module, Flx W/O Solenoid, 1-Station, Golf Body ■●
6	118-1815	1	Retainer, Check Valve		995-80	1	Nut Driver, 1/2 Inch (For Check Flow Assembly) ■●
7	118-1827	1	Check Flow Assy., Vih Communication		102-4003	1	Valve Assy., 1.5 Inch, Electric (Includes Items 11, 12 And 14) ■●
8	118-0841SK	1	Gdc Module W/ Solenoid, 1-Station, Golf Body		118-1843	1	Valve Insertion Tool, 1.5 Inch ■●
9	118-7149SK	1	Lsm, 1-Station, Golf Body, Inf W/ Solenoid				
10	3-3304	1	Snap Ring, Valve				
11	102-0626	1	Cylinder Assy., EI And No/Com				
12	102-6411	1	Spring, Valve, EI/No, Silver				

● SERVICE ITEMS
▲ Not serviced separately

■ Not illustrated

834S Series Sprinkler - Pre-August 2007



834S Series Sprinkler - Pre-August 2007 (continued)

<i>Ref.</i>	<i>Part Number</i>	<i>Qty.</i>	<i>Description</i>	<i>Ref.</i>	<i>Part Number</i>	<i>Qty.</i>	<i>Description</i>
1	102-0362	1	Screw, Cap	18		1	Pilot Valve Assembly (See Pilot Valve Assembly Section) ◻ ◆
2	89-1589	1	Plug, Cap (Black)		102-2208		Nozzle, Main, #30 (Plug) ●▲
3	102-1703	1	Cap, 834S, Effluent		102-0840		Nozzle, Inner/Intermediate, Blank, Red ●▲
4	102-0725	1	Nozzle, Main, #31, Yellow		102-2041		Restrictor, Yellow, Inner Nozzle ●▲
4	102-0726	1	Nozzle, Main, #32, Blue		102-4337	1	Stream Straightener, Intermediate Nozzle ● ▲
4	102-0727	1	Nozzle, Main, #33, Brown		YARDMARKYEL	1	Yardage Marker, Yellow (10-Sheets Per Pack) ●▲
4	102-0728	1	Nozzle, Main, #34, Orange		YARDMARKLAV	1	Yardage Marker, Lavender (For Non-Potable Water Applications) ●▲
4	102-0729	1	Nozzle, Main, #55, Green		FLX34S-3134	1	Conversion Assembly, Flx34 W/ #31, 32, 33, 34 Nozzles ●▲
4	102-0730	1	Nozzle, Main, #36, Gray		FLX34S-3134E	1	Conversion Assembly, Flx34 W/ #31, 32, 33, 34 Nozzles, Effluent (Lavender) ●▲
4	102-4261	1	Nozzle, Main, #37, Black		FLX34S-3537	1	Conversion Assembly, Flx34 W/ #35, 36, 37 Nozzles ●▲
5	102-7406	1	Nozzle Base Kit, Dual Trajectory (Includes Items 1-5, 7-10 On 834S Present Models)		FLX34S-3537E	1	Conversion Assembly, Flx34 W/ #35, 36, 37 Nozzles, Effluent (Lavender) ●▲
6	102-2105	1	Nozzle Assy. Intermediate, Blue (Used W/ #1 Yellow And #2 Blue Mains)		995-08		Valve Removal Tool ■▲
6	102-2106	1	Nozzle Assy. Intermediate, Orange (Used W/ #3 Brown & #4 Orange Mains)		995-15		Selector Tool (Flag Key) ■▲
6	102-2107	1	Nozzle Assy. Intermediate, Gray (Used W/ #5 Green & #6 Gray Mains)		995-76		Valve Insertion Tool ■▲
6	102-2981	1	Nozzle Assy. Intermediate, Red (Used W/ #7 Black Main)		995-79		Nut Driver, 7/16" (For Inner And Intermediate Nozzles) ■▲
7	102-2980	1	Nozzle Assy. Inner, Red (W/ Restrictor)		995-83		Multi-Purpose Tool ■▲
8	89-1385	1	Snap Ring, Riser		995-85		Riser Removal Tool ■▲
9	363-4102	1	O-Ring, Paraffin As-568 232		995-99		Nut Driver, 5/8" (For Main Nozzle) ■▲
10	102-0134	1	Retainer, Seal		995-100		Valve Snap Ring Pliers With Screen Remover ■▲
11	102-0151	1	Spring, Return		995-102		Riser Hold-Up Tool, Universal ■▲
12	363-4167	1	O-Ring, Nozzle Base		118-0954	1	Riser Hold-Up Tool, Red ■▲
13	102-0202	1	Riser		118-1521	1	Adapter, Main Nozzle ●▲
14	102-4503	1	Drive Assembly, 12-Pack				
15	102-6929	1	Stator, Low Flow (Used With #1-4 Main Nozzles)				
15	102-1940	1	Stator Assembly, Medium Flow (Used W/ #5-7 Main Nozzles)				
16	102-1715	1	Screen, Riser				
17		1	Body Assembly (See Golf Body Assembly Section) ◻ ◆				

● SERVICE ITEMS

▲ Not illustrated

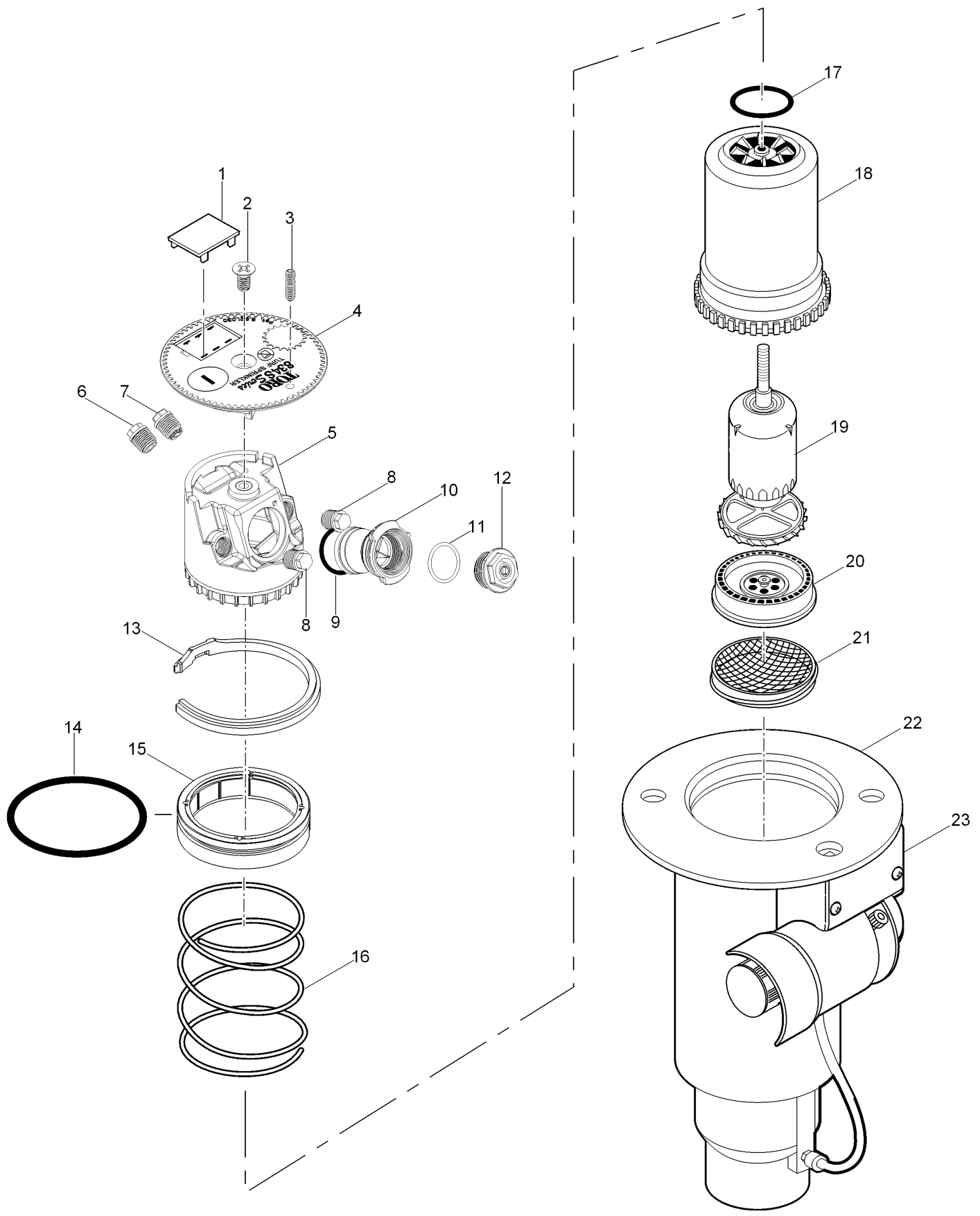
◻ See Pilot Valve Assembly Section.

■ SERVICE TOOLS

◆ Not serviced separately

○ See Golf Sprinkler Body Assembly Section.

834S Series Sprinkler - August 2007-2014



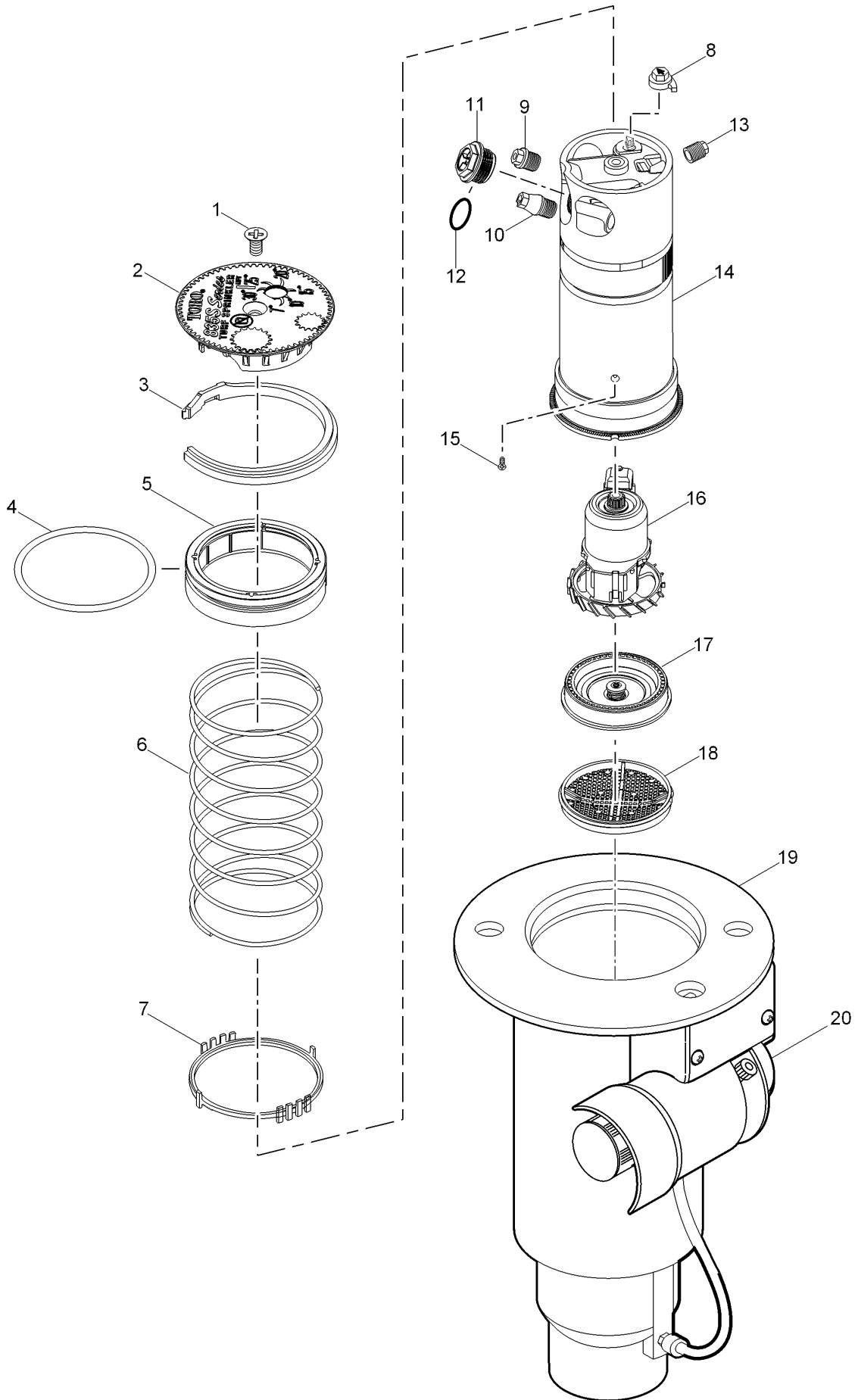
834S Series Sprinkler - August 2007-2014 (continued)

Ref.	Part Number	Qty.	Description	Ref.	Part Number	Qty.	Description
1	89-1589	1	Plug, Cap (Black)	20	102-6929	1	Stator, Low Flow, High Velocity (Used W/ #1-#4 Mains)
2	102-0362	1	Screw, Cap	20	102-1940	1	Stator Assembly, Medium Flow (Used W/ #5-#7 Mains)
3	363-4839	1	Radius Reduction Screw	21	102-1715	1	Screen, Riser
4	118-6918	1	Cap, Fix Series	22		1	Body Assembly (See Golf Sprinkler Body Assembly Section) ♦
4	102-5590	1	Cap, 834S, Effluent	23		1	Pilot Valve Assembly (See Pilot Valve Assembly Section) ♦
5	102-5837	1	Nozzle Base Assembly		102-2208		Nozzle, Main, #30 (Plug) ●▲
6	102-2925	1	Intermediate Nozzle, Blue (Used W/ #1 Main)		102-5672		Cap, Blank ●▲
6	102-2926	1	Intermediate Nozzle, Orange (Used W/ #2 Main)		102-5673		Cap, Blank, Effluent ●▲
6	102-2928	1	Intermediate Nozzle, Red (Used W/ #3 Main)		YARDMARKYEL	1	Yardage Marker, Yellow (10-Sheets Per Pack) ●▲
6	102-2929	1	Intermediate Nozzle, Beige (Used W/ #4 & #5 Mains)		YARDMARKLAV	1	Yardage Marker, Lavender (For Non-Potable Water Applications) ●▲
6	102-6944	1	Intermediate Nozzle Assy., Red W/ Stream Straightener (Used W/ #6 Main)		FLX34-3134	1	Conversion Assembly, W/ #31, 32, 33, 34 Nozzles ●▲
6	102-6945	1	Intermediate Nozzle Assy., Gray W/ Stream Straightener (Used W/ #7 Main)		FLX34-3134E	1	Conversion Assembly, W/ #31, 32, 33, 34 Nozzles, Effluent (Lavender) ●▲
6	102-6883	1	Intermediate Nozzle, Brown (Used W/ #7 Main, Front Position On The Right Of Main)		FLX34-3537	1	Conversion Assembly, W/ #35, 36, 37 Nozzles ●▲
7	102-6937	1	Nozzle Assy. Inner, Yellow Nozzle W/ Yellow Helical Restrictor		FLX34-3537E	1	Conversion Assembly, W/ #35, 36, 37 Nozzles, Effluent (Lavender) ●▲
8	102-4335	2	Plug, Nozzle		995-08		Valve Removal Tool ■▲
9	102-5978	1	O-Ring, Nozzle Housing		995-76		Valve Insertion Tool ■▲
10	102-5597	1	Nozzle Housing Assy. (Includes Item 9)		995-15		Selector Tool (Flag Key) ■▲
11	363-4978	1	O-Ring, Main Nozzle		995-99		Nut Driver, 5/8" (For Main Nozzle) ■▲
12	102-0725	1	Nozzle, Main, #31, Yellow		995-105		Nut Driver, 5/16" (For Inner & Intermediate Nozzles And Plugs) ■▲
12	102-7001	1	Nozzle, Main, #32, Blue		995-83		Multi-Purpose Tool ■▲
12	102-0727	1	Nozzle, Main, #33, Brown		995-85		Riser Removal Tool ■▲
12	102-7002	1	Nozzle, Main, #34, Orange		995-100		Valve Snap Ring Pliers With Screen Remover ■▲
12	102-6908	1	Nozzle, Main, #35, Green		995-102	1	Riser Hold-Up Tool, Universal ■▲
12	102-0730	1	Nozzle, Main, #36, Gray		118-0954	1	Riser Hold-Up Tool, Red ■▲
12	102-4261	1	Nozzle, Main, #37, Black		118-1521	1	Adapter, Main Nozzle ●▲
13	89-1385	1	Snap Ring, Riser				
14	363-4102	1	O-Ring, Paraffin As-568 232				
15	102-0134	1	Retainer, Seal				
16	102-0151	1	Spring, Return				
17	363-4167	1	O-Ring, Nozzle Base				
18	102-0202	1	Riser				
19	102-4503	1	Drive Assembly, 12-Pack				

● SERVICE ITEMS
▲ Not illustrated

■ SERVICE TOOLS
♦ Not serviced separately

835S Series Sprinklers



835S Series Sprinklers (continued)

<i>Ref.</i>	<i>Part Number</i>	<i>Qty.</i>	<i>Description</i>	<i>Ref.</i>	<i>Part Number</i>	<i>Qty.</i>	<i>Description</i>
1	102-6138	1	Screw, Cap, Black	19		1	Body Assembly (See Golf Sprinkler Body Assembly Section) ◊ ◆
2	118-6920	1	Cap, Flx35-6				
2	102-2493	1	Cap, Effluent, 835S	20		1	Pilot Valve Assembly (See Pilot Valve Assembly Section) □ ◆
3	89-1385	1	Snap Ring, Riser				
4	363-4102	1	O-Ring, Paraffin As-568 232		102-2041		Restrictor, Yellow, Inner Nozzle ● ▲
5	102-0134	1	Retainer, Seal		102-4337		Stream Straightener, Intermediate Nozzle ● ▲
6	102-0151	1	Spring, Return				
7	102-2619	1	Ratchet Ring, 1"				
8	102-5971	1	Trajectory Adjuster		102-2494		Cap, Blank, 835S ● ▲
9	102-2925	1	Intermediate Nozzle, Blue (Used W/ #1, #5 & #6 Mains)		FLX35-6-3134	1	Conversion Assy., Flx35-6 W/ #31, 32, 33, 34 Nozzles ● ▲
9	102-2926	1	Intermediate Nozzle, Orange (Used W/ #3, #4 & #7 Mains)			1	Conversion Assy., Flx35-6 W/ #31, 32, 33, 34 Nozzles, Effluent ● ▲
9	102-2928	1	Intermediate Nozzle, Red (Used W/ #2 Main)		FLX35-6-3134E		
10	102-2910	1	Nozzle Assembly, Inner		FLX35-6-3537	1	Conversion Assy., Flx35-6 W/ #35, 36, 37 Nozzles ● ▲
11	102-2208	1	Nozzle, Main, #30 (Plug)			1	Conversion Assy., Flx35-6 W/ #35, 36, 37 Nozzles, Effluent ● ▲
11	102-4587	1	Nozzle, Main, #31, Yellow				
11	102-4588	1	Nozzle, Main, #52, Blue		FLX35-6-3537E		
11	102-4589	1	Nozzle, Main, #53, Brown				
11	102-0728	1	Nozzle, Main, #34, Orange		995-08		Valve Removal Tool ■ ▲
11	102-0729	1	Nozzle, Main, #55, Green		995-15		Selector Tool (Flag Key) ■ ▲
11	102-0730	1	Nozzle, Main, #36, Gray		995-76		Valve Insertion Tool ■ ▲
11	102-4261	1	Nozzle, Main, #37, Black		995-83		Multi-Purpose Tool ■ ▲
12	363-4978	1	O-Ring, Main Nozzle		995-85		Riser Removal Tool ■ ▲
13	102-4335	1	Plug, Nozzle		995-99		Nut Driver, 5/8" (For Main Nozzle) ■ ▲
14	102-2892	1	Riser Assembly		995-105		Nut Driver, 5/16" (For Inner & Intermediate Nozzles And Plugs) ■ ▲
15	363-4236	1	Screw, Drive				
16	102-4504	1	Drive Assy., 12-Pack		995-100		Valve Snap Ring Pliers With Screen Remover ■ ▲
17	102-6929		Stator, Low Flow, High Velocity (Used W/ #0 Main)		995-102		Riser Hold-Up Tool, Universal ■ ▲
17	102-1939	1	Stator Assembly, Low Flow (Used With #1-4 Main Nozzles)		118-0954	1	Riser Hold-Up Tool, Red ■ ▲
17	118-7282	1	Stator Assembly, Medium Flow (Used With #5-7 Main Nozzles)		118-1521	1	Adapter, Main Nozzle ● ▲
18	102-1715	1	Screen, Riser				

● SERVICE ITEMS

▲ Not illustrated

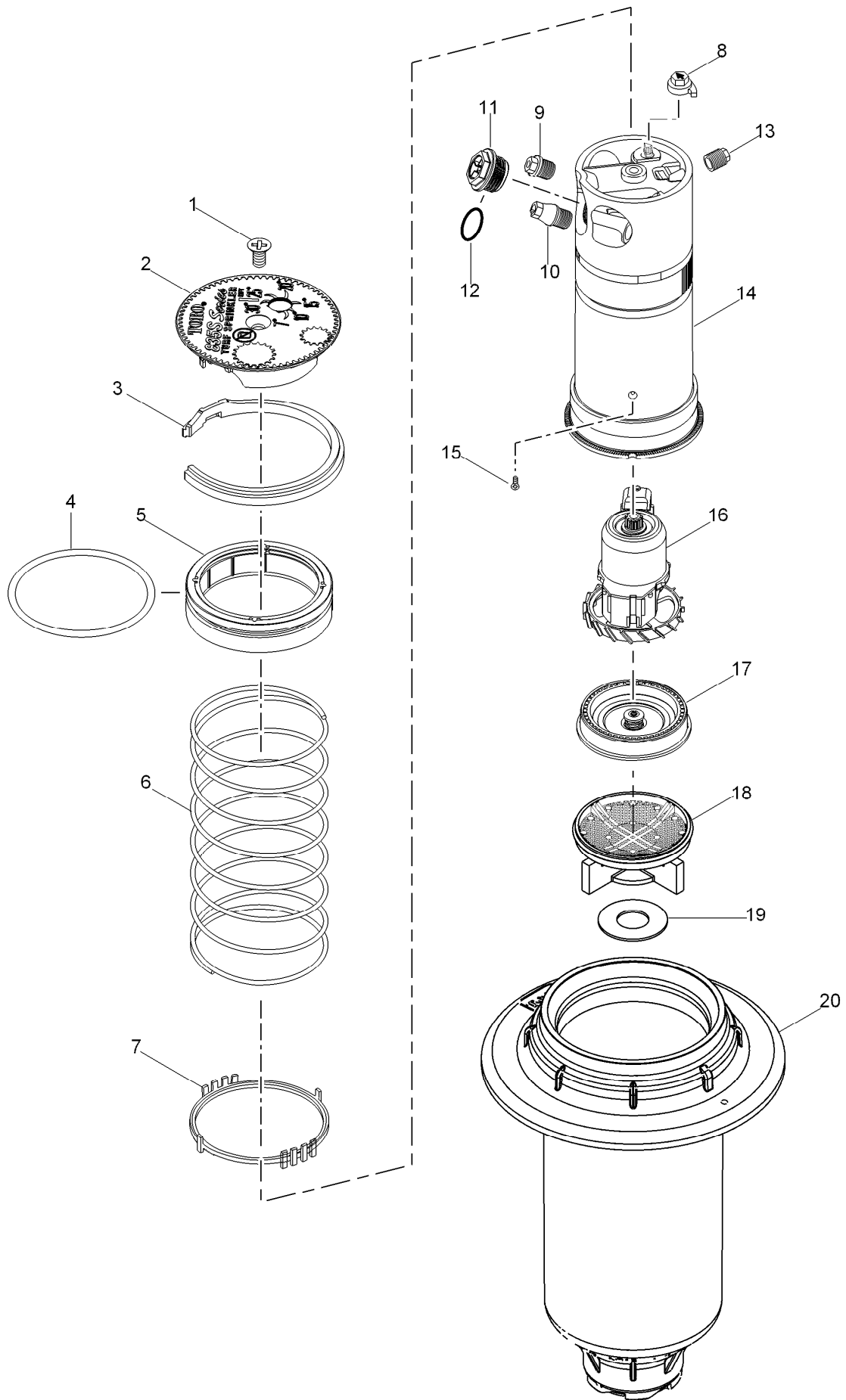
□ See Pilot Valve Assembly Section.

■ SERVICE TOOLS

◆ Not serviced separately

○ See Golf Sprinkler Body Assembly Section.

835B Series Sprinkler



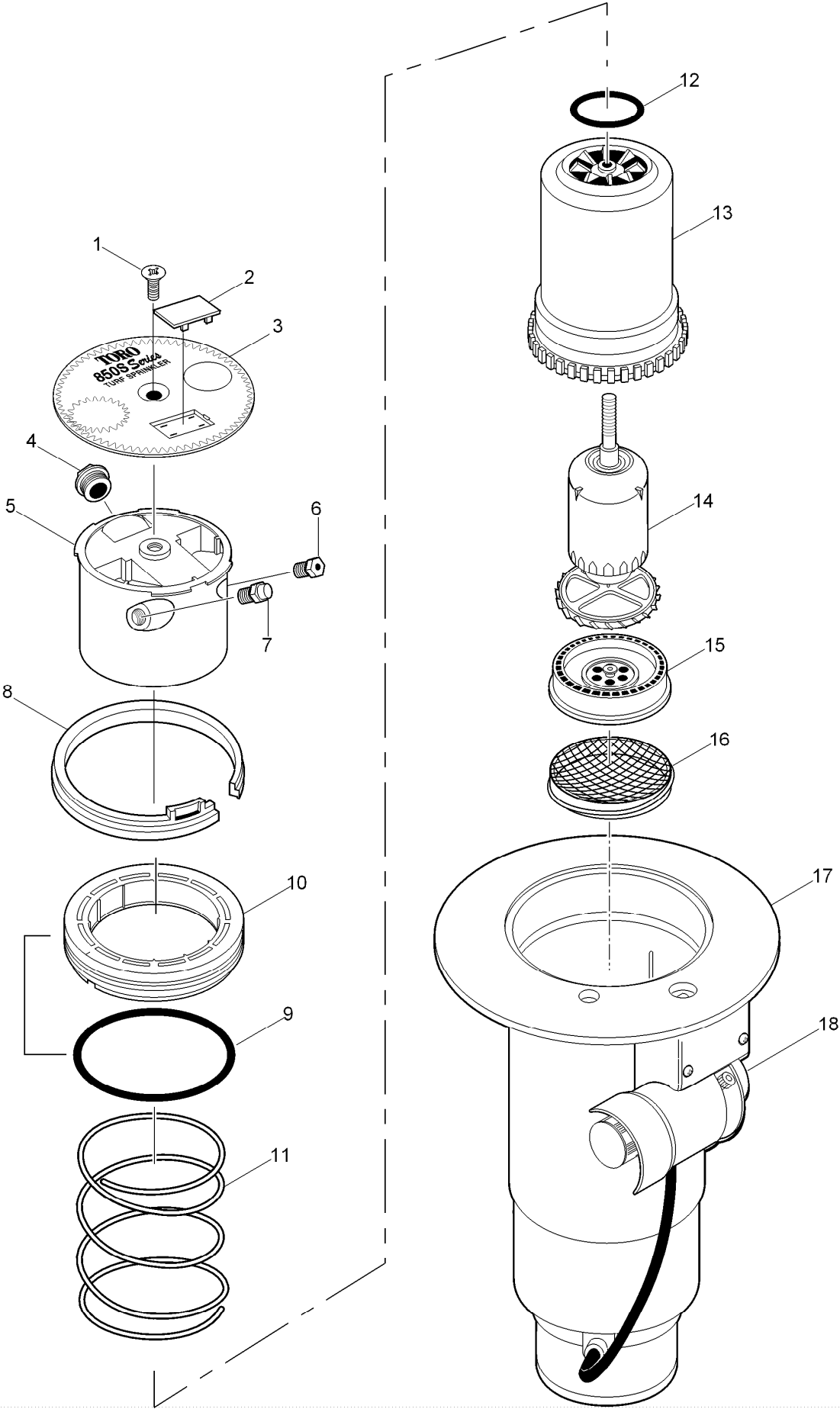
835B Series Sprinkler (continued)

<i>Ref.</i>	<i>Part Number</i>	<i>Qty.</i>	<i>Description</i>	<i>Ref.</i>	<i>Part Number</i>	<i>Qty.</i>	<i>Description</i>
1	102-6138	1	Screw, Cap, Black	16	102-4504	1	Drive Assy., 12-Pack
2	118-6920	1	Cap, Flx35-6	17	102-6929	1	Stator, Low Flow, High Velocity (Use W/ #0 Main)
2	102-2493	1	Cap, Effluent, 835S	17	102-1939	1	Stator Assembly, Low Flow (Used With #1-4 Main Nozzles)
3	89-1385	1	Snap Ring, Riser	17	118-7282	1	Stator Assembly, Medium Flow (Used W/ #5-8 Main Nozzles)
4	363-4102	1	O-Ring, Paraffin As-568 232	18	102-5152	1	Screen, Riser, W/ Check Seal Holder
5	102-0134	1	Retainer, Seal	19	102-7437	1	Seal, Check
6	102-0151	1	Spring, Return	20	102-7419	1	Body, Npt
7	102-2619	1	Ratchet Ring, 1"	20	102-7421	1	Body, Acme
8	102-5971	1	Trajectory Adjuster		102-2041		Restrictor, Yellow, Inner Nozzle ●▲
9	102-2925	1	Intermediate Nozzle, Blue (Use W/ #1, #5, #6 & #8 Mains)		102-4337	1	Stream Straightener, Intermediate Nozzle ●▲
9	102-2926	1	Intermediate Nozzle, Orange (Use W/ #3, #4 & #7 Mains)		102-2494		Cap, Blank, 835S ●▲
9	102-2928	1	Intermediate Nozzle, Red (Use W/ #2 Main)		995-83		Multi-Purpose Tool ■▲
10	102-2910	1	Nozzle Assembly, Inner		995-85		Riser Removal Tool ■▲
11	102-2208	1	Nozzle, Main, #30 (Plug)		995-99		Nut Driver, 5/8" (For Main Nozzle) ■▲
11	102-4587	1	Nozzle, Main, #31, Yellow		995-105		Nut Driver, 5/16" (For Inner & Intermediate Nozzles And Plugs) ■▲
11	102-4588	1	Nozzle, Main, #52, Blue		995-102		Riser Hold-Up Tool, Universal ■▲
11	102-4589	1	Nozzle, Main, #53, Brown		118-0954	1	Riser Hold-Up Tool, Red ■▲
11	102-0728	1	Nozzle, Main, #34, Orange		118-1521	1	Adapter, Main Nozzle ●▲
11	102-0729	1	Nozzle, Main, #55, Green				
11	102-0730	1	Nozzle, Main, #36, Gray				
11	102-4261	1	Nozzle, Main, #37, Black				
11	102-4260	1	Nozzle, Main, #58, Red				
12	363-4978	1	O-Ring, Main Nozzle				
13	102-4335	1	Plug, Nozzle				
14	102-2892	1	Riser Assembly				
15	363-4236	1	Screw, Drive				

● SERVICE ITEMS
▲ Not illustrated

■ SERVICE TOOLS

854S Series Sprinkler - Pre-2007



854S Series Sprinkler - Pre-2007 (continued)

<i>Ref.</i>	<i>Part Number</i>	<i>Qty.</i>	<i>Description</i>	<i>Ref.</i>	<i>Part Number</i>	<i>Qty.</i>	<i>Description</i>
1	102-0362	1	Screw, Cap		102-0840		Nozzle, Inner/Intermediate, Blank, Red ●▲
2	89-1589	1	Plug, Cap (Black)		102-4337		Stream Straightener, Intermediate Nozzle ●▲
3	102-0231	1	Cap, 854S				
3	102-1704	1	Cap, 854S, Effluent		102-2041		Restrictor, Yellow, Inner Nozzle ●▲
4	102-0725	1	Nozzle, Main, #31, Yellow		102-2504		Cap, 854S, W/O Graphics ●▲
4	102-0726	1	Nozzle, Main, #32, Blue		102-0950		Adapter, Conversion ●▲
4	102-0727	1	Nozzle, Main, #33, Brown	YARDMARKYEL	1		Yardage Marker, Yellow (10-Sheets Per Pack) ●▲
4	102-0728	1	Nozzle, Main, #34, Orange	YARDMARKLAV	1		Yardage Marker, Lavender (For Non-Potable Water Applications) ●▲
4	102-0729	1	Nozzle, Main, #55, Green		FLX54-5154	1	Conversion, Full Circle, W/ #51, 52, 53, 54 Nozzles ●▲
4	102-0730	1	Nozzle, Main, #36, Gray		FLX54-5154E	1	Conversion, Full Circle, W/ #51, 52, 53, 54 Nozzles And Effluent Cap ●▲
4	102-4261	1	Nozzle, Main, #37, Black		FLX-54-5558	1	Conversion, Full Circle, W/ #55, 56, 57, 58 Nozzles ●▲
4	102-4260	1	Nozzle, Main, #58, Red		FLX54-5558E	1	Conversion, Full Circle, W/ #55, 56, 57, 58 Nozzles And Effluent Cap ●▲
4	102-4259	1	Nozzle, Main, #59, Beige		FLX54-59	1	Conversion, Full Circle, W/ #59 Nozzle ●▲
5	102-7407	1	Nozzle Base Kit, Dual Trajectory (Includes Items 1-5 And 7-10 Found On 854S Present Model)		FLX54-59E	1	Conversion, Full Circle, W/ #59 Nozzle And Effluent Cap ●▲
6	102-2105		Nozzle Assy. Intermediate, Blue (Used W/ #1 Yellow And #2 Blue Mains)		995-09		Valve Removal Tool ■▲
6	102-2106		Nozzle Assy. Intermediate, Orange (Used W/ #3 Brown & #4 Orange Mains)		995-101		Valve Insertion Tool ■▲
6	102-2107		Nozzle Assy. Intermediate, Gray (Used W/ #5 Green & #6 Gray Mains)		995-15		Selector Tool (Flag Key) ■▲
6	102-2981	1	Nozzle Assy. Intermediate, Red (Used W/ #7-#9 Mains)		995-79		Nut Driver, 7/16" (For Inner And Intermediate Nozzles) ■▲
7	102-2980	1	Nozzle Assy. Inner, Red (W/ Restrictor)		995-99		Nut Driver, 5/8" (For Main Nozzle) ■▲
8	35-6119	1	Snap Ring, Riser		995-83		Multi-Purpose Tool ■▲
9	363-4103	1	O-Ring, Body		995-85		Riser Removal Tool ■▲
10	102-0136	1	Retainer, Seal, 1.5"		995-100		Valve Snap Ring Pliers With Screen Remover ■▲
11	102-0151	1	Spring, Return		995-102		Riser Hold-Up Tool, Universal ■▲
12	363-4167	1	O-Ring, Nozzle Base		118-0954	1	Riser Hold-Up Tool, Red ■▲
13	102-0203	1	Riser Assembly		118-1521	1	Adapter, Main Nozzle ●▲
14	102-4503	1	Drive Assembly, 12-Pack				
15	102-6929	1	Stator, Low Flow (Used With #1-4 Main Nozzles)				
15	102-1940	1	Stator Assembly, Medium Flow (Used With #5-8 Main Nozzles)				
15	118-7282	1	Stator Assembly, High Flow (Used With #9 Main Nozzle)				
16	102-1715	1	Screen, Riser				
17		1	Body Assembly (See Golf Sprinkler Body Assembly Section) ○◆				
18		1	Pilot Valve Assembly (See Pilot Valve Assembly Section) □◆				

● SERVICE ITEMS

▲ Not illustrated

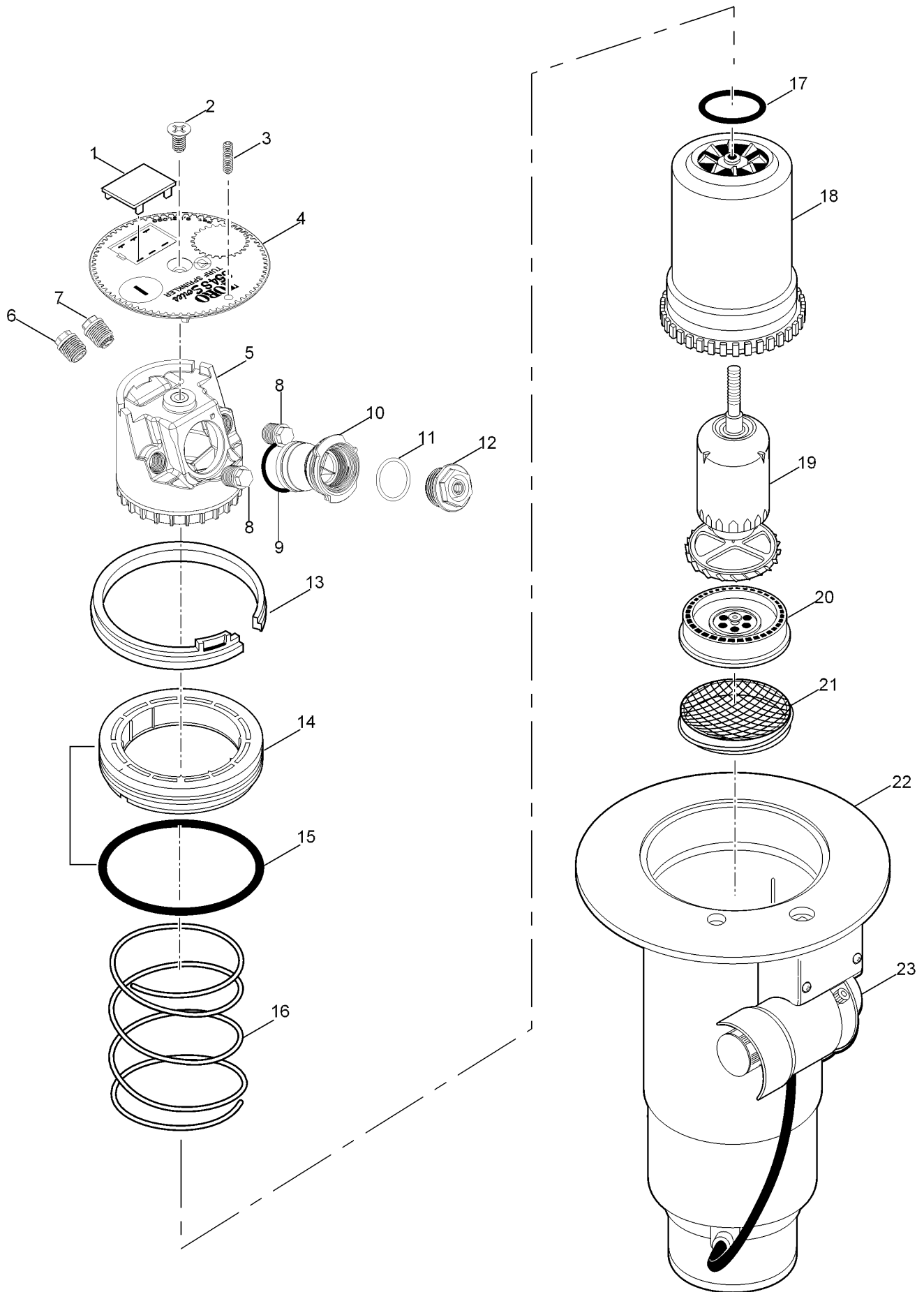
□ See Pilot Valve Assembly Section.

■ SERVICE TOOLS

◆ Not serviced separately

○ See Golf Sprinkler Body Assembly Section.

854S Series Sprinkler - August 2007 - 2014



854S Series Sprinkler - August 2007 - 2014 (continued)

Ref.	Part Number	Qty.	Description	Ref.	Part Number	Qty.	Description
1	89-1589	1	Plug, Cap (Black)	20	102-1940	1	Stator Assembly, Medium Flow (Used With #5-8 Main Nozzles)
2	102-0362	1	Screw, Cap				
3	363-4839	1	Radius Reduction Screw	20	118-7282	1	Stator Assembly, High Flow (Used With #9 Main Nozzle)
4	118-6922	1	Cap, Flx 54/55	21	102-1715	1	Screen, Riser
4	102-5591	1	Cap, 854S, Effluent	22		1	Body Assembly (See Golf Sprinkler Body Assembly Section) ◊ ◆
5	102-5837	1	Nozzle Base Assembly				
6	102-2925	1	Intermediate Nozzle, Blue (Used W/ #1 Main)	23		1	Pilot Valve Assembly (See Pilot Valve Assembly Section) ◻ ◆
6	102-2926	1	Intermediate Nozzle, Orange (Used W/ #2 Main)		102-5675		Cap, Blank, Effluent ●▲
6	102-2928	1	Intermediate Nozzle, Red (Used W/ #3 Main)		102-0950		Adapter, Conversion ●▲
6	102-2929	1	Intermediate Nozzle, Beige (Used W/ #4 & #5 Mains)		102-5011		Adapter, Conversion, 690 ▶▲
6	102-6944	1	Intermediate Nozzle Assy., Red W/ Stream Straightener (Used W/ #6 Main)		YARDMARKYEL	1	Yardage Marker, Yellow (10-Sheets Per Pack) ●▲
6	102-6945	1	Intermediate Nozzle Assy., Gray W/ Stream Straightener (Used W/ #7-#9 Mains)		YARDMARKLAV	1	Yardage Marker, Lavender (For Non-Potable Water Applications) ●▲
6	102-6883	1	Intermediate Nozzle, Brown (Used W/ #7 & #8 Mains, Front Position, Right Of Main)		FLX54-5154	1	Conversion, Full Circle, W/ #51, 52, 53, 54 Nozzles ●▲
7	102-6937	1	Nozzle Assy. Inner, Yellow Nozzle W/ Yellow Helical Restrictor		FLX54-5154E	1	Conversion, Full Circle, W/ #51, 52, 53, 54 Nozzles And Effluent Cap ●▲
8	102-4335	2	Plug, Nozzle		FLX54-5558	1	Conversion Assembly, 854S W/ #55, 56, 57, 58 Nozzles ●▲
9	102-5978	1	O-Ring, Nozzle Housing		FLX54-5558E	1	Conversion, Full Circle, W/ #55, 56, 57, 58 Nozzles And Effluent Cap ●▲
10	102-5597	1	Nozzle Housing Assy. (Includes Item 9)		FLX54-59	1	Conversion, Full Circle, W/ #59 Nozzle ●▲
11	363-4978	1	O-Ring, Main Nozzle		FLX54-59E	1	Conversion, Full Circle, W/ #59 Nozzle And Effluent Cap ●▲
12	102-0725	1	Nozzle, Main, #31, Yellow		995-09		Valve Removal Tool ■▲
12	102-7001	1	Nozzle, Main, #32, Blue		995-101		Valve Insertion Tool ■▲
12	102-0727	1	Nozzle, Main, #33, Brown		995-15		Selector Tool (Flag Key) ■▲
12	102-7002	1	Nozzle, Main, #34, Orange		995-99		Nut Driver, 5/8" (For Main Nozzle) ■▲
12	102-6908	1	Nozzle, Main, #35, Green		995-105		Nut Driver, 5/16" (For Inner & Intermediate Nozzles And Plugs) ■▲
12	102-0730	1	Nozzle, Main, #36, Gray		995-83		Multi-Purpose Tool ■▲
12	102-4261	1	Nozzle, Main, #37, Black		995-85		Riser Removal Tool ■▲
12	102-4260	1	Nozzle, Main, #58, Red		995-100		Valve Snap Ring Pliers With Screen Remover ■▲
12	102-4259	1	Nozzle, Main, #59, Beige		995-102		Riser Hold-Up Tool, Universal ■▲
13	35-6119	1	Snap Ring, Riser		118-0954	1	Riser Hold-Up Tool, Red ■▲
14	102-0136	1	Retainer, Seal, 1.5"				
15	363-4103	1	O-Ring, Body				
16	102-0151	1	Spring, Return				
17	363-4167	1	O-Ring, Nozzle Base				
18	102-0203	1	Riser Assembly				
19	102-4503	1	Drive Assembly, 12-Pack				
20	102-6929	1	Stator, Low Flow, High Velocity (Used With #1-4 Main Nozzles)				

● SERVICE ITEMS

▲ Not illustrated

◻ See Pilot Valve Assembly Section.

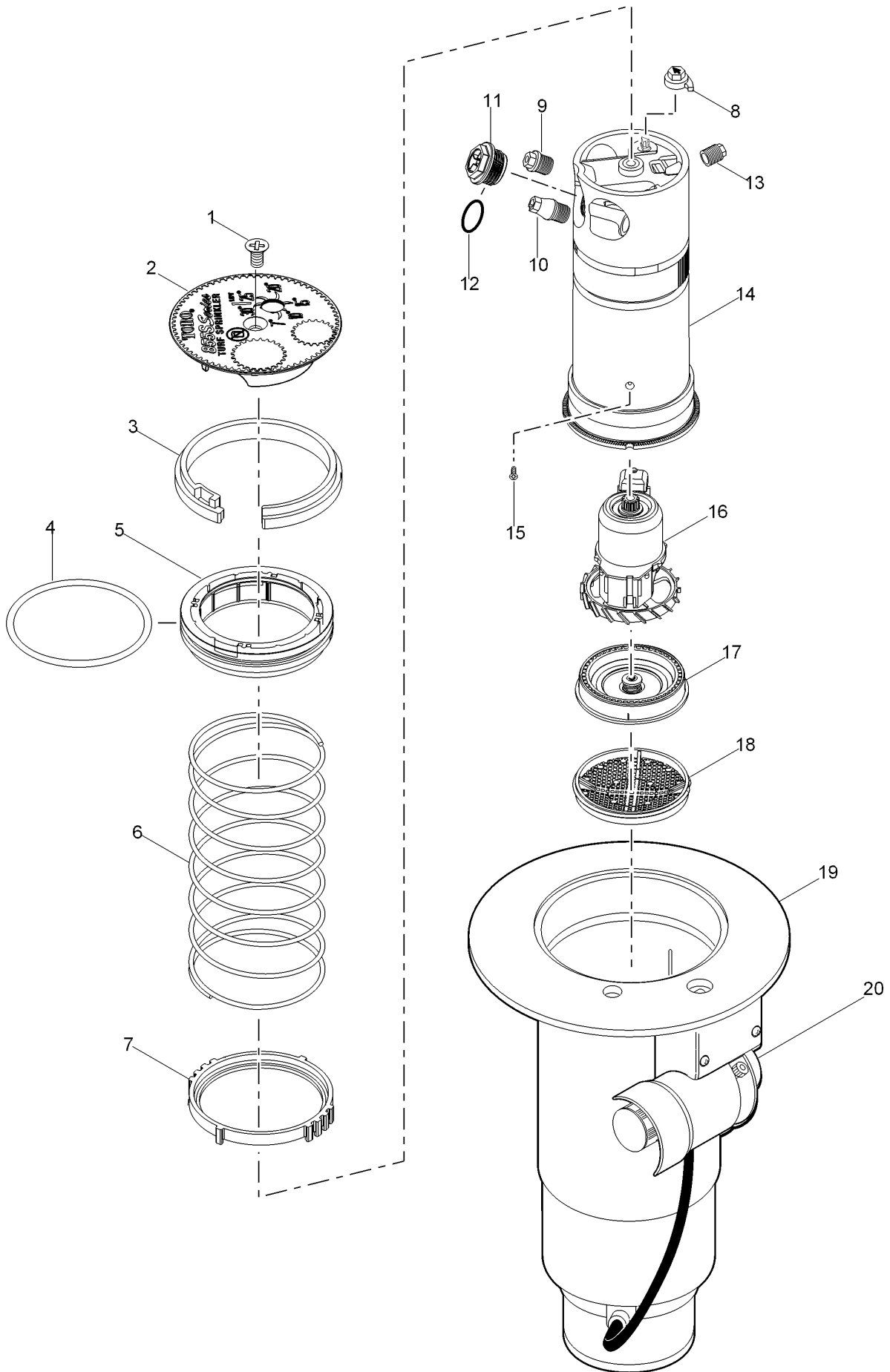
▶ Order Through Finished Goods Distribution System - Minneapolis

■ SERVICE TOOLS

◆ Not serviced separately

○ See Golf Sprinkler Body Assembly Section.

855S Series Sprinkler



855S Series Sprinkler (continued)

<i>Ref.</i>	<i>Part Number</i>	<i>Qty.</i>	<i>Description</i>	<i>Ref.</i>	<i>Part Number</i>	<i>Qty.</i>	<i>Description</i>
1	102-6138	1	Screw, Cap, Black	20		1	Pilot Valve Assembly (See Pilot Valve Assembly Section) ◻ ◆
2	118-6924	1	Cap, Flx55-6		102-4337		Stream Straightener, Intermediate Nozzle ●
2	118-6925	1	Cap, Flx55-6, Effluent				▲
3	35-6119	1	Snap Ring, Riser		102-2041		Restrictor, Yellow, Inner Nozzle ●▲
4	363-4103	1	O-Ring, Body		102-2497		Cap, Blank ●▲
5	102-0136	1	Retainer, Seal, 1.5"		102-2498		Cap, Blank, Effluent ●▲
6	102-0151	1	Spring, Return		102-0950		Adapter, Conversion ●▲
7	102-4967	1	Ratchet Ring, 1.5"		102-5011	1	Adapter, Conversion, 690 ▶▲
8	102-5971	1	Trajectory Adjuster		FLX55-6-5154	1	Conversion Assy., Flx55-6 W/ #51, 52, 53, 54 Nozzles ●▲
9	102-2925	1	Intermediate Nozzle, Blue (Use W/ #1, #5, #6 #8 & #9 Mains)		FLX55-6-5154E	1	Conversion Assy., Flx55-6 W/ #51, 52, 53, 54 Nozzles, Effluent ●▲
9	102-2926	1	Intermediate Nozzle, Orange (Use W/ #3, #4 & #7 Mains)		FLX55-6-5558	1	Conversion Assy., Flx55-6 W/ #55, 56, 57, 58 Nozzles ●▲
9	102-2928	1	Intermediate Nozzle, Red (Use W/ #2 Main)		FLX55-6-5558E	1	Conversion Assy., Flx55-6 W/ #55, 56, 57, 58 Nozzles, Effluent ●▲
10	102-2910	1	Nozzle Assembly, Inner		FLX55-6-59	1	Conversion Assy., Flx55-6 W/ #59 Nozzle ●▲
11	102-4587	1	Nozzle, Main, #31, Yellow		FLX55-6-59E	1	Conversion Assy., Flx55-6 W/ #59 Nozzle, Effluent ●▲
11	102-4588	1	Nozzle, Main, #52, Blue		995-09		Valve Removal Tool ■▲
11	102-4589	1	Nozzle, Main, #53, Brown		995-101		Valve Insertion Tool ■▲
11	102-0728	1	Nozzle, Main, #34, Orange		995-15		Selector Tool (Flag Key) ■▲
11	102-0729	1	Nozzle, Main, #55, Green		995-99		Nut Driver, 5/8" (For Main Nozzle) ■▲
11	102-0730	1	Nozzle, Main, #36, Gray		995-105		Nut Driver, 5/16" (For Inner & Intermediate Nozzles And Plugs) ■▲
11	102-4261	1	Nozzle, Main, #37, Black		995-83		Multi-Purpose Tool ■▲
11	102-4260	1	Nozzle, Main, #58, Red		995-85		Riser Removal Tool ■▲
11	102-4259	1	Nozzle, Main, #59, Beige		995-100		Valve Snap Ring Pliers With Screen Remover ■▲
12	363-4978	1	O-Ring, Main Nozzle		995-102		Riser Hold-Up Tool, Universal ■▲
13	102-4335	1	Plug, Nozzle		118-0954	1	Riser Hold-Up Tool, Red ■▲
14	102-2892	1	Riser Assembly		118-1521	1	Adapter, Main Nozzle ●▲
15	363-4236	1	Screw, Drive				
16	102-4504	1	Drive Assy., 12-Pack				
17	102-1939	1	Stator Assembly, Low Flow (Used With #1-4 Main Nozzles)				
17	118-7282	1	Stator Assembly, Medium Flow (Used With #5-7 Main Nozzles)				
17	102-1941	1	Stator Assembly, High-Flow (Use With #9 Main Nozzle)				
18	102-1715	1	Screen, Riser				
19		1	Body Assembly (See Golf Sprinkler Body Assembly Section) ◻ ◆				

● SERVICE ITEMS

▲ Not illustrated

◻ See Pilot Valve Assembly Section.

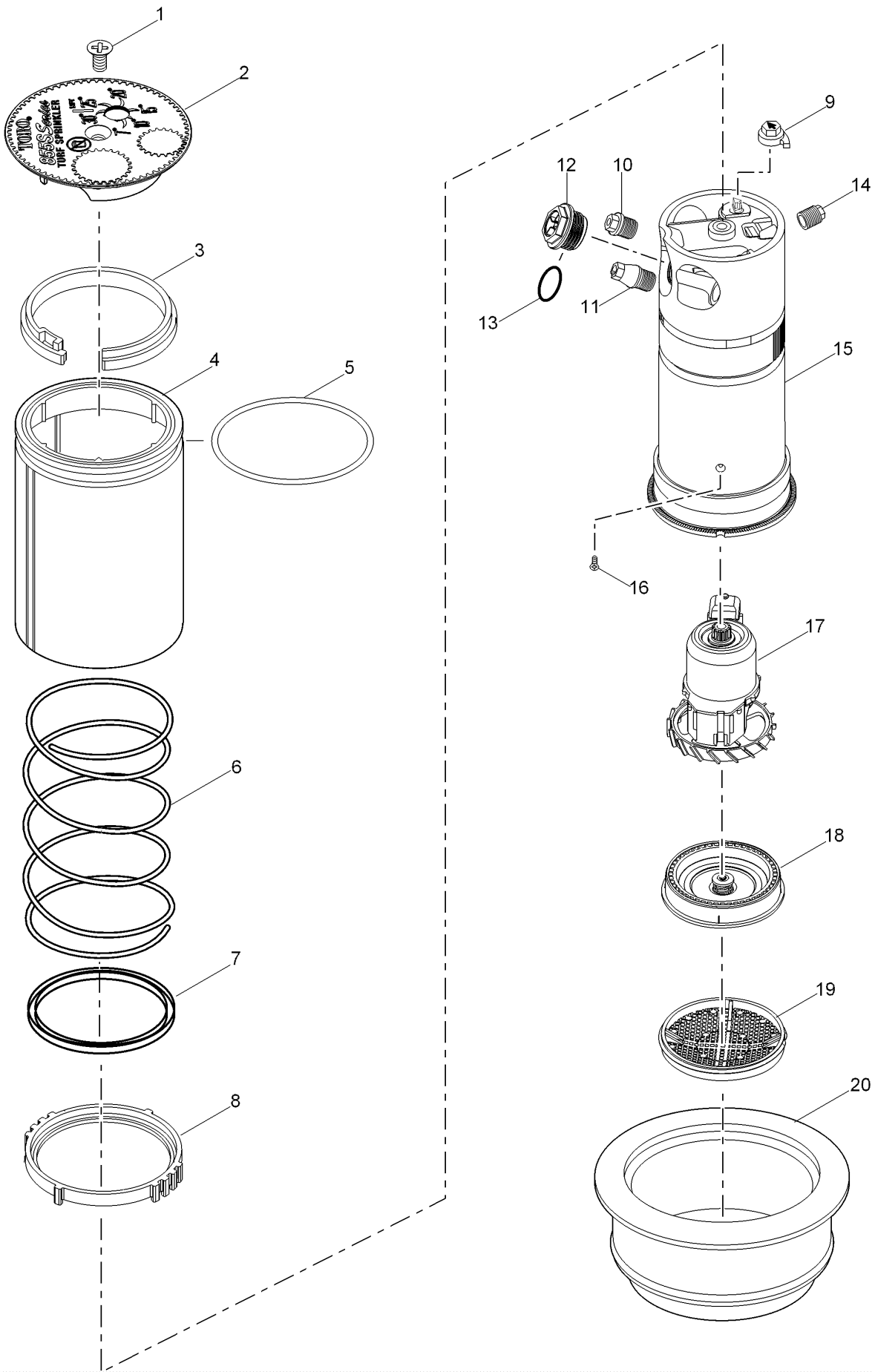
▶ Order Through Finished Goods Distribution System - Minneapolis

■ SERVICE TOOLS

◆ Not serviced separately

○ See Golf Sprinkler Body Assembly Section.

855S Series Ribless Body, Conversion Assembly



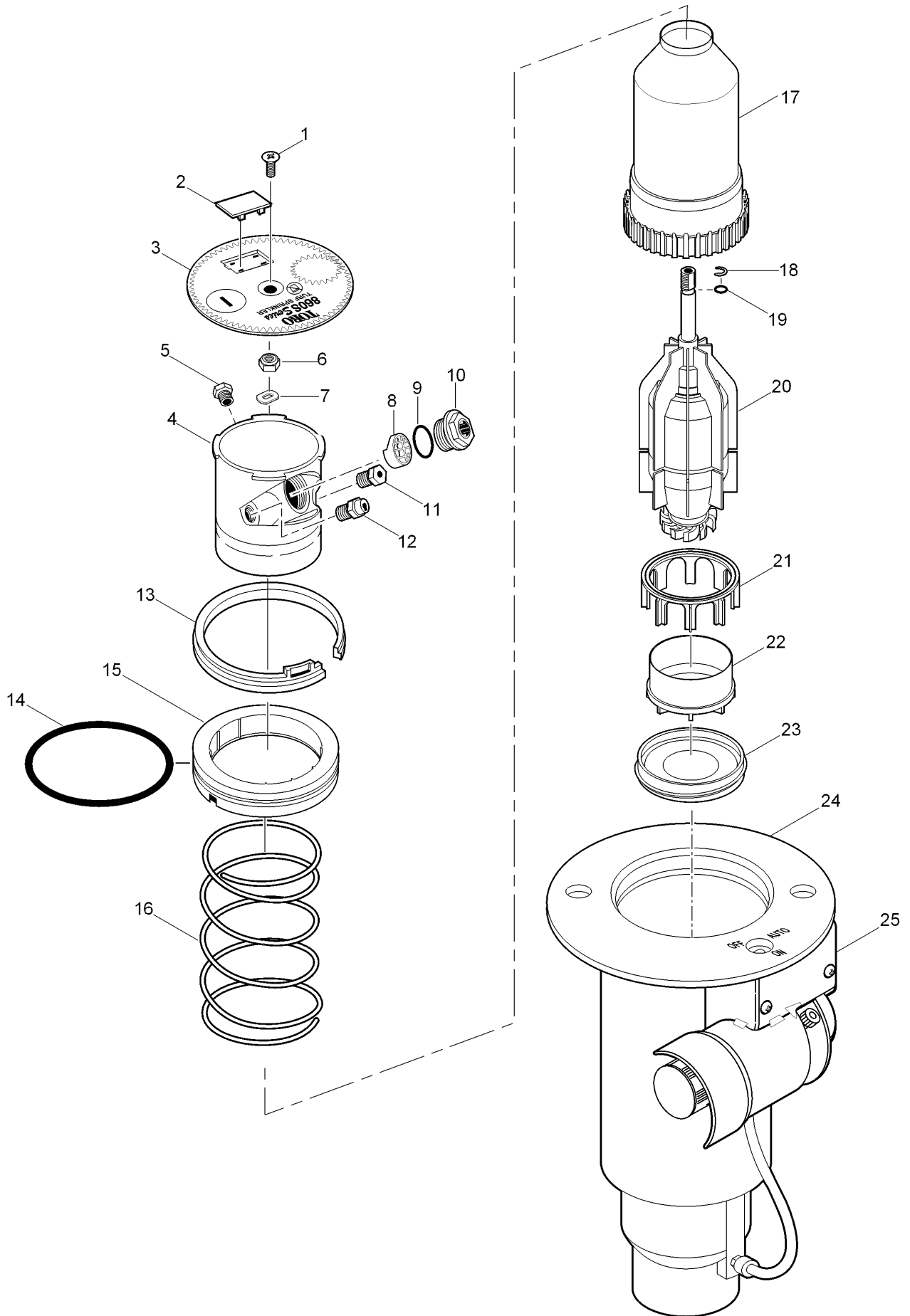
855S Series Ribless Body, Conversion Assembly (continued)

Ref.	Part Number	Qty.	Description	Ref.	Part Number	Qty.	Description
1	102-6138	1	Screw, Cap, Black	18	102-1939	1	Stator Assembly, Low Flow (Used With #1-4 Main Nozzles)
2	118-6924	1	Cap, Flx55-6				
2	118-6925	1	Cap, Flx55-6, Effluent	18	118-7282	1	Stator Assembly, Medium Flow (Used With #5-7 Main Nozzles)
3	35-6119	1	Snap Ring, Riser				
4	89-7568	1	Sleeve, Retainer, O-Ring, Conversion	18	102-1941	1	Stator Assembly, High Flow (Use With #9 Main Nozzle)
5	363-4103	1	O-Ring, Body	19	102-1715	1	Screen, Riser
6	102-0151	1	Spring, Return	20	102-0950	1	Adapter, Conversion
7	89-7569	1	Seal, Riser		102-4337		Stream Straightener, Intermediate Nozzle ●▲
8	102-2619	1	Ratchet Ring, 1"				
9	102-5971	1	Trajectory Adjuster				
10	102-2925	1	Intermediate Nozzle, Blue (Use W/ #1, #5, #6, #8 & #9 Mains)		102-2041		Restrictor, Yellow, Inner Nozzle ●▲
10	102-2926	1	Intermediate Nozzle, Orange (Use W/ #3, #4 & #7 Mains)		102-2497		Cap, Blank ●▲
10	102-2928	1	Intermediate Nozzle, Red (Use W/ #2 Main)		102-2498		Cap, Blank, Effluent ●▲
11	102-2910	1	Nozzle Assembly, Inner		995-09		Valve Removal Tool ■▲
12	102-4587	1	Nozzle, Main, #31, Yellow		995-101		Valve Insertion Tool ■▲
12	102-4588	1	Nozzle, Main, #52, Blue		995-15		Selector Tool (Flag Key) ■▲
12	102-4589	1	Nozzle, Main, #53, Brown		995-99		Nut Driver, 5/8" (For Main Nozzle) ■▲
12	102-0728	1	Nozzle, Main, #34, Orange				
12	102-0729	1	Nozzle, Main, #55, Green		995-105		Nut Driver, 5/16" (For Inner & Intermediate Nozzles And Plugs) ■▲
12	102-0730	1	Nozzle, Main, #36, Gray		995-83		Multi-Purpose Tool ■▲
12	102-4261	1	Nozzle, Main, #37, Black		995-85		Riser Removal Tool ■▲
12	102-4260	1	Nozzle, Main, #58, Red		995-100		Valve Snap Ring Pliers With Screen Remover ■▲
12	102-4259	1	Nozzle, Main, #59, Beige				
13	363-4978	1	O-Ring, Main Nozzle		995-102		Riser Hold-Up Tool, Universal ■▲
14	102-4335	1	Plug, Nozzle				
15	102-2892	1	Riser Assembly		118-0954	1	Riser Hold-Up Tool, Red ■▲
16	363-4236	1	Screw, Drive		118-1521	1	Adapter, Main Nozzle ●▲
17	102-4504	1	Drive Assy., 12-Pack				

● SERVICE ITEMS
▲ Not illustrated

■ SERVICE TOOLS

860S Series Sprinkler



860S Series Sprinkler (continued)

Ref.	Part Number	Qty.	Description	Ref.	Part Number	Qty.	Description
1	102-1950	1	Screw, Cap, Stainless Steel, Full-Circle Models	21	89-1958	1	Stator Support
1	363-4125	1	Screw, Cap, Black, Part-Circle Models	22	89-1957	1	Stator, Variable
2	89-1589	1	Plug, Cap (Black)	23	89-1588	1	Screen
3	102-1947	1	Cap, 860S	24		1	Body Assembly (See Golf Sprinkler Body Assembly Section) ◊ ◆
3	102-2082	1	Cap, 860S, Effluent	25		1	Pilot Valve Assembly (See Pilot Valve Assembly Section) ◻ ◆
4	102-2153	1	Nozzle Base Assembly		102-2208		Nozzle, Main, #30 (Plug) ●▲
5	102-0840	1	Nozzle, Inner/Intermediate, Blank, Red		102-0840		Nozzle, Inner/Intermediate, Blank, Red ●▲
6	363-4039	1	Nut, 5/16-24, W/ Nylon Lock		102-2135		Nozzle, Inner, Back, High Flow, White ●▲
7	102-1951	1	Alignment Washer		102-2136		Nozzle, Inner, Back, Low Flow, Yellow ●▲
8	102-1949	1	Stream Straightener		363-4220		Screw, Radius Adjust ●▲
9	363-4978	1	O-Ring, Main Nozzle		YARDMARKYEL 1		Yardage Marker, Yellow (10-Sheets Per Pack) ●▲
10	102-0725	1	Nozzle, Main, #31, Yellow		YARDMARKLAV 1		Yardage Marker, Lavender (For Non-Potable Water Applications) ●▲
10	102-0726	1	Nozzle, Main, #32, Blue		995-08		Valve Removal Tool ■▲
10	102-0727	1	Nozzle, Main, #33, Brown		995-15		Selector Tool (Flag Key) ■▲
10	102-0728	1	Nozzle, Main, #34, Orange		995-76		Valve Insertion Tool ■▲
10	102-0729	1	Nozzle, Main, #55, Green		995-79		Nut Driver, 7/16" (For Inner And Intermediate Nozzles) ■▲
10	102-0730	1	Nozzle, Main, #36, Gray		995-80		Nut Driver, 1/2" ■▲
10	102-4261	1	Nozzle, Main, #37, Black		995-82		Adjustment Tool, 3/32" (T-Handle Hex Wrench) ■▲
11	102-0608	1	Nozzle, Intermediate, Orange (Use W/ #1 Main)		995-83		Multi-Purpose Tool ■▲
11	102-0609	1	Nozzle, Intermediate, Gray (Use W/ #2 Main)		995-85		Riser Removal Tool ■▲
11	102-0610	1	Nozzle, Intermediate, Red (Use W/ #3 & #4 Mains)		995-99		Nut Driver, 5/8" (For Main Nozzle) ■▲
11	102-0823	1	Nozzle, Intermediate, Beige (Use W/ #5 & #6 Mains)		995-100		Valve Snap Ring Pliers With Screen Remover ■▲
11	102-2005	1	Nozzle, Intermediate, Red (Use W/ #7 Main)		995-102		Riser Hold-Up Tool, Universal ■▲
12	102-2980	1	Nozzle Assy. Inner, Red (W/ Restrictor)		118-0954	1	Riser Hold-Up Tool, Red ■▲
13	89-1385	1	Snap Ring, Riser				
14	363-4102	1	O-Ring, Paraffin As-568 232				
15	102-0134	1	Retainer, Seal				
16	102-0151	1	Spring, Return				
17	89-6360	1	Riser Assembly				
18		1	Support Washer ◆				
19	360-0497	1	O-Ring				
20		1	Drive Assembly ◆				

● SERVICE ITEMS

▲ Not illustrated

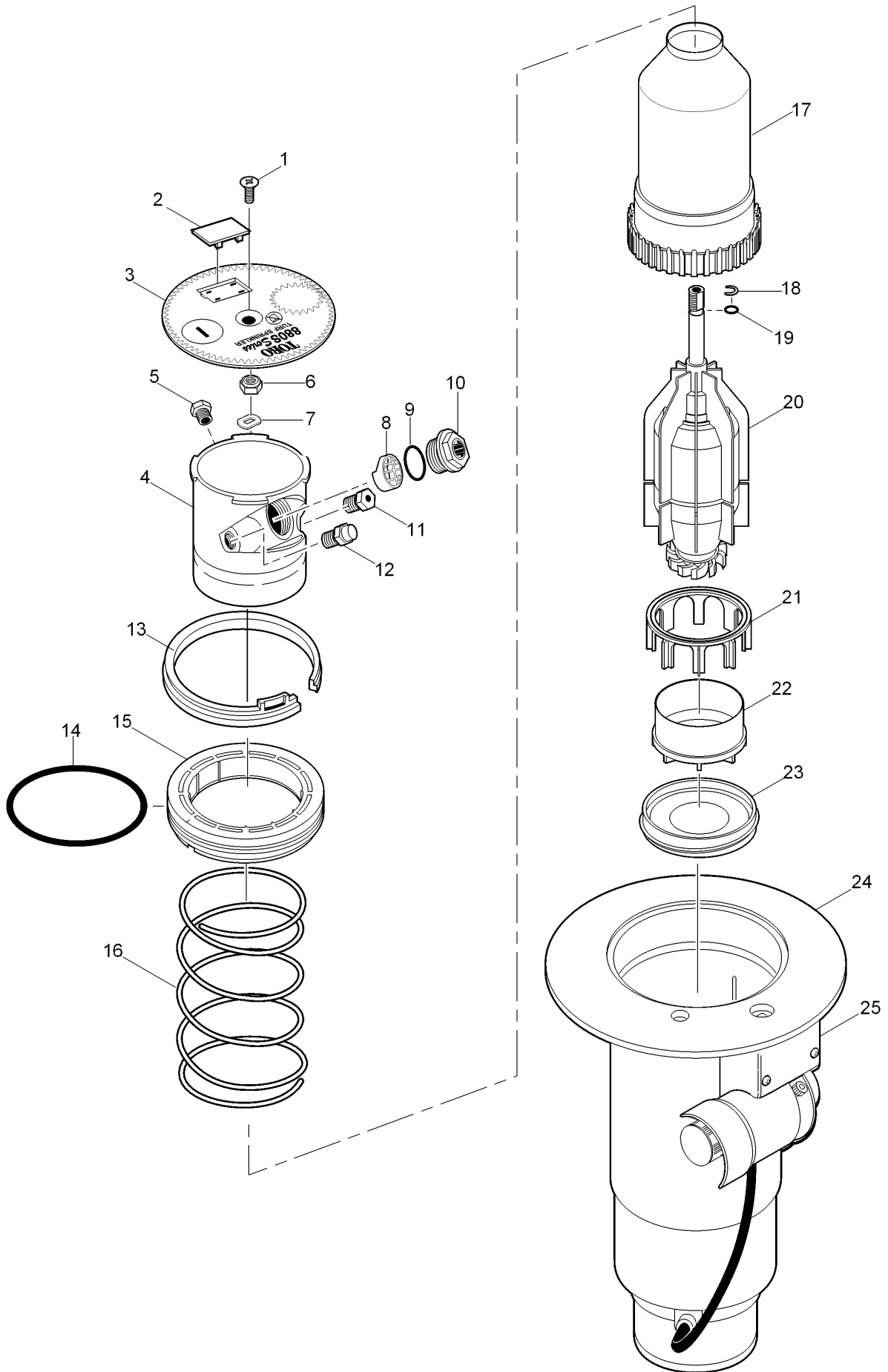
◻ See Pilot Valve Assembly Section.

■ SERVICE TOOLS

◆ Not serviced separately

○ See Golf Sprinkler Body Assembly Section.

880S Series Sprinkler



880S Series Sprinkler (continued)

Ref.	Part Number	Qty.	Description	Ref.	Part Number	Qty.	Description
1	102-1950	1	Screw, Cap, Stainless Steel, Full-Circle Models	19	360-0497	1	O-Ring
1	363-4125	1	Screw, Cap, Black, Part-Circle Models	20		1	Drive Assembly ♦
2	89-1589	1	Plug, Cap (Black)	21	89-1958	1	Stator Support
3	102-1948	1	Cap, 880S	22	89-1957	1	Stator, Variable
3	102-2083	1	Cap, 880S, Effluent	23	89-1588	1	Screen
4	102-2153	1	Nozzle Base Assembly	24		1	Body Assembly (See Golf Sprinkler Body Assembly Section) ○ ♦
5	102-0840	1	Nozzle, Inner/Intermediate, Blank, Red	25		1	Pilot Valve Assembly (See Pilot Valve Assembly Section) □ ♦
6	363-4039	1	Nut, 5/16-24, W/ Nylon Lock		102-2208		Nozzle, Main, #30 (Plug) ●▲
7	102-1951	1	Alignment Washer		102-0840		Nozzle, Inner/Intermediate, Blank, Red ●▲
8	102-1949	1	Stream Straightener		102-2135		Nozzle, Inner, Back, High Flow, White ●▲
9	363-4978	1	O-Ring, Main Nozzle		102-2136		Nozzle, Inner, Back, Low Flow, Yellow ●▲
10	102-0725	1	Nozzle, Main, #31, Yellow		363-4220		Screw, Radius Adjust ●▲
10	102-0726	1	Nozzle, Main, #32, Blue		102-0950		Adapter, Conversion ●▲
10	102-0727	1	Nozzle, Main, #33, Brown		YARDMARKYEL 1		Yardage Marker, Yellow (10-Sheets Per Pack) ●▲
10	102-0728	1	Nozzle, Main, #34, Orange		YARDMARKLAV 1		Yardage Marker, Lavender (For Non-Potable Water Applications) ●▲
10	102-0729	1	Nozzle, Main, #55, Green		995-09		Valve Removal Tool ■▲
10	102-0730	1	Nozzle, Main, #36, Gray		995-101		Valve Insertion Tool ■▲
10	102-4261	1	Nozzle, Main, #37, Black		995-15		Selector Tool (Flag Key) ■▲
10	102-4260	1	Nozzle, Main, #58, Red		995-79		Nut Driver, 7/16" (For Inner And Intermediate Nozzles) ■▲
11	102-0608	1	Nozzle, Intermediate, Orange (Use W/ #1 Main)		995-99		Nut Driver, 5/8" (For Main Nozzle) ■▲
11	102-0609	1	Nozzle, Intermediate, Gray (Use W/ #2 Main)		995-83		Multi-Purpose Tool ■▲
11	102-0610	1	Nozzle, Intermediate, Red (Use W/ #3 & #4 Mains)		995-85		Riser Removal Tool ■▲
11	102-0823	1	Nozzle, Intermediate, Beige (Use W/ #5 & #6 Mains)		995-100		Valve Snap Ring Pliers With Screen Remover ■▲
11	102-2005	1	Nozzle, Intermediate, Red (Use W/ #7 & #8 Mains)		995-102		Riser Hold-Up Tool, Universal ■▲
12	102-2980	1	Nozzle Assy. Inner, Red (W/ Restrictor)		118-0954	1	Riser Hold-Up Tool, Red ■▲
13	35-6119	1	Snap Ring, Riser				
14	363-4103	1	O-Ring, Body				
15	102-0136	1	Retainer, Seal, 1.5"				
16	102-0151	1	Spring, Return				
17	89-6361	1	Riser Assembly, 880S				
18		1	Support Washer ♦				

● SERVICE ITEMS

▲ Not illustrated

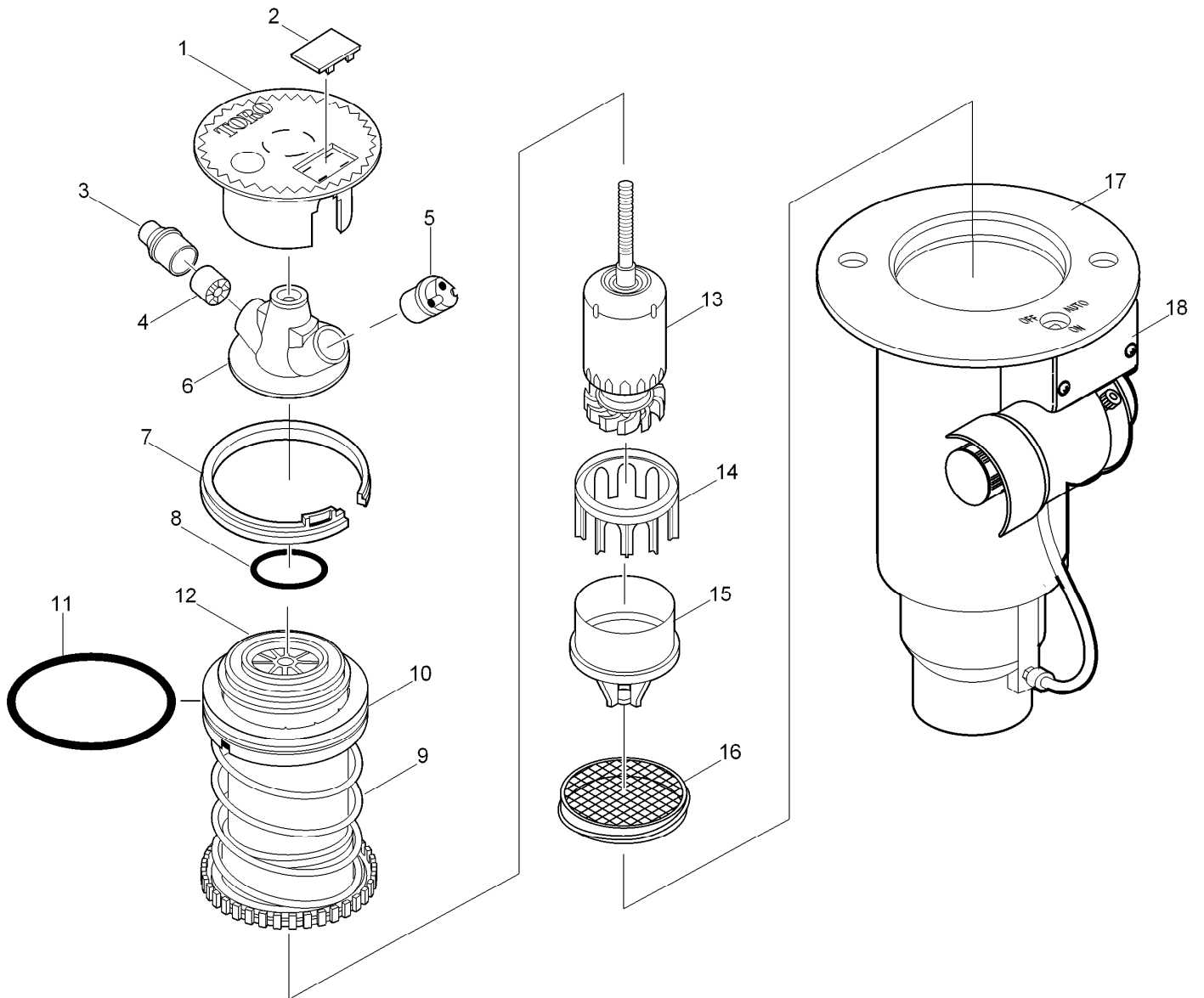
□ See Pilot Valve Assembly Section.

■ SERVICE TOOLS

♦ Not serviced separately

○ See Golf Sprinkler Body Assembly Section.

730 Series



730 Series (continued)

<i>Ref.</i>	<i>Part Number</i>	<i>Qty.</i>	<i>Description</i>	<i>Ref.</i>	<i>Part Number</i>	<i>Qty.</i>	<i>Description</i>
1	89-1293	1	Cap	14	89-1390	1	Housing, Stator
2	89-1589	1	Plug, Cap (Black)	15	89-9636	1	Stator, Variable, 51-54, Manila
3	89-8780	1	Nozzle, Main, 31, Yellow (Includes Item 4)	15	89-9637	1	Stator, Variable, 55-56, Black
3	89-8781	1	Nozzle, Main, 32, Orange (Includes Item 4)	15	89-9622		Stator, Variable, 57, Green
3	89-8782	1	Nozzle, Main, 33, Brown (Includes Item 4)	16	89-6495	1	Screen
3	89-8783	1	Nozzle, Main, 34, Blue (Includes Item 4)	17		1	Body Assy. (See Golf Sprinkler Body Assembly Section) ◻ ◆
3	89-8784	1	Nozzle, Main, 35, Green (Includes Item 4)	18		1	Pilot Valve Assembly (See Pilot Valve Assembly Section) ◻ ◆
3	89-8785	1	Nozzle, Main, 36, Red (Includes Item 4)		89-7562		Riser Assy. W/Screen, 730 Svc. (Includes Items 9-12 & 16) ●●▲▲
3	89-8786	1	Nozzle, Main, 37, Gray (Includes Item 4)		89-5979		Seal Kit, 730 (Includes Items 10-12) ●●▲▲
4	9-4098	1	Insert, Nozzle		89-8289		Cap, Effluent ●▲
5	102-5003	1	Nozzle Assembly., Inner, 31-37, Quad, Red		YARDMARKYEL 1		Yardage Marker, Yellow (10-Sheets Per Pack) ●▲
6	89-8907	1	Base Assy., Nozzle (Includes Nozzle Base And Insert Bearing)		YARDMARKLAV 1		Yardage Marker, Lavender (For Non-Potable Water Applications) ●▲
7	89-1385	1	Snap Ring, Riser		995-15		Selector Tool (Flag Key) ■▲
8	363-4167	1	O-Ring, Nozzle Base		995-100		Valve Snap Ring Pliers With Screen Remover ■▲
9		1	Riser Assy. (See Service Item 89-7562) ◆		995-08		Valve Removal Tool ■▲
10		1	Retainer, Spring (See Service Item 89-5979) ◆		996-76		Valve Insertion Tool ■▲
11	363-4102	1	O-Ring, Paraffin As-568 232		995-83		Multi-Purpose Tool ■▲
12	89-1386	1	Retainer, Riser				
13	102-4502	1	Drive Assy., 12-Pack				

● SERVICE ITEMS

▲ Not illustrated

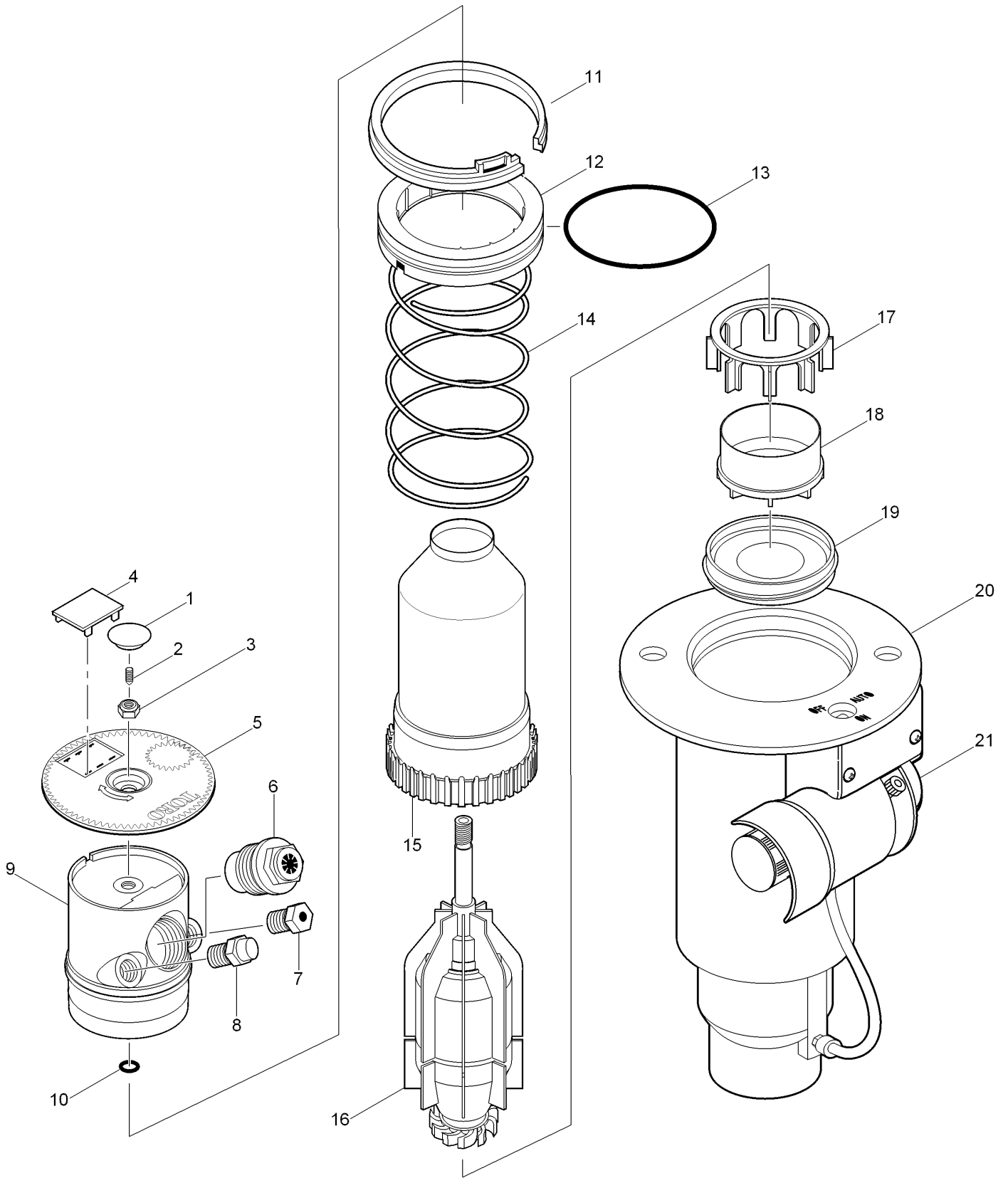
◻ See Pilot Valve Assembly Section.

■ SERVICE TOOLS

◆ Not serviced separately

○ See Golf Sprinkler Body Assembly Section.

760 Series Golf Sprinkler



760 Series Golf Sprinkler (continued)

<i>Ref.</i>	<i>Part Number</i>	<i>Qty.</i>	<i>Description</i>	<i>Ref.</i>	<i>Part Number</i>	<i>Qty.</i>	<i>Description</i>
1	89-1220	1	Plug, Adjustment	21		1	Pilot Valve Assembly (See Pilot Valve Assembly Section) ◻ ◆
2	363-3150	1	Screw, Set, 10-32 X .250 (Part Circle Models Only)	363-3125			Plug ● ▲
3	363-4039	1	Nut, 5/16-24, W/ Nylon Lock	102-0840			Nozzle, Inner/Intermediate, Blank, Red ● ▲
4	89-1589	1	Plug, Cap (Black)	89-4651			Nozzle, Inner, 82 Yellow (Pre-November 2003) ● ▲
5	89-1952	1	Cap, 760	89-3942			Nozzle, Inner, 83 Blue (Pre-November 2003) ● ▲
6	89-1925	1	Nozzle, Main, 62 Yellow	89-4652			Nozzle, Inner, 84 Brown (Pre-November 2003) ● ▲
6	89-1926	1	Nozzle, Main, 63 Blue	89-3729			Nozzle, Inner, 85 Orange (Pre-November 2003) ● ▲
6	89-1927	1	Nozzle, Main, 64 Brown	89-4653			Nozzle, Inner, 86 Green (Pre-November 2003) ● ▲
6	89-1928	1	Nozzle, Main, 65 Orange	89-1879			Nozzle, Inner, 87 Gray (Pre-November 2003) ● ▲
6	89-1929	1	Nozzle, Main, 66 Green	89-4654			Nozzle, Inner, 88 Black (Pre-November 2003) ● ▲
6	89-1930	1	Nozzle, Main, 67 Gray	89-4650			Restrictor, (84-89 White) (Pre-November 2003) ● ▲
6	89-1931	1	Nozzle, Main, 68 Black	YARDMARKYEL 1			Yardage Marker, Yellow (10-Sheets Per Pack) ● ▲
7	102-2925	1	Nozzle Assy. Intermediate, Blue (Used W/ #62 Yellow & #63 Blue Mains)	YARDMARKLAV 1			Yardage Marker, Lavender (For Non-Potable Water Applications) ● ▲
7	102-0608	1	Nozzle, Intermediate, Orange (Used W/ #64 Brown Main)	995-08			Valve Removal Tool ■ ▲
7	102-0609	1	Nozzle, Intermediate, Gray (Used W/ #65 Orange Main)	995-15			Selector Tool (Flag Key) ■ ▲
7	102-0610	1	Nozzle, Intermediate, Red (Use W/ #66 Green & #67 Gray Mains)	995-55			Riser Hold-Up Tool ■ ▲
7	102-2929	1	Nozzle, Intermediate, Beige (Used W/ #68 Black Main)	995-76			Valve Insertion Tool ■ ▲
8	102-2980	1	Nozzle Assy. Inner, Red (W/ Restrictor)	995-79			Nut Driver, 7/16" (For Inner And Intermediate Nozzles) ■ ▲
9	89-1906	1	Nozzle Base Assy., 760/780	995-80			Nut Driver, 1/2" (For 363-4039 Lock Nut) ■ ▲
9	102-0057	1	Nozzle Base Assy., 760/780 W/Back Nozzle (Includes 89-3729 Nozzle, Inner 85 Orange & 89-4650 Restrictor)	995-81			Nut Driver, 9/16" (For Main Nozzle) ■ ▲
10	360-0107	1	O-Ring	995-82			Adjustment Tool, 3/32" (T-Handle Hex Wrench) ■ ▲
11	89-1385	1	Snap Ring, Riser	995-83			Multi-Purpose Tool ■ ▲
12	102-0134	1	Retainer, Seal	995-85			Riser Removal Tool ■ ▲
13	363-4102	1	O-Ring, Paraffin As-568 232	995-100			Valve Snap Ring Pliers With Screen Remover ■ ▲
14	89-6307	1	Spring, Return	118-0954	1		Riser Hold-Up Tool, Red ■ ▲
15	89-6360	1	Riser Assembly				
16		1	Drive Assembly ◆				
17	89-1958	1	Stator Support				
18	89-1957	1	Stator, Variable				
19	89-1588	1	Screen				
20		1	Body Assembly (See Golf Sprinkler Body Assembly Section) ◻ ◆				

● SERVICE ITEMS

▲ Not illustrated

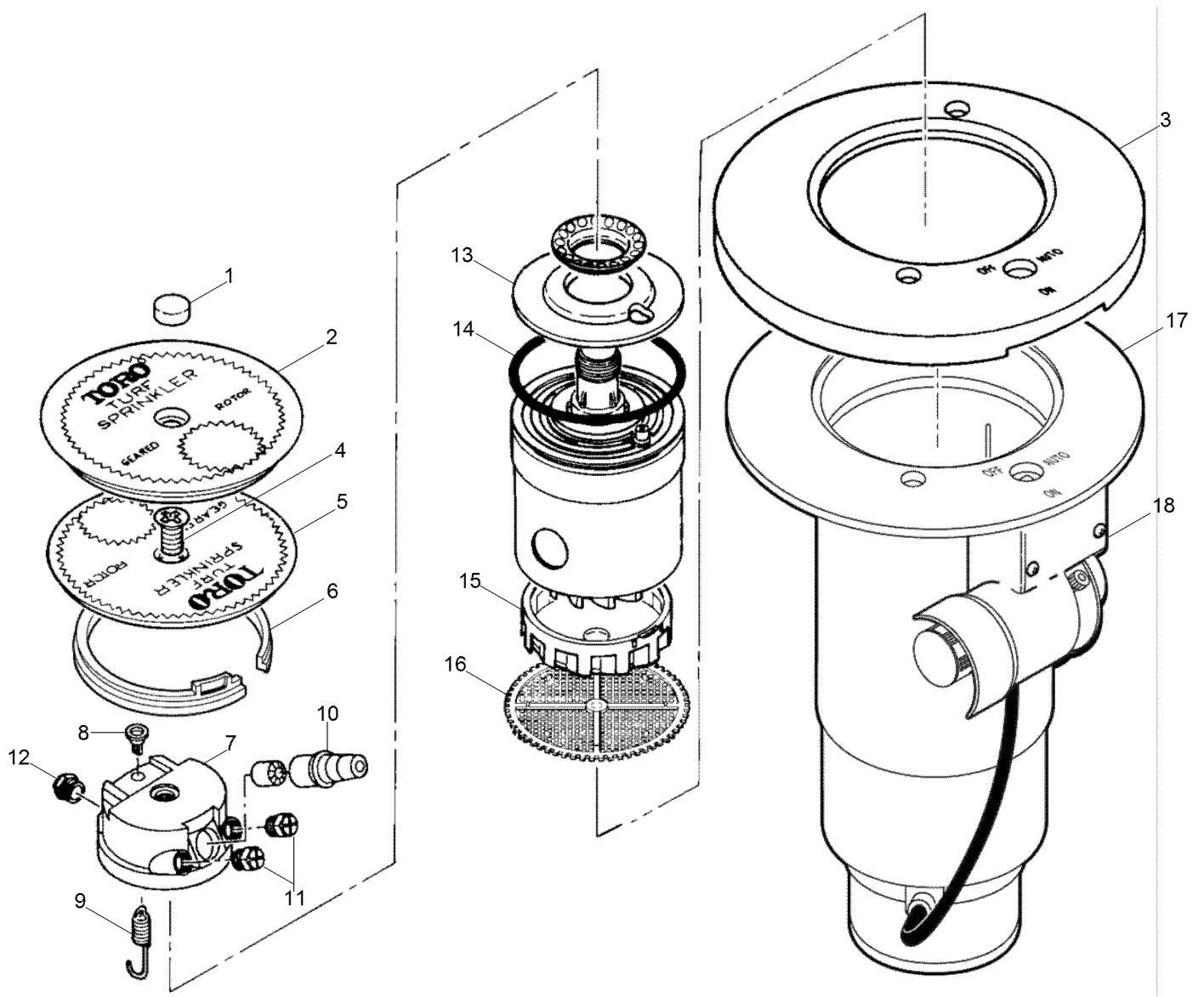
◻ See Pilot Valve Assembly Section.

■ SERVICE TOOLS

◆ Not serviced separately

○ See Golf Sprinkler Body Assembly Section.

650 Series



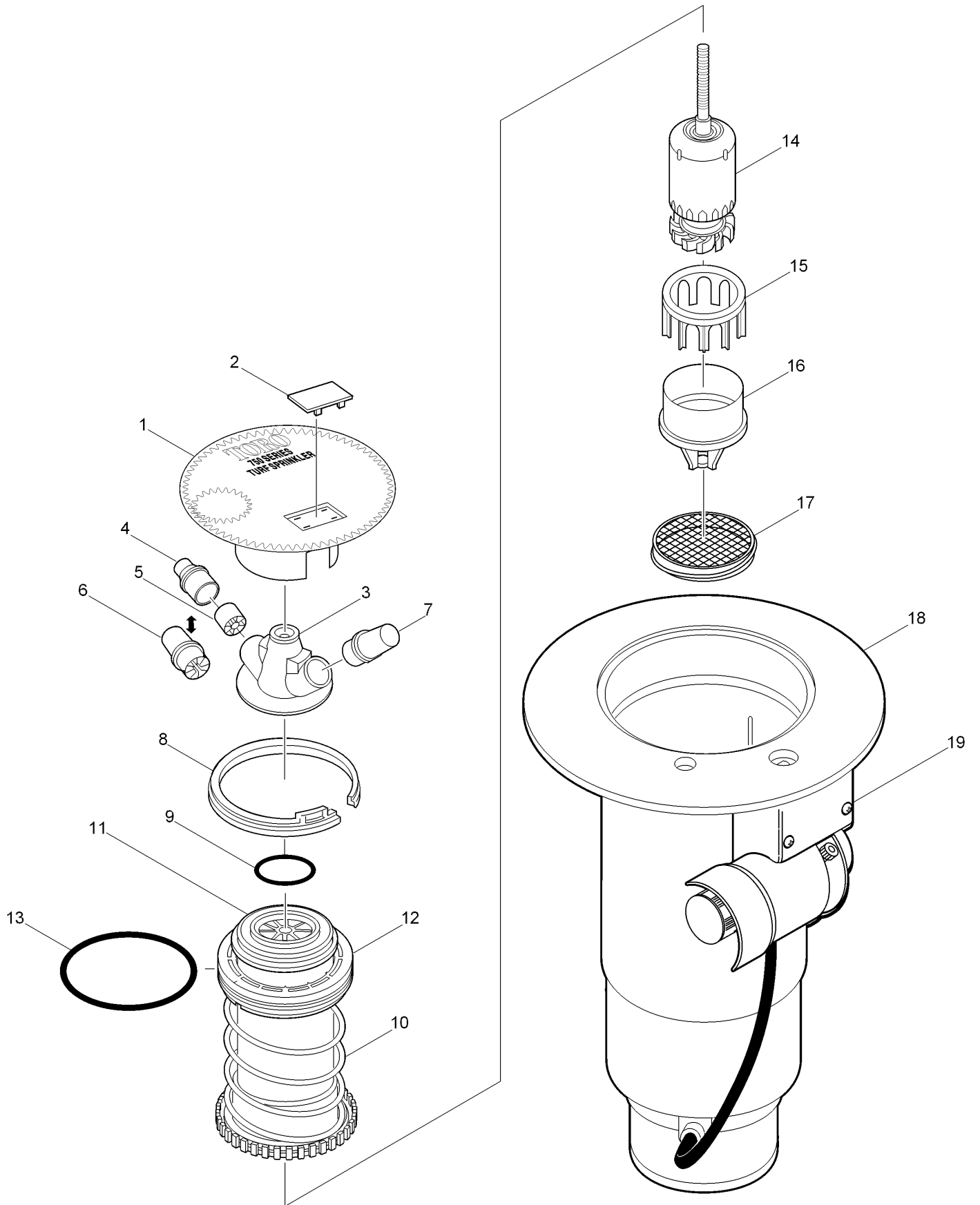
650 Series (continued)

Ref.	Part Number	Qty.	Description	Ref.	Part Number	Qty.	Description
1	3-2095	1	Plug, Cap, Rubber Cover	15	9-5187	1	Stator, 34/59
2	35-8563	1	Cap Assy., Rubber Cover	15	9-5188	1	Stator, 54
3	9-5355	1	Rubber Cover, Rounded	15	9-5186	1	Stator, 55/56
			Flange (See Service Item	15	9-5190	1	Stator, 57
			650-02)	15	9-5192	1	Stator, 58
4	3-2510	1	Screw, Machine, 5/16-18 X	16	35-1106	1	Screen, Molded
			11/16"	17		1	Body Assy. (See Golf
5	89-8461	1	Cap				Sprinkler Body Assembly
6	35-6119	1	Snap Ring, Riser				Section.) ♦
7		1	Nozzle Base Assy., 656/658	18		1	Pilot Valve Assy. (See Pilot
			(Use 89-4853 Or 89-4852) ♦				Valve Assembly Section.) ♦
7		1	Nozzle Base Assy., 651/652,		35-7638		Nozzle Assy., W/O Main
			654/655 (Use 89-4795 Or				Nozzle, 650 (Includes Items
			35-7638) ♦				4, 5, 7, 8, 9 & 12) ●▲
8	35-5846	1	Retainer, Spring		89-4795		Nozzle Assy., W/O Main
9	35-6289	1	Spring, Nozzle				Nozzle And Cap, 650
10	35-7658	1	Nozzle, Main, #54 (Includes				(Includes Items 7, 8, 9 & 12)
			Item 11)				●▲
10	35-7659	1	Nozzle, Main, #55 (Includes		102-0840		Nozzle, Inner/Intermediate,
			Item 11)				Blank, Red ●▲
10	35-7660	1	Nozzle, Main, #56 (Includes		995-09		Valve Removal Tool ■▲
			Item 11)		995-15		Selector Tool (Flag Key) ■▲
10	35-7661	1	Nozzle, Main, #57 (Includes		995-16		Riser Pliers ■▲
			Item 11)		995-18		Spring Collar Installation
10	35-7662	1	Nozzle, Main, #58 (Includes				Tool ■▲
			Item 11)		995-79		Nut Driver, 7/16" (For Inner
10	35-9839	1	Nozzle, Main, #59				And Intermediate Nozzles)
11	89-3942	1	Nozzle, Inner, 83 Blue				■▲
			(Pre-November 2003)		995-83		Multi-Purpose Tool ■▲
11	89-4738	1	Nozzle, Inner, Red		995-100		Valve Snap Ring Pliers With
12	89-4785	1	Nozzle, Back, Green				Screen Remover ■▲
13	3-2093	1	Plate, Retainer		995-101		Valve Insertion Tool ■▲
14	363-4103	1	O-Ring, Body				

● SERVICE ITEMS
▲ Not illustrated

■ SERVICE TOOLS
♦ Not serviced separately

750 Series Golf Sprinklers



750 Series Golf Sprinklers (continued)

<i>Ref.</i>	<i>Part Number</i>	<i>Qty.</i>	<i>Description</i>	<i>Ref.</i>	<i>Part Number</i>	<i>Qty.</i>	<i>Description</i>
1	89-4812	1	Cap	16	89-9637	1	Stator, Variable, 55-56, Black
1	89-8290	1	Cap, Effluent	16	89-9622	1	Stator, Variable, 57, Green
2	89-1589	1	Plug, Cap (Black)	16	89-9954	1	Stator, Variable, 58-59, Red
3	89-8907	1	Base Assy., Nozzle (Includes Nozzle Base And Insert Bearing)	17	89-6495	1	Screen
4	89-8781	1	Nozzle, Main, 32, Orange (Includes Item 5)	18		1	Body Assembly (See Golf Sprinkler Body Assembly Section) ◻ ◆
4	89-8782	1	Nozzle, Main, 33, Brown (Includes Item 5)	19		1	Pilot Valve Assembly (See Pilot Valve Assembly Section) ◻ ◆
4	89-8783	1	Nozzle, Main, 34, Blue (Includes Item 5)	89-8916			Nozzle Assy., 754-52, Orange (Includes 1-5 & 7) ● ▲
5	9-4098	1	Insert, Nozzle	89-4352			Seal Kit, 750 (Includes Items 11-13) ● ▲
6	89-8969	1	Nozzle, Main, 55, Green, Long (Includes Item 5)	89-7563			Riser Assy. W/Screen (Includes Items 10-13 & 17) ● ▲
6	89-8701	1	Nozzle, Main, 56, Red, Long	35-4557			Screen, Press-In Type (Pre-9/94 Production) ● ▲
6	89-8702	1	Nozzle, Main, 57, Gray, Long	YARDMARKYEL 1			Yardage Marker, Yellow (10-Sheets Per Pack) ● ▲
6	89-8614	1	Nozzle, Main, 58, Beige, Long	YARDMARKLAV 1			Yardage Marker, Lavender (For Non-Potable Water Applications) ● ▲
6	89-8615	1	Nozzle, Main, 59, Black, Long	995-09			Valve Removal Tool ■ ▲
7	89-8715	1	Nozzle, Inner, 52-54, Red	995-15			Selector Tool (Flag Key) ■ ▲
7	89-8373	1	Nozzle, Inner, 55-59, Black	995-55			Riser Hold-Up Tool ■ ▲
8	35-6119	1	Snap Ring, Riser	995-83			Multi-Purpose Tool ■ ▲
9	363-4167	1	O-Ring, Nozzle Base	995-85			Riser Removal Tool ■ ▲
10		1	Riser Assembly (See Service Item 89-7563) ◆	995-101			Valve Insertion Tool ■ ▲
11	89-1386	1	Retainer, Riser	995-100			Valve Snap Ring Pliers With Screen Remover ■ ▲
12		1	Retainer, Spring (See Service Item 89-4352) ◆				
13	363-4103	1	O-Ring, Body				
14	102-4502	1	Drive Assy., 12-Pack				
15	89-1390	1	Housing, Stator				
16	89-9636	1	Stator, Variable, 51-54, Manila				

● SERVICE ITEMS

▲ Not illustrated

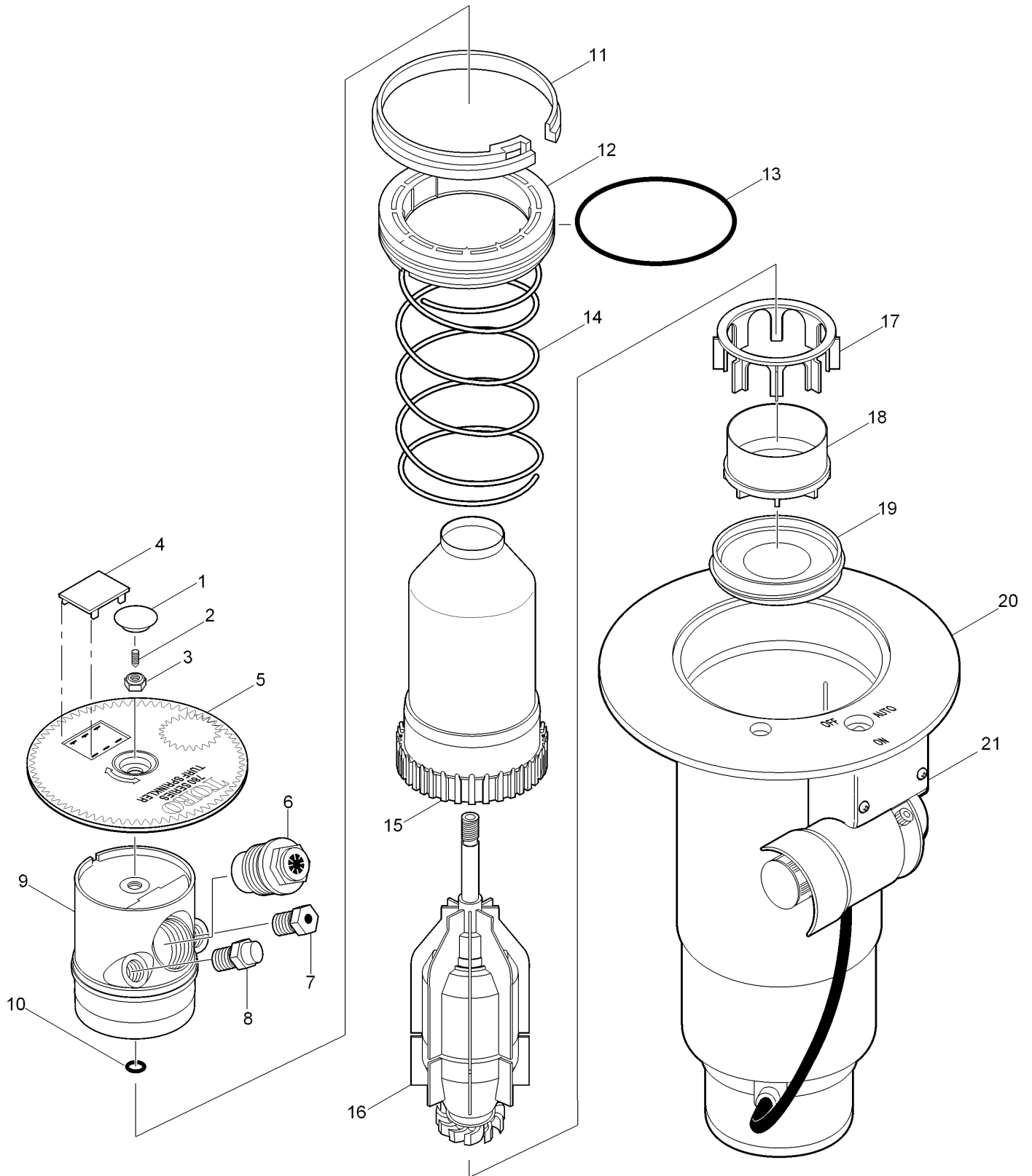
◻ See Pilot Valve Assembly Section.

■ SERVICE TOOLS

◆ Not serviced separately

○ See Golf Sprinkler Body Assembly Section.

780 Series Golf Sprinklers



780 Series Golf Sprinklers (continued)

<i>Ref.</i>	<i>Part Number</i>	<i>Qty.</i>	<i>Description</i>	<i>Ref.</i>	<i>Part Number</i>	<i>Qty.</i>	<i>Description</i>
1	89-1220	1	Plug, Adjustment	21			Pilot Valve Assy. (See Pilot Valve Assembly Section) ◻ ◆
2	363-3150	1	Screw, Set, 10-32 X .250 (Part Circle Only)	363-3125			Plug ● ▲
3	363-4039	1	Nut, 5/16-24, W/ Nylon Lock	102-0840			Nozzle, Inner/Intermediate, Blank, Red ● ▲
4	89-1589	1	Plug, Cap (Black)	89-4651			Nozzle, Inner, 82 Yellow (Pre-November 2003) ● ▲
5	89-1584	1	Cap, 780	89-3942			Nozzle, Inner, 83 Blue (Pre-November 2003) ● ▲
5	89-8288	1	Cap, Effluent	89-4652			Nozzle, Inner, 84 Brown (Pre-November 2003) ● ▲
6	89-1925	1	Nozzle, Main, 62 Yellow	89-3729			Nozzle, Inner, 85 Orange (Pre-November 2003) ● ▲
6	89-1926	1	Nozzle, Main, 63 Blue	89-4653			Nozzle, Inner, 86 Green (Pre-November 2003) ● ▲
6	89-1927	1	Nozzle, Main, 64 Brown	89-1879			Nozzle, Inner, 87 Gray (Pre-November 2003) ● ▲
6	89-1928	1	Nozzle, Main, 65 Orange	89-4654			Nozzle, Inner, 88 Black (Pre-November 2003) ● ▲
6	89-1929	1	Nozzle, Main, 66 Green	89-1878			Nozzle, Inner, 89 Red ● ▲
6	89-1930	1	Nozzle, Main, 67 Gray	89-4650			Restrictor, (84-89 White) (Pre-November 2003) ● ▲
6	89-1931	1	Nozzle, Main, 68 Black	YARDMARKYEL 1			Yardage Marker, Yellow (10-Sheets Per Pack) ● ▲
6	89-4655	1	Nozzle, Main, 89 Red	YARDMARKLAV 1			Yardage Marker, Lavender (For Non-Potable Water Applications) ● ▲
7	102-2925	1	Nozzle Assy. Intermediate, Blue (Used W/ #82 Yellow & #83 Blue Mains)	995-09			Valve Removal Tool ■ ▲
7	102-0608	1	Nozzle, Intermediate, Orange (Used W/ #84 Brown Main)	995-15			Selector Tool (Flag Key) ■ ▲
7	102-0609	1	Nozzle, Intermediate, Gray (Used W/ #85 Orange Main)	995-55			Riser Hold-Up Tool ■ ▲
7	102-0610	1	Nozzle, Intermediate, Red (Use W/ #86 Green & #87 Gray Mains)	995-79			Nut Driver, 7/16" (For Inner And Intermediate Nozzles) ■ ▲
7	102-2929	1	Nozzle, Intermediate, Beige (Use W/ #88 Black & #89 Red Mains)	995-80			Nut Driver, 1/2" (For 363-4039 Lock Nut) ■ ▲
8	102-2980	1	Nozzle Assy. Inner, Red (W/ Restrictor)	995-81			Nut Driver, 9/16" (For Main Nozzle) ■ ▲
9	89-1906	1	Nozzle Base Assy., 760/780	995-82			Adjustment Tool, 3/32" (T-Handle Hex Wrench) ■ ▲
9	102-0057	1	Nozzle Base Assy., 760/780 W/Back Nozzle (Includes 89-3729 #85 Inner Nozzle & 89-4650 Restrictor)	995-83			Multi-Purpose Tool ■ ▲
10	360-0107	1	O-Ring	995-85			Riser Removal Tool ■ ▲
11	35-6119	1	Snap Ring, Riser	995-101			Valve Insertion Tool ■ ▲
12	102-0136	1	Retainer, Seal, 1.5"	995-100			Valve Snap Ring Pliers With Screen Remover ■ ▲
13	363-4103	1	O-Ring, Body	118-0954	1		Riser Hold-Up Tool, Red ■ ▲
14	89-6307	1	Spring, Return				
15	89-6361	1	Riser Assembly, 880S				
16		1	Drive Assembly ◆				
17	89-1958	1	Stator Support				
18	89-1957	1	Stator, Variable				
19	89-1588	1	Screen				
20		1	Body Assy. (See Sprinkler Golf Body Assembly Section) ◻ ◆				

● SERVICE ITEMS

▲ Not illustrated

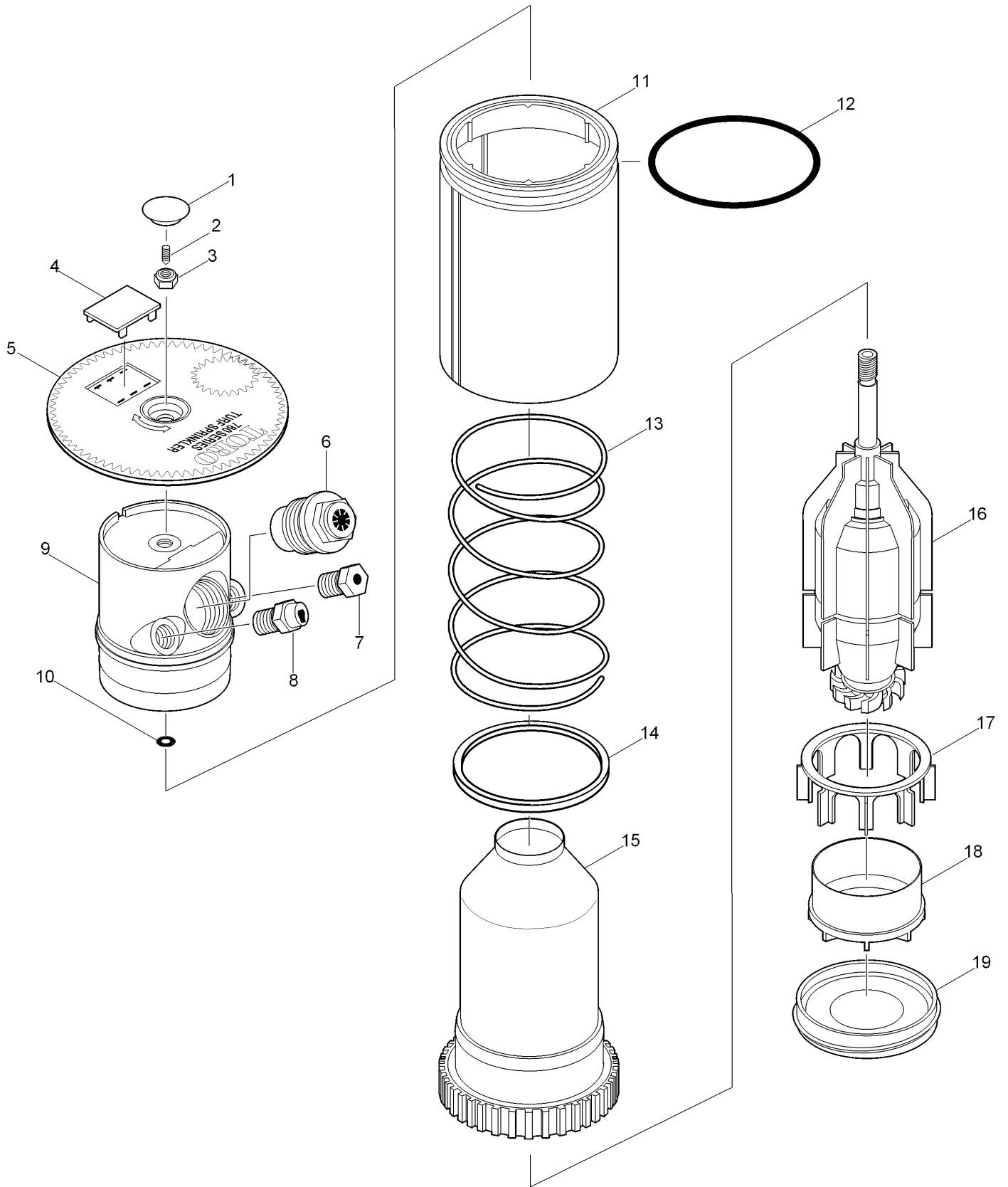
◻ See Pilot Valve Assembly Section.

■ SERVICE TOOLS

◆ Not serviced separately

○ See Golf Sprinkler Body Assembly Section.

780 Series Ribless Body Conversion Assembly



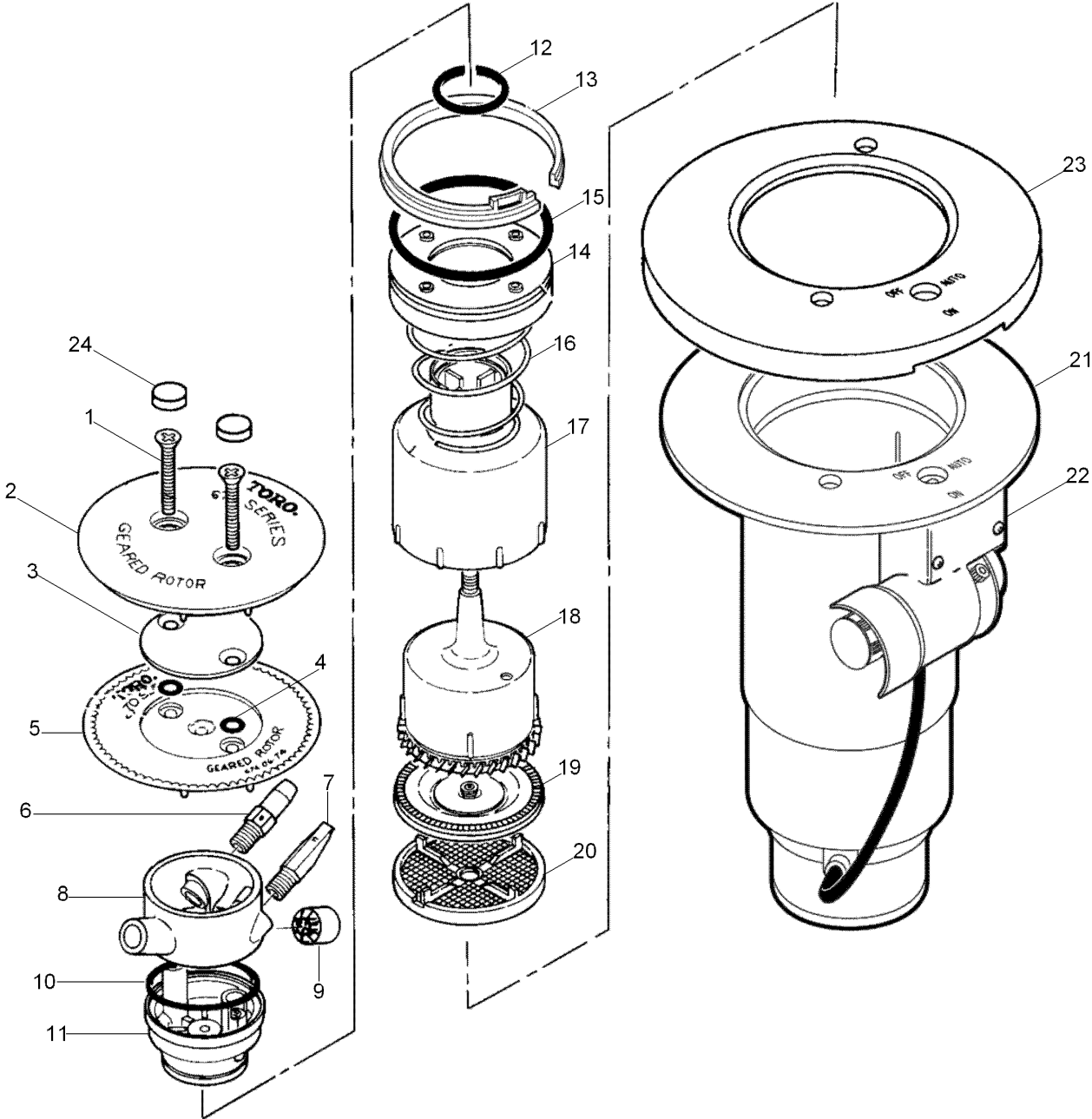
780 Series Ribless Body Conversion Assembly (continued)

Ref.	Part Number	Qty.	Description	Ref.	Part Number	Qty.	Description
1	89-1220	1	Plug, Adjustment	17	89-1958	1	Stator Support
2	363-3150	1	Screw, Set, 10-32 X .250 (Part Circle Only)	18	89-1957	1	Stator, Variable
3	363-4039	1	Nut, 5/16-24, W/ Nylon Lock	19	89-1588	1	Screen
4	89-1589	1	Plug, Cap (Black)	363-3125			Plug ●▲
5	89-1584	1	Cap, 780	102-0840			Nozzle, Inner/Intermediate, Blank, Red ●▲
5	89-8288	1	Cap, Effluent	89-4651			Nozzle, Inner, 82 Yellow (Pre-November 2003) ●▲
6	89-1925	1	Nozzle, Main, 62 Yellow	89-3942			Nozzle, Inner, 83 Blue (Pre-November 2003) ●▲
6	89-1926	1	Nozzle, Main, 63 Blue	89-4652			Nozzle, Inner, 84 Brown (Pre-November 2003) ●▲
6	89-1927	1	Nozzle, Main, 64 Brown	89-3729			Nozzle, Inner, 85 Orange (Pre-November 2003) ●▲
6	89-1928	1	Nozzle, Main, 65 Orange	89-4653			Nozzle, Inner, 86 Green (Pre-November 2003) ●▲
6	89-1929	1	Nozzle, Main, 66 Green	89-1879			Nozzle, Inner, 87 Gray (Pre-November 2003) ●▲
6	89-1930	1	Nozzle, Main, 67 Gray	89-4654			Nozzle, Inner, 88 Black (Pre-November 2003) ●▲
6	89-1931	1	Nozzle, Main, 68 Black	89-1878			Nozzle, Inner, 89 Red ●▲
6	89-4655	1	Nozzle, Main, 89 Red	89-4650			Restrictor, (84-89 White) (Pre-November 2003) ●▲
7	102-2925	1	Nozzle Assy. Intermediate, Blue (Use W/ #82 Yellow & #83 Blue Main Nozzles)	995-09			Valve Removal Tool ■▲
7	102-0608	1	Nozzle, Intermediate, Orange (Use W/ #84 Brown Main Nozzle)	995-15			Selector Tool (Flag Key) ■▲
7	102-0609	1	Nozzle, Intermediate, Gray (Use W/ #84 Orange Main Nozzle)	995-55			Riser Hold-Up Tool ■▲
7	102-0610	1	Nozzle, Intermediate, Red (Use W/ #86 Green & #87 Gray Main Nozzles)	995-79			Nut Driver, 7/16" (For Inner And Intermediate Nozzles) ■▲
7	102-2929	1	Nozzle, Intermediate, Beige (Use W/ #88 Black & #89 Red Main Nozzles)	995-80			Nut Driver, 1/2" (For 363-4039 Lock Nut) ■ ▲
8	102-2980	1	Nozzle Assy. Inner, Red (W/ Restrictor)	995-81			Nut Driver, 9/16" (For Main Nozzle) ■▲
9	89-1906	1	Nozzle Base Assy., 760/780	995-82			Adjustment Tool, 3/32" (T-Handle Hex Wrench) ■▲
9	102-0057	1	Nozzle Base Assy., 760/780 W/Back Nozzle	995-83			Multi-Purpose Tool ■▲
10	360-0107	1	O-Ring	995-85			Riser Removal Tool ■▲
11	89-7568	1	Sleeve, Retainer, O-Ring, Conversion	995-101			Valve Insertion Tool ■▲
12	363-4103	1	O-Ring, Body	995-100			Valve Snap Ring Pliers With Screen Remover ■▲
13	89-6307	1	Spring, Return	118-0954	1		Riser Hold-Up Tool, Red ■▲
14	89-7569	1	Seal, Riser				
15	89-6360	1	Riser Assembly				
16		1	Drive Assembly ◆				

● SERVICE ITEMS
▲ Not illustrated

■ SERVICE TOOLS
◆ Not serviced separately

670 Series Golf Sprinkler



670 Series Golf Sprinkler (continued)

<i>Ref.</i>	<i>Part Number</i>	<i>Qty.</i>	<i>Description</i>	<i>Ref.</i>	<i>Part Number</i>	<i>Qty.</i>	<i>Description</i>
1	363-1571	2	Screw-PFH	18	9-3908	1	Drive Assy. (Includes Item 17)
2	9-5633	1	Cap Assy, Rubber Cover	19	9-4529	1	Stator, Variable (Used W/ #72, #73 & #74 Nozzles)
3	9-3735	1	Plate, Cap, Insert	20	35-3611	1	Screen, Debris
4	360-0107	2	O-Ring	21		1	Body Assembly (See Golf Sprinkler Body Assembly Section) ◊
5	35-0530	1	Cap, Sprinkler, 670	22		1	Pilot Valve Assembly (See Pilot Valve Assembly Section) □
6	9-2793	1	Nozzle, "0" Intermediate	23	9-5355	1	Rubber Cover, Rounded Flange,
7	9-7177	1	Nozzle, "f" Inner	24	3-2518	1	Plug-Cap , Rubber
8	9-7962	1	Ring, Nozzle Assy., #70 (5/16")		89-0475		670 Nozzle Assy., #70 (Includes Items 1 & 3-12) ●▲
8	9-7963	1	Ring, Nozzle Assy., #71 (11/32")		9-7415		670 Nozzle Assy., #71 (Includes Items 1 & 3-12) ●▲
8	9-7964	1	Ring, Nozzle Assy., #72 (3/8")		9-7417		670 Nozzle Assy., #73 (Includes Items 1 & 3-12) ●▲
8	9-7965	1	Ring, Nozzle Assy., #73 (13/32")		995-09		Valve Removal Tool ■▲
8	9-7966	1	Ring, Nozzle Assy., #74 (7/16")		995-15		Selector Tool (Flag Key) ■▲
9	89-5813	1	Straightener, Stream		995-83		Multi-Purpose Tool ■▲
10	360-0398	1	O-Ring		995-100		Valve Snap Ring Pliers With Screen Remover ■▲
11	9-7407	1	Nozzle Base Assy.		995-101		Valve Insertion Tool ■▲
12	9-5075	1	O-Ring, Housing, Outer				
13	35-6119	1	Snap Ring, Riser				
14	9-5055	1	Spring Retainer & Plate Assembly				
15	363-4103	1	O-Ring, Body				
16		1	Spring, Return ◊				
17	9-3874	1	Drive Assy., Outer Housing				

● SERVICE ITEMS

▲ Not illustrated

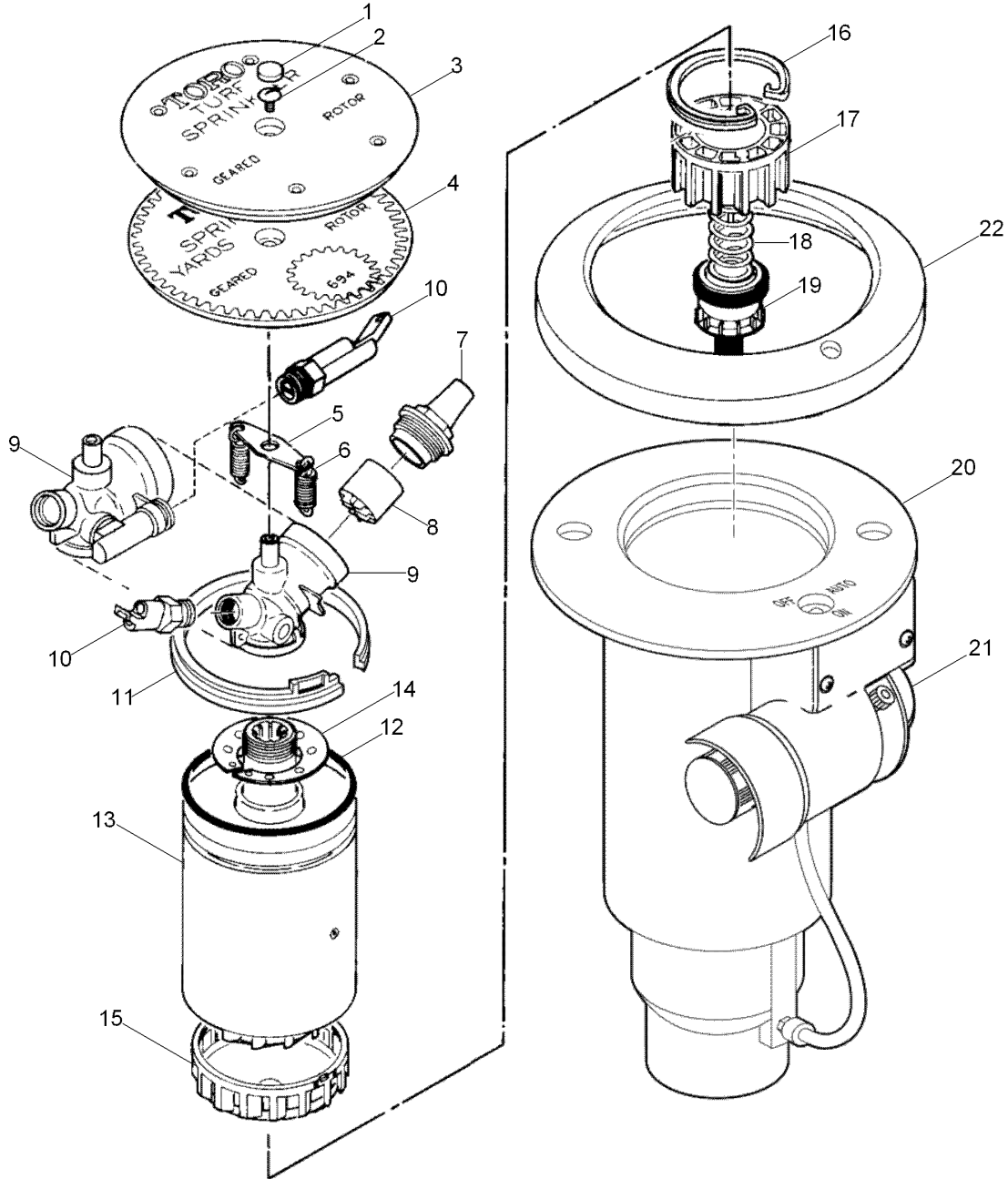
□ See Pilot Valve Assembly Section.

■ SERVICE TOOLS

◊ Not serviced separately

○ See Golf Sprinkler Body Assembly Section.

690 Series Golf Sprinkler



690 Series Golf Sprinkler (continued)

Ref.	Part Number	Qty.	Description	Ref.	Part Number	Qty.	Description
1	3-2518	1	Plug-Cap , Rubber	20		1	Body Assembly (See Service Items) ◊ ◆
2	3-3567	1	Screw-Machine, 1/4-20 X 3/8	21		1	Pilot Valve Assembly (See Pilot Valve Assembly Section) □ ◆
3	3-3582	1	Cover-Cap, Rubber	22		1	Cover Body, Rubber ◆
4	3-3532	1	Cap		102-4003	1	Valve Assy., 1.5", Elec ● ▲
5	9-2734	1	Strap-Spring		102-6310	1	Valve Assy., 1.5", N.O.
6	9-2738	2	Spring-Retraction		89-1037	1	Valve Assy., 1.5", Com ● ▲
7	89-5816	1	Nozzle-Main, 3/8, No. 90		3-3529		Cap ASM, Rubber Cover ● ▲
7	3-3542	1	Nozzle-Main, 7/16, No. 91		3-3579		Body-Electric W/O/Vih ● ▲
7	3-3543	1	Nozzle-Main, 1/2, No. 92		3-3558		Body-Hydraulic No W/O/Vih ● ▲
8	3-3535	1	Straightener-Stream		9-1497		Body-Com W/O/Vih ● ▲
9	3-3531	1	Base-Nozzle, Full-Circle		9-4079		Nozzle ASM, 690-90 (Includes Items 7-10) ● ▲
9	9-1079	1	Base-Nozzle, Part-Circle		9-4080		Nozzle ASM, 690-91 (Includes Items 7-10) ● ▲
10	9-5535	1	Nozzle-Back		9-4081		Nozzle ASM, 690-92 (Includes Items 7-10) ● ▲
11	3-3536	1	Ring-Snap, Head		9-4083		Nozzle ASM, 694-90 (Includes Items 7-10) ● ▲
12	363-3210	1	O-Ring (0.139 X 4.359 X 4.637)		9-4084		Nozzle ASM, 694-91 (Includes Items 7-10) ● ▲
13	9-1849	1	Drive ASM, Quarter-Circle, 691 (Includes Item 14)		9-4085		Nozzle ASM, 694-92 (Includes Items 7-10) ● ▲
13	9-1850	1	Drive ASM, Half-Circle, 692 (Includes Item 14)		9-5747		Nozzle Base ASM, 690, Dual Back Nozzles (Front And Back) ● ▲
13	3-3585	1	Drive ASM, Full-Circle, 694 (Includes Item 14)		9-2669		Retraction ASM, Spring (Includes Items 5, 6, 11 And 14) ● ▲
13	35-5123	1	Drive ASM, 696, 2-Speed, 60°-120° (Includes Item 14)		995-100		Valve Snap Ring Pliers With Screen Remover ■ ▲
13	3-3549	1	Drive ASM, 698, 2-Speed 180° (Includes Item 14)		995-09		Valve Removal Tool ■ ▲
13	89-8145	1	Drive ASM, 150° (Includes Item 14)		995-12		Valve Insertion Tool ■ ▲
13	89-8146	1	Drive ASM, 165° (Includes Item 14)		995-15		Selector Tool (Flag Key) ■ ▲
13	89-8147	1	Drive ASM, 195° (Includes Item 14)		995-17		Pliers-Riser ■ ▲
13	89-8148	1	Drive ASM, 210° Includes Item 14)		995-20		Valve Insertion Tool, Rubber Cover ■ ▲
14		1	Collar, Spring ◆		995-22		Adapter-Hose ■ ▲
15	3-3586	1	Stator, 3/8, #90		995-49		Gauge-Pressure ■ ▶ ▲
15	3-3568	1	Stator, 7/16, #91		995-50		Tube-Pitot ■ ▲
15	3-3555	1	Stator, 1/2, #92		995-51		Pressure Gauge Kit ■ ▲
16	3-3304	1	Snap Ring, Valve		995-100		Valve Snap Ring Pliers With Screen Remover ■ ▲
17	9-1479	1	Cylinder ASM, No, Com And Drain Valve		118-0954	1	Riser Hold-Up Tool, Red ■ ▲
17	102-6142	1	Cylinder Assy., El And No/Com				
18	3-3311	1	Spring-Valve, Com, Black				
18	102-6411	1	Spring, Valve, El/No, Silver				
19	102-5101	1	Piston Assy., El				

● SERVICE ITEMS

▲ Not illustrated

□ See Pilot Valve Assembly Section.

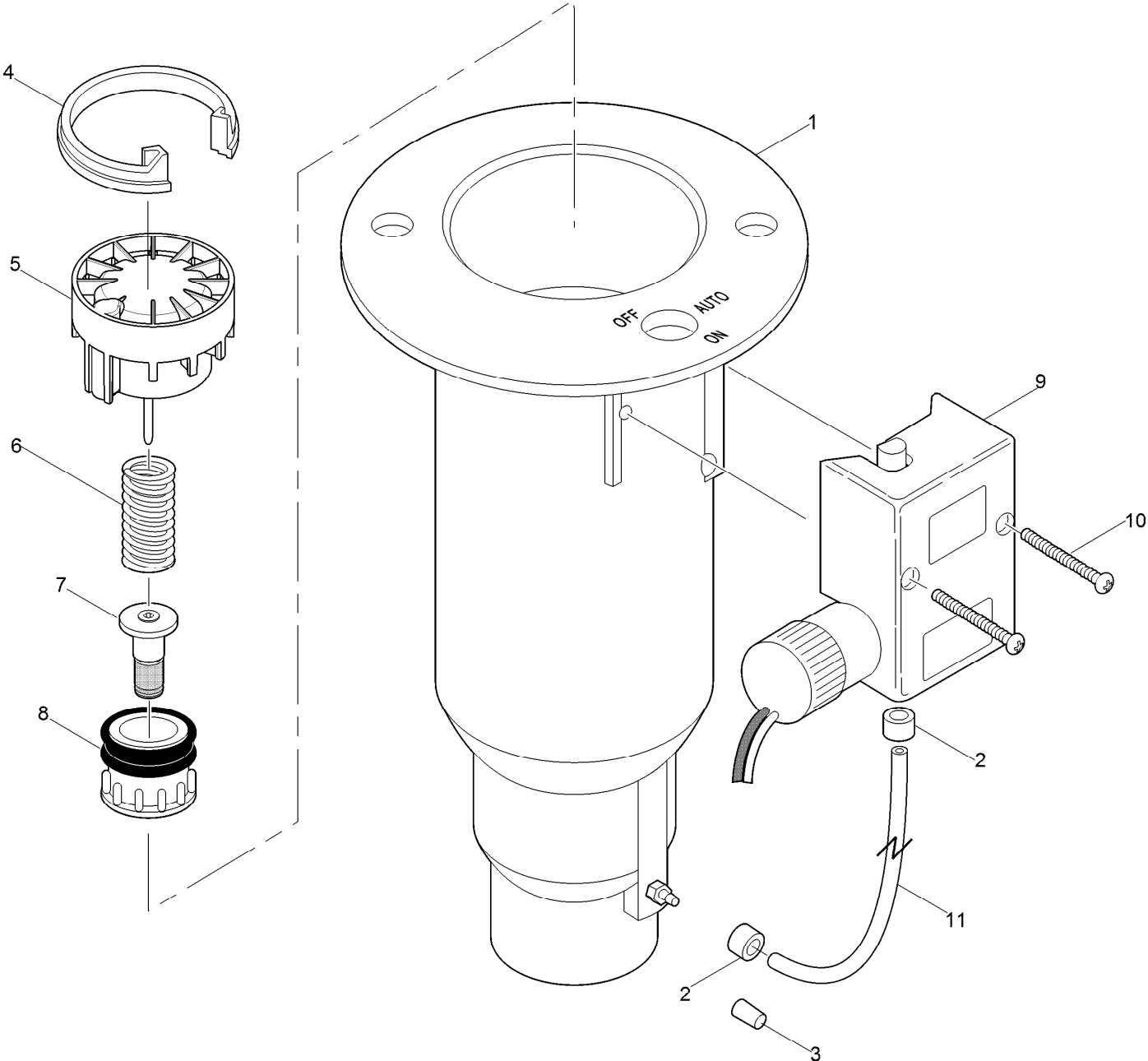
▶ Order Through Finished Goods Distribution System - Minneapolis

■ SERVICE TOOLS

◆ Not serviced separately

○ See Golf Sprinkler Body Assembly Section.

Golf Sprinkler Body, 1" - 600 and 700 Series



Golf Sprinkler Body, 1" - 600 and 700 Series (continued)

<i>Ref.</i>	<i>Part Number</i>	<i>Qty.</i>	<i>Description</i>	<i>Ref.</i>	<i>Part Number</i>	<i>Qty.</i>	<i>Description</i>
1	35-9421		Electric W/O Vih, Npt ▲	5	9-1485	1	Cylinder Assy., No & Com
1	89-4128		Electric W/O Vih, Ribless, Npt ▲+	5	9-1487	1	Cylinder Assy., EI & NC
1	102-0083		Electric W/Vih, 720, Npt (Includes Items 1, 4-8) ▲	6	3-2633	1	Spring, Valve, No, EI & NC
1	35-9418		Hydraulic No W/O Vih, Npt ▲	6	89-5821	1	Spring, Valve, Com
1	89-4126		Hydraulic No W/O Vih, Ribless, Npt (Includes Items 1-3) ▲+	7	35-9646	1	Filter Assy., Metering, EI, NC
1	35-9453		Com W/O Vih, Npt (Includes Items 1, 2 & 11) ▲	8	89-8082	1	Piston Assy., Hyd., No
1	89-4127		Com W/O Vih, Ribless, Npt (Includes Items 1, 2 & 11) ▲+	8	89-1054	1	Piston Assy., EI & NC (Includes Item 7)
1	35-9386		Electric W/O Vih, BSP ◆	8	102-0081	1	Piston Assy., EI (720 Only) (Includes Item 7)
1	102-0084		Electric W/Vih, 720, BSP (Includes Items 1, 4-8) ◆	9		1	Pilot Valve Assy. (See Pilot Valve Assembly Section) ○
1	89-8635		1" Acme Body Style, Electric W/O Vih □	10	3-2696	2	Screw-Tap, #8
1	102-0085		1" Acme Body Style, Electric W/Vih, 720 (Includes Items 1, 4-8) □	11	9-2622	1	Tube, 1/4, 6.5", EI
2	900-40	1	Retainer, Tube ▶	11	9-1876	1	Tube, 1/4, 12", Com
3	89-8157	1	Cap, 1/4		89-1046		Valve Assy., 1.0" Hyd., No (Includes Items 6-8) ●■
4	89-4702	1	Snap Ring, Valve		89-1048		Valve Assy., EI, NC (Includes Items 6-9) ●■
					102-0082		Valve Assy., EI, Low Flow (Includes Items 6-9) ●■
					9-6002	1	Adapter-Tubing, Threaded, 1/4 ●■

● SERVICE ITEMS

▲ 1 Inch NPT Body Style

□ 1 Inch ACME Body Style

▶ Order Through Finished Goods Distribution System - Minneapolis

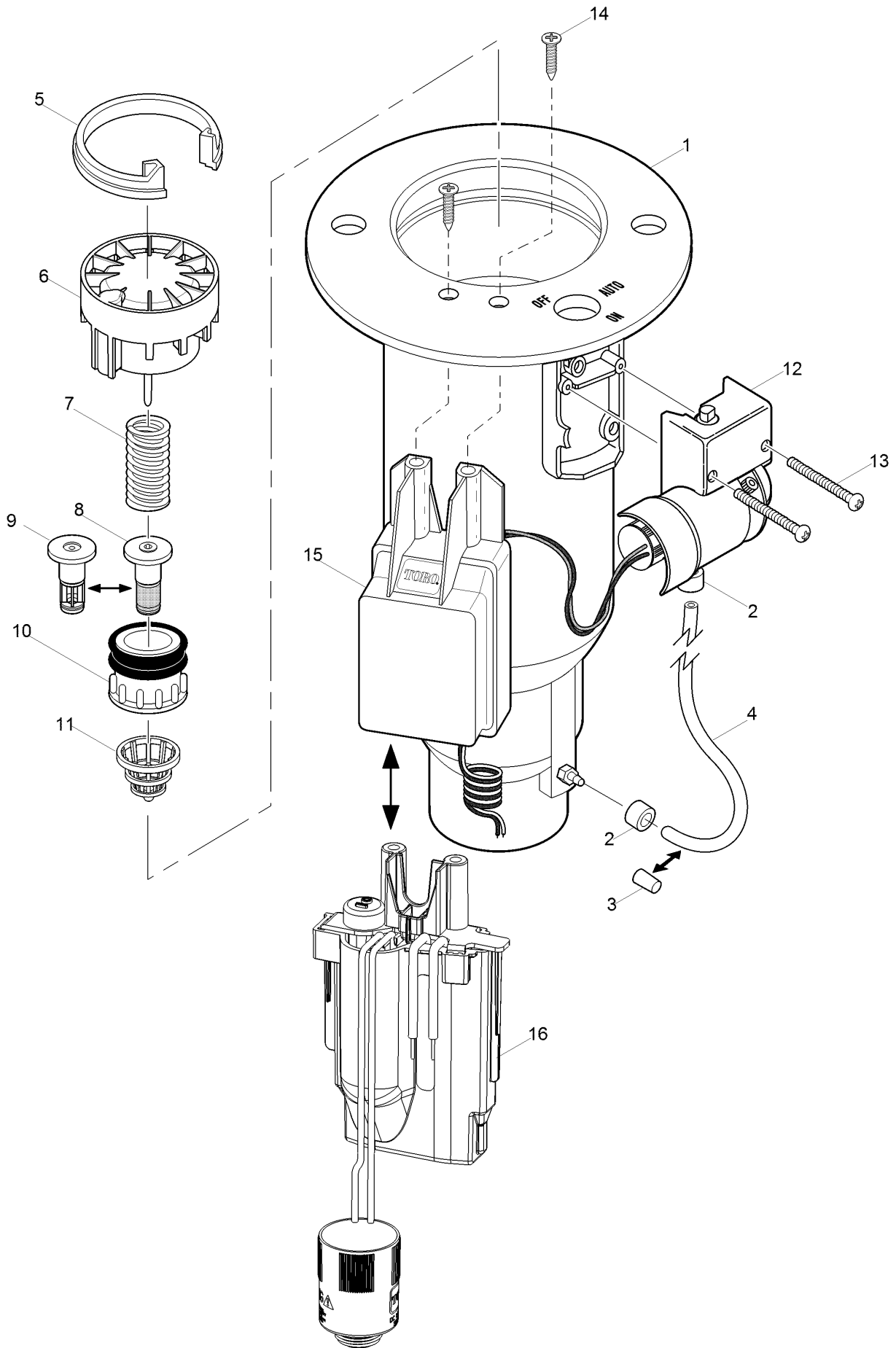
✦ Ribless bodies are used with sprinklers manufactured prior to July 1993.

■ Not illustrated

◆ 1 Inch BSP Body Style

○ Not serviced separately

Golf Sprinkler Body, 1" - Flex, 800S and DT



Golf Sprinkler Body, 1" - Flex, 800S and DT (continued)

Ref.	Part Number	Qty.	Description	Ref.	Part Number	Qty.	Description
1	102-1090	1	Electric W/O Vih, Npt ▲	7	89-5821	1	Spring, Valve, Com
1	102-1084	1	Hydraulic No W/O Vih, Npt ▲	8	35-9646	1	Filter Assy., Metering, EI, NC
1	102-1078	1	Com W/O Vih, Npt (Includes Items 1, 2 & 4) ▲	9	102-6529	1	Filter Assy., Non-Metering, No/Com
1	118-1137	1	Body Assy., 1" Npt (For Decoder Equipped Models) ▲	10	89-1054	1	Piston Assy., EI & NC (Include Item 8)
1	102-1092	1	Electric W/O Vih, BSP ◆	11	102-0784	1	Rock Screen, 1 Inch
1	102-1080	1	Com W/O Vih, BSP (Includes Items 1, 2 & 4) ◆	12		1	Pilot Valve Assy. (See Pilot Valve Assembly Section) ○◆
1	118-1138	1	Body Assy., 1" BSP (For Gdc/Lsm Equipped Models) ◆	13	3-2696	2	Screw-Tap, #8
1	102-1094	1	1" Acme Body Style, Electric W/O Vih □	14	363-6396	2	Screw (For Gdc/Lsm Equipped Models)
1	102-1088	1	1" Acme Body Style, Hydraulic No W/O Vih □	15	DEC-ISP-1GB	1	Gdc Module W/O Solenoid, 1-Station, Golf Body
1	102-1082	1	1" Acme Body Style, Com W/O Vih (Includes Items 1, 2 & 4) □	15	118-0841SK	1	Gdc Module W/ Solenoid, 1-Station, Golf Body
1	118-1139	1	Body Assy., 1" Acme (For Decoder Equipped Models) □	16	118-7150SK	1	Lsm Module, Flx W/ Solenoid, 1-Station, Golf Body
2	900-40	2	Retainer, Tube †	16	LSM-1	1	Lsm Module, Flx W/O Solenoid, 1-Station, Golf Body
3	89-8157	1	Cap, 1/4	102-6313		1	Valve Assy., No (Includes Items 6, 7, 9 & 10) ●■
4	9-2623	1	Tube, 1/4, 8" EI	102-6312		1	Valve Assy., Com (Includes Items 6, 7, 9 & 10) ●■
4	9-1876	1	Tube, 1/4, 12", Com	102-0624		1	Valve Assy., 1 Inch, Electric (Includes Items 6, 7, 8 & 10) ●■
5	89-4702	1	Snap Ring, Valve				
6	102-0623	1	Cylinder Assy., EI & No/Com				
7	3-2633	1	Spring, Valve, No, EI & NC				

● SERVICE ITEMS

▲ 1 Inch NPT Body Style

□ 1 Inch ACME Body Style

◆ See Pilot Valve Assembly Section.

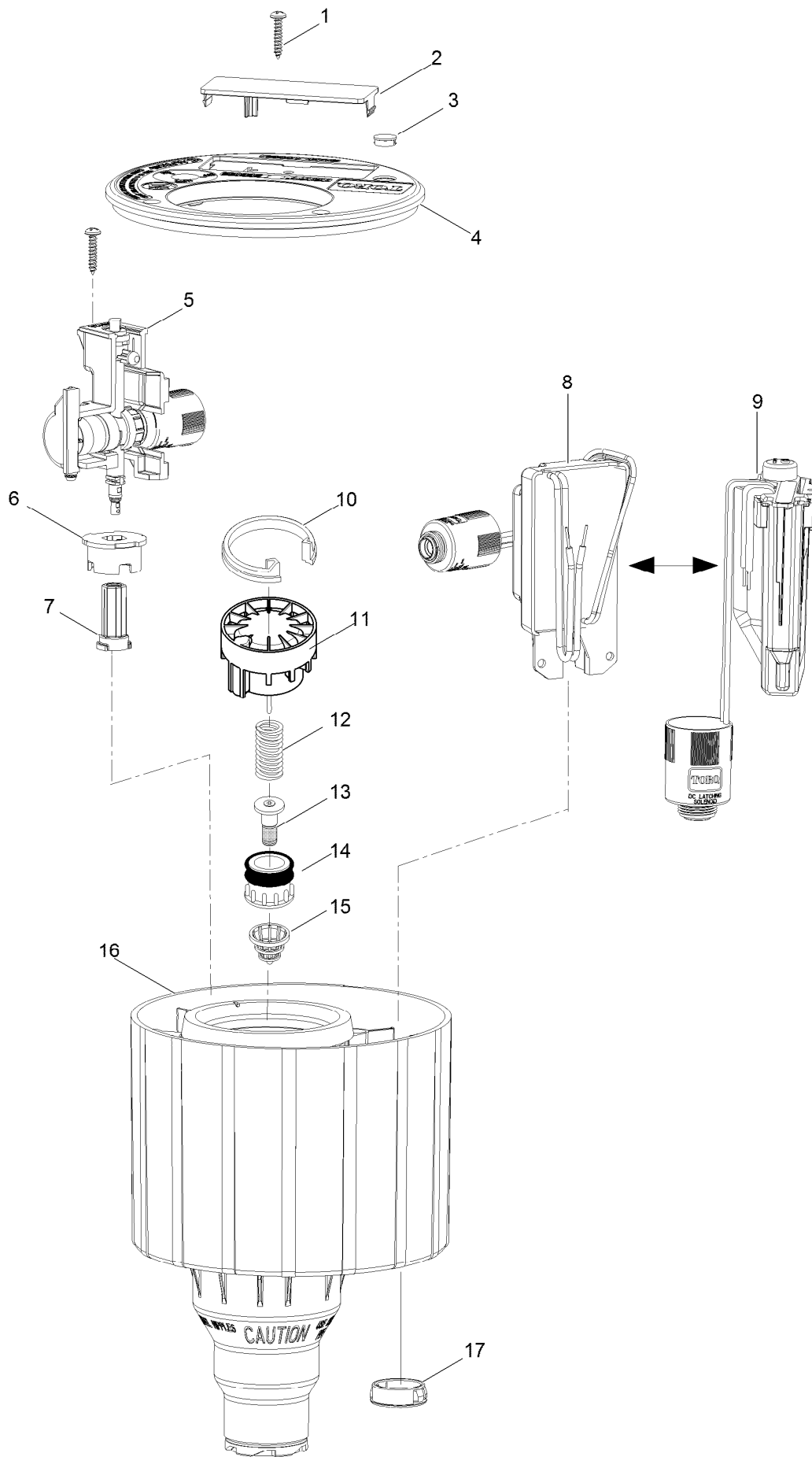
† Order Through Finished Goods Distribution System - Minneapolis

■ Not illustrated

◆ 1 Inch BSP Body Style

○ Not serviced separately

Golf Sprinkler Body, 1" - INFINITY Series



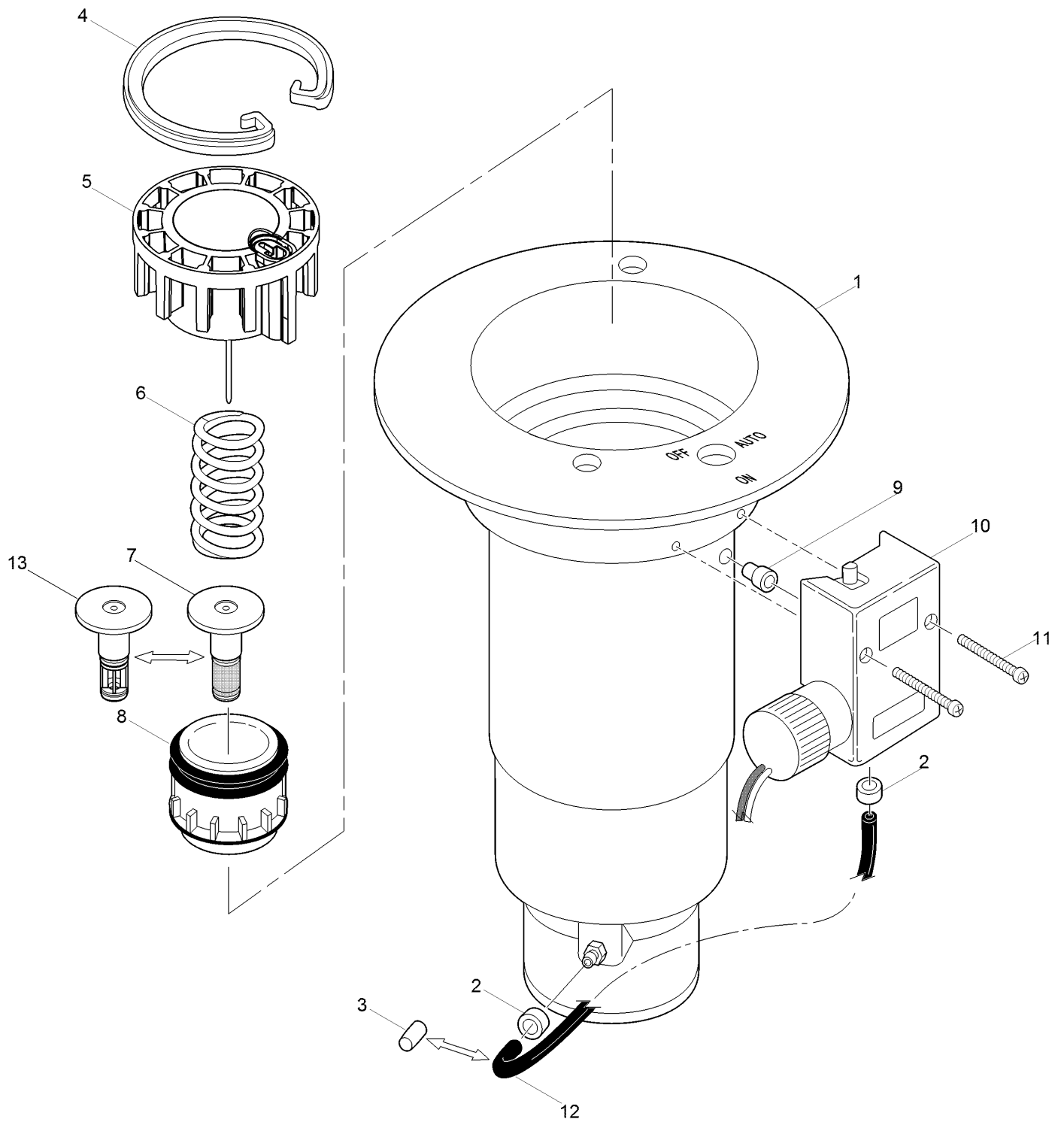
Golf Sprinkler Body, 1" - INFINITY Series (continued)

<i>Ref.</i>	<i>Part Number</i>	<i>Qty.</i>	<i>Description</i>	<i>Ref.</i>	<i>Part Number</i>	<i>Qty.</i>	<i>Description</i>
1	363-6875	1	Screw, Tap, 10-12 X 1.00	10	89-4702	1	Snap Ring, Valve
2	118-1840	1	Marker, Blank	11	102-0623	1	Cylinder Assy., EI & No/Com
3	118-5398	1	Window	12	3-2633	1	Spring, Valve, No, EI & NC
4	118-5401	1	Cover W/ Window (Includes Item 3)	13	35-9646	1	Filter Assy., Metering, EI, NC
4	118-1813	1	Cover W/O Window	14	89-1054	1	Piston Assy., EI & NC (Includes Item 13)
5		1	Pilot Valve Assy. (See Pilot Valve Assembly Section) ▲	15	102-0784	1	Rock Screen, 1
6	118-1815	1	Retainer, Check Valve	16	118-3031	1	Body, W/ Comp, 1 Inch Acme
7	118-1827	1	Check Flow Assy., Vih Communication	17	364-1164	1	Plug, Cable Access
8	118-0841SK	1	Gdc Module W/ Solenoid, 1-Station, Golf Body	118-3651		1	Wire Splice Kit (Includes 2 Gel Caps And 2 Wire Nuts)(Satellite Systems Only) ■●
8	DEC-ISP-1GB	1	Gdc Module W/O Solenoid, 1-Station, Golf Body	102-0624		1	Valve Assy., 1 Inch, Electric (Includes Items 11-14) ■●
9	118-7149SK	1	Lsm, 1-Station, Golf Body, Inf W/ Solenoid	118-1844		1	Valve Insertion Tool, 1 Inch ■●
9	LSM-1	1	Lsm Module, Inf W/O Solenoid, 1-Station, Golf Body				

● SERVICE ITEMS
▲ Not serviced separately

■ Not illustrated

Golf Sprinkler Body, 1.5" - 600 and 700 Series



Golf Sprinkler Body, 1.5" - 600 and 700 Series (continued)

<i>Ref.</i>	<i>Part Number</i>	<i>Qty.</i>	<i>Description</i>	<i>Ref.</i>	<i>Part Number</i>	<i>Qty.</i>	<i>Description</i>
1	3-3389	1	Electric W/O Vih, Npt ◆	6	3-3311	1	Spring-Valve, Com, Black
1	3-3343	1	Hydraulic No W/O Vih, Npt ◆	7	35-9645	1	Filter Assy., Metering, EI & NC
1	9-1257	1	Com W/O Vih, Npt (Includes Items 1, 2 And 12) ◆	8	102-6311	1	Piston Assy., Valve, No And Com
1	35-5362	1	Electric W/O Vih, BSP (Includes Items 1-3) □	8	102-5101	1	Piston Assy., EI (Includes Item 7)
1	35-5322	1	Com W/O Vih, BSP (Includes Items 1, 2 & 12) □	9	35-7663	1	Adapter, Pilot Valve To Body
1	35-5245	1	Hydraulic No W/O Vih, BSP □	10		1	Pilot Valve Assy. (See Pilot Valve Assembly Section) ▲
1	89-8646	1	Electric W/O Vih, Acme ○	11	3-2696	2	Screw-Tap, #8
1	89-8652	1	Com W/O Vih, Acme (Includes Items 1, 2 And 12) ○	12	9-2623	1	Tube, 1/4, 8" EI
2	900-40	1	Retainer, Tube ▶	12	9-1876	1	Tube, 1/4, 12", Com
3	89-8157	1	Cap, 1/4	13	102-6530	1	Filter Assy., Non-Metering, No/Com
4	3-3304	1	Snap Ring, Valve		102-6310	1	Valve Assy., No (Includes Items 5, 6, 8 And 13) ■●
5	9-1479	1	Cylinder ASM, No, Com And Drain Valve		102-6309	1	Valve Assy., Com (Includes Items 5, 6, 8 And 13) ■●
5	102-6142	1	Cylinder Assy., EI And No/Com		102-4003	1	Valve Assy., EI (Includes Items 5-8) ■●
6	102-6411	1	Spring, Valve, EI/No, Silver		9-6002	1	Adapter-Tubing, Threaded, 1/4 ■●

● SERVICE ITEMS

▲ Not serviced separately

□ 1.5 Inch BSP Body Style

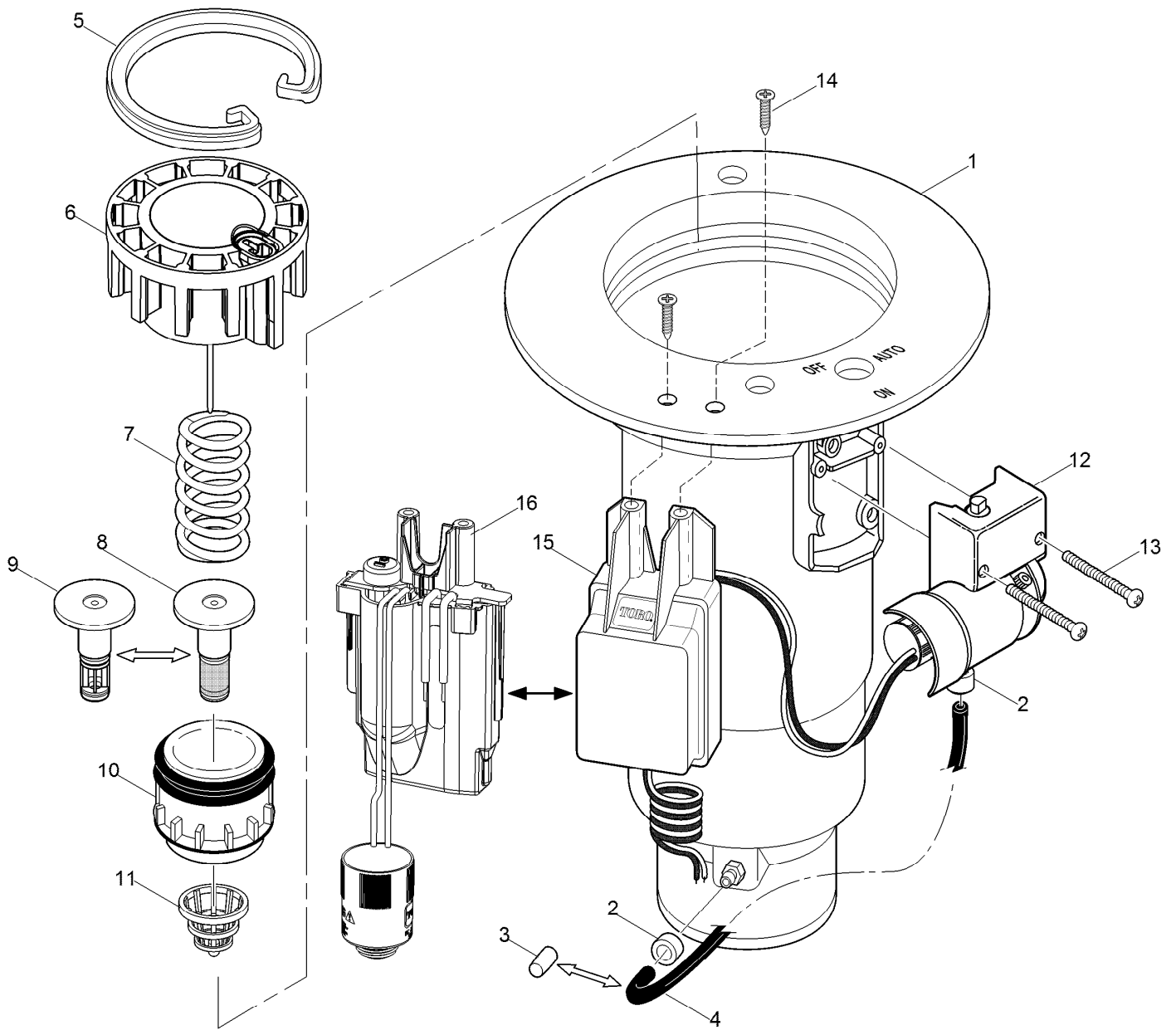
▶ Order Through Finished Goods Distribution System - Minneapolis

■ Not illustrated

◆ 1.5 Inch NPT Body Style

○ 1.5 Inch ACME Body Style

Golf Sprinkler Body, 1.5" - Flex, 800S and DT



Golf Sprinkler Body, 1.5" - Flex, 800S and DT (continued)

Ref.	Part Number	Qty.	Description	Ref.	Part Number	Qty.	Description
1	102-1149	1	Electric W/O Vih, Npt ♦	9	102-6530	1	Filter Assy., Non-Metering, No/Com
1	102-1143	1	Hydraulic No W/O Vih, Npt ♦	10	102-6311	1	Piston Assy., Valve, No And Com
1	102-1151	1	Electric W/O Vih, BSP (Includes Items 1 And 2) □	10	102-5101	1	Piston Assy., El
1	102-1139	1	Com W/O Vih (Includes Items 1, 2 & 4) □	11	102-6065	1	Rock Screen, 1.5 Inch
1	102-1145	1	Hydraulic No W/O Vih, BSP □	12		1	Pilot Valve Assy., (See Pilot Valve Assembly Section.) ▶▲
1	118-1135	1	Body Assy., 1.5" BSP (For Gdc/Lsm Equipped Models) □	13	3-2696	2	Screw-Tap, #8
1	102-1153	1	Electric W/O Vih, Acme ○	14	363-6396	2	Screw (For Gdc/Lsm Equipped Models)
1	118-1136	1	Body Assy., 1.5" Acme (For Decoder Equipped Models) ○	15	DEC-ISP-1GB	1	Gdc Module W/O Solenoid
2	900-40	2	Retainer, Tube †	15	118-0841SK	1	Gdc Module W/ Solenoid, 1-Station, Golf Body
3	89-8157	1	Cap, 1/4	16	118-7150SK	1	Lsm Module, Flx W/ Solenoid, 1-Station, Golf Body
4	9-2623	1	Tube, 1/4, 8" El	16	118-4759SK	1	Lsm, 1-Station, Golf Body, Flx, W/O Solenoid
4	9-2624	1	Tube, 1/4, 14" Com	102-6309		1	Valve Assy., Com (Includes Items 6, 7, 9 And 10) ●■
5	3-3304	1	Snap Ring, Valve	102-6310		1	Valve Assy., No (Includes Items 6, 7, 9 And 10) ●■
6	102-6142	1	Cylinder Assy., El And No/Com	102-4003		1	Valve Assy., 1.5" Elec. (Includes Items 6, 7, 8 And 10) ●■
7	102-6411	1	Spring, Valve, El/No, Silver				
7	3-3311	1	Spring-Valve, Com, Black				
8	35-9645	1	Filter Assy., Metering, El & NC				

● SERVICE ITEMS

▲ Not serviced separately

□ 1.5 Inch BSP Body Style

▶ See Pilot Valve Assembly Section.

† Order Through Finished Goods Distribution System - Minneapolis

■ Not illustrated

♦ 1.5 Inch NPT Body Style

○ 1.5 Inch ACME Body Style

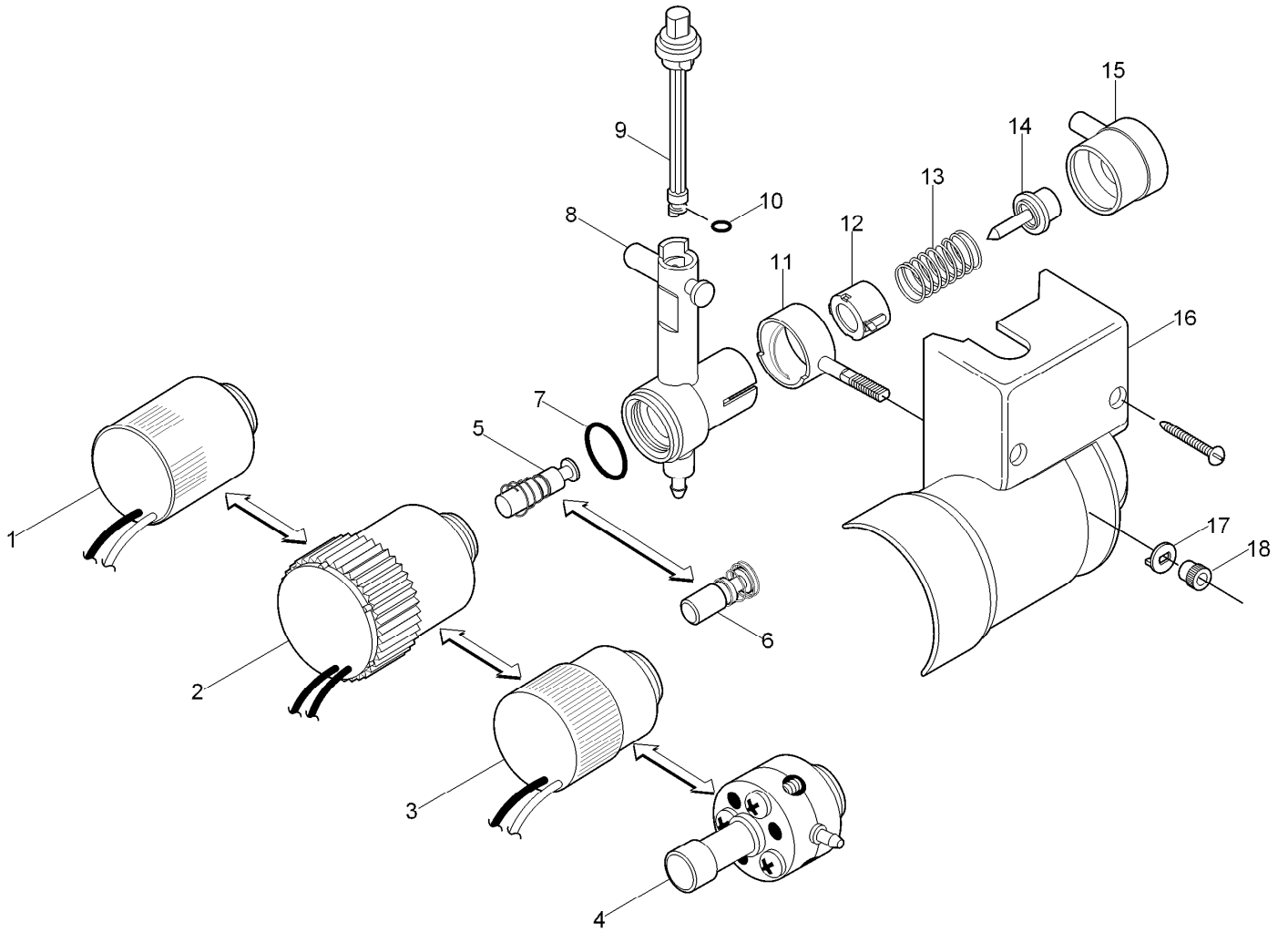
Golf Sprinkler Body, 1.5" - INFINITY Series (continued)

<i>Ref.</i>	<i>Part Number</i>	<i>Qty.</i>	<i>Description</i>	<i>Ref.</i>	<i>Part Number</i>	<i>Qty.</i>	<i>Description</i>
1	363-6875	1	Screw, Tap, 10-12 X 1.00	10	3-3304	1	Snap Ring, Valve
2	118-1840	1	Marker, Blank	11	102-6142	1	Cylinder Assy., EI And No/Com
3	118-5398	1	Window	12	102-6411	1	Spring, Valve, EI/No, Silver
4	118-5401	1	Cover W/ Window (Includes Item 3)	13	35-9645	1	Filter Assy., Metering, EI & NC
4	118-1813	1	Cover W/O Window	14	102-5101	1	Piston Assy., EI
5		1	Pilot Valve Assy. (See Pilot Valve Assembly Section.) ▲	15	102-6065	1	Rock Screen, 1.5 Inch
6	118-1815	1	Retainer, Check Valve	16	118-3030	1	Body, W/ Comp, 1.5 Inch
7	118-1827	1	Check Flow Assy., Vih Communication	17	364-1164	1	Plug, Cable Access
8	118-0841SK	1	Gdc Module W/ Solenoid, 1-Station, Golf Body	118-3651		1	Wire Splice Kit (Includes 2 Gel Caps And 2 Wire Nuts)(Satellite Systems Only) ■●
8	DEC-ISP-1GB	1	Gdc Module W/O Solenoid, 1-Station, Golf Body	102-4003		1	Valve Assy., 1.5 Inch, Electric (Includes Items 11-14) ■●
9	118-7149SK	1	Lsm, 1-Station, Golf Body, Inf W/ Solenoid	118-1843		1	Valve Insertion Tool, 1.5 Inch ■●
9	LSM-1	1	Lsm Module, Flx W/O Solenoid, 1-Station, Golf Body				

● SERVICE ITEMS
▲ Not serviced separately

■ Not illustrated

Pilot Valve, Select Pressure, 2004-03/2019

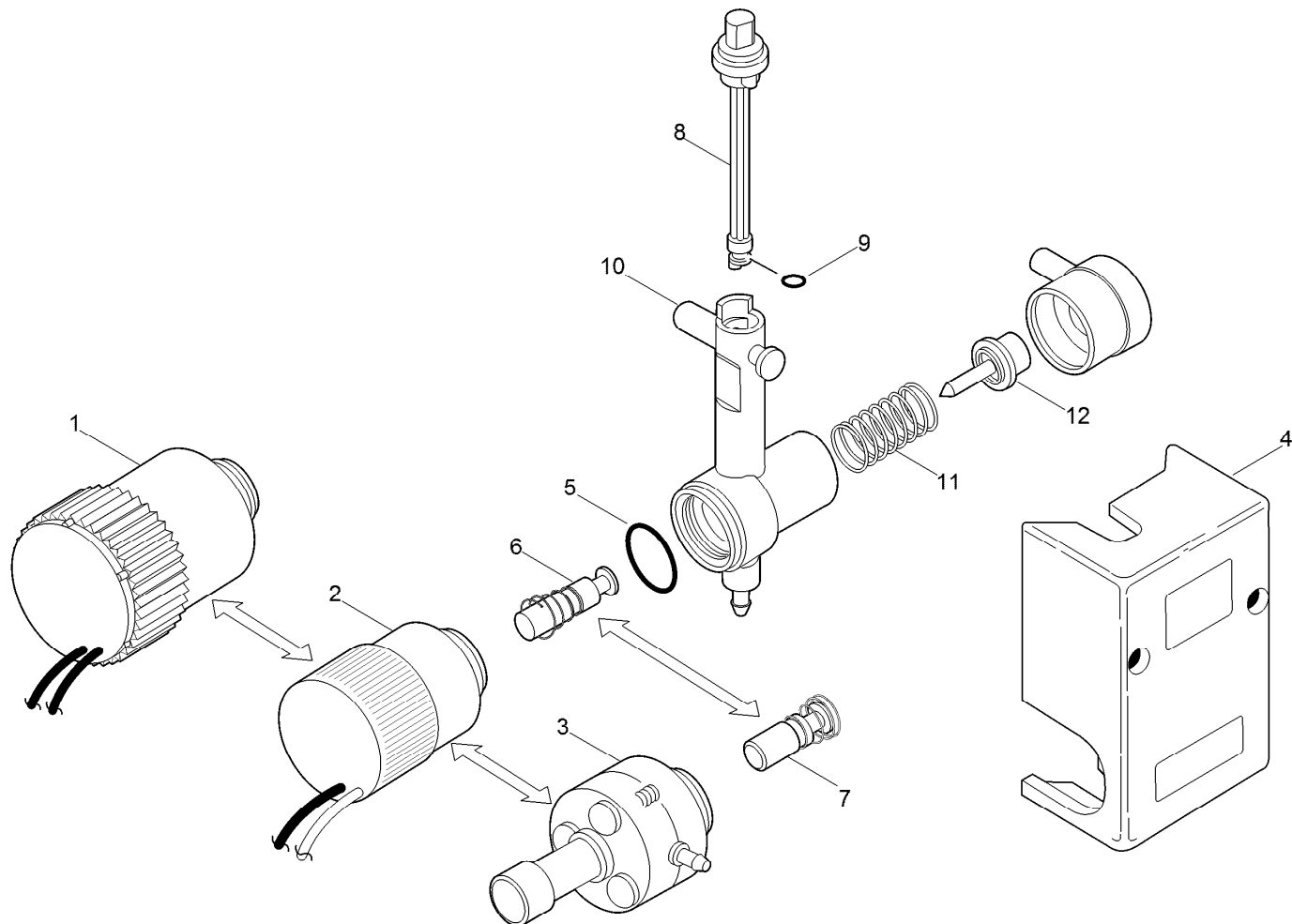


Pilot Valve, Select Pressure, 2004-03/2019 (continued)

Ref.	Part Number	Qty.	Description	Ref.	Part Number	Qty.	Description
1	102-2709	1	Solenoid Assy., 24Vdc, Latching (Red W/ White Stripe And Black)				
2	102-3443	1	Solenoid-Low Wattage, W/Surge Protection (Black Wires)		118-6168	1	Pilot Valve Assy., Sealed, Selectable Pressure W/ Standard Watt And Surge Solenoid (Includes Items 3, 5, 7, 8 [118-6608], 9 [102-4831] And 10-18. ■●
2	102-3444	1	Solenoid-Low Wattage, W/Surge Protection, Nickel Plated (Red Wires)		118-6736	1	Pilot Valve Assy., Sealed, Selectable Pressure W/ Normally Closed Actuator (Includes Items 4, 6-8 [118-6608], 9 [102-4831] And 10-18. ■●
2	102-4979	1	Solenoid-Standard Wattage W/Surge Protection (Yellow Wires)				
3	118-0248	1	Solenoid, Standard Wattage Series (Red & Black Wires)		118-6166	1	Pilot Valve Assy., Sealed, Selectable Pressure W/ Low Watt/High Surge Nickel Plated Solenoid (Includes Items 2 [102-3444], 5, 7, 8 [118-6608], 9 [102-4831] And 10-18. ■●
4	89-6005	1	Adapter-Pilot Valve, NC				
5	102-7690	1	Plunger Assy., EI				
6	89-6003	1	Plunger ASM, NC				
7	360-0220	1	O-Ring (0.070 X 0.551 X 0.691) (As568-015)				
8	102-4747	1	Body Assy., Pilot Valve, Beige		118-6165	1	Pilot Valve Assy., Sealed, Selectable Pressure W/ Standard Watt/High Surge Solenoid (Includes Items 2 [102-4979], 5, 7, 8 [118-6608], 9 [102-4831] And 10-18. ■●
8	118-6163	1	Body Assy., Pilot Valve, Blue Selector Cam, Black (Includes Item 10)				
9	102-0343	1	Selector Cam, Black (Includes Item 10)				
9	102-4831	1	Selector Cam, Red (Includes Item 10)		118-6164	1	Pilot Valve Assy., Sealed, Selectable Pressure W/ DC Latching Solenoid (Includes Items 1, 5, 7, 8 [118-6608], 9 [102-4831] And 10-18. ■●
10	1-2035	1	O-Ring, EI, Pr And Cr (0.070" X 0.114" X 0.254") (As568-006)				
11	102-2237	1	Adjuster, PSI		118-6167	1	Pilot Valve Assy., Sealed, Selectable Pressure Less Solenoid (Includes Items 5, 7, 8 [118-6608], 9 [102-4831] And 10-18.) ■●
12	102-2236	1	Traveling Nut				
13	102-2235	1	Spring				
14	102-2469	1	Piston				
15	102-2473	1	Diaphragm Assy.		118-6163	1	Pilot Valve Assy., Sealed, Selectable Pressure, Less Solenoid, Auto-On-Off (Includes Items 5, 7, 8 [118-6737], 9 [102-0343] And 10-18. ■●
16	118-7180	1	Housing, Pilot Valve				
17	102-2606	1	Adjustment Locator				
18	363-4441	1	Nut, Adjuster				
	118-3747	1	Pilot Valve Assy., Sealed, Selectable Pressure W/ Low Watt/High Surge Solenoid (Includes Items 2[102-3443], 5, 7, 8 [118-6608], 9 [102-4831] And 10-18. ■●		118-0841SK	1	Gdc Module W/ Solenoid, 1-Station, Golf Body ■●
					118-7150SK	1	Lsm Module, Flx W/ Solenoid, 1-Station, Golf Body ■●

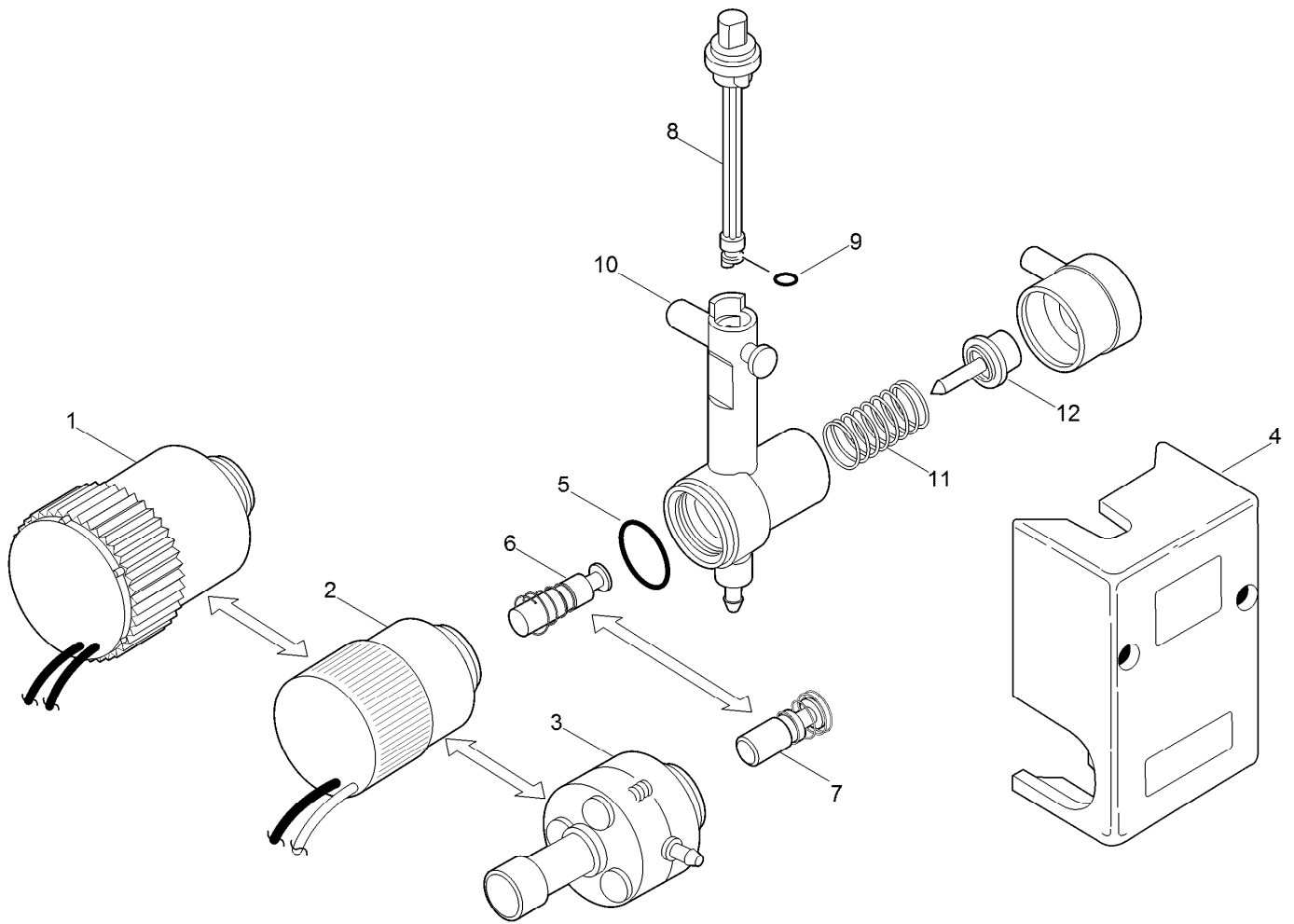
● SERVICE ITEMS

■ Not illustrated



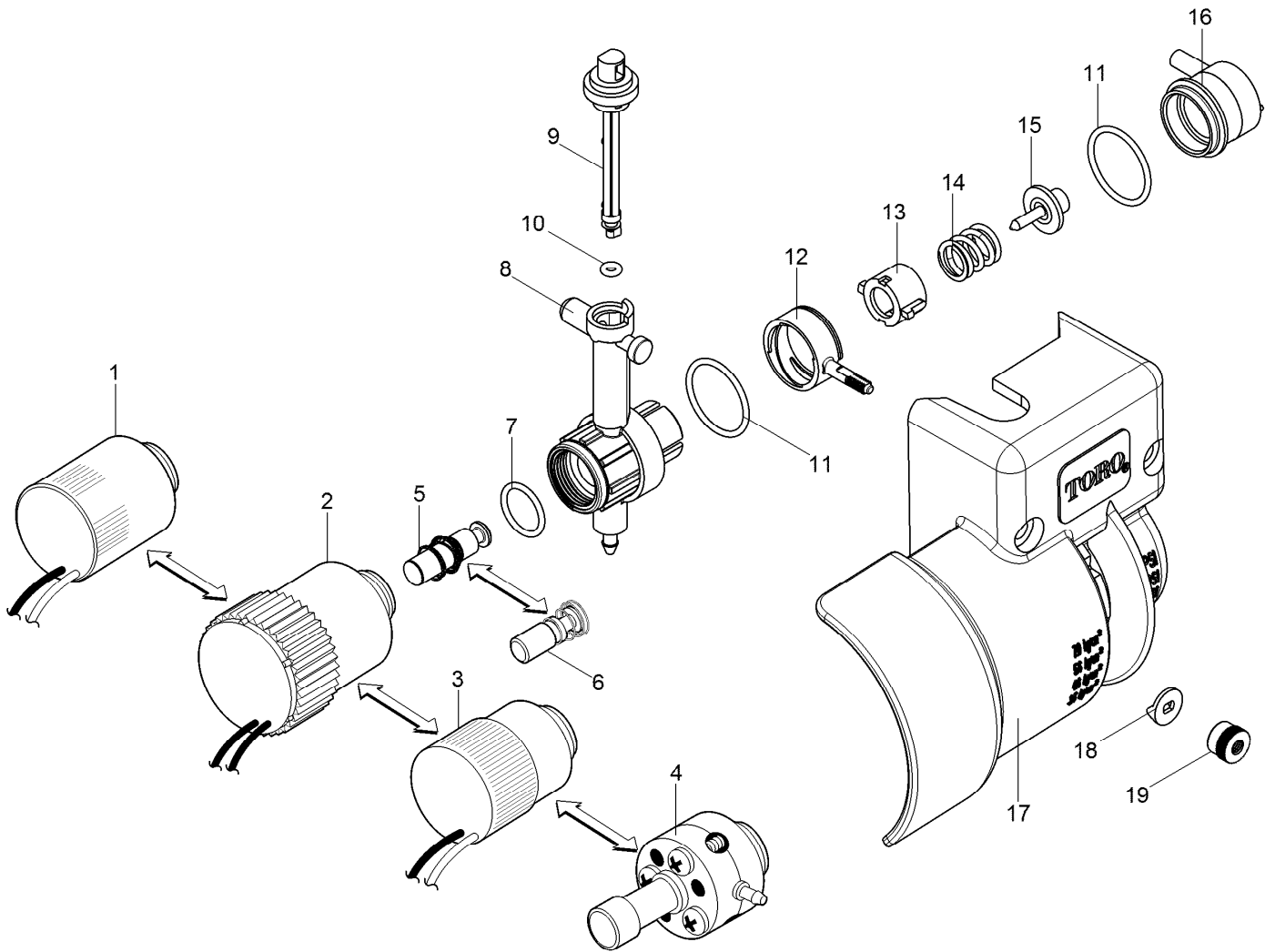
Pilot Valve, Fixed Pressure - 600 and 700 Series

<i>Ref.</i>	<i>Part Number</i>	<i>Qty.</i>	<i>Description</i>
1	102-3443	1	Solenoid-Low Wattage, W/Surge Protection (Black Wires)
1	102-3444	1	Solenoid-Low Wattage, W/Surge Protection, Nickel Plated (Red Wires)
1	102-2709	1	Solenoid Assy., 24Vdc, Latching (Red W/ White Stripe And Black)
2	118-0248	1	Solenoid, Standard Wattage Series (Red & Black Wires)
3	89-6005	1	Adapter-Pilot Valve, NC
4	89-0001	1	Housing-Pilot Valve
5	360-0220	1	O-Ring (0.070 X 0.551 X 0.691) (As568-015)
6	102-7690	1	Plunger Assy., EI
7	89-6003	1	Plunger ASM, NC
8	102-0343	1	Selector Cam, Black (Includes Item 9)
9	1-2035	1	O-Ring, EI, Pr And Cr (0.070" X 0.114" X 0.254") (As568-006)
10	118-6163	1	Body Assy., Pilot Valve (Cross-Reference W/ New Pilot Valve Assy., W/O Solenoid)
11	35-9972	1	Spring, 80 Psi, Red
11	35-9973	1	Spring, 100 Psi, Blue
12	89-0029	1	Piston



Pilot Valve, Fixed Pressure - 600 and 700 Series (continued)

Pilot Valve, FLEX, Select Pressure, 04/2019-Present

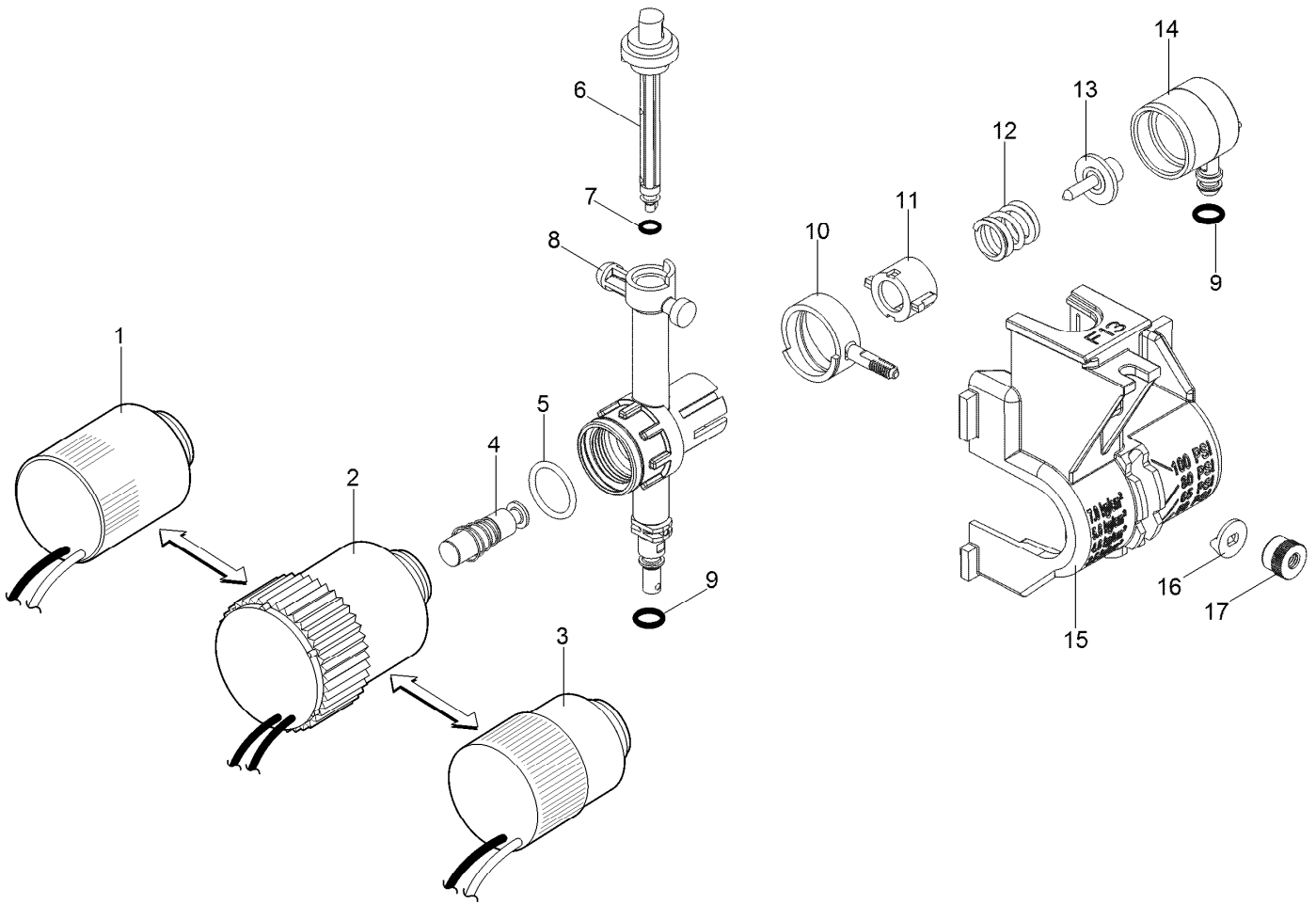


Pilot Valve, FLEX, Select Pressure, 04/2019-Present (continued)

Ref.	Part Number	Qty.	Description	Ref.	Part Number	Qty.	Description
1	102-2709	1	Solenoid Assy., 24Vdc, Latching (Red W/ White Stripe And Black)	118-6168	1	1	Pilot Valve Assy., Sealed, Selectable Pressure W/ Standard Watt & Surge Solenoid (Includes Items 3, 5, 7, 8 [118-6608], 9 [102-4831] And 10-19. ■●
2	102-3443	1	Solenoid-Low Wattage, W/Surge Protection (Black Wires)	118-6736	1	1	Pilot Valve Assy., Sealed, Selectable Pressure W/ Normally Closed Actuator (Includes Items 4, 6-8 [118-6608], 9 [102-4831] And 10-19. ■●
2	102-3444	1	Solenoid-Low Wattage, W/Surge Protection, Nickel Plated (Red Wires)	118-6166	1	1	Pilot Valve Assy., Sealed, Selectable Pressure W/ Low Watt/High Surge, Nickel Plated Solenoid (Includes Items 2 [102-3444], 5, 7, 8 [118-6608], 9 [102-4831] And 10-19. ■●
2	102-4979	1	Solenoid-Standard Wattage W/Surge Protection (Yellow Wires)	118-6165	1	1	Pilot Valve Assy., Sealed, Selectable Pressure W/ Standard Watt/High Surge Solenoid, (Includes Items 2 [102-4979], 5, 7, 8 [118-6608], 9 [102-4831] And 10-19. ■●
3	118-0248	1	Solenoid, Standard Wattage Series (Red & Black Wires)	118-6164	1	1	Pilot Valve Assy., Sealed, Selectable Pressure W/ DC Latching Solenoid (Includes Items 1, 5, 7, 8 [118-6608], 9 [102-4831] And 10-19. ■●
4	89-6005	1	Adapter-Pilot Valve, NC	118-6167	1	1	Pilot Valve Assy., Sealed, Selectable Pressure Less Solenoid (Includes Items 5, 7, 8 [118-6608], 9 [102-4831] And 10-19.) ■●
5	102-7690	1	Plunger Assy., EI	118-6163	1	1	Pilot Valve Assy., Sealed, Selectable Pressure Less Solenoid, Auto-On-Off (Includes Items 5, 7, 8 [118-6737], 9 [102-0343] And 10-19. ■●
6	89-6003	1	Plunger ASM, NC				
7	360-0220	1	O-Ring (0.070 X 0.551 X 0.691) (As568-015)				
8	118-6608	1	Body Assy., Pilot Valve, Beige				
8	118-6737	1	Body Assy., Pilot Valve, Blue, Auto-On-Off				
9	102-0343	1	Selector Cam, Black (Includes Item 10)				
9	102-4831	1	Selector Cam, Red (Includes Item 10)				
10	1-2035	1	O-Ring, EI, Pr And Cr (0.070" X 0.114" X 0.254") (As568-006)				
11	102-5978	2	O-Ring, Nozzle Housing				
12	118-3746	1	Adjuster, PSI				
13	118-6317	1	Traveling Nut				
14	102-2235	1	Spring				
15	102-2469	1	Piston				
16	118-3743	1	Diaphragm Assy.				
17	118-7180	1	Housing, Pilot Valve				
18	102-2606	1	Adjustment Locator				
19	363-4441	1	Nut, Adjuster				
	118-3747	1	Pilot Valve Assy., Sealed, Selectable Pressure W/ Low Watt/High Surge Solenoid (Includes Items 2 [102-3443], 5, 7, 8 [118-6608], 9 [102-4831] And 10-19. ■●				

● SERVICE ITEMS

■ Not illustrated

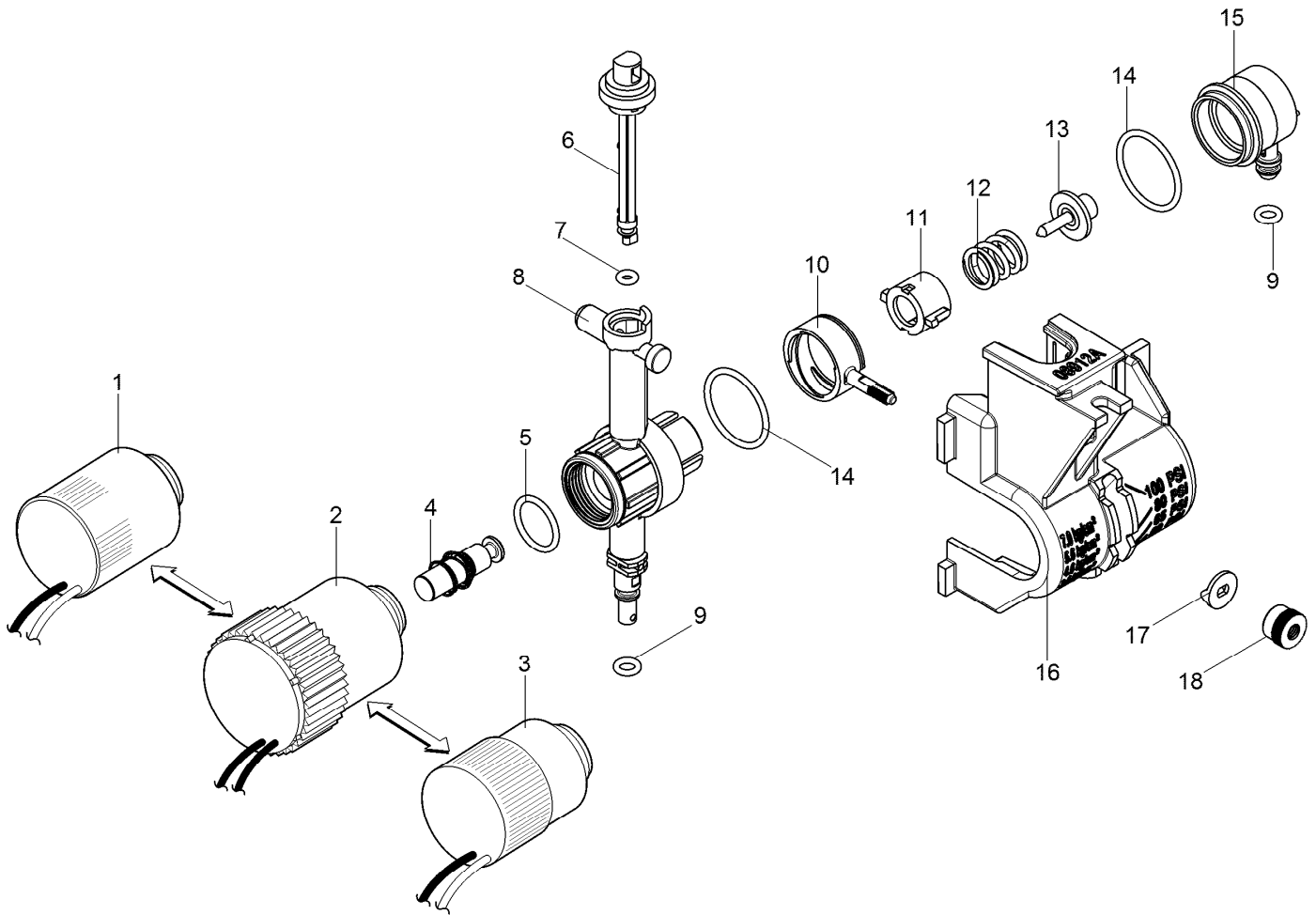


Pilot Valve, INFINITY Series, 2014-7/2019

Ref.	Part Number	Qty.	Description	Ref.	Part Number	Qty.	Description
1	102-2709	1	Solenoid Assy., 24Vdc, Latching (Red W/ White Stripe And Black)	10	102-2237	1	Adjuster, PSI
2	102-3443	1	Solenoid-Low Wattage, W/Surge Protection (Black Wires)	11	102-2236	1	Traveling Nut
2	102-3444	1	Solenoid-Low Wattage, W/Surge Protection, Nickel Plated (Red Wires)	12	102-2235	1	Spring
2	102-4979	1	Solenoid-Standard Wattage W/Surge Protection (Yellow Wires)	13	102-2469	1	Piston
3	118-0248	1	Solenoid, Standard Wattage Series (Red & Black Wires)	14	118-1825	1	Diaphragm Assy.
4	102-7690	1	Plunger Assy., EI	15	118-7181	1	Housing, Pilot Valve, Infinity
5	360-0220	1	O-Ring (0.070 X 0.551 X 0.691) (As568-015)	16	102-2606	1	Adjustment Locator
6	102-4831	1	Selector Cam, Red (Includes Item 7)	17	363-4441	1	Nut, Adjuster
7	1-2035	1	O-Ring, EI, Pr And Cr (0.070	118-7184	1	Pilot Valve, W/ Spike-Guard Solenoid ■●	
8	118-3711	1	Body Assy., Pilot Valve	118-6520	1	Pilot Valve W/O Solenoid ■●	
9	2-9654	2	O-Ring	118-6521	1	Pilot Valve W/ Nickel Plated Spike-Guard Solenoid ■●	
				118-6522	1	Pilot Valve W/ DC Latching Solenoid ■●	
				118-6523	1	Pilot Valve W/ 600/700 Solenoid ■●	
				118-0841SK	1	Gdc Module W/ Solenoid, 1-Station, Golf Body ■●	
				118-7149SK	1	Lsm, 1-Station, Golf Body, Inf W/ Solenoid ■●	

● SERVICE ITEMS

■ Not illustrated



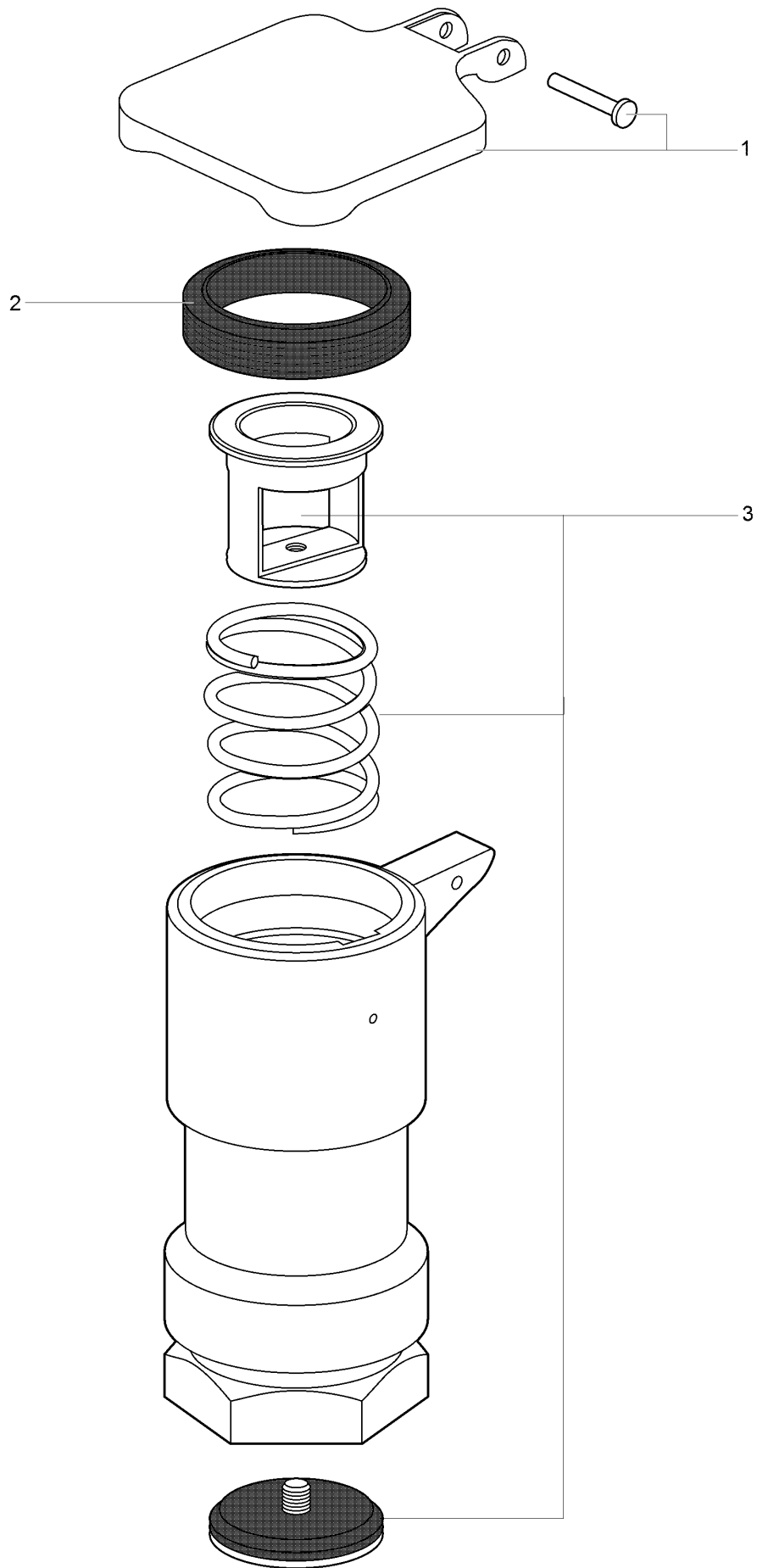
Pilot Valve, INFINITY, 07/2019-Present

Ref.	Part Number	Qty.	Description	Ref.	Part Number	Qty.	Description
1	102-2709	1	Solenoid Assy., 24Vdc, Latching (Red W/ White Stripe And Black)	10	118-3746	1	Adjuster, PSI
2	102-3443	1	Solenoid-Low Wattage, W/Surge Protection (Black Wires)	11	118-6317	1	Traveling Nut
2	102-3444	1	Solenoid-Low Wattage, W/Surge Protection, Nickel Plated (Red Wires)	12	102-2235	1	Spring
2	102-4979	1	Solenoid-Standard Wattage W/Surge Protection (Yellow Wires)	13	102-2469	1	Piston
3	118-0248	1	Solenoid, Standard Wattage Series (Red & Black Wires)	14	102-5978	2	O-Ring, Nozzle Housing
4	102-7690	1	Plunger Assy., EI	15	118-4502	1	Diaphragm Assy.
5	360-0220	1	O-Ring (0.070 X 0.551 X 0.691) (As568-015)	16	118-7181	1	Housing, Pilot Valve, Infinity
6	102-4831	1	Selector Cam, Red (Includes Item 7)	17	102-2606	1	Adjustment Locator
7	1-2035	1	O-Ring, EI, Pr And Cr (0.070)	18	363-4441	1	Nut, Adjuster
8	118-6609	1	Body Assy., Pilot Valve		118-7184	1	Pilot Valve, W/ Spike-Guard Solenoid ■●
9	2-9654	2	O-Ring		118-6520	1	Pilot Valve W/O Solenoid ■●
					118-6521	1	Pilot Valve W/ Nickel Plated Spike-Guard Solenoid ■●
					118-6522	1	Pilot Valve W/ DC Latching Solenoid ■●
					118-6523	1	Pilot Valve W/ 600/700 Solenoid ■●
					118-0841SK	1	Gdc Module W/ Solenoid, 1-Station, Golf Body ■●
					118-7149SK	1	Lsm, 1-Station, Golf Body, Inf W/ Solenoid ■●

● SERVICE ITEMS

■ Not illustrated

Quick Coupler



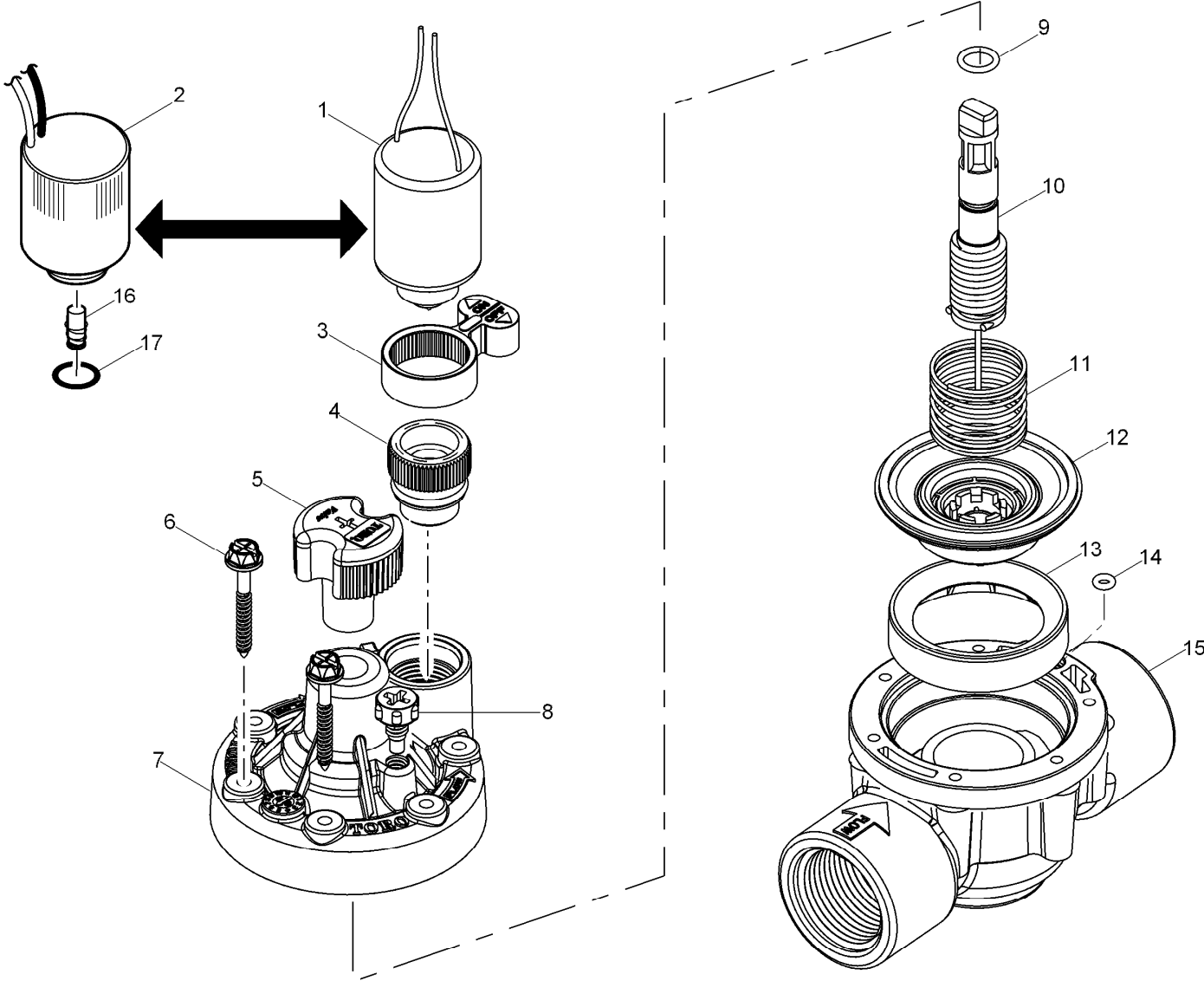
Quick Coupler (continued)

<i>Ref.</i>	<i>Part Number</i>	<i>Qty.</i>	<i>Description</i>	<i>Ref.</i>	<i>Part Number</i>	<i>Qty.</i>	<i>Description</i>
1	474LIDKITSS	1	Kit, Lid, 1 Inch, Stainless Steel, Non-Locking ■	3	475BODYKIT	1	Kit, Body, 1.25 Inch, (Includes Valve Assy. And Item 2 Key Seal) ■
1	474LIDKITV	1	Kit, Lid, 1 Inch, Yellow, Non-Locking ■	3	476BODYKIT	1	Kit, Body, 1.5 Inch, (Includes Valve Assy. And Item 2 Key Seal) ■
1	474LIDKITVL	1	Kit, Lid, 1 Inch, Yellow, Locking ■	463-01		1	Key, 473Qcvx, 0.5 Inch F X 0.75 Inch M ●■
1	474LIDKITEL	1	Kit, Lid, 1 Inch, Lavender (Effluent), Locking ■	464-01		1	Key, 474Qcvx, 0.75 Inch F X 1 Inch M ●■
1	475LIDKITSS	1	Kit, Lid, 1.25 Inch, Stainless Steel, Non-Locking ■	464-02		1	Key, 474Qcvx, 1 Inch F ●■
1	475LIDKITV	1	Kit, Lid, 1.25 Inch, Yellow, Non-Locking ■	464-03		1	Key, Acme Qcvx, 0.75 Inch F X 1 Inch M ●■
1	475LIDKITEL	1	Kit, Lid, 1.25 Inch, Lavender (Effluent), Locking ■	465-01		1	Key, 475Qcvx, 0.75 Inch F X 1 Inch M ●■
1	476LIDKITSS	1	Kit, Lid, 1.5 Inch, Stainless Steel, Non-Locking ■	466-01		1	Key, 476Qcvx, 1.25 Inch F X 1.5 Inch M ●■
1	476LIDKITV	1	Kit, Lid, 1.5 Inch, Yellow, Non-Locking ■	477-00		1	Hose Swivel, 0.75 Inch Npt X 0.75 Inch Mht ●■
1	476LIDKITEL	1	Kit, Lid, 1.5 Inch, Lavender (Effluent), Locking ■	477-01		1	Hose Swivel, 1 Inch Npt X 0.75 Inch Mht ●■
2	473KEYSEAL	1	Seal, 0.75 Inch ■	477-02		1	Hose Swivel, 1 Inch Npt X 1 Inch Mht ●■
2	474KEYSEAL	1	Seal, 1 Inch ■	KEYHANDLE		1	Handle, Qcv Key (10 Handles Per Pack) ●■
2	475KEYSEAL	1	Seal, 1.25 Inch ■				
2	476KEYSEAL	1	Seal, 1.5 Inch ■				
3	473BODYKIT	1	Kit, Body, 0.75 Inch, (Includes Valve Assy. And Item 2 Key Seal) ■				
3	474BODYKIT	1	Kit, Body, 1 Inch, (Includes Valve Assy. And Item 2 Key Seal) ■				

● Not illustrated

■ Order Through Finished Goods Distribution System - Minneapolis

TPV Series Valve, 1 Inch Female



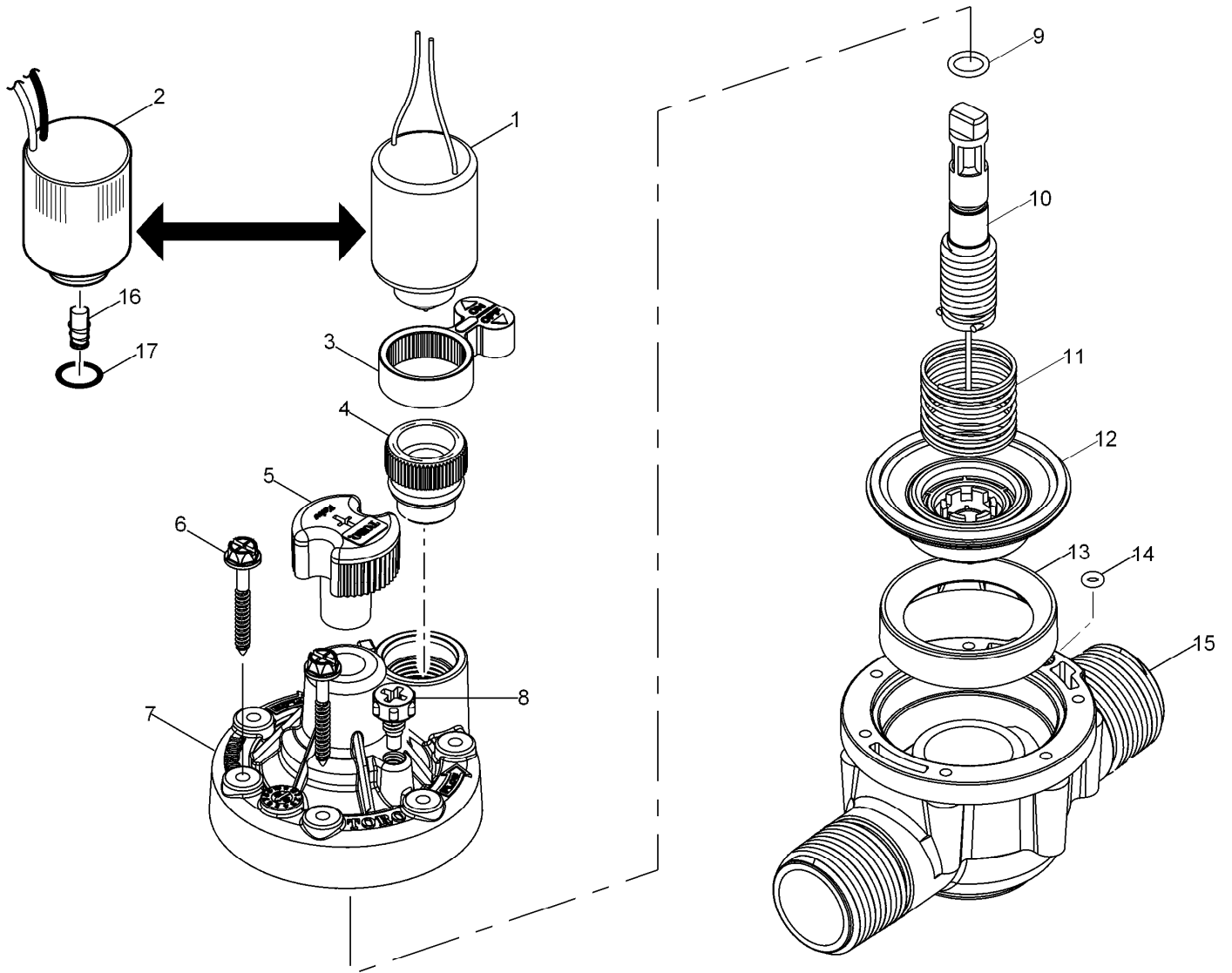
TPV Series Valve, 1 Inch Female (continued)

<i>Ref.</i>	<i>Part Number</i>	<i>Qty.</i>	<i>Description</i>	<i>Ref.</i>	<i>Part Number</i>	<i>Qty.</i>	<i>Description</i>
1	118-5982	1	Solenoid Assy. With Plunger, 24 Vac, 60 Hz	11	153201	1	Spring
1	102-7054	1	Solenoid Assy. With Plunger, 24 Vac, 50 Hz	12	152201	1	Diaphragm Assy.
2	102-2709	1	Solenoid Assy., 24Vdc, Latching (Red W/ White Stripe And Black)	13	1116602	1	Divider (P/N 1116602 Divider [brown] Will Be Changed To P/N 1116601 [black])
3	606902	1	Handle, Bleed Plug	14	531501	1	O-Ring, Body (As568-006)
4	102-5593	1	Bleed Plug Assy.	15	102-6615	1	Body Assy., 1", F X F, Npt
5	102-6622	1	Handle, Flow Control (For Flow Control Models)	15	102-6654	1	Body Assy., 1", F X F, BSP
6	102-6644	6	Screw	15	102-6655	1	Body Assy., 1", S X S
7	102-6621	1	Cover Assy. (W/O Flow Control)	16	118-6446	1	Plunger Assy.
7	102-6620	1	Cover Assy. (For Flow Control Models)	17	360-0220	1	O-Ring (0.070 X 0.551 X 0.691) (As568-015)
8	1081401	1	External Bleed Screw		EFF-Kit-60Hz	1	Reclaimed Water Solenoid Kit, Effluent, 60Hz, Domestic ● ■
9	363-4246	1	O-Ring, Stem Assembly (For Flow Control Models)		EFF-Kit-50Hz	1	Reclaimed Water Solenoid Kit, Effluent, 50Hz, International ● ■
10	1074701	1	Stem Assembly (For Flow Control Models)				

● SERVICE ITEMS

■ Not illustrated

TPV Series Valve, 1 Inch Male



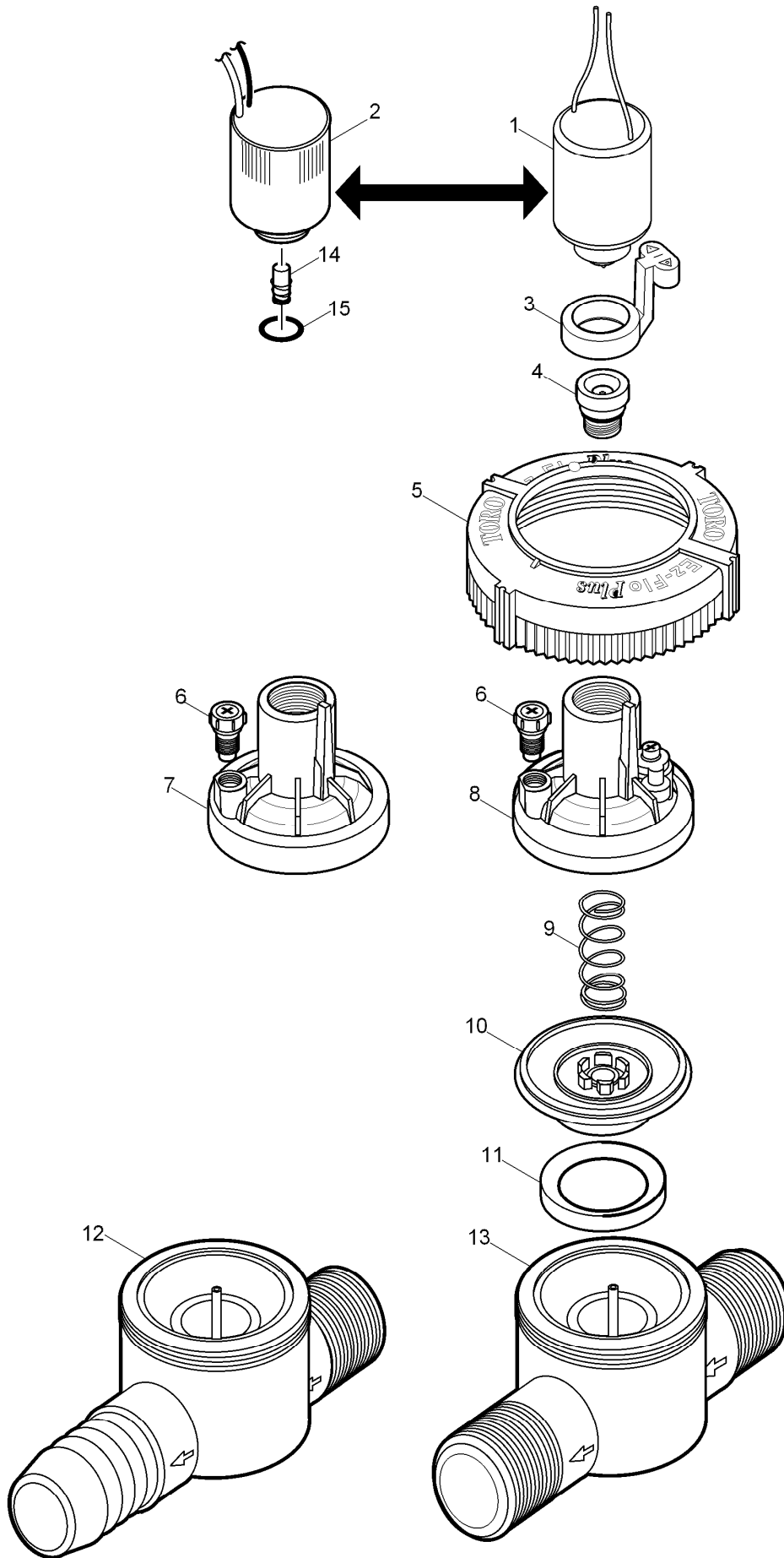
TPV Series Valve, 1 Inch Male (continued)

<i>Ref.</i>	<i>Part Number</i>	<i>Qty.</i>	<i>Description</i>	<i>Ref.</i>	<i>Part Number</i>	<i>Qty.</i>	<i>Description</i>
1	118-5982	1	Solenoid Assy. With Plunger, 24 Vac, 60 Hz	11	153201	1	Spring
1	102-7054	1	Solenoid Assy. With Plunger, 24 Vac, 50 Hz	12	152201	1	Diaphragm Assy.
2	102-2709	1	Solenoid Assy., 24Vdc, Latching (Red W/ White Stripe And Black)	13	1116602	1	Divider (P/N 1116602 Divider [brown] Will Be Changed To P/N 1116601 [black])
3	606902	1	Handle, Bleed Plug	14	531501	1	O-Ring, Body (As568-006)
4	102-5593	1	Bleed Plug Assy.	15	102-6616	1	Body Assy., 1", M X M, Npt
5	102-6622	1	Handle, Flow Control (For Flow Control Models)	15	102-6653	1	Body Assy., 1", M X M, BSP
6	102-6644	6	Screw	15	102-6617	1	Body Assy., 1", M X B, Npt
7	102-6621	1	Cover Assy. (W/O Flow Control)	16	118-6446	1	Plunger Assy.
7	102-6620	1	Cover Assy. (For Flow Control Models)	17	360-0220	1	O-Ring (0.070 X 0.551 X 0.691) (As568-015)
8	1081401	1	External Bleed Screw		EFF-Kit-50Hz	1	Reclaimed Water Solenoid Kit, Effluent, 50Hz, International ●■
9	363-4246	1	O-Ring, Stem Assembly (For Flow Control Models)		EFF-Kit-60Hz	1	Reclaimed Water Solenoid Kit, Effluent, 60Hz, Domestic ●■
10	1074701	1	Stem Assembly (For Flow Control Models)				

● SERVICE ITEMS

■ Not illustrated

EZ-Flo Plus Series, 1 Inch Male

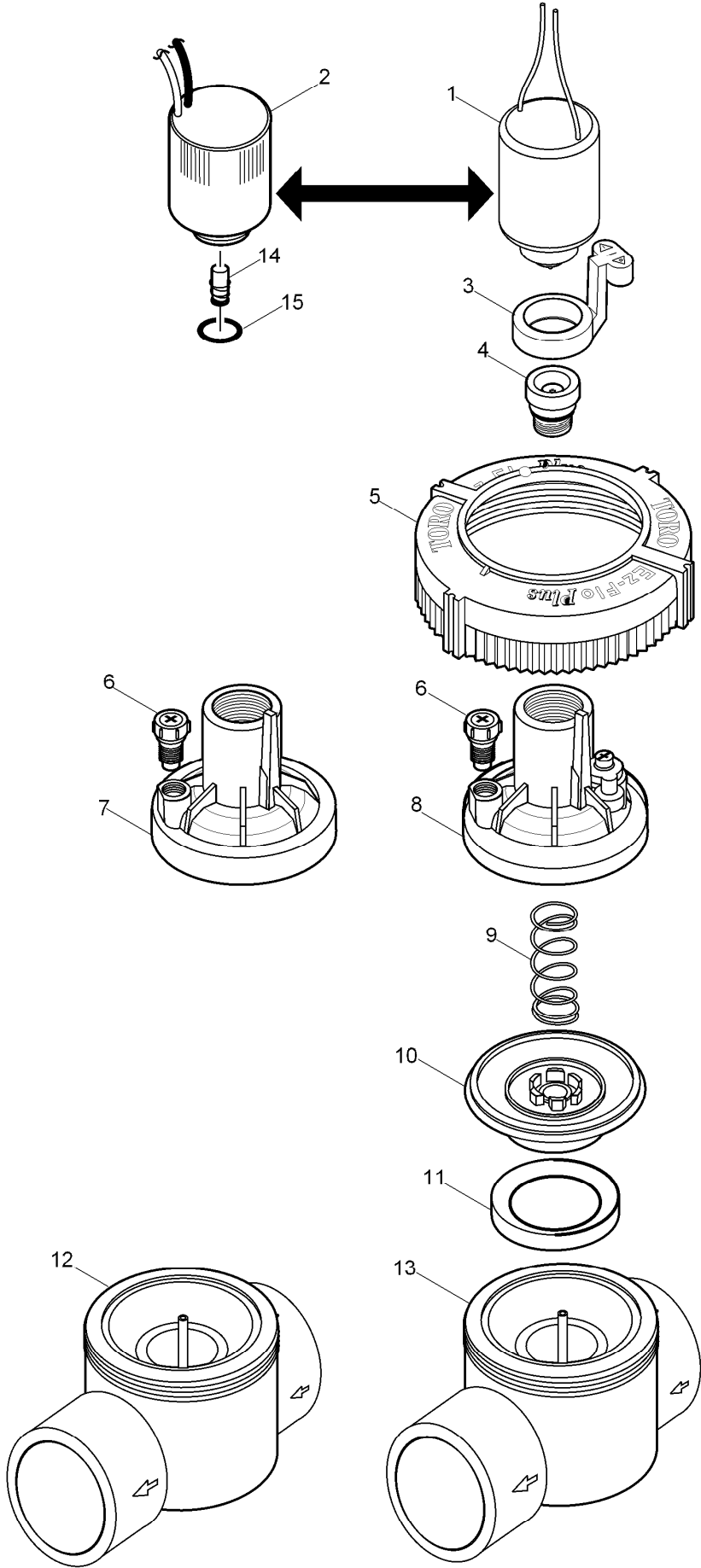


EZ-Flo Plus Series, 1 Inch Male (continued)

<i>Ref.</i>	<i>Part Number</i>	<i>Qty.</i>	<i>Description</i>	<i>Ref.</i>	<i>Part Number</i>	<i>Qty.</i>	<i>Description</i>
1	118-5982	1	Solenoid Assy. With Plunger, 24 Vac, 60 Hz	8	1115004	1	Cover Assy. (For Flow Control Models)
1	102-7054	1	Solenoid Assy. With Plunger, 24 Vac, 50 Hz	9	204A-37	1	Spring
2	102-2709	1	Solenoid Assy., 24Vdc, Latching (Red W/ White Stripe And Black)	10	138802	1	Diaphragm Assy.
3	1081501	1	Handle, Bleed Plug	11	1116602	1	Divider (P/N 1116602 Divider [brown] Will Be Changed To P/N 1116601 [black])
4	102-5593	1	Bleed Plug Assy.	12		1	Body Assy., 1", M X B, Npt ●
5	102-1717	1	Cover Nut	13		1	Body Assy., 1", M X M, Npt ●
6	1081401	1	External Bleed Screw	14	118-6446	1	Plunger Assy.
7	512203	1	Cover Assy. (W/O Flow Control)	15	360-0220	1	O-Ring (0.070 X 0.551 X 0.691) (As568-015)

● Not serviced separately

EZ-Flo Plus Series, 1 Inch Female

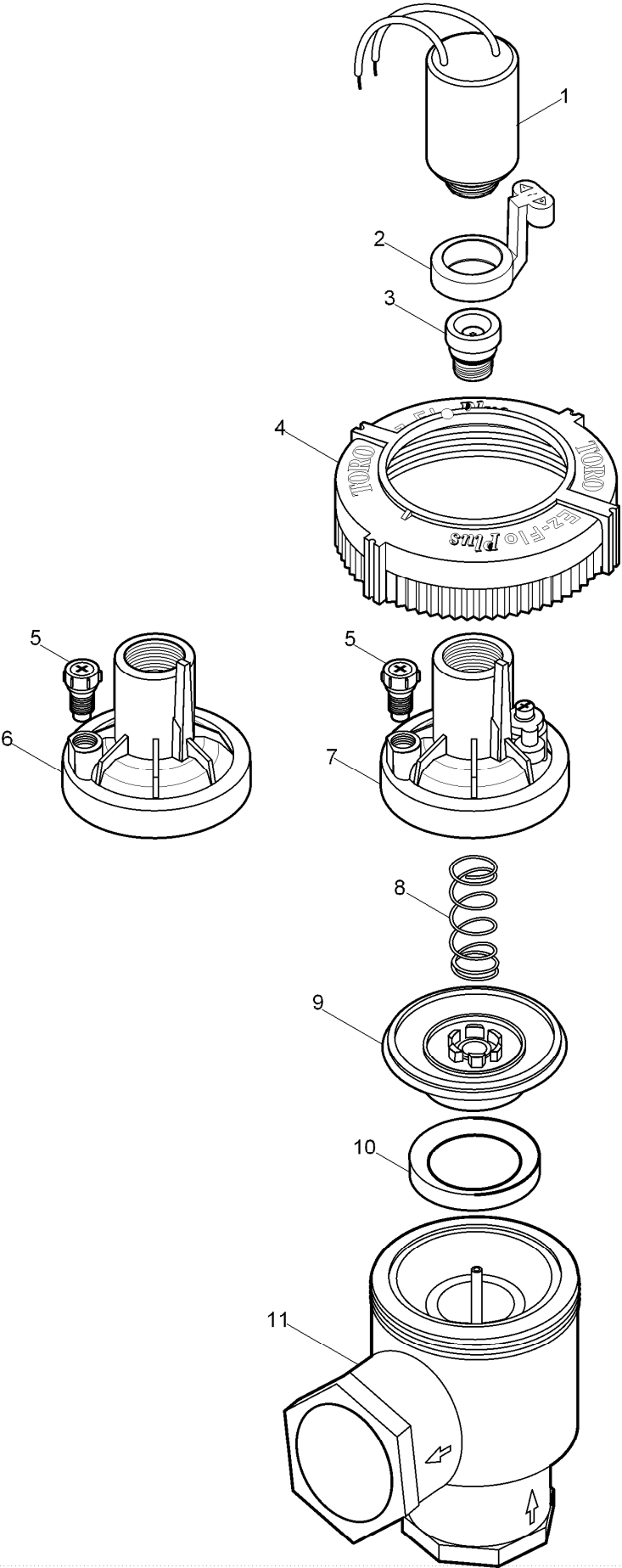


EZ-Flo Plus Series, 1 Inch Female (continued)

<i>Ref.</i>	<i>Part Number</i>	<i>Qty.</i>	<i>Description</i>	<i>Ref.</i>	<i>Part Number</i>	<i>Qty.</i>	<i>Description</i>
1	118-5982	1	Solenoid Assy. With Plunger, 24 Vac, 60 Hz	8	1115004	1	Cover Assy. (For Flow Control Models)
1	102-7054	1	Solenoid Assy. With Plunger, 24 Vac, 50 Hz	9	204A-37	1	Spring
2	102-2709	1	Solenoid Assy., 24Vdc, Latching (Red W/ White Stripe And Black)	10	138802	1	Diaphragm Assy.
3	1081501	1	Handle, Bleed Plug	11	1116601	1	Divider
4	102-5593	1	Bleed Plug Assy.	12		1	Body Assy., 1", F X F, Slip ●
5	102-1717	1	Cover Nut	13		1	Body Assy., 1", F X F, Npt ●
6	1081401	1	External Bleed Screw	14	118-6446	1	Plunger Assy.
7	512203	1	Cover Assy. (W/O Flow Control)	15	360-0220	1	O-Ring (0.070 X 0.551 X 0.691) (As568-015)

● Not serviced separately

EZ-Flo Plus Series, 1 Inch Angle

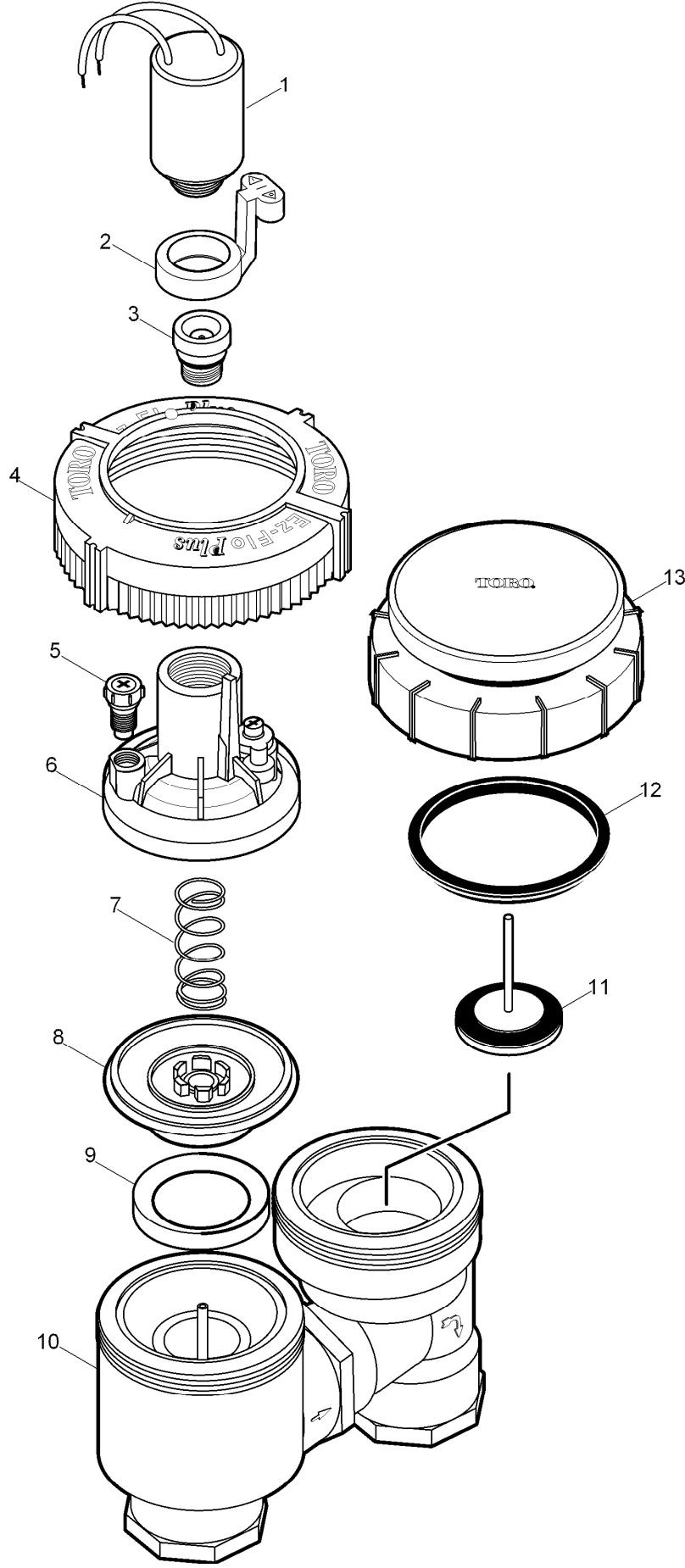


EZ-Flo Plus Series, 1 Inch Angle (continued)

<i>Ref.</i>	<i>Part Number</i>	<i>Qty.</i>	<i>Description</i>	<i>Ref.</i>	<i>Part Number</i>	<i>Qty.</i>	<i>Description</i>
1	118-5982	1	Solenoid Assy. With Plunger, 24 Vac, 60 Hz	6	512203	1	Cover Assy. (W/O Flow Control)
1	102-7054	1	Solenoid Assy. With Plunger, 24 Vac, 50 Hz	7	1115004	1	Cover Assy. (For Flow Control Models)
2	1081501	1	Handle, Bleed Plug	8	204A-37	1	Spring
3	102-5593	1	Bleed Plug Assy.	9	138802	1	Diaphragm Assy.
4	102-1717	1	Cover Nut	10	1116601	1	Divider
5	1081401	1	External Bleed Screw	11		1	Body Assy., 1", F X F, Npt ●

● Not serviced separately

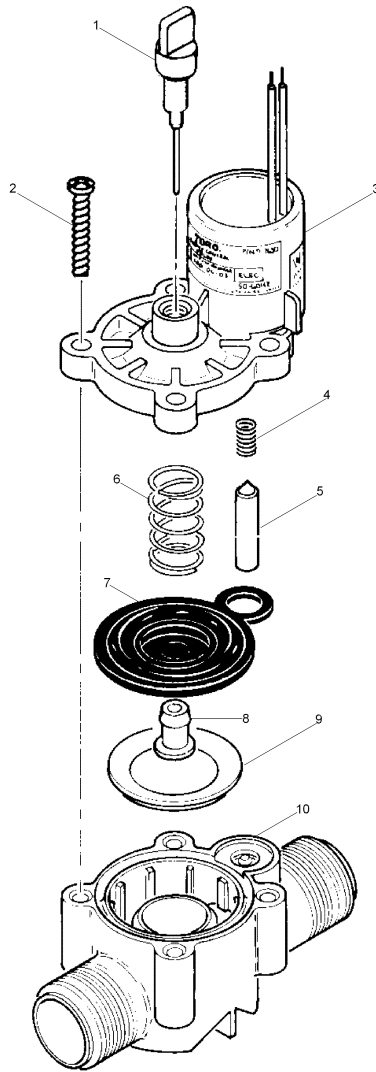
EZ-Flo Plus AVB Series, 3/4 Inch and 1 Inch



EZ-Flo Plus AVB Series, 3/4 Inch and 1 Inch (continued)

<i>Ref.</i>	<i>Part Number</i>	<i>Qty.</i>	<i>Description</i>	<i>Ref.</i>	<i>Part Number</i>	<i>Qty.</i>	<i>Description</i>
1	118-5982	1	Solenoid Assy. With Plunger, 24 Vac, 60 Hz	9	1116602	1	Divider (P/N 1116602 Divider [brown] Will Be Changed To P/N 1116601 [black])
1	102-7054	1	Solenoid Assy. With Plunger, 24 Vac, 50 Hz				
2	1081501	1	Handle, Bleed Plug	10		1	Body Assy, 3/4", Npt ●
3	102-1197	1	Bleed Plug Assy., New	10		1	Body Assy, 1", Npt ●
4	102-1717	1	Cover Nut	11	1088001	1	Stem Assy., 3/4"
5	1081401	1	External Bleed Screw	11	1018601	1	Stem Assy., 1"
6	1115004	1	Cover Assy. (For Flow Control Models)	12	595901	1	Seal, Anti-Siphon Cover, 3/4"
7	204A-37	1	Spring	12	655401	1	Seal, Anti-Siphon Cover, 1"
8	138802	1	Diaphragm Assy.	13	217107-H	1	Shield/Cover Assy., 3/4"
				13	519111	1	Shield/Cover Assy., 1"

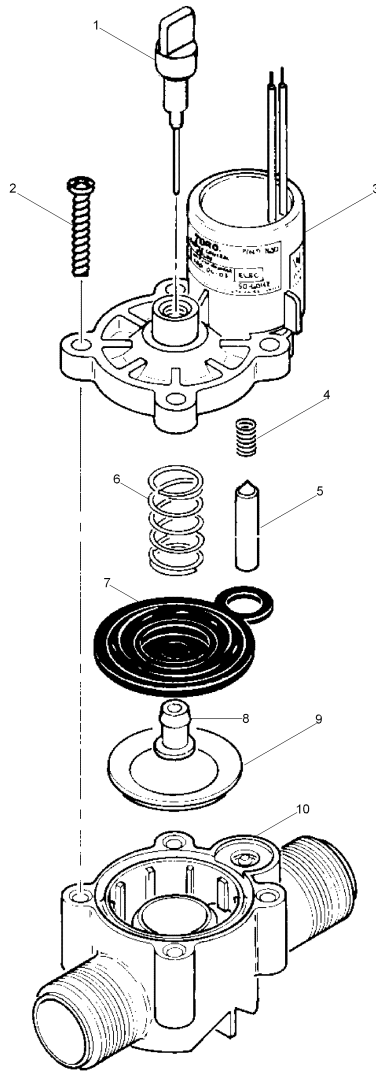
● Not serviced separately



264 Series, 3/4" Valve

Ref.	Part Number	Qty.	Description
1	35-4889	1	Bleed Screw Assy. With Pin
2	363-1493	4	Screw, #10 X 1
3	9-7413	1	Cap Assy.
4	9-6148	1	Spring-Plunger, Solenoid, EI
5	9-6527	1	Plunger Assy., EI
6	9-7619	1	Spring, Diaphragm
7	35-8941	1	Diaphragm Assy. (Includes Item 8)
8		1	Plug, Metering, Diaphragm ●
9	9-7835	1	Support, Diaphragm
10	9-7992	1	Body, Valve

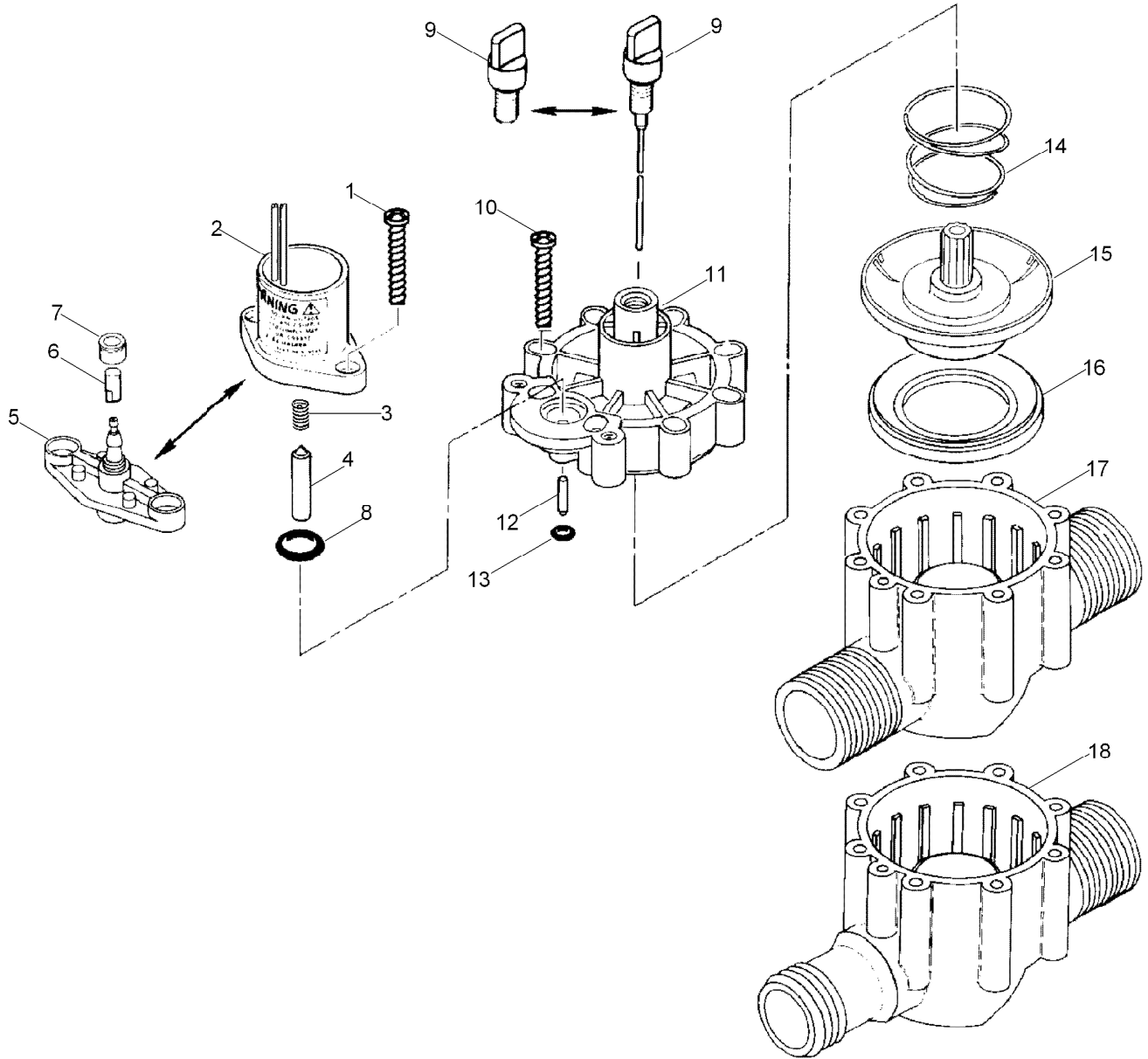
● Not serviced separately



264 Series, 3/4" Valve (continued)

● Not serviced separately

264 Series, 1" Valve



264 Series, 1" Valve (continued)

<i>Ref.</i>	<i>Part Number</i>	<i>Qty.</i>	<i>Description</i>	<i>Ref.</i>	<i>Part Number</i>	<i>Qty.</i>	<i>Description</i>
1	363-1493	2	Screw, #10 X 1	12	3-2016	1	Shaft, Idler, Lower, No And Pt
2		1	Solenoid Assy., EI (See Service Item 89-0878)▲	13	1-2035	1	O-Ring, EI, Pr And Cr (0.070" X 0.114" X 0.254") (As568-006)
3	9-6148	1	Spring-Plunger, Solenoid, EI	14	9-7110	1	Spring, Diaphragm, EI And No
4	9-6527	1	Plunger Assy., EI	15	35-2824	1	Diaphragm ASM, 1", EI
5	35-3776	1	Adapter Assy., No	15	35-2943	1	Diaphragm Assy., 1", No Hyd
6	89-8157	1	Cap, 1/4", Poly, No	16	9-6331	1	Support, Diaphragm
7	900-40	1	Retainer, Tube◆	17	9-8311	1	Body, M X M, 1", Npt
8	2-9652	1	O-Ring, 7/16" X 5/8", No (As568-111)	18		1	Body, M X B, 1", Npt▲
9		1	Bleed Screw, No▲		89-0878		Solenoid And Plunger Assy., EI (Includes Items 2-4)●■
9	35-2941	1	Bleed Screw Assy., EI, Fast-Closing		35-9354		Bleed Screw Assy., EI, Slow-Closing●■
10	363-4007	8	Screw, #10 X 1.25"				
11	9-8313	1	Cap, Valve W/O Fc, EI				
11	9-7291	1	Cap, Valve, W/O Fc, No And Pt				

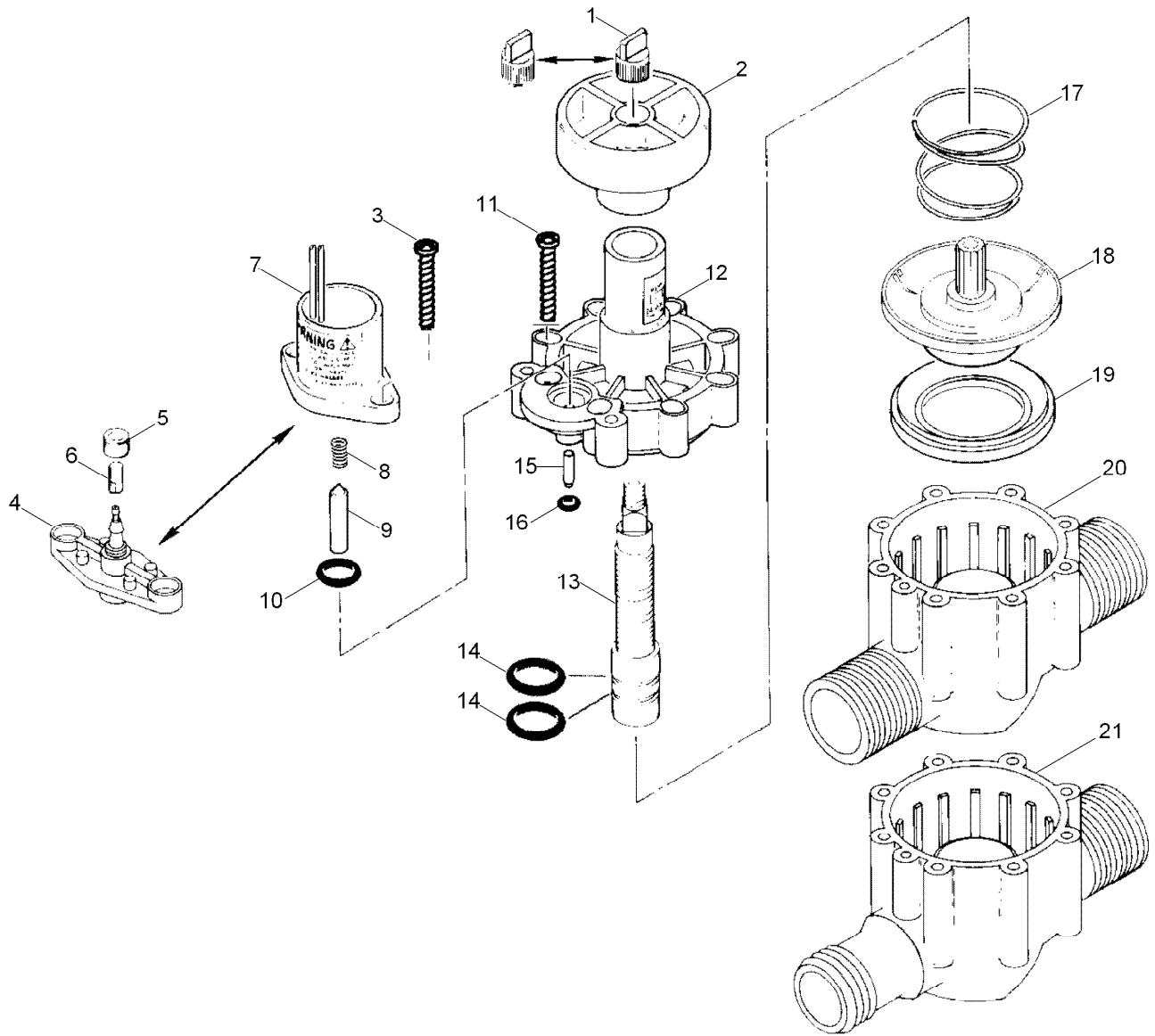
● SERVICE ITEMS

▲ Not serviced separately

◆ Order Through Finished Goods Distribution System - Minneapolis

■ Not illustrated

254 Series, 1" Valve



254 Series, 1" Valve (continued)

<i>Ref.</i>	<i>Part Number</i>	<i>Qty.</i>	<i>Description</i>	<i>Ref.</i>	<i>Part Number</i>	<i>Qty.</i>	<i>Description</i>
1	35-4521	1	Bleed Cap ASM, W/ Pin, El, Fast Closing	15	3-2016	1	Shaft, Idler, Lower, No And Pt
1	35-1748	1	Bleed Cap ASM, W/O Pin, No And Pt	16	1-2035	1	O-Ring, El, Pr And Cr (0.070" X 0.114" X 0.254") (As568-006)
2	35-3777	1	Knob, Handle, Cross	17	9-7110	1	Spring, Diaphragm, El And No
3	363-1493	2	Screw, #10 X 1	18	35-2943	1	Diaphragm Assy., 1", No Hyd
4	35-3776	1	Adapter Assy., No	18	35-2824	1	Diaphragm ASM, 1", El
5	900-40	1	Retainer, Tube ♦	19	9-6331	1	Support, Diaphragm
6	89-8157	1	Cap, 1/4", Poly, No	20	9-8311	1	Body, M X M, 1", Npt
7		1	Solenoid Assy., El (See Service Item 89-0878) ▲	21		1	Body Assy., M X B, 1" ▲
8	9-6148	1	Spring-Plunger, Solenoid, El		89-0878		Solenoid And Plunger Assy., El (Include Items 7-9) ●■
9	9-6527	1	Plunger Assy., El		35-0767		Cap Assy., W/Flow Control, No (Includes Items 12-14) ●■
10	2-9652	1	O-Ring, 7/16" X 5/8", No (As568-111)		35-9346		Bleed Cap ASM, W/Pin, Slow-Closing ●■
11	363-4007	8	Screw, #10 X 1.25"		9-8182		Cap, Valve, W/Fc, El (Includes Items 12-14) ●■
12		1	Cap, Valve, W/Fc, El, Fast-Closing ▲				
12		1	Cap Assy. W/Fc, No ▲				
13	35-1983	1	Stem-Flow Control				
14	360-0220	2	O-Ring (0.070 X 0.551 X 0.691) (As568-015)				

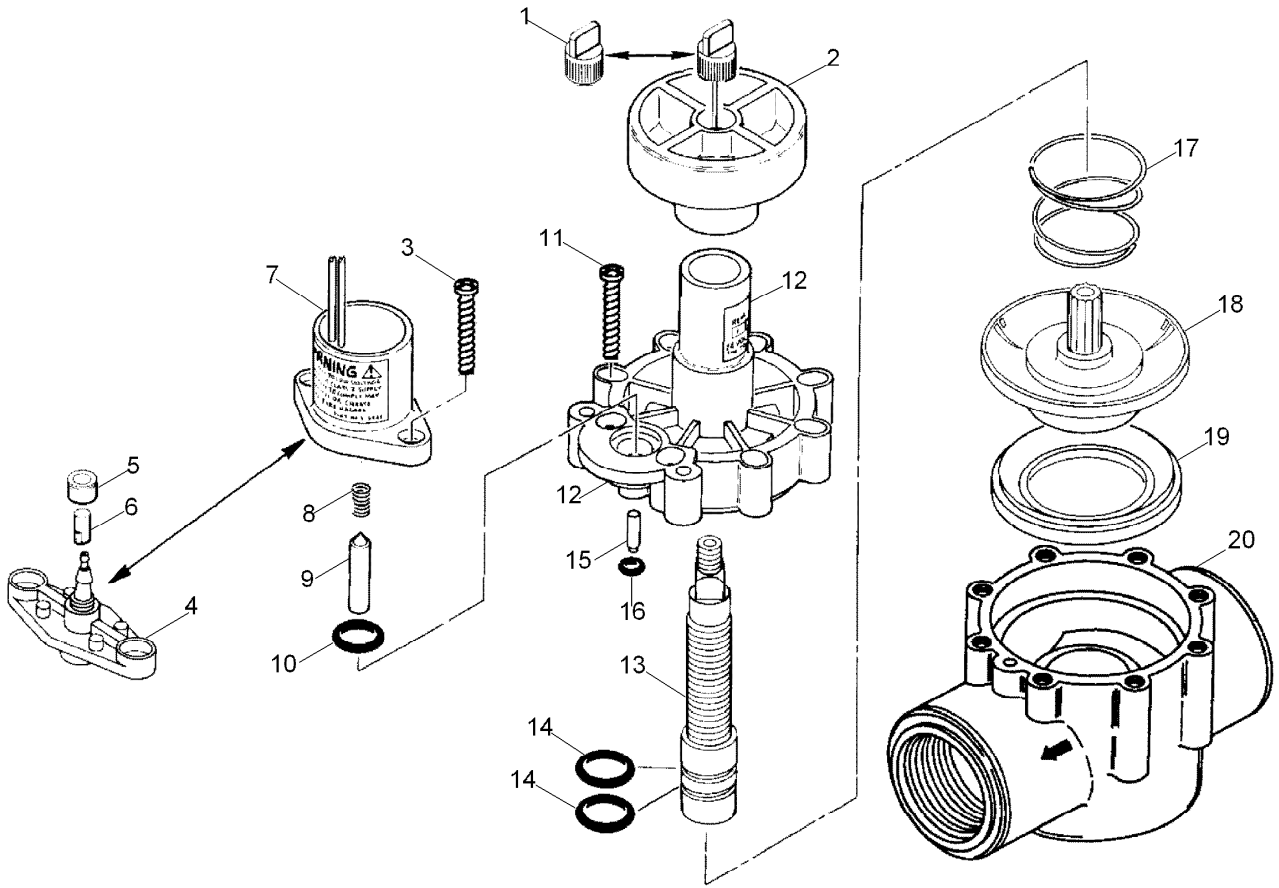
● SERVICE ITEMS

▲ Not serviced separately

♦ Order Through Finished Goods Distribution System - Minneapolis

■ Not illustrated

250 Series, 1" Valve



250 Series, 1" Valve (continued)

<i>Ref.</i>	<i>Part Number</i>	<i>Qty.</i>	<i>Description</i>	<i>Ref.</i>	<i>Part Number</i>	<i>Qty.</i>	<i>Description</i>
1	35-4521	1	Bleed Cap ASM, W/ Pin, El, Fast Closing	17	9-4425	1	Spring, Diaphragm, Pt
1	35-1748	1	Bleed Cap ASM, W/O Pin, No And Pt	17	9-7110	1	Spring, Diaphragm, El And No
1	89-7855	1	Bleed Cap ASM, W/O Pin, No And Pt, Effluent	18	35-2943	1	Diaphragm Assy., 1", No Hyd
2	35-3777	1	Knob, Handle, Cross	18	35-2824	1	Diaphragm ASM, 1", El
3	363-1493	2	Screw, #10 X 1	18	35-3655	1	Diaphragm Assy., 1", Pt
4	35-3776	1	Adapter Assy., No	19	9-6331	1	Support, Diaphragm
5	900-40	1	Retainer, Tube □	20		1	Body Assy., In-Line Globe, Npt ▲
6	89-8157	1	Cap, 1/4", Poly, No	20	35-1970	1	Body Assy., In-Line Globe, BSP
7		1	Solenoid Assy., El (See Service Item 89-0878) ▲		89-0878		Solenoid And Plunger Assy., El (Includes Items 7-9) ●■
8	9-6148	1	Spring-Plunger, Solenoid, El		35-3503		Diaphragm ASM, El, Service Kit ◆■
9	9-6527	1	Plunger Assy., El				Screen, Filter, 3/4" (Use With 35-3503 Diaphragm Assy) ●■▲
10	2-9652	1	O-Ring, 7/16" X 5/8", No (As568-111)		9-6548		Plug, Communication, Diaphragm (Use With 35-3655 Diaphragm Assy., Pt) ●■
11	363-1493	8	Screw, #10 X 1				Cap, Valve, W/Fc, El (Includes Items 12-14) ●■
12		1	Cap Assy., El (See Service Item 9-8182) ▲		35-0767		Cap Assy., No Nd Pt (Includes Items 12-14) ●■
12		1	Cap Assy., No & Pt (See Service Item 35-0767) ▲		35-9346		Bleed Cap ASM, W/Pin, Slow-Closing ●■
13	35-1983	1	Stem-Flow Control				
14	360-0220	2	O-Ring (0.070 X 0.551 X 0.691) (As568-015)				
15	3-2016	1	Shaft, Idler, Lower, No And Pt				
16	1-2035	1	O-Ring, El, Pr And Cr (0.070" X 0.114" X 0.254") (As568-006)				

● SERVICE ITEMS

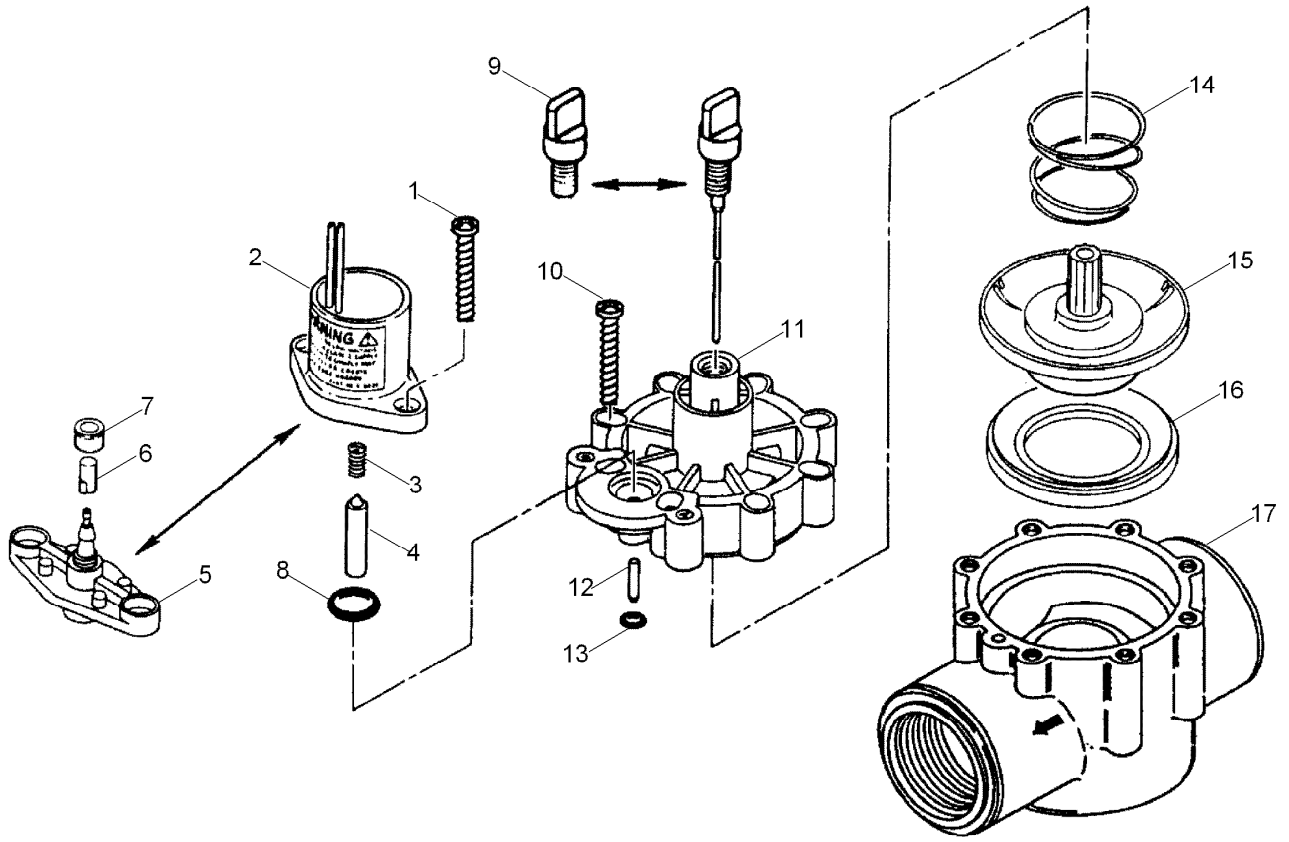
▲ Not serviced separately

□ Order Through Finished Goods Distribution System - Minneapolis

■ Not illustrated

◆ (See Service Items: Nozzle/Stator Assy.)

260 Series, 1" Valve



260 Series, 1" Valve (continued)

<i>Ref.</i>	<i>Part Number</i>	<i>Qty.</i>	<i>Description</i>	<i>Ref.</i>	<i>Part Number</i>	<i>Qty.</i>	<i>Description</i>
1	363-1493	2	Screw, #10 X 1	15	35-2943	1	Diaphragm Assy., 1", No Hyd
2		1	Solenoid Assy. (See Service Item 89-0878) ▲	15	35-2824	1	Diaphragm ASM, 1", EI
3	9-6148	1	Spring-Plunger, Solenoid, EI	15	35-3655	1	Diaphragm Assy., 1", Pt
4	9-6527	1	Plunger Assy., EI	16	9-6331	1	Support, Diaphragm
5	35-3776	1	Adapter Assy., No	17		1	Body Assy., Globe, Npt ▲
6	89-8157	1	Cap, 1/4", Poly, No	17	35-1970	1	Body Assy., In-Line Globe, BSP
7	900-40	1	Retainer, Tube ◆				
8	2-9652	1	O-Ring, 7/16" X 5/8", No (As568-111)		89-0878		Solenoid And Plunger Assy., EI (Includes Items 2-4) ●■
9	35-2941	1	Bleed Screw Assy., EI, Fast-Closing		35-3503		Diaphragm ASM, EI, Service Kit ●■
9		1	Bleed Screw, No & Pt ▲				Screen, Filter, 3/4" (Use With 35-3503 Diaphragm Assy) ●■▲
10	363-1493	8	Screw, #10 X 1				
11	9-8313	1	Cap, Valve W/O Fc, EI				
11	9-7291	1	Cap, Valve, W/O Fc, No And Pt		9-6548		Plug, Communication, Diaphragm (Used With 35-3655) ●■
12	3-2016	1	Shaft, Idler, Lower, No And Pt				
13	1-2035	1	O-Ring, EI, Pr And Cr (0.070" X 0.114" X 0.254") (As568-006)		35-9354		Bleed Screw Assy., EI, Slow-Closing ●■
14	9-7110	1	Spring, Diaphragm, EI And No		9-6548		Plug, Communication, Diaphragm (Used With 35-3655) ●■
14	9-4425	1	Spring, Diaphragm, Pt		35-9354		Bleed Screw Assy., EI, Slow-Closing ●■

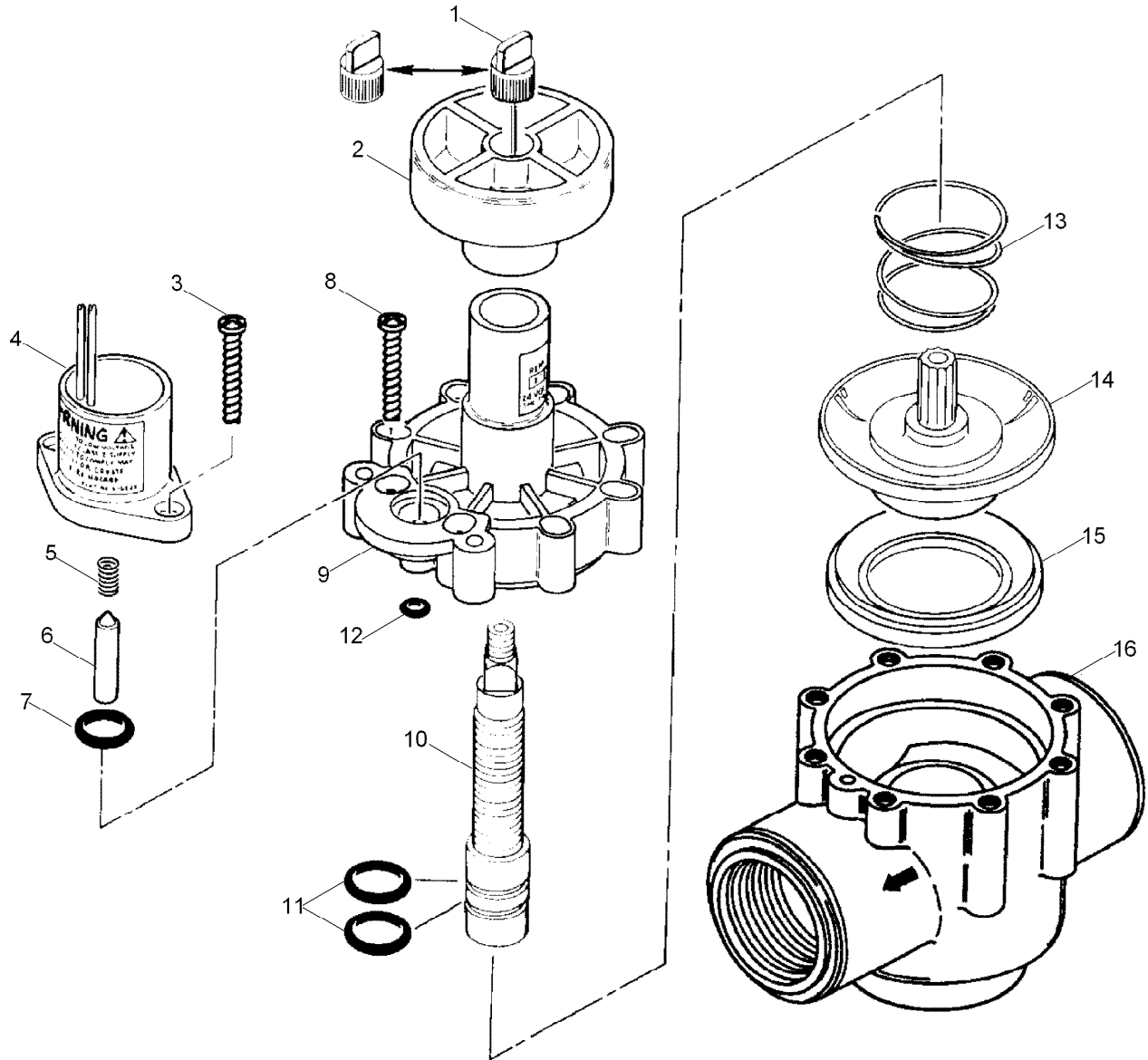
● SERVICE ITEMS

▲ Not serviced separately

◆ Order Through Finished Goods Distribution System - Minneapolis

■ Not illustrated

252 Series, 1" Valve

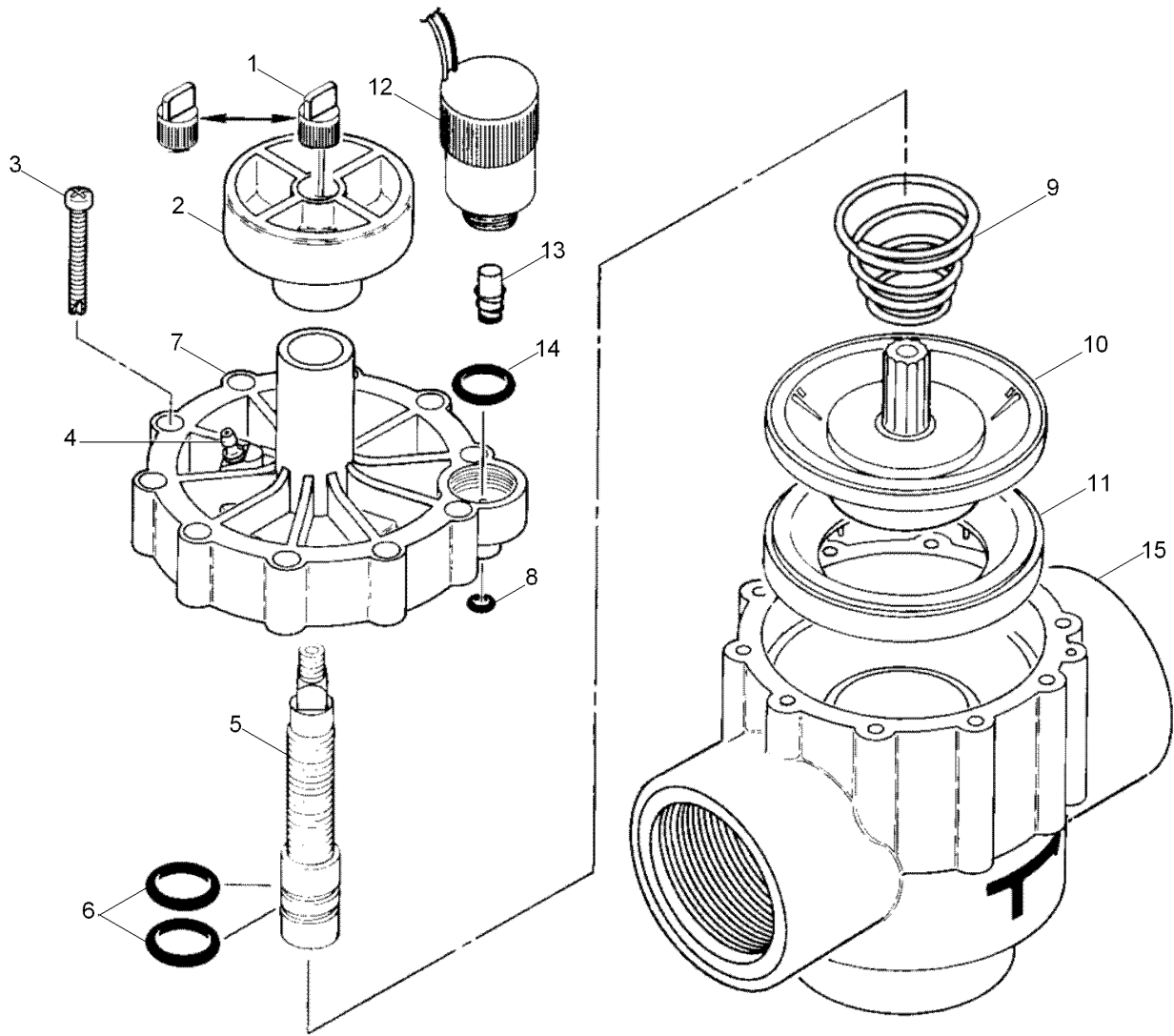


252 Series, 1" Valve (continued)

<i>Ref.</i>	<i>Part Number</i>	<i>Qty.</i>	<i>Description</i>	<i>Ref.</i>	<i>Part Number</i>	<i>Qty.</i>	<i>Description</i>
1	35-4521	1	Bleed Cap ASM, W/ Pin, El, Fast Closing	13	9-7110	1	Spring, Diaphragm, El And No
1	35-1748	1	Bleed Cap ASM, W/O Pin, No And Pt	14	35-2824	1	Diaphragm ASM, 1", El
2	35-3777	1	Knob, Handle, Cross	15	9-6331	1	Support, Diaphragm
3	363-1493	2	Screw, #10 X 1	16		1	Body Assy., 1", Npt ▲
4		1	Solenoid Assy. (See Service Item 89-0878) ▲	16		1	Body Assy., 1", BSP ▲
5	9-6148	1	Spring-Plunger, Solenoid, El		89-7855		Bleed Cap ASM, W/O Pin, No And Pt, Effluent ●■
6	9-6527	1	Plunger Assy., El		89-0878		Solenoid And Plunger Assy., El (Includes Items 4-6) ●■
7	2-9652	1	O-Ring, 7/16" X 5/8", No (As568-111)		9-8182		Cap Assy. (Includes Items 9-11) ●■
8	363-1493	8	Screw, #10 X 1		35-3503		Diaphragm ASM, El, Service Kit ●■
9		1	Cap Assy., El, W/Fc (See Service Item 35-8182) ▲				Screen, Filter, 3/4" (Use With 35-3503 Diaphragm Assy) ●▲■
10	35-1983	1	Stem-Flow Control				Bleed Cap ASM, W/Pin, Slow-Closing ●■
11	360-0220	2	O-Ring (0.070 X 0.551 X 0.691) (As568-015)		35-9346		
12	1-2035	1	O-Ring, El, Pr And Cr (0.070" X 0.114" X 0.254") (As568-006)				

● SERVICE ITEMS
▲ Not serviced separately

■ Not illustrated

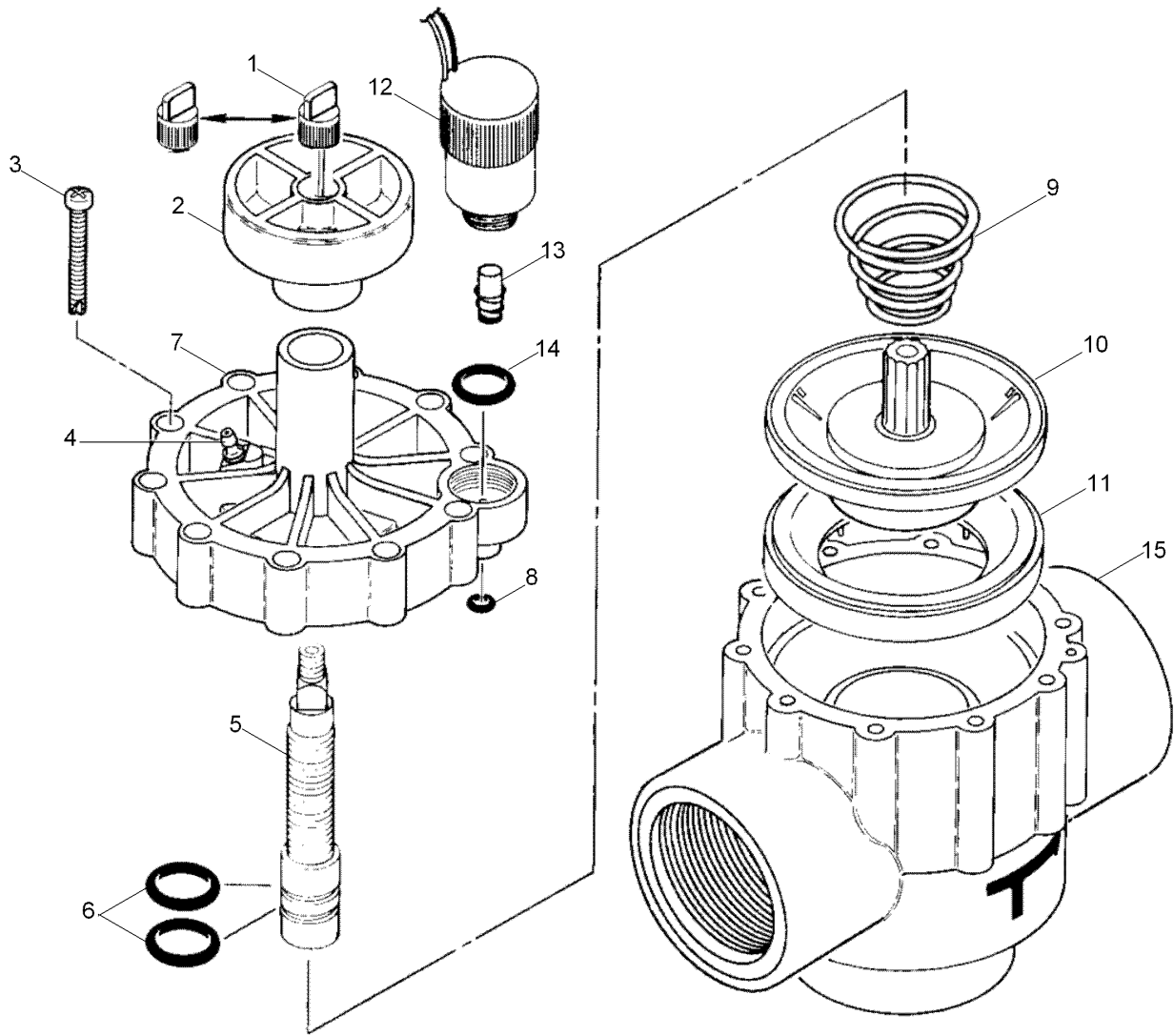


252 Series, 1.5" Valve (Sheet 1 of 2)

Ref.	Part Number	Qty.	Description
1	35-4521	1	Bleed Cap ASM, W/ Pin, EI, Fast Closing
1	35-1748	1	Bleed Cap ASM, W/O Pin, No And Pt
1	89-7855	1	Bleed Cap ASM, W/O Pin, No And Pt, Effluent
2	35-3777	1	Knob, Handle, Cross
3	360-0203	10	Screw, Tap, #10-25 X 1-3/4, Sst
4		1	Cap, Valve, EI ●
4		1	Cap, Valve, No & Pt (See Service Items) ●
4		1	Cap, Valve, Pr (See Service Items) ●
4		1	Cap, Valve, Cr (See Service Items) ●
5	35-1983	1	Stem-Flow Control

Ref.	Part Number	Qty.	Description
6	360-0220	2	O-Ring (0.070 X 0.551 X 0.691) (As568-015)
7	9-6791	1	Connector, Poly, No And Pr
8	1-2035	1	O-Ring, EI, Pr And Cr (0.070" X 0.114" X 0.254") (As568-006)
9	9-4425	1	Spring, Diaphragm, Pt
10	89-0812	1	Diaphragm ASM, EI
10	89-0814	1	Diaphragm ASM, Pt
10	89-0813	1	Diaphragm ASM, No, Pr And Cr
11	89-6110	1	Support-Diaphragm
12	118-0248	1	Solenoid Assy., EI, Pr And Cr
13	35-4609	1	Plunger ASM, EI, Pr And Cr
14	360-0220	1	O-Ring (0.070 X 0.551 X 0.691) (As568-015)
15	9-7100	1	Body ASM, No And Pt, Npt

● Not serviced separately



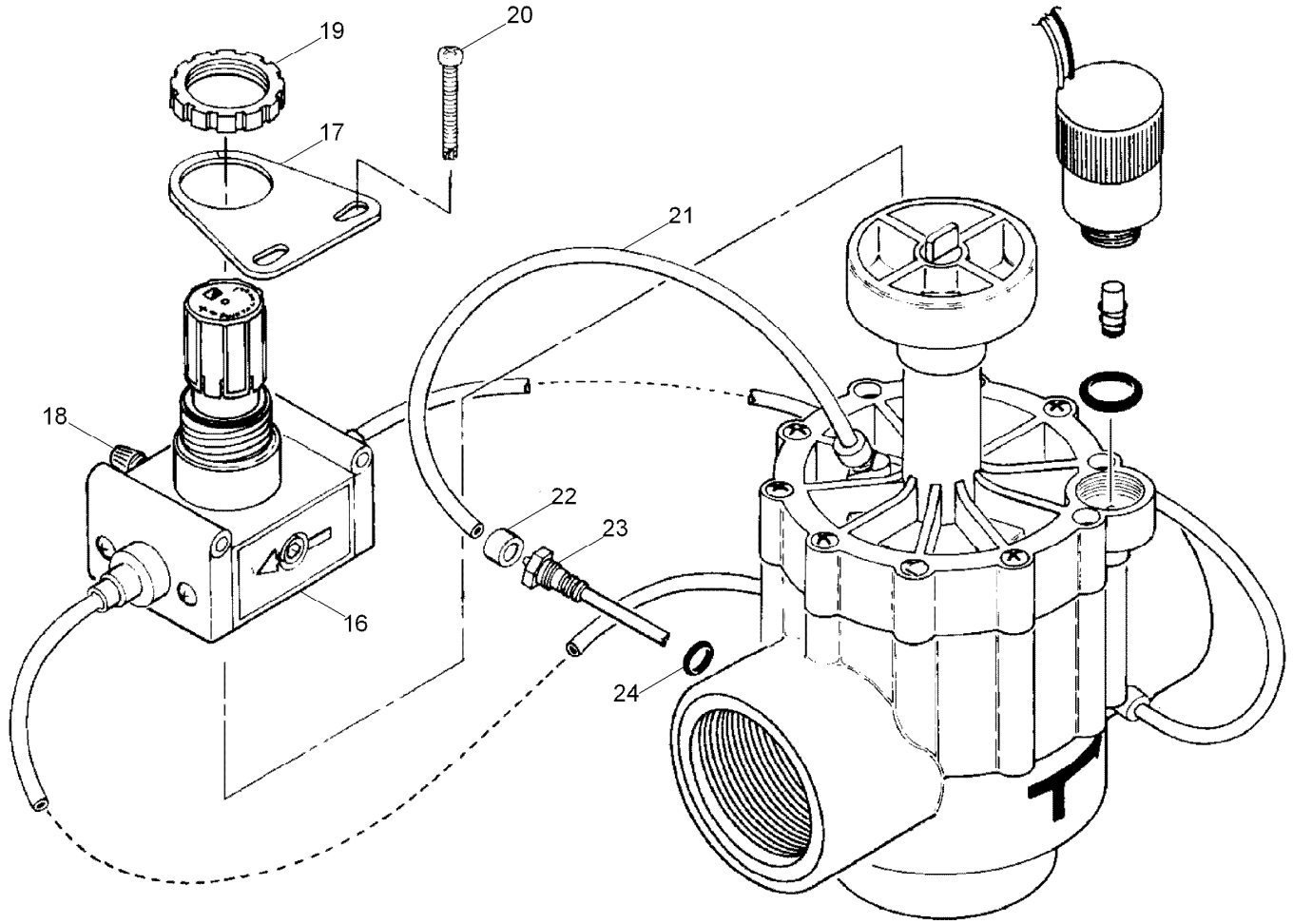
252 Series, 1.5" Valve (Sheet 1 of 2) (continued)

Ref.	Part Number	Qty.	Description
15	9-7238	1	Body ASM, El, Npt
15		1	Body Assy., No & Pt, BSP ●
15	35-1973	1	Body ASM, El, BSP
15	35-4937	1	Body ASM, Pr, Npt

Ref.	Part Number	Qty.	Description
15	35-5642	1	Body ASM, Pr, BSP
15	89-4805	1	Body ASM, Cr, Npt
15	89-6036	1	Body ASM, Cr, BSP

● Not serviced separately

252 Series, 1.5" Valve (Sheet 2 of 2)



252 Series, 1.5" Valve (Sheet 2 of 2) (continued)

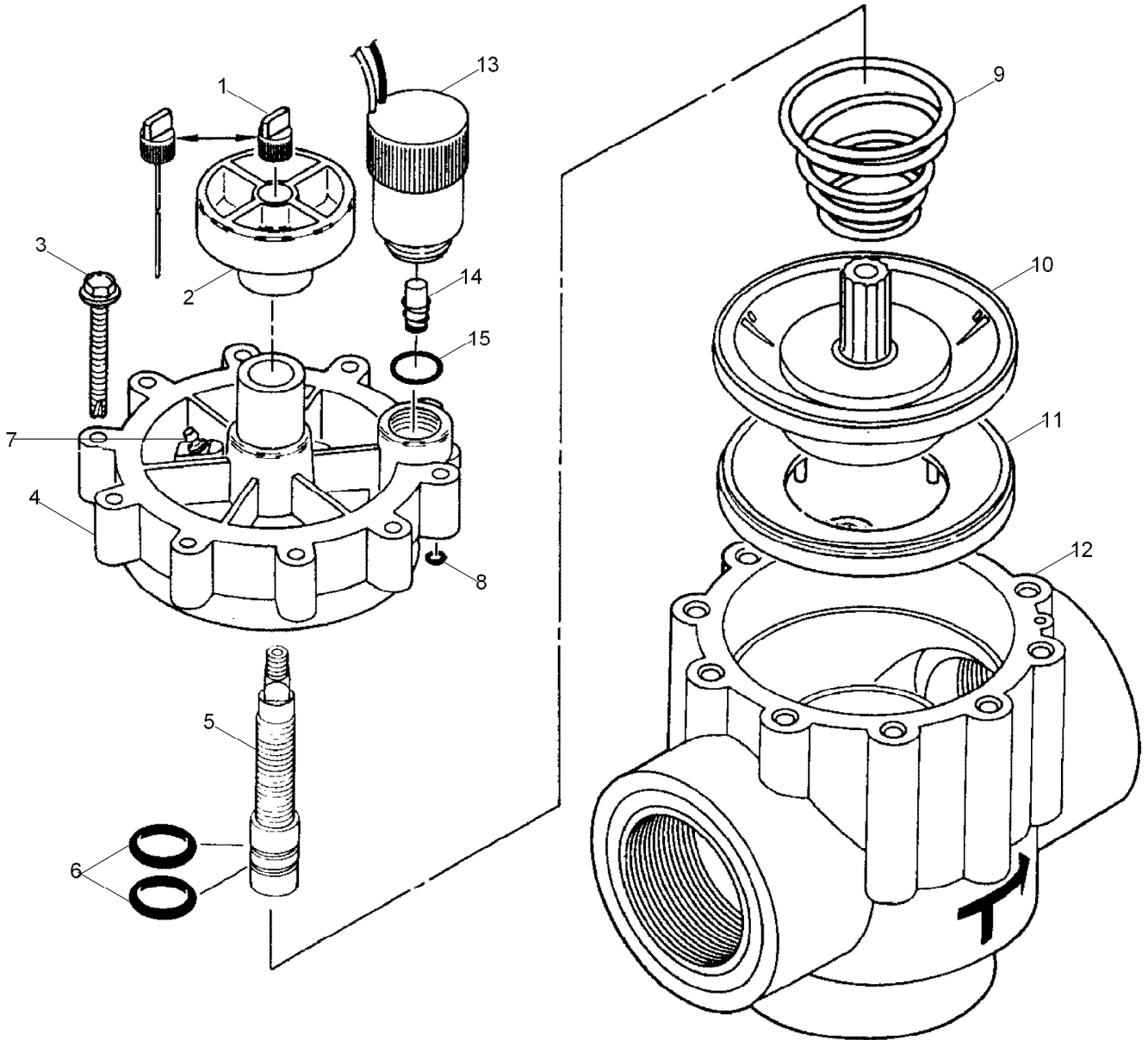
<i>Ref.</i>	<i>Part Number</i>	<i>Qty.</i>	<i>Description</i>	<i>Ref.</i>	<i>Part Number</i>	<i>Qty.</i>	<i>Description</i>
16	363-3141	1	Regulator-Water Pressure, Plastic Valve, Pr	89-8157			Cap, 1/4", Poly, No ●■
17	35-3444	1	Bracket, Regulator, Pr	35-9346			Bleed Cap ASM, W/Pin, Slow-Closing ●■
18	363-1762	1	Valve, Schrader, 1/8", Pr, Npt	35-0595			Cap ASM, Valve, El ●■
19	363-1894	1	Nut-Regulator, Pr	35-0769			Cap ASM, Valve, No And Pt ●■
20	360-0203	2	Screw, Tap, #10-25 X 1-3/4, Sst	35-4935			Cap ASM, Valve, Pr And Cr ●■
21	9-2623	3	Tube, 1/4" X 8", El	35-4926			Regulator ASM, Plastic Valve, Pr ●■
21	9-2624	1	Tubing, Poly, 1/4" X 11.5", Cr	89-0817			Diaphragm Kit, 1.5, El ●■
22	900-40	6	Retainer, Tube ▲	89-0818			Diaphragm Kit, 1.5, No ●■
23	35-4619	1	Filter Assy., 1/4", Regulator, Pr And Cr	89-0814			Diaphragm ASM, Pt ●■
24	360-0494	1	O-Ring	89-9453			Service Kit, Valve, 1.5, No ●■
	35-3099		Solenoid ASM, El And Pr And Cr ●■	89-3853			Service Kit, Valve, 1.5, El ●■
				89-3892			Service Kit, Valve, 1.5, Pt ●■

● SERVICE ITEMS

▲ Order Through Finished Goods Distribution System - Minneapolis

■ Not illustrated

252 Series, 2" Valve (Sheet 1 of 2)

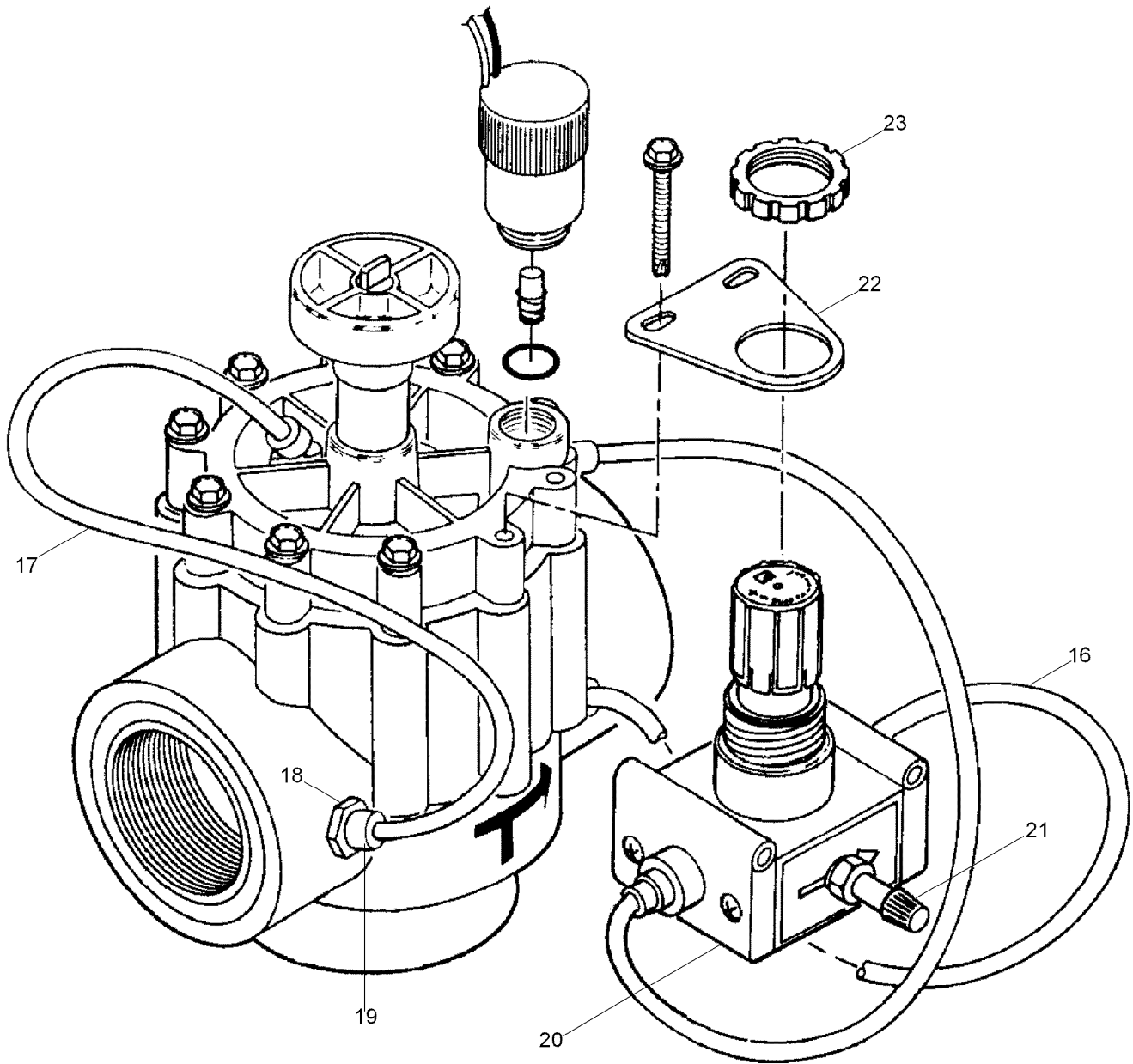


252 Series, 2" Valve (Sheet 1 of 2) (continued)

<i>Ref.</i>	<i>Part Number</i>	<i>Qty.</i>	<i>Description</i>	<i>Ref.</i>	<i>Part Number</i>	<i>Qty.</i>	<i>Description</i>
1	35-3892	1	Bleed Cap Assy. With Pin, EI	9	9-4425	1	Spring, Diaphragm, No
1	35-1748	1	Bleed Cap Assy., No, Pr And Cr	10	89-0815	1	Diaphragm ASM, EI
2	35-3777	1	Knob, Handle, Cross	10	89-0816	1	Diaphragm ASM, No, Pr And Cr
3	363-1399	10	Screw-Hex, Washer, 1/4-14 X 2	11	9-6504	1	Support-Diaphragm
4		1	Cap, Valve (See Service Items) ●	12	9-7258	1	Body ASM, EI And No, Npt
5	35-1983	1	Stem-Flow Control	12	35-1974	1	Body ASM, EI And No, BSP
6	360-0220	2	O-Ring (0.070 X 0.551 X 0.691) (As568-015)	12	35-4943	1	Body ASM, Pr, Npt
7	9-6791	1	Connector, Poly, No And Pr	12	35-5645	1	Body ASM, Pr, BSP
8	1-2035	1	O-Ring, EI, Pr And Cr (0.070" X 0.114" X 0.254") (As568-006)	12	89-4807	1	Body ASM, Cr, Npt
9	9-6940	1	Spring, Diaphragm, EI, Pr And Cr	12		1	Body Assy., Cr, BSP ●
				13	118-0248	1	Solenoid (Red & Black Wires)
				14	35-4609	1	Plunger ASM, EI, Pr And Cr
				15	360-0220	1	O-Ring (0.070 X 0.551 X 0.691) (As568-015)

● Not serviced separately

252 Series, 2" Valve (Sheet 2 of 2)



252 Series, 2" Valve (Sheet 2 of 2) (continued)

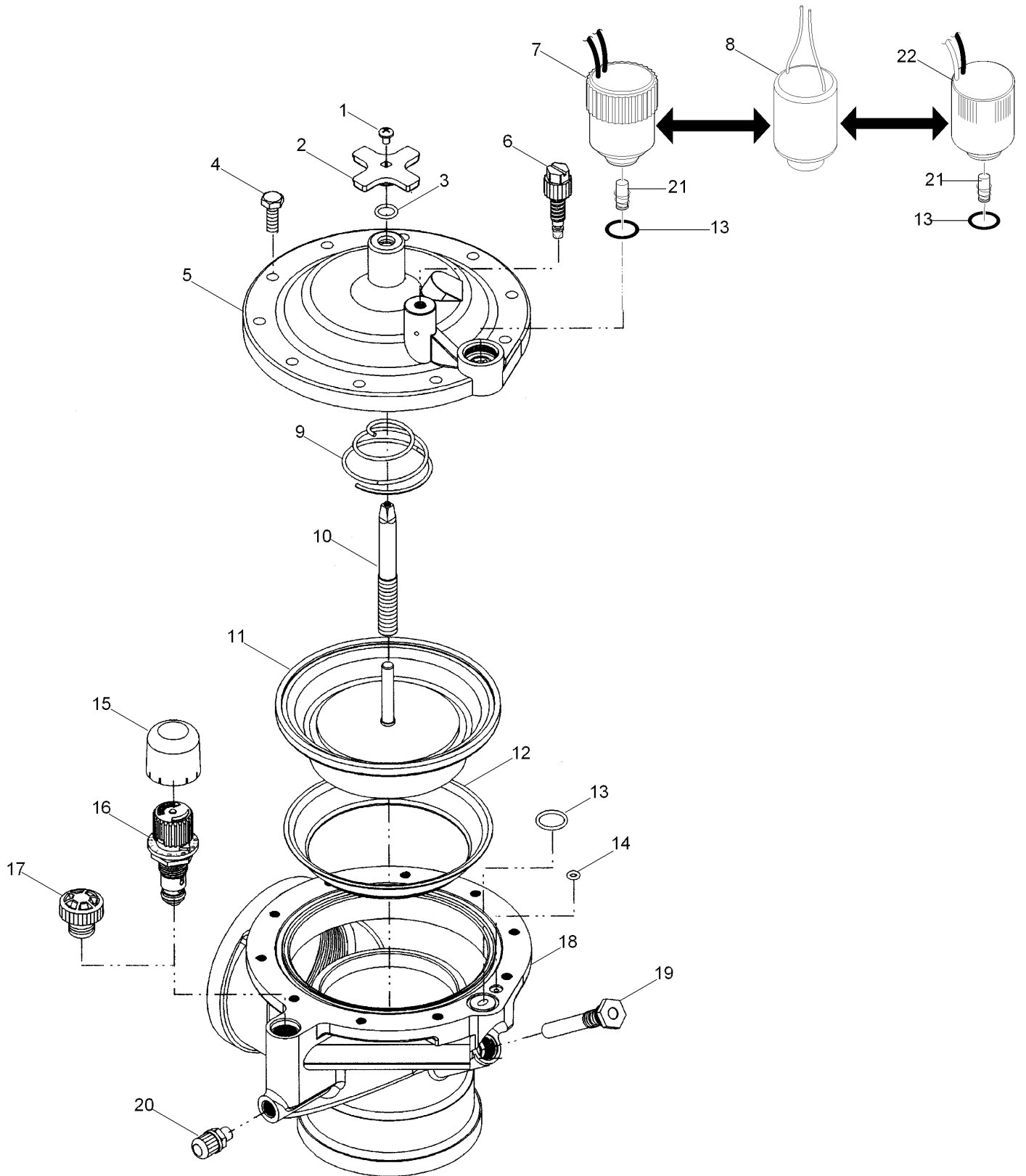
<i>Ref.</i>	<i>Part Number</i>	<i>Qty.</i>	<i>Description</i>	<i>Ref.</i>	<i>Part Number</i>	<i>Qty.</i>	<i>Description</i>
16	9-2623		Tube, 1/4" X 8", El		89-3855		Diaphragm Kit, El 232/252
17	9-1876		Tube, 1/4" X 12", Pr And Cr				Valves (Includes Items 10
18	35-4931		Filter ASM, Regulator, .034, Pr And Cr (Includes O-Ring)				And 11) ●■
19	900-40		Retainer, Tube ▲		35-0596		Cap Assy., Valve, El
20	363-3141		Regulator-Water Pressure, Plastic Valve, Pr		35-0768		(Includes Items 4-6) ●■
21	363-1762		Valve, Schrader, 1/8", Pr, Npt		35-4940		Cap Assy., Valve, No
22	35-3444		Bracket, Regulator, Pr		35-4926		(Includes Items 4-7) ●■
23	363-1894		Nut-Regulator, Pr				Cap Assy., Valve, Pr
	35-3099		Solenoid Assy., El And Pr (Includes Items 13 And 14) ●■		89-0806		(Includes Items 4-7) ●■
	102-1214		Plug, Pipe, 2", BSP ●■				Regulator Assy., Valve, Plastic, Pr (Includes Items
	89-3854		Diaphragm Kit, El, 232 Valve (Includes Items 10 And 11) ●■		360-0494		20-23) ●■
							Bleed Screw, Fast, 2 Inch ●
							■
							O-Ring ●■

● SERVICE ITEMS

▲ Order Through Finished Goods Distribution System - Minneapolis

■ Not illustrated

220 Series, 2.5" and 3" Valves



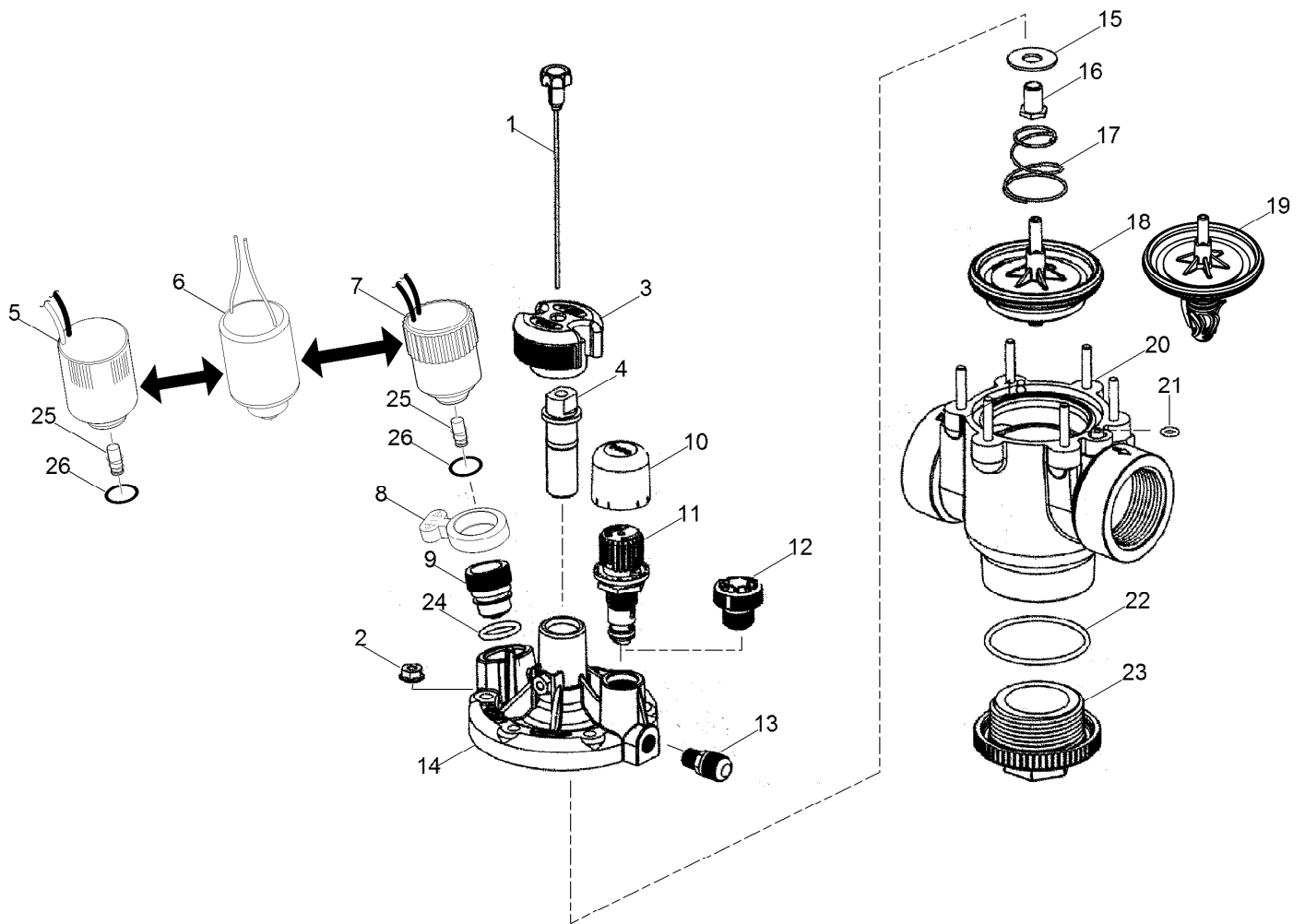
220 Series, 2.5" and 3" Valves (continued)

<i>Ref.</i>	<i>Part Number</i>	<i>Qty.</i>	<i>Description</i>	<i>Ref.</i>	<i>Part Number</i>	<i>Qty.</i>	<i>Description</i>
1	360-0498	1	Screw, Machine, 8-32 X 1/4"	14	360-0530	1	O-Ring, El And Pr (0.070 X 0.145 X 0.285)
2	9-4527	1	Handle, Cross	15	835203	1	Cap, Vandal Resistant (Pressure Regulating Models Only)
3	360-0493	1	O-Ring, 0.070 X 0.364 X 0.504	16	EZR-30	1	Regulator Module, 30 Psi (Includes Item 15) (Pressure Regulating Models Only) ■
4	360-0499	10	Screw, Machine, 1/4-20 X 3/4"	16	EZR-100	1	Regulator Module, 100 Psi (Includes Item 15) (Pressure Regulating Models Only) ■
5	89-9541	1	Cap, Valve	17	89-9521	1	Blanking Plug Assy. (Non-Pressure Regulating Models Only)
6	102-0208	1	Bleed Screw Assy.	18		1	Body, Brass ●
7	102-3443	1	Solenoid-Low Wattage, W/Surge Protection (Black Wires)	19	102-0692	1	Filter Assy., Metering
8	118-5982	1	Solenoid Assy. With Plunger, 24 Vac, 60 Hz	20	834101	1	Valve Assy., Schrader
8	118-5983	1	Solenoid Assy. With Plunger, 24 Vac, 50 Hz	21	118-6446	1	Plunger Assy. (Used With Items 22 And 7)
9	89-1744	1	Spring, Diaphragm	22	102-2709	1	Solenoid Assy., 24Vdc, Latching (Red W/ White Stripe And Black)
10	9-4543	1	Stem, Flow Control				
11	89-6421	1	Diaphragm Assy.				
12	89-8126	1	Support, Diaphragm				
13	360-0220	2	O-Ring (0.070 X 0.551 X 0.691) (As568-015) (Used With Item 7)				

● Not serviced separately

■ Order Through Finished Goods Distribution System - Minneapolis

P-220, P-220G and Scrubber Series, 1" Valve



P-220, P-220G and Scrubber Series, 1" Valve (continued)

<i>Ref.</i>	<i>Part Number</i>	<i>Qty.</i>	<i>Description</i>	<i>Ref.</i>	<i>Part Number</i>	<i>Qty.</i>	<i>Description</i>
1	102-3756	1	Metering Rod Assy., P-220	13	834101	1	Valve Assy., Schrader
2	118-1721	7	Hex Nut, Flanged	14	102-0366	1	Bonnet Assy.
3	89-9780	1	Handle, Flow Control	15	856202	1	Stem Washer
4	102-0966	1	Stem Assy., Flow Control	16	1033-H	1	Bushing
5	102-2709	1	Solenoid Assy., 24Vdc, Latching (Red W/ White Stripe And Black)	17	H1040	1	Spring
6	118-5982	1	Solenoid Assy. With Plunger, 24 Vac, 60 Hz	18	102-0368	1	Diaphragm Assy.
6	118-5983	1	Solenoid Assy. With Plunger, 24 Vac, 50 Hz	19	p220S-KIT-04	1	Assy., Kit, Service, Scrubber, 1" (Includes Items 19 And 20) ♦
7	102-3443	1	Solenoid-Low Wattage, W/Surge Protection (Black Wires)	20		1	Valve Body Assy. ▲
8	606902	1	Handle, Bleed Plug	21	1054-H	1	O-Ring, Body
9	102-4787	1	Bleed Plug	22	2413	1	O-Ring, Body Plug
10	835203	1	Cap, Vandal Resistant (Pressure Regulating Models Only)	23	536203	1	Plug, Body, Npt & BSP
11	EZR-30	1	Regulator Module, 30 Psi (Includes Item 10) ♦	24	1009701	1	O-Ring, Bleed Plug
11	EZR-100	1	Regulator Module, 100 Psi (Includes Item 10) ♦	25	118-6446	1	Plunger Assy. (Used With Items 5 And 7)
12	89-9521	1	Blanking Plug Assy. (Non-Pressure Regulating Models Only))	26	360-0220	1	O-Ring (0.070 X 0.551 X 0.691) (As568-015)
					102-0847		Assy., Kit, Service, 1" & 1.5", P-220 (Includes Items 2-4, 12-14 And 17) ●■

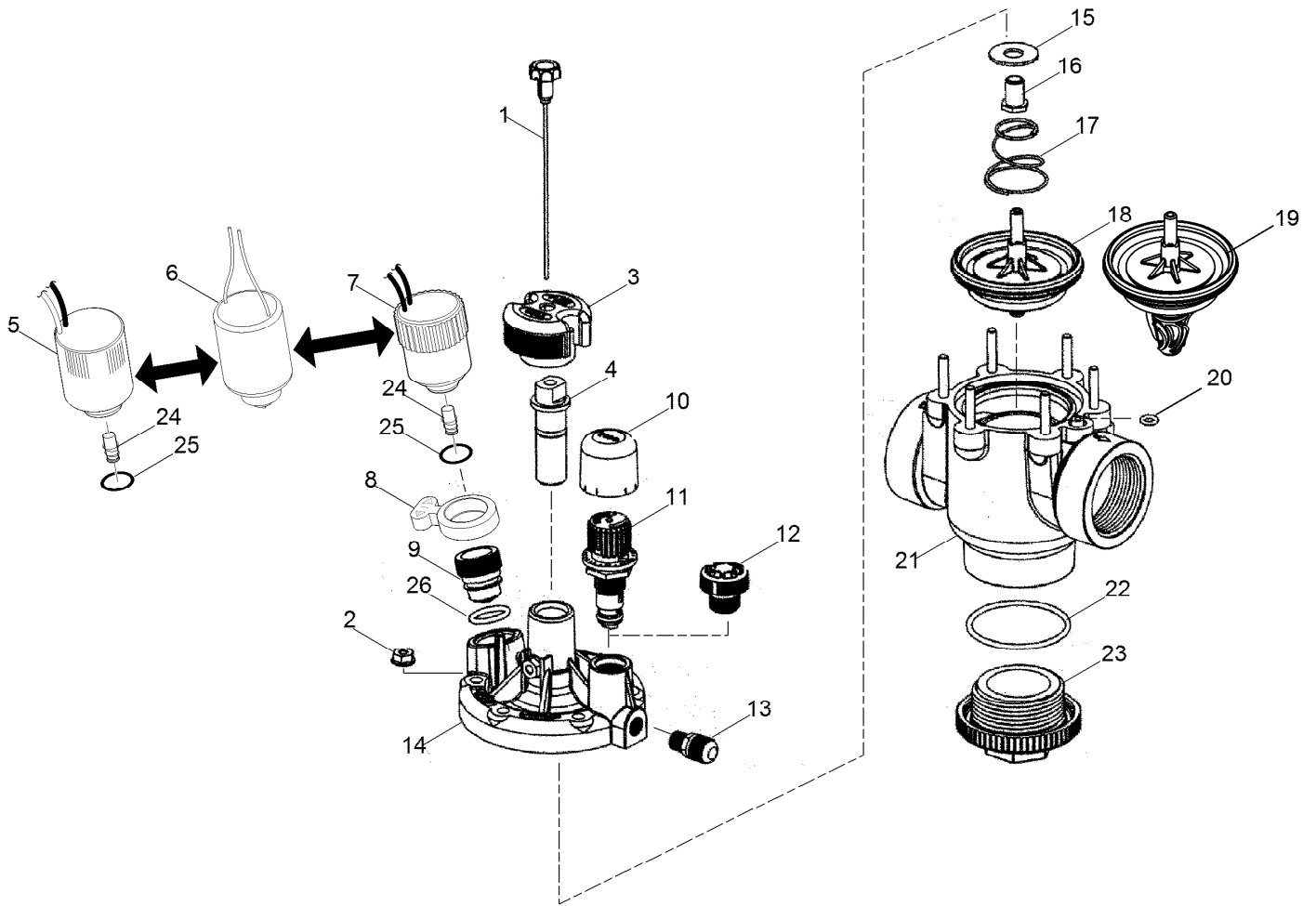
● SERVICE ITEMS

▲ Not serviced separately

♦ Order Through Finished Goods Distribution System - Minneapolis

■ Not illustrated

P-220, P-220G and Scrubber Series, 1.5" Valve



P-220, P-220G and Scrubber Series, 1.5" Valve (continued)

<i>Ref.</i>	<i>Part Number</i>	<i>Qty.</i>	<i>Description</i>	<i>Ref.</i>	<i>Part Number</i>	<i>Qty.</i>	<i>Description</i>
1	102-3756	1	Metering Rod Assy., P-220	12	89-9521	1	Blanking Plug Assy. (Non-Pressure Regulating Models Only)
2	118-1721	7	Hex Nut, Flanged	13	834101	1	Valve Assy., Schrader
3	89-9780	1	Handle, Flow Control	14	102-0366	1	Bonnet Assy.
4	102-0966	1	Stem Assy., Flow Control	15	856202	1	Stem Washer
5	102-2709	1	Solenoid Assy., 24Vdc, Latching (Red W/ White Stripe And Black)	16	1033-H	1	Bushing
6	118-5982	4	Solenoid Assy. With Plunger, 24 Vac, 60 Hz	17	H1040	1	Spring
6	118-5983	1	Solenoid Assy. With Plunger, 24 Vac, 50 Hz	18	102-0770	1	Diaphragm Assy.
7	102-3443	1	Solenoid-Low Wattage, W/Surge Protection (Black Wires)	19	P220S-KIT-06	1	Assy., Kit, Service, Scrubber, 1.5" (Includes Items 19 And 20) ♦
8	606902	1	Handle, Bleed Plug	20	1054-H	1	O-Ring, Body
9	102-4787	1	Bleed Plug	21	363-4764	1	Valve Body Assy. ▲
10	835203	1	Cap, Vandal Resistant (Pressure Regulating Models Only)	22	209406	1	O-Ring, Body Plug
11	EZR-30	1	Regulator Module, 30 Psi (Includes Item 10) (Pressure Regulating Models Only) ♦	23	209406	1	Plug, Body, Npt & BSP
11	EZR-100	1	Regulator Module, 100 Psi (Includes Item 10) (Pressure Regulating Models Only) ♦	24	118-6446	1	Plunger Assy. (Used With Items 5 And 7)
				25	360-0220	1	O-Ring, 0.070" X 0.551" X 0.691", EI And Pr (Used With Items 5 And 7)
				26	1009701 102-0847	1	O-Ring, Bleed Plug Assy., Kit, Service, 1" & 1.5", P-220 (Includes Items 2-4, 12-14 And 17) ●■

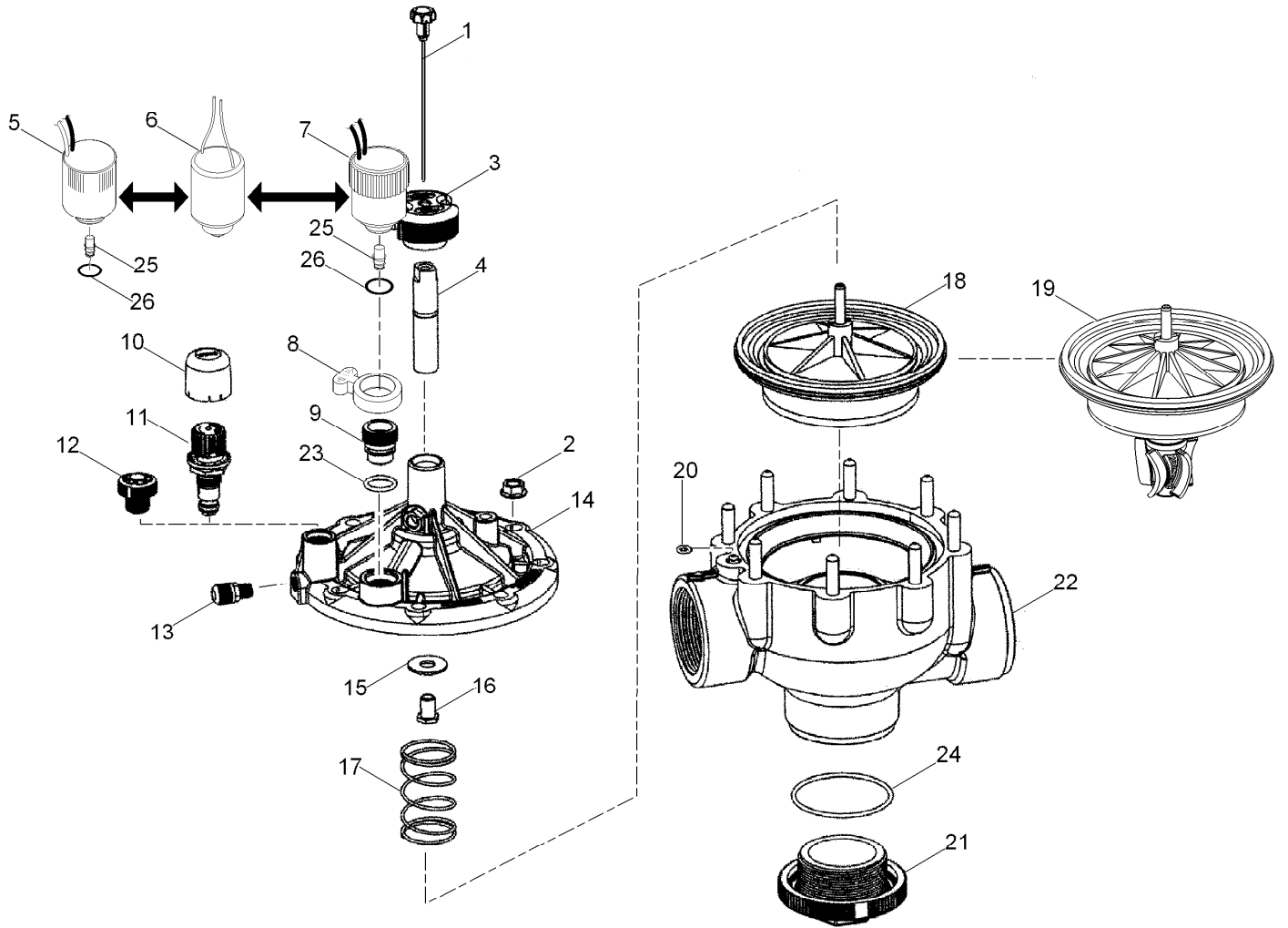
● SERVICE ITEMS

▲ Not serviced separately

♦ Order Through Finished Goods Distribution System - Minneapolis

■ Not illustrated

P-220, P-220G and Scrubber Series, 2" Valve



P-220, P-220G and Scrubber Series, 2" Valve (continued)

<i>Ref.</i>	<i>Part Number</i>	<i>Qty.</i>	<i>Description</i>	<i>Ref.</i>	<i>Part Number</i>	<i>Qty.</i>	<i>Description</i>
1	102-0943	1	Metering Rod Assy., P-220	13	834101	1	Valve Assy., Schrader
2	118-1722	9	Nut-Hex Flange	14	102-0367	1	Bonnet Assy.
3	89-9780	1	Handle, Flow Control	15	1126	1	Washer-Flat
4	102-0967	1	Stem Assy., Flow Control	16	1033-H	1	Bushing
5	102-2709	1	Solenoid Assy., 24Vdc, Latching (Red W/ White Stripe And Black)	17	1041	1	Spring,2X3 SS
6	118-5982	1	Solenoid Assy. With Plunger, 24 Vac, 60 Hz	18	934501	1	Diaphragm Assy.
6	118-5983	1	Solenoid Assy. With Plunger, 24 Vac, 50 Hz	19	P220S-KIT-08	1	Assy., Kit, Service, 2" & 3" P-220 (Includes Items 19 And 20) ♦
7	102-3443	1	Solenoid-Low Wattage, W/Surge Protection (Black Wires)	20	1054-H	1	O-Ring, Body
8	606902	1	Handle, Bleed Plug	21	209506-H	1	Plug, Body, Npt
9	102-4787	1	Bleed Plug	21	209507	1	Plug, Body, BSP
10	835203	1	Cap, Vandal Resistant (Pressure Regulating Models Only)	22		1	Valve Body Assy. ▲
11	EZR-30	1	Regulator Module, 30 Psi (Includes Item 10) (Pressure Regulating Models Only) ♦	23	1009701	1	O-Ring, Bleed Plug
11	EZR-100	1	Regulator Module, 100 Psi (Includes Item 10) (Pressure Regulating Models Only) ♦	24	935901	1	O-Ring, Body Plug
12	89-9521	1	Blanking Plug Assy. (Non-Pressure Regulating Models Only)	25	118-6446	1	Plunger Assy. (Used With Items 5 And 7)
				26	360-0220	1	O-Ring, 0.070" X 0.551" X 0.691", El And Pr (Used In Items 5 And 7)
					102-0848		Assy., Kit, Service, 2" & 3" P-220 (Includes Items 1-3, 12-14 And 17)-●■

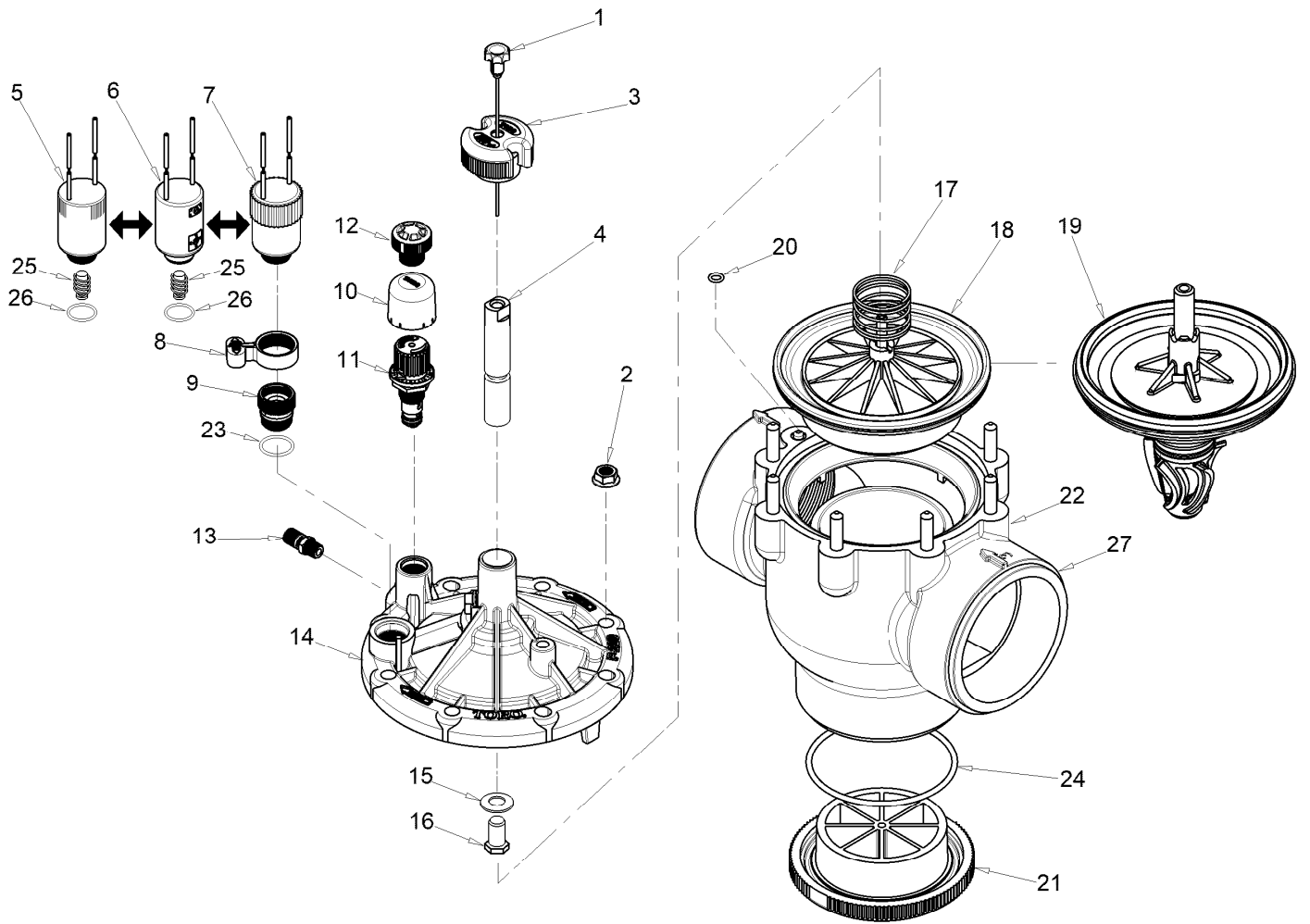
● SERVICE ITEMS

▲ Not serviced separately

♦ Order Through Finished Goods Distribution System - Minneapolis

■ Not illustrated

P-220 and Scrubber Series, 3" Valve



P-220 and Scrubber Series, 3" Valve (continued)

<i>Ref.</i>	<i>Part Number</i>	<i>Qty.</i>	<i>Description</i>	<i>Ref.</i>	<i>Part Number</i>	<i>Qty.</i>	<i>Description</i>
1	102-0943	1	Metering Rod Assy., P-220	15	1126	1	Washer-Flat
2	118-1722	9	Nut-Hex Flange	16	1033-H	1	Bushing
3	89-9780	1	Handle, Flow Control	17	1041	1	Spring,2X3 SS
4	102-0967	1	Stem Assy., Flow Control	18	935001	1	Diaphragm Assy.
5	102-2709	1	Solenoid Assy., 24Vdc, Latching (2-Wire Decoder)	19	P220S-KIT-010	1	Diaphragm Kit, Scrubber, 3 Inch ◆
6	118-5982	1	Solenoid Assy. With Plunger, 24 Vac, 60 Hz	19	P220S-KIT-00	1	Diaphragm Kit, Scrubber, 3 □
6	102-7054	1	Solenoid Assy. With Plunger, 24 Vac, 50 Hz	20	1054-H	1	O-Ring, Body
7	102-3443	1	Solenoid-Low Wattage, W/Surge Protection (Black Wires)	21	209605-H	1	Plug, Body, Npt
8	606902	1	Handle, Bleed Plug	21	209606-H	1	Plug, Body, BSP
9	102-4787	1	Bleed Plug	22		1	Valve Body Assy. ▲
10	835203	1	Cap, Vandal Resistant (Pressure Regulating Models Only)	23	1009701	1	O-Ring, Bleed Plug
11	EZR-30	1	Regulator Module, 30 Psi (Includes Item 10) (Pressure Regulating Models Only) □	24	RS100-238-70N	1	Plunger Assy. (Used With Items 5 And 7)
11	EZR-100	1	Regulator Module, 100 Psi (Includes Item 10) (Pressure Regulating Models Only) □	25	118-6446	1	Plunger Assy.
12	89-9521	1	Blanking Plug Assy. (Non-Pressure Regulating Models Only)	26	360-0220	1	O-Ring (0.070 X 0.551 X 0.691) (As568-015) (Used With Items 5 And 7)
13	834101	1	Valve Assy., Schrader	27	R934901	1	P-220 Body Kit, Npt (For P220-Xx-00 And P220S-Xx-00 Models Only)
14	102-0367	1	Bonnet Assy.	27	R934902	1	P-220 Body Kit, BSP (For P220-Xx-00 And P220S-Xx-00 Models Only)
					102-0848		Assy., Kit, Service, 2" & 3" P-220 (Includes Items 1-3, 12-14 And 17)) ● ■

● SERVICE ITEMS

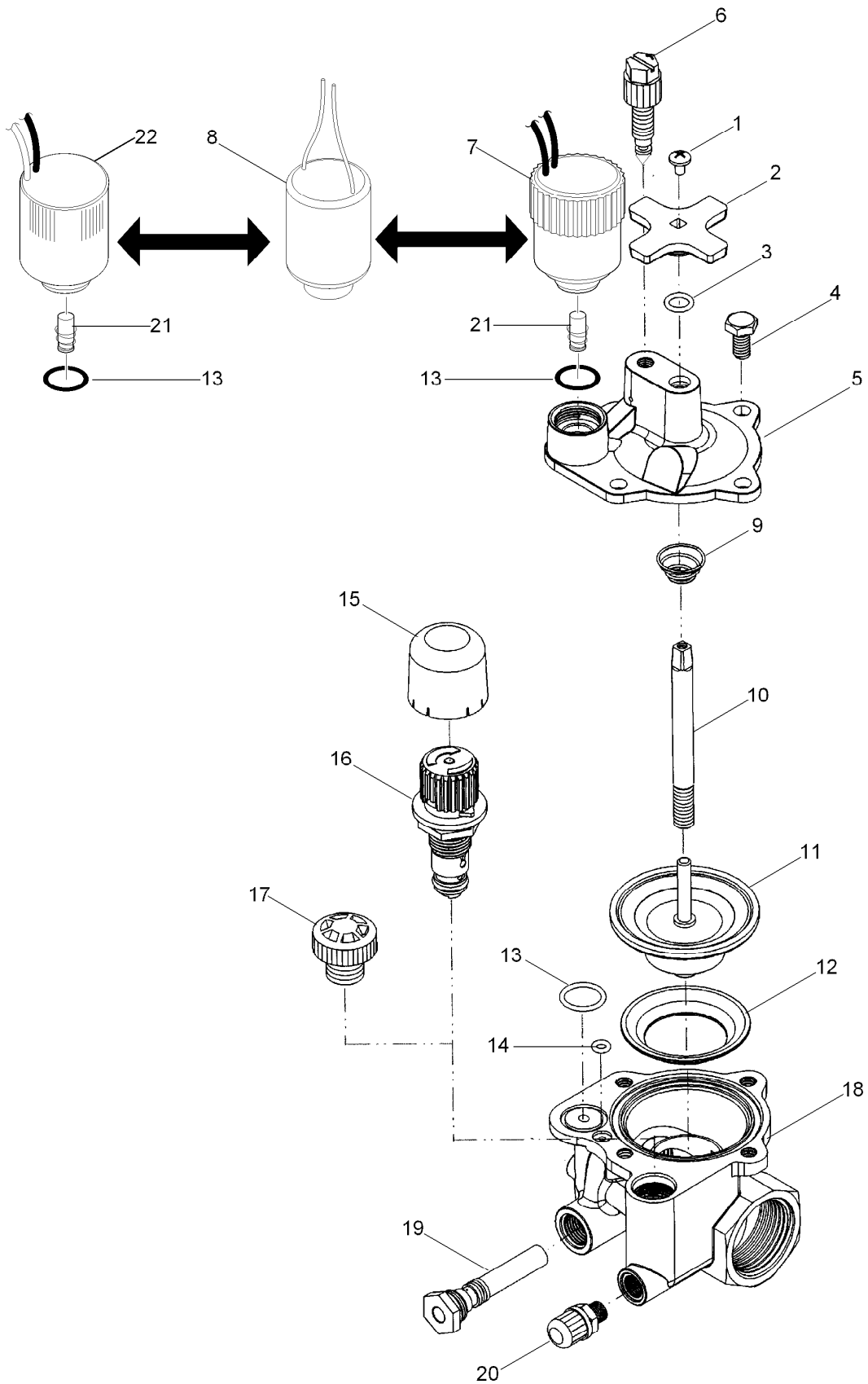
▲ Not serviced separately

◆ Order Through Finished Goods Distribution System?Minneapolis

□ Order Through Finished Goods Distribution System - Minneapolis

■ Not illustrated

220, 220G Series, 1" Valve, Pressure Reg.



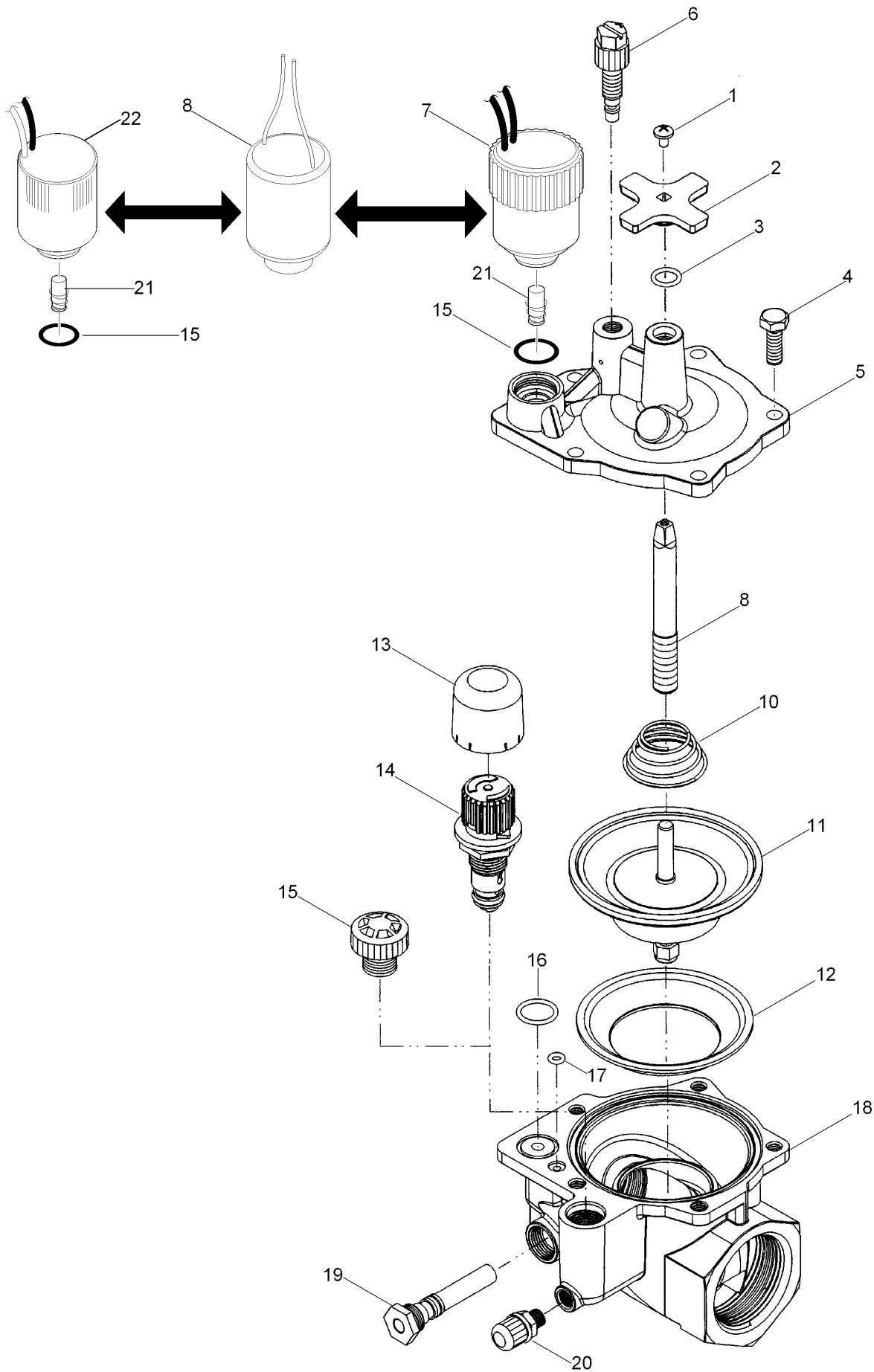
220, 220G Series, 1" Valve, Pressure Reg. (continued)

<i>Ref.</i>	<i>Part Number</i>	<i>Qty.</i>	<i>Description</i>	<i>Ref.</i>	<i>Part Number</i>	<i>Qty.</i>	<i>Description</i>
1	360-0498	1	Screw, Machine, 8-32 X 1/4"	15	835203	1	Cap, Vandal Resistant (Pressure Regulating Models Only)
2	9-4527	1	Handle, Cross	16	EZR-30	1	Regulator Module, 30 Psi (Includes Item 15) ■
3	360-0107	1	O-Ring	16	EZR-100	1	Regulator Module, 100 Psi (Includes Item 15) ■
4	363-8634	4	Screw-Cap, HH	17	89-9521	1	Blanking Plug Assy. (Non-Pressure Regulating Models Only)
5	89-9538	1	Cap, Valve	18		1	Body, Brass (Pressure Regulated) ●
6	102-0208	1	Bleed Screw Assy.	19	102-0690	1	Filter Assy., Metering, 1" & 1.5"
7	102-3443	1	Solenoid-Low Wattage, W/Surge Protection (Black Wires)	20	834101	1	Valve Assy., Schrader
8	118-5982	1	Solenoid Assy. With Plunger, 24 Vac, 60 Hz	21	118-6446	1	Plunger Assy. (Used With Items 22 And 7)
8	118-5983	1	Solenoid Assy. With Plunger, 24 Vac, 50 Hz	22	102-2709	1	Solenoid Assy., 24Vdc, Latching (Red W/ White Stripe And Black)
9	9-5146	1	Spring, Diaphragm				
10		1	Stem Assembly ●				
11	9-5359	1	Diaphragm Assy., 1" Brass				
12	35-2639	1	Support, Diaphragm				
13	360-0220	2	O-Ring (0.070 X 0.551 X 0.691) (As568-015) (Used With Item 7)				
14	360-0530	1	O-Ring, El And Pr (0.070 X 0.145 X 0.285)				

● Not serviced separately

■ Order Through Finished Goods Distribution System - Minneapolis

220, 220G Series, 1.25" and 1.5", Pressure Reg.



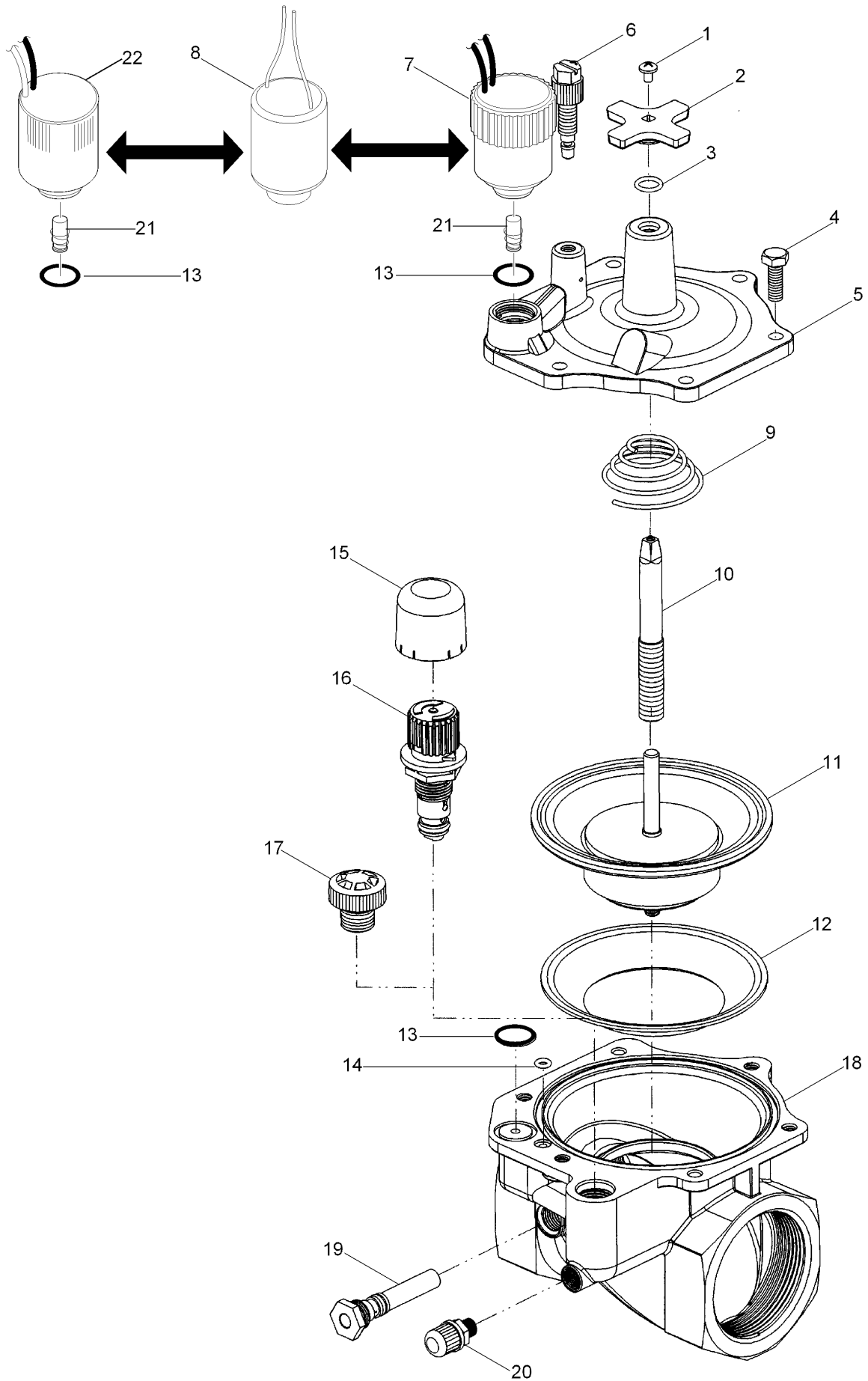
220, 220G Series, 1.25" and 1.5", Pressure Reg. (continued)

<i>Ref.</i>	<i>Part Number</i>	<i>Qty.</i>	<i>Description</i>	<i>Ref.</i>	<i>Part Number</i>	<i>Qty.</i>	<i>Description</i>
1	360-0498	1	Screw, Machine, 8-32 X 1/4"	14	EZR-100	1	Regulator Module, 100 Psi (Used With Item 13) (Pressure Regulating Models Only) ■
2	9-4527	1	Handle, Cross				
3	360-0493	1	O-Ring, 0.070 X 0.364 X 0.504	15	89-9521	1	Blanking Plug Assy. (Non-Pressure Regulating Models Only)
4	360-0499	5	Screw, Machine, 1/4-20 X 3/4"	16	360-0220	2	O-Ring (0.070 X 0.551 X 0.691) (As568-015) (Used With Item 7)
5	89-9539	1	Cap, Valve	17	360-0530	1	O-Ring, EI And Pr (0.070 X 0.145 X 0.285)
6	102-0208	1	Bleed Screw Assy.	18		1	Body, Brass (Pressure Regulated) ●
7	102-3443	1	Solenoid-Low Wattage, W/Surge Protection (Black Wires)	19	102-0690	1	Filter Assy., Metering, 1" & 1.5"
8	118-5982	1	Solenoid Assy. With Plunger, 24 Vac, 60 Hz	20	834101	1	Valve Assy., Schrader
8	118-5983	1	Solenoid Assy. With Plunger, 24 Vac, 50 Hz	21	118-6446	1	Plunger Assy. (Used With Items 22 And 7)
8	9-4424	1	Stem, Flow Control	22	102-2709	1	Solenoid Assy., 24Vdc, Latching (Red W/ White Stripe And Black)
10	102-0637	1	Spring, Diaphragm				
11	9-5361	1	Diaphragm Assy., 1.5" And 1.25"				
12	35-2452	1	Support, Diaphragm				
13	835203	1	Cap, Vandal Resistant (Pressure Regulating Models Only)				
14	EZR-30	1	Regulator Module, 30 Psi (Used With Item 13) (Pressure Regulating Models Only) ■				

● Not serviced separately

■ Order Through Finished Goods Distribution System - Minneapolis

220, 220G Series, 2" Valve, Pressure Reg.

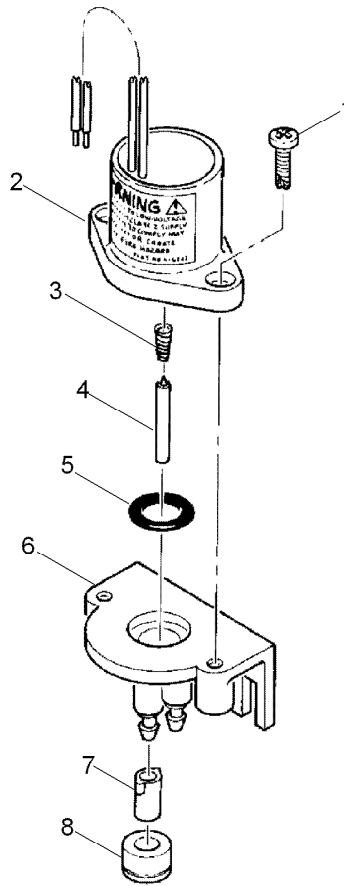


220, 220G Series, 2" Valve, Pressure Reg. (continued)

<i>Ref.</i>	<i>Part Number</i>	<i>Qty.</i>	<i>Description</i>	<i>Ref.</i>	<i>Part Number</i>	<i>Qty.</i>	<i>Description</i>
1	360-0498	1	Screw, Machine, 8-32 X 1/4"	15	835203	1	Cap, Vandal Resistant (Pressure Regulating Models Only)
2	9-4527	1	Handle, Cross	16	EZR-30	1	Regulator Module, 30 Psi (Includes Item 16) (Pressure Regulating Models Only) ■
3	360-0493	1	O-Ring, 0.070 X 0.364 X 0.504	16	EZR-100	1	Regulator Module, 100 Psi (Includes Item 16) (Pressure Regulating Models Only) ■
4	360-0499	6	Screw, Machine, 1/4-20 X 3/4"	17	89-9521	1	Blanking Plug Assy. (Non-Pressure Regulating Models Only)
5	89-9540	1	Cap, Valve	18		1	Body, Brass ●
6	102-0208	1	Bleed Screw Assy.	19	102-0691	1	Filter Assy., Metering, 2"
7	102-3443	1	Solenoid-Low Wattage, W/Surge Protection (Black Wires)	20	834101	1	Valve Assy., Schrader (Pressure Regulating Models Only)
8	118-5982	1	Solenoid Assy. With Plunger, 24 Vac, 60 Hz	21	118-6446	1	Plunger Assy. (Used With Items 22 And 7)
8	118-5983	1	Solenoid Assy. With Plunger, 24 Vac, 50 Hz	22	102-2709	1	Solenoid Assy., 24Vdc, Latching (Red W/ White Stripe And Black)
9	89-1652	1	Spring, Diaphragm				
10	9-4543	1	Stem, Flow Control				
11	9-5363	1	Diaphragm, Assy., 2"				
12	9-4541	1	Support, Diaphragm				
13	360-0220	2	O-Ring (0.070 X 0.551 X 0.691) (As568-015) (Used With Item 7)				
14	360-0530	1	O-Ring, El And Pr (0.070 X 0.145 X 0.285)				

● Not serviced separately

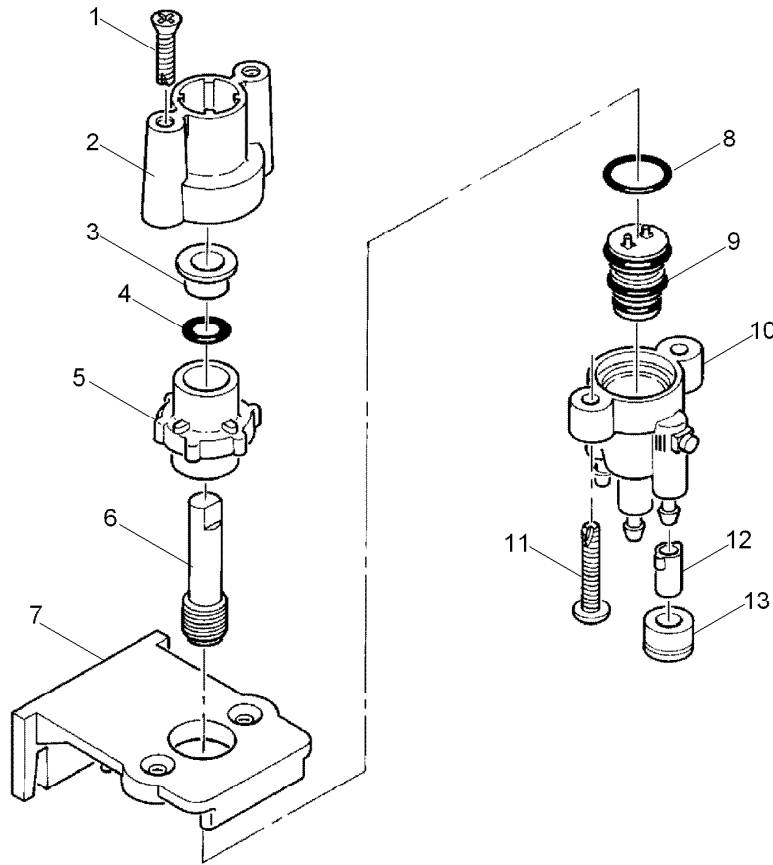
■ Order Through Finished Goods Distribution System - Minneapolis



2-Way Pilot Valve

<i>Ref.</i>	<i>Part Number</i>	<i>Qty.</i>	<i>Description</i>
1	360-0715	2	Screw, Tap, #10
2	89-0878	1	Solenoid And Plunger Assy., EI (Includes Items 2-4)
3	9-6148	1	Spring-Plunger, Solenoid, EI
4	9-6527	1	Plunger Assy., EI
5	2-9652	1	O-Ring, 7/16" X 5/8", No (As568-111)
6	9-8280	1	Body Assy., Valve
7	89-8157	2	Cap, 1/4", Poly, No
8	900-40	2	Retainer, Tube ●

● Order Through Finished Goods Distribution System - Minneapolis

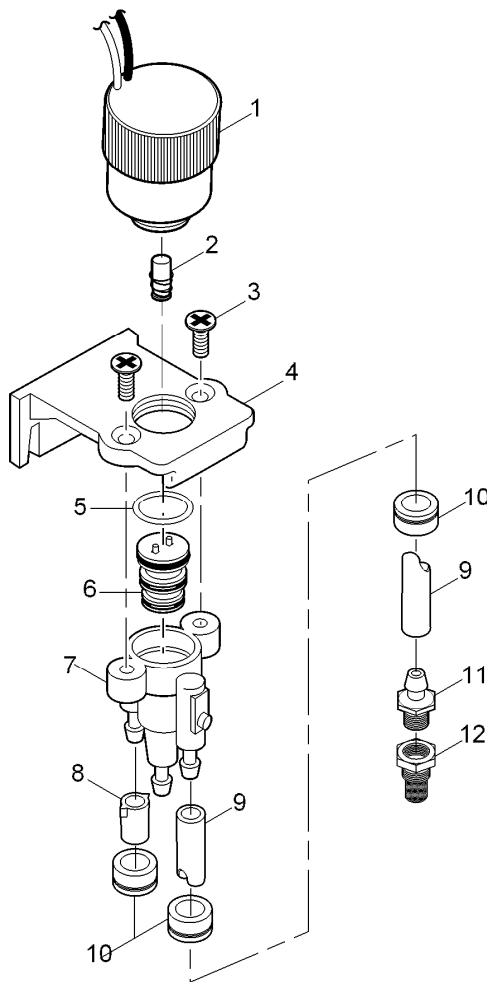


Manual Valve Actuator

Ref.	Part Number	Qty.	Description
1		2	Screw, Tap, #8 ●
2		1	Adapter (Includes Item 3) ●
3		1	Retainer, O-Ring ●
4	2-9652	1	O-Ring, 7/16" X 5/8", No (As568-111)
5		1	Cap ●
6		1	Stem, Control ●
7		1	Bracket, Mounting ●
8	360-0220	1	O-Ring (0.070 X 0.551 X 0.691) (As568-015)
9	102-5599	1	Actuator Assy. (Includes O-Rings)
10	35-0992	1	Body Assy., Pilot Valve
11		2	Screw, Tap, #8 ●
12	89-8157	3	Cap, 1/4", Poly, No
13	900-40	3	Retainer, Tube ■

● Not serviced separately

■ Order Through Finished Goods Distribution System - Minneapolis



3-Way Actuator

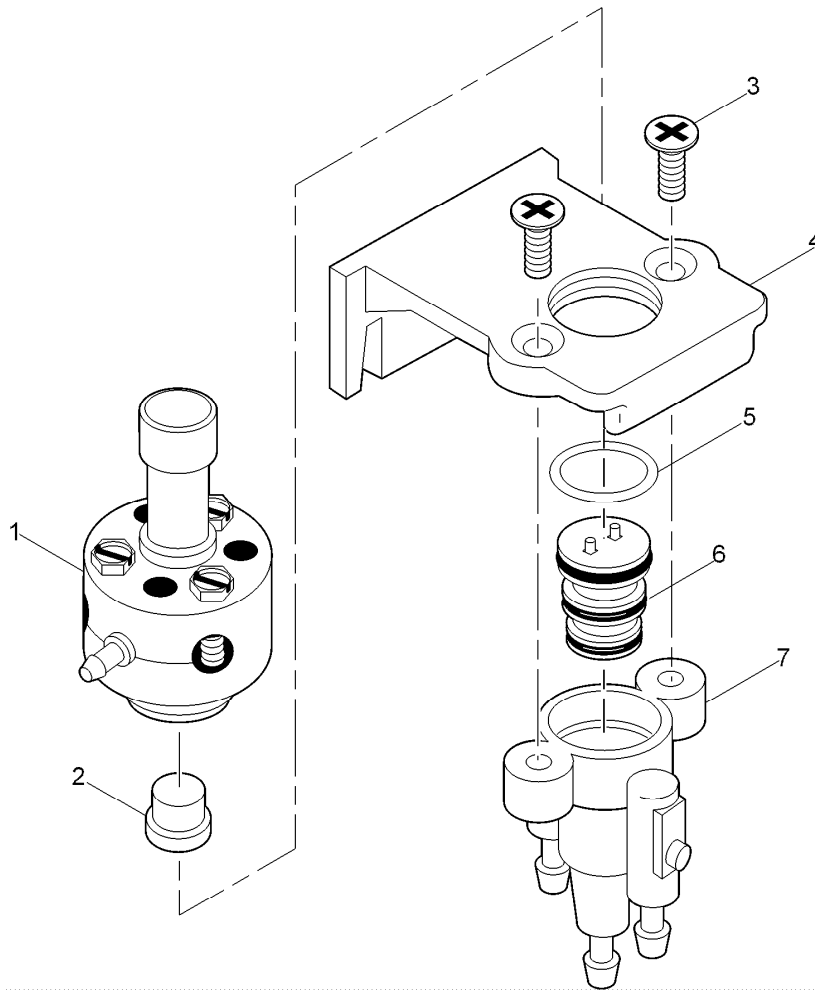
Ref.	Part Number	Qty.	Description
1	89-1673	1	Solenoid ASM
2	118-0262	1	Plunger Assy. With Spring, EI
3		2	Screw, Machine, 10-24 X 1/2" ▲
4		1	Bracket, Mounting ▲
5	360-0220	1	O-Ring (0.070 X 0.551 X 0.691) (As568-015)
6	102-5599	1	Actuator Assy. (Includes O-Rings)
7	35-0992	1	Body Assy., Pilot Valve (Used With 286-66-01)
8	89-8157	1	Cap, 1/4", Poly, No (Used With 286-66-01)
9		1	Tube, 1/4" X 36" (Used With 286-66-01) ▲
10	900-40	3	Retainer, Tube, Pr And Cr (Used With 286-66-01) ◆
11	900-24	1	Adapter-Poly, 1/8" X 1/4"
12	995-14	1	Fitting, Screen (Used With 286-66-01)
	35-4603		Kit, Service Assy. (Includes Items 3-7) (Used With 286-66-01) ●■
	35-4602		Kit, Service Assy. (Includes Items 3-7) (Use With 9-8482) ●■

● SERVICE ITEMS

▲ Not serviced separately

◆ Order Through Finished Goods Distribution System - Minneapolis

■ Not illustrated

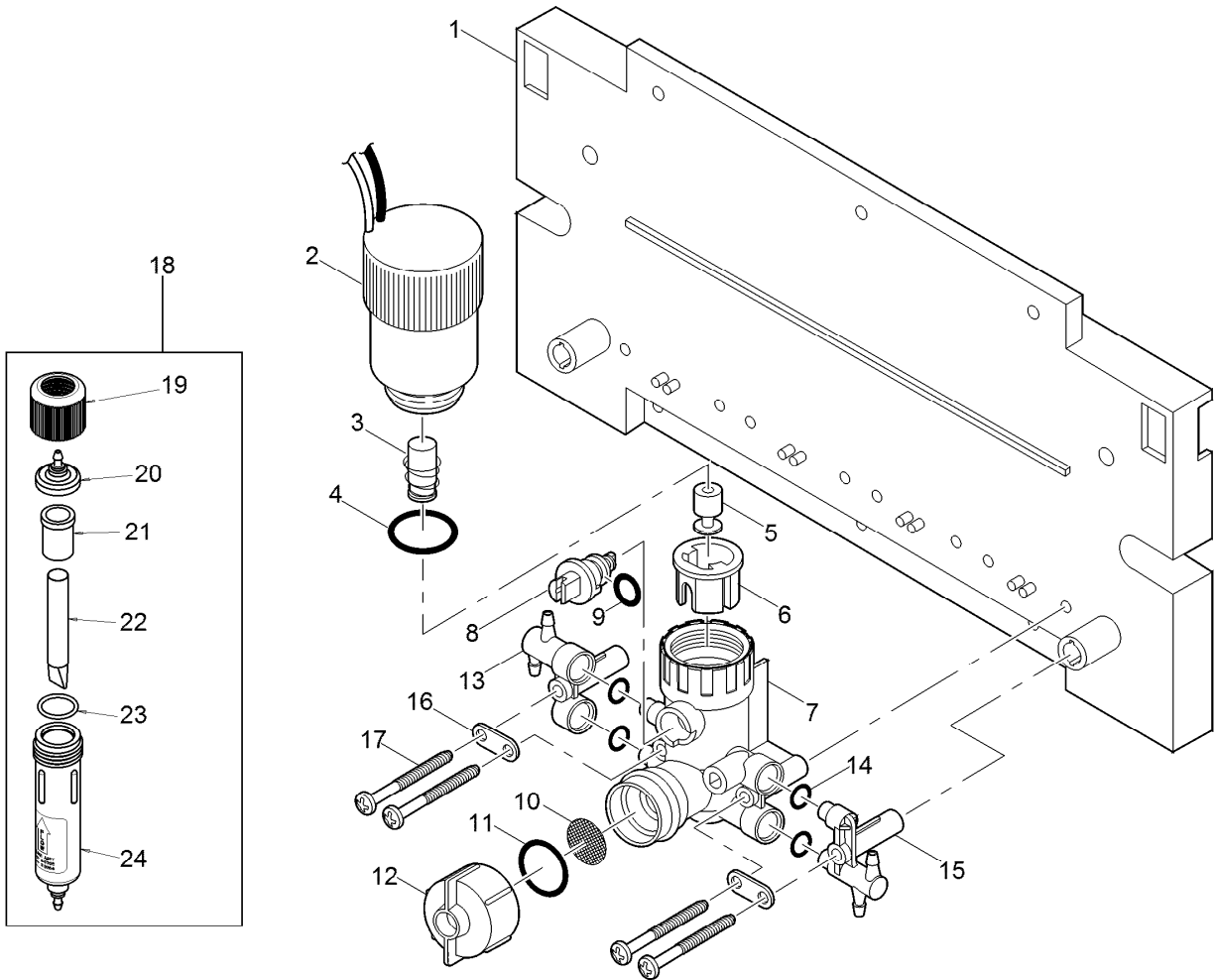


3-Way Actuator, (NC)

Ref.	Part Number	Qty.	Description
1	89-6005		Adapter-Pilot Valve, NC
2			Shuttle ▲
3			Screw, Machine, 10-24 X 1/2" ▲
4			Bracket, Mounting ▲
5	360-0220		O-Ring (0.070 X 0.551 X 0.691) (As568-015)
6	102-5599		Actuator Assy. (Includes O-Rings)
7		1	Body Assy., Pilot Valve ▲
	35-4603		Kit, Service Assy. (Includes Items 3-7) ● ■

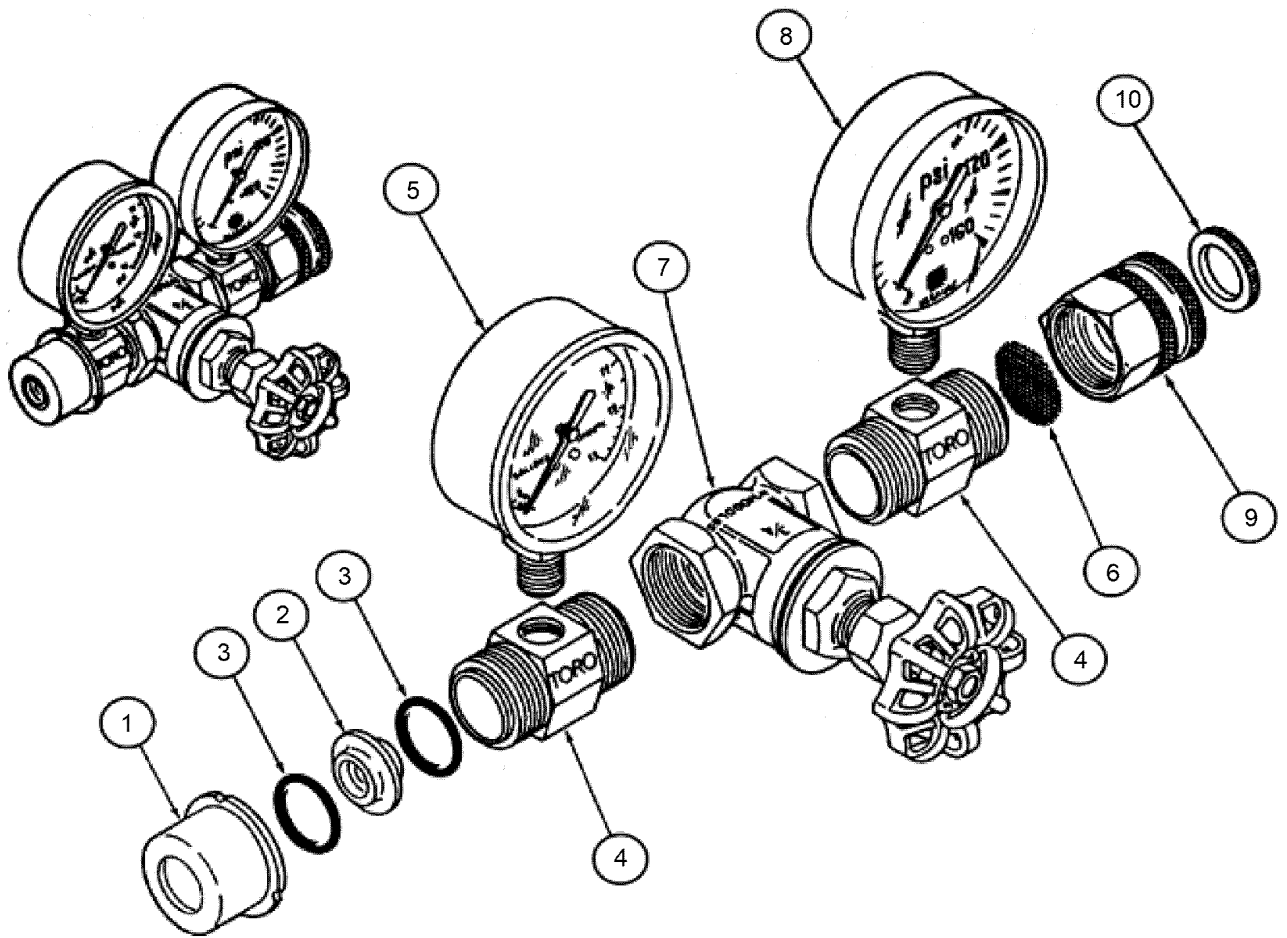
● SERVICE ITEMS
▲ Not serviced separately

■ Not illustrated



Electric-Hydraulic Converter Module Assembly

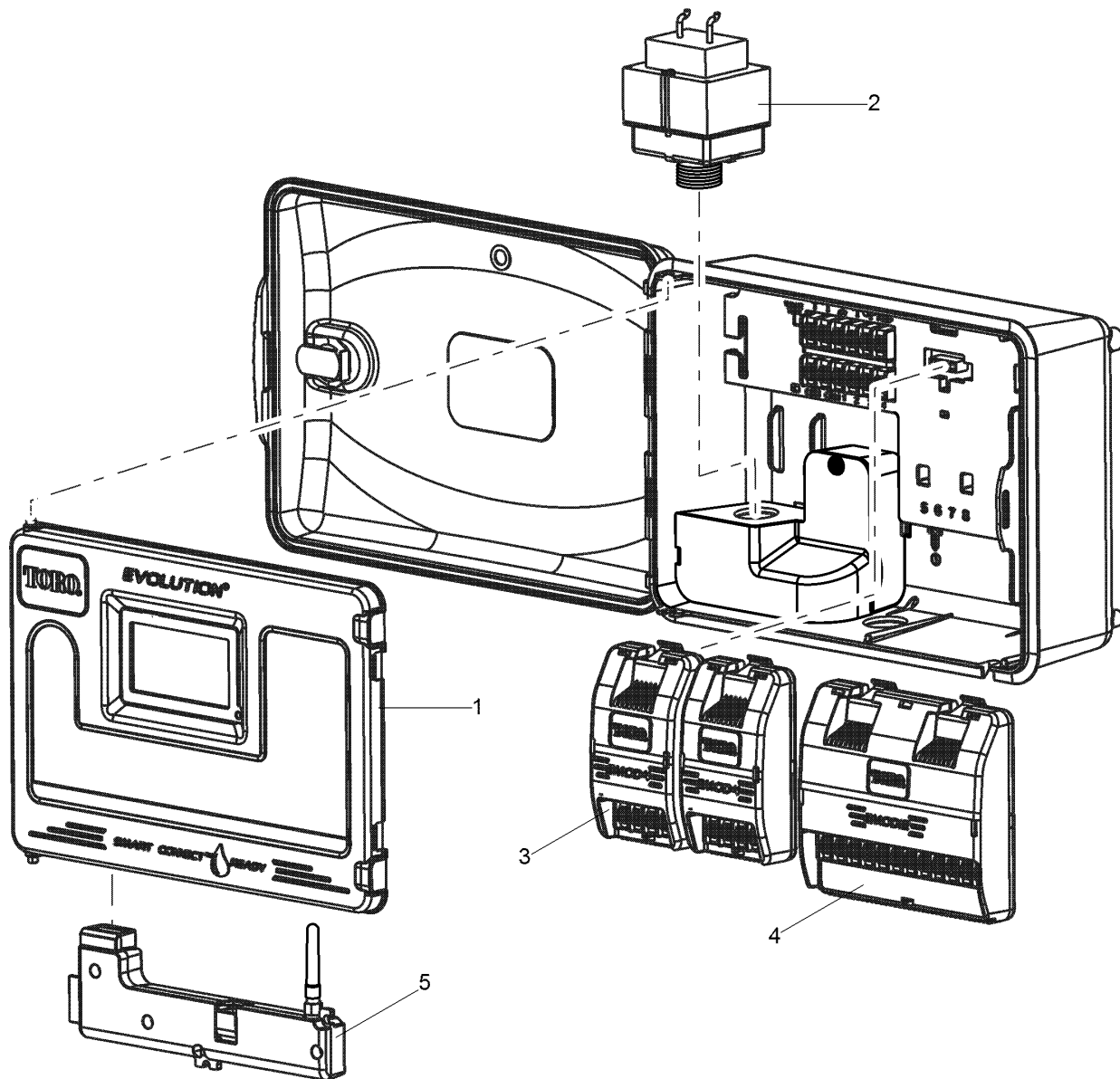
Ref.	Part Number	Qty.	Description	Ref.	Part Number	Qty.	Description
1	89-1662	1	Baseplate	12	102-4638	4	Cap, Filter
2	89-5985	4	Solenoid Assy.	12	89-8205	4	Cap Assy., Blind
3	118-0262	4	Plunger Assy. With Spring, EI	13	102-4641	1	Tee, Female
4	360-0220	4	O-Ring (0.070 X 0.551 X 0.691) (As568-015)	14	2-9654	10	O-Ring
5	102-5359	4	Plunger, Shuttle	15	102-4642	1	Tee, Male
6	102-5360	4	Sleeve	16	89-1675	2	Strap, Tie
7	89-8203	4	Body Assy., No With White Pins On Actuator	17	363-3158	7	Screw, #6 X 1.25"
7	89-8204	4	Body Assy., NC With Black Pins On Actuator	18	9-8364	1	Filter Assy. (Includes Items 19-24)
8	102-4636	4	Stem, Manual, No (White)	19	9-8276	1	Collar, Filter
8	102-4637	4	Stem, Manual, NC (Black)	20	35-9948	1	Filter Cap W/ Fitting, 1/4 Inch
9	360-0497	4	O-Ring	21	9-8279	1	Mount, Filter Screen
10	89-0371	4	Screen, Filter	22	9-6415	1	Filter Screen, Fine Mesh
11	360-0402	4	O-Ring	23	360-0487	1	O-Ring, Filter
				24	35-9948	1	Filter Body, 1/4 Inch



Flow Gauge, 995-01

Ref.	Part Number	Qty.	Description
1	9-4576	1	Threaded Insert, 3/4"
2	5-311	1	Orifice Plate
3	360-0596	2	O-Ring
4	9-6023	2	Nipple
5	5-309	1	Flow Gauge
6	5-307	1	Filter Screen
7		1	Gate Valve, 3/4" ●
8	5-308	1	Pressure Gauge
9	5-303	1	Hose To Pipe Fitting
10		1	Hose Washer, 3/4" ●

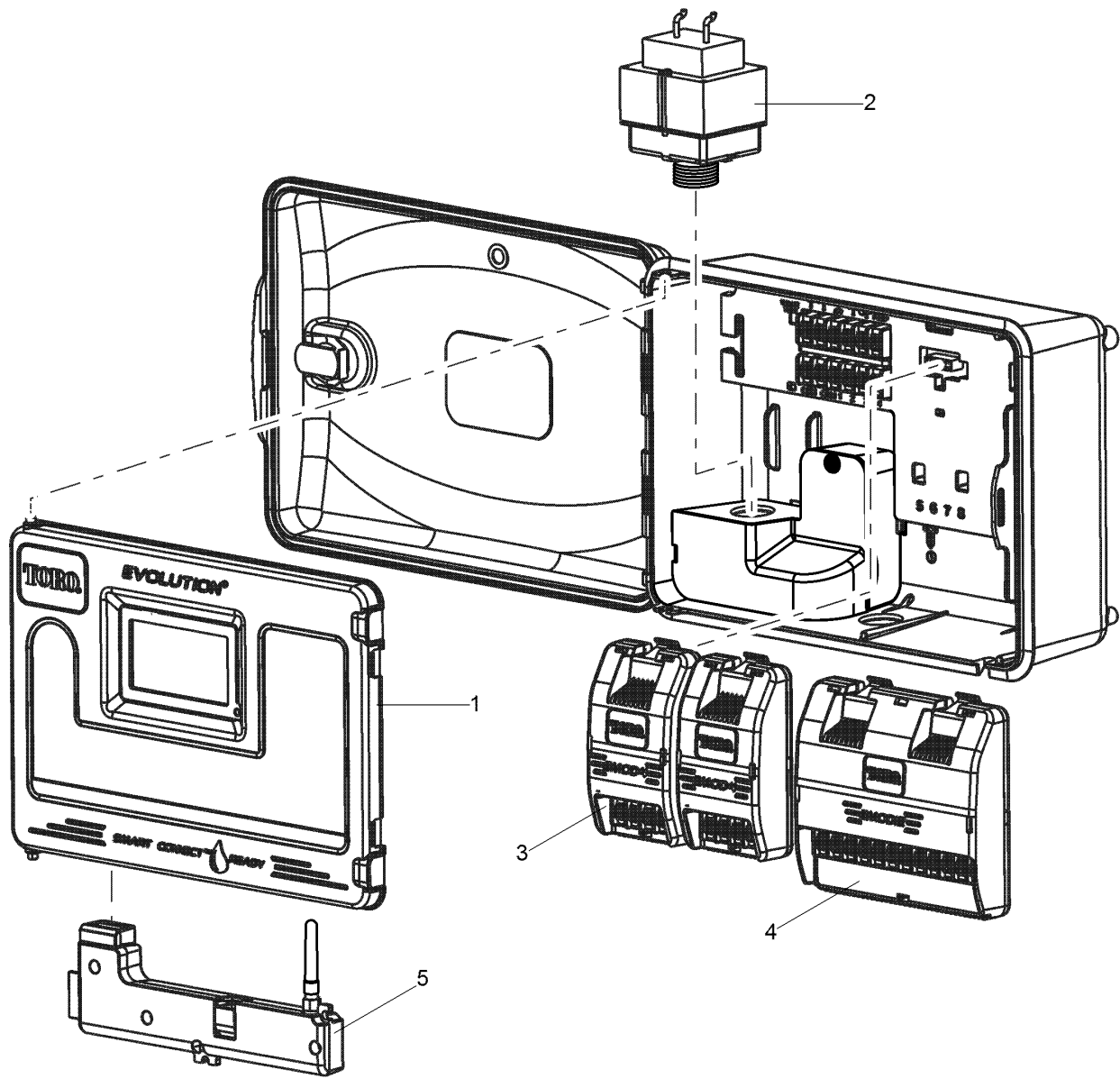
● Not serviced separately



EVOLUTION Controller

<i>Ref.</i>	<i>Part Number</i>	<i>Qty.</i>	<i>Description</i>
1	118-3132	1	Timing Mechanism Module, Evolution
2	118-3130	1	Transformer, 120 Vac, Evolution
2	118-3131	1	Transformer, 220-240 Vac, Evolution
3	EMOD-4	1	Output Module, 4-Station, Evolution (Optional) ●
4	EMOD-12	1	Output Module, 12-Station, Evolution (Optional) ●
5	EVO-SC	1	Receiver, Smart Connect, Evolution (Optional) ●

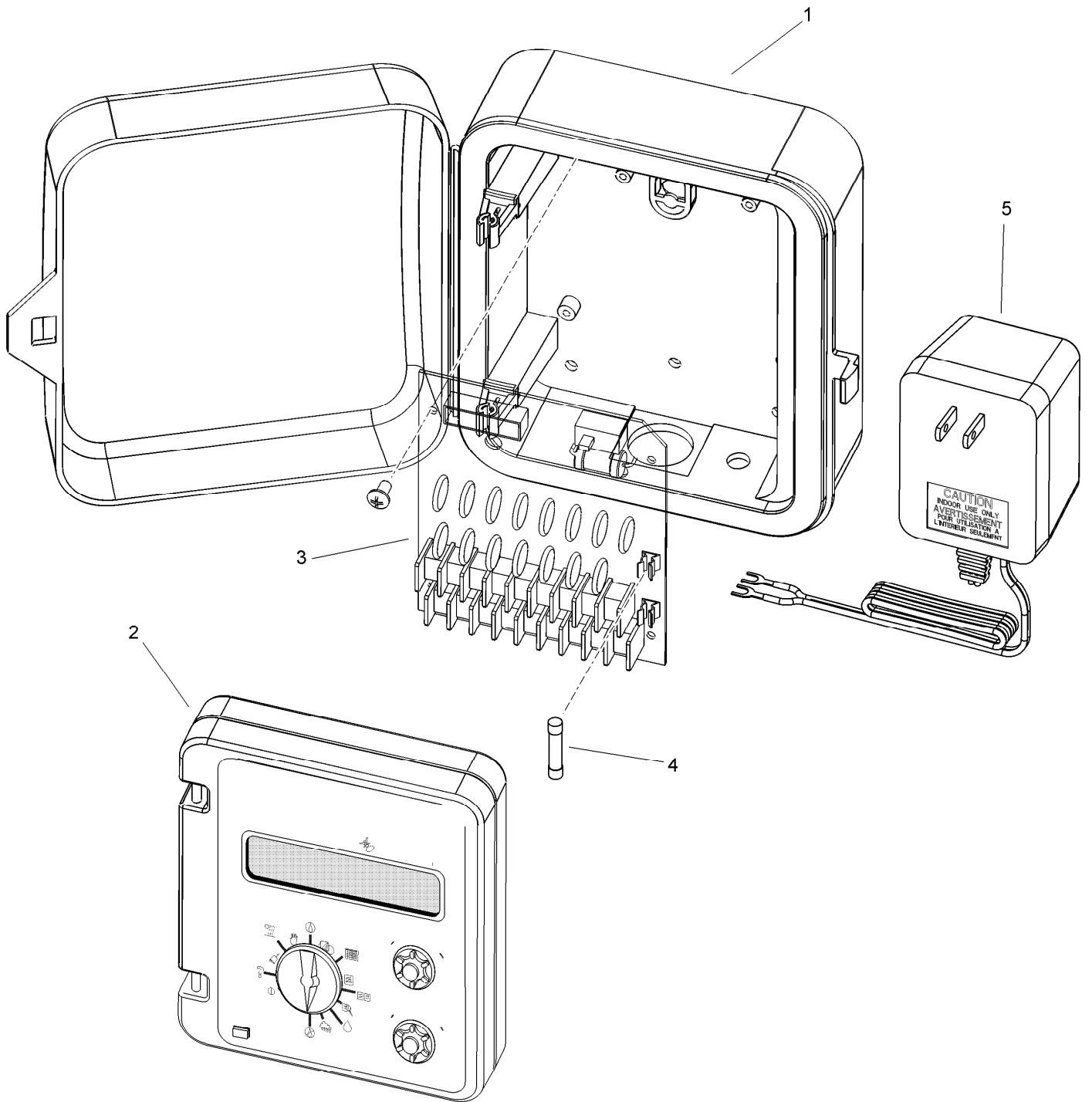
● Order Through Finished Goods Distribution System - Minneapolis



EVOLUTION Controller (continued)

● Order Through Finished Goods Distribution System - Minneapolis

TIS-612 - Indoor Controller

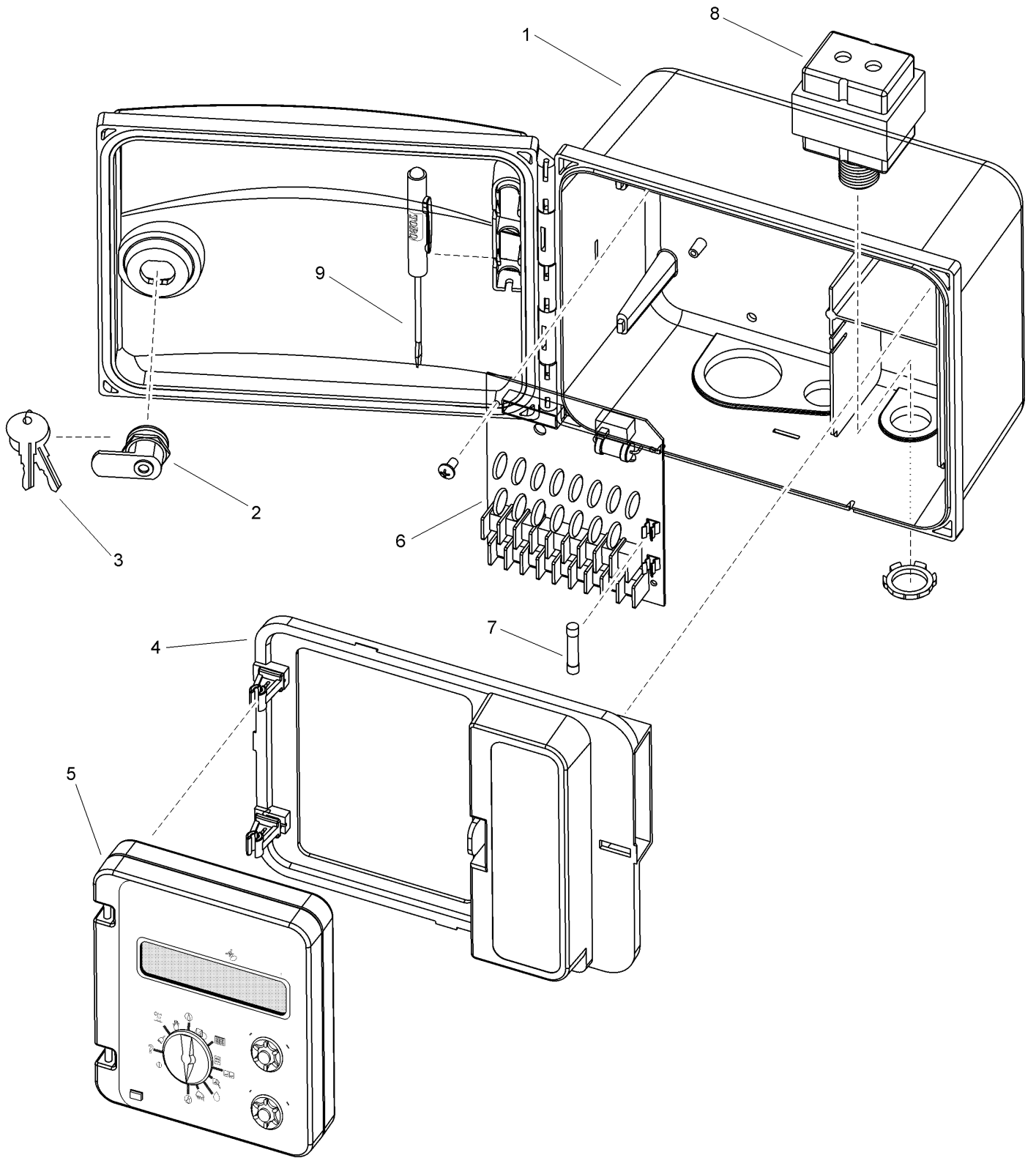


TIS-612 - Indoor Controller (continued)

<i>Ref.</i>	<i>Part Number</i>	<i>Qty.</i>	<i>Description</i>	<i>Ref.</i>	<i>Part Number</i>	<i>Qty.</i>	<i>Description</i>
1	102-4251	1	Case, Indoor	3	102-6857	1	Output Board, 6-Station
2	TIS-06-MOD	1	Timing Mechanism Module, 6-Station ●	3	102-6857	1	Output Board, 6-Station
2	TIS-09-MOD	1	Timing Mechanism Module, 9-Station ●	3	102-6857	1	Output Board, 6-Station
2	TIS-12-MOD	1	Timing Mechanism Module, 12-Station ●	4	102-3406	1	Fuse, 2 Amp , Slow-Blow (10-Pack)
				5	102-3441	1	Transformer, 120V, 60 Hz

● Order Through Finished Goods Distribution System - Minneapolis

TIS-612 - Outdoor Controller



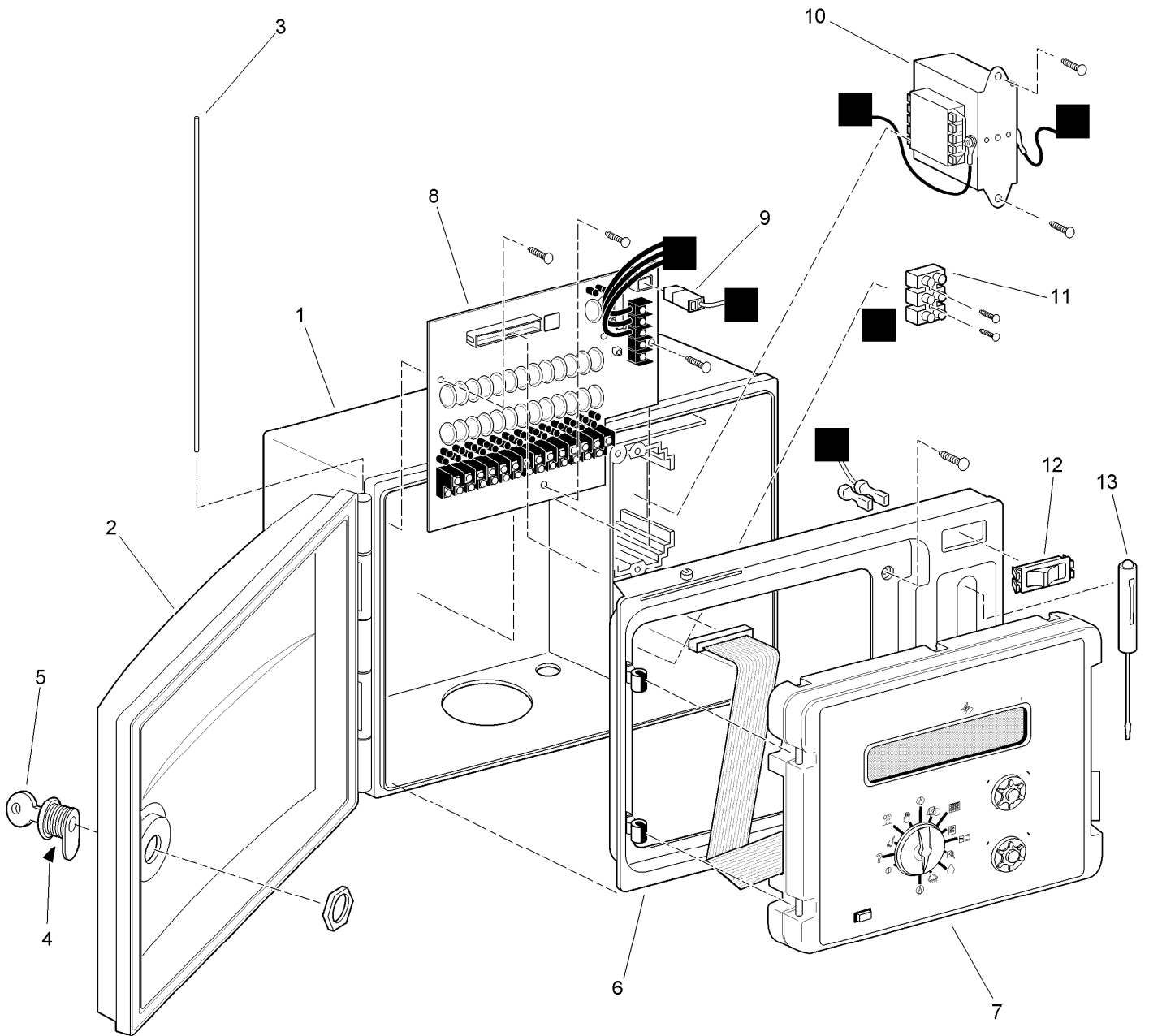
TIS-612 - Outdoor Controller (continued)

<i>Ref.</i>	<i>Part Number</i>	<i>Qty.</i>	<i>Description</i>	<i>Ref.</i>	<i>Part Number</i>	<i>Qty.</i>	<i>Description</i>
1	102-3430	1	Outer Door And Case (Includes Items 2 & 3)	6	102-6857	1	Output Board, 6-Station
2	102-3432	1	Lockset (Includes Item 3)	6	102-6857	1	Output Board, 6-Station
3	360-0565	1	Keys, 2 W/ Ring	6	102-6857	1	Output Board, 6-Station
4		1	Faceplate ●	7	102-3406	1	Fuse, 2 Amp , Slow-Blow (10-Pack)
5	TIS-06-MOD	1	Timing Mechanism Module, 6-Station ■	8	102-3439	1	Transformer, 120 V A.C., 60 Hz
5	TIS-09-MOD	1	Timing Mechanism Module, 9-Station ■	9	363-3885	1	Screwdriver, Toro
5	TIS-12-MOD	1	Timing Mechanism Module, 12-Station ■				

● Not serviced separately

■ Order Through Finished Goods Distribution System - Minneapolis

TIS-240 - Outdoor Controller

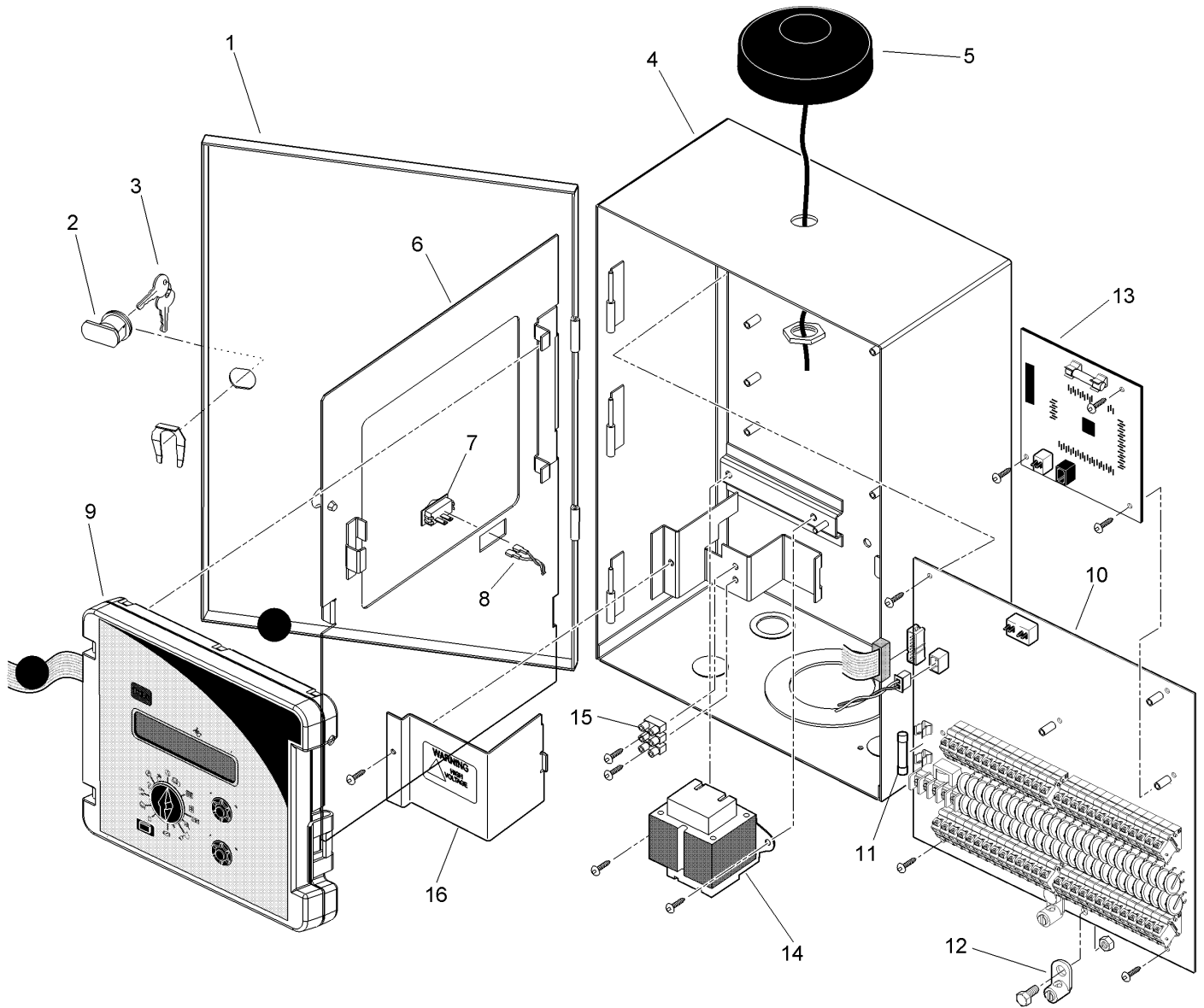


TIS-240 - Outdoor Controller (continued)

<i>Ref.</i>	<i>Part Number</i>	<i>Qty.</i>	<i>Description</i>	<i>Ref.</i>	<i>Part Number</i>	<i>Qty.</i>	<i>Description</i>
1	89-9641	1	Case, Back, Plastic	8	102-6861	1	Pcb Assy., 24-Station
2		1	Cover, Case, Plastic ●	9	1077601	1	Wire Harness
3	89-9872	1	Pin, Hinge	10	89-9624	1	Transformer Assy., 120 V A.C., 50Va
4	363-3884	1	Lock Assy.	11		1	Terminal Block ●
5	360-0565	2	Key	12	1077501	1	Slide Switch
6	89-9643	1	Faceplate	13	363-3885	1	Screwdriver, Toro
7	102-6860	1	Timing Mechanism Module				

● Not serviced separately

TIS-360/480 Outdoor Controller, Metal Cabinet



TIS-360/480 Outdoor Controller, Metal Cabinet (continued)

<i>Ref.</i>	<i>Part Number</i>	<i>Qty.</i>	<i>Description</i>	<i>Ref.</i>	<i>Part Number</i>	<i>Qty.</i>	<i>Description</i>
1	102-3527	1	Cover, Outer Door ♦	10	118-0299SK	1	Output Board Assy., 36-Station ○
2	102-3529	1	Lockset	10	118-0300SK	1	Output Board Assy., 48-Station ○
3	360-0565	2	Key	11	102-3406	1	Fuse, 2 Amp , Slow-Blow ●
4		4	Rear Case ▲	12	363-1553	2	Lug, Grounding
5	TIS-ANT02	1	Antenna Assy., Pancake Type □	13		2	Remote Board Assy. ▲
6		4	Cover, Inner Door ▲	14	102-3534	1	Transformer, 120 V A.C.
7	1077501	2	Slide Switch	15		1	Terminal Block, 3-Position ▲
8	1077601	1	Wire Harness ■	16	102-3535	1	Cover, Power Supply
9	102-7683	1	Timing Mechanism Module, 36-Station				
9	102-7685	1	Timing Mechanism Module, 48-Station				

● (10-pack)

▲ Not serviced separately

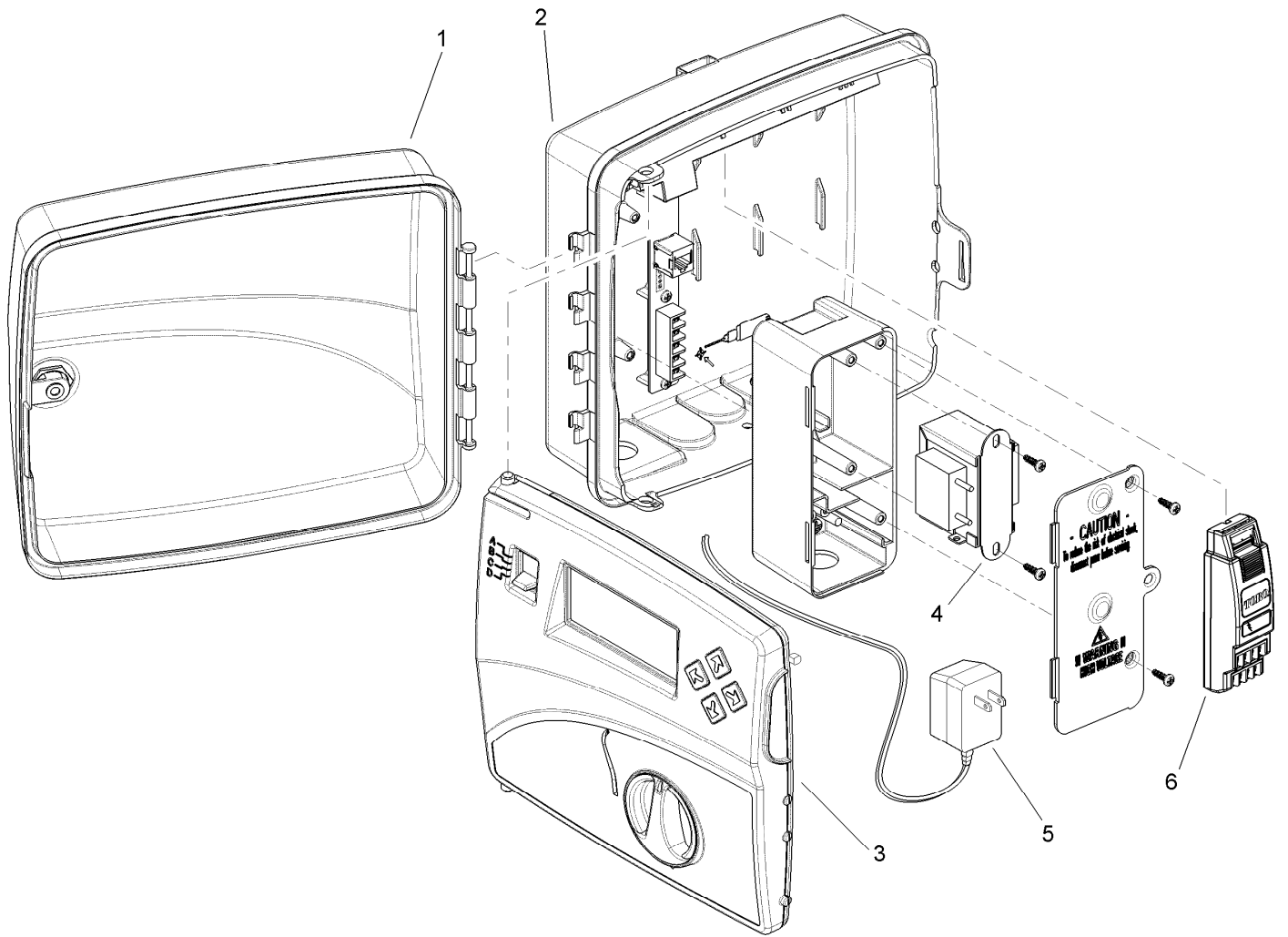
□ Order Through Finished Goods Distribution System-Minneapolis

○ Order Through Finished Goods Distribution System - Minneapolis

■ (Bypass Switch)

♦ (Includes Items 2 and 3)

TMC-424E - 4 through 24 Stations, Modular



TMC-424E - 4 through 24 Stations, Modular (continued)

<i>Ref.</i>	<i>Part Number</i>	<i>Qty.</i>	<i>Description</i>	<i>Ref.</i>	<i>Part Number</i>	<i>Qty.</i>	<i>Description</i>
1	102-6854	1	Cover, Cabinet	6	TSM-4H		4-Station Expansion Module, High Surge, White ▲◆
2		1	Outdoor Cabinet, Plastic ■				
3	102-6853	1	Timing Mechanism Module	6	TSM-8		8-Station Expansion Module, Gray ▲◆
4	102-3927	1	Transformer Assy., 120Vac, 24Va (Tmc-424E)	6	TSM-8F		8-Station Expansion Module W/ Flow, Blue ▲◆
5	363-4574	1	Transformer, 120Vac, Plug-In (Tmc-424 Indoor Model Only) ●	6	TSM-8H		8-Station Expansion Module, High Surge, White
6	TSM-4		4-Station Expansion Module, Gray ▲◆				
6	TSM-4F		4-Station Expansion Module W/ Flow, Blue ▲◆				

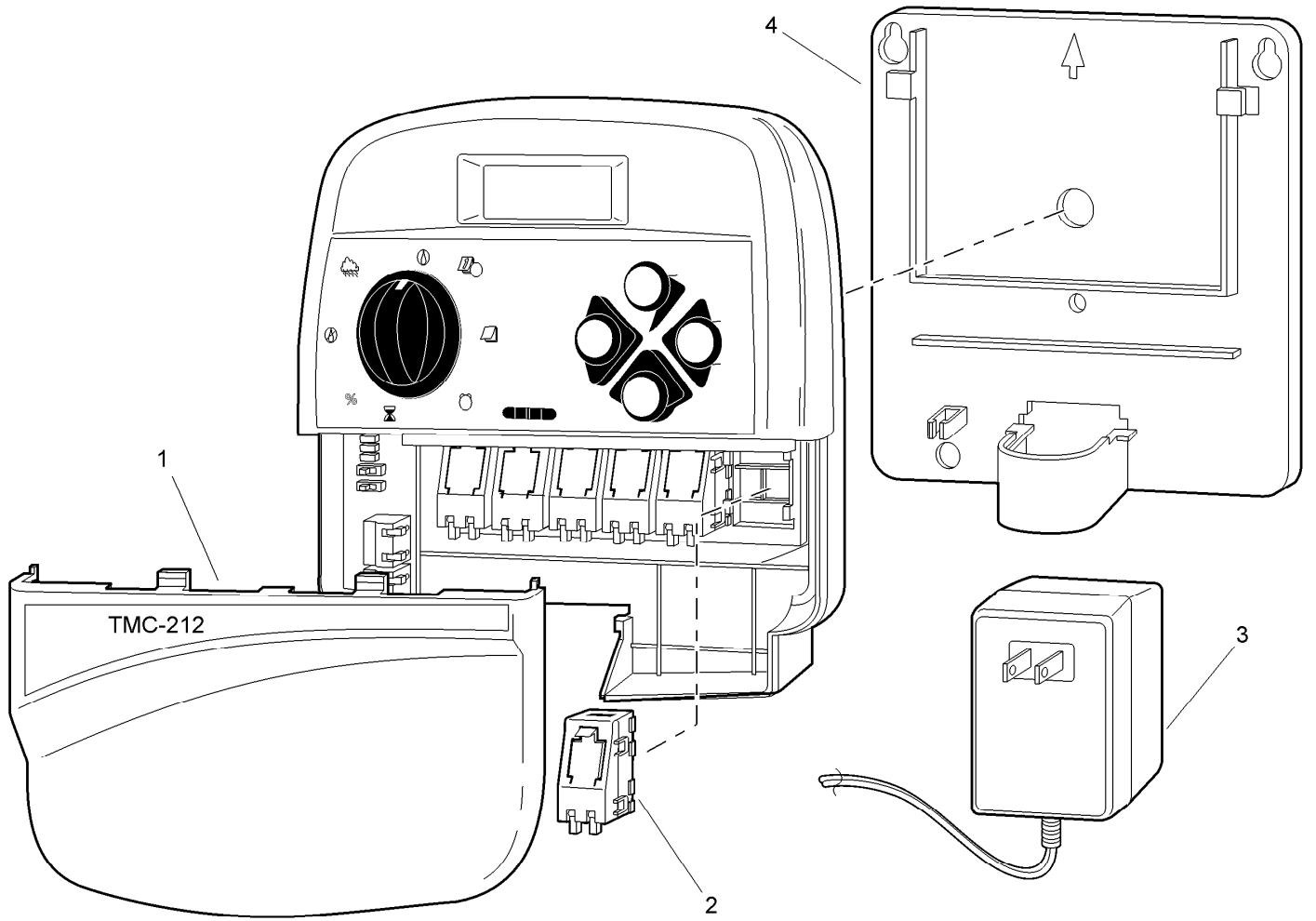
● No longer available

▲ Quantity Varies With Model

◆ Order Through Finished Goods Distribution System - Minneapolis

■ Not serviced separately

TMC-212 - Indoor Controller

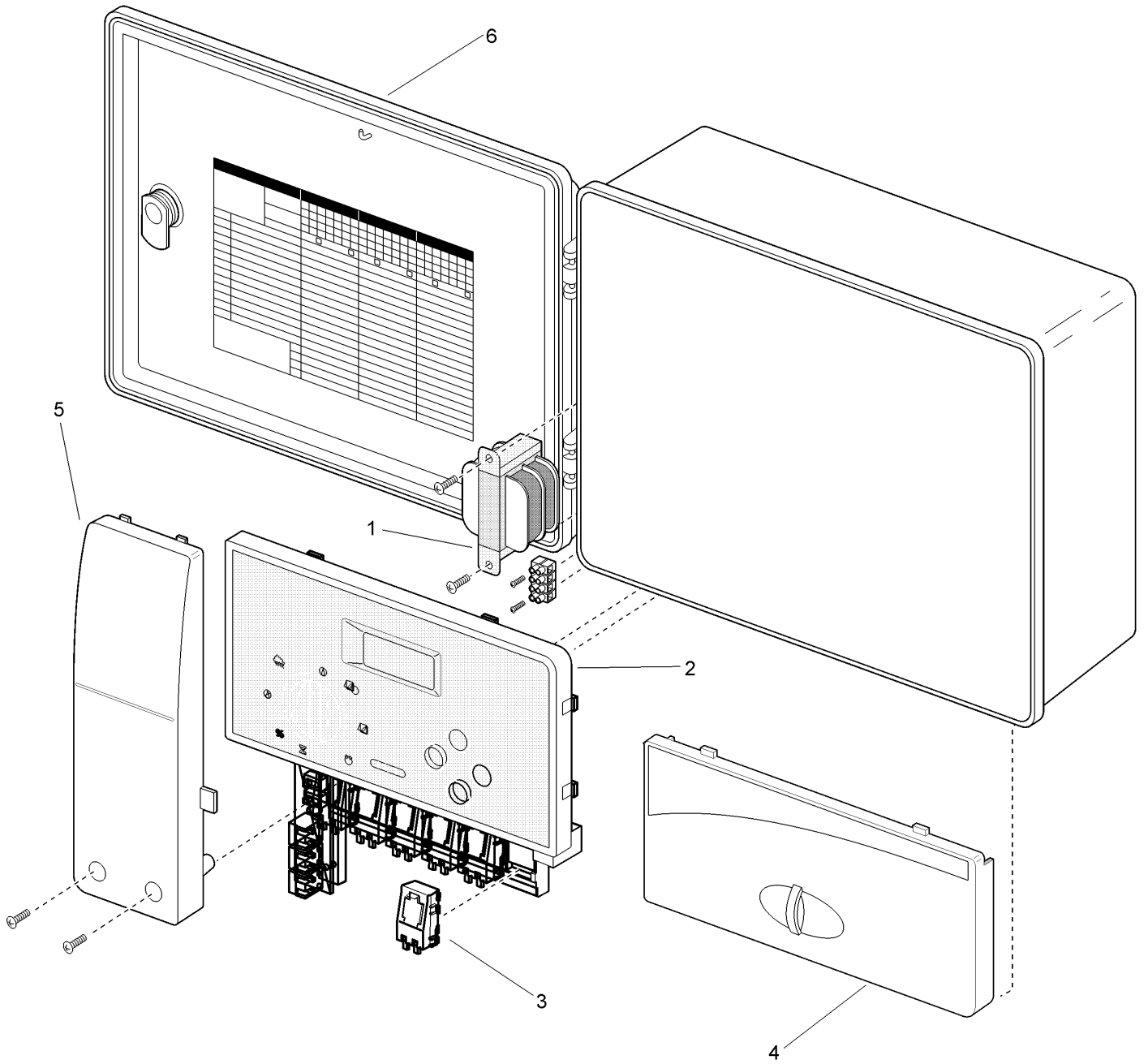


TMC-212 - Indoor Controller (continued)

<i>Ref.</i>	<i>Part Number</i>	<i>Qty.</i>	<i>Description</i>	<i>Ref.</i>	<i>Part Number</i>	<i>Qty.</i>	<i>Description</i>
1	102-6889	1	Front Plate	3	363-3665	1	Transformer, 240 V A.C., 24
2	TSM-02	2	Two-Station Module ●				V A.C. (Australia)
3	363-3514	1	Transformer, 120 V A.C., 24	4	102-6888	1	Mounting Plate
			V A.C.				
3	363-3664	1	Transformer, 230 V A.C., 24				
			V A.C. (Europe)				

● Order Through Finished Goods Distribution System - Minneapolis

TMC-212 Outdoor and Outdoor High Surge Cntrlr



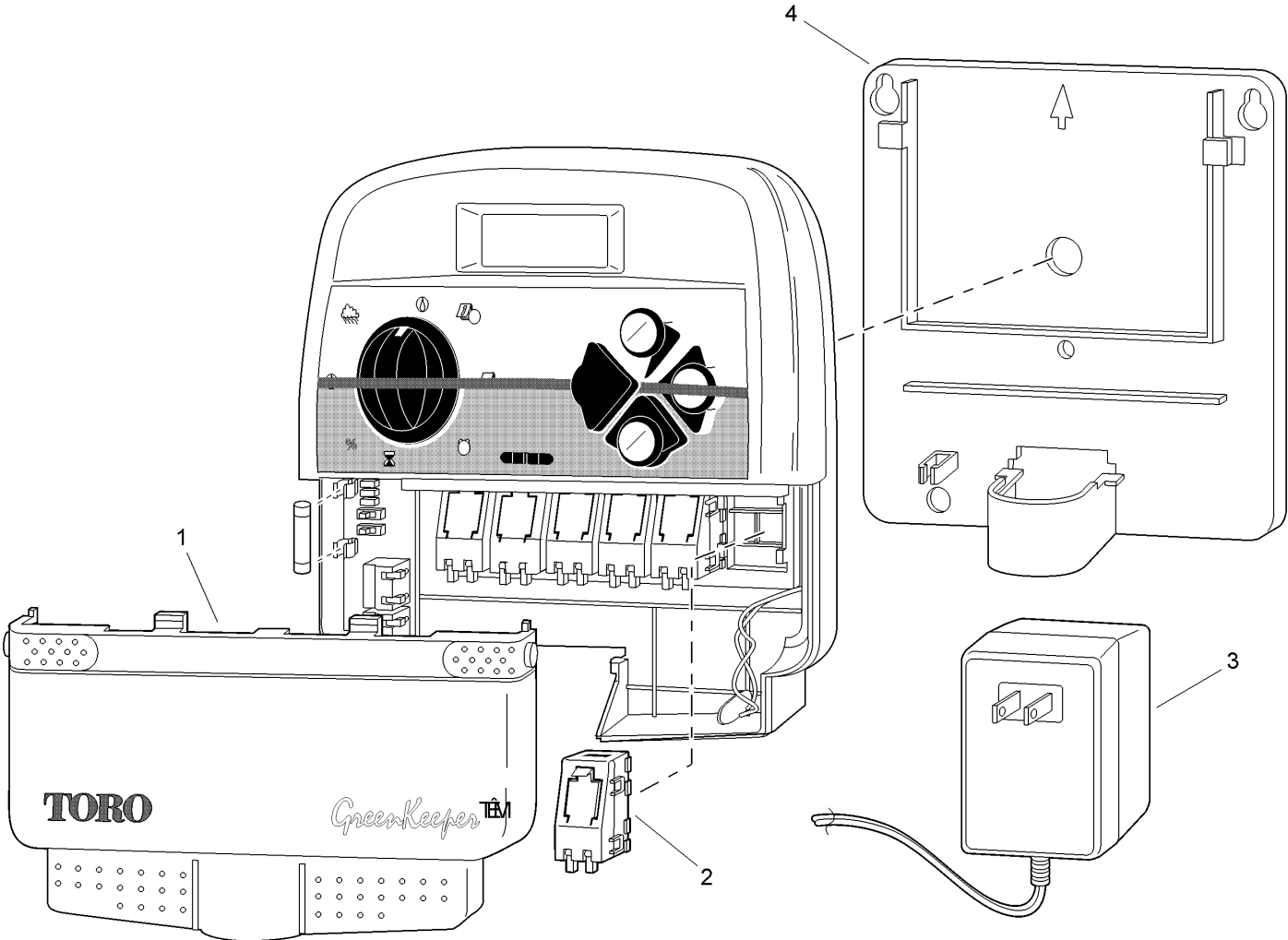
TMC-212 Outdoor and Outdoor High Surge Cntrlr (continued)

<i>Ref.</i>	<i>Part Number</i>	<i>Qty.</i>	<i>Description</i>	<i>Ref.</i>	<i>Part Number</i>	<i>Qty.</i>	<i>Description</i>
1	102-6890	1	Transformer, 120 V A.C., 60 Hz (Domestic Models Only)	3	TSM-02	2	Two-Station Module ■
1	102-2685	1	Transformer, 230/240 V A.C., 50 Hz (Export Models Only)	3	TSM-02-H	2	Two-Station Module, High Surge ■
2		1	Timing Mechanism Module, Svc. (Does Not Include Station Modules) ●	4	102-6892	1	Cover, Lower Cabinet, Svc.
				5	102-6893	1	Cover, Transformer, Svc.
				6	102-6891	1	Door, Cabinet, Svc.

● Not serviced separately

■ Order Through Finished Goods Distribution System - Minneapolis

GreenKeeper 212 - Indoor Controller

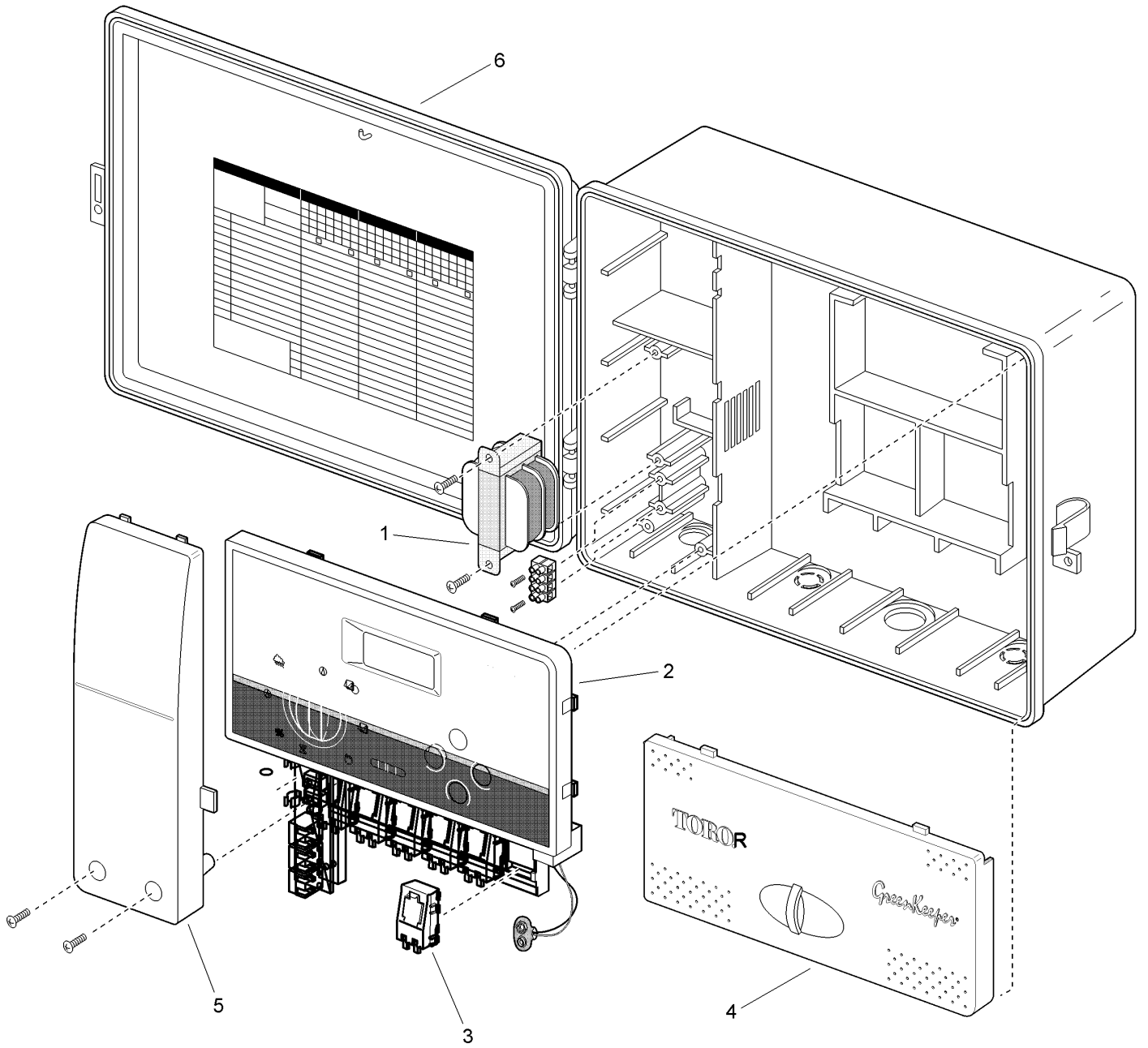


GreenKeeper 212 - Indoor Controller (continued)

<i>Ref.</i>	<i>Part Number</i>	<i>Qty.</i>	<i>Description</i>	<i>Ref.</i>	<i>Part Number</i>	<i>Qty.</i>	<i>Description</i>
1	102-6889	1	Front Plate	3	363-3665	1	Transformer, 240 V A.C., 24 V A.C. (Australia)
2	TSM-02	2	Two-Station Module ●	4	102-6888	1	Mounting Plate
3	363-3514	1	Transformer, 120 V A.C., 24 V A.C.				
3	363-3664	1	Transformer, 230 V A.C., 24 V A.C. (Europe)				

● Order Through Finished Goods Distribution System - Minneapolis

GreenKeeper 212 - Outdoor Controller



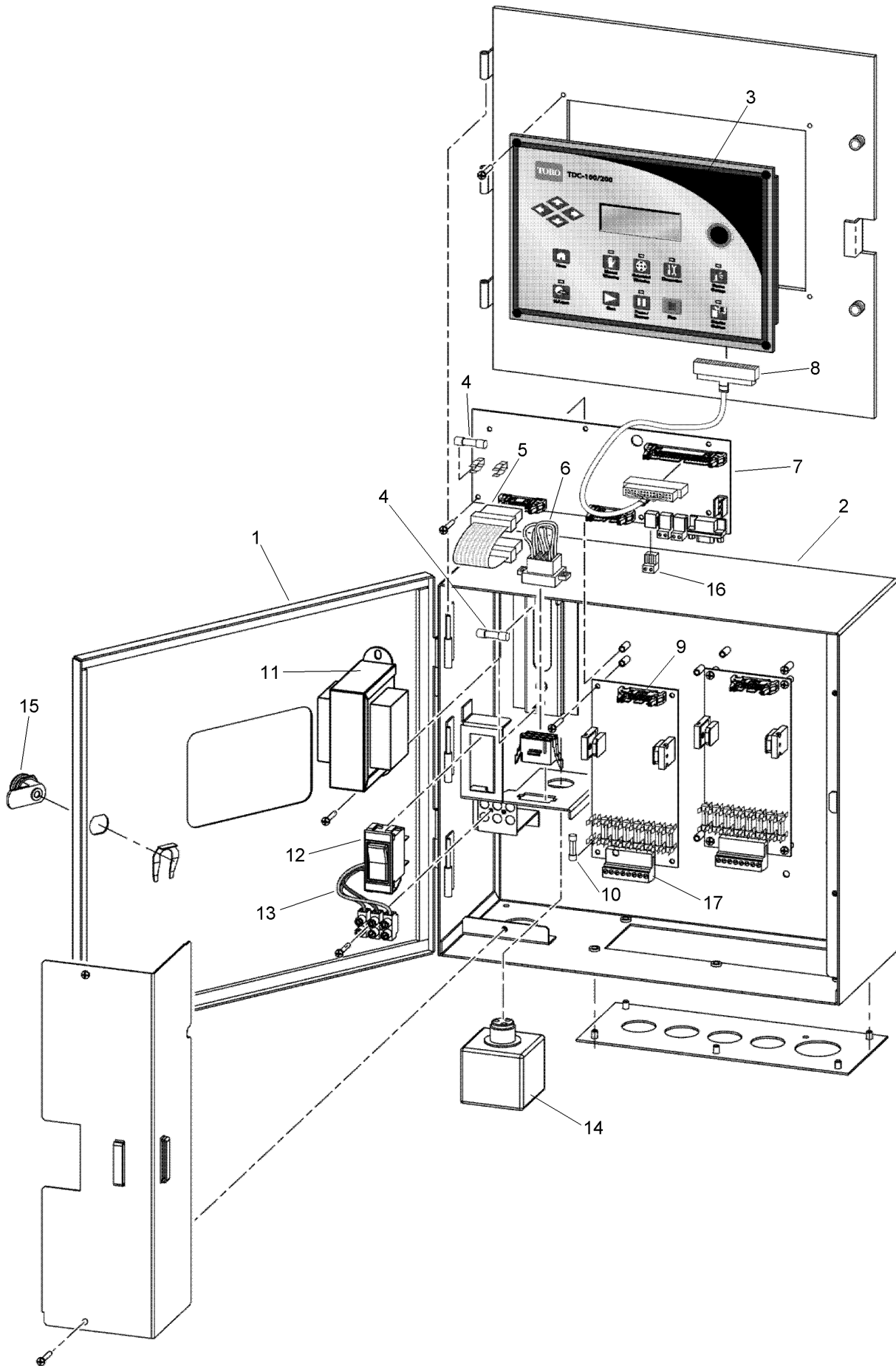
GreenKeeper 212 - Outdoor Controller (continued)

<i>Ref.</i>	<i>Part Number</i>	<i>Qty.</i>	<i>Description</i>	<i>Ref.</i>	<i>Part Number</i>	<i>Qty.</i>	<i>Description</i>
1	102-6890	1	Transformer, 120 V A.C., 60 Hz (Domestic Models Only)	3	TSM-02	2	Two-Station Module ■
1	102-2685	1	Transformer, 230/240 V A.C., 50 Hz (Export Models Only)	3	TSM-02-H	2	Two-Station Module, High Surge ■
2		1	Timing Mechanism Module, Svc. (Does Not Include Station Modules.) ●	4	102-6892	1	Cover, Lower Cabinet, Svc.
				5	102-6893	1	Cover, Transformer, Svc.
				6	102-6891	1	Door, Cabinet, Svc.

● Not serviced separately

■ Order Through Finished Goods Distribution System - Minneapolis

TDC 2-Wire Decoder System

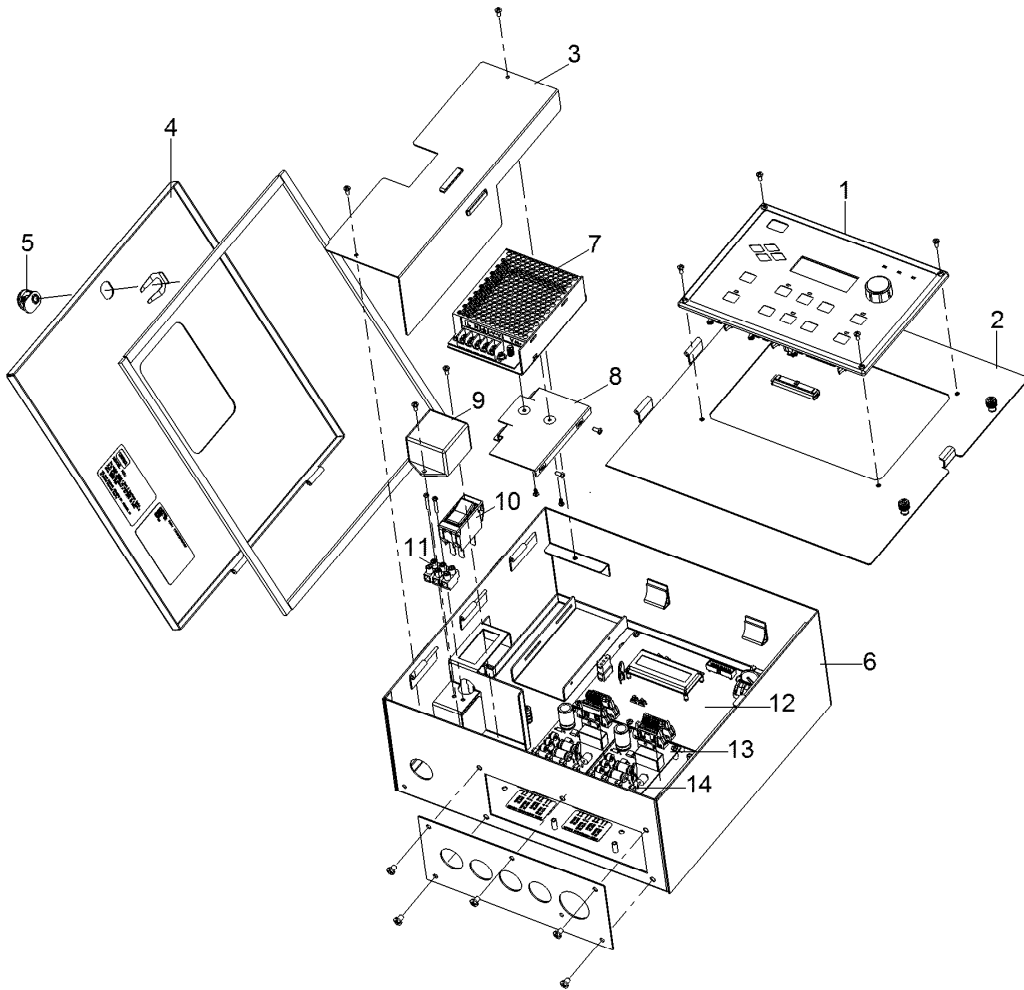


TDC 2-Wire Decoder System (continued)

<i>Ref.</i>	<i>Part Number</i>	<i>Qty.</i>	<i>Description</i>	<i>Ref.</i>	<i>Part Number</i>	<i>Qty.</i>	<i>Description</i>
1	102-5048SK	1	Door, Gateway Decoder	9	102-4339SK	2	Pcb Assy., Gateway Daughterboard
2	102-5047SK	1	Cabinet, Gateway Decoder	10	363-4249	16	Fuse, 3A, Daughterboard
3	102-5918SK	1	Timing Mechanism Assy., Gateway (Standalone Models Only)	11	102-4768SK	1	Power Supply Assy. (Includes Associated Cable Assembly) ●
4	363-5606	2	Fuse, 3.15A	12	363-3361	1	Switch, Circuit Breaker, 1.5A
5	102-4598SK	1	Ribbon Cable Assy., Mother Board To Daughter Board	13	102-4766SK	1	Wire Harness, Terminal Block To Switch
6	91-1626	1	Power Connector, 100V	14	102-4767SK	1	Harness, Surge, Service (Includes Associated Cable Assembly)
6	91-1627	1	Power Connector, 120V	15	363-3785	1	Lock Assy. W/Keys
6	91-1629	1	Power Connector, 220V	16	363-4500	3	Plug, 2 Pos
7	102-5044SK	1	Pcb Assy., Gateway Motherboard	17	363-3572	2	Plug, 8 Pos
8	102-5908SK	1	Cable Assy., Timing Mechanism To Motherboard (Standalone Models Only)		102-4185SK		Battery, 3V ●■

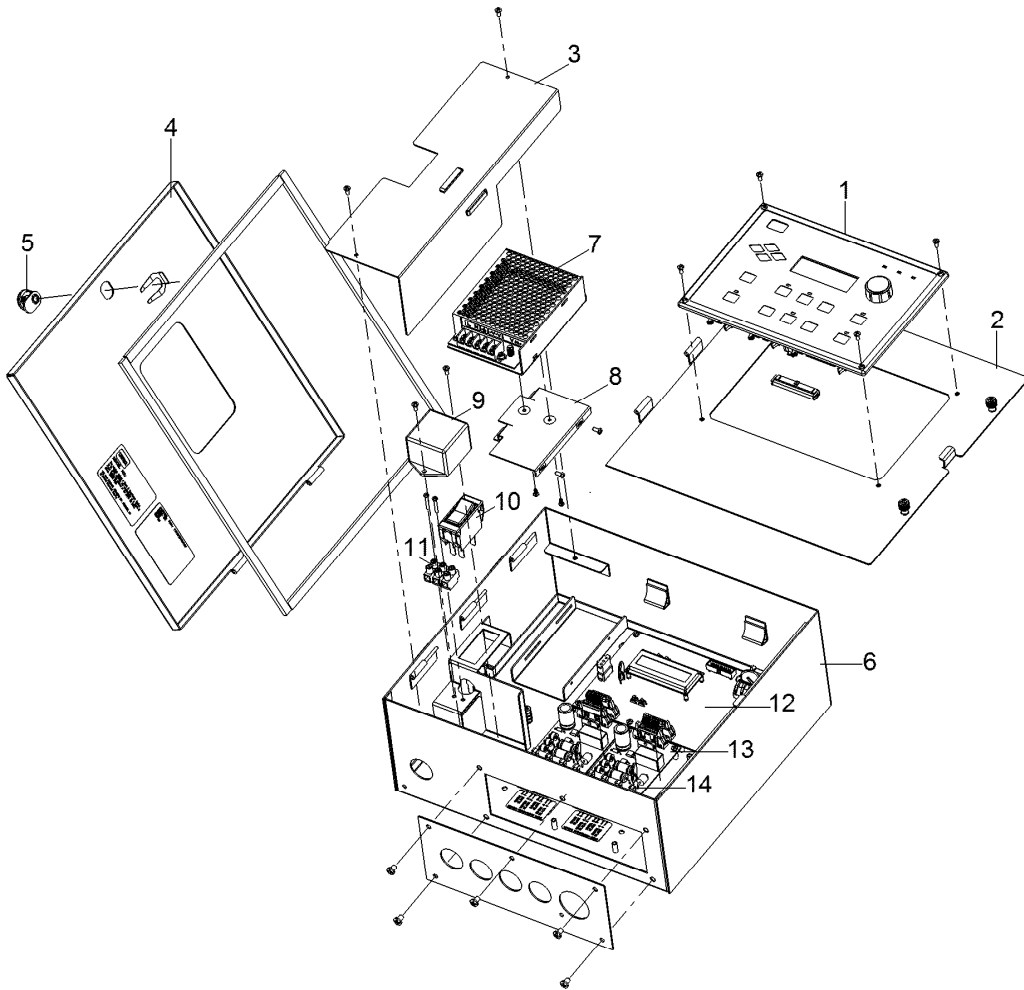
● SERVICE ITEMS

■ Not illustrated



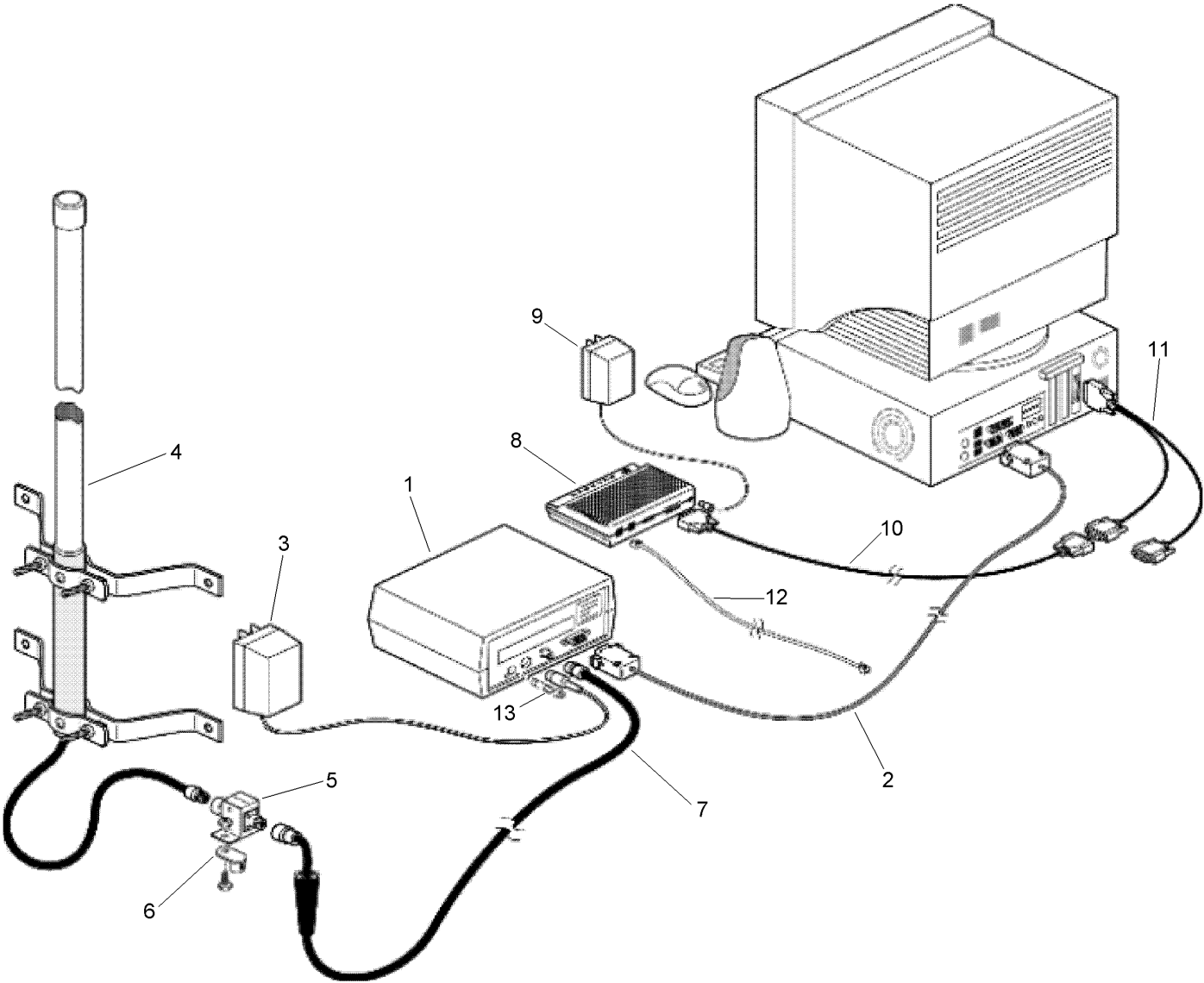
TDC 2-Wire Decoder System, Post Aug-2012

<i>Ref.</i>	<i>Part Number</i>	<i>Qty.</i>	<i>Description</i>
1	102-5918SK	1	Timing Mechanism Assy., Gateway (Stand-Alone)
2	102-5049	1	Panel, Gateway, Decoder (Stand-Alone Models Only)
3	118-0496	1	Power Supply Cover, Gateway, Decoder"
4	102-5048SK	1	Door, Gateway Decoder
5	363-3785	1	Lock Assy. W/Keys
6	102-5047SK	1	Cabinet, Gateway Decoder
7	118-0540	1	Power Supply, AC/DC, Gateway, Decoder
8	118-0475	1	Power Supply Bracket, Upper
9	102-9741	1	Ttf, Filter Assembly
10	363-3361	1	Switch, Circuit Breaker, 1.5 A
11	363-8650	1	Terminal Block, 3-Position
12	118-0582	1	Motherboard Assembly With Tricomm, Gateway, Decoder
13	102-7693SK	1	Pcb Assy., Gateway Daughterboard
14	363-8506	8	Fuse, 5 X 20Mm, Fast, 3.15A, 250V



TDC 2-Wire Decoder System, Post Aug-2012 (continued)

Sentinel Central Control System



Sentinel Central Control System (continued)

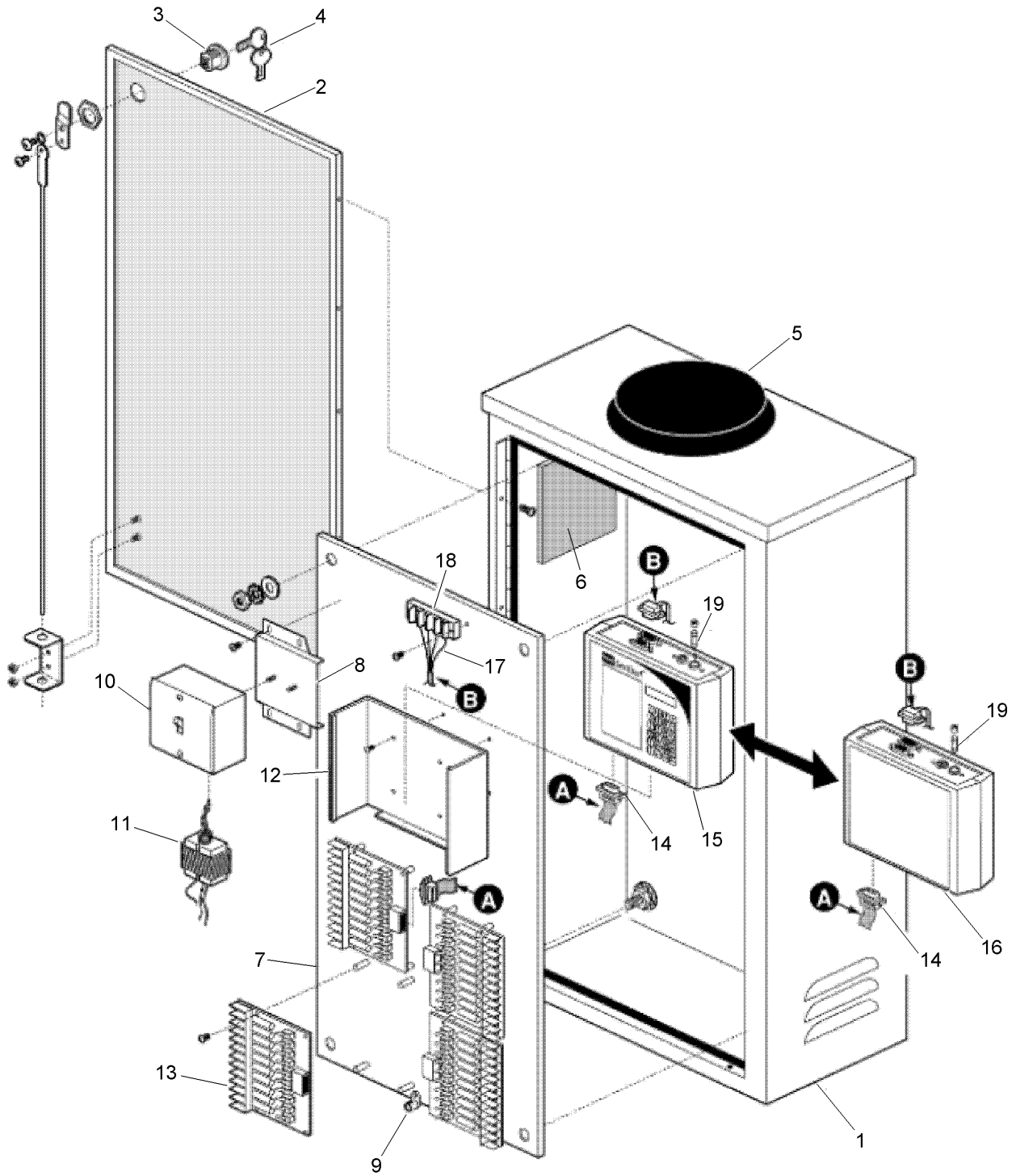
<i>Ref.</i>	<i>Part Number</i>	<i>Qty.</i>	<i>Description</i>	<i>Ref.</i>	<i>Part Number</i>	<i>Qty.</i>	<i>Description</i>
1	102-2376	1	Central Interface Module Assembly ▲	9		1	Power Supply, Telephone Modem ■
2	102-2375	1	Cpu Cable Assembly	10		1	Computer Cable Assembly, Telephone Modem ■
3	102-2377	1	Power Supply, Central Interface Module, 115/16 V A.C., 1 Amp	11		1	Computer Cable Assembly, Adapter ■
4	102-2379	1	Base Antenna Assembly (Includes Items 5 & 6 And Wall-Mount Brackets)	12		1	Cable Assembly, Telephone ■
5	102-4908	1	Grounding Assembly, Antenna (Includes Item 6 And Insulation Kit)	13	102-3407	1	Fuse, 1 Amp, Slow Blow (10-Pack)
6	363-1553	1	Lug, Grounding		102-4929		Tripod Stand, Antenna ●
7	102-2378	1	Antenna Cable, 50' (15 M)		102-2447	1	Programming Kit, Radio Frequency ▲ ●
8	102-2384	1	Phone Modem Assembly (Includes Items 9-11)				

● Not illustrated

▲ Order Through Finished Goods Distribution System - Minneapolis

■ Not serviced separately

Sentinel Satellite - Wall Mount



Sentinel Satellite - Wall Mount (continued)

<i>Ref.</i>	<i>Part Number</i>	<i>Qty.</i>	<i>Description</i>	<i>Ref.</i>	<i>Part Number</i>	<i>Qty.</i>	<i>Description</i>
1	102-2370	1	Enclosure, Tall Wall Mount W/O Backplate (Includes Items 1-6)	14	102-4927	1	Output Cable, 14", 24-48 Station ■
2	102-4917	1	Door Assembly W/Lock Mechanism (Includes Items 3 & 4)	14	102-4928	1	Output Cable, 18", 36-48 Station ■
3	102-4919	2	Lock Assembly, Door (Includes Lock, Keys, And Rod Mechanism)	15	102-4913	1	Control Module Assembly, Satellite, 12 Station ■
4	363-2789	1	Key, Ch-71	15	102-2373	1	Control Module Assembly, Satellite, 24 Station ■
5	102-4912	1	Antenna Assembly, Pancake Type	15	102-4914	1	Control Module Assembly, Satellite, 36 Station ■
6	102-4931	2	Filter, Enclosure Vent Louver	15	102-2372	1	Control Module Assembly, Satellite, 48 Station ■
7	102-4910	1	Back Plate Assembly (Includes Items 8-11)	16	102-4956	1	Control Module Assembly, Mapto, 12 Station ■
8		1	Mounting Bracket, Junction Box ●	16	102-4957	1	Control Module Assembly, Mapto, 24 Station ■
9	363-1553	1	Lug, Grounding	16	102-4958	1	Control Module Assembly, Mapto, 36 Station ■
10	363-4635	1	Toggle Switch W/ Receptacle	16	102-4959	1	Control Module Assembly, Mapto, 48 Station ■
11	102-2369	1	Power Transformer, 115/24 V A.C., 50 Va	17	102-4955	1	Cable Assembly, Data Retrieval
12	102-4918	1	Mounting Bracket, Satellite Module	18		1	Terminal Strip ●
13	102-2368	1	Output Pc Board ■	19	102-3406	2	Fuse, 2 Amp , Slow-Blow (10-Pack)
14	102-4926	1	Output Cable, 6", 12-48 Station ■				

● Not serviced separately

■ Order Through Finished Goods Distribution System - Minneapolis

Sentinel Satellite - Pedestal Mount (continued)

<i>Ref.</i>	<i>Part Number</i>	<i>Qty.</i>	<i>Description</i>	<i>Ref.</i>	<i>Part Number</i>	<i>Qty.</i>	<i>Description</i>
1	102-2371	1	Enclosure, Pedestal W/O Backplate (Includes Items 1-7)	14	102-4913	1	Control Module Assembly, Satellite, 12 Station ♦
2	102-4916	1	Door Assembly, Pedestal Enclosure W/Lock (Includes Items 3 & 4)	14	102-2373	1	Control Module Assembly, Satellite, 24 Station ♦
3	102-4930	2	Lock Assembly, Door W/Keys	14	102-4914	1	Control Module Assembly, Satellite, 36 Station ♦
4	363-2789	1	Key, Ch-71	14	102-2372	1	Control Module Assembly, Satellite, 48 Station ♦
5	102-4915	1	Top Assembly, Pedestal Enclosure W/Antenna (Includes Item 6)	15	102-4956	1	Control Module Assembly, Mapto, 12 Station ♦
6	102-4912	1	Antenna Assembly, Pancake Type	15	102-4957	1	Control Module Assembly, Mapto, 24 Station ♦
7	102-4931	2	Filter, Enclosure Vent Louver	15	102-4958	1	Control Module Assembly, Mapto, 36 Station ♦
8	102-4910	1	Back Plate Assembly (Includes Items 9-11 & 17)	15	102-4959	1	Control Module Assembly, Mapto, 48 Station ♦
9		1	Mounting Bracket, Junction Box ▲	16	102-3406	4	Fuse, 2 Amp , Slow-Blow (10-Pack)
10	363-4635	1	Junction Box W/Transformer	17	102-4955	1	Cable Assembly, Data Retrieval (Includes Item 16)
11	102-2369	1	Power Transformer, 115/24 V A.C., 50 Va	18		1	Terminal Strip ▲
12	102-2368	1	Output Pc Board ♦	19	363-1553	1	Lug, Grounding
13	102-4924	1	Output Cable, 24", 12-48 Station ♦		102-3406	2	Fuse, 2 Amp , Slow-Blow (10-Pack)(Used In Control Module Assembly) ■●
13	102-4925	1	Output Cable, 30", 24-48 Station ♦				

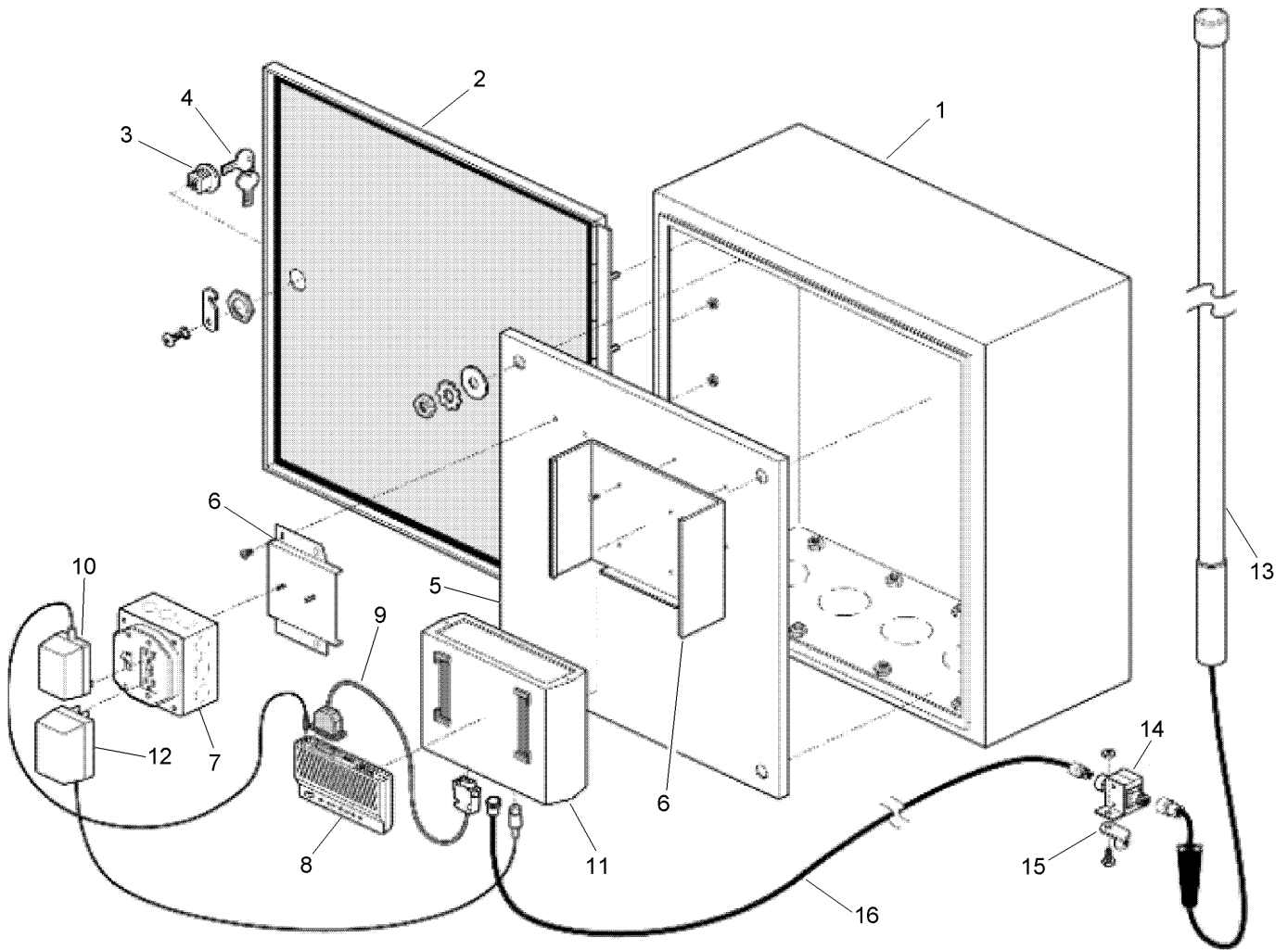
● SERVICE ITEMS

▲ Not serviced separately

◆ Order Through Finished Goods Distribution System - Minneapolis

■ Not illustrated

Sentinel Remote Transceiver



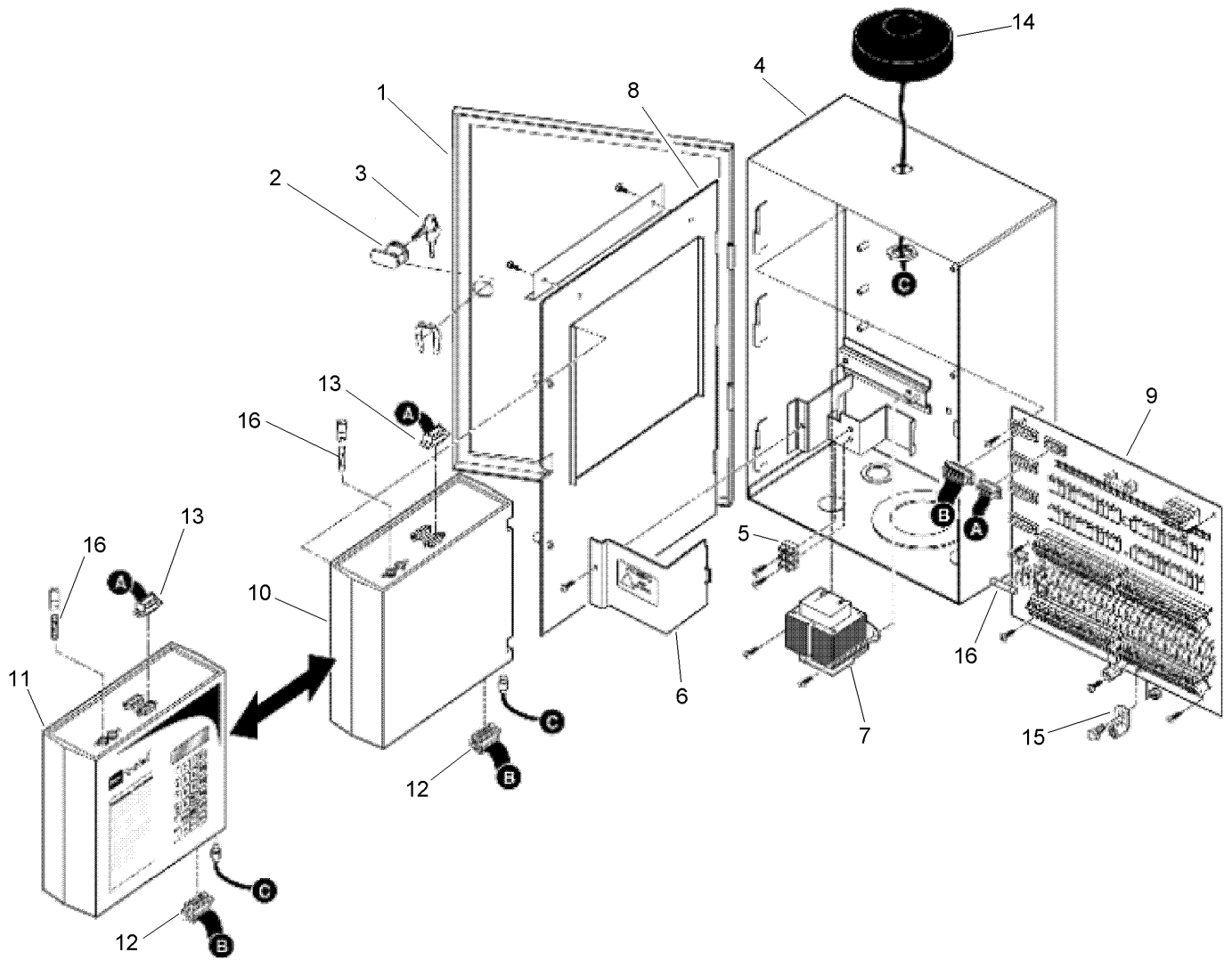
Sentinel Remote Transceiver (continued)

<i>Ref.</i>	<i>Part Number</i>	<i>Qty.</i>	<i>Description</i>	<i>Ref.</i>	<i>Part Number</i>	<i>Qty.</i>	<i>Description</i>
1	102-4920	1	Enclosure, Wall-Mount, Small, W/O Back Plate (Includes Items 2-4)	11	102-2386	1	Control Module Assembly, Remote Transceiver
2	102-4923	1	Door Assembly W/Lock (Includes Items 3 & 4)	12	102-2377	1	Power Supply, Central Interface Module, 115/16 V A.C., 1A
3	102-4930	1	Lock Assembly, Door W/Keys	13	102-2379	1	Base Antenna Assembly (Includes Item 14 And Wall Mount Brackets)
4	363-2789	1	Key, Ch-71 (Includes 2 Keys)	14	102-4908	1	Grounding Assembly, Antenna (Includes Item 15 And Insulation Kit)
5	102-4921	1	Back Plate, Small	15	363-1553	1	Lug, Grounding
6	102-4918	1	Mounting Bracket, Satellite Module	16	102-2378	1	Antenna Cable, 50' (15 M)
7	102-4922	1	Junction Box Assembly, Srta		102-3407	1	Fuse, 1 Amp, Slow Blow, 3Ag ●
8	102-2384	1	Phone Modem Assembly (Includes Items 9 & 10)		102-4929		Tripod Stand, Antenna ●
9	102-2385	1	Cable Assembly, Telephone Modem				
10		1	Power Supply, Telephone Modem ■				

● Not illustrated

■ Not serviced separately

Sentinel Map To Assy - Sm Metal Wall Mt



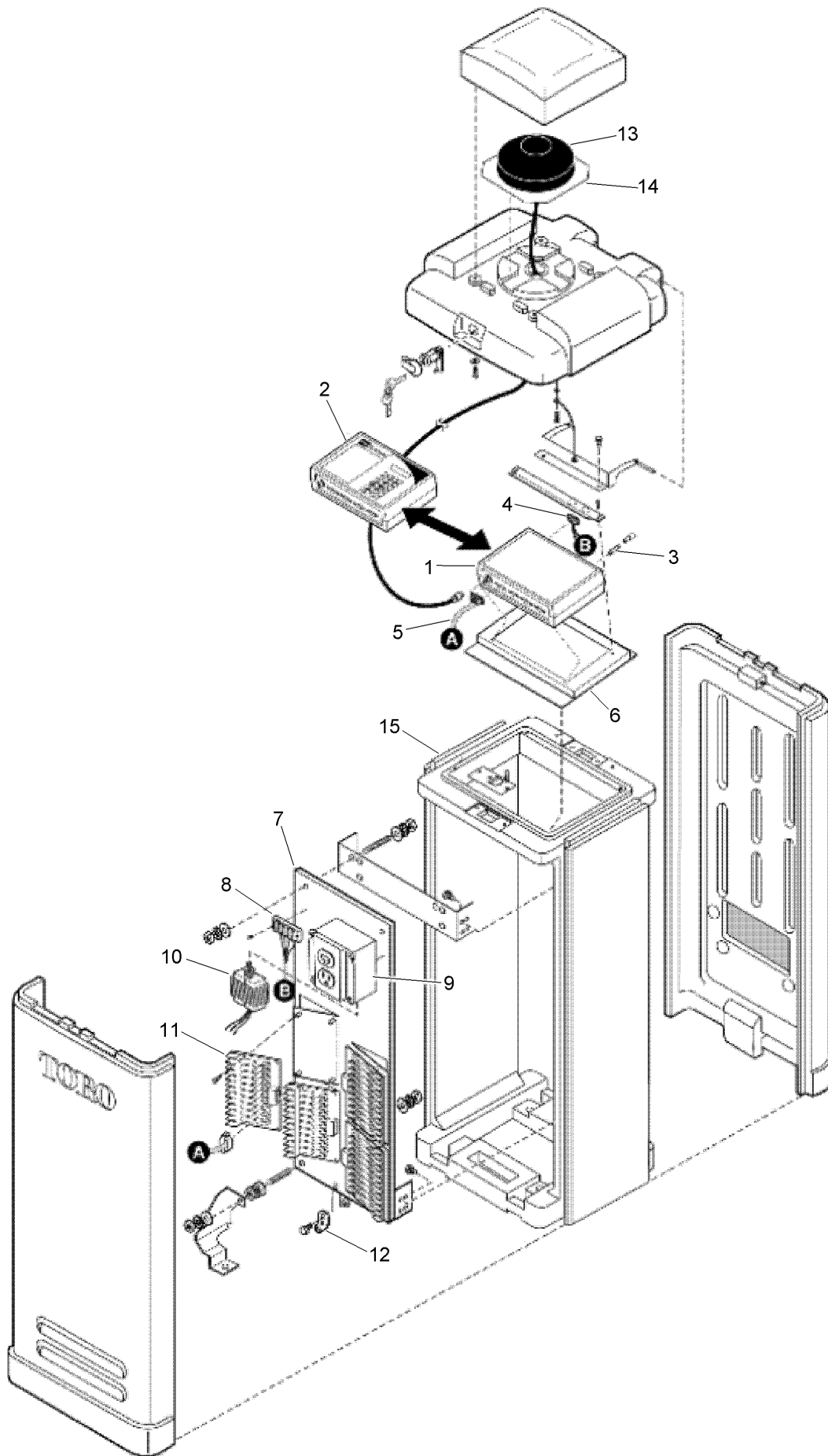
Sentinel Map To Assy - Sm Metal Wall Mt (continued)

<i>Ref.</i>	<i>Part Number</i>	<i>Qty.</i>	<i>Description</i>	<i>Ref.</i>	<i>Part Number</i>	<i>Qty.</i>	<i>Description</i>
1	102-3527	1	Cover, Outer Door (Includes Items 2 And 3)	10	102-2372	1	Control Module Assembly, Satellite, 48 Station ■
2	102-3529	1	Lock Assembly, Door With Keys	11	102-4956	1	Control Module Assembly, Mapto, 12 Station ■
3	360-0565	2	Keys, 2 With Ring	11	102-4957	1	Control Module Assembly, Mapto, 24 Station ■
4	102-3537	4	Rear Case (Includes Items 5 & 6)	11	102-4958	1	Control Module Assembly, Mapto, 36 Station ■
5	102-3535	1	Cover, Power Supply	11	102-4959	1	Control Module Assembly, Mapto, 48 Station ■
6		1	Terminal Block, 3-Position ●	12	102-4928	1	Cable Assembly, Output, 18"
7	102-3534	2	Transformer, 120 V A.C., 60 Hz, 50 Va	13		1	Cable Assembly, Data Retrieval ●
8		1	Cover, Inner Door ●	14	102-4912	1	Antenna Assembly, Pancake Type
9		1	Output Board ●	15	363-1553	2	Lug, Grounding
10	102-4913	1	Control Module Assembly, Satellite, 12 Station ■	16	102-3406	4	Fuse, 2 Amp , Slow-Blow (10-Pack)
10	102-2373	1	Control Module Assembly, Satellite, 24 Station ■				
10	102-4914	1	Control Module Assembly, Satellite, 36 Station ■				

● Not serviced separately

■ Order Through Finished Goods Distribution System - Minneapolis

Sentinel Map To Assy - Plastic Pedestal Cabinet



Sentinel Map To Assy - Plastic Pedestal Cabinet (continued)

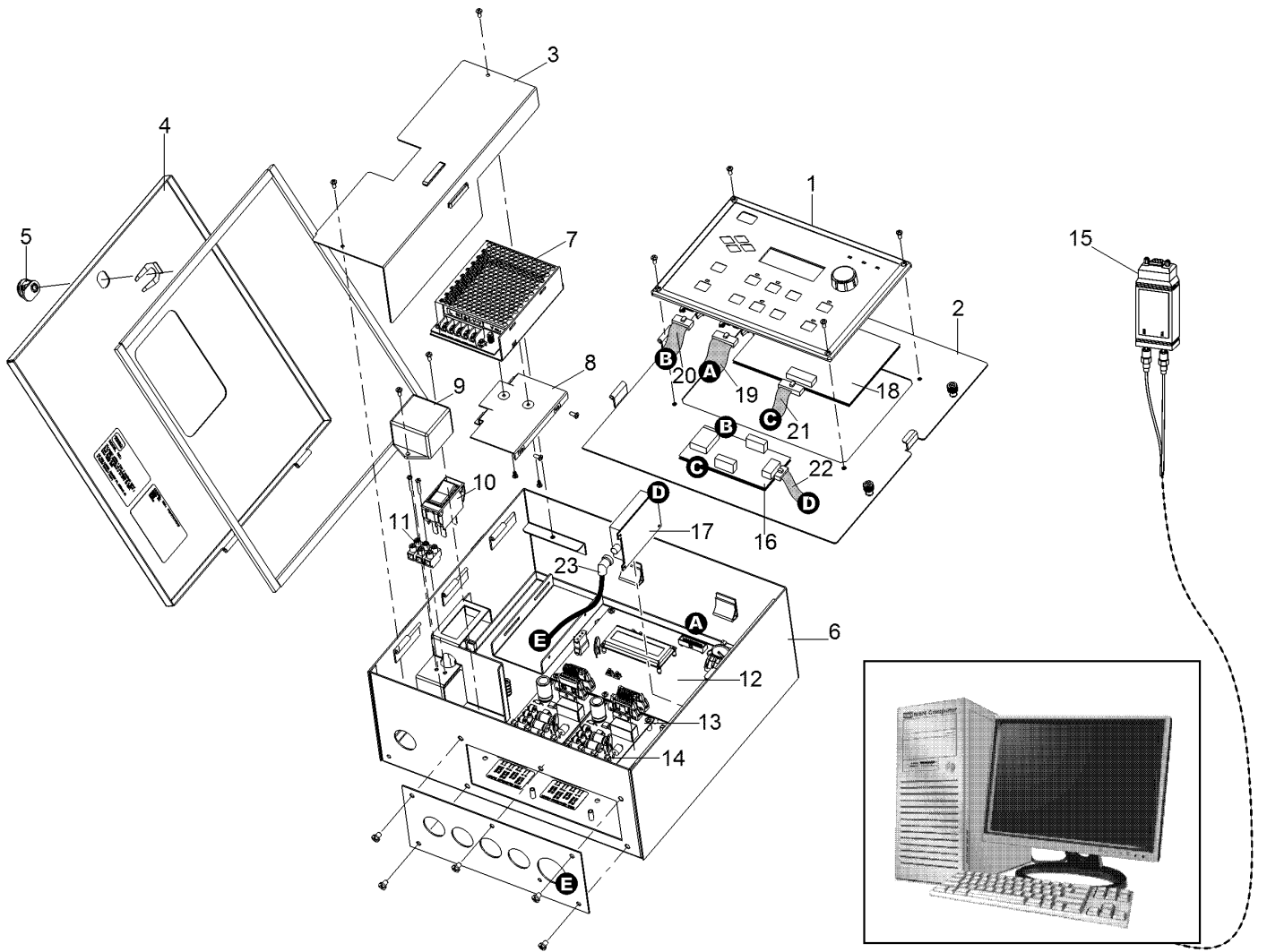
<i>Ref.</i>	<i>Part Number</i>	<i>Qty.</i>	<i>Description</i>	<i>Ref.</i>	<i>Part Number</i>	<i>Qty.</i>	<i>Description</i>
1	102-4913	1	Control Module Assembly, Satellite, 12 Station ▲	5	102-4955	1	Cable Assembly, Data Retrieval (Includes Item 7) ▲
1	102-2373	1	Control Module Assembly, Satellite, 24 Station ▲	6		1	Mounting Bracket Assy., Control Module ●
1	102-4914	1	Control Module Assembly, Satellite, 36 Station ▲	7		1	Back Plate Assembly ●
1	102-2372	1	Control Module Assembly, Satellite, 48 Station ▲	8		1	Terminal Strip ●
2	102-4956	1	Control Module Assembly, Mapto, 12 Station ▲	9	363-4635	1	Toggle Switch W/ Receptacle
2	102-4957	1	Control Module Assembly, Mapto, 24 Station ▲	10	102-2369	1	Power Transformer, 115/24 Vac, 60 Hz, 50 Va
2	102-4958	1	Control Module Assembly, Mapto, 36 Station ▲	11	102-2368	1	Output Pcb Assembly ■
2	102-4959	1	Control Module Assembly, Mapto, 48 Station ▲	12	363-1553	1	Lug, Grounding
3	102-3406	1	Fuse, 2 Amp , Slow-Blow (10-Pack)	13	102-4912	1	Antenna Assembly, Pancake Type
4	102-4924	2	Cable Assembly, Output, 24" ▲	14		1	Ground Plane, Antenna ●
4	102-4925	2	Cable Assembly, Output, 30" ▲	15		1	Satellite Plastic Pedestal & Components (See Satellite Plastic Pedestal Section For Details.) ●

● Not serviced separately

▲ Order Through Finished Goods Distribution System - Minneapolis

■ Quantity Varies With Model

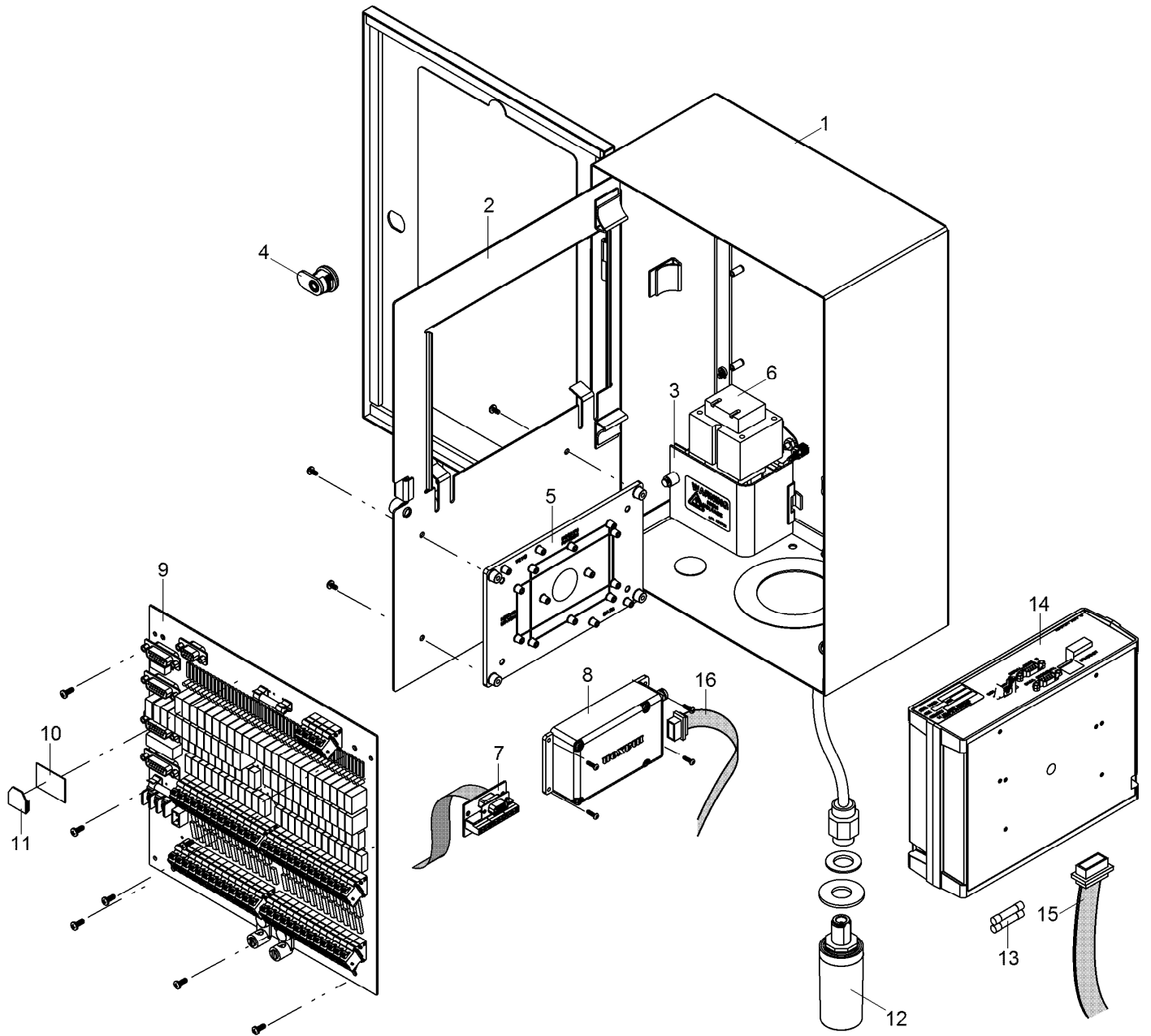
Sentinel Two-Wire Decoder - Wall Mount



Sentinel Two-Wire Decoder - Wall Mount (continued)

<i>Ref.</i>	<i>Part Number</i>	<i>Qty.</i>	<i>Description</i>	<i>Ref.</i>	<i>Part Number</i>	<i>Qty.</i>	<i>Description</i>
1	102-5918SK	1	Timing Mechanism Assy., Gateway (Stand-Alone)	12	118-4717SK	1	Motherboard Assembly, Gateway, AC Decoder
1	118-4728SK	1	Timing Mechanism Assy., Gateway (Remote)	13	118-2749SK	1	Pcb Assy., Gateway Daughterboard
2	102-5049	1	Panel, Gateway, Decoder (Stand-Alone Models Only)	13	118-4718SK	1	Daughterboard Assembly, AC Decoder
2	118-3736	1	Panel, Gateway, Downloadable/Remote	14	363-8506	8	Fuse, 5 X 20Mm, Fast, 3.15A, 250V
3	118-0496	1	Power Supply Cover, Gateway, Decoder	15	102-6461	1	Fiber Optic Converter Kit, Gateway To Central Computer
4	102-5048SK	1	Door, Gateway Decoder	16	118-3101SK	1	Digital Radio Interface Board, Gateway
5	363-3785	1	Lock Assy. W/Keys	17	118-3442SK	1	Radio Module, Transceiver, Rv-M7-UC
6	118-0880	1	Cabinet, Gateway Decoder	18	89-9026	1	Standard Modem, Svc.
7	118-0540	1	Power Supply, AC/DC, Gateway, Decoder	19	102-9176	1	Cable, 40-Pos (A To A)
8	118-0475	1	Power Supply Bracket, Upper	20	118-3329	1	Cable, Int Bd To Tm (B To B)
9	102-9741	1	Ttf, Filter Assembly	21	118-3330	1	Cable, Int Bd To Modem (C To C)
10	363-3361	1	Switch, Circuit Breaker, 1.5A	22	118-3103	1	Harness, Db9 (D To D)
11	102-4766SK	1	Wire Harness, Terminal Block To Switch	23	118-3104	1	Cable, Bnc To Bnc, Radio (E To E)
12	118-2750SK	1	Motherboard Assembly With Tricomm, Gateway Decoder				

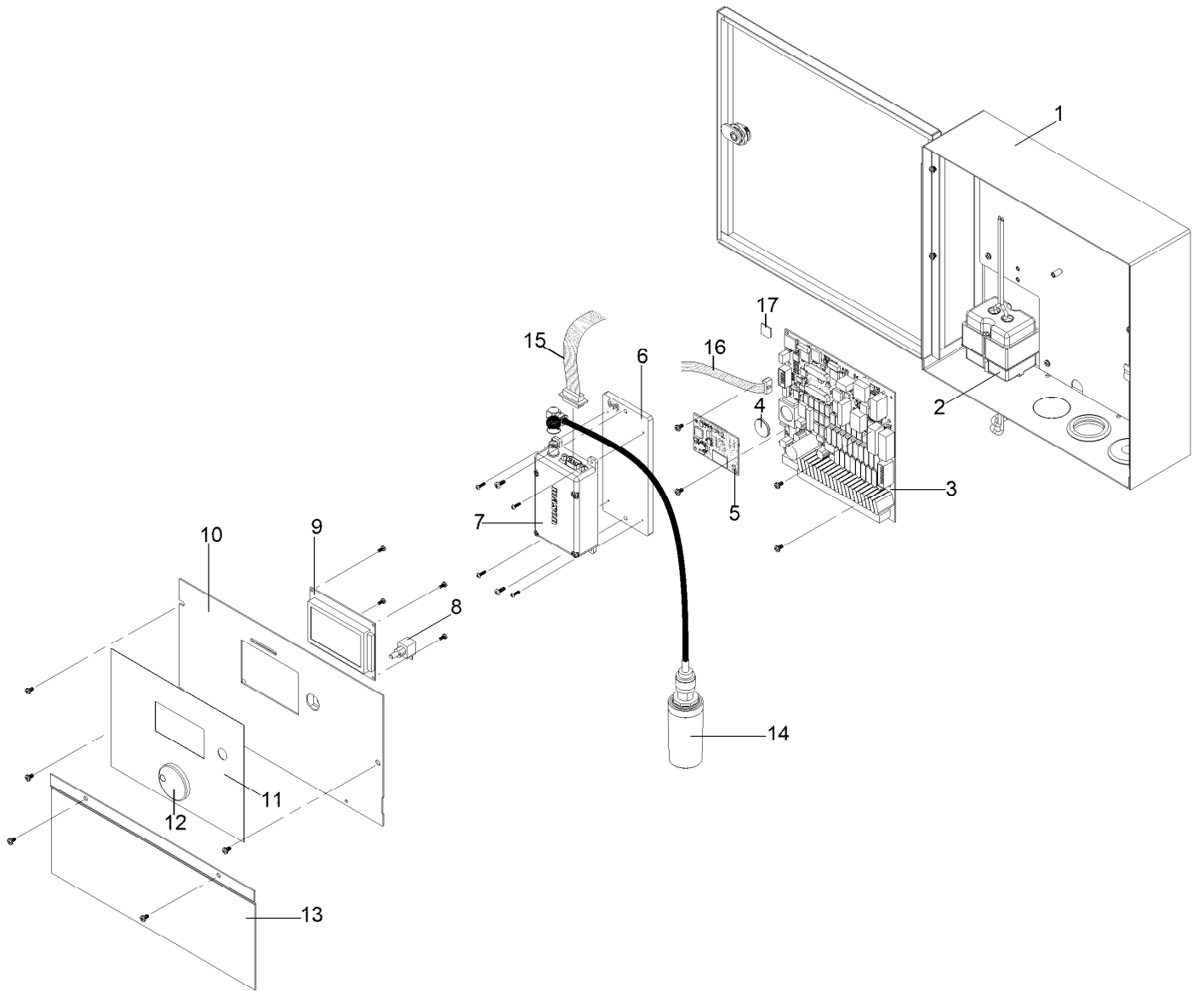
Sentinel WS1, Conventional and Wireless Models



Sentinel WS1, Conventional and Wireless Models (continued)

<i>Ref.</i>	<i>Part Number</i>	<i>Qty.</i>	<i>Description</i>	<i>Ref.</i>	<i>Part Number</i>	<i>Qty.</i>	<i>Description</i>
1	118-6025	1	Cabinet Assembly	10	118-3109	1	Sentinel Wob Module, Slave (Wireless Models Only)
2	118-6030	1	Inner Door	11	364-1790	1	Mod, Xbee (Wireless Models Only)
3	118-6026	1	Transformer Cover	12	SB-ANT-ATX4	1	450-470 Mhz High Profile, Omnidirectional Uhf Antenna
4	363-1414	1	Lock	13	363-9987	2	Small Fuse, 2 Amp, Slow-Blow
5	118-3066	1	Universal Radio Mounting Plate	14	118-2724SK	1	Sentinel Control Module Kit, 12-Station
6	102-3534	1	Transformer, 120 V A.C.	14	118-2725SK	1	Sentinel Control Module Kit, 24-Station
7	SB-DRCA	1	Data Retrieval Assembly W/ Terminal Block (Includes 118-3767)	14	118-2726SK	1	Sentinel Control Module Kit, 36-Station
8	SB-RAD-MAX125	1	Maxon 125 Uhf, (Includes Data Cable, Universal Mounting Plate And Screws)	14	118-2727SK	1	Sentinel Control Module Kit, 48-Station
9	S-121	1	Large 12-Station Conventional Output Board	14	118-3105SK	1	Sentinel Control Module Kit, Wireless (Xbee)
9	S-241	1	Large 24-Station Conventional Output Board	14	118-5303	1	Sentinel Control Module Kit, No Keypad, 12-Station
9	S-361	1	Large 36-Station Conventional Output Board	14	118-5304	1	Sentinel Control Module Kit, No Keypad, 24-Station
9	S-481	1	Large 48-Station Conventional Output Board	14	118-5305	1	Sentinel Control Module Kit, No Keypad, 36-Station
9	W121-XB	1	Large 12-Station Short-Range (Xbee) Wireless Output Board	14	118-5306	1	Sentinel Control Module Kit, No Keypad, 48-Station
9	W241-XB	1	Large 24-Station Short-Range (Xbee) Wireless Output Board	15	102-5865	4	Station Cable Assy., 17 Inch
9	W361-XB	1	Large 36-Station Short-Range (Xbee) Wireless Output Board	16	102-5868	1	Data Retrieval Cable Assy.
9	W481-XB	1	Large 48-Station Short-Range (Xbee) Wireless Output Board				

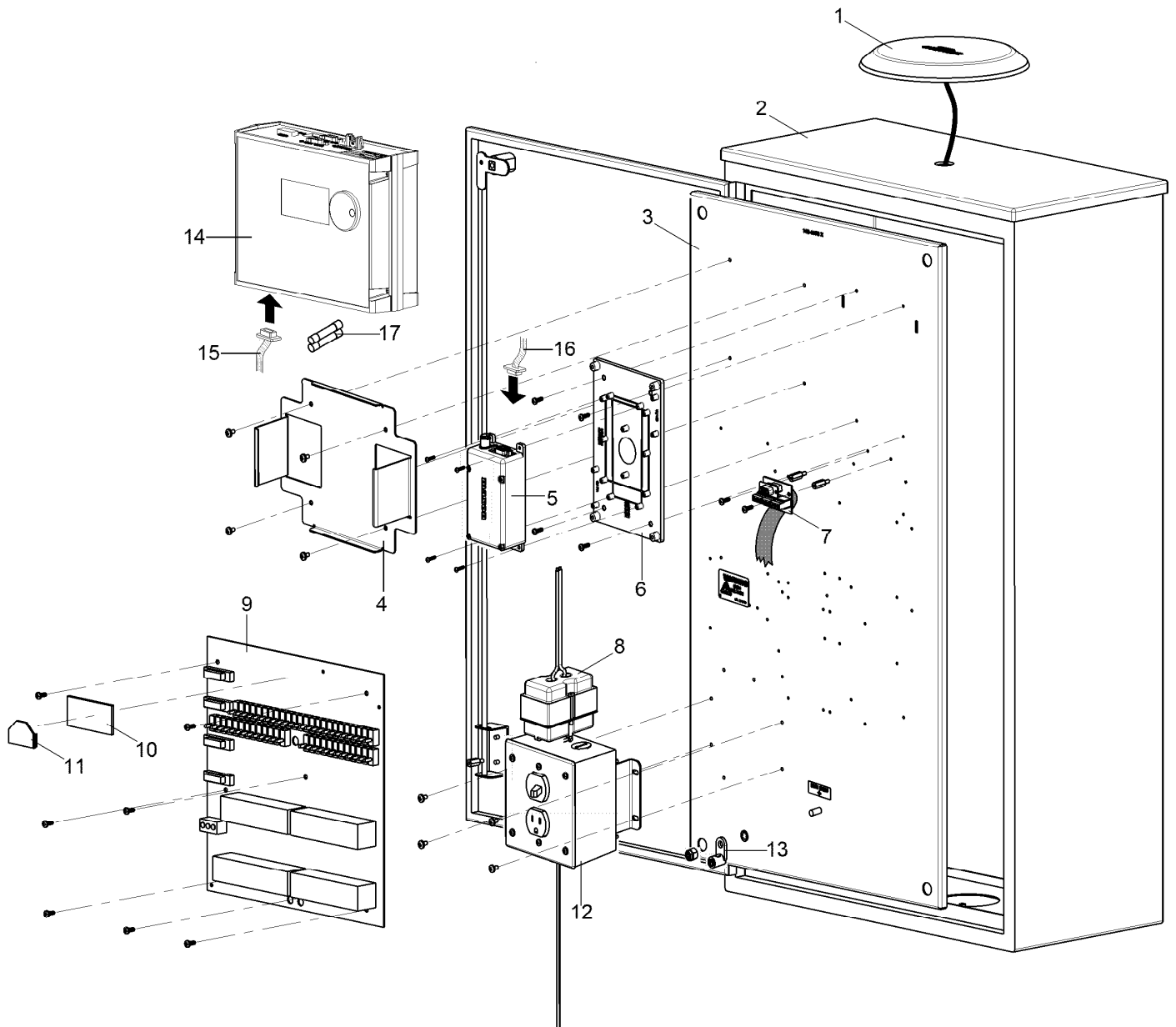
Sentinel WS3, Conventional and No Keypad Models



Sentinel WS3, Conventional and No Keypad Models (continued)

<i>Ref.</i>	<i>Part Number</i>	<i>Qty.</i>	<i>Description</i>	<i>Ref.</i>	<i>Part Number</i>	<i>Qty.</i>	<i>Description</i>
1	118-3785	1	Cabinet Assembly	8	364-0341	1	Encoder, Rotary, Optical
2	615901-H	1	Transformer, 120 V A.C.	9	118-1724	1	Sentinel Display Adapter
3	118-2853SK	1	Sentinel 9-Station Control Module Board	10	118-5211	1	Upper Panel
3	118-2854SK	1	Sentinel 12-Station Control Module Board	11	118-2735	1	Keypad Overlay
3	118-2855SK	1	Sentinel 18-Station Control Module Board	12	364-1771	1	Plastic Knob
4	363-8154	1	Lithium Coin Battery, 2032	13	118-5212	1	Lower Panel
5	118-3674	1	Micro Board Assy.	14	SB-ANT-ATX4	1	450-470 Mhz High Profile, Omnidirectional Uhf Antenna
6	118-4353	1	Universal Radio Mounting Plate	15	102-5868	1	Data Retrieval Cable Assy.
7	SB-RAD-MAX125	1	Maxon 125 Uhf, (Includes Data Cable, Universal Mounting Plate And Screws)	16	102-5865	1	Station Cable Assy., 17 Inch
				17	363-6624	1	1 Gb Sd Card

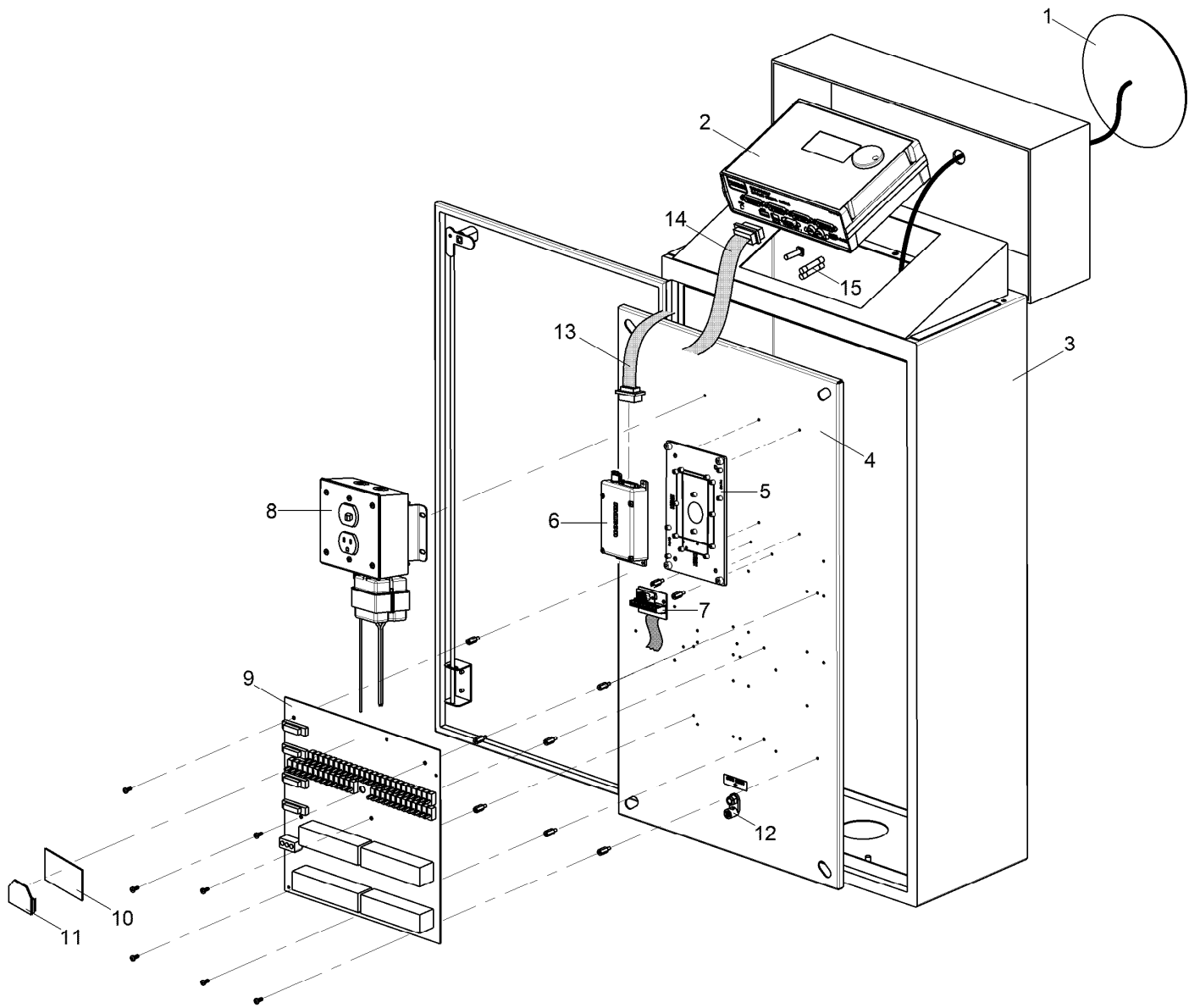
Sentinel WS5, Conventional and Wireless Models



Sentinel WS5, Conventional and Wireless Models (continued)

<i>Ref.</i>	<i>Part Number</i>	<i>Qty.</i>	<i>Description</i>	<i>Ref.</i>	<i>Part Number</i>	<i>Qty.</i>	<i>Description</i>
1	SB-ANT-VRA4	1	450-470 Mhz Low Profile, Omnidirectional Uhf Antenna	9	W241-XB	1	Large 24-Station Short-Range (Xbee) Wireless Output Board
2	363-6193	1	Ws5 Enclosure	9	W361-XB	1	Large 36-Station Short-Range (Xbee) Wireless Output Board
3	118-4170	1	Back Plate, Ws5	9	W481-XB	1	Large 48-Station Short-Range (Xbee) Wireless Output Board
4	118-4198	1	Mounting Bracket, Timing Mechanism	10	118-3109	1	Sentinel Wob Module, Slave (Wireless Models Only)
5	SB-RAD-MAX125	1	Maxon 125 Uhf, (Includes Data Cable, Universal Mounting Plate And Screws)	11	364-1790	1	Mod, Xbee (Wireless Models Only)
6	118-3066	1	Universal Radio Mounting Plate	12	118-4291	1	Junction Box Assembly
7	SB-DRCA	1	Data Retrieval Assembly W/ Terminal Block (Includes 118-3767)	13	363-8639	1	Ground Lug
8	102-2369	1	Power Transformer, 115/24 V A.C., 50 Va	14	118-2712SK	1	Control Module, 12-Station
9	S-121	1	Large 12-Station Conventional Output Board	14	118-2724SK	1	Control Module, 24-Station
9	S-241	1	Large 24-Station Conventional Output Board	14	118-2736SK	1	Control Module, 36-Station
9	S-361	1	Large 36-Station Conventional Output Board	14	118-2748SK	1	Control Module, 48-Station
9	S-481	1	Large 48-Station Conventional Output Board	14	118-3105SK	1	Sentinel Control Module Kit, Wireless (Xbee)
9	W121-XB	1	Large 12-Station Short-Range (Xbee) Wireless Output Board	15	102-5865	4	Station Cable Assy., 17 Inch
				16	102-5868	1	Data Retrieval Cable Assy.
				17	363-9987	1	Small Fuse, 2 Amp, Slow-Blow

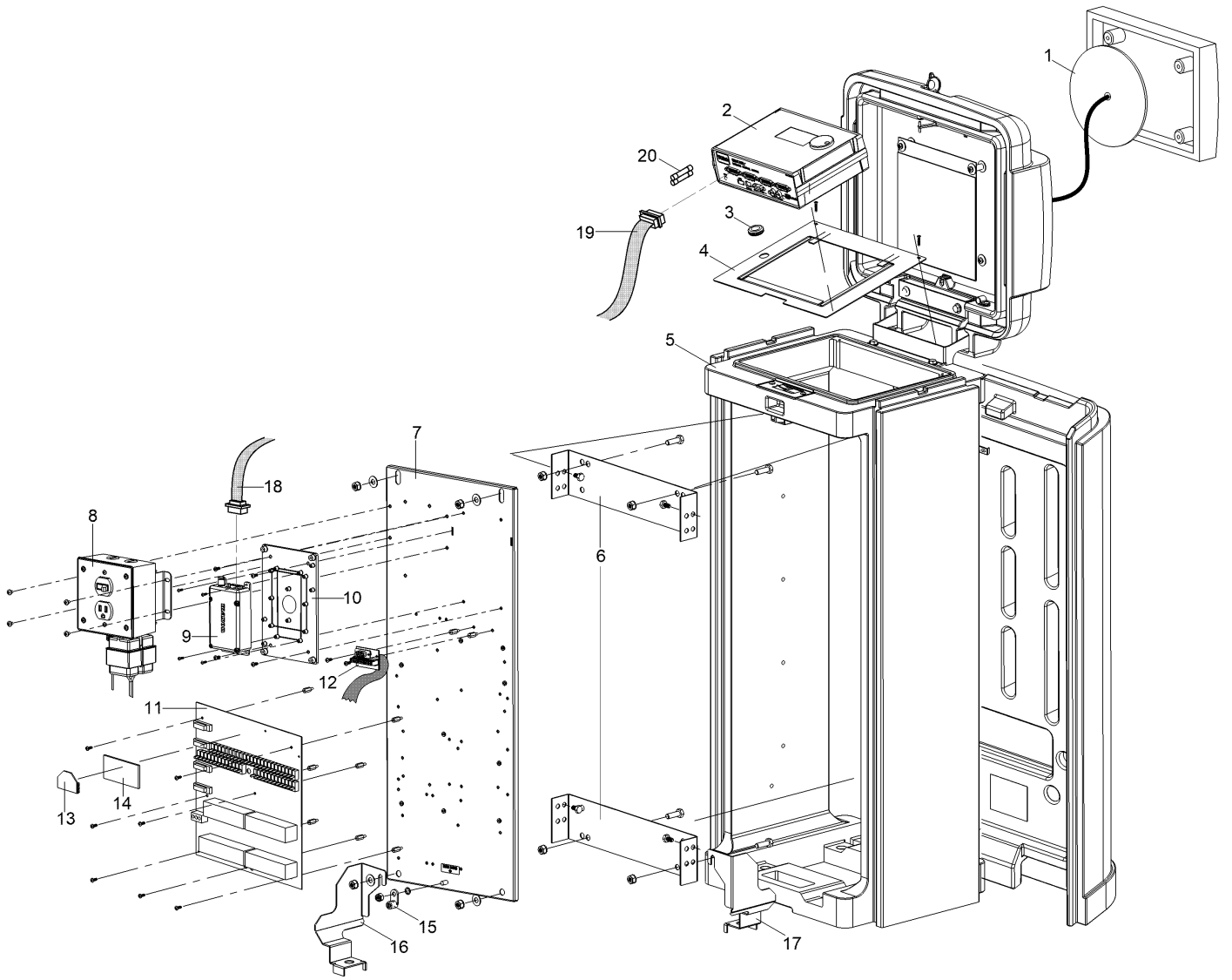
Sentinel PS1, Conventional and Wireless Models



Sentinel PS1, Conventional and Wireless Models (continued)

<i>Ref.</i>	<i>Part Number</i>	<i>Qty.</i>	<i>Description</i>	<i>Ref.</i>	<i>Part Number</i>	<i>Qty.</i>	<i>Description</i>
1	SB-ANT-VRA4	1	450-470 Mhz Low Profile, Omnidirectional Uhf Antenna	9	S-241	1	Large 24-Station Conventional Output Board
2	118-2724SK	1	Sentinel Control Module Kit, 12-Station	9	S-361	1	Large 36-Station Conventional Output Board
2	118-2725SK	1	Sentinel Control Module Kit, 24-Station	9	S-481	1	Large 48-Station Conventional Output Board
2	118-2726SK	1	Sentinel Control Module Kit, 36-Station	9	W121-XB	1	Large 12-Station Short-Range (Xbee) Wireless Output Board
2	118-2727SK	1	Sentinel Control Module Kit, 48-Station	9	W241-XB	1	Large 24-Station Short-Range (Xbee) Wireless Output Board
2	118-3105SK	1	Sentinel Control Module Kit, Wireless (Xbee)	9	W361-XB	1	Large 36-Station Short-Range (Xbee) Wireless Output Board
3	363-6194	1	Ps1 Enclosure	9	W481-XB	1	Large 48-Station Short-Range (Xbee) Wireless Output Board
4	118-4516	1	Back Plate, Ps1	10	118-3109	1	Sentinel Wob Module, Slave (Wireless Models Only)
5	118-3066	1	Universal Radio Mounting Plate	11	364-1790	1	Mod, Xbee (Wireless Models Only)
6	SB-RAD-MAX125	1	Maxon 125 Uhf, (Includes Data Cable, Universal Mounting Plate And Screws)	12	363-8639	1	Ground Lug
7	SB-DRCA	1	Data Retrieval Assembly W/ Terminal Block (Includes 118-3767)	13	102-5868	1	Data Retrieval Cable Assy.
8	118-4320	1	Power Supply Junction Box Assy.	14	102-5865	4	Station Cable, 17 Inch
9	S-121	1	Large 12-Station Conventional Output Board	15	363-9987	2	Small Fuse, 2 Amp, Slow-Blow

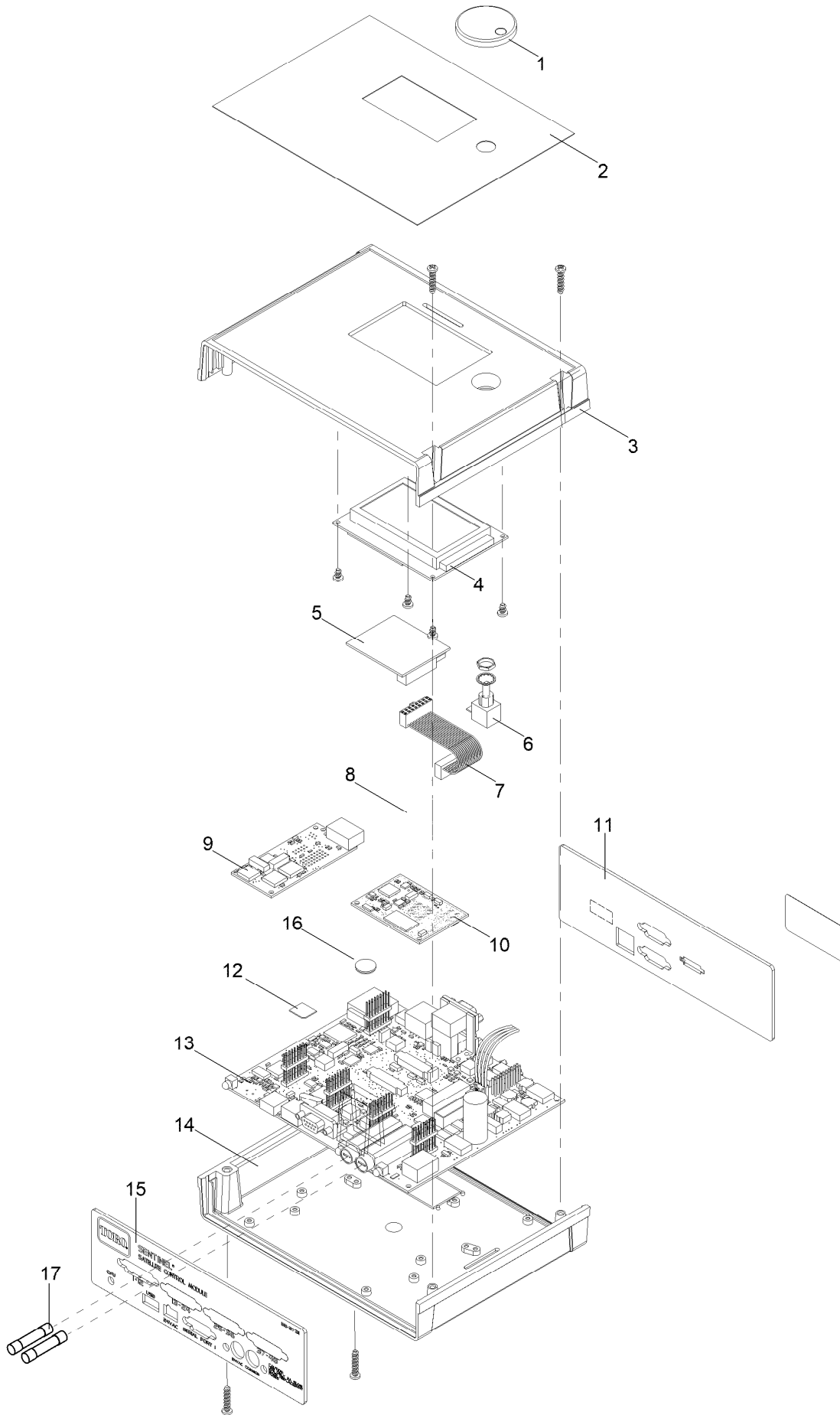
Sentinel PP1, PP2 and PP3



Sentinel PP1, PP2 and PP3 (continued)

<i>Ref.</i>	<i>Part Number</i>	<i>Qty.</i>	<i>Description</i>	<i>Ref.</i>	<i>Part Number</i>	<i>Qty.</i>	<i>Description</i>
1	SB-ANT-VRA4	1	450-470 Mhz Low Profile, Omnidirectional Uhf Antenna	11	S-361	1	Large 36-Station Conventional Output Board
2	118-2724SK	1	Sentinel Control Module Kit, 12-Station	11	S-481	1	Large 48-Station Conventional Output Board
2	118-2725SK	1	Sentinel Control Module Kit, 24-Station	11	W121-XB	1	Large 12-Station Short-Range (Xbee) Wireless Output Board
2	118-2726SK	1	Sentinel Control Module Kit, 36-Station	11	W241-XB	1	Large 24-Station Short-Range (Xbee) Wireless Output Board
2	118-2727SK	1	Sentinel Control Module Kit, 48-Station	11	W361-XB	1	Large 36-Station Short-Range (Xbee) Wireless Output Board
2	118-3105SK	1	Sentinel Control Module Kit, Wireless (Xbee)	11	W481-XB	1	Large 48-Station Short-Range (Xbee) Wireless Output Board
3	363-4419	1	Rubber Grommit	12	SB-DRCA	1	Data Retrieval Assembly W/ Terminal Block (Includes 118-3767)
4	118-4337	1	Top Tray	13	364-1790	1	Mod, Xbee (Wireless Models Only)
5	118-0828	1	Plastic Pedestal Assembly (See Plastic Pedestal Parts Breakout)	14	118-3109	1	Sentinel Wob Module, Slave (Wireless Models Only)
6	118-1015	2	Bracket	15	363-8639	1	Ground Lug
7	118-3086	1	Backplate, Bare	16	102-3073	1	Foot Support Bracket
8	118-4320	1	Power Supply Junction Box Assy.	17	102-3072	1	Foot Mount Bracket
8	118-4403	1	Power Supply Junction Box Assy., 100Va	18	102-5868	1	Data Retrieval Cable Assy.
9		1	Maxon 125 Uhf, (Includes Data Cable, Universal Mounting Plate And Screws)	19	102-5865	4	Station Cable, 17 Inch
10	118-3066	1	Universal Radio Mounting Plate	20	363-9987	2	Small Fuse, 2 Amp, Slow-Blow
11	S-121	1	Large 12-Station Conventional Output Board				
11	S-241	1	Large 24-Station Conventional Output Board				

Sentinel V3 Control Module

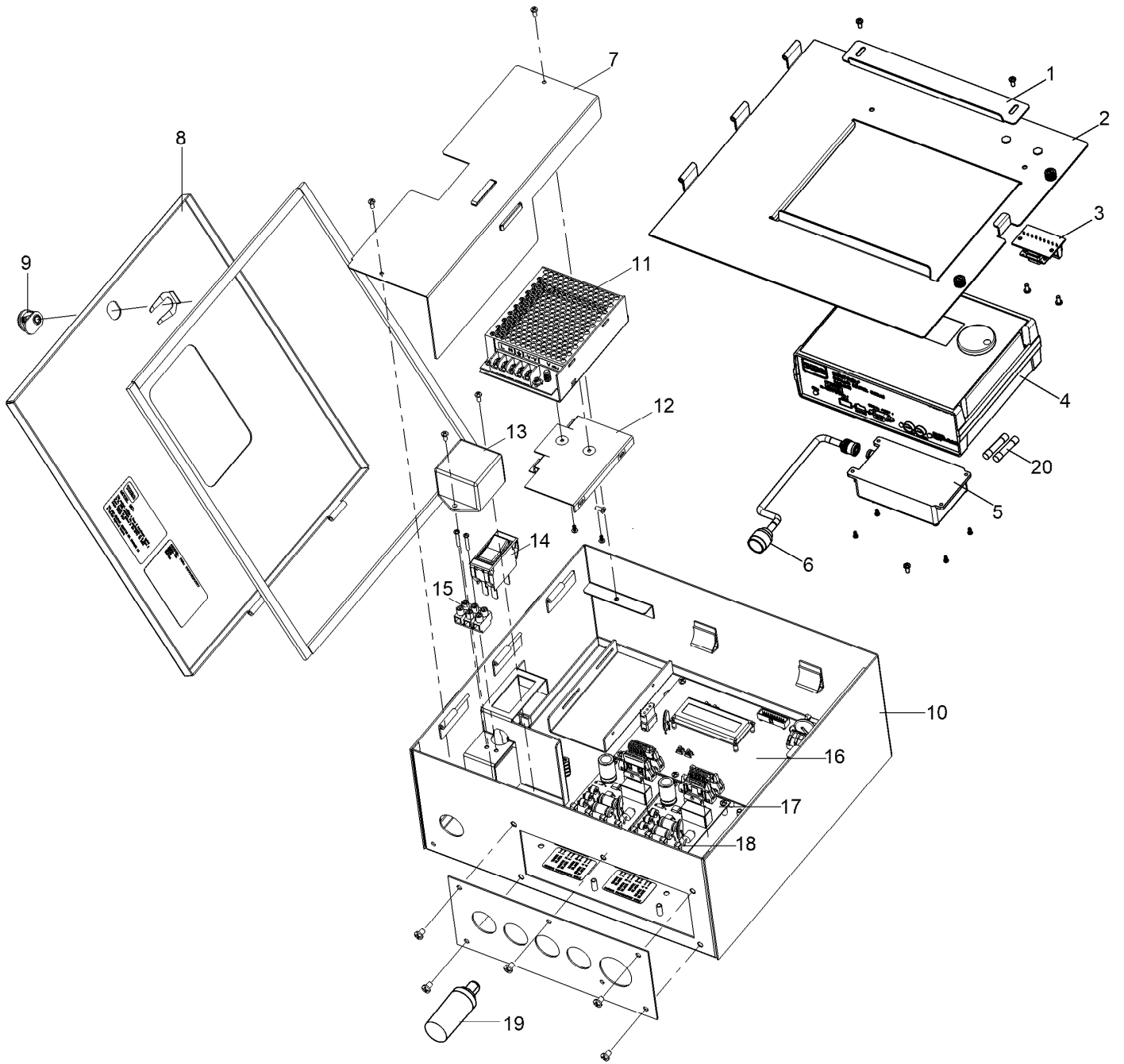


Sentinel V3 Control Module (continued)

<i>Ref.</i>	<i>Part Number</i>	<i>Qty.</i>	<i>Description</i>	<i>Ref.</i>	<i>Part Number</i>	<i>Qty.</i>	<i>Description</i>
1	364-1771	1	Plastic Knob	9	118-1726	1	Radio Adapter
2	118-2735	1	Keypad Overlay	10	118-3674	1	Micro Board Assy.
3	118-2733	1	Top Case	11	118-2734	1	Rear Panel
4	118-1724	1	Sentinel Display Adapter (Includes Item 5)	12	363-6624	1	1 Gb Sd Card
5		1	Display Adapter Board (Included With Item 4)●	13	118-1431	1	Control Module Main Board
6	364-0341	1	Encoder, Rotary, Optical	14	118-2732	1	Bottom Case
7	364-1135	1	Station Cable	15	118-2731	1	Front Panel
8	118-0938	1	Station Output Board	16	363-8154	1	Lithium Coin Battery, 2032
				17	363-9987	2	Small Fuse, 2 Amp, Slow-Blow

● Not serviced separately

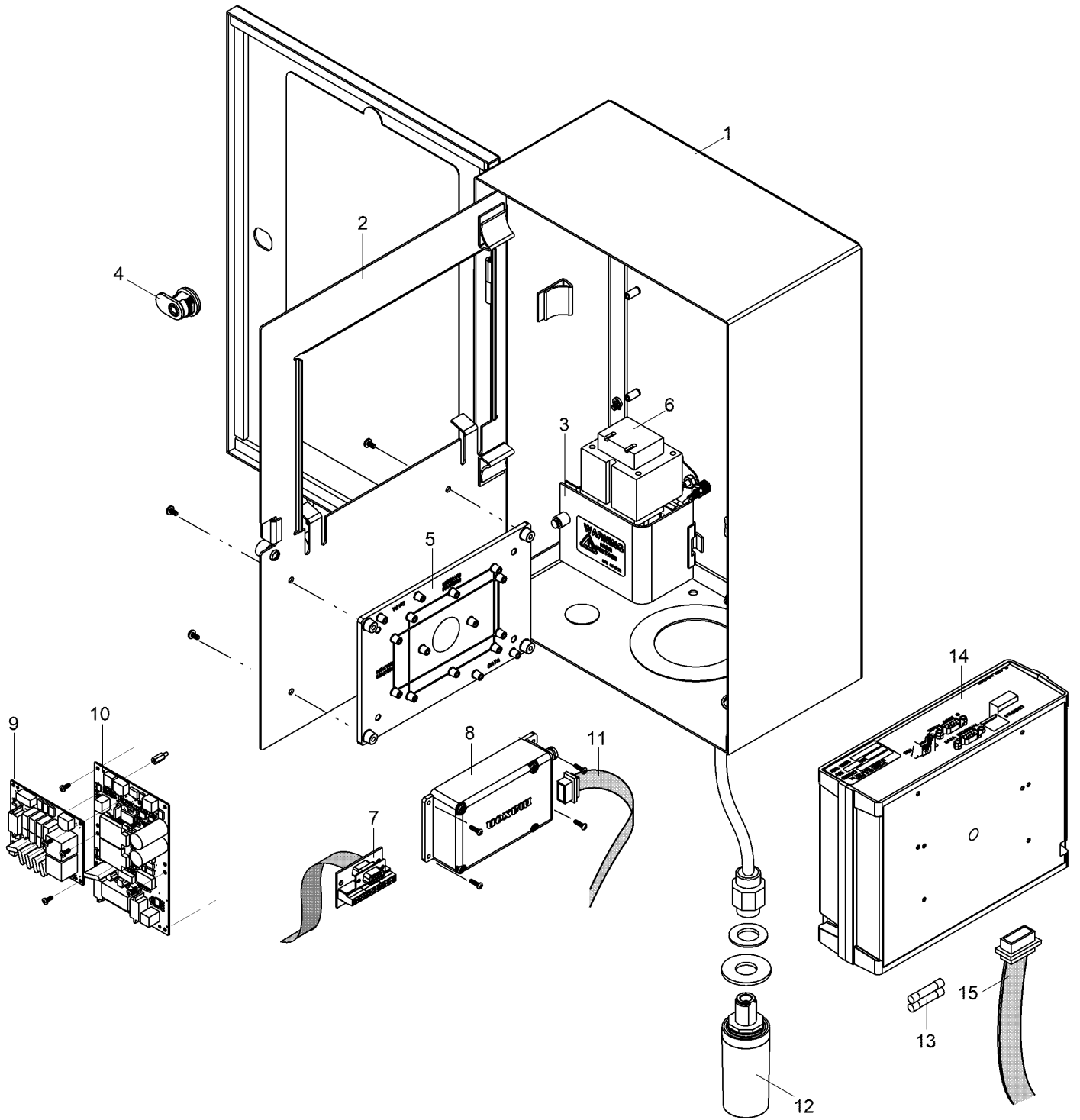
Sentinel 2-Wire Decoder



Sentinel 2-Wire Decoder (continued)

<i>Ref.</i>	<i>Part Number</i>	<i>Qty.</i>	<i>Description</i>	<i>Ref.</i>	<i>Part Number</i>	<i>Qty.</i>	<i>Description</i>
1	102-3424	1	Upper Bracket, Tm	12	118-0475	1	Power Supply Bracket, Upper
2	102-5049	1	Panel, Gateway, Decoder (Stand-Alone Models Only)	13	102-9741	1	Ttf, Filter Assembly
3	SB-DRCA	1	Data Retrieval Assembly W/ Terminal Block (Includes 118-3767)	14	363-3361	1	Switch, Circuit Breaker, 1.5A
4	118-3106SK	1	Sentinel 2-Wire Timing Mechanism	15	363-8650	1	Terminal Block, 3-Position
5	SB-RAD-MAX125	1	Maxon 125 Uhf, (Includes Data Cable, Universal Mounting Plate And Screws)	16	118-2750SK	1	Motherboard Assembly With Tricomm, Gateway Decoder
6	102-5739	1	Antenna Wire	17	118-2749SK	1	Pcb Assy., Gateway Daughterboard
7	118-0496	1	Power Supply Cover, Gateway, Decoder	18	363-8506	1	Fuse, 5 X 20Mm, Fast, 3.15A, 250V
8	102-5048SK	1	Door, Gateway Decoder	19	SB-ANT-ATX4	1	450-470 Mhz High Profile, Omnidirectional Uhf Antenna
9	363-3785	1	Lock Assy. W/Keys	20	363-9987	2	Small Fuse, 2 Amp, Slow-Blow
10	102-5047SK	1	Cabinet, Gateway Decoder				
11	118-0540	1	Power Supply, AC/DC, Gateway, Decoder				

Sentinel WS1, AC Two-Wire



Sentinel WS1, AC Two-Wire (continued)

<i>Ref.</i>	<i>Part Number</i>	<i>Qty.</i>	<i>Description</i>	<i>Ref.</i>	<i>Part Number</i>	<i>Qty.</i>	<i>Description</i>
1	118-6025	1	Cabinet Assembly	10	118-3998	1	AC Decoder Pcb
2	118-6030	1	Inner Door	11	102-5868	1	Data Retrieval Cable Assy.
3	118-6026	1	Transformer Cover	12	SB-ANT-ATX4	1	450-470 Mhz High Profile, Omnidirectional Uhf Antenna
4	363-1414	1	Lock	13	363-9987	2	Small Fuse, 2 Amp, Slow-Blow
5	118-3066	1	Universal Radio Mounting Plate	14	118-3106	1	Sentinel Timing Mechanism, 2-Wire
6	118-0894	1	Transformer, 115 V A.C., 50Va	15	118-0787	1	Cable, Connect Mv To Tm
7	SB-DRCA	1	Data Retrieval Assembly W/ Terminal Block (Includes 118-3767)	118-4459	1	Cable, Connect Mv To Decoder ■●	
8	SB-RAD-MAX125	1	Maxon 125 Uhf, (Includes Data Cable, Universal Mounting Plate And Screws)	118-4460	1	Cable, Connect Decoder To Tm ■●	
9	118-4255	1	Mv Output Board				

● SERVICE ITEMS

■ Not illustrated

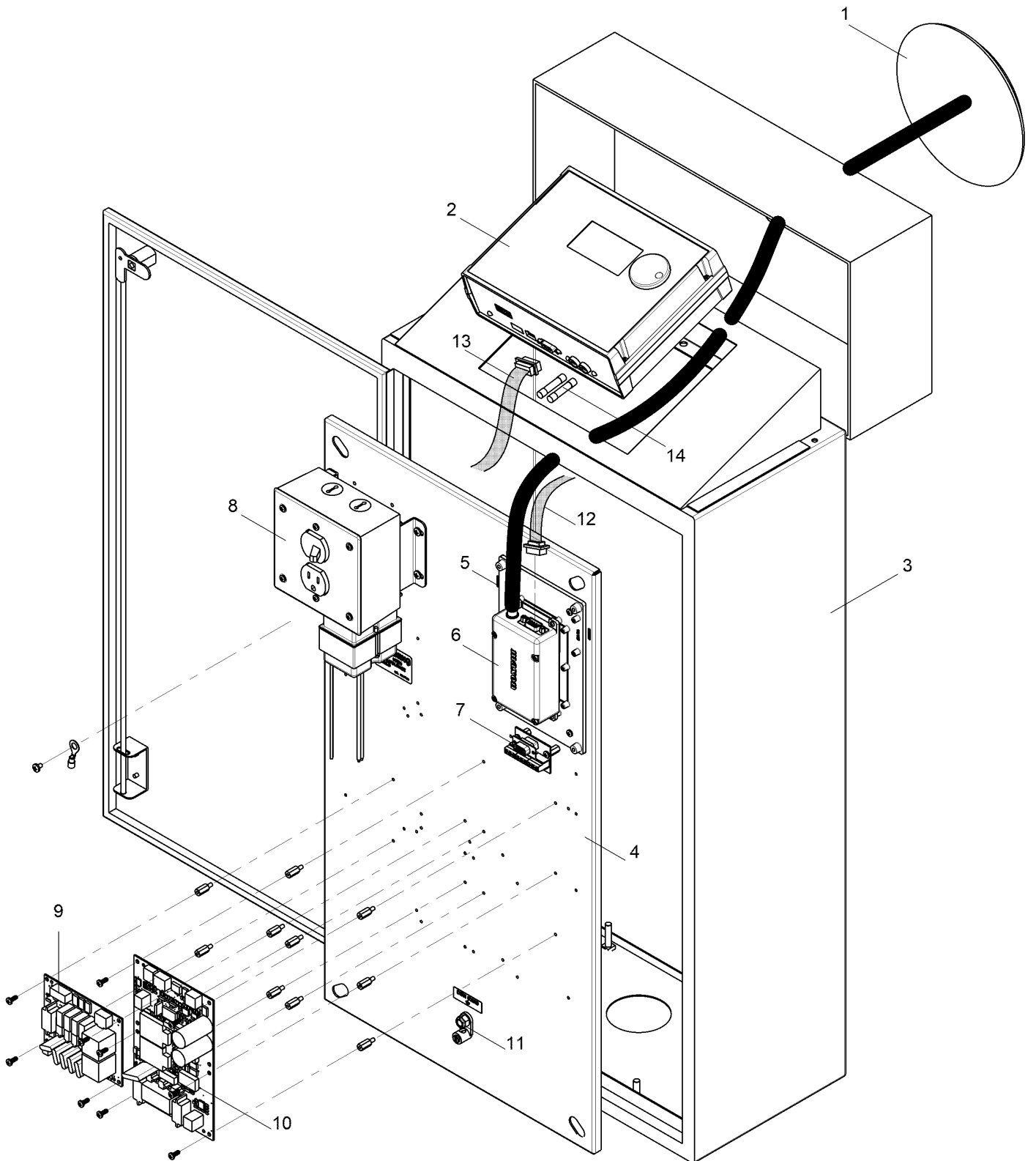
Sentinel WS5, AC Two-Wire (continued)

<i>Ref.</i>	<i>Part Number</i>	<i>Qty.</i>	<i>Description</i>	<i>Ref.</i>	<i>Part Number</i>	<i>Qty.</i>	<i>Description</i>
1	SB-ANT-VRA4	1	450-470 Mhz Low Profile, Omnidirectional Uhf Antenna	9	118-4255	1	Mv Output Board
2	363-6193	1	Ws5 Enclosure	10	118-3998	1	AC Decoder Pcb
3	118-4170	1	Back Plate, Ws5	11	102-5868	1	Data Retrieval Cable Assy.
4	118-4198	1	Mounting Bracket, Timing Mechanism	12	118-4291	1	Junction Box Assembly
5		1	Maxon 125 Uhf, (Includes Data Cable, Universal Mounting Plate And Screws)	13	363-8639	1	Ground Lug
	SB-RAD-MAX125			14	118-3106	1	Sentinel Timing Mechanism, 2-Wire
6	118-3066	1	Universal Radio Mounting Plate	15	118-0787	1	Cable, Connect Mv To Tm
7	SB-DRCA	1	Data Retrieval Assembly W/ Terminal Block (Includes 118-3767)	16	363-9987	2	Small Fuse, 2 Amp, Slow-Blow
8	102-2369	1	Power Transformer, 115/24 V A.C., 50 Va		118-4459	1	Cable, Connect Mv To Decoder ■●
					118-4460	1	Cable, Connect Decoder To Tm ■●

● SERVICE ITEMS

■ Not illustrated

Sentinel PS1, AC Two-Wire



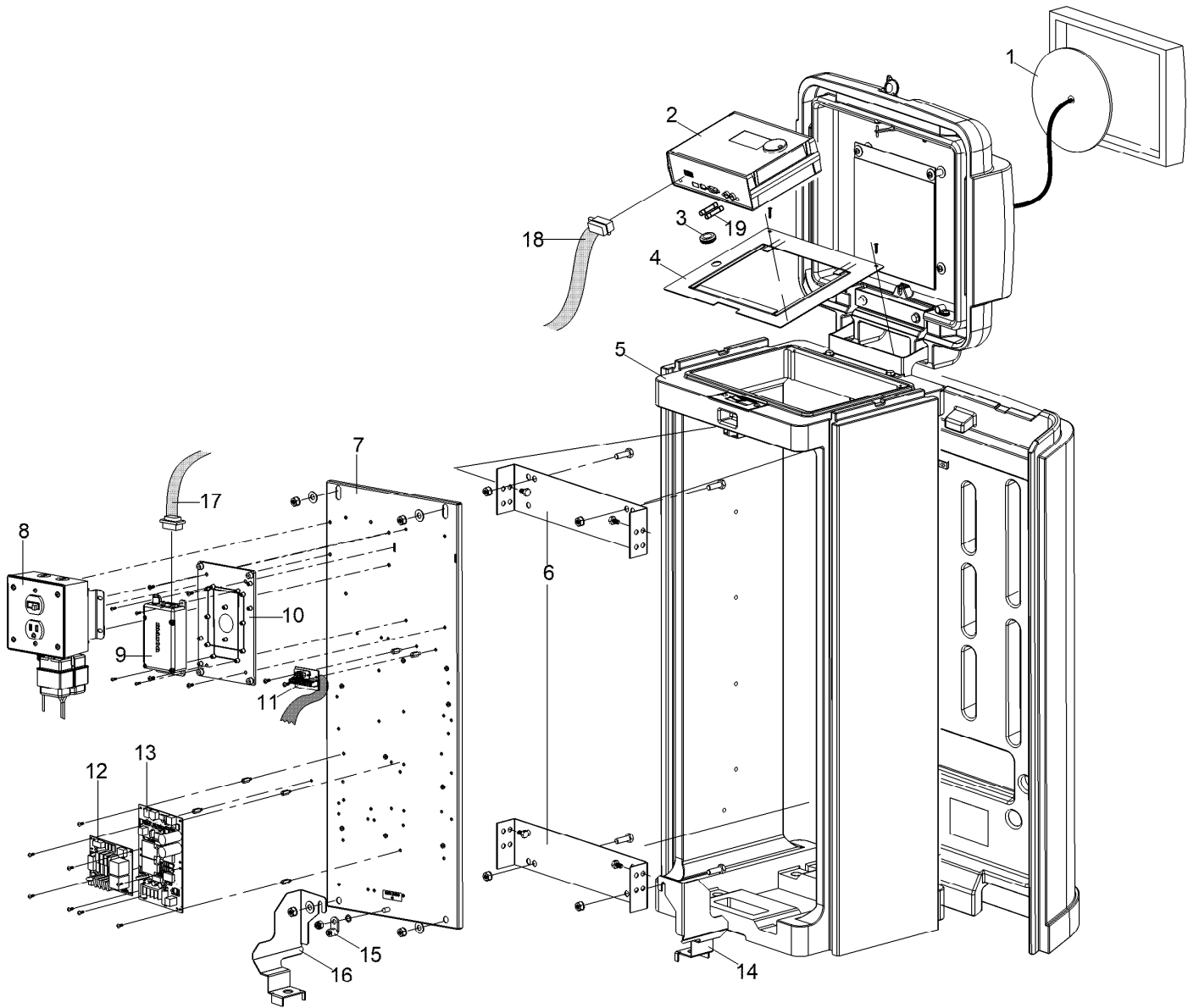
Sentinel PS1, AC Two-Wire (continued)

<i>Ref.</i>	<i>Part Number</i>	<i>Qty.</i>	<i>Description</i>	<i>Ref.</i>	<i>Part Number</i>	<i>Qty.</i>	<i>Description</i>
1	SB-ANT-VRA4	1	450-470 Mhz Low Profile, Omnidirectional Uhf Antenna	8	118-4320	1	Power Supply Junction Box Assy.
2	118-3106	1	Sentinel Timing Mechanism, 2-Wire	9	118-4255	1	Mv Output Board
3	363-6194	1	Ps1 Enclosure	10	118-3998	1	AC Decoder Pcb
4	118-4516	1	Back Plate, Ps1	11	363-8639	1	Ground Lug
5	118-3066	1	Universal Radio Mounting Plate	12	102-5868	1	Data Retrieval Cable Assy.
6	SB-RAD-MAX125	1	Maxon 125 Uhf, (Includes Data Cable, Universal Mounting Plate And Screws)	13	118-4584	1	Cable, Connect Mv To Tm
7	SB-DRCA	1	Data Retrieval Assembly W/ Terminal Block (Includes 118-3767)	14	363-9987	2	Small Fuse, 2 Amp, Slow-Blow
					118-4459	1	Cable, Connect Mv To Decoder ■●
					118-4460	1	Cable, Connect Decoder To Tm ■●

● SERVICE ITEMS

■ Not illustrated

Sentinel PP1, PP2 and PP3 - AC Two-Wire



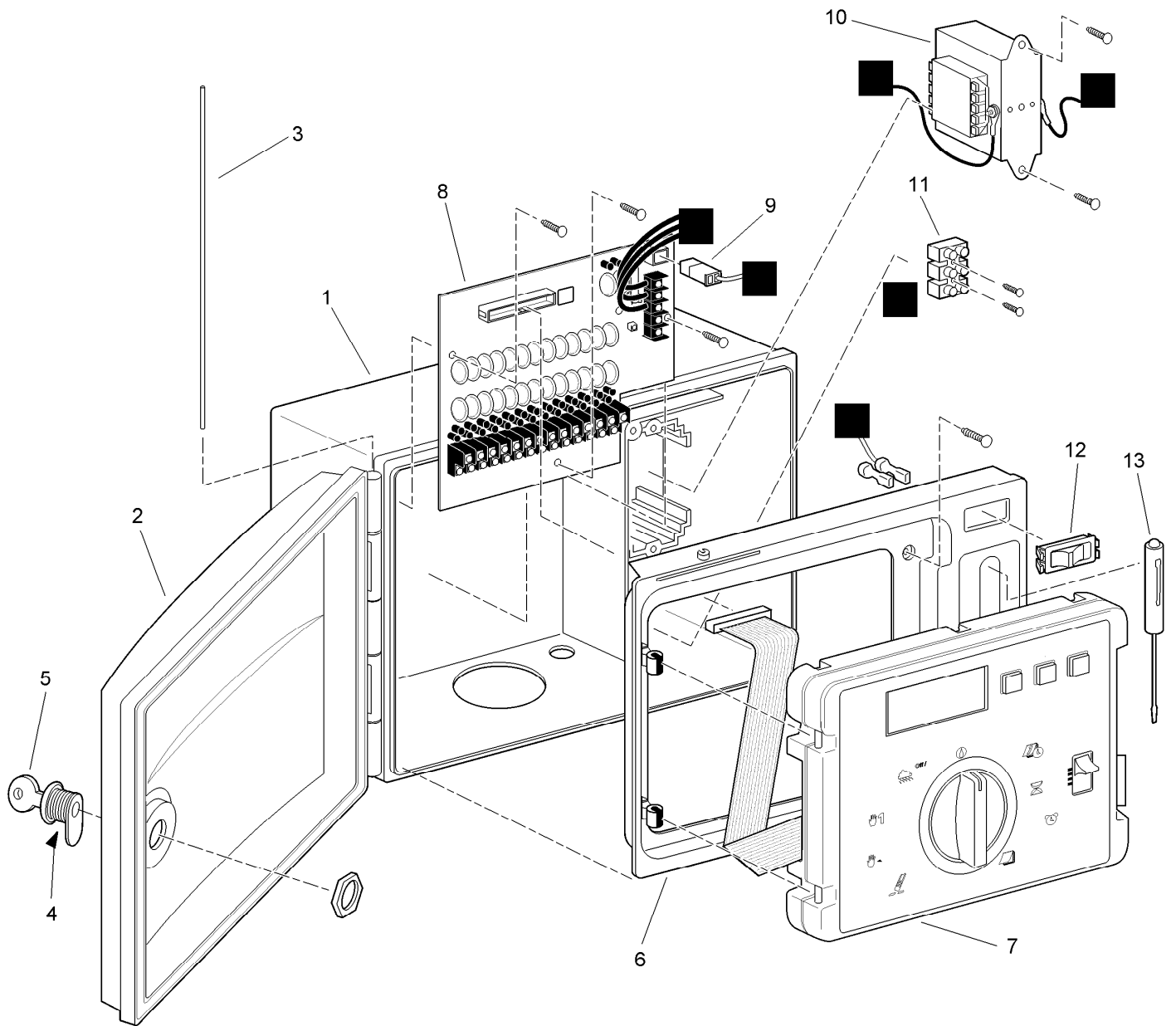
Sentinel PP1, PP2 and PP3 - AC Two-Wire (continued)

<i>Ref.</i>	<i>Part Number</i>	<i>Qty.</i>	<i>Description</i>	<i>Ref.</i>	<i>Part Number</i>	<i>Qty.</i>	<i>Description</i>
1	SB-ANT-VRA4	1	450-470 Mhz Low Profile, Omnidirectional Uhf Antenna	10	118-3066	1	Universal Radio Mounting Plate
2	118-3106	1	Sentinel Timing Mechanism, 2-Wire	11	SB-DRCA	1	Data Retrieval Assembly W/ Terminal Block (Includes 118-3767)
3	363-4419	1	Rubber Grommit	12	118-4255	1	Mv Output Board
4	118-4337	1	Top Tray	13	118-3998	1	AC Decoder Pcb
5	118-0828	1	Plastic Pedestal Assembly (See Plastic Pedestal Parts Breakout)	14	102-3072	1	Foot Mount Bracket
6	118-1015	2	Bracket	15	363-8639	1	Ground Lug
7	118-3086	1	Backplate, Bare	16	102-3073	1	Foot Support Bracket
8	118-4320	1	Power Supply Junction Box Assy.	17	102-5868	1	Data Retrieval Cable Assy.
8	118-4403	1	Power Supply Junction Box Assy., 100Va	18	118-4584	1	Cable, Connect Mv To Tm
9	SB-RAD-MAX125	1	Maxon 125 Uhf, (Includes Data Cable, Universal Mounting Plate And Screws)	19	363-9987	2	Small Fuse, 2 Amp, Slow-Blow
					118-4460	1	Cable, Connect Decoder To Tm ■●
					118-4459	1	Cable, Connect Mv To Decoder ■●

● SERVICE ITEMS

■ Not illustrated

Custom Command 9 through 24 Station - Plastic



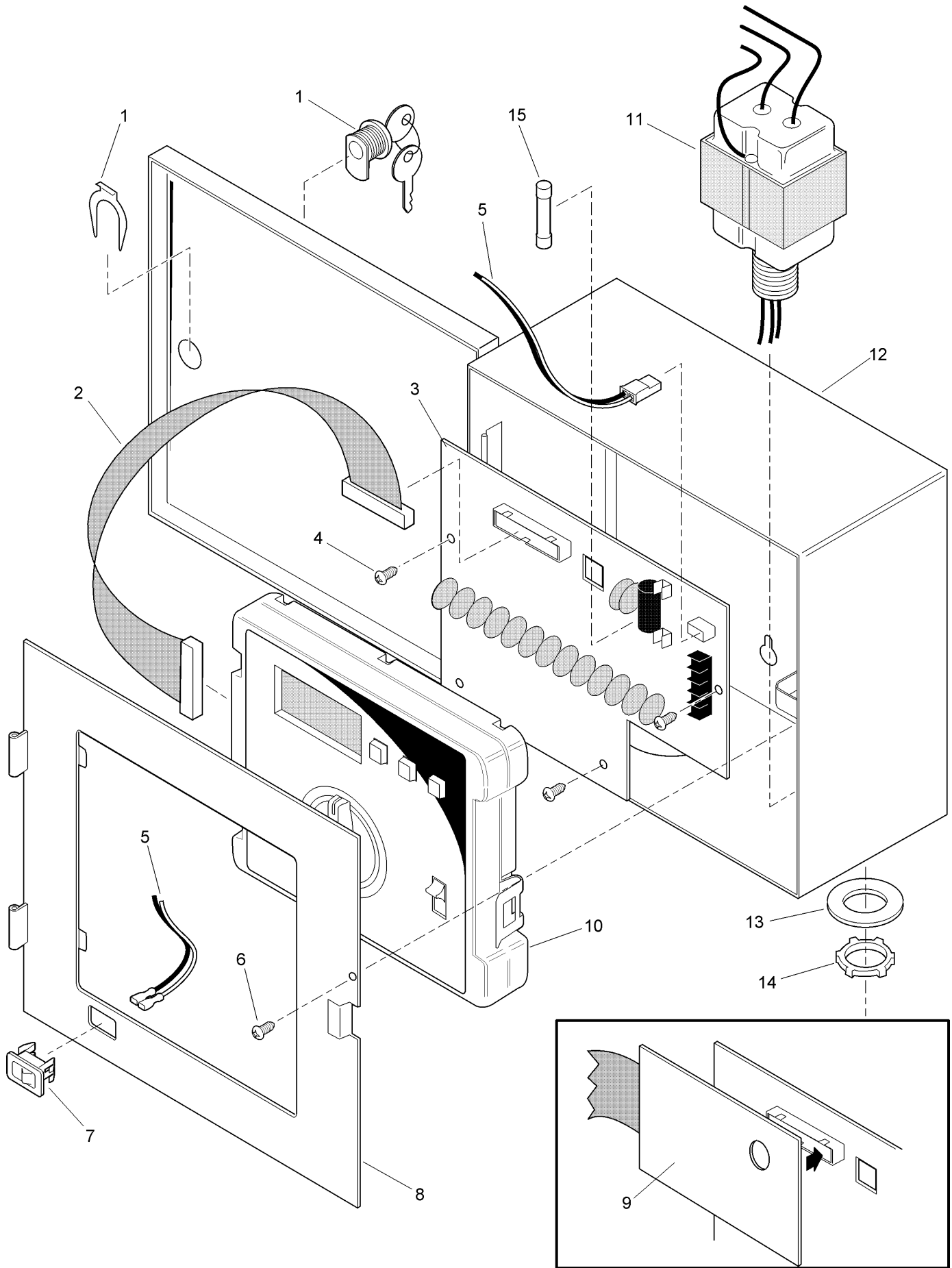
Custom Command 9 through 24 Station - Plastic (continued)

<i>Ref.</i>	<i>Part Number</i>	<i>Qty.</i>	<i>Description</i>	<i>Ref.</i>	<i>Part Number</i>	<i>Qty.</i>	<i>Description</i>
1	89-9641	1	Case, Back, Plastic	8	89-9833	1	Pcb Assy., 9-Station
2	89-9642	1	Cover, Case, Plastic	8	89-9834	1	Surge Board, 12-Station
3	89-9872	1	Pin, Hinge	8	89-9890	1	Surge Board, 15-Station
4	363-3884	1	Lock Assy.	8	89-9891	1	Surge Board, 18-Station
5	360-0565	2	Key	8	89-9892	1	Surge Board, 24-Station
6	89-9643	1	Faceplate	9	1077601	1	Wire Harness
7		1	Timing Mechanism Module, 6-Station ▲	10	89-9624	1	Transformer Assy., 120 V A.C., 50Va
7	102-7804	1	Timing Mechanism Module, 9-Station	10	89-9623	1	Transformer Assy., 220?240 V A.C., 50Va
7	102-7805	1	Timing Mechanism Module, 12-Station	11		1	Terminal Block ▲
7	102-7806	1	Timing Mechanism Module, 15-Station	12	1077501	1	Slide Switch
7	102-7807	1	Timing Mechanism Module, 18-Station	13	363-3885	1	Screwdriver, Toro
7	102-7808	1	Timing Mechanism Module, 24-Station		102-2656		Kit, Service, Surge Board, 12-Station (Export Models Only) ■
8	89-9832	1	Pcb Assy., 6-Station		102-2657		Kit, Service, Surge Board, 24-Station (Export Models Only) ● ■

● SERVICE ITEMS
▲ Not serviced separately

■ Not illustrated

Custom Command 12-24 Station - Metal Cabinet



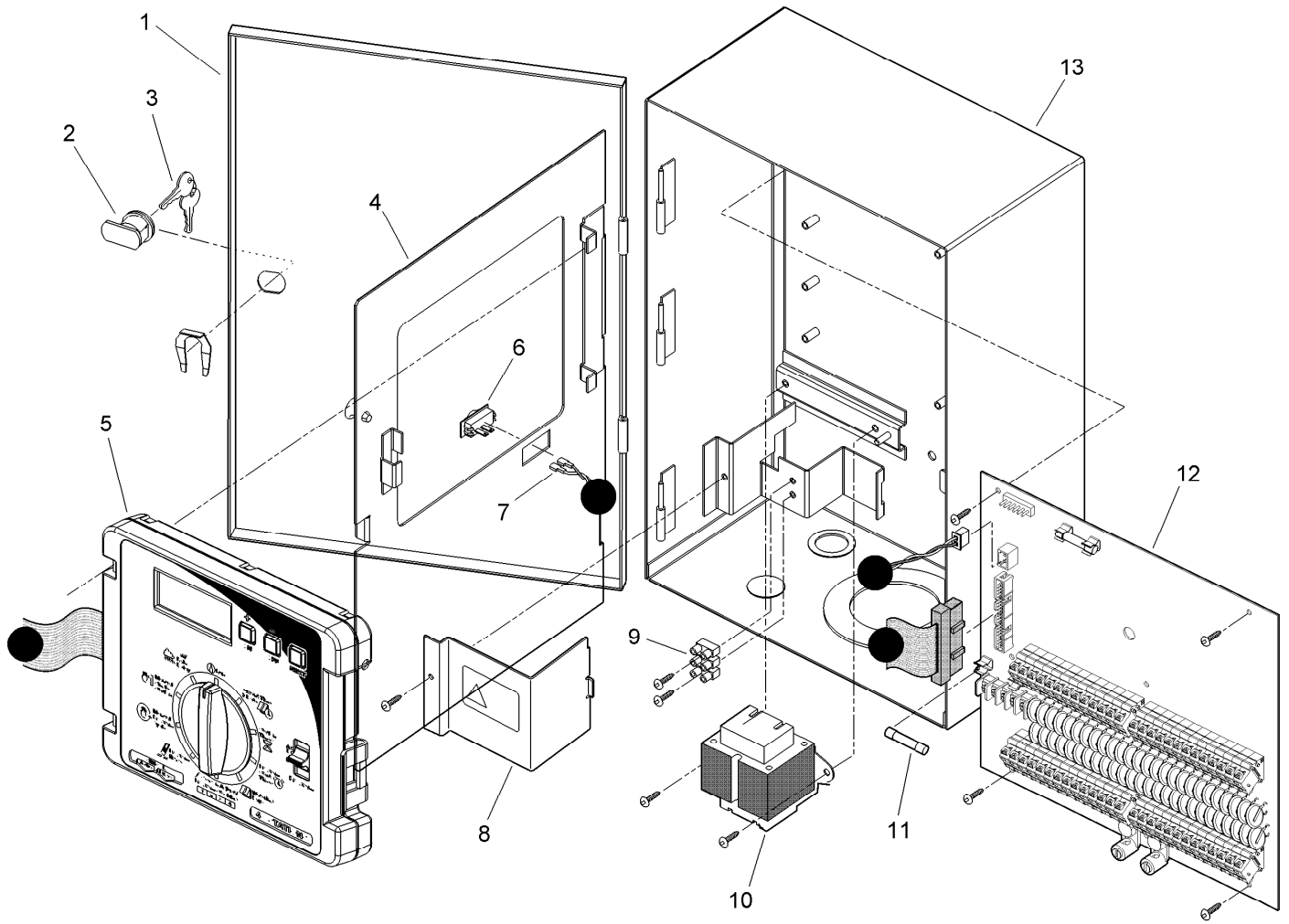
Custom Command 12-24 Station - Metal Cabinet (continued)

<i>Ref.</i>	<i>Part Number</i>	<i>Qty.</i>	<i>Description</i>	<i>Ref.</i>	<i>Part Number</i>	<i>Qty.</i>	<i>Description</i>
1	363-3785	1	Lock Assy. W/Keys	10	102-7808	1	Timing Mechanism Module, 24-Station
2	1073302	1	Cable Harness	11	615901-H	1	Transformer, 120 V A.C.
3	89-9834	1	Surge Board, 12-Station	12	1080101	1	Case Assy., Metal (120 V A.C. Models Only)
3	89-9890	1	Surge Board, 15-Station	13	657401	1	Washer
3	89-9891	1	Surge Board, 18-Station	14	8619	1	Nut, Conduit, 1/2 Inch
3	89-9892	1	Surge Board, 24-Station	15	102-3406	1	Fuse, 2 Amp , Slow-Blow (10-Pack)
4			Screw ▲		102-2656	1	Kit, Service, Surge Board, 12-Station (Export Models Only) ●■
5	1077601	1	Wire Harness		102-2657	1	Kit, Service, Surge Board, 24-Station (Export Models Only) ●■
6			Screw ▲		R89-9255	1	Kit, Transformer, 220 V A.C. 50 Hz, 50 Va (Export Models Only) ●■
7	1077501	1	Slide Switch				
8	89-9175	1	Panel, Mounting				
9	89-9159	1	Pct Connector To Terminal Board				
10	102-7805	1	Timing Mechanism Module, 12-Station				
10	102-7806	1	Timing Mechanism Module, 15-Station				
10	102-7807	1	Timing Mechanism Module, 18-Station				

● SERVICE ITEMS
▲ Not serviced separately

■ Not illustrated

Custom Command 36 and 48 Stn - Metal Cabinet

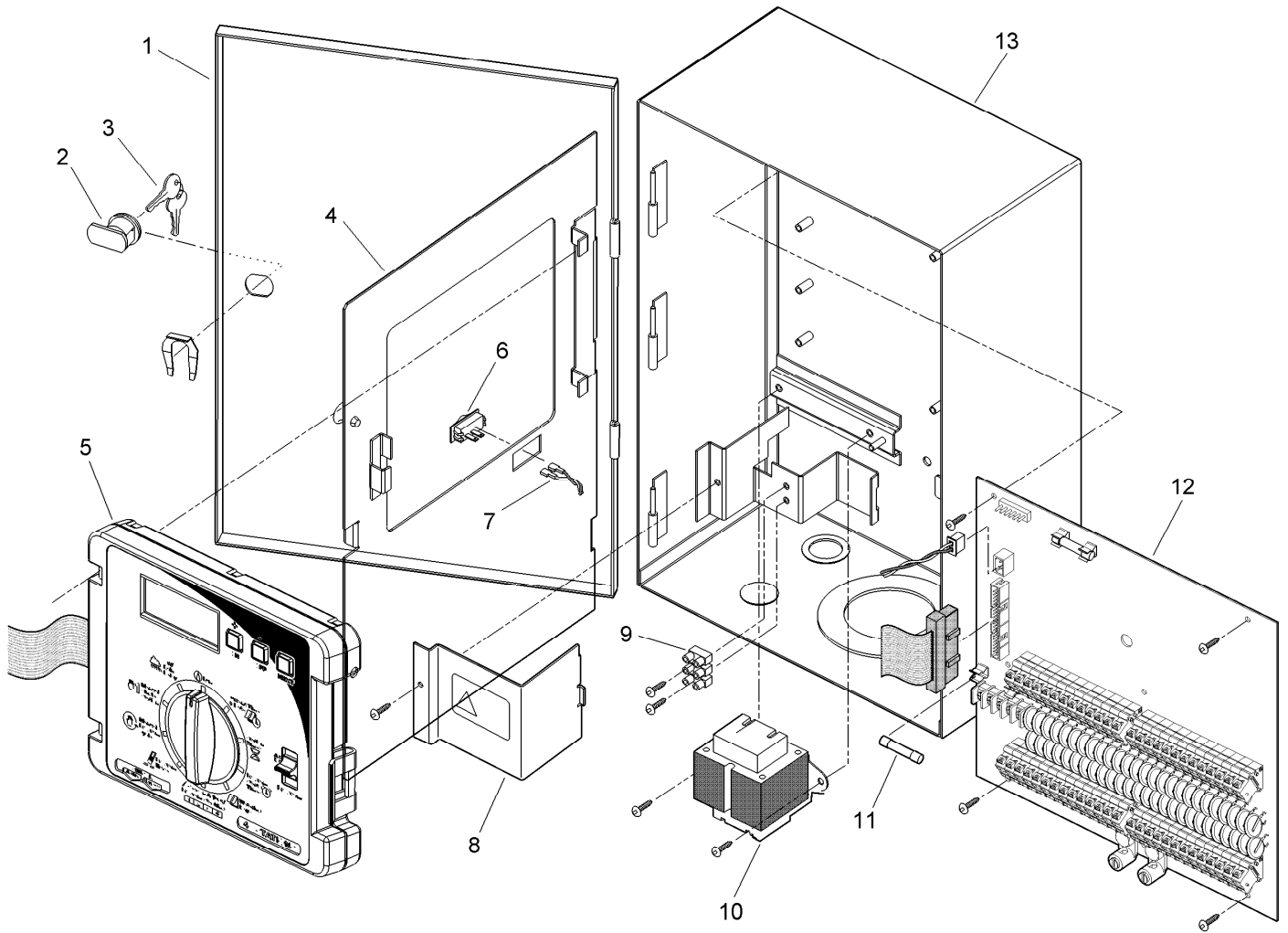


Custom Command 36 and 48 Stn - Metal Cabinet (continued)

<i>Ref.</i>	<i>Part Number</i>	<i>Qty.</i>	<i>Description</i>	<i>Ref.</i>	<i>Part Number</i>	<i>Qty.</i>	<i>Description</i>
1	102-3527	1	Cover, Outer Door (Includes Items 2 & 3)	9		1	Terminal Block, 3-Position ●
2	102-3529	1	Lockset (Includes Item 3)	10	102-3534	1	Transformer, 120 V A.C., 60 Hz (Domestic Model)
3	360-0565	1	Keys, 2 With Ring	10	R89-9255	1	Kit, Transformer, 220 V A.C. 50 Hz, 50 Va (International Model)
4	102-3528	1	Cover, Inner Door	11	102-3406	2	Fuse, 2 Amp , Slow-Blow (10-Pack)
5	102-3530	1	Timing Mechanism Module, 36-Station	12	102-3532	1	Output Board, 36-Station
5	102-3531	1	Timing Mechanism Module, 48-Station	12	102-3533	1	Output Board, 48-Station
6	1077501	1	Slide Switch	13	102-3537	1	Rear Case (Includes Items 7 & 8)
7	1077601	1	Wire Harness				
8	102-3535	1	Cover, Power Supply				

● Not serviced separately

Custom Command 48 Station

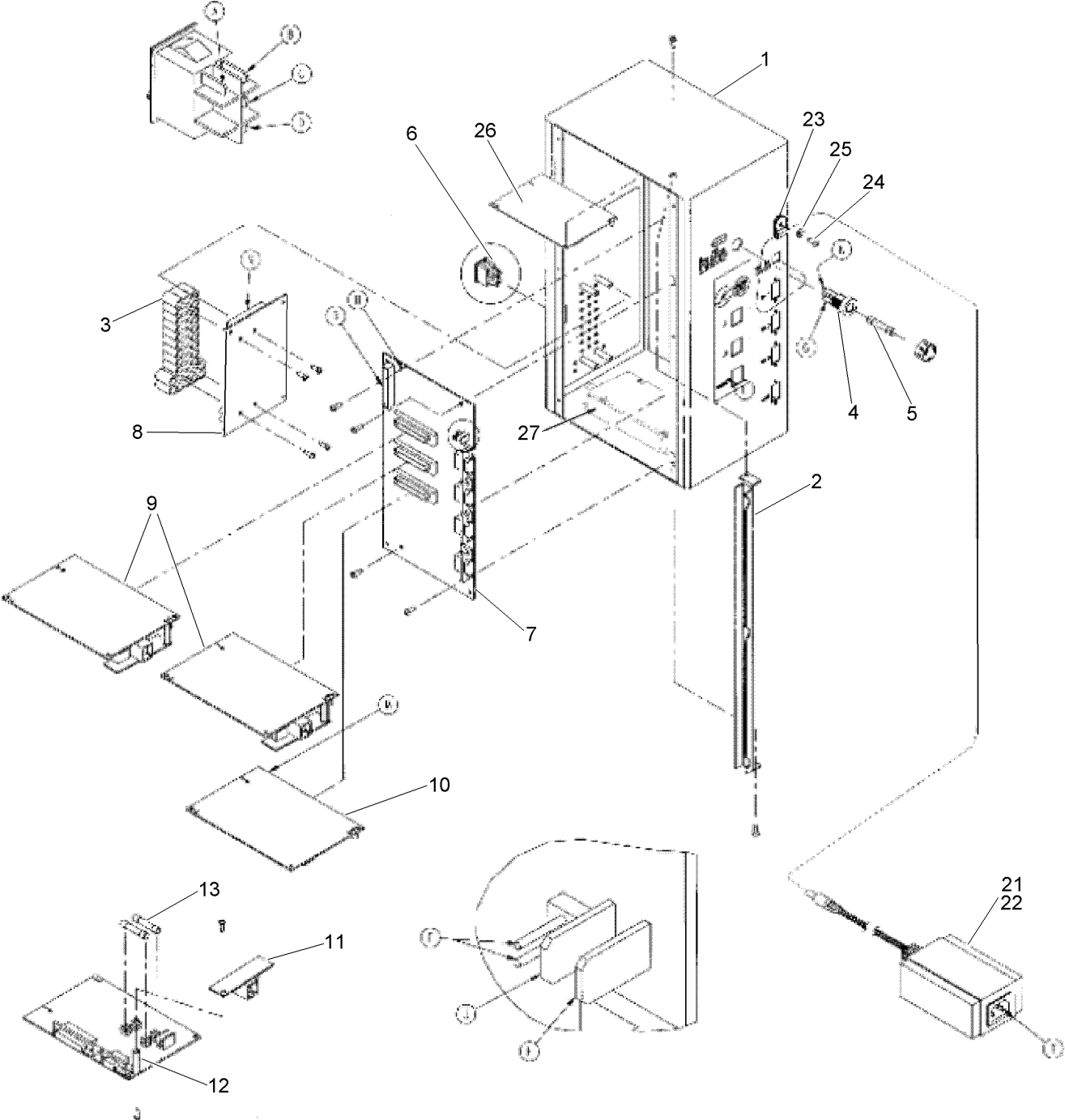


Custom Command 48 Station (continued)

<i>Ref.</i>	<i>Part Number</i>	<i>Qty.</i>	<i>Description</i>	<i>Ref.</i>	<i>Part Number</i>	<i>Qty.</i>	<i>Description</i>
1	102-3527	1	Cover, Outer Door (Includes Items 2 And 3)	9		1	Terminal Block, 3-Position ●
2	102-3529	1	Lockset (Includes Item 3)	10	102-3534	1	Transformer, 120 V A.C., 60 Hz (Domestic Model)
3	360-0565	1	Keys, 2 W/Ring	10	R89-9255	1	Transformer, 220 V A.C., 50 Hz (International Model)
4	102-3528	1	Cover, Inner Door	11	102-3406	2	Fuse, 2 Amp, 250V, Slow-Blow (10-Pack)
5	102-3531	1	Timing Mechanism Module, 48-Station	12	102-3533	1	Output Board, 48-Station
6	1077501	1	Slide Switch	13	102-3537	1	Rear Case (Includes Items 7 And 8)
7	1077601	1	Cable Assembly				
8	102-3535	1	Cover, Power Supply				

● Not serviced separately

SitePro Field Interface Unit (FIU)



SitePro Field Interface Unit (FIU) (continued)

<i>Ref.</i>	<i>Part Number</i>	<i>Qty.</i>	<i>Description</i>	<i>Ref.</i>	<i>Part Number</i>	<i>Qty.</i>	<i>Description</i>
1		1	Housing, Snxc, Fiu ▲	23	1-7204	1	Clamp, Electric
2	102-0867	1	Fiu Bracket ●	24	4-1063	1	Screw, Tap, #6
3	102-0872	1	Front Plate, LED Display ●	25	1-3086	1	Washer, Flat, #6, Brass
4	360-0750	1	Holder, Fuse	26	2011R	1	Communication Radio Assembly, 1-Wireline
5	360-0749	1	Fuse, 1.5 Amp (10-Pack)	26	2012R	1	Communication Radio Assembly, 2-Wireline
6	102-0873	1	Rocker Switch, Power ●	27	102-3125		Radio Adaptor Board
7		1	Pcb Assy., Serial, Back Plane (See Service Items 102-0869 Through 102-0871) ▲		102-1201		Kit, Service, Cable, Sitepro, Fiu (9-Pin Male To 25-Pin Female Serial Cable) ●■
8	102-0872	1	Pcb Assy., LED ●		102-3819		Fuse, 3/4 Amp (Includes Item 13) (10-Pack) ●■
9	102-0864	2	Pcb Assembly, Standard Modem (Includes Items 11, 12 & 13) ●		102-0868		1.5 Amp Fuse Assy. (Includes 1 Each Of Items 4 & 5) ●■
10	102-0866	1	Universal Modem (Includes Item 16) ●		102-0869		Pcb Assy. (Fiu-2010), Serial Back Plane (Includes Item 7) ●■
11		2	Phone Jack Adapter, Standard Modem (See Item 9) ▲		102-0870		Pcb Assy. (Fiu-2020 And Fiu-2011), Serial Back Plane (Includes Item 7) ●■
12		2	Spacer, #6-32 X 15/16" (See Item 9) ▲		102-0871		Pcb Assy. (Fiu-2021), Serial Back Plane (Includes Item 7) ●■
13	102-3819	4	Fuse, 0.75 Amp (10-Pack) ●		102-0397		Fiu Sensor Kit ●◆■
14	102-0875	1	Cable, Fiu Power Switch ●		102-0767		Fiu Additional Surge Protection Kit ●◆■
15	102-0874	1	Wire Assy., Black ●		89-9116		Fiu Wireline Path Upgrade Kit ●◆■
16		1	Cable Assy., Universal Modem (See Item 10) ▲		89-9117		Fiu Radio-Link Accessory Kit ●◆■
17	102-0876	1	Cable Assy., 30-Pin Female Connectors ●				
18	102-0877	1	Power Cord, U.S./Canada ●				
19	102-0879	1	Power Cord, Europe ●				
20	102-0881	1	Power Cord, English ●				
21	102-0878	1	Transformer, 12V D.C., 1.5A ●				
22	102-0882	1	Transformer, Australian, 12V D.C., 1.5A ●				

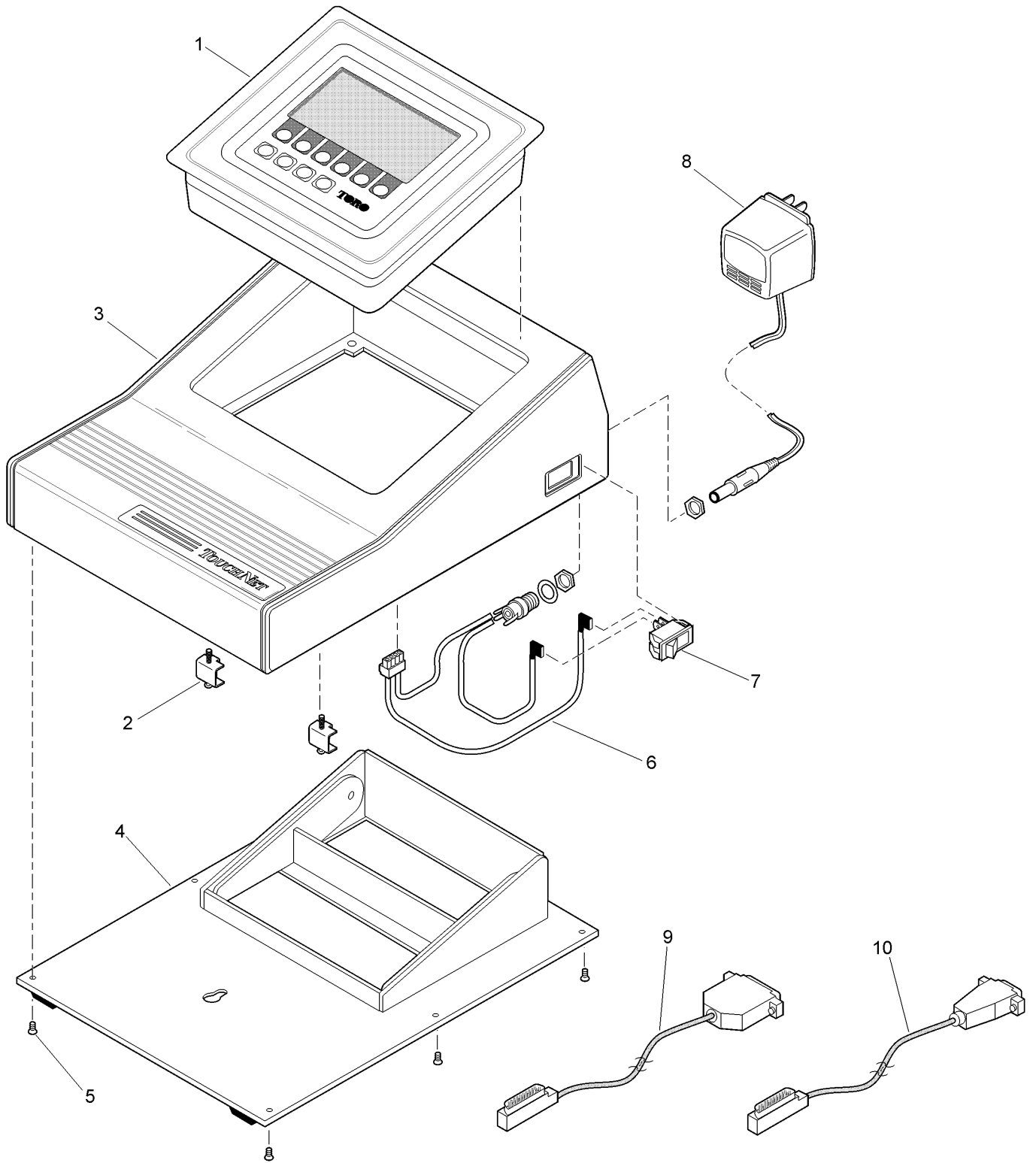
● SERVICE ITEMS

▲ Not serviced separately

◆ Order Through Finished Goods Distribution System - Minneapolis

■ Not illustrated

TouchNet For OSMAC



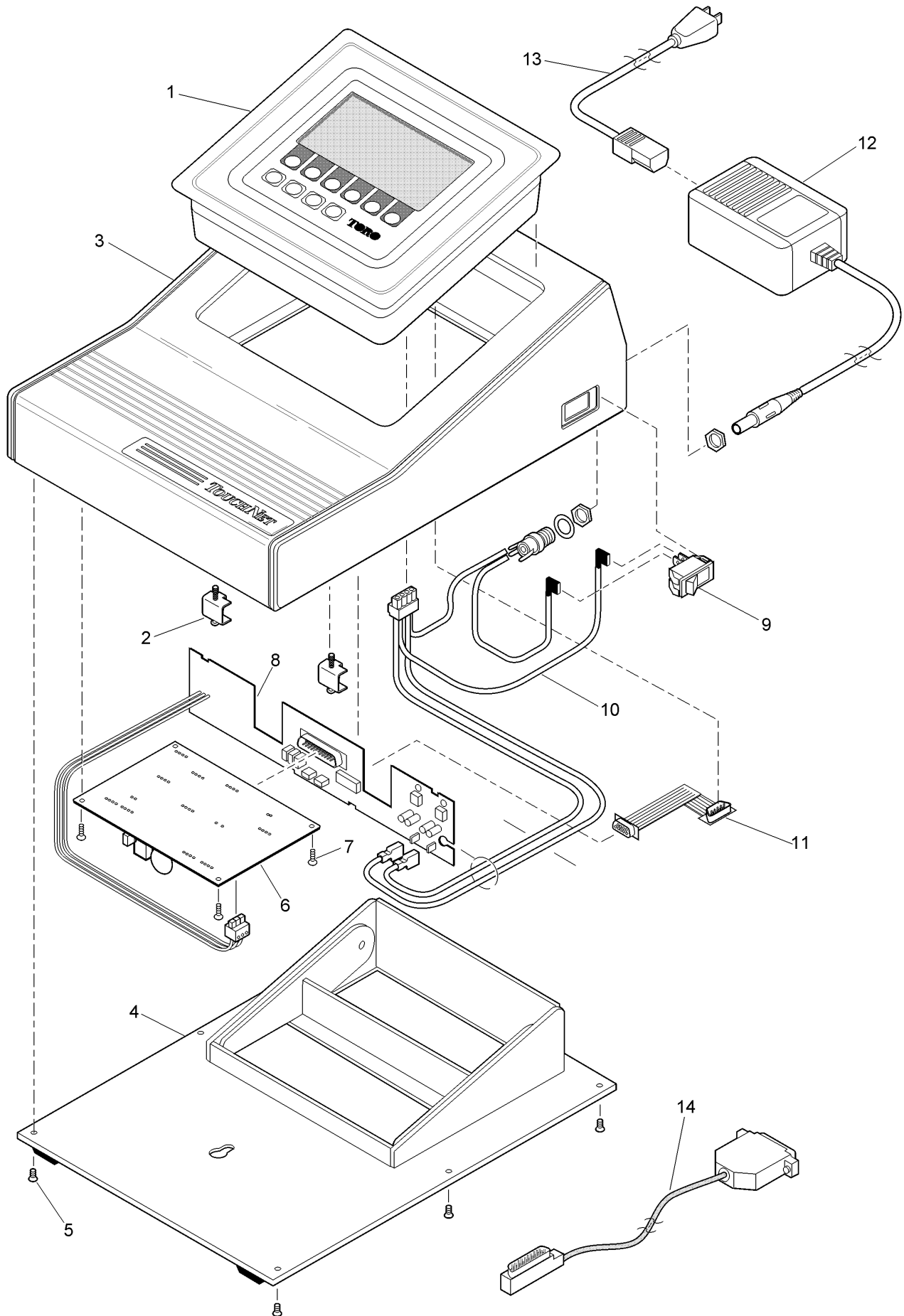
TouchNet For OSMAC (continued)

<i>Ref.</i>	<i>Part Number</i>	<i>Qty.</i>	<i>Description</i>	<i>Ref.</i>	<i>Part Number</i>	<i>Qty.</i>	<i>Description</i>
1	89-8260	1	Data Panel, Touch Net ●	9	363-3537	1	Connection Cable Assembly (Use With Motorola People Finder)
2	363-3549	6	Clamp	9	89-9065	1	Connection Cable Assembly (Use With Handheld Remote Interface)
3	89-8357	1	Housing Assembly (Includes Item 3-5)	10	102-0573	1	Connection Cable Assembly (Use With Toro Wide Or Narrow Band Base Station)
4		1	Base, Housing ■				
5		6	Screw, Housing Base ■				
6	89-8257	1	Wiring Harness Assembly				
7	363-3531	1	Switch, Rocker				
8	363-3535	1	Transformer Assembly, 120 V A.C., 60 Hz				

● Available from NSN

■ Not serviced separately

Touch Net For Network LTC Plus Satellite



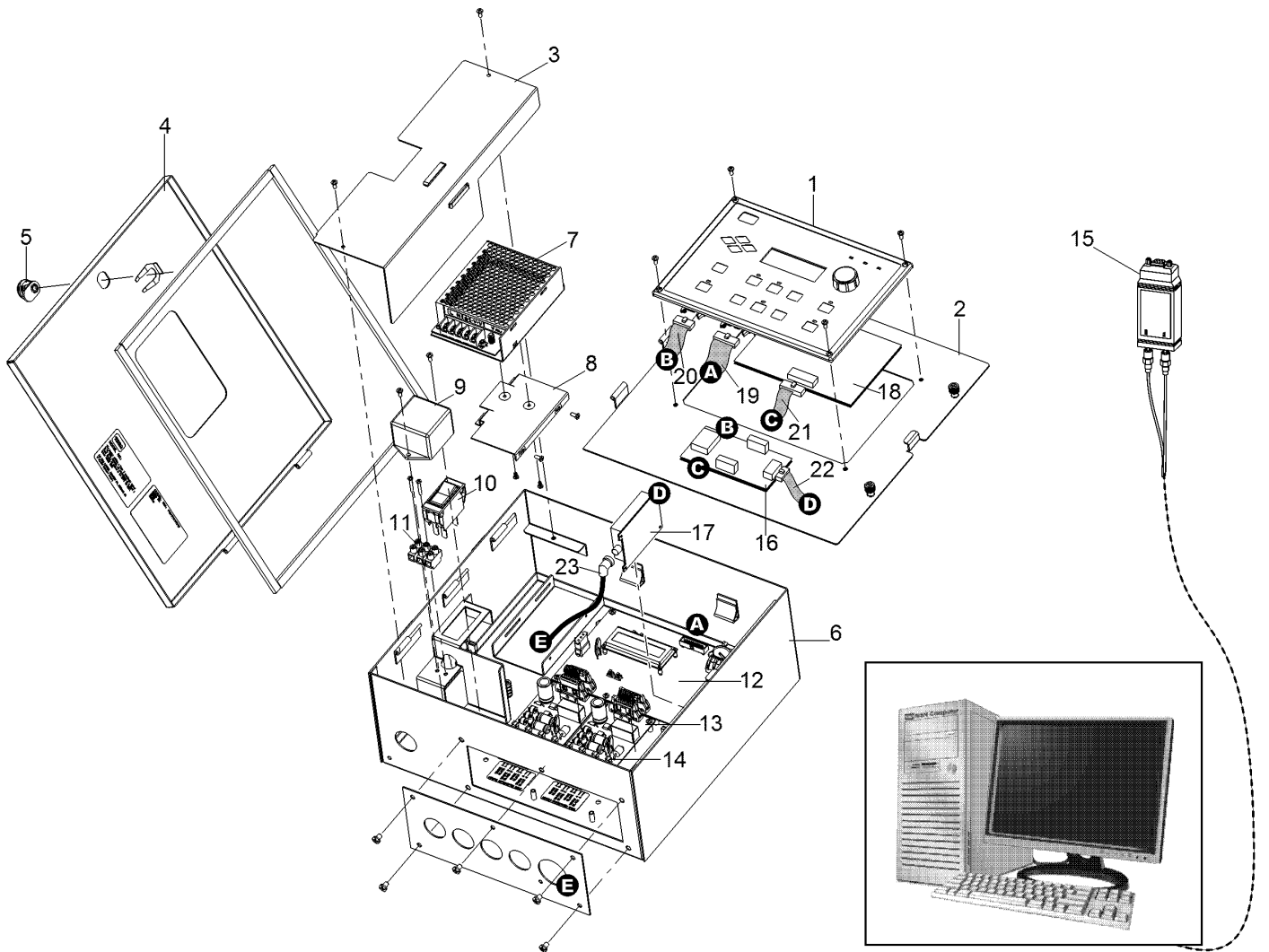
Touch Net For Network LTC Plus Satellite (continued)

<i>Ref.</i>	<i>Part Number</i>	<i>Qty.</i>	<i>Description</i>	<i>Ref.</i>	<i>Part Number</i>	<i>Qty.</i>	<i>Description</i>
1	89-8791	1	Data Panel, Touch Net ●	9	363-3531	1	Switch, Rocker
2	363-3549	6	Clamp	10		1	Wire Harness Assy. ■
3	89-8357	1	Housing Assembly (Includes Items 4 & 5)	11	89-8534	1	Ribbon Cable Assy., Interface
4		1	Base, Housing ■	12	102-0878	1	Transformer, 12V D.C., 1.5 Amp
5		6	Screw, Mach, 4-40, Flt, Csk ■	13	102-0877	1	Power Cord, U.S./Canada
6	102-0864	1	Pcb Assembly, Standard Modem	14	89-9065	1	Connection Cable Assembly (Use With Handheld Remote Interface)
7	363-1355	4	Screw, Tap, #6				
8		1	Pcb Assy., Dtp-To-Modem ■				

● Available from NSN

■ Not serviced separately

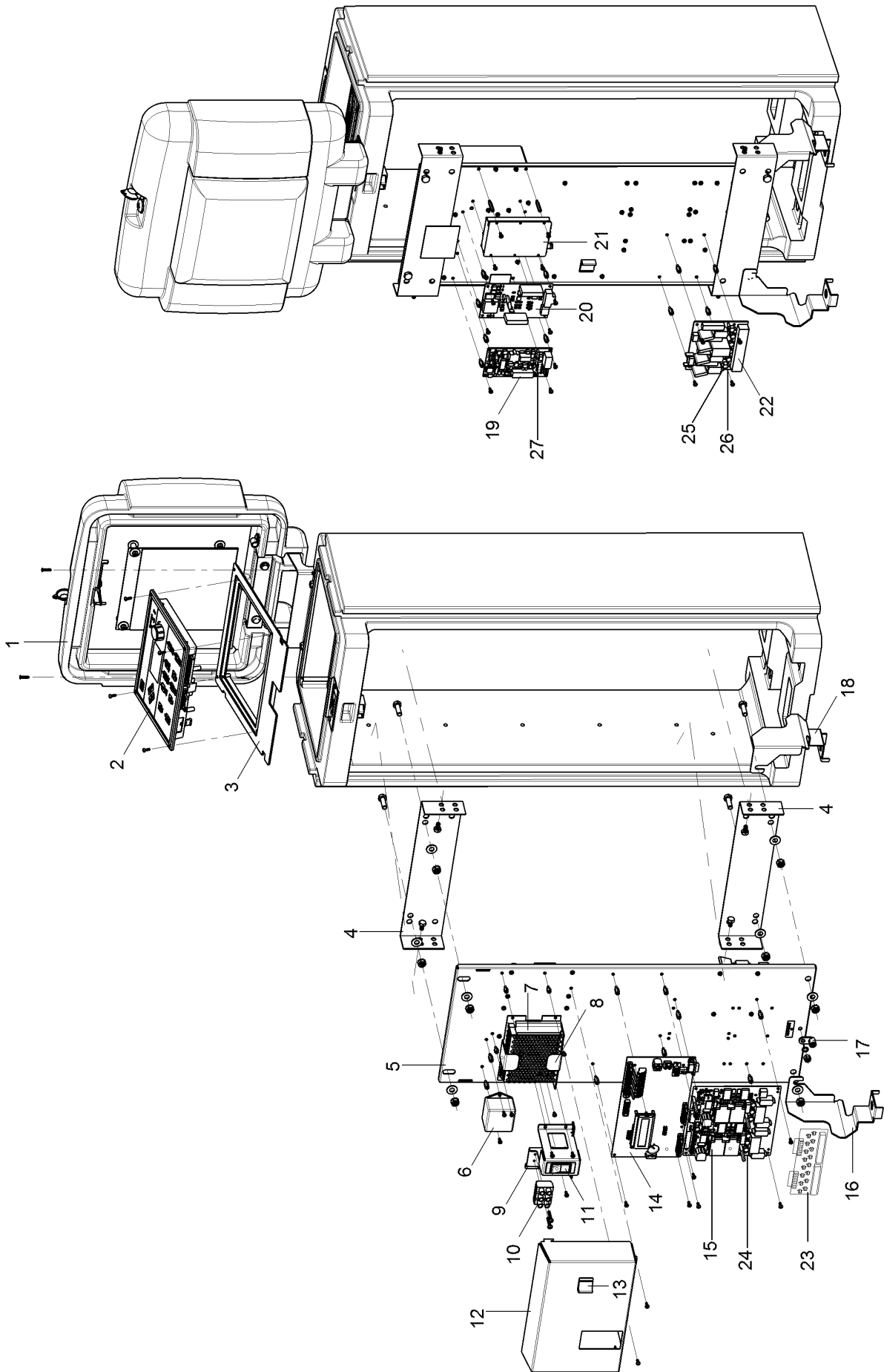
GDC - Stand-Alone, PC Models, 2-Wire Decoder Sys



GDC - Stand-Alone, PC Models, 2-Wire Decoder Sys (continued)

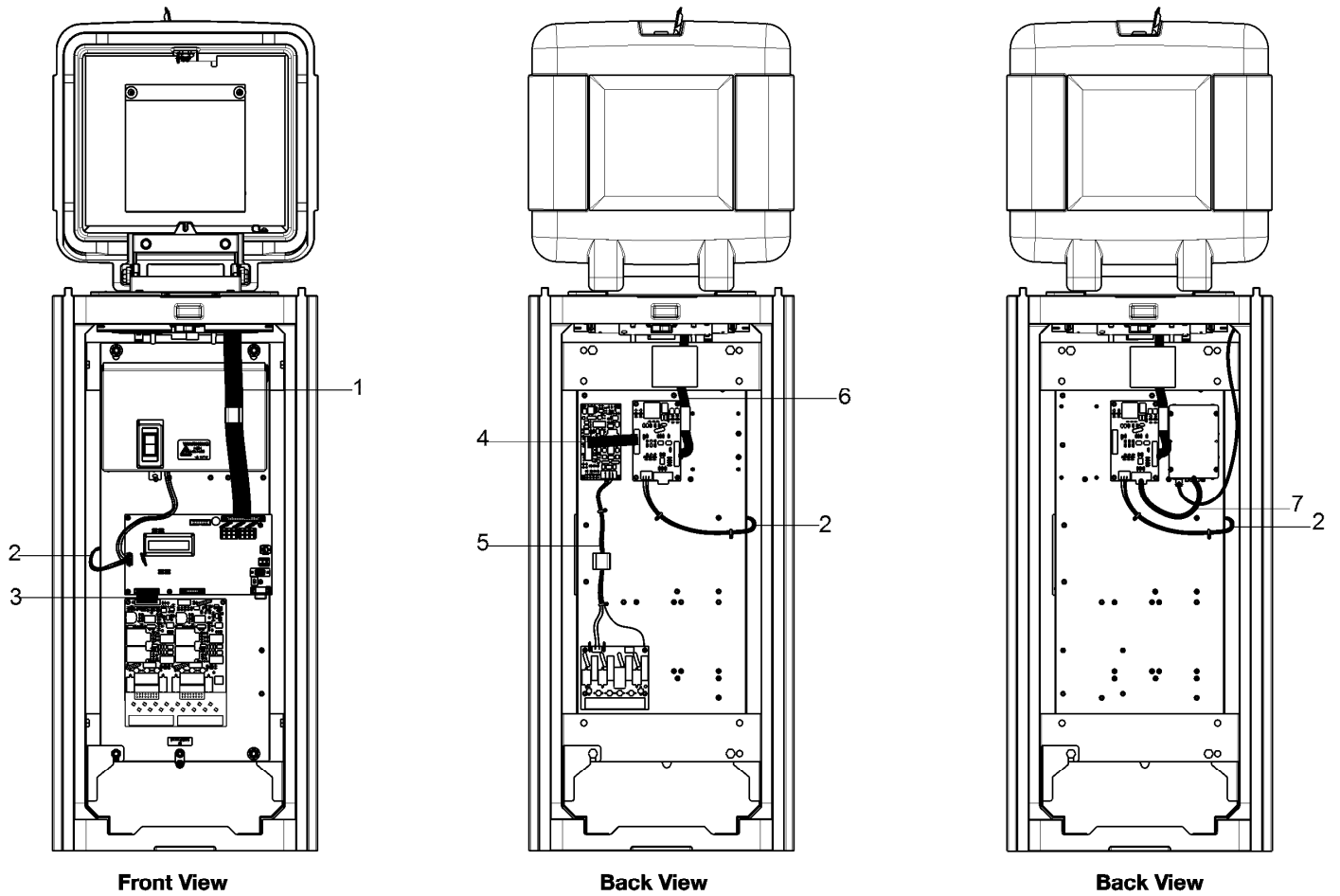
<i>Ref.</i>	<i>Part Number</i>	<i>Qty.</i>	<i>Description</i>	<i>Ref.</i>	<i>Part Number</i>	<i>Qty.</i>	<i>Description</i>
1	102-5918SK	1	Timing Mechanism Assy., Gateway (Stand-Alone)	13	118-2749SK	1	Pcb Assy., Gateway Daughterboard
1	118-4728SK	1	Timing Mechanism Assy., Gateway (Remote)	13	118-4718SK	1	Daughterboard Assembly, AC Decoder
2	102-5049	1	Panel, Gateway, Decoder (Stand-Alone Models Only)	13	118-7097SK	1	Daughterboard, Lynx Smart Hub, Oct 2020 And Later
2	118-3736	1	Panel, Gateway, Downloadable/Remote	14	363-8506	8	Fuse, 5 X 20Mm, Fast, 3.15A, 250V
3	118-0496	1	Power Supply Cover, Gateway, Decoder	14	363-1020	8	Fuse, 2A, Mini Blade, Oct 2020 And Later
4	102-5048SK	1	Door, Gateway Decoder	15	102-6461	1	Fiber Optic Converter Kit, Gateway To Central Computer
5	363-3785	1	Lock Assy. W/Keys	16	118-3101SK	1	Digital Radio Interface Board, Gateway
6	118-0880	1	Cabinet, Gateway Decoder	17	118-3442SK	1	Radio Module, Transceiver, Rv-M7-UC
7	118-0540	1	Power Supply, AC/DC, Gateway, Decoder	18	89-9026	1	Standard Modem, Svc.
8	118-0475	1	Power Supply Bracket, Upper	19	102-9176	1	Cable, 40-Pos (A To A)
9	102-9741	1	Ttf, Filter Assembly	20	118-3329	1	Cable, Int Bd To Tm (B To B)
10	363-3361	1	Switch, Circuit Breaker, 1.5A	21	118-3330	1	Cable, Int Bd To Modem (C To C)
11	102-4766SK	1	Wire Harness, Terminal Block To Switch	22	118-3103	1	Harness, Db9 (D To D)
12	118-2750SK	1	Motherboard Assembly With Tricomm, Gateway Decoder	23	118-3104	1	Cable, Bnc To Bnc, Radio (E To E)
12	118-4717SK	1	Motherboard Assembly, Gateway, AC Decoder				
12	118-7096SK	1	Motherboard, Lynx Smart Hub, Oct 2020 And Later				

Lynx Smart Hub Parts Breakout



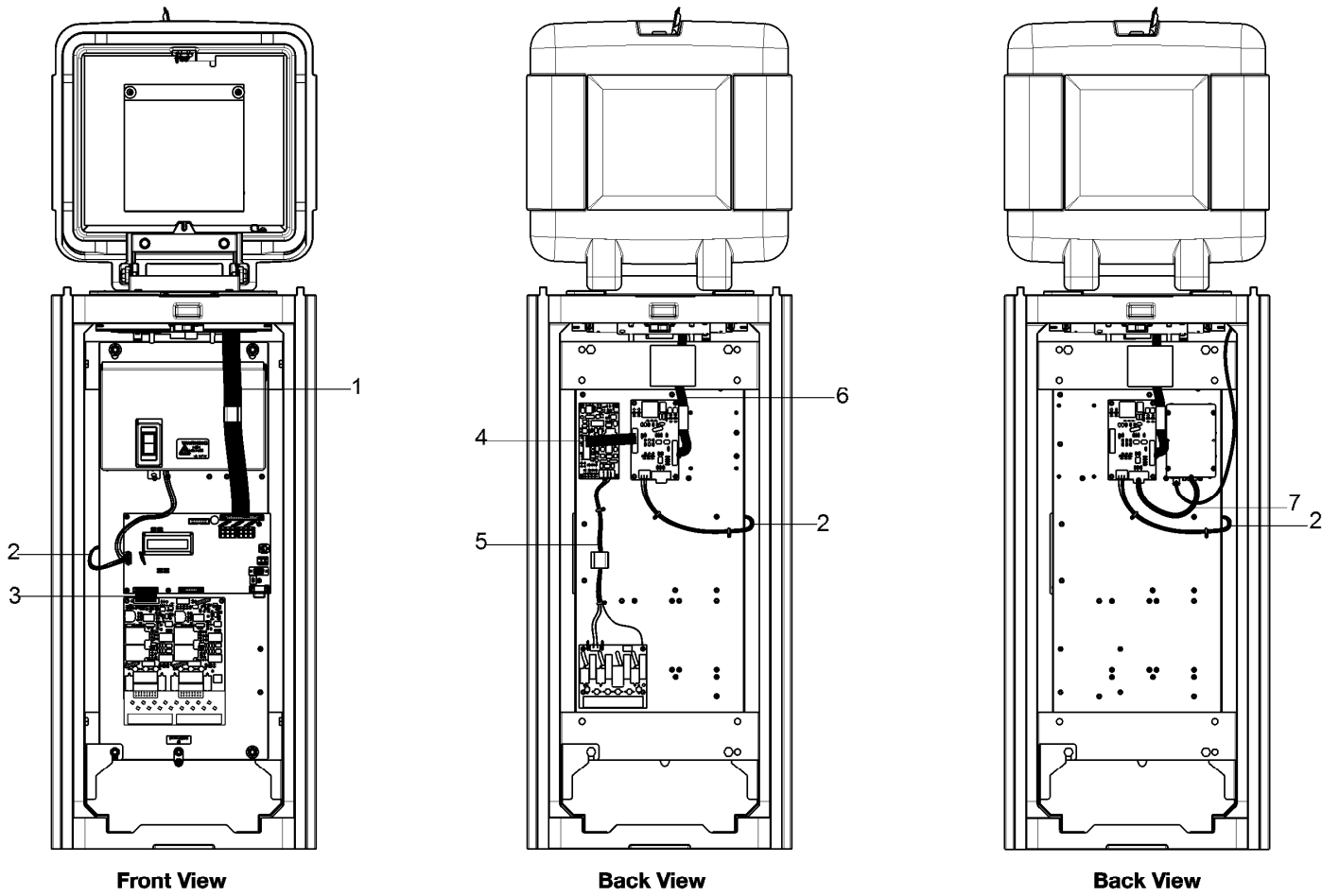
Lynx Smart Hub Parts Breakout (continued)

<i>Ref.</i>	<i>Part Number</i>	<i>Qty.</i>	<i>Description</i>	<i>Ref.</i>	<i>Part Number</i>	<i>Qty.</i>	<i>Description</i>
1	118-0828	1	Plastic Pedestal, Short, Green, Assembly	14	118-7096SK	1	Motherboard, Lynx Smart Hub, Oct 2020 And Later
1	118-0829	1	Plastic Pedestal, Short, Tree Bark, Assembly	15	118-4718SK	1	Daughterboard Assembly, AC Decoder
1	118-0830	1	Plastic Pedestal, Short, Desert Sand, Assembly	15	118-2749SK	2	Daughterboard Assembly, DC Decoder
2	118-4728SK	1	Timing Mechanism Assy., Gateway (Remote)	15	118-7097SK	1	Daughterboard, Lynx Smart Hub, Oct 2020 And Later
3	103-5373	1	Plate, Face, Tm W/ Radio	16	102-3073	1	Foot Support Bracket
4	118-1015	2	Bracket	17	363-8639	1	Ground Lug
5	118-4624	1	Backplate, Pedestal, Gateway	18	102-3072	1	Foot Mount Bracket
6	102-9741	1	Ttf, Filter Assembly	19	118-3705SK	1	Modem, Wireline, Pcb
7	118-0540	1	Power Supply, AC/DC, Gateway, Decoder	20	118-3101SK	1	Radio Interface Board, Raveon, Pcb
8	118-5209	1	Mounting Plate, Power Supply	21	118-3442SK	1	Radio Module, Transceiver, Rv-M7-UC
9	118-4622	1	Mount, Switch, Pedestal	22	102-8086SK	1	Pcb Assy. Surge Board
10	363-3981	1	Terminal Block, 3-Position, 6 Awg	23	118-7187	1	Surge Output Board, DC Decoder
11	363-3361	1	Switch, Circuit Breaker, 1.5A	24	363-8506	8	Fuse, 5 X 20Mm, Fast, 3.15A, 250V, DC Daughterboard
12	118-4623	1	Cover, Power Supply, Pedestal	25	363-8337	3	Fuse, 3Ag, 0.5A, 250V
13	363-2321	2	Clamp, Cable Flat	26	363-8336	1	Fuse, 3Ag, 8.0A, 250V
14	118-2750SK	1	Motherboard Assembly With Tricomm, Gateway Decoder	27	363-3943	2	Fuse, Auto, 1.0A, 250V
14	118-4717SK	1	Motherboard Assembly, Gateway, AC Decoder				



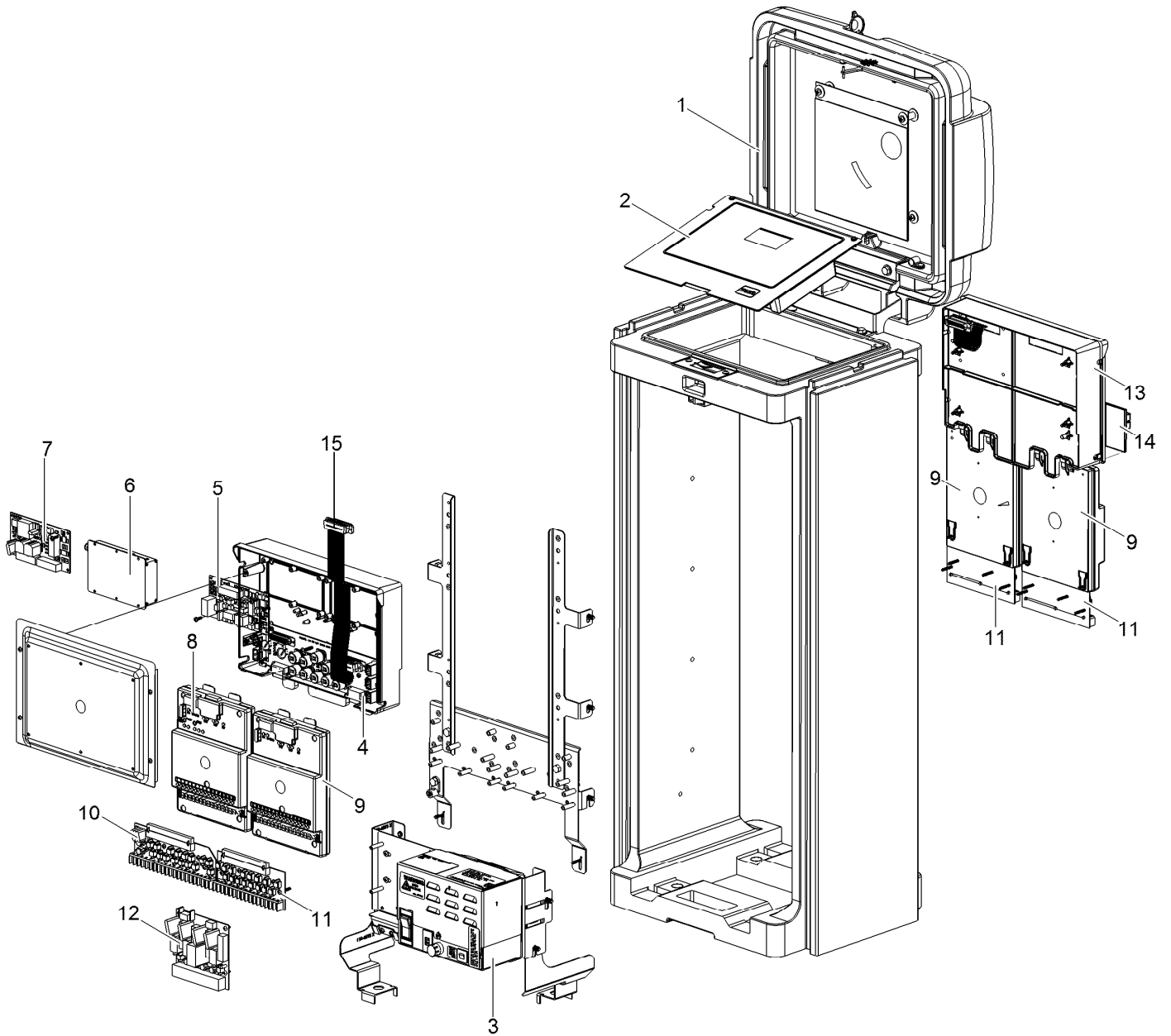
Lynx Smart Hub - Wires

<i>Ref.</i>	<i>Part Number</i>	<i>Qty.</i>	<i>Description</i>
1	118-4668	1	40 Position Connector, 30 Cond, Pedestal, Gateway
2	118-4667	1	Power Supply Harness, Pedestal, Gateway
3	102-4598	2	Ribbon Cable, 16 Cond, F/F
3	118-5804	1	Ribbon Cable, 20 Cond., F/F, Lynx Smart Hub, Oct 2020 And Later
4	118-4669	1	Interface Board To Modem Cable Assy., Pedestal, Gateway
5	118-4697	1	Wireline Cable Assy., Pedestal, Gateway
6	118-4670	1	Interface Board To Tm Cable Assy., Pedestal, Gateway
7	118-4671	1	Db9 Harness, Radio, Pedestal, Gateway



Lynx Smart Hub - Wires (continued)

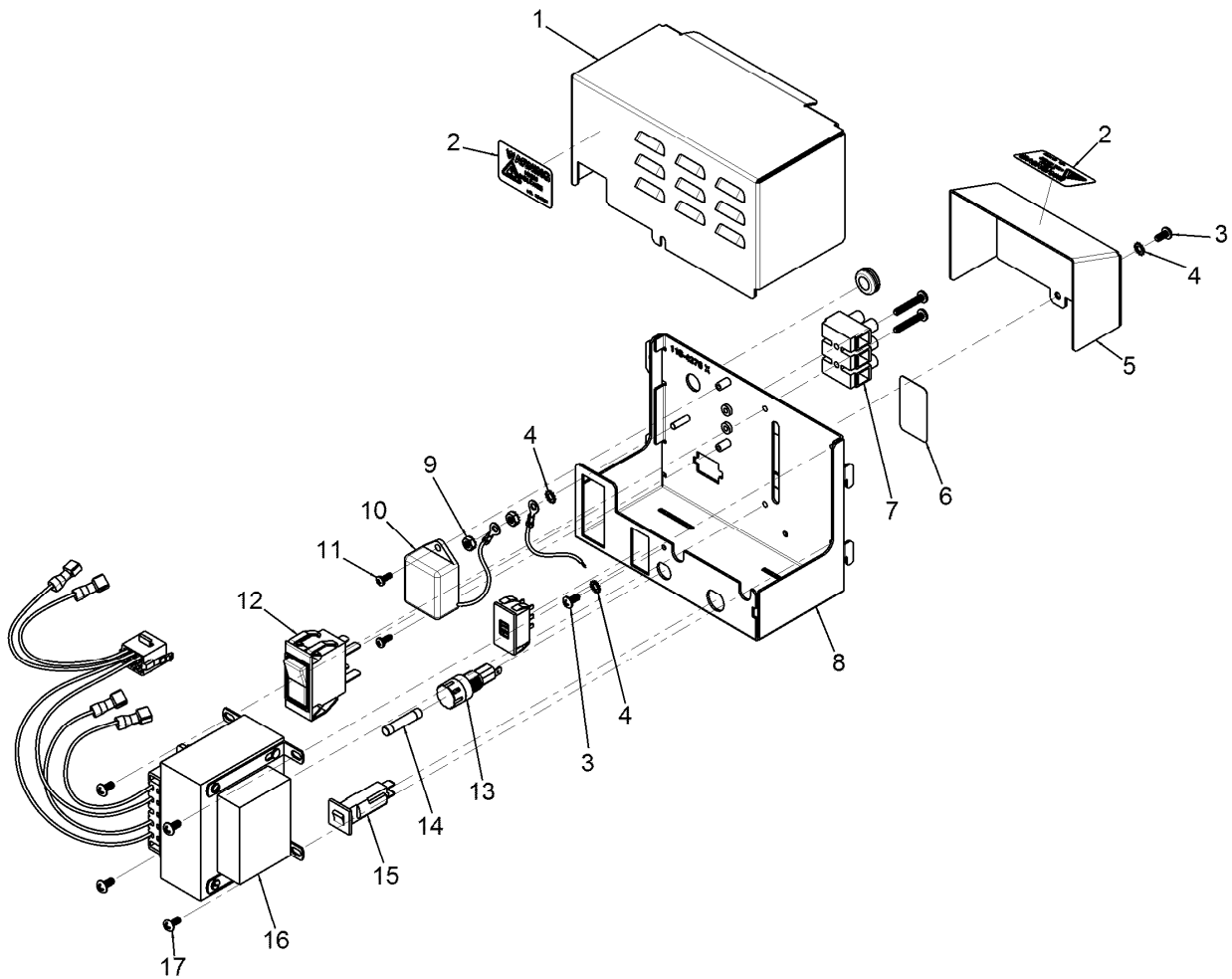
Lynx Smart Satellite



Lynx Smart Satellite (continued)

<i>Ref.</i>	<i>Part Number</i>	<i>Qty.</i>	<i>Description</i>	<i>Ref.</i>	<i>Part Number</i>	<i>Qty.</i>	<i>Description</i>
1	118-0828	1	Plastic Pedestal, Short, Green, Assembly		118-4174	1	Cable, Radio Interface To Radio ●
1	118-0829	1	Plastic Pedestal, Short, Tree Bark, Assembly		118-7177	1	Cable, Radio Interface To Power Board ●
1	118-0830	1	Plastic Pedestal, Short, Desert Sand, Assembly	8	118-6369SK	1	Pump/Com/Output Module
2	118-6363SK	1	Timing Module, Lynx Smart Satellite	9	118-6370SK	3	Output Module Assembly
3	118-6366SK	1	Power Supply Assembly (See Power Supply Section For Individual Component Listing)	10	118-6035SK	1	Output/Pump Surge Assembly, Level 3
4	118-3045SK	1	Distribution Board Assembly (Front Panel)	10	118-6034SK	1	Output/Pump Surge Assembly, Level 4
5	118-3705SK	1	Modem, Wireline, Pcb, Includes Item 118-7176 (Central Controlled Models Only)	11	118-6032SK	3	Output Surge Assembly, Level 3
	118-7176	1	Cable, Modem To Tm ●	11	118-3047SK	3	Output Surge Assembly, Level 4
6	118-6133SK	1	Radio Module, Transceiver (Radio Models Only)	12	118-4680SK	1	Surge Assembly, Level 3
7	118-3339SK	1	Radio Interface Assembly, Include Items 118-4173, 118-4174 And 118-7177 (Radio Models Only)	12	118-1524SK	1	Surge Assembly, Level 4
	118-4173	1	Cable, Radio Interface To Tm ●	13	118-4438SK	1	Distribution Panel Assembly, Backside, Includes Item 118-4175
					118-4175	1	Cable, Front-To-Back, Distribution Board ●
				14	118-3128SK	1	Distribution Board, Backside
				15	118-4172	1	Cable, Tm To Power Board
					118-4440SK	1	Smart Satellite Radio Kit (Includes Antenna And Items 6 & 7) ●

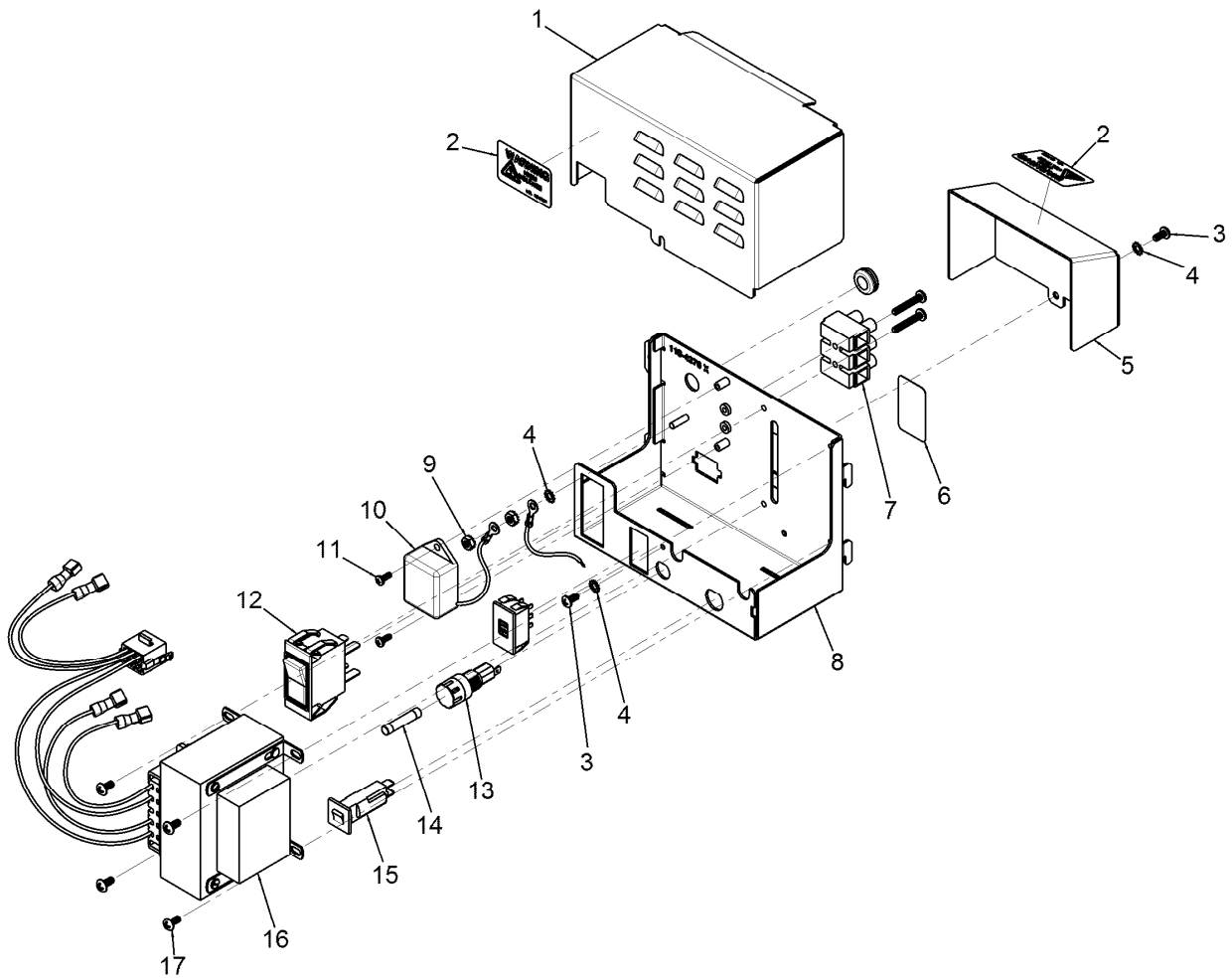
● Not illustrated



Lynx Smart Satellite - Power Supply

Ref.	Part Number	Qty.	Description
1	118-4269	1	Cover, Power Supply Housing
2	89-0722	2	Label, Warning
3	360-0498	2	Screw, Machine, 8-32 X 1/4
4	363-6505	3	Lock Washer, #8, Steel
5	118-4268	1	Cover, Power Supply Terminal
6	89-7325	1	Label, Terminal Block
7	363-3981	1	Terminal Block, 3-Position, 6 Awg
8	118-4270	1	Bottom, Power Supply Housing
9	363-1483	2	Nut-Hex, K Lock
10	118-0538SK	1	Toro Transient Filter, Ttf
11	363-8690	2	Scr,Mch,6-32X3/8,Phph,Stl,Rohs
12	363-3361	1	Switch, Circuit Breaker, 1.5A
13	360-0750	1	Holder, Fuse
14	363-2497	1	Fuse, 3.2 Amp
15	363-5270	1	Circuit Breaker, 4.0A
16	102-0409	1	Transformer Assembly
17	3-1453	4	Screw, Machine, 10-32 X 3/8, Phph, SS
	102-0645	1	Power Supply Assy. ●

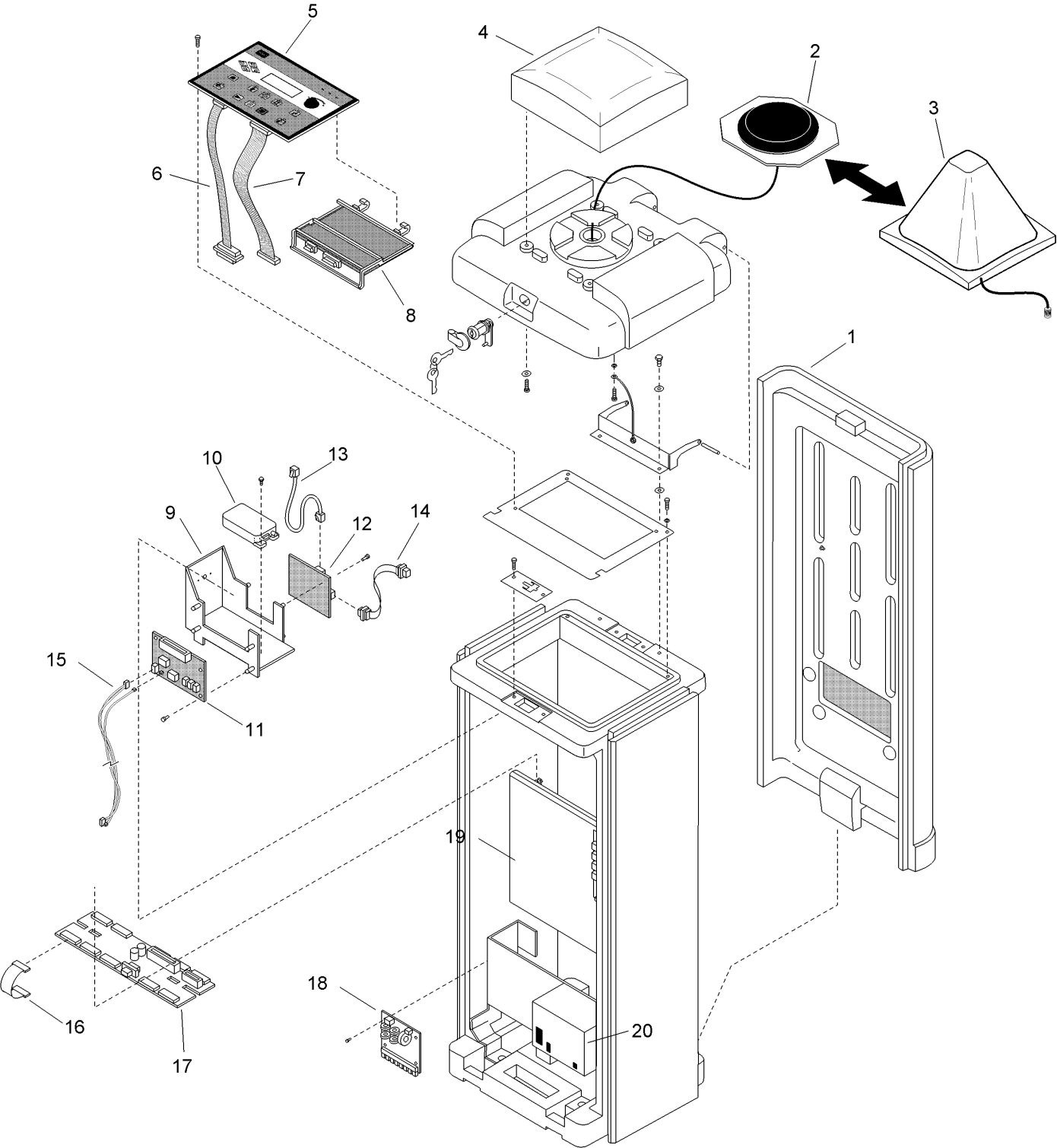
● Not illustrated



Lynx Smart Satellite - Power Supply (continued)

● Not illustrated

Network VP and VPE - Plastic Cabinet



Network VP and VPE - Plastic Cabinet (continued)

<i>Ref.</i>	<i>Part Number</i>	<i>Qty.</i>	<i>Description</i>	<i>Ref.</i>	<i>Part Number</i>	<i>Qty.</i>	<i>Description</i>
1		1	Satellite Plastic Pedestal & Components (See Plastic Cabinet Components Section) ◆	12	102-3125SK	1	Radio Interface Board ○ ▲
2		1	Antenna Assy., Plastic Pedestal (See Service Item 102-6808) ◆	13	363-3619SK	1	Rj-45 Cable Assy. ○ ▲
3		1	Dome Antenna Assy., Plastic Pedestal ◆	14	102-3257SK	1	Db-9 Cable Assy. ○ ▲
4		1	Cover, Satellite Lid (See Plastic Cabinet Components Section) ◆	15			Cable Assy., Modem To Surge Board ◆ ▲
5	102-3497SK	1	Timing Mechanism (Tm), Vp Satellite	16	102-0670		Ribbon Cable, Distribution To Output, 4" Length □
5	102-9738SK	1	Timing Mechanism, Vpe Satellite	17	102-2782SK	1	Distribution Board
6	102-4573SK	1	Cable Assy., Tm To Modem	17	102-9124SK	1	Ltc+ To Vp Conversion Kit
7	102-3030SK	1	Cable Assy., Tm To Distribution, 12"	18	102-8086SK	1	Pcb Assy. Surge Board □
8	89-9026	1	Standard Modem, Svc.	19			Vp And Vpe Internal Components (See Vp And Vpe Internal Components Section) ◆
9		1	Bracket, Radio Assy. ◆ ▲	20		1	Power Supply Assy. (See Power Supply Assy. Section) ◆
10	363-4638SK	1	Maxon Radio ▲		363-4185SK		Battery, Vp Back-Up, Service ● ■
11	89-7701	1	Modem Assy., Universal, Service ○ ▲		89-9044		Cable Assy. Svc., Surge To Modem & Surge To Terminal Block ● ■
					102-6808		Kit, Service, Antenna Assy., Plastic Pedestal ● ■

● SERVICE ITEMS

▲ UHF Models Only

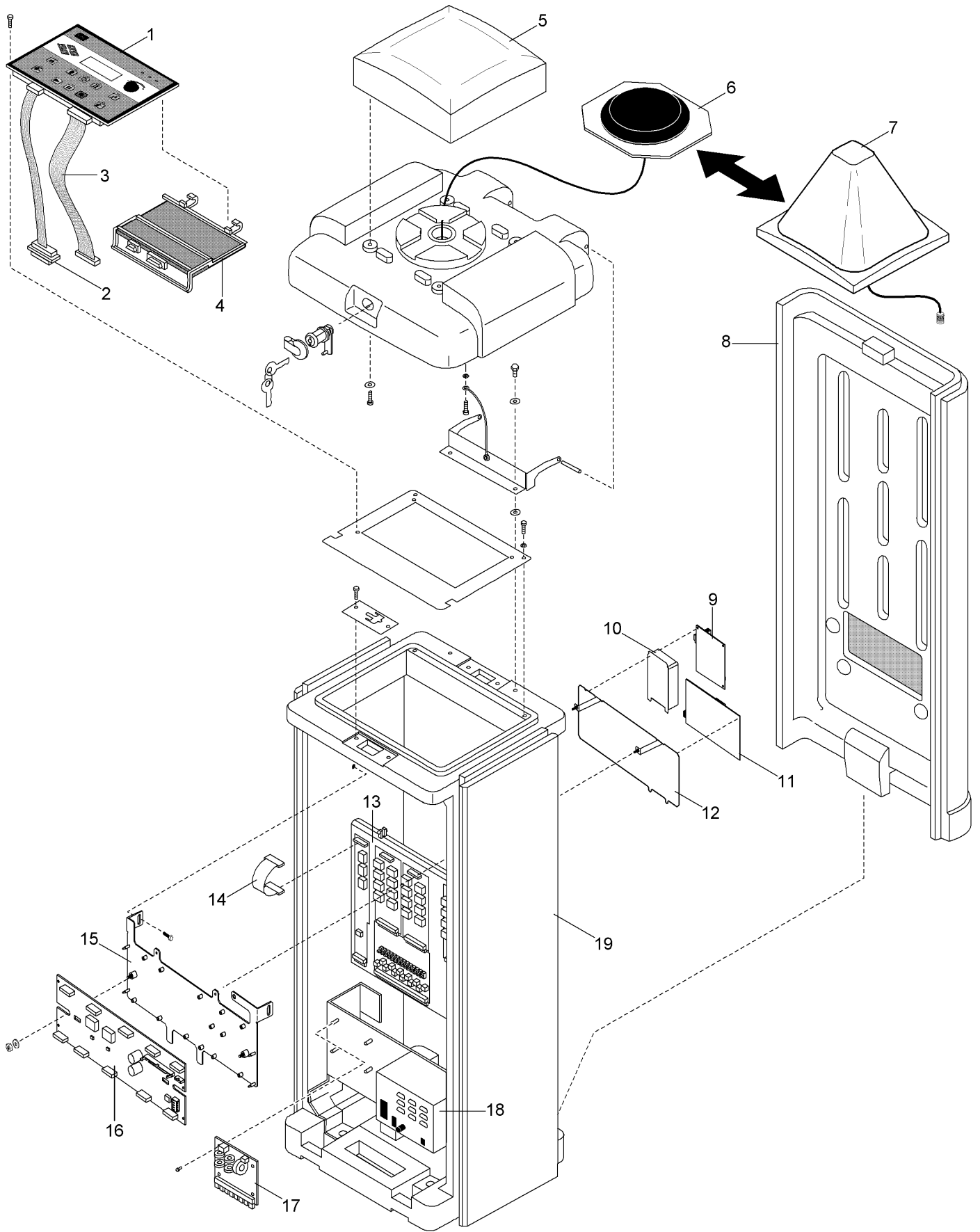
□ Quantity Varies With Model

○ Order Through Finished Goods Distribution System - Minneapolis

■ Not illustrated

◆ Not serviced separately

Network VP and VPe - 2013 and Later

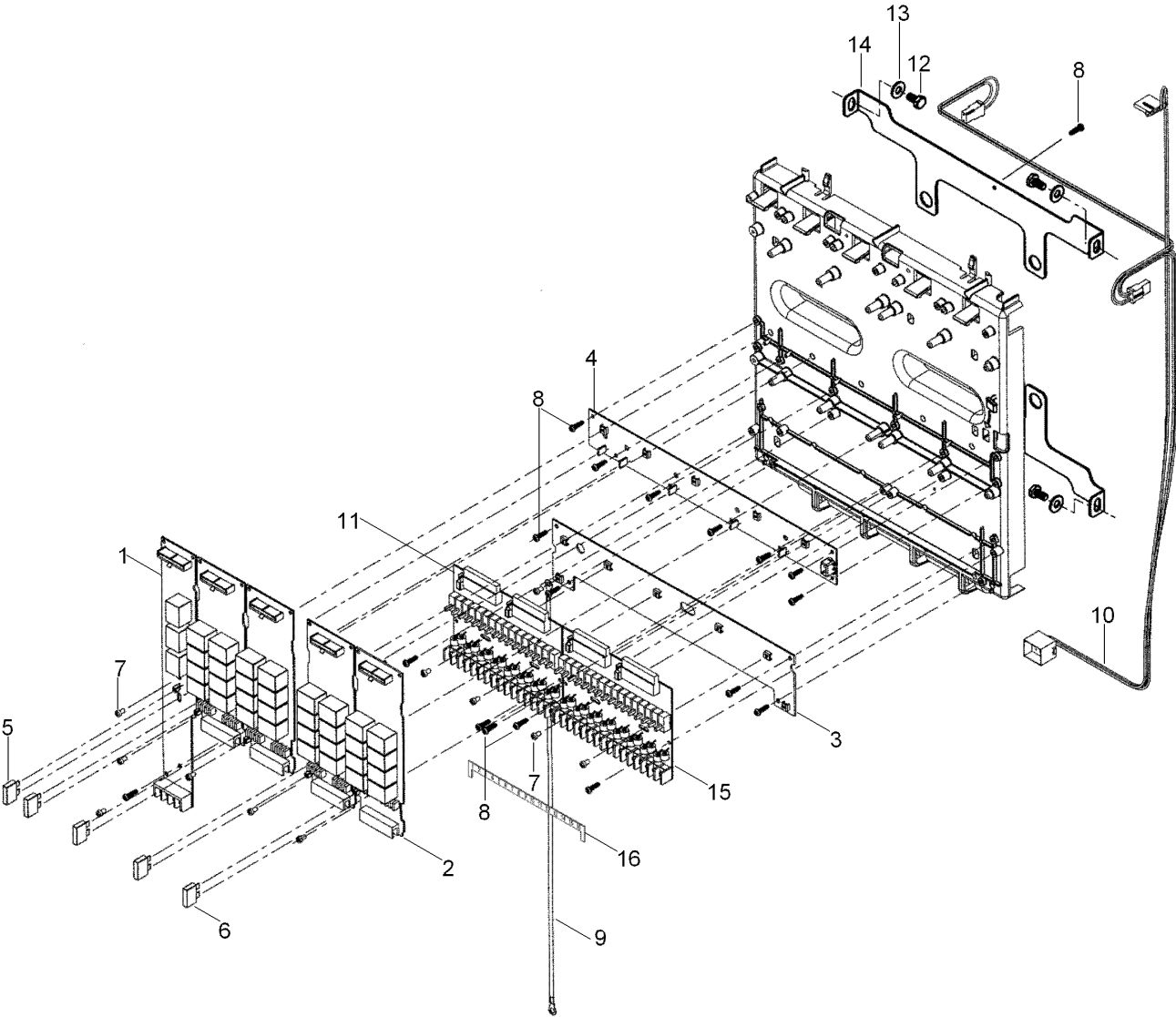


Network VP and VPe - 2013 and Later (continued)

<i>Ref.</i>	<i>Part Number</i>	<i>Qty.</i>	<i>Description</i>	<i>Ref.</i>	<i>Part Number</i>	<i>Qty.</i>	<i>Description</i>
1	102-3497SK	1	Timing Mechanism (Tm), Vp Satellite	12	118-1938SK	1	Bracket, Radio, Vertical
2	102-4573SK	1	Cable Assy., Tm To Modem	13		1	Vp Internal Components (See Vp Internal Components Section) ●
3	102-3030SK	1	Cable Assy., Tm To Distribution, 12"	14	102-0670	5	Ribbon Cable, Distribution To Output, 4" Length
4	89-9026	1	Standard Modem, Svc.	14	118-2736	5	Ribbon Cable, Distribution To Output, 12" Length
4	364-1003	1	Cable Assy., Tm To Distribution, 18"	15	118-1937SK	1	Bracket, Power Distribution Board, Vertical
5		1	Cover, Satellite Lid (See Golf Controller Plastic Pedestal Cabinet Components Section) ●	16	118-2737SK	1	Power Distribution Board, Straight Connectors
6	102-6808	1	Kit, Service, Antenna Assy., Plastic Pedestal	17	102-8086SK	1	Pcb Assy. Surge Board
7		1	Dome Antenna Assy., Plastic Pedestal ●	18		1	Power Supply Assy. (See Power Supply Assembly Section) ●
8		1	Satellite Plastic Pedestal & Components (See Golf Controller, Plastic Pedestal Cabinet Components Section) ●	19		1	Satellite Plastic Pedestal & Components (See Golf Controller, Plastic Pedestal Cabinet Components Section) ●
9	102-3125SK	1	Radio Interface Board				
10	363-4638SK	1	Maxon Radio				
11	89-7701	1	Modem Assy., Universal, Service				

● Not serviced separately

Network VP and VPE - Internal Components



Network VP and VPE - Internal Components (continued)

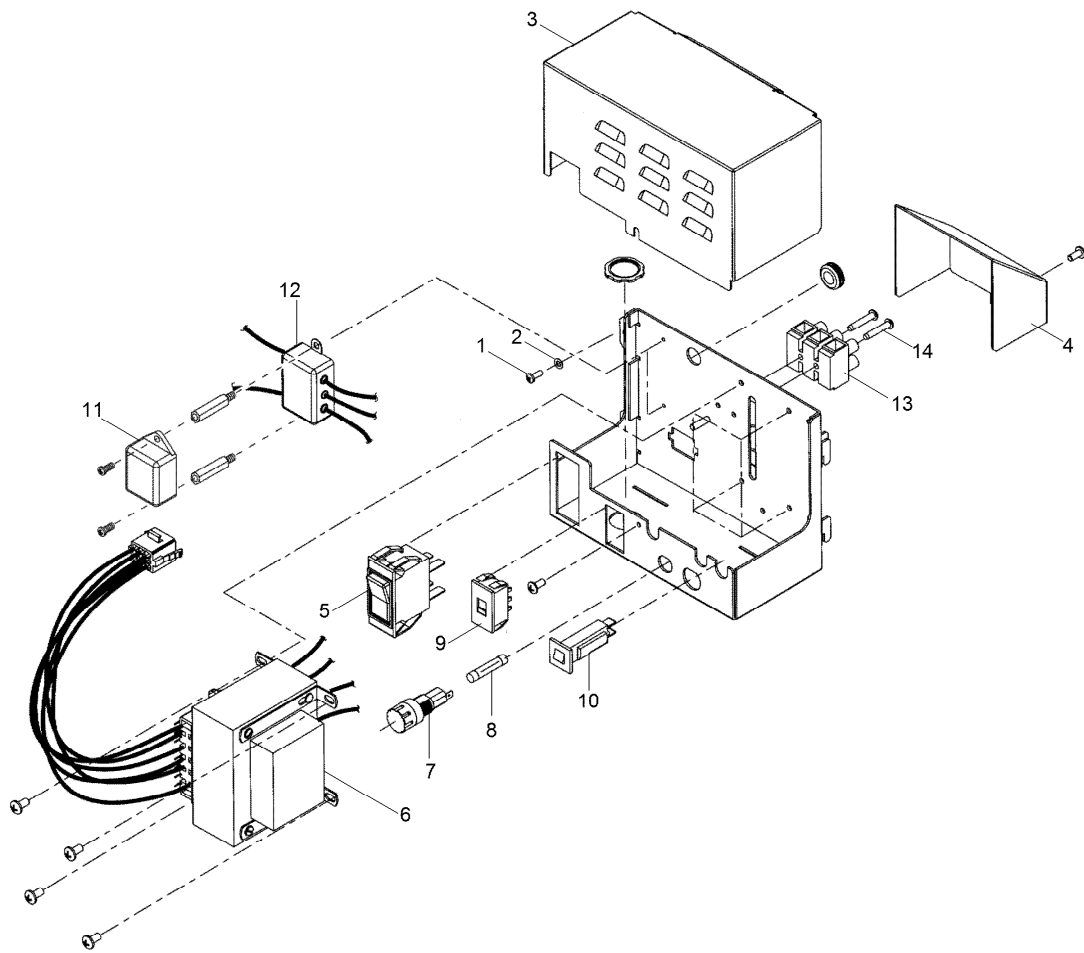
<i>Ref.</i>	<i>Part Number</i>	<i>Qty.</i>	<i>Description</i>	<i>Ref.</i>	<i>Part Number</i>	<i>Qty.</i>	<i>Description</i>
1	102-3015SK	1	Pump/Common Module Assy. (Includes Items 5, 7 And 102-0670 Ribbon Cable)	11	102-0639		16-Station Module Assy. (M1 Surge Upgrade) (Includes Items 7 And 8) ▲ ◆
2	102-0654		Output Module Assy., 8-Station (Includes Items 6, 7 And 102-0670 Ribbon Cable) ▲ ◆	11	102-0640		16-Station Module Assy. (M2 Surge Upgrade) (Includes Items 7 And 8) ▲ ◆
3	102-0652	1	Ground Bus Bar Pcb Assy., Service (Includes Item 8)	11	102-0641		16-Station Module Assy. (M3 Surge Upgrade) (Includes Items 7 And 8) ▲ ◆
4	102-0653	1	24 Vac Bus Bar Pcb Assy., Service (Includes Item 8)	11	102-0642		16-Station Module Assy. (M4 Surge Upgrade) (Includes Items 7 And 8) ▲ ◆
5	102-0658	1	Fuse, 1.0 Amp, Fast-Blow, Service (5-Pack)	12	360-0595	4	Screw, Machine, 1/4-20 X 1/2"
6	102-0657	4	Fuse, 3.0 Amp, Fast-Blow, Service (5-Pack)	13	360-0140	4	Washer-Flat
7	102-0671	11	Screw, Machine, 6-32 X 1/4"	14		2	Bracket, Mount Backplate ■
8	363-1355	20	Screw, Tap, #6	15	102-4586		Plastic Cover, Switches ▲
9	102-0685	1	Wire Harness Assy., Grounding	16	102-5940SK		Kit, Station Labels, Numbered, Plastic ▲
10	102-0686	1	Wire Harness Assy., Power Supply				
N/I	102-0638		8-Station Terminal Block (M0 Surge Level) ▲ ◆ ●				

● Not illustrated

▲ Quantity Varies With Model

◆ Order Through Finished Goods Distribution System - Minneapolis

■ Not serviced separately

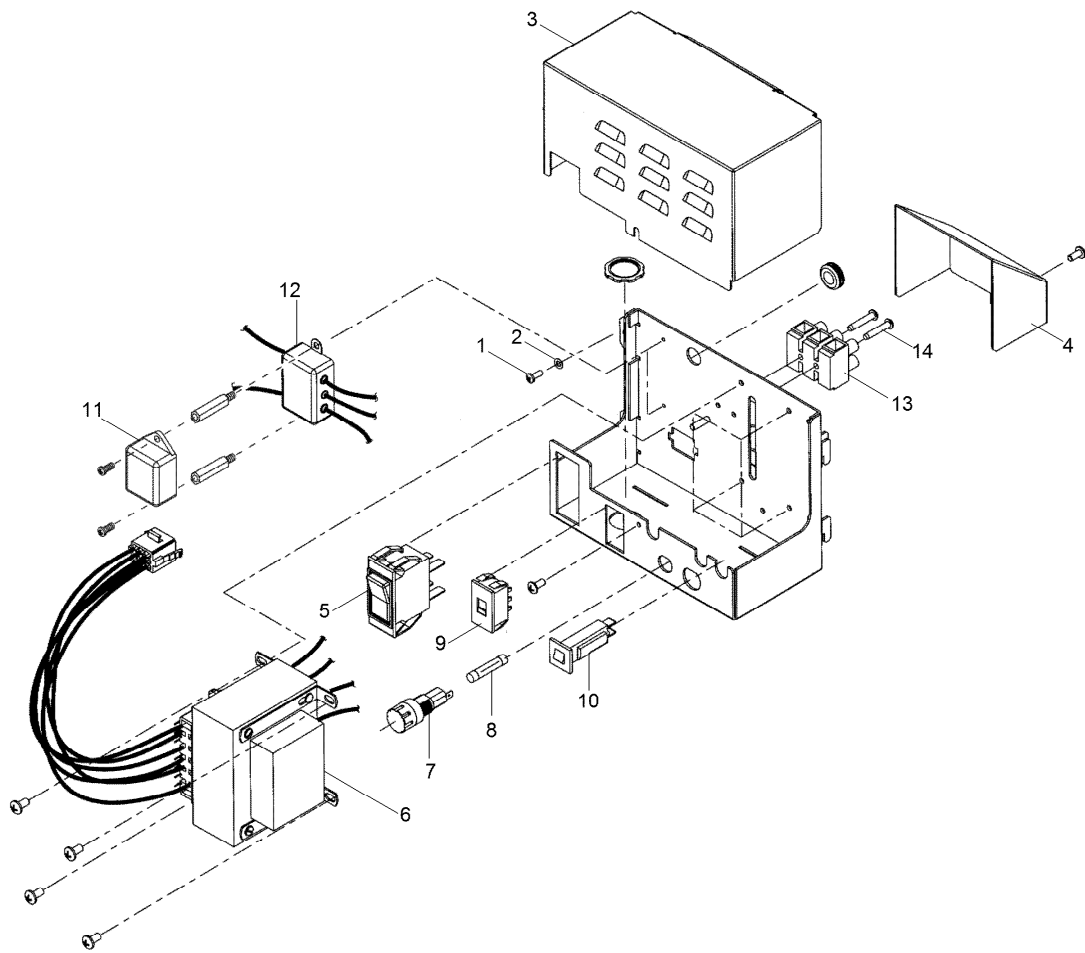


Network VP and VPE - Power Supply

Ref.	Part Number	Qty.	Description
1	4-1063	2	Screw, Tap, #6
2		2	Washer, Lock, #6 ♦
3	102-0646	1	Cover, Power Supply
4	102-0695	1	Cover, Wire Terminal
5	102-0666	1	On/Off Switch
6	102-0382	1	Transformer Assy., Service ●
6	102-3759	1	Transformer Assy., Service (For Japanese Models Only) ●
7	102-0649	1	Fuse Holder W/Cap
8	102-0650	1	Fuse, 3.2 Amp, Slow-Blow (10-Pack) ●
9	102-0648	1	Slide Switch 115/230V
10	102-0651	1	Circuit Breaker, 4.0 Amp
11	118-0538SK	1	Toro Transient Filter, Ttf
12	102-0700	1	Filter Assy., Rfi
13	102-0667	1	Terminal Block, 115/230V (Includes Item 14) ▲
14	360-0297	2	Screw, #6 X 3/4"
	102-0645	1	Power Supply Assembly (Includes Items 1-14) ■

● SERVICE ITEMS
▲ (Includes Item 14)

■ Not illustrated
♦ Not serviced separately

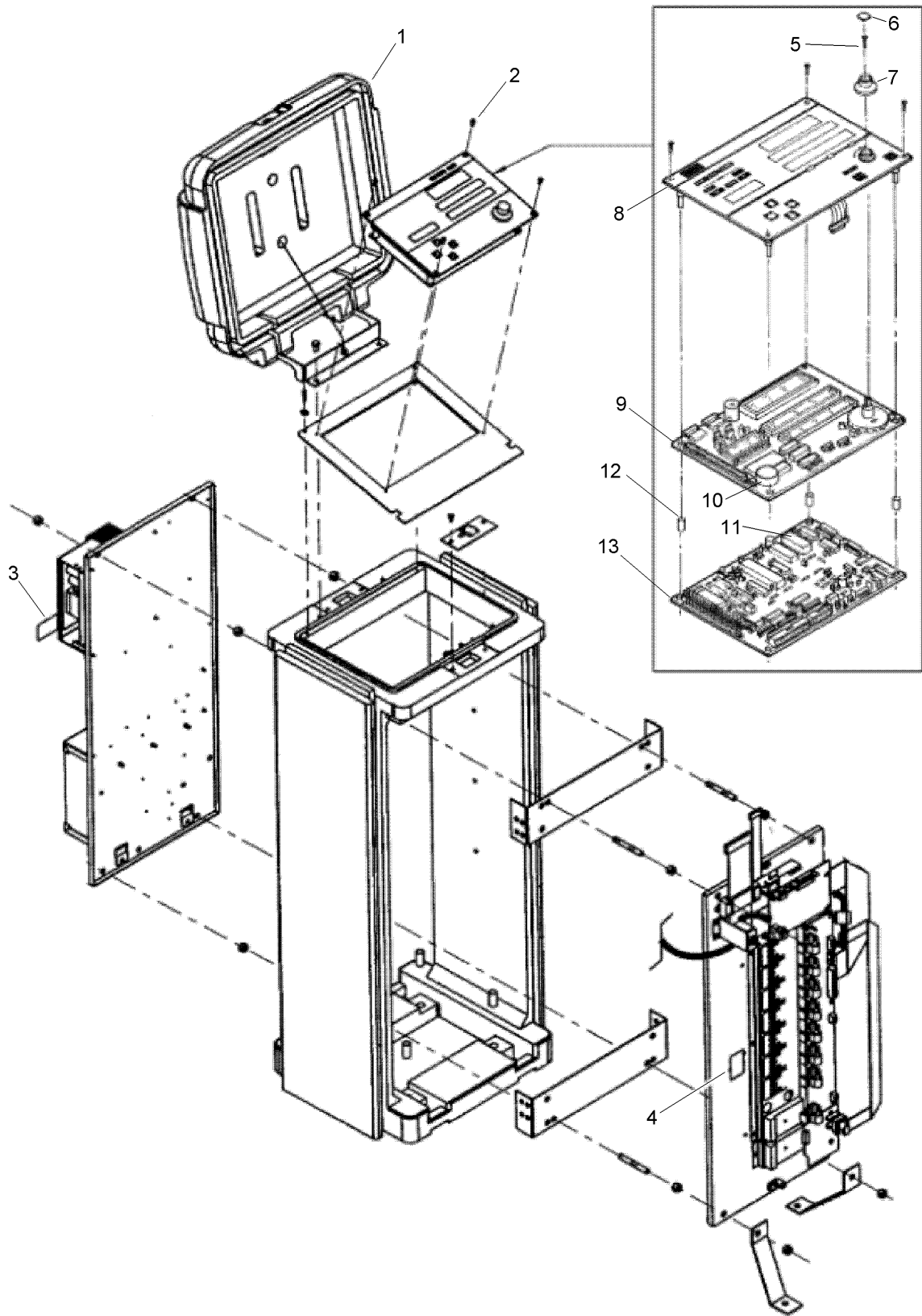


Network VP and VPE - Power Supply (continued)

● SERVICE ITEMS
 ▲ (Includes Item 14)

■ Not illustrated
 ◆ Not serviced separately

Network 8000 Sat., Plastic Cabinet, Int. Components



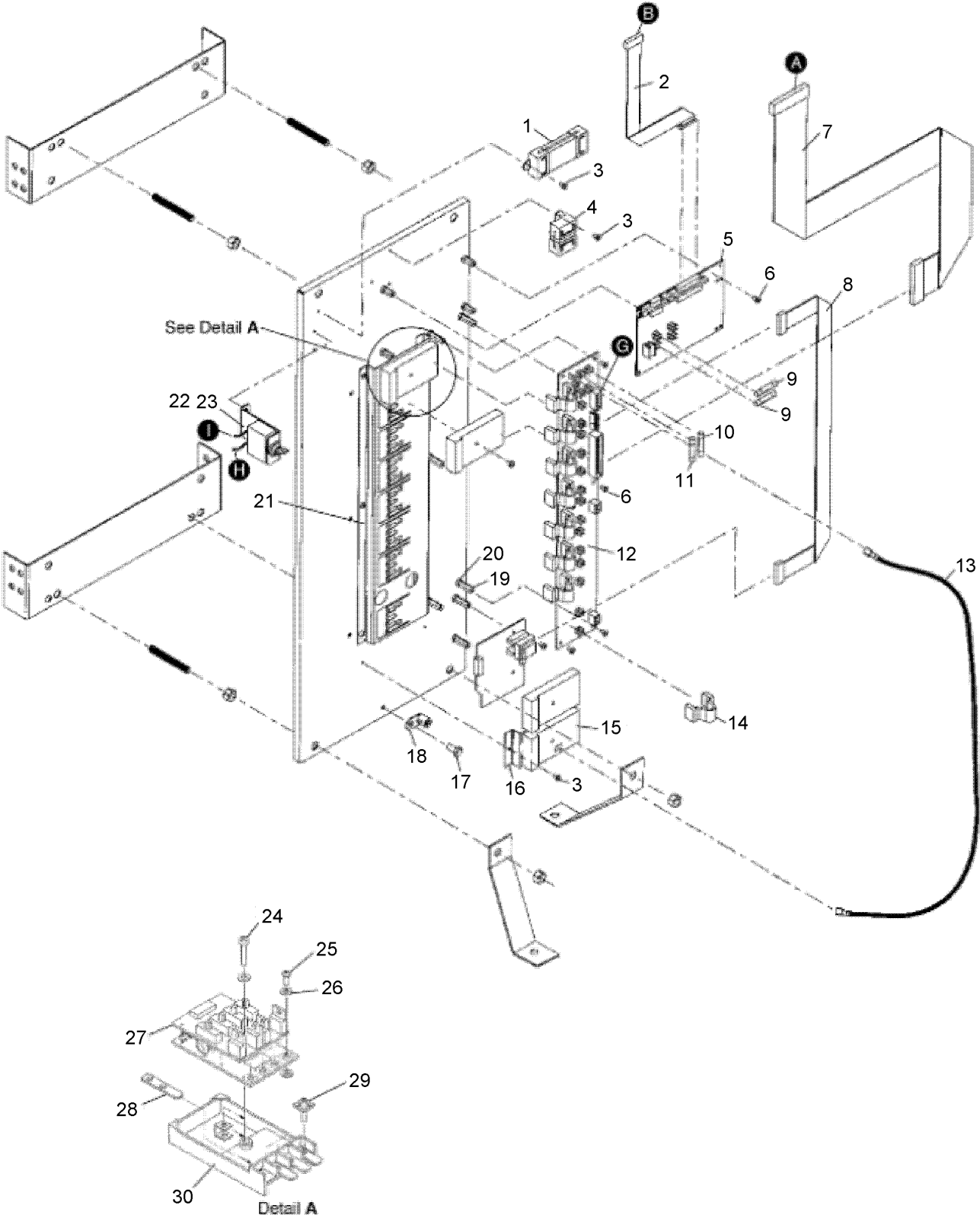
Network 8000 Sat., Plastic Cabinet, Int. Components (continued)

<i>Ref.</i>	<i>Part Number</i>	<i>Qty.</i>	<i>Description</i>	<i>Ref.</i>	<i>Part Number</i>	<i>Qty.</i>	<i>Description</i>
1			Satellite Plastic Pedestal & Components (See Plastic Satellite Pedestal Section) ▲	9	35-6246	1	Pcb Assy., Display
2	4-1063	6	Screw, Tap, #6	10	363-2200	1	Battery, 3.9V
3		1	Label, Caution, Removable Door ▲	11	91-0976	1	Ic, 27C256, Programmed (Eprom)
4		1	Label, Serial, Fcc ▲	12	35-6243	4	Spacer
5	363-1596	1	Screw, Tap, #6-19	13	91-1790	1	Pcb Assembly, Processor Mounting Hole Pattern Board ●■
6	35-7637	1	Cap, Knob		91-2340		Control Panel Assy., Service (Includes Items 5-13) ●■
7	35-6237	1	Knob				
8	35-6247	1	Faceplate Assy.				

● SERVICE ITEMS
▲ Not serviced separately

■ Not illustrated

Network 8000 Sat., Plastic Cabinet, 24V Output



Note: For G, H & I connection, refer to Sheet 4 of 5.

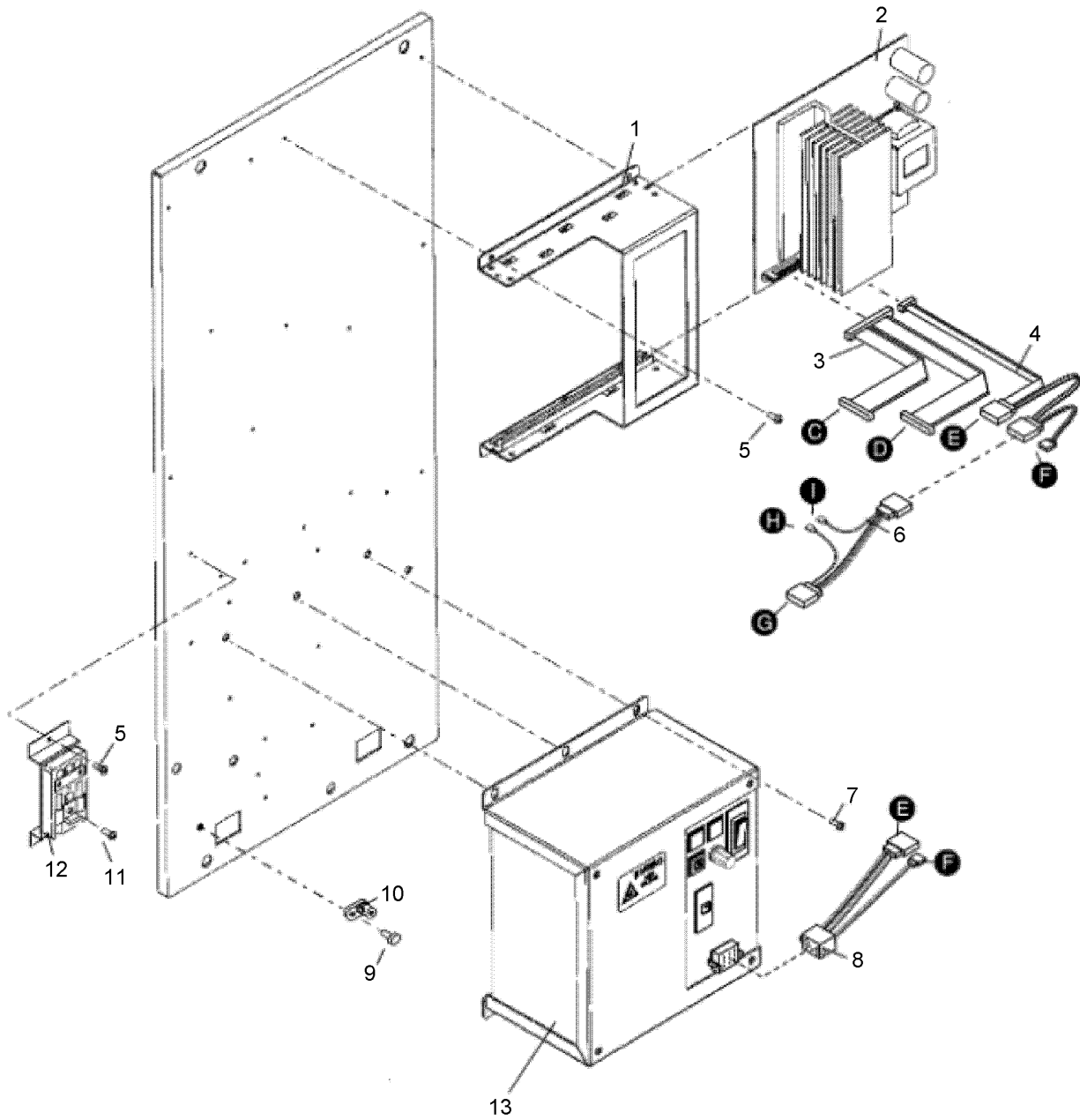
Network 8000 Sat., Plastic Cabinet, 24V Output (continued)

<i>Ref.</i>	<i>Part Number</i>	<i>Qty.</i>	<i>Description</i>	<i>Ref.</i>	<i>Part Number</i>	<i>Qty.</i>	<i>Description</i>
1		1	Ferrite, Flat Cable, 3" ▲	16	35-6346	1	Bracket, Pump Triac Module
2		1	Cable Assembly, Modem ▲	17	360-0595	1	Screw, Machine, 1/4-20 X 1/2"
3	4-1063	9	Screw, Tap, #6	18	363-1553	1	Lug, Grounding
4		1	Ferrite, Flat Cable, 1.5" ▲	19	363-2812	8	Standoff, #6-32 X 3/8
5	102-0864	1	Pcb Assembly, Standard Modem	20	1-3079	12	Nut, Hex, 6-32
6	360-0285	18	Screw, Machine, 6-32 X 3/8	21	89-8150	1	Bracket, Triac Module
7	35-8662	1	Cable Assembly, Fuse Board	22		1	Bracket, Switch ▲
8		1	Cable Assembly, Voltage Monitor ▲	23	363-2370	1	Breaker, Circuit, 10 Amp
9	102-3819	2	Fuse, 0.75 Amp (10-Pack)	24	1-6051	9	Screw, #8 Phph, Steel
10	363-2638	1	Fuse, 0.5 Amp	25	3-2698	32	Screw, Tap, #6-32 X 1/4
11	363-2497	8	Fuse, 3.2 Amp, Slow-Blow, Distribution	26	360-0600	72	Washer, Lock, Ext T
12	91-1783	1	Pcb Assembly, Fuse And Distribution	27	35-6399	8	Base Assembly, Triac
13		1	Wire Assembly, 18 Awg, Brown ▲	28	35-6418	36	Terminal Tab, Triac
14	35-8664	8	Cable Assembly, Triac	29	363-2431	36	Screw, #6 X 1/2, Hi-Lo W/Clamp
15	91-1783	1	Pcb Assembly, Fuse And Distribution	30	35-6418 89-8100	9	Terminal Tab, Triac Assembly, Triac Module, Nw8K ●■
					35-6399		Base Assembly, Triac ●■

● SERVICE ITEMS
▲ Not serviced separately

■ Not illustrated

Network 8000 Sat., Plastic Cabinet, AC/DC PS



Note: For **C** & **D** connection, refer to **Sheet 1 of 5**. For **G**, **H** & **I** connection, refer to **Sheet 3 of 5**.

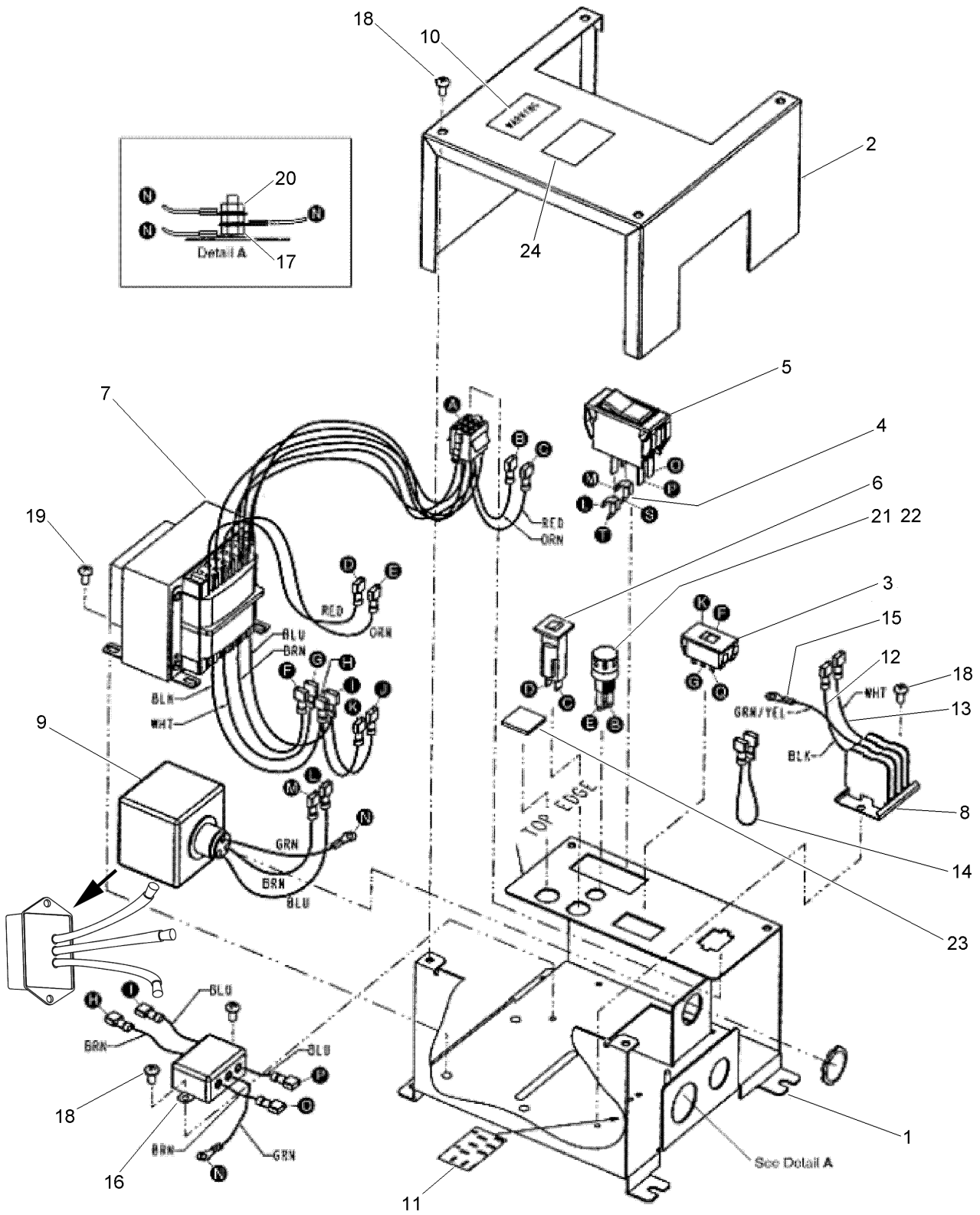
Network 8000 Sat., Plastic Cabinet, AC/DC PS (continued)

<i>Ref.</i>	<i>Part Number</i>	<i>Qty.</i>	<i>Description</i>	<i>Ref.</i>	<i>Part Number</i>	<i>Qty.</i>	<i>Description</i>
1		1	Bracket, AC-DC, Nw8K ■	9	360-0595	1	Screw, Machine, 1/4-20 X 1/2"
2	91-1779	1	Pcb Assembly, Power Supply	10	363-1553	1	Lug, Grounding
3		1	Cable Assembly, Pcn To Modem ■	11	363-3103	1	Screw, Tap, #6-19 X 3/4, Phph
4		1	Cable Assembly, Pcn To Power Supply ■	12	35-8833	1	Bracket Assembly, Com Cable
5	4-1063	6	Screw, Tap, #6	13		1	Power Supply Assembly (See Power Supply Assembly Section) ■
6		1	Cable Assembly, Pcn To Distribution Board ■				Bracket Assembly, Com Cable (Includes Items 5, 11 & 12) ●
7	3-1453	3	Screw, Machine, 10-32 X 3/8, Phph, SS		35-8833		
8		1	Cable Assembly, Power Supply To Pcn ■				

● Not illustrated

■ Not serviced separately

Network 8000 Sat., Plastic Cabinet, Power Supply



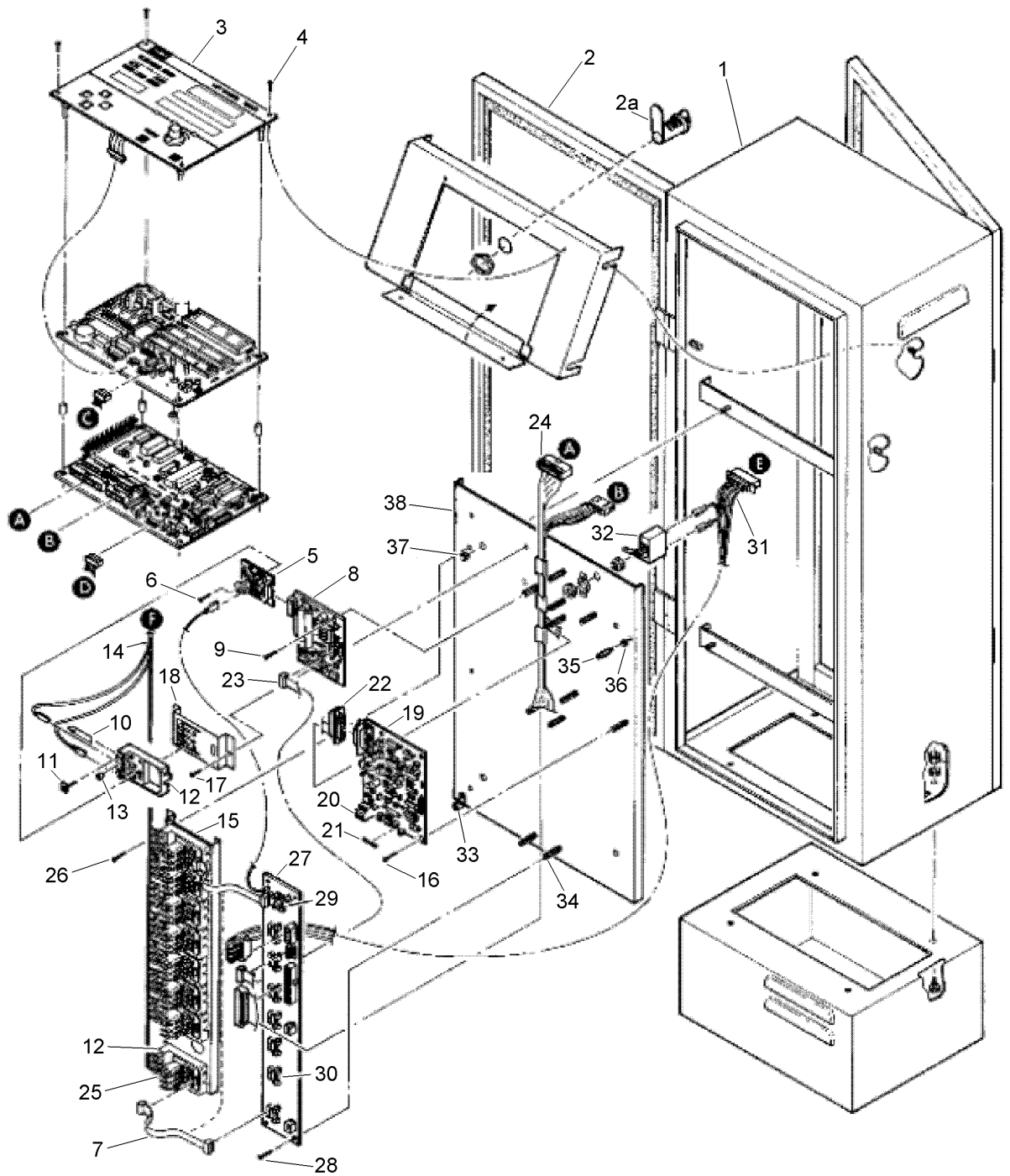
Network 8000 Sat., Plastic Cabinet, Power Supply (continued)

<i>Ref.</i>	<i>Part Number</i>	<i>Qty.</i>	<i>Description</i>	<i>Ref.</i>	<i>Part Number</i>	<i>Qty.</i>	<i>Description</i>
1		1	Case, Base, Standard Power Supply ■	15		1	Wire Assy., 18 Awg, Green/Yellow ■
2		1	Case Cover, Standard Power Supply ■	16		1	Rfi Filter Assembly ■
3	102-0648	1	Slide Switch 115/230V	17	360-0600	1	Washer, Lock, External Tooth, #8
4		1	Tab Adapter ■	18	360-0498	4	Screw, Machine, #8-32 X 1/4" Phph Sst
5	363-3361	1	Switch, Circuit Breaker, 1.5 Amp	19	3-1453	2	Screw, Machine, #10-32 X 3/8", Phph
6	363-5270	1	Circuit Breaker, 4.0 Amp	20		1	Hex Nut, #8-32 W/Lock Washer ■
7	89-8285	1	Transformer, Power Supply	21	360-0750	1	Holder, Fuse
8	363-2371	1	Terminal Block, 3-Position	22	363-2497	1	Fuse, 3.2 Amp
9	118-0589SK	1	Surge Protector (Replaces Older Model)	23		1	Cap, Blank ■
10	89-0722	4	Label, Warning	24		1	Label, Service Kit ■
11		2	Label, Terminal Block ■		89-8279		Power Supply Module (Includes Items 1-24) ●
12		1	Wire Assy., 18 Awg, Black ■				
13		1	Wire Assy., 8 Awg White ■				
14		1	Wire Assy., 18 Awg, Black ■				

● Not illustrated

■ Not serviced separately

Network 8000 Sat., Lrg. Stainless Pedestal (1 of 2)



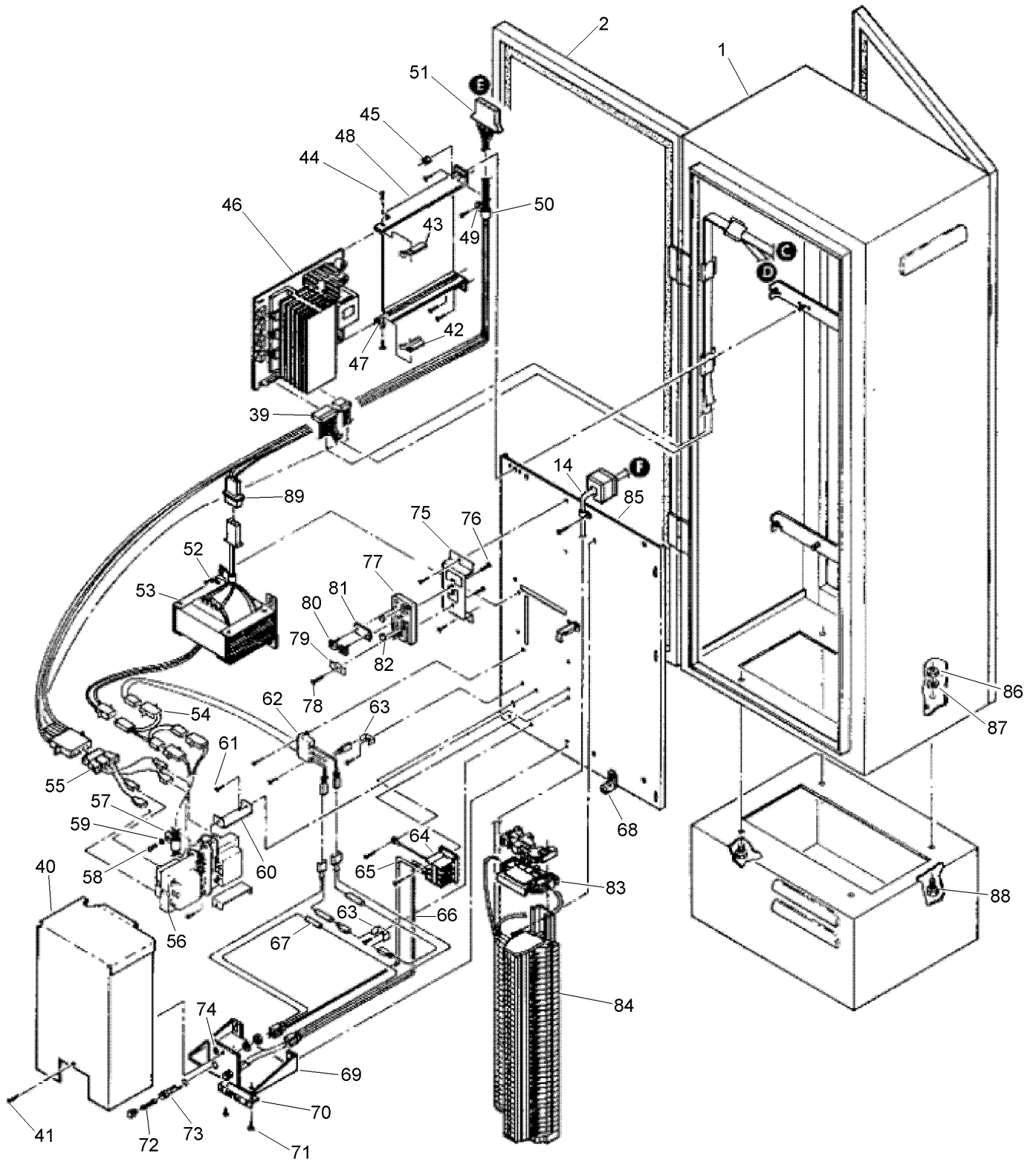
Network 8000 Sat., Lrg. Stainless Pedestal (1 of 2) (continued)

Ref.	Part Number	Qty.	Description	Ref.	Part Number	Qty.	Description
1	35-8480	1	Cabinet Assy., Pedestal Controller (Includes Items 1, 2, 2A, And 39) ●	20	363-2231	1	Connector, 3-Pin, Female
2	91-0986	2	Door Assy., Cabinet (Includes Items 2 And 2A) ●	21	363-2638	1	Fuse, 0.5 Amp, 250V, 3Ag
2A	363-2814	2	Lock Assembly (Includes Keys)	22	35-6328	1	Cable Assy., Modem
3		1	Control Panel Assy. (See Control Panel Assembly) ▲	23	35-8663	1	Cable Assy., Valve Voltage
4	360-0285	4	Screw, Machine #6-32 X 3/8", Sst	24	35-8662	1	Cable Assembly, Fuse Board
5	35-6326	1	Pcb Assy., Pump/Current Monitor	25	35-6332	8	Pcb Assy., Triac Module
6	1-1112	1	Screw, Tap #8, Sst	26	4-1063	6	Screw, Tap, #6
7	35-8664	8	Cable Assembly, Triac Board	27	91-1783	1	Pcb Assembly, Fuse And Distribution
8	91-1782	1	Pcb Assy., Valve Voltage Monitor	28	1-3076	4	Screw, #6-32 X 3/8"
9	1-3076	2	Screw, Tap, #6-32 X 3/8"	29	363-2498	8	Fuse, 0.5 Amp Slow-Blow
10	35-6418	4	Terminal Tab, Triac	30	363-2497	1	Fuse, 3.2 Amp
11	363-2431	4	Screw, #6 X 1/2, Hi-Lo W/Clamp	31	35-8754	1	Cable Assy., Power, 24 V A.C.
12	35-3434	8	Base, Triac Module	32	363-2370	1	Breaker, Circuit, 10 Amp
13	360-0471	4	Surge Protector	33	363-1553	1	Lug, Grounding
14	35-8742	1	Cable Assy., Triac Module	34	363-2804	6	Standoff, Hex, #6-32 X 1/2"
15	35-8795	1	Bracket, Triac Module	35	363-2812	6	Standoff, #6-32 X 3/8"
16	1-3076	4	Screw, Tap, #6-32 X 3/8"	36	1-3079	12	Nut, Hex, 6-32
17	4-1063	2	Screw, Tap, #6	37	360-0594	3	Nut, Hex, 1/4-20
18	35-6346	1	Bracket, Pump Triac Module	38		1	Plate, Front Mounting ▲
19	89-7852	1	Pcb Assy., Modem (Includes Items 20 & 21)		35-6399		Base Assembly, Triac Module (Includes Items 10-13) ■
					9-1051		Board, Mounting Hole Pattern ■
					363-1683		Washer, Flat, 5/16" ■
					363-1684		Nut, Hex, 5/16-18 ■
					363-1686		Screw, Cap 5/16" X 4" ■

● SERVICE ITEMS
▲ Not serviced separately

■ Not illustrated

Network 8000 Sat., Lrg. Stainless Pedestal (2 of 2)



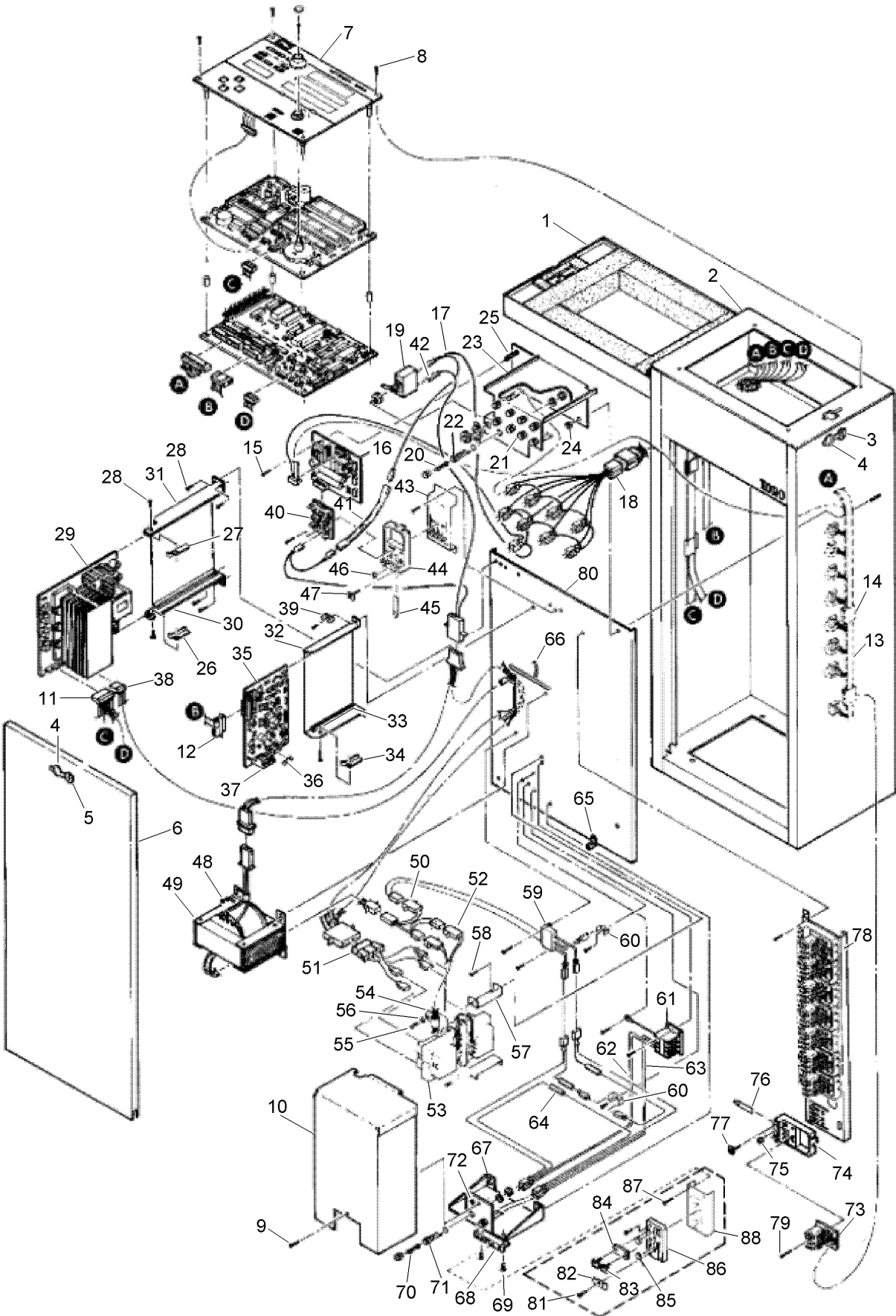
Network 8000 Sat., Lrg. Stainless Pedestal (2 of 2) (continued)

Ref.	Part Number	Qty.	Description	Ref.	Part Number	Qty.	Description
1	35-8480	1	Cabinet Assy., Pedestal Controller (Includes Items 1, 2, And 39) ●	68	363-1553	1	Lug, Grounding
2	91-0986	2	Door Assy., Cabinet (Includes Lock Assembly And Keys) ●	69		1	Bracket, Conduit ▲
14	35-8742	1	Cable Assy., Triac Module	70	35-7738	1	Bracket, Pill Carrier
39	35-8705	1	Cable Assy., Power	71	3-2698	5	Screw, Tap, #6-32 X 1/4"
40	35-6345	1	Cover, Power Supply	72	363-2260	2	Fuse, 3 Amp
41	3-2698	1	Screw, Tap, #6-32 X 1/4	73	360-0750	2	Holder, Fuse
42	35-8704	1	Bracket, Retainer, Lower	74	363-2459	1	Plug, Hole
43		1	Bracket, Retainer, Upper ▲	75	35-8448	1	Bracket, Surge Protector
44	4-1063	2	Screw, Tap, #6	76	363-1596	1	Screw, Tap, #6-19
45	360-0594	1	Nut, Hex, 1/4-20	77	35-7458	1	Carrier, Surge Protector
46	91-1779	1	Pcb Assembly, Power Supply	78	363-3103	1	Screw, Tap, #6-19 X 3/4", Phph
47	363-2233	2	Guide, Card, Pcb 6-3/4"	79	363-2271	1	Clamp, Cable
48	35-8367	1	Bracket, Power Supply	80	363-2431	2	Screw, #6 X 1/2", Hi-Lo W/Clamp
49		2	Washer, Flat, #8, Brass ▲	81	35-7524	1	Strap
50	1-7176	1	Clamp, Cable, Large	82	360-0471	2	Surge Protector
51	35-8755	1	Cable Assy., Power Level 3	83	363-2635	1	Fuse, 7.5 Amp
52	360-0355	1	Screw, Tap #8	84	363-2807	1	Terminal Strip
53	35-8583	1	Transformer Assy., Triac	85	35-9703	1	Plate, Rear Mounting
54	35-8792	1	Cable Assy., Transformer, 24V	86	363-1684	8	Nut, Hex, 5/16-18 ●
55	35-8837	1	Cable Assy., Transformer, Power	87	363-1683	4	Washer, Flat, 5/16" ●
56	91-1288	2	Transformer Assy., 24V, 20 Va	88	363-1686	4	Screw, Cap, 5/16" X 1.5" ●
57	1-7176	1	Clamp, Cable, Large	89	89-7464	1	Cable Assy., Y-Harness
58	360-0355	1	Screw, Tap #8		35-8833		Bracket Assembly, Com Cable (Includes Items 75-82) ●■
59		1	Washer, Flat, #8, Brass ▲		35-8741		Bracket And Fuse Assy. (Includes Items 69-74) ●■
60	35-8174	2	Bracket, Transformer		35-9114		Lightning Protection Assy. (Includes Items 67) ●■
61	4-1063	4	Screw, Tap, #6		35-8753		Transformer Assy., Power (Includes Items 56-60) ●■
62	35-8904	1	Filter Assy., Rfi		91-0987		Pcb Assy., Mod. 30, 286, Network 8000 (Snc) ●■
63	363-1346	2	Tab, Terminal, Kt-4		35-9450		Pcb Assy., Sensor Input, Network 8000 Mc Unit ●■
64	363-2371	1	Terminal Block, 3-Position		35-8472		Pressure Sensor Kit, Network 8000 Mc Unit ●■
65	35-7841	1	Wire Assy., Fuse/Terminal Block, Black		35-9427		Cable Assy., Pressure Sensor, Network 8000 Mc Unit ●■
66	35-7842	1	Wire Assy., Fuse/Terminal Block, White				
67	360-0345	3	Surge Protector				

● SERVICE ITEMS
▲ Not serviced separately

■ Not illustrated

Network 8000 Sat., Small, Green Stainless Pedestal



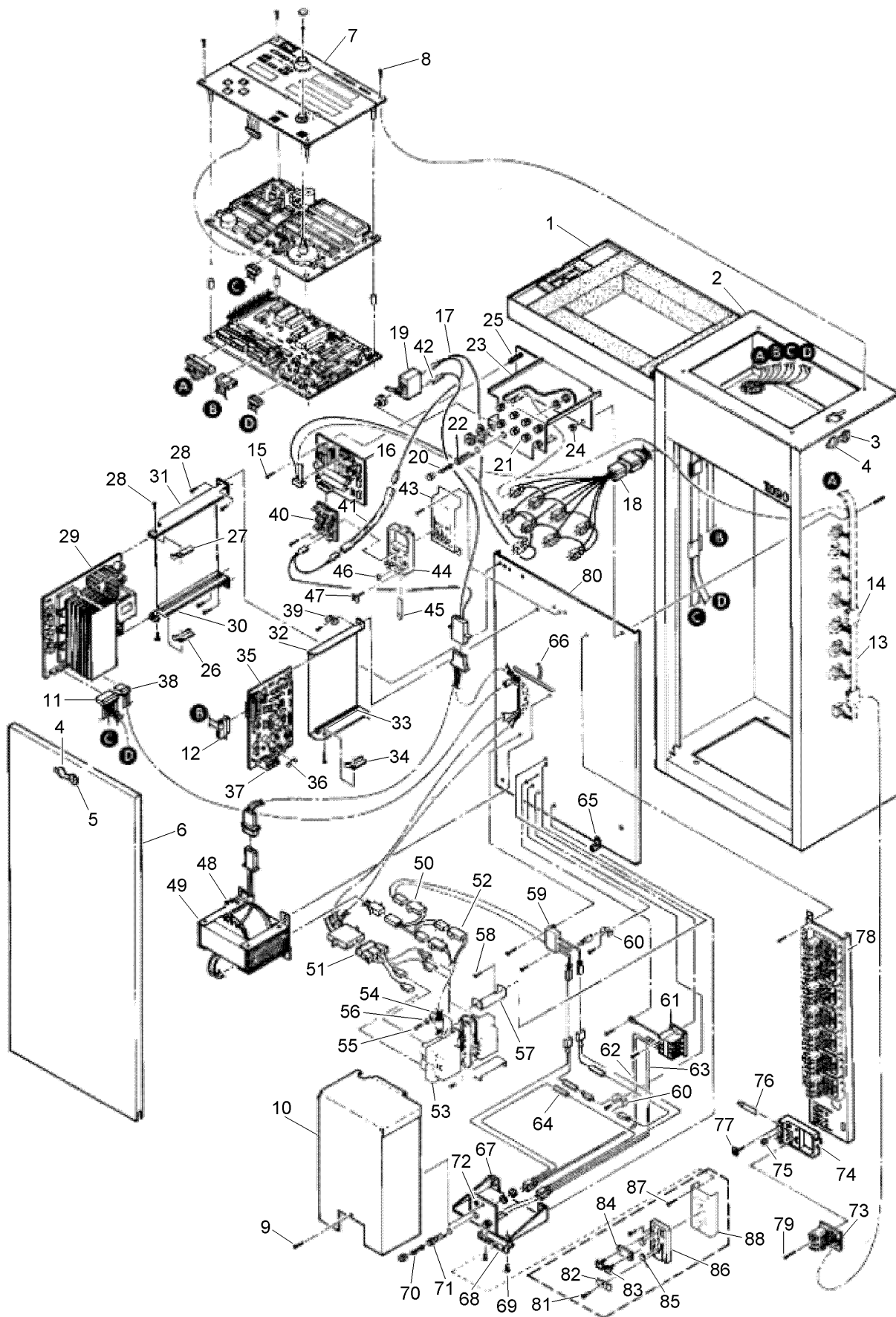
Network 8000 Sat., Small, Green Stainless Pedestal (continued)

Ref.	Part Number	Qty.	Description	Ref.	Part Number	Qty.	Description
1	9-4043	1	Lid Assy., Cabinet	51	35-8837	1	Cable Assy., Transformer, Power
2	89-0385	1	Cabinet, Tall	52	363-1273	1	Connector, Pin
3	360-0583	1	Lock, Door	53	91-1288	2	Transformer Assy., 24V, 20 Va
4	9-4303	2	Cover, Lock	54	1-7176	1	Clamp, Cable, Large
5	360-0583	1	Lock, Door	55	360-0355	1	Screw, Tap #8
6	9-1018	1	Door, Pedestal	56		1	Washer, Flat, #8, Brass ▲
7		1	Panel Assy., Control (See Control Panel Assembly) ▲	57	35-8174	2	Bracket, Transformer
8	360-0285	4	Screw, Machine, 6-32 X 3/8", Sst	58	4-1063	4	Screw, Tap, #6
9	3-2698	1	Screw, Tap, #6-32 X 1/4"	59	35-8904	1	Filter Assy., Rfi
10	35-8706	1	Cover, Power Supply	60	363-1346	2	Tab, Terminal, Kt-4
11	35-8705	1	Cable Assy., Power	61	363-2371	1	Terminal Block, 3-Position
12	35-6328	1	Cable Assy., Modem	62	35-7841	1	Wire Assy., Fuse/Terminal Block, Black
13	35-7605	1	Cable Assy., Triac Driver	63	35-7842	1	Wire Assy., Fuse/Terminal Block, White
14	363-2321	1	Clamp, Cable Flat	64	360-0345	3	Surge Protector
15	1-3076	1	Screw, 6-32 X 3/8"	65	363-1553	1	Lug, Grounding
16	91-1782	1	Pcb Assy., Valve Voltage Monitor	66	35-7288	1	Clip, Ground
17	35-7286	1	Wire Assy., Fuse	67		1	Bracket, Conduit ▲
18	35-7575	1	Cable Assy., Triac Fuse	68	35-7738	1	Bracket, Pill Carrier
19	363-2370	1	Breaker, Circuit, 10 Amp	69	3-2698	5	Screw, Tap, #6-32 X 1/4"
20	363-2497	8	Fuse, 3.2 Amp	70	363-2260	2	Fuse, 3 Amp
21	363-2498	1	Fuse, 0.5 Amp Slow-Blow	71	360-0750	2	Holder, Fuse
22	360-0750	9	Holder, Fuse	72	363-2459	1	Plug, Hole
23	35-7285	1	Bracket, Fuse	73	35-6332	1	Pcb Assy., Triac Module
24	360-0594	1	Nut-Hex	74	35-3434	1	Base, Triac Module
25	363-2812	8	Standoff, #6-32 X 3/8	75	360-0471	32	Surge Protector
26	35-8704	1	Bracket, Retainer, Lower	76	35-6418	32	Terminal Tab, Triac
27		1	Bracket, Retainer, Upper ▲	77	363-2431	32	Screw, #6 X 1/2, Hi-Lo W/Clamp
28	4-1063	6	Screw, Tap, #6	78	35-8795	1	Bracket, Triac Module
29	91-1779	1	Pcb Assembly, Power Supply	79	1-1112	8	Screw, Tap #8 Sst
30	363-2233	2	Guide, Card, Pcb 6-3/4"	80	35-9703	1	Plate, Rear Mounting
31	35-8367	1	Bracket, Power Supply	81	360-0733	1	Screw, Tap, #6
32	35-8570	1	Bracket, Modem	82	363-2271	1	Clamp, Cable
33	363-2281	2	Guide, Card, Pcb,	83	363-2431	2	Screw, #6 X 1/2, Hi-Lo W/Clamp
34	35-8704	1	Bracket, Retainer, Lower	84	35-7524	1	Strap
35	91-1781	1	Pcb Assy., Modem	85	360-0471	2	Surge Protector
36	363-2638	2	Fuse, .5 Amp	86	35-7458	1	Carrier, Surge Protector
37	363-2231	1	Connector, 3-Pin, Female	87	363-1596	1	Scr,TAP,6-19X7/16,Phph, Stl, Rohs
38	35-8755	1	Cable Assy., Power Level 3	88	35-7790	1	Bracket Assy., Surge Protector
39	363-1346	3	Tab, Terminal, Kt-4		91-0987		Pcb Assy., Mod. 30, 286, Network 8000 (Snc) ●■
40	35-6326	1	Pcb Assy., Pump/Current Monitor		91-0488		Pedestal, Satellite, Network 8000, Small Stainless Steel (Includes Items 1-6) ●■
41	35-7888	1	Surge Protector Assy.		91-0291		Door Assy., Stainless Steel (Includes Items 4-6) ●■
42	35-8796	1	Cable Assy., 24V		9-4993		Door Assy., Green Metal Pedestal (Includes Items 4-6) ●■
43	35-6346	1	Bracket, Pump Triac Module		9-1695		Lock Assy. (Includes Items 3 & 4) ●■
44	35-6399	9	Base Assembly, Triac				
45	35-6418	4	Terminal Tab, Triac				
46	360-0471	4	Surge Protector				
47	363-2431	4	Screw, #6 X 1/2", Hi-Lo W/Clamp				
48	360-0355	1	Screw, Tap #8				
49	35-8583	1	Transformer Assy., Triac				
50	35-8793	1	Cable Assy., Transformer, 24V				

● SERVICE ITEMS
▲ Not serviced separately

■ Not illustrated

Network 8000 Sat., Small, Green Stainless Pedestal (continued)



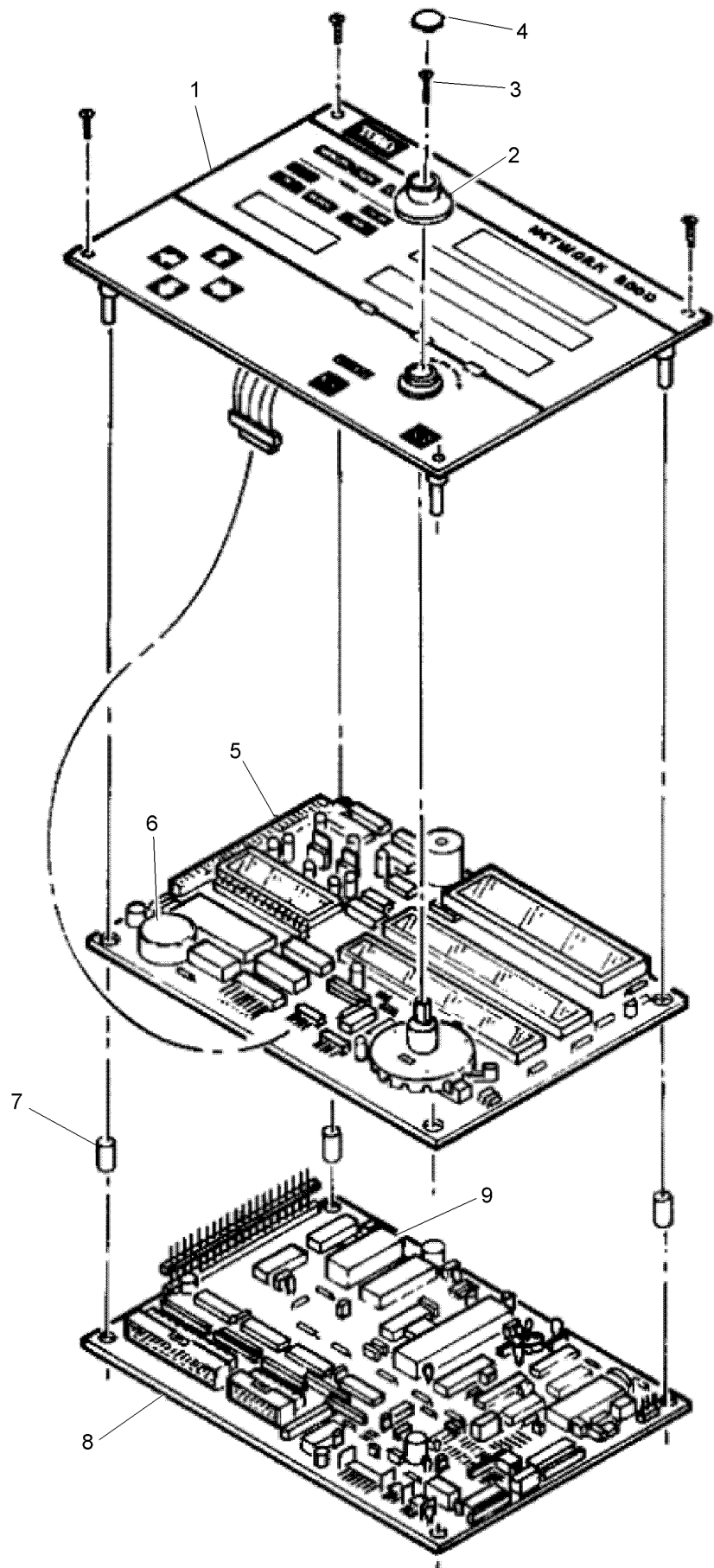
Network 8000 Sat., Small, Green Stainless Pedestal (continued)

<i>Ref.</i>	<i>Part Number</i>	<i>Qty.</i>	<i>Description</i>	<i>Ref.</i>	<i>Part Number</i>	<i>Qty.</i>	<i>Description</i>
	35-8741		Bracket And Fuse Assy. (Includes Items 67-72) ●■		363-2635		Fuse, 7.5 Amp ●■
	35-6399		Base Assembly, Triac Module (Includes Items 74-77) ●■		363-1684		Hex Nut, 5/16" (Small Stainless Steel Pedestal Only) ●■
	35-8970		Kit, Installation, Network 8000 (Includes Items 81-88) ●■		363-1683		Flat Washer, 5/16" (Small Stainless Steel Pedestal Only) ●■
	35-2355		Fuse Holder, Inline (Small Stainless Steel Pedestal Only) ●■		363-1686		Cap Screw, 5/16" X 4.5" (Small Stainless Steel Pedestal Only) ●■

● SERVICE ITEMS
▲ Not serviced separately

■ Not illustrated

Network 8000 Satellite Control Panel Assembly



Network 8000 Satellite Control Panel Assembly (continued)

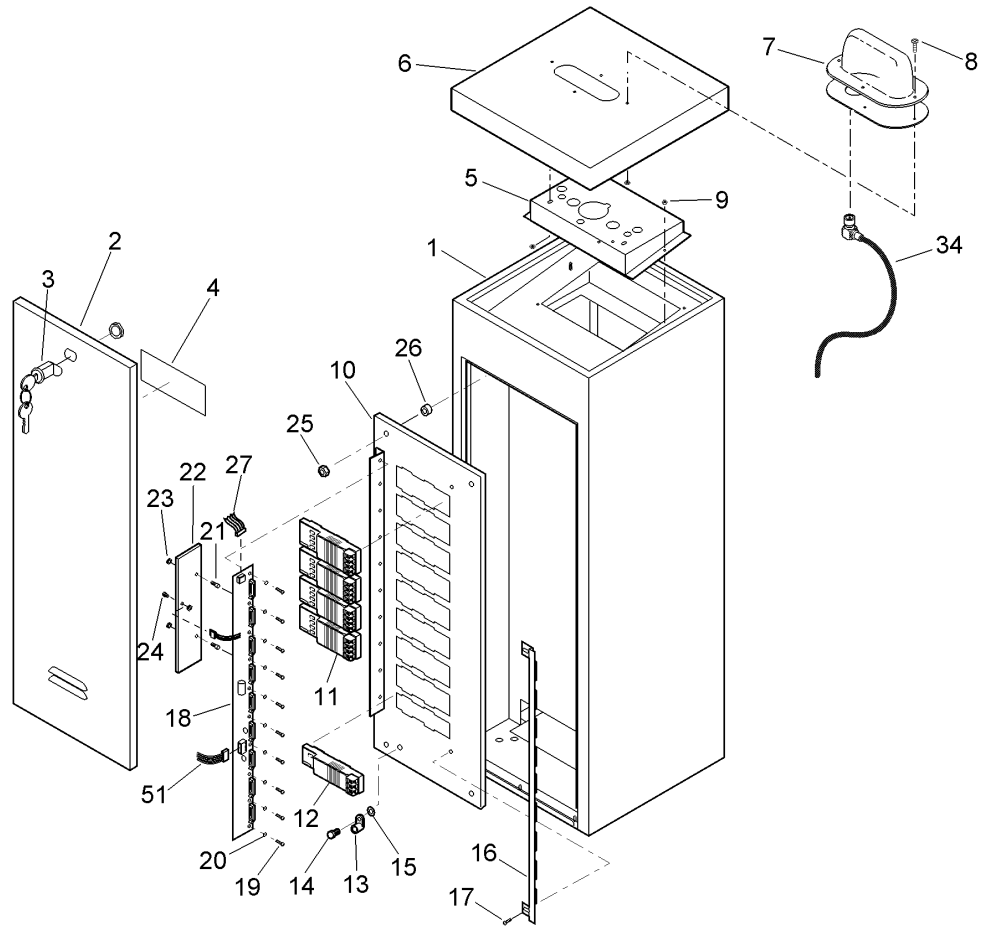
<i>Ref.</i>	<i>Part Number</i>	<i>Qty.</i>	<i>Description</i>	<i>Ref.</i>	<i>Part Number</i>	<i>Qty.</i>	<i>Description</i>
1	35-6247	1	Faceplate Assy.	8	91-1790	1	Pcb Assembly, Processor
1		1	Faceplate Assembly, Nw 8000 Mc Unit ▲	8	91-1786	1	Pcb Assy., Processor, Nw 8000 Mc Unit
1		1	Faceplate Assembly, Nw 8000 Plc ▲	8	91-1787	1	Pcb Assy., Processor, Nw 8000 Plc
2	35-6237	1	Knob	9	995-94	1	Eprom, Network 8000 Satellite, Rev. 5.06
3	363-1596	1	Screw, Tap, #6-19		91-2340		Control Panel Assy., Service (Includes Items 1-9) ●■
4	35-7637	1	Cap, Knob		91-1278		Control Panel Assembly, Network 8000 Mc Unit (Includes Items 1-9) ●■
5	91-1784	1	Pcb Assy., Display, Nw 8000 Sat.		91-1800		Control Panel Assembly, Network 8000 Plc (Includes Items 1-9) ●■
5	91-1791	1	Pcb Assy., Display, Nw 8000 Mc Unit				
5	91-1282	1	Pcb Assy., Display, Nw 8000 Plc				
6	363-2200	1	Battery, 3.9V				
7	35-6243	4	Spacer				

● SERVICE ITEMS
▲ Not serviced separately

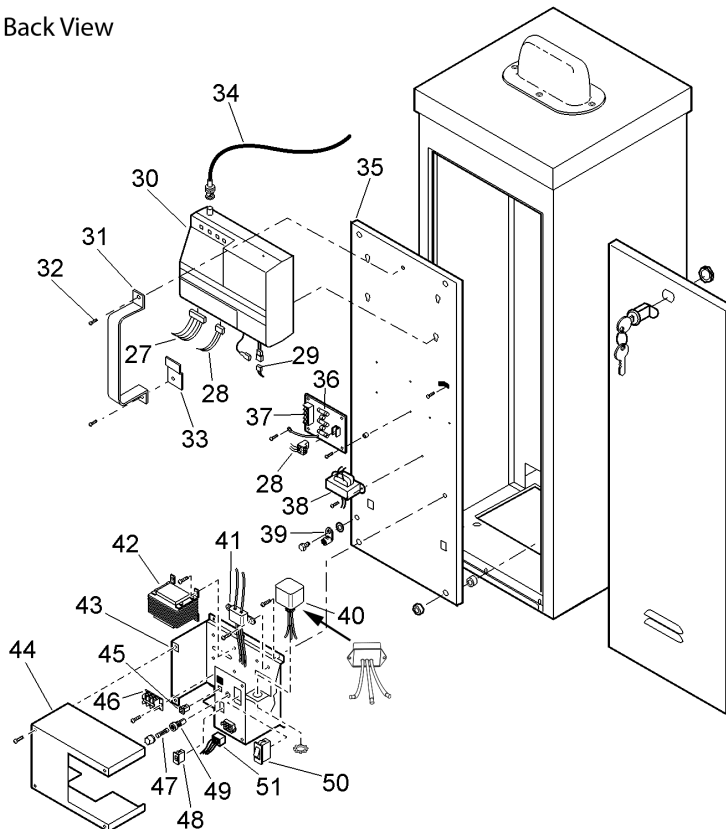
■ Not illustrated

Network DR2 Satellite - Metal Cabinet (Late Model)

Front View



Back View



Network DR2 Satellite - Metal Cabinet (Late Model) (continued)

Ref.	Part Number	Qty.	Description	Ref.	Part Number	Qty.	Description
1		1	Cabinet Assy., Pedestal, 13" X 13" ▲	30	DR2-00-02	1	Dr2 Scorpio, Frequency 2 ♦
2	89-7842	2	Door Assy. (Includes Item 3)	30	DR2-00-03	1	Dr2 Scorpio, Frequency 3 ♦
2	89-7846	2	Door Assy., Sst (Includes Item 3)	30	DR2-00-04	1	Dr2 Scorpio, Frequency 4 ♦
3	363-5369	2	Lock Assy., Door	30	DR2-00-05	1	Dr2 Scorpio, Frequency 5 ♦
4	91-0910	2	Decal, Caution, Removable Door	30	DR2-00-06	1	Dr2 Scorpio, Frequency 6 ♦
5		1	Adapter, Pedestal Lid ▲	30	DR2-00-AA	1	Dr2 Scorpio, Frequency, Special ♦
6		1	Lid, (Antenna-Mount) (See Service Item 89-7775) ▲	31		1	Bracket, Shipping, ▲
6		1	Lid, Sst (Antenna-Mount) (See Service Item 89-7775) ▲	32		2	Screw, Tap, #6, ▲
7		1	Antenna, Dome, 400-470 Mhz (See Service Item 89-7775) ▲	33		1	Bracket, Terminal, Scorpio ▲
8		1	Screw, Machine, #10-32 X 5/8" (See Service Item 89-7775) ▲	34		1	Cable Assy., Antenna ▲
9		8	Hex Nut, #10-32 W/Ext T Lk ▲	35	89-7750	1	Plate, Power Supply, Mounting
10		1	Plate, Module, Mounting, 32 ▲	36	363-2638	3	Fuse, .5 Amp
11	MOD-S4	4	Module Assy., Output ♦	37	89-7682	1	Pcb Assy., Lcm/Sensor Interface
12	89-7711	1	Module Assy., Pump	38	89-7979	1	Xfmr Assy., Isolation (W/Cables)
13	363-1553	1	Lug, Grounding	39	363-1553	1	Lug, Grounding
14		1	Screw, Machine, 1/4-20 X 1/2" ▲	40	118-0538SK	1	Joslyn Surge Protector W/Nut (Replaces Older Model)
15		2	Washer, Lock, 1/4 ▲	41	89-8001	1	Emi Filter Assy. (W/Cables)
16	89-7394	1	Lock, Module	42	102-0647	1	Transformer Assy., Svc. ●
17	363-1752	2	Screw, Machine, #10-32	43		1	Power Supply Metal Base ▲
18	89-7786	1	Pcb Assy., Buf, Back Plane	44		1	Power Supply Metal Cover ▲
19	360-0498	10	Screw, Machine, 8-32 X 1/4"	45	102-0651	1	Circuit Breaker, 4.0 Amp
20		10	Washer, Lock, #8 ▲	46	363-3216	1	Terminal Block, Socket
21		2	Spacer, #8-32, Male/Female ▲	47	102-0650	1	Fuse, 3.2 Amp, Slow-Blow (10-Pack)
22		1	Heat Sink ▲	48	102-0648	1	Slide Switch 115/230V
23		2	Hex Nut, #8-32 ▲	49	102-0649	1	Fuse Holder W/Cap
24	360-0285	1	Screw, Machine, 6-32 X 3/8	50	102-0666	1	On/Off Switch
25	363-3236	8	Hex Nut, 5/16	51		1	Cable Assy., Power Supply ▲
26		1	Spacer ▲		360-0565		Keys, Lock (Golf #1382) ●■
27	89-7771	1	Cable Assy., Output		89-7775		Lid Assy., Ped., Sst W/ Antenna (Includes Items 6-8) ●■
28		1	Cable Assy. ▲		89-8158		Lid, Pedestal (Non-Antenna) ●■
29	89-8001	1	Emi Filter Assy. (W/Cables)		89-8159		Lid, Pedestal, Sst (Non-Antenna) ●■
30	DR2-00-01	1	Dr2 Scorpio, Frequency 1 ♦		89-7789		Back Plate Assy., Dr2 (Includes Items 10-24) ●■

● SERVICE ITEMS

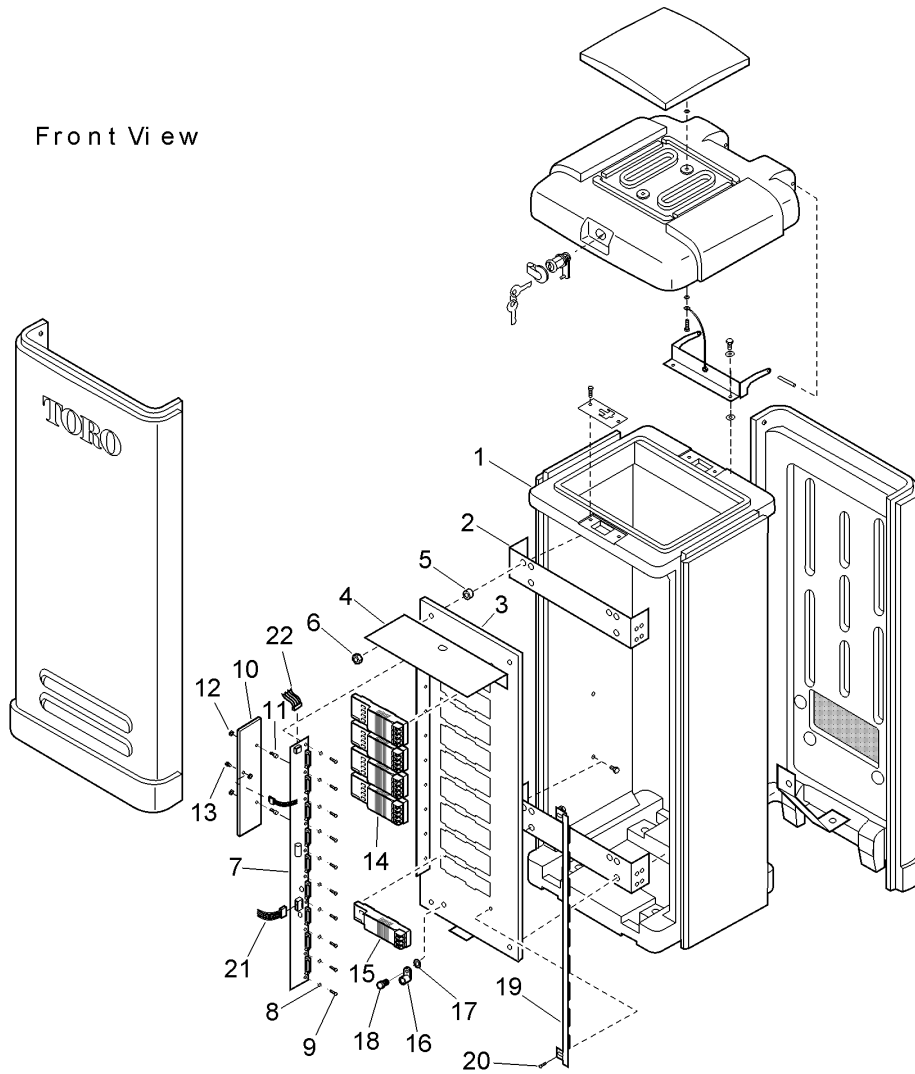
▲ Not serviced separately

♦ Order Through Finished Goods Distribution System - Minneapolis

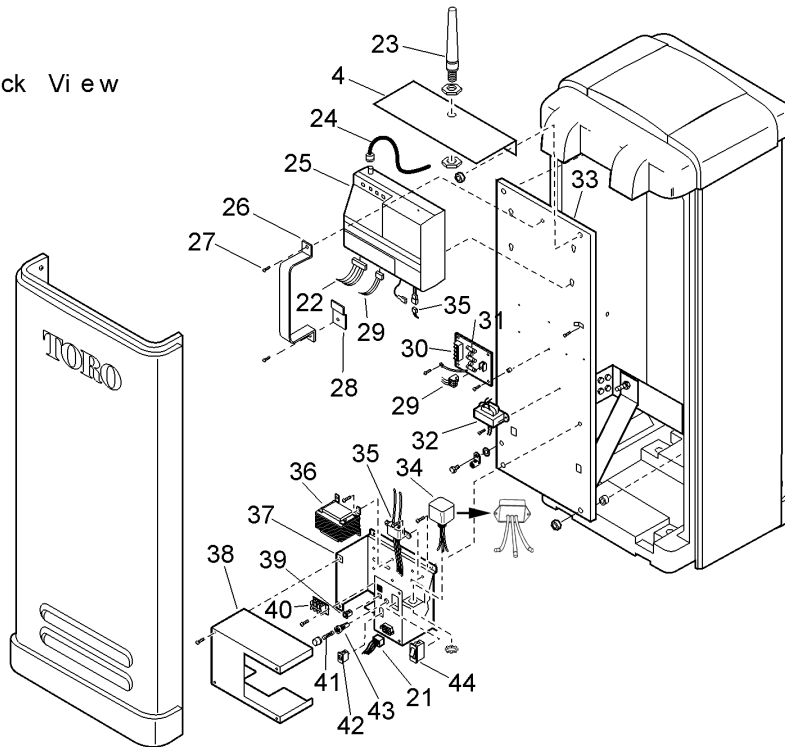
■ Not illustrated

Network DR2 Satellite - Plastic Cabinet

Front View



Back View



Network DR2 Satellite - Plastic Cabinet (continued)

<i>Ref.</i>	<i>Part Number</i>	<i>Qty.</i>	<i>Description</i>	<i>Ref.</i>	<i>Part Number</i>	<i>Qty.</i>	<i>Description</i>
1		1	Satellite Plastic Pedestal & Components ▲	25	DR2-00-04	1	Dr2 Scorpio, Frequency 4 ♦
2	89-8225	2	Bracket	25	DR2-00-05	1	Dr2 Scorpio, Frequency 5 ♦
3		1	Plate, Module, Mounting ▲	25	DR2-00-06	1	Dr2 Scorpio, Frequency 6 ♦
4		2	Bracket, Antenna ▲	25	DR2-00-AA	1	Dr2 Scorpio, Frequency, Special ♦
5	900-41	8	Retainer, Tube, 5/16" (Used As Spacer) ♦	26		1	Bracket, Shipping, ▲
6	363-3236	8	Hex Nut, 5/16	27		2	Screw, Tap, #6 ▲
7	89-7786	1	Pcb Assy., Buf, Back Plane	28		1	Bracket, Terminal, Scorpio ▲
8		10	Washer, Lock, #8 ▲	29		1	Cable Assy. ▲
9	360-0498	10	Screw, Machine, 8-32 X 1/4"	30	89-7682	1	Pcb Assy., Lcm/Sensor Interface
10		1	Heat Sink ▲	31	363-2638	3	Fuse, .5 Amp
11		2	Spacer, #8-32, Male/Female ▲	32	89-7979	1	Xfmr Assy., Isolation (W/Cables)
12		2	Hex Nut, #8-32 ▲	33		1	Plate, Mounting, Back ▲
13	360-0285	1	Screw, Machine, 6-32 X 3/8	34	118-0538SK	1	Joslyn Surge Protector W/Nut (Replaces Older Model)
14	MOD-S4	4	Module Assy., Output ♦				
15	89-7711	1	Module Assy., Pump	35	89-8001	1	Emi Filter Assy. (W/Cables)
16	363-1553	1	Lug, Grounding	36	102-0647	1	Transformer Assy., Svc.
17		2	Washer, Lock, 1/4" ▲	37		1	Power Supply Metal Base ▲
18		1	Screw, Machine, 1/4-20 X 1/2" ▲	38		1	Power Supply Metal Cover ▲
19	89-7394	1	Lock, Module	39	102-0651	1	Circuit Breaker, 4.0 Amp
20	363-1752	2	Screw, Machine, #10-32	40	363-3216	1	Terminal Block, Socket
21		1	Cable Assy., Power Supply ▲	41	102-0650	1	Fuse, 3.2 Amp, Slow-Blow (10-Pack)
22	89-7771	1	Cable Assy., Output	42	102-0648	1	Slide Switch 115/230V
23	102-0655	1	Antenna, 450-475 Mhz, W/Bnc Connector ♦	43	102-0649	1	Fuse Holder W/Cap
24		1	Cable Assy., Antenna ▲	44	102-0666	1	On/Off Switch
25	DR2-00-01	1	Dr2 Scorpio, Frequency 1 ♦		89-7789		Back Plate Assy., Dr2 (Includes Items 2, 3, 7, & 10-29) ●■
25	DR2-00-02	1	Dr2 Scorpio, Frequency 2 ♦				
25	DR2-00-03	1	Dr2 Scorpio, Frequency 3 ♦				

● SERVICE ITEMS

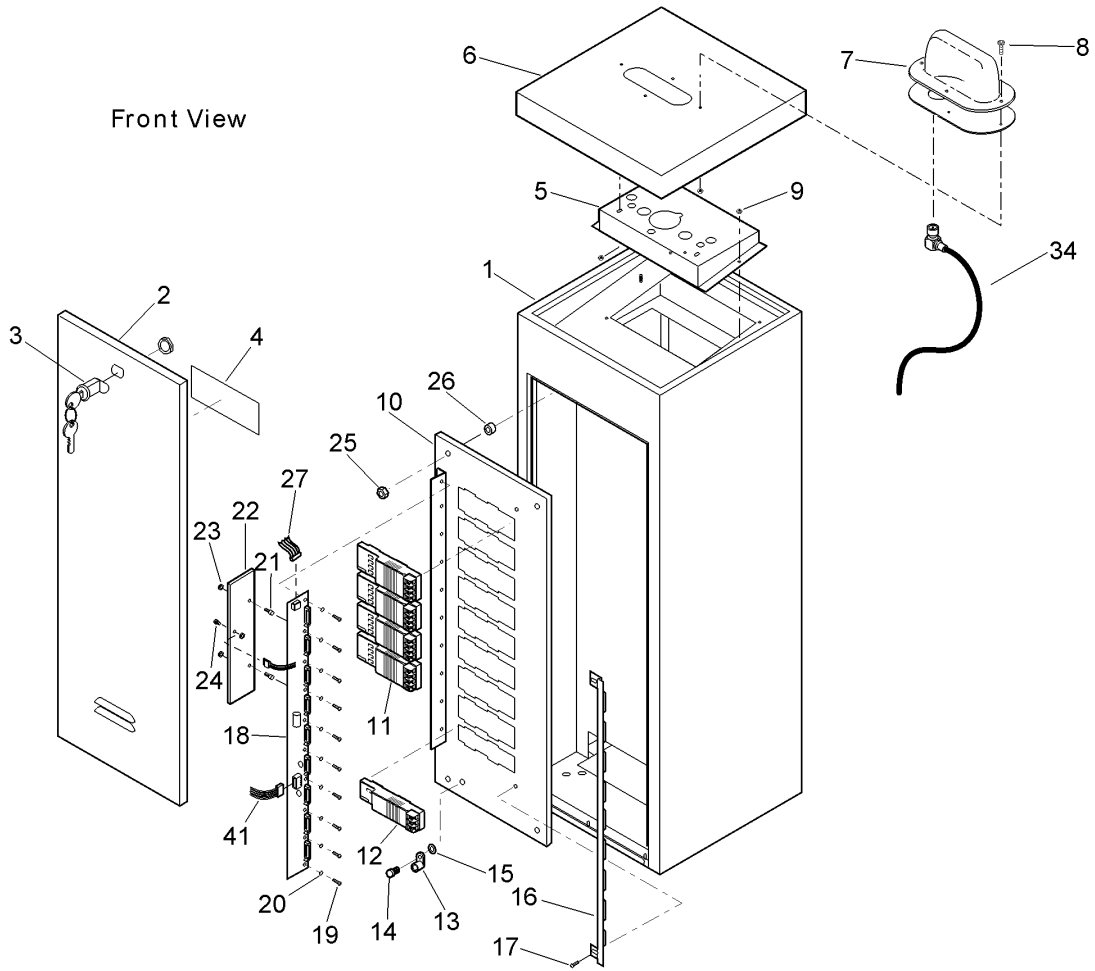
▲ Not serviced separately

♦ Order Through Finished Goods Distribution System - Minneapolis

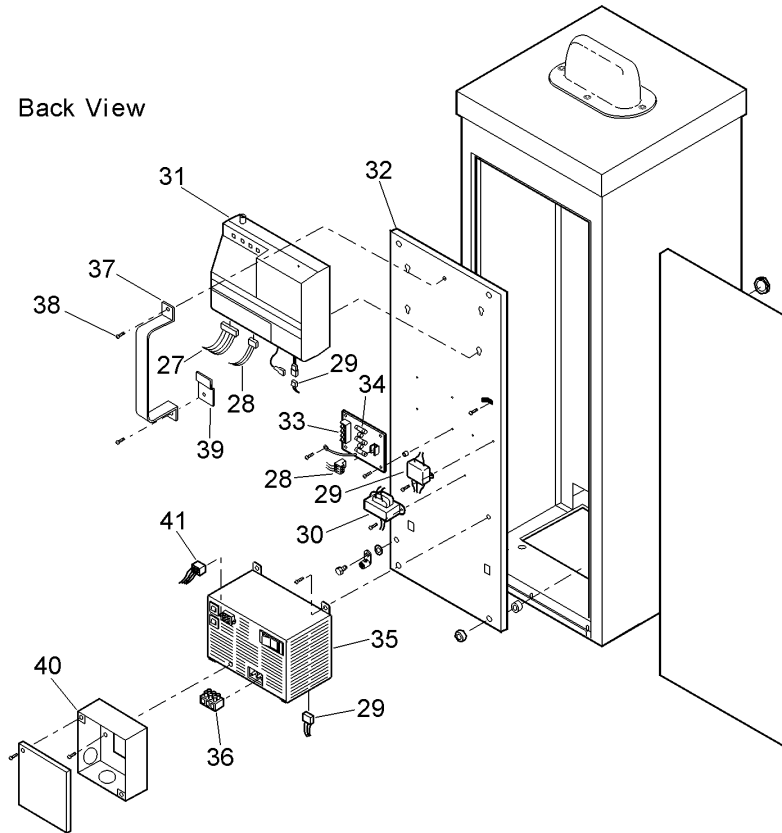
■ Not illustrated

Network DR2 Satellite (Early Model)

Front View



Back View



Network DR2 Satellite (Early Model) (continued)

Ref.	Part Number	Qty.	Description	Ref.	Part Number	Qty.	Description
1		1	Cabinet Assy., Pedestal, 13" X 13" ♦	28		1	Cable Assy. ♦
2	89-7842	2	Door Assy. (Includes Item 3)	29	89-8001	1	Emi Filter Assy. (W/Cables) ▲
2	89-7846	2	Door Assy., Sst (Includes Item 3)	30	89-7979	1	Xfmr Assy., Isolation (W/Cables) ▲
3	363-5369	2	Lock Assy., W/Keys	31	DR2-00-01	1	Dr2 Scorpio, Frequency 1 □
4	91-0910	2	Decal, Caution, Removable Door	31	DR2-00-02	1	Dr2 Scorpio, Frequency 2 □
5		1	Adapter, Pedestal, Lid ♦	31	DR2-00-03	1	Dr2 Scorpio, Frequency 3 □
6	89-7793	1	Lid, (Antenna-Mount)	31	DR2-00-04	1	Dr2 Scorpio, Frequency 4 □
6	89-7881	1	Lid, Sst (Antenna-Mount)	31	DR2-00-05	1	Dr2 Scorpio, Frequency 5 □
7		1	Antenna, Dome, 400-470 Mhz ♦	31	DR2-00-06	1	Dr2 Scorpio, Frequency 6 □
8		4	Screw, Machine, #10-32 X 5/8" ♦	31	DR2-00-AA	1	Dr2 Scorpio, Frequency, Special □
9		8	Hex Nut, 10-32 W/Ext. Tooth Lock Washer ♦	32	89-7750	1	Plate, Power Supply, Mounting
10		1	Plate, Module, Mounting, 32" ♦	33	89-7682	1	Pcb Assy., Lcm/Sensor Interface
11	MOD-S4	4	Module Assy., Output □	34	363-2638	38	Fuse, .5 Amp
12	89-7711	1	Module Assy., Pump	35		1	Power Supply Assy. (See Power Supply Assembly Section) ♦
13	363-1553	1	Lug, Grounding	36	363-3216	1	Terminal Block, Socket
14		1	Screw, Machine, 1/4-20 X 1/2" ♦	37		1	Bracket, Shipping ♦
15		2	Washer, Lock, 1/4" ♦	38		2	Screw, Tap, #6, ♦
16	89-7394	1	Lock, Module	39		1	Bracket, Terminal, Scorpio ♦
17	363-1752	2	Screw, Machine, #10-32	40	89-7760		Box, Conduit, Mounting
18	89-7786	1	Pcb Assy., Buf, Back Plane	41			Cable Assy., Power Supply ♦
19	360-0498	10	Screw, Machine, 8-32 X 1/4"		360-0565		Key ●■
20		10	Washer, Lock, #8 ♦		89-7775		Lid Assy., Ped., Sst W/ Antenna (Includes Items 6-8) ●■
21		2	Spacer, #8-32, M/F ♦		89-7880		Lid, Pedestal (Non-Antenna) ●■
22		1	Heat Sink ♦		89-7882		Lid, Pedestal, Sst (Non-Antenna) ●■
23		2	Hex Nut, #8-32 ♦		89-7789		Back Plate Assy., Dr2 (Includes Items 10-24) ●■
24	360-0285	1	Screw, Machine, 6-32 X 3/8				
25	363-3236	8	Hex Nut, 5/16				
26	900-41	8	Retainer, Tube, 5/16" (Used As Spacer) □				
27	89-7771	1	Cable Assy., Output				

● SERVICE ITEMS

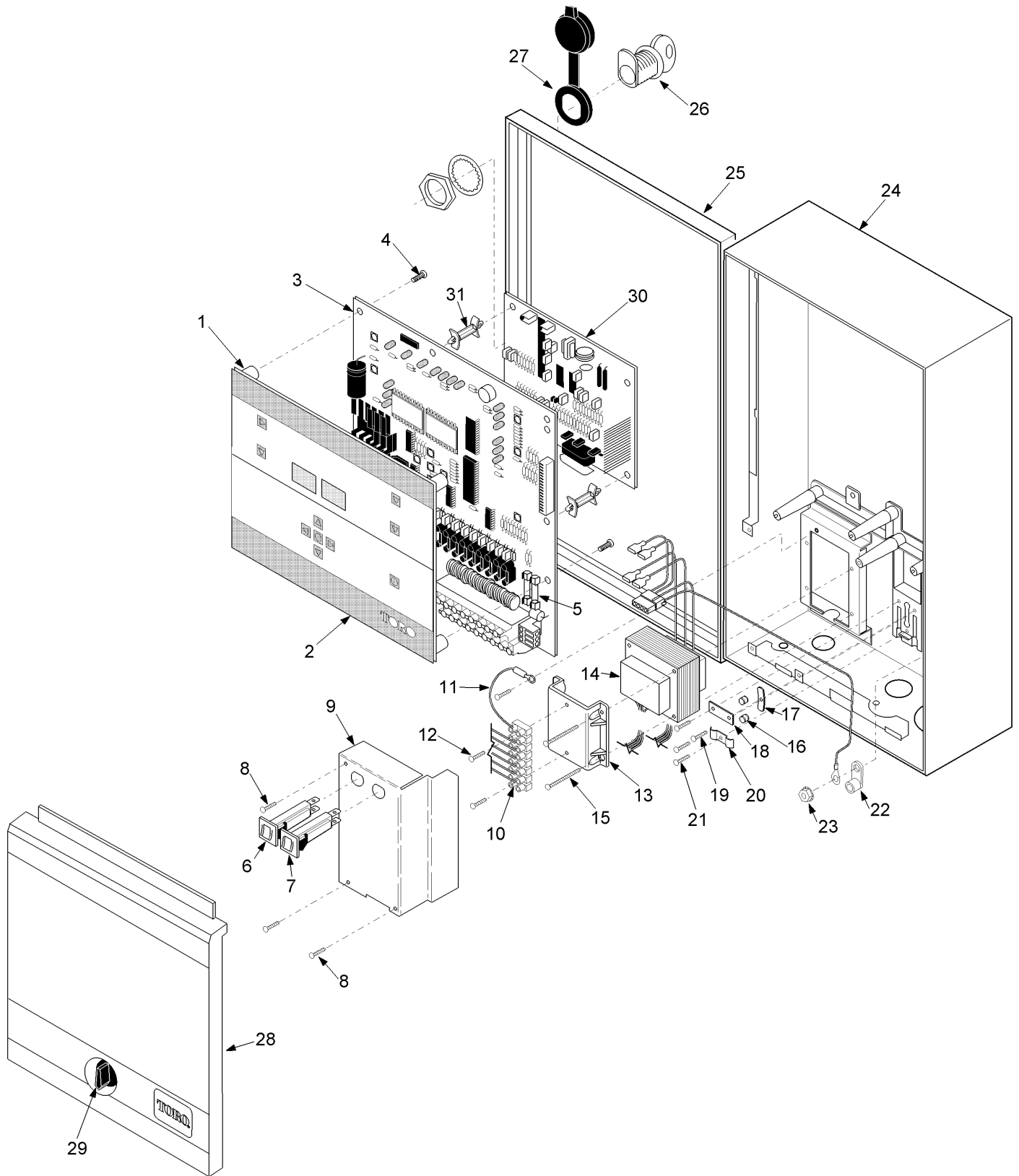
▲ (Includes Cables)

□ Order Through Finished Goods Distribution System - Minneapolis

■ Not illustrated

♦ Not serviced separately

Network LTC 1.0 Satellite - Wall Mount Cabinet



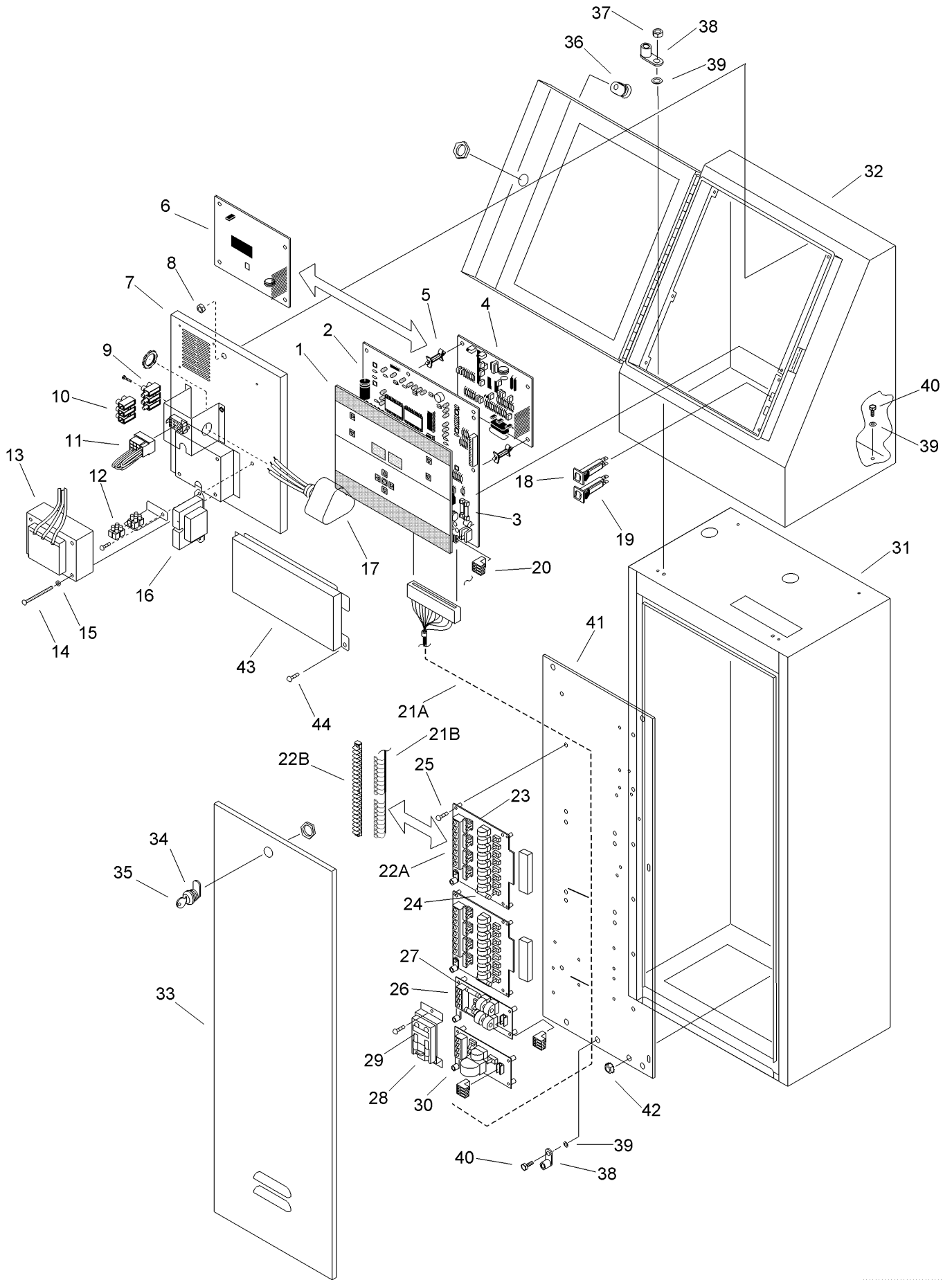
Network LTC 1.0 Satellite - Wall Mount Cabinet (continued)

<i>Ref.</i>	<i>Part Number</i>	<i>Qty.</i>	<i>Description</i>	<i>Ref.</i>	<i>Part Number</i>	<i>Qty.</i>	<i>Description</i>
1	91-0547	1	Front Plate Assy.	21	363-5255	1	Screw, Machine, #6-32
2	91-0784	1	Overlay, Ltc	22	363-1553	1	Lug, Grounding
3	91-0545	1	Pcb Assy., Ltc	23	360-0594	1	Nut-Hex
4	363-1355	5	Screw, Tap, #6	24		1	Cabinet Assy. ▲
5	363-2638	2	Fuse, .5 Amp	25		1	Door Assy. ▲
6	363-5271	1	Circuit Breaker, 0.75A	26	363-1414	1	Lock
7	363-5270	1	Circuit Breaker, 4.0A	27	9-4303	1	Cover, Lock
8	4-1063	3	Screw, Tap, #6	28	91-0782	1	Cover, Terminal
9		1	Cover, Transformer ▲	29	363-2351	1	Latch, Pawl
10	363-5219	1	Terminal Block, 8-Position	30	91-0777	1	Pcb Assy., Modem
11	91-1005	1	Wire Assy., Green/Yellow	30	91-1046	1	Pcb Assy., Vt Adapter
12	363-2033	2	Screw, Hi-Lo, #4-24	31	363-2437	4	Standoff
13	91-1030	1	Mount, Terminal Block		91-0786		Switch Actuator ■●
14	91-0919	1	Transformer Assy.		360-0565		Keys, 2 W/ Ring (Golf #1382) ■●
15	363-3103	2	Screw, Tap, #6-19 X 3/4, Phph		91-1331		Kit, Modem (Includes Items 30 & 31) ■●
16	360-0471	2	Surge Protector		91-1200		Kit, Vt Adapter (Includes Transformer And Installation Accessories) ■●
17	91-0790	1	Term. Plate, Contact		91-1213		Kit, Vt Adapter Transformer, Service ■●
18	35-7524	1	Strap				
19	363-2431	2	Screw, #6 X 1/2, Hi-Lo W/Clamp				
20	363-2271	1	Clamp, Cable				

● SERVICE ITEMS
▲ Not serviced separately

■ Not illustrated

Network LTC Satellite 1.0 - Taper-top Cabinet



Network LTC Satellite 1.0 - Taper-top Cabinet (continued)

Ref.	Part Number	Qty.	Description	Ref.	Part Number	Qty.	Description
1	91-1591	1	Front Panel Assy., Tm	31	91-1587	1	Cabinet, 30" Galvanized (Includes Items 33-35)
2	91-2337	1	Pcb Assy., Tm	31		1	Cabinet, 30" Sst (See Service Item 89-7486) ▲
3	363-2638	2	Fuse, Fast Blow, 0.5 Amp	32	91-1586	1	Cabinet, Taper Top, Galvanized (Includes Items 35 & 36)
4	91-1331	1	Pcb Assy., Ltc Modem	32		1	Cabinet, Taper Top, Sst (See Service Item 89-7486) ▲
5	363-2437	4	Standoff, Dual Locking	33		1	Door, Cabinet, 30" Galvanized (See Service Item 89-7485) ▲
6	91-1046	1	Pcb Assy., Vt Adapter	33		1	Door, Cabinet, 30" Sst (See Service Item 89-7486) ▲
7		1	Backplate, Upper ▲	34	363-5369	1	Lock Assy., W/Keys, Door (Includes Item 35)
8	363-1752	1	Nut, Hex, Locking	35	360-0565	1	Keys, Two W/ Ring (Golf #1382)
9	363-3215	1	Terminal Block, Plug, 3-Position	36		1	Lock Assy W/ Keys, Cabinet, Taper Top (Includes Item 35) ▲
10	363-3216	1	Terminal Block, Socket, 3-Position	37	360-0594	1	Nut, 1/4-20
11		4	Power Connector ▲	38	363-1553	2	Lug, Grounding
12	363-3230	1	Terminal Block, Plug, 2-Position	39	363-1623	6	Washer, Lock
13	91-1636	1	Transformer	40	360-0595	4	Screw, Machine, 1/4-20 X 1/2"
14	363-3205	4	Screw, #8-32 X 1.5"	41	91-1441	1	Mounting Plate, Rear
15	360-0600	4	Washer, Lock, Ext T	42	363-3236	4	Hex Nut, 5/16"
16	363-1740	1	Transformer (Vt)	43		1	Cover, Access ▲
17	363-3202	1	Surge Protector	44	1-3076	2	Screw, Machine
18	363-5271	1	Circuit Breaker, 0.75 Amp		91-1593		Timing Mechanism Assy. (Includes Items 1-3) ●■
19	363-5270	1	Circuit Breaker, 4.0 Amp		89-7485		Cabinet Assy., Galvanized (Includes Items 31-40) ●■
20	363-2231	1	Connector, 3-Pin, Female		89-7486		Cabinet Assy., Sst (Includes Items 31-40) ●■
21A	91-1641	1	Cable Assy., Surge				
21B	91-1639	1	Cable Assy., Non-Surge				
22A	91-1957	2	Pcb, Surge Protection, 8-Station				
22B	363-3200	1	Terminal Block, 20-Position				
23	360-0471	16	Surge Protector (Pill)				
24	363-1222	2	Fuse, 3 Amp, Slow-Blow				
25	363-5362	16	Screw, Tap				
26	91-1307	1	Pcb Assy., Surge Protection, Communication				
27	363-2638	2	Fuse, Fast Blow, 0.5 Amp				
28	35-8833	1	Bracket Assembly, Communication				
29	360-0471	2	Surge Protector (Pill)				
30	91-1305	1	Pcb Assy., Surge Protection, Pump/Com				

● SERVICE ITEMS
▲ Not serviced separately

■ Not illustrated

Network LTC Satellite 2.0 - Metal Cabinet (1 of 3) (continued)

Ref.	Part Number	Qty.	Description	Ref.	Part Number	Qty.	Description
1	89-7708	1	Timing Mechanism Assy., Ltc 2.0	30	89-7680	1	Modem Assy., Ltc/Vt Adapter, 2.0
2	360-0285	4	Screw, Machine, 6-32 X 3/8	31	102-3819	2	Fuse, 0.75 Amp (10-Pack)
3	89-7983	1	Pedestal Assy. 13 X 13 Sst (Includes Items 3-8)	32	91-1307	1	Pcb Assy., Surge Protection, Communication
4		1	Lid Assy., Pedestal (See Item 89-7983) ▲	33	363-5362	4	Screw, Tap, #6
5		2	Door Assy., Pedestal (See Item 89-7983) ▲	34	91-1405	1	Cable Assy., Comm.
6	363-5369	2	Lock Assy., Door	35	35-8833	1	Bracket Assembly, Com Cable
7	9-1695	1	Lock Assy., Lid	36		1	Power Supply (See Power Supply Assembly Section) ▲
8	89-6730	1	Back Plate, Module	37	363-3216	1	Terminal Block, Socket
9	MOD-S4	4	Module Assy., Output ◆	38		1	Screw, Tap, 10-32 X 3/8" ▲
10	89-7711	1	Module Assy., Pump	39	363-1553	1	Lug, Grounding
11	89-7710	1	Back Plane Pcb Assy.	40		1	Screw, Machine, 1/4-20 X 1/2" ▲
12	360-0498	10	Screw, Machine, 8-32 X 1/4"	41		1	Washer, Lock, Internal Tooth, 1/4" ▲
13		10	Washer, Lock, #8 ▲	42		8	Nut, 5/16-20 ▲
14	363-1553	1	Lug, Grounding		360-0565		Keys, Two W/ Ring (Golf #1382) ●■
15		1	Screw, Machine, 1/4-20 X 1/2" ▲		89-7701		Modem Assy., Universal, Service ■●
16		1	Washer, Lock, Internal Tooth, 1/4" ▲		89-7709		Back Plate Assy. W/ Output Modules (Includes Items 8-18) ●■
17	89-7394	1	Lock, Module		89-7705		Back Plate Assy. W/Power Supply (Includes Items 24-42) ●■
18		2	Screw, Machine, 10-32 ▲		363-2200		Battery, 3.9V ■●
19	89-7706	1	Cable Assy., Output Module		89-7172		Eprom Rev. 2.5 ■●
20	35-6328	1	Cable Assy., Modem		89-8118		2.5 Upgrade Kit (Includes 2.5 Eprom, Installation Instructions, And Faceplate Decal) ◆■●
21	89-7707	1	Cable Assy., Power To Tm				
22	89-7335	1	Cable Assy., Power Supply				
23	35-6394	1	Label, Station				
24	89-6944	1	Back Plate, Power Supply				
25	35-7288	1	Clip, Grounding				
26	1-3082	1	Screw, Machine, #4-40 X 1/2", Electric				
27	35-8570	1	Bracket, Modem				
28	35-8704	1	Bracket, Retainer, Lower				
29	363-5072	5	Screw, Tap, #6				
30	89-7852	1	Modem Assy., Standard (Includes Item 31)				

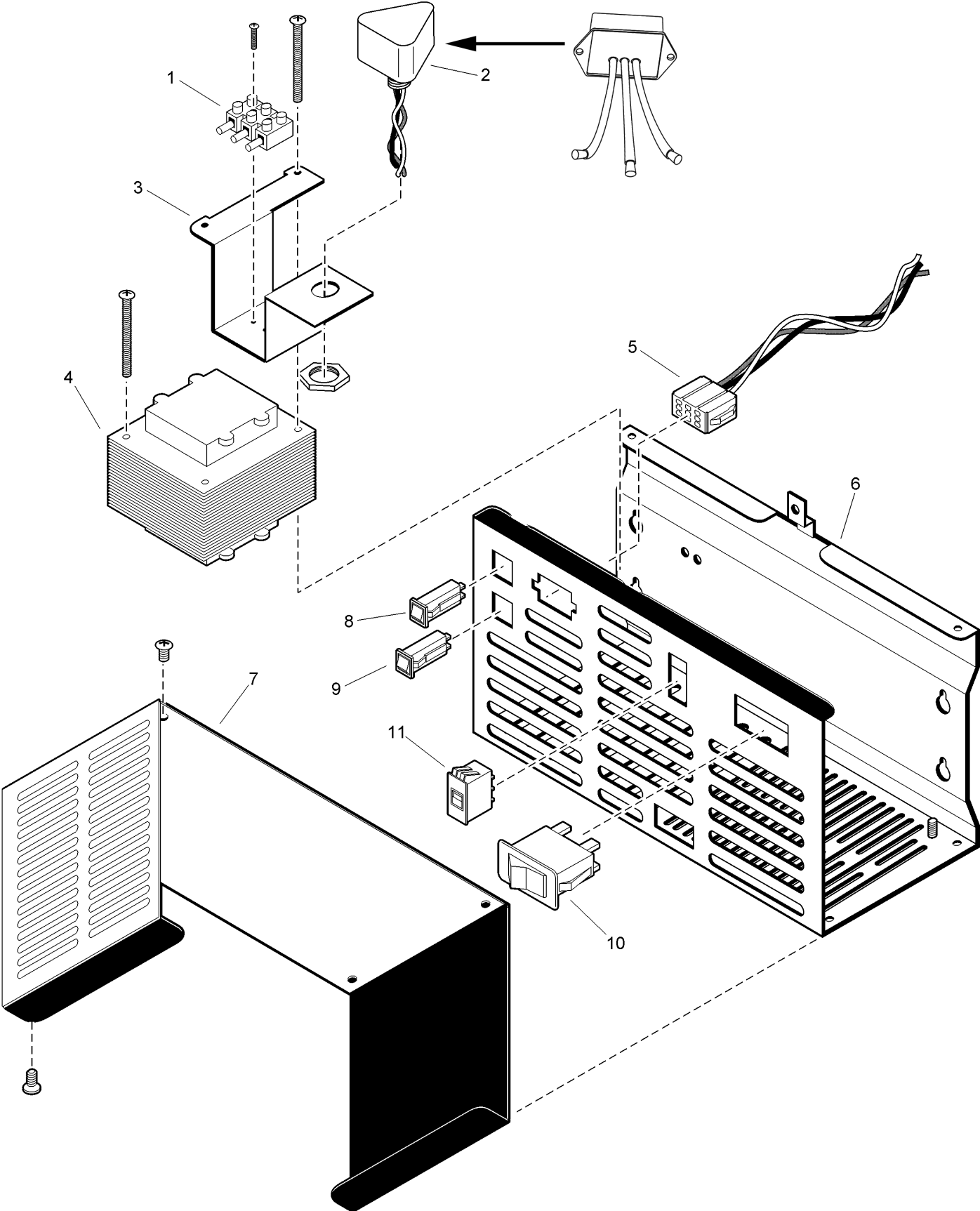
● SERVICE ITEMS

▲ Not serviced separately

◆ Order Through Finished Goods Distribution System - Minneapolis

■ Not illustrated

Network LTC Sat. 2.0, Network DR2 PS Assy (3 of 3)



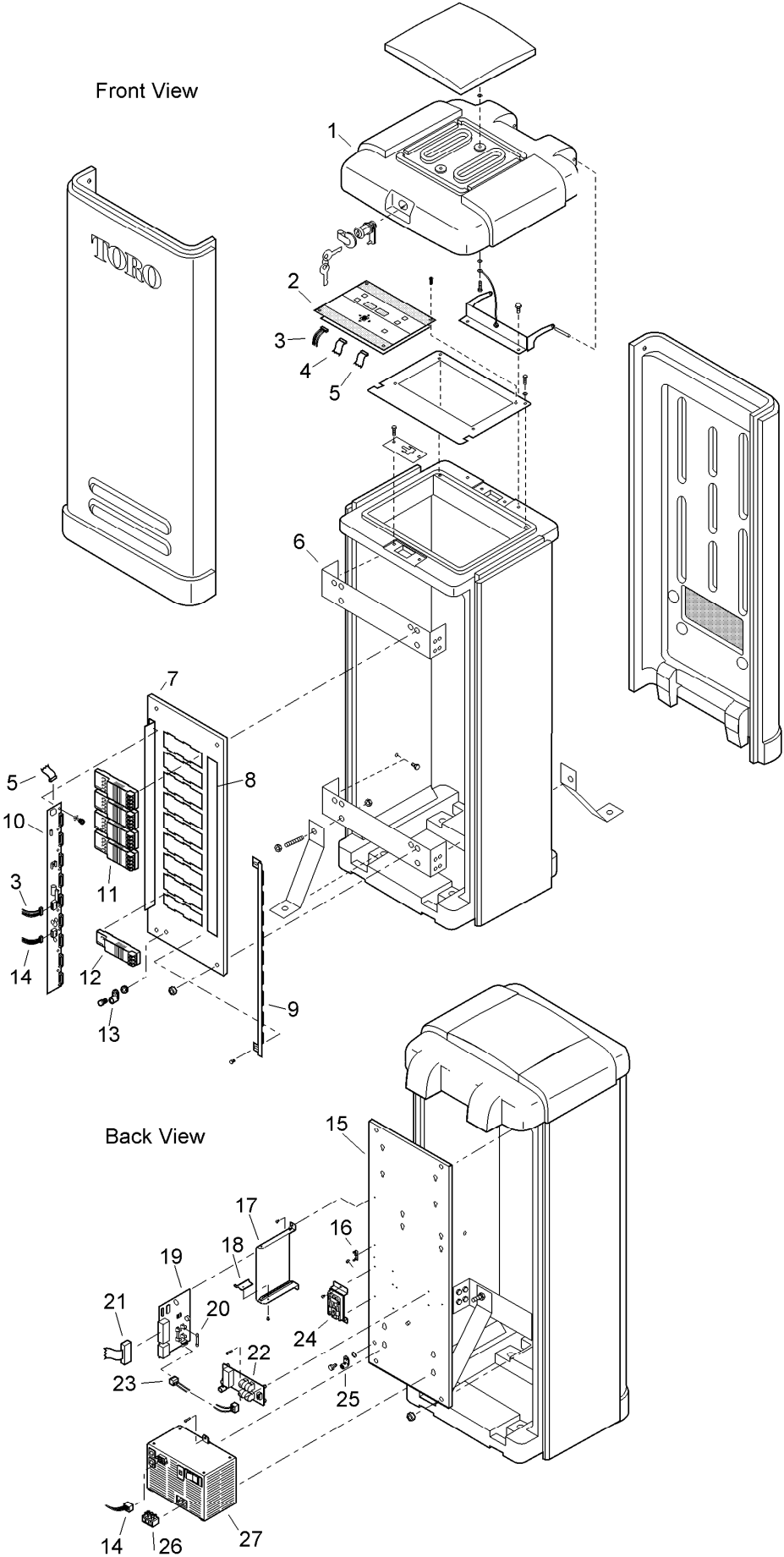
Network LTC Sat. 2.0, Network DR2 PS Assy (3 of 3) (continued)

<i>Ref.</i>	<i>Part Number</i>	<i>Qty.</i>	<i>Description</i>	<i>Ref.</i>	<i>Part Number</i>	<i>Qty.</i>	<i>Description</i>
1	363-3215	1	Terminal Block, Plug, 3-Position	9	363-5270	1	Circuit Breaker, 4.0 Amp
2	118-0589SK	1	Surge Protector (Replaces Older Model)	10	363-3361	1	Switch, Circuit Breaker, 1.5A
3		1	Bracket, Surge ▲	11	102-0648	1	Slide Switch 115/230V A.C. Selection (Ltc Only)
4	89-7334	1	Transformer Assembly, Ltc 2.0		89-7702		Power Supply Assy., Svc., Ltc 2.0 (Includes Items 1-11) ● ■
4	89-7767	1	Transformer Assembly, Dr2		89-7766		Power Supply Assy., Svc., Network Dr2 (Early Production Models) (Includes Items 1-10) ● ■
5		1	Socket, 9-Pin ▲				
6		1	Case, Power Supply ▲				
7		1	Cover, Power Supply ▲				
8	363-3467	1	Circuit Breaker, 2.0 Amp				

● SERVICE ITEMS
▲ Not serviced separately

■ Not illustrated

Network LTC Satellite 2.0 - Plastic Cabinet (2 of 3)



Network LTC Satellite 2.0 - Plastic Cabinet (2 of 3) (continued)

<i>Ref.</i>	<i>Part Number</i>	<i>Qty.</i>	<i>Description</i>	<i>Ref.</i>	<i>Part Number</i>	<i>Qty.</i>	<i>Description</i>
1		1	Satellite Plastic Pedestal & Components (See Satellite Plastic Pedestal And Components Section) ▲	18	35-8704	1	Bracket, Retainer, Lower
2	89-7708	1	Timing Mechanism Assy., Ltc 2.0	19	89-7852	1	Modem Assy., Standard, Service
3	89-7707	1	Cable Assy., Power To Tm	20	102-3819	2	Fuse, 0.75 Amp (10-Pack)
4	35-6328	1	Cable Assy., Modem	21	35-6328	1	Cable Assy., Modem
5	89-7057	1	Cable Assy., Output Module	22	91-1307	1	Pcb Assy., Surge Protection, Communication
6		2	Bracket ▲	23	91-1405	1	Cable Assy., Comm.
7	89-6730	1	Back Plate, Module	24	35-8833	1	Bracket Assembly, Com Cable
8	35-6394	1	Label, Station	25	363-1553	1	Lug, Grounding
9	89-7394	1	Lock, Module	26	363-3216	1	Terminal Block, Socket
10	89-7710	1	Back Plane Pcb Assy.	27		1	Power Supply Assy. (See Power Supply Assembly Section) ▲
11	MOD-S4		Module Assy., Output ♦				
12	89-7711	1	Module Assy., Pump		363-2200		Battery, 3.9 Volt, Lithium ■●
13	363-1553	1	Lug, Grounding		89-7172		Eprom Rev. 2.5 ■●
14	89-7335	1	Cable Assy., Power Supply		89-8118		2.5 Upgrade Kit (Includes Eprom, Installation Instructions, And Faceplate Decal) ♦■●
15	89-6944	1	Back Plate, Power Supply				
16	35-7288	1	Clip, Ground				
17	35-8570	1	Bracket, Modem				

● SERVICE ITEMS

▲ Not serviced separately

♦ Order Through Finished Goods Distribution System - Minneapolis

■ Not illustrated

Network LTC Plus Sat. - Internal Components (continued)

Ref.	Part Number	Qty.	Description	Ref.	Part Number	Qty.	Description
1	102-0794	1	Timing Mechanism Assembly (Includes Items 1, 3, 4 & 6) ●	32	363-1623	4	Washer, Lock
2	89-9026	1	Modem, Standard (Includes Items 2-5) ●	33		5	Hex Nut, #8-32 W/External Tooth Lock Washer ▲
3		4	Standoff, Hex 1/4" X 1.5" ▲	34	360-0600	1	Washer, Lock, Ext T
4	1-3078	4	Screw, Machine, #6-32 X 1/4"	35			Wire Assy., Ground, 14 Awg X 8" (See Service Item 89-9049) ▲
5	89-9043	1	Cable Assy., Ribbon, Timing Mechanism To Modem	36		1	Wire Assy., Ground, 14 Awg X 10.5" (See Service Item 89-9049) ▲
6	89-9042	1	Cable Assy., Ribbon, Timing Mechanism To Distribution Board	37		1	Wire Assy., Ground, 14 Awg X 13" (See Service Item 89-9049) ▲
7	89-9041	1	Cable Assy., 2-Wire, Timing Mechanism Power	38		1	Cable Assy., Modem To Terminal Block (See Service Item 89-9044) ▲
8	89-9027	2	Frame, Black Plastic Assy. (Includes Item 22)	39		1	Cable Assy., Modem To Surge Board (See Service Item 89-9044) ▲
9		1	Bracket, Reinforce (Plastic Cabinet Models Only) ▲	40	89-9045	1	Cable Assy., 4-Wire Jumper
10	360-0140	4	Washer-Flat	41	89-9046	1	Cable Assy., 4-Wire, Shielded
11	360-0595	8	Screw, Machine, 1/4-20 X 1/2"	42	89-9047	1	Cable Assy., 2-Wire, Pump/Com Board To Surge Board
12	102-0803	1	Cable Assy., Ribbon, 12-Pin (Pump/Common To Distribution)	43	89-9048	1	Cable Assy., Ribbon, Jumper
13	102-0802	4	Cable Assy., Ribbon, 16-Pin (8-Station Output To Distribution)	44	102-5940SK		Kit, Station Labels, Numbered, Plastic ◆
14	363-1355		Screw, Tap, #6 ◆	45		1	Satellite Plastic Pedestal (See Satellite Plastic Pedestal Section) ▲
15	102-0793	1	Parallel Distribution Board (Includes Item 14) ●	46		1	Radio Assembly (See Network Ltc Plus Radio Assembly Section) ▲
16	102-0796	1	Output Module, 8-Station Svc. (Includes Items 4, 13, & 14) ◆●□		89-9027		Frame, Black Plastic Assy. (Includes Item 22) ●■
17		2	Retainer ▲		89-9033		16-Station Output Board W/O Surge Pills Or Switches (Includes Item 14) □●■
18	363-5083	2	Washer, Brass		89-9034		16-Station Output Board W/Switches (Includes Item 14) □●■
19	102-0795	1	Pump/Com Module Svc. (Includes Items 12, 14, 17, 18, & 19) ●□		89-9035		16-Station Output Board W/Surge Pills (Includes Item 14) □●■
20			16-Station Output Board (See Services Items 89-9033 To 89-9039) ▲		89-9036		16-Station Output Board W/Surge Pills Or Switches (Includes Item 14) □●■
21	89-9032		Connector, Terminal Block, 8-Station ◆		89-9044		Cable Assy. Svc., Surge To Modem & Surge To Terminal Block (Includes Items 37 & 38) ●■
22	363-3587	2	Screw, Tap, #8 X 1.5"				
23	363-3603	4	Standoff, Hex, 5/16" X 1"				
24	360-0285	8	Screw, Machine, 6-32 X 3/8				
25	363-2638	4	Fuse, 0.5 Amp, 250V ●				
26	363-2635	4	Fuse, 7.5 Amp, 250V ●				
27	118-1448SK	1	Pump/Common/Communication Surge Board (Includes Items 23, 24, & 27) □●				
28	360-0136	1	Screw, Tap, #8				
29	4-1063	2	Screw, Tap, #6				
30	363-3574	1	Terminal Block, 2-Position				
31	102-0645	1	Power Supply Assy. (See Power Supply Assembly.)				

● SERVICE ITEMS

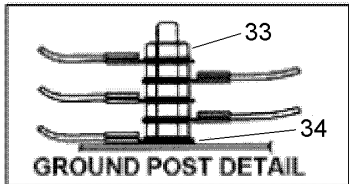
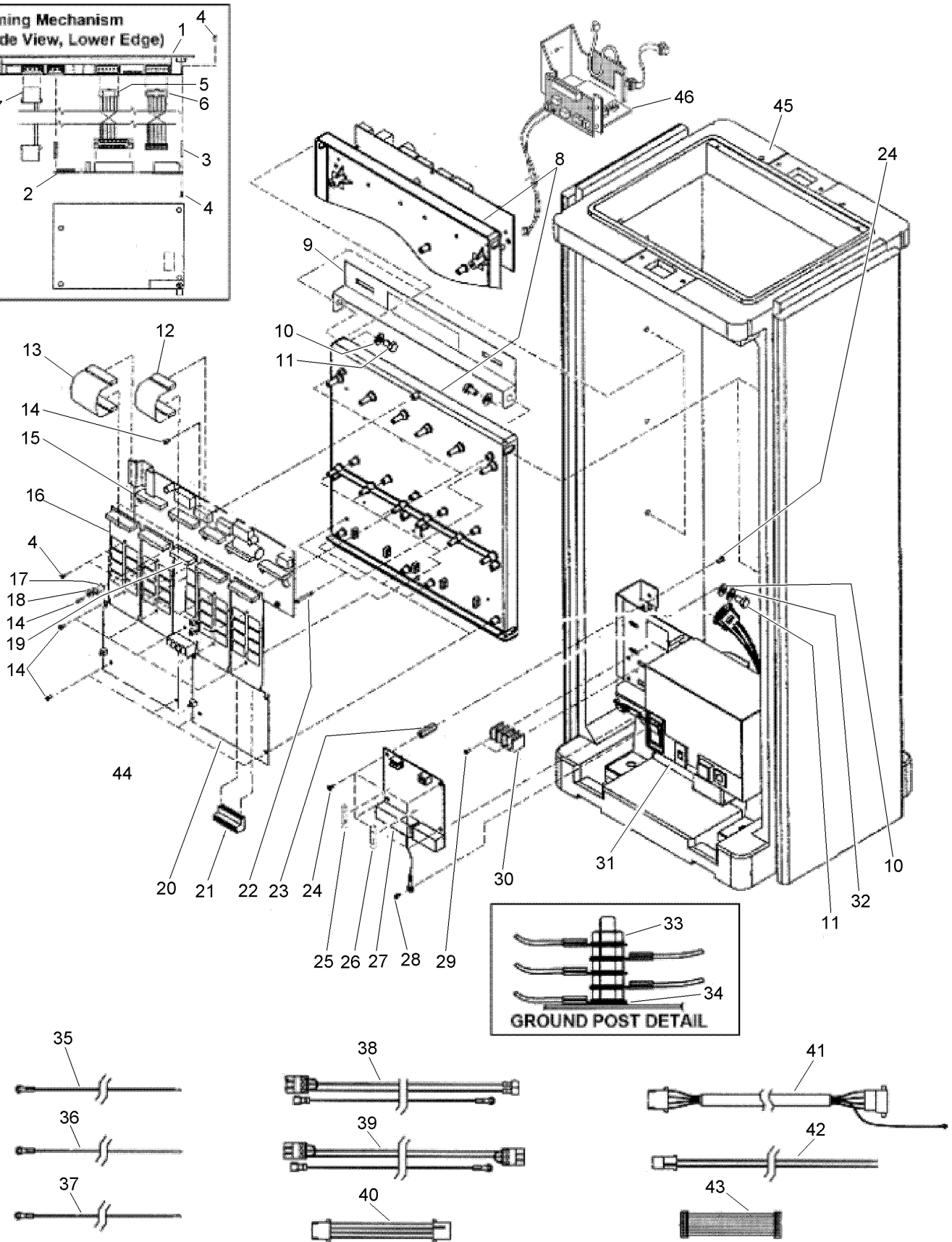
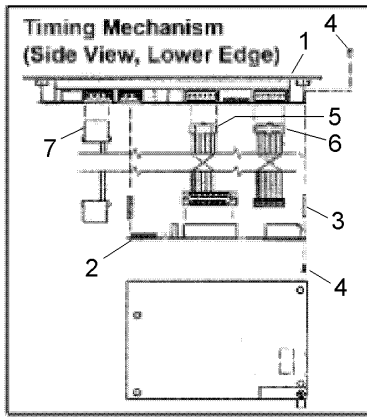
▲ Not serviced separately

□ Order Through Finished Goods Distribution System - Minneapolis

■ Not illustrated

◆ Quantity Varies With Model

Network LTC Plus Sat. - Internal Components (continued)

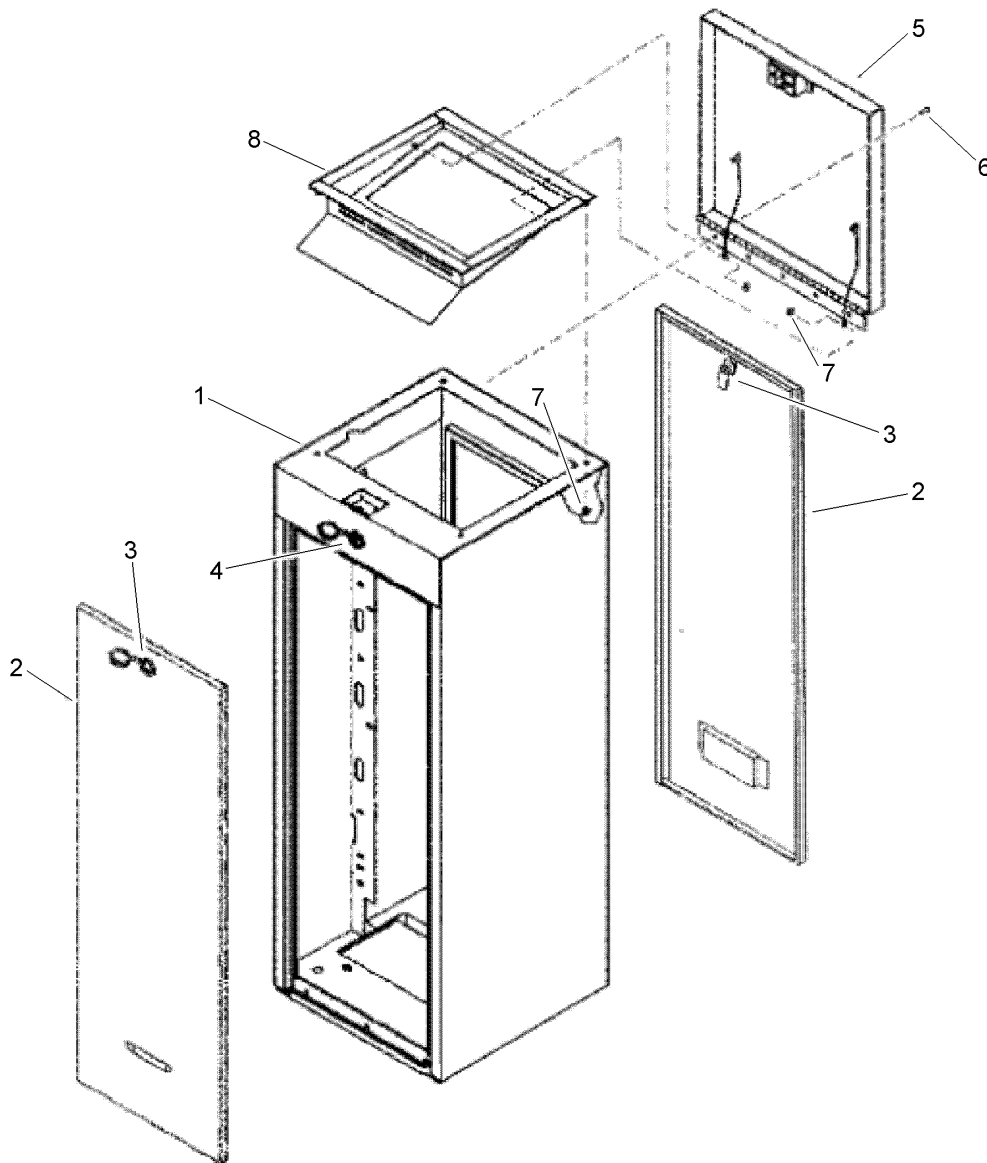


Network LTC Plus Sat. - Internal Components (continued)

- SERVICE ITEMS
- ▲ Not serviced separately
- Order Through Finished Goods Distribution System - Minneapolis

- Not illustrated
- ◆ Quantity Varies With Model

Network LTC Plus Satellite 4.0, Metal Cabinet



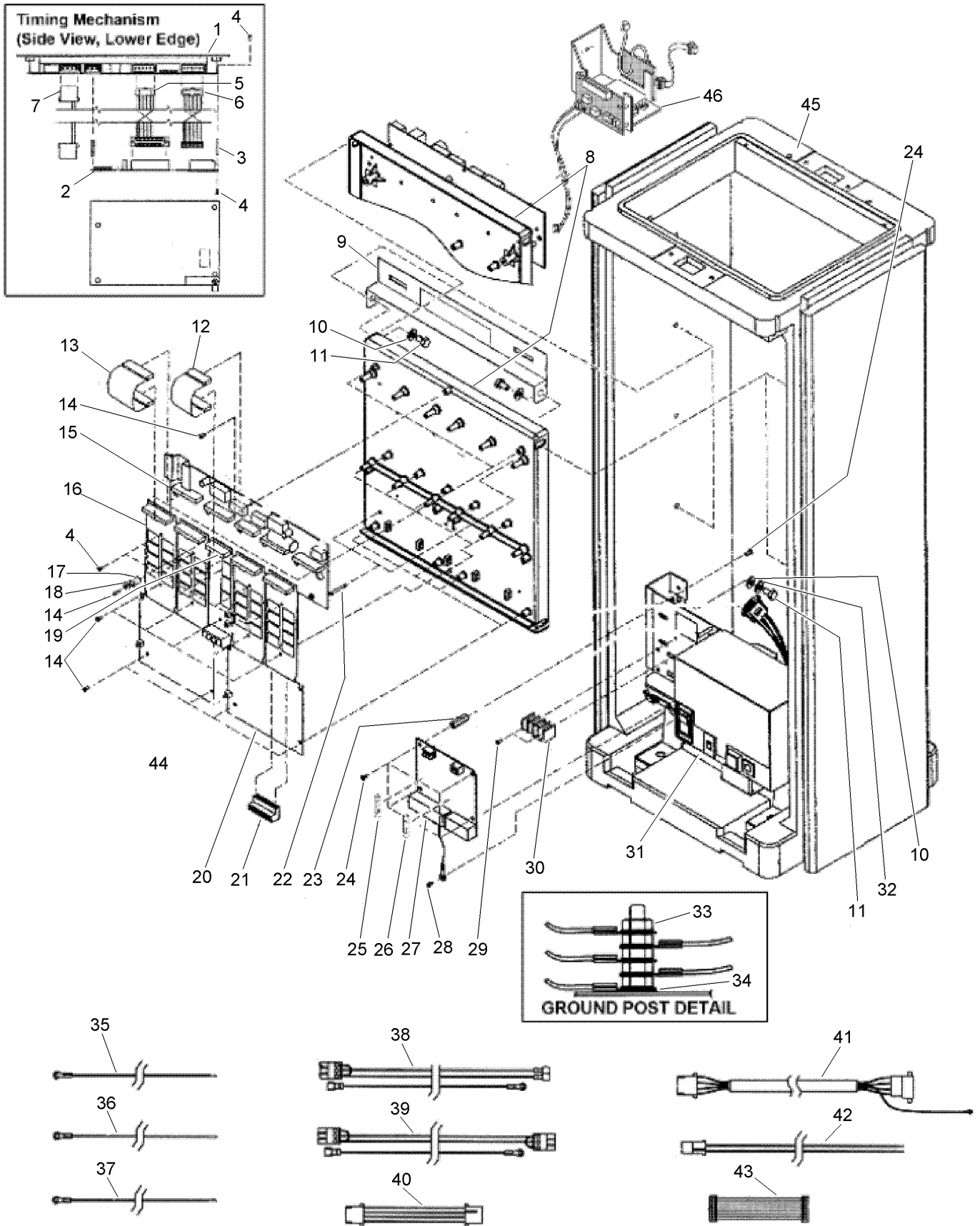
Network LTC Plus Satellite 4.0, Metal Cabinet (continued)

<i>Ref.</i>	<i>Part Number</i>	<i>Qty.</i>	<i>Description</i>	<i>Ref.</i>	<i>Part Number</i>	<i>Qty.</i>	<i>Description</i>
1	102-0702	1	Base, Pedestal Green, Sst W/Lock Assy, Svc. (Includes Item 4, Cover & Keys) ●	5	102-0703	1	Cover, Pedestal Green, Sst
2	102-0704	2	Door, Pedestal, Green, Sst, Service (Includes Item 3, Lock Cover & Keys) ●	6	363-3438	5	Screw, #10-32 X 3/4", Sst
3	102-0714	2	Lock Kit, Door, And Keys, Service ●	7	363-1752	4	Hex Nut, #10-32, Sst
4	102-0705	2	Lock Kit, Cover And Keys, Service ●	8	102-0684	1	Mount, Timing Mechanism, Sst
					360-0565		Keys, Two W/ Ring (Golf #1382) ● ■
					89-8294		Pedestal Assy., Green, Sst, Service (Includes Items 1-7) ● ■

● SERVICE ITEMS

■ Not illustrated

Network LTC Plus Sat. - Internal Components



Network LTC Plus Sat. - Internal Components (continued)

Ref.	Part Number	Qty.	Description	Ref.	Part Number	Qty.	Description
1	102-0794	1	Timing Mechanism Assembly (Includes Items 1, 3, 4 & 6) ●	32	363-1623	4	Washer, Lock
2	89-9026	1	Modem, Standard (Includes Items 2-5) ●	33		5	Hex Nut, #8-32 W/External Tooth Lock Washer ▲
3		4	Standoff, Hex 1/4" X 1.5" ▲	34	360-0600	1	Washer, Lock, Ext T
4	1-3078	4	Screw, Machine, #6-32 X 1/4"	35			Wire Assy., Ground, 14 Awg X 8" (See Service Item 89-9049) ▲
5	89-9043	1	Cable Assy., Ribbon, Timing Mechanism To Modem	36		1	Wire Assy., Ground, 14 Awg X 10.5" (See Service Item 89-9049) ▲
6	89-9042	1	Cable Assy., Ribbon, Timing Mechanism To Distribution Board	37		1	Wire Assy., Ground, 14 Awg X 13" (See Service Item 89-9049) ▲
7	89-9041	1	Cable Assy., 2-Wire, Timing Mechanism Power	38		1	Cable Assy., Modem To Terminal Block (See Service Item 89-9044) ▲
8	89-9027	2	Frame, Black Plastic Assy. (Includes Item 22)	39		1	Cable Assy., Modem To Surge Board (See Service Item 89-9044) ▲
9		1	Bracket, Reinforce (Plastic Cabinet Models Only) ▲	40	89-9045	1	Cable Assy., 4-Wire Jumper
10	360-0140	4	Washer-Flat	41	89-9046	1	Cable Assy., 4-Wire, Shielded
11	360-0595	8	Screw, Machine, 1/4-20 X 1/2"	42	89-9047	1	Cable Assy., 2-Wire, Pump/Com Board To Surge Board
12	102-0803	1	Cable Assy., Ribbon, 12-Pin (Pump/Common To Distribution)	43	89-9048	1	Cable Assy., Ribbon, Jumper
13	102-0802	4	Cable Assy., Ribbon, 16-Pin (8-Station Output To Distribution)	44	102-5940SK		Kit, Station Labels, Numbered, Plastic ◆
14	363-1355		Screw, Tap, #6 ◆	45		1	Satellite Plastic Pedestal (See Satellite Plastic Pedestal Section) ▲
15	102-0793	1	Parallel Distribution Board (Includes Item 14) ●	46		1	Radio Assembly (See Network Ltc Plus Radio Assembly Section) ▲
16	102-0796	1	Output Module, 8-Station Svc. (Includes Items 4, 13, & 14) ◆●□		89-9027		Frame, Black Plastic Assy. (Includes Item 22) ●■
17		2	Retainer ▲		89-9033		16-Station Output Board W/O Surge Pills Or Switches (Includes Item 14) □●■
18	363-5083	2	Washer, Brass		89-9034		16-Station Output Board W/Switches (Includes Item 14) □●■
19	102-0795	1	Pump/Com Module Svc. (Includes Items 12, 14, 17, 18, & 19) ●□		89-9035		16-Station Output Board W/Surge Pills (Includes Item 14) □●■
20			16-Station Output Board (See Services Items 89-9033 To 89-9039) ▲		89-9036		16-Station Output Board W/Surge Pills Or Switches (Includes Item 14) □●■
21	89-9032		Connector, Terminal Block, 8-Station ◆		89-9044		Cable Assy. Svc., Surge To Modem & Surge To Terminal Block (Includes Items 37 & 38) ●■
22	363-3587	2	Screw, Tap, #8 X 1.5"				
23	363-3603	4	Standoff, Hex, 5/16" X 1"				
24	360-0285	8	Screw, Machine, 6-32 X 3/8				
25	363-2638	4	Fuse, 0.5 Amp, 250V ●				
26	363-2635	4	Fuse, 7.5 Amp, 250V ●				
27	118-1524SK	1	Pump/Common/Communication Surge Board (Includes Items 23, 24, & 27)				
28	360-0136	1	Screw, Tap, #8				
29	4-1063	2	Screw, Tap, #6				
30	363-3574	1	Terminal Block, 2-Position				
31	102-0645	1	Power Supply Assy. (See Power Supply Assembly.)				

● SERVICE ITEMS

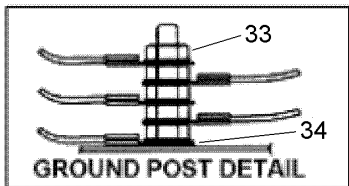
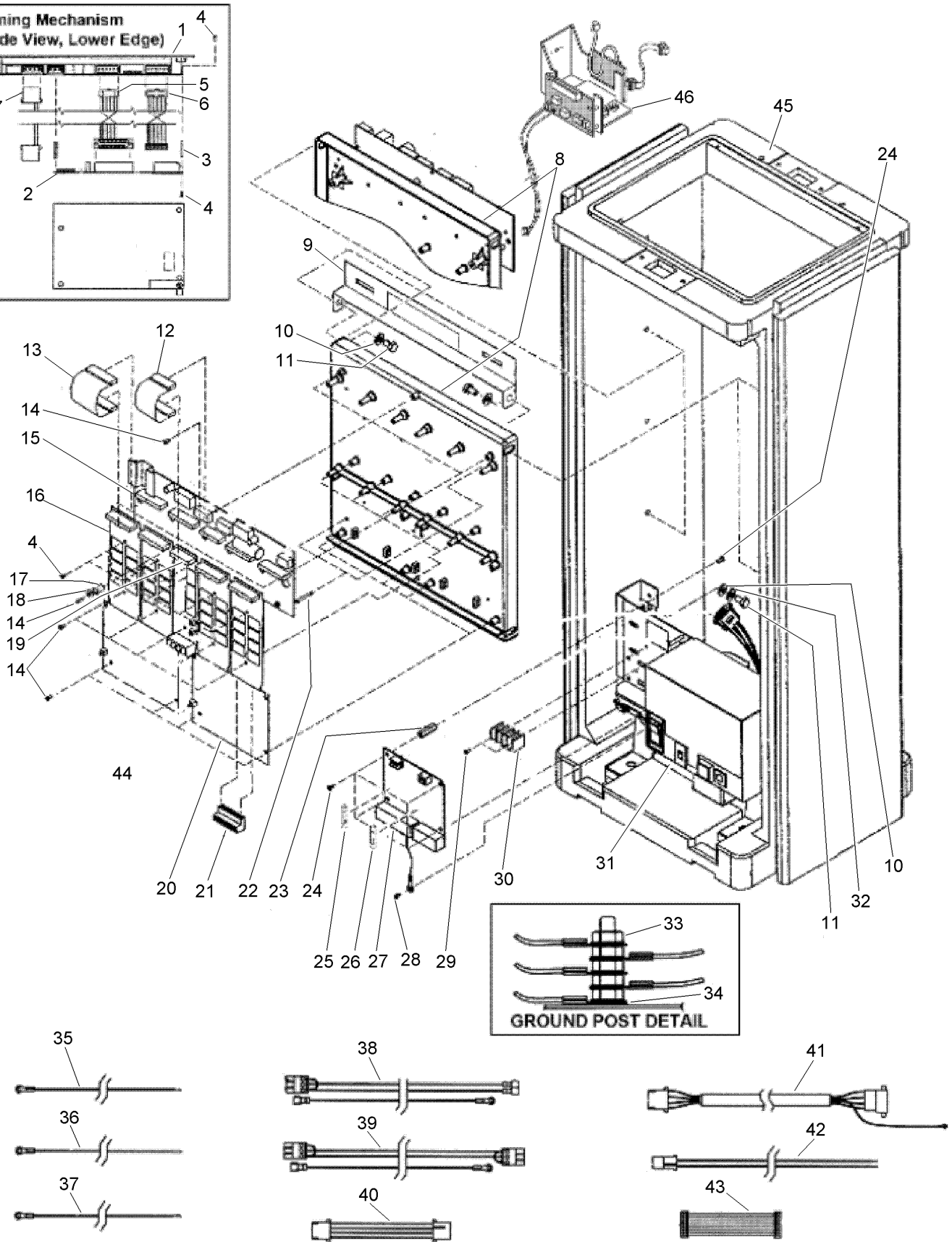
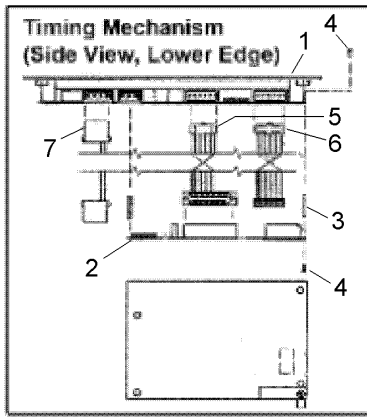
▲ Not serviced separately

□ Order Through Finished Goods Distribution System - Minneapolis

■ Not illustrated

◆ Quantity Varies With Model

Network LTC Plus Sat. - Internal Components (continued)

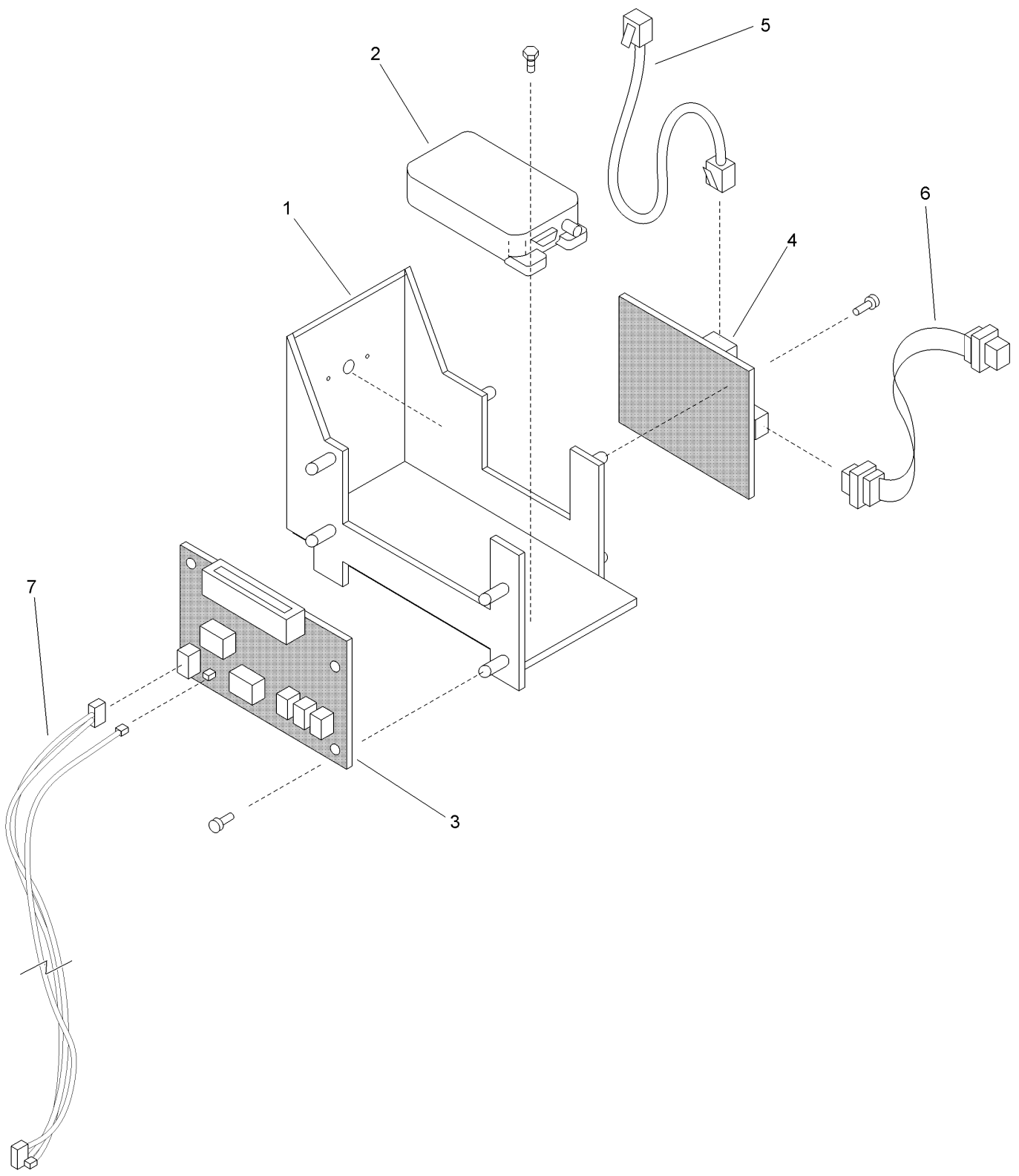


Network LTC Plus Sat. - Internal Components (continued)

- SERVICE ITEMS
- ▲ Not serviced separately
- Order Through Finished Goods Distribution System - Minneapolis

- Not illustrated
- ◆ Quantity Varies With Model

Network LTC Plus Radio Assembly



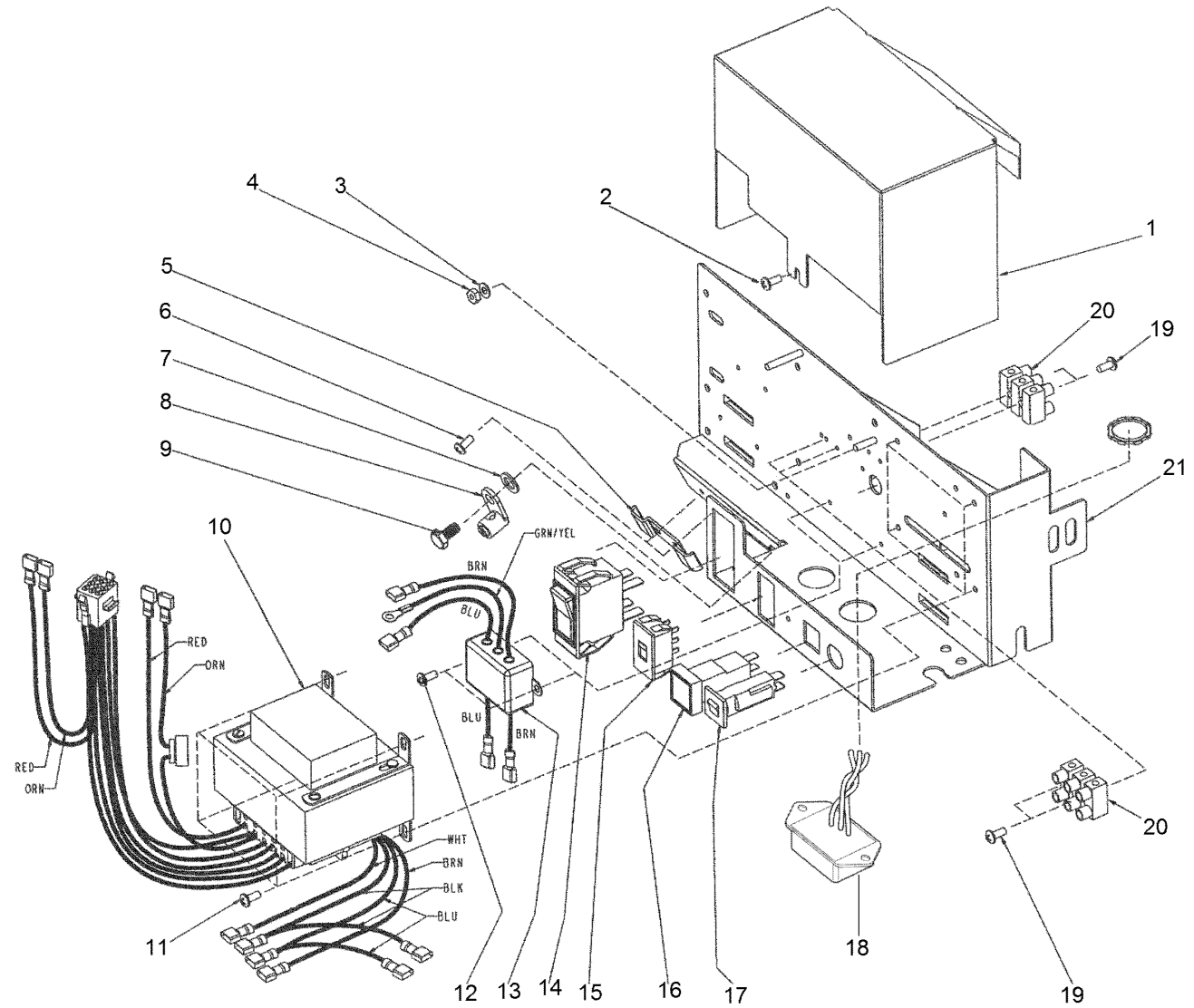
Network LTC Plus Radio Assembly (continued)

<i>Ref.</i>	<i>Part Number</i>	<i>Qty.</i>	<i>Description</i>	<i>Ref.</i>	<i>Part Number</i>	<i>Qty.</i>	<i>Description</i>
1		1	Bracket, Radio Assy. (Uhf Models Only) ●	5	363-3619SK	1	Rj-45 Cable Assy. (Uhf Models Only) ■
2	363-4638SK	1	Maxon Radio (Uhf Models Only)(See Service Item 363-4638)	6	102-3257SK	1	Db-9 Cable Assy. (Uhf Models Only) ■
3	89-7701	1	Universal Modem (Uhf Models Only) ■	7		1	Cable Assy., Modem To Surge Board (Uhf Models Only) ●
4	102-3125SK	1	Radio Interface Board (Uhf Models Only) ■				

● Not serviced separately

■ Order Through Finished Goods Distribution System - Minneapolis

N. LTC Plus, Power Supply, Early Model



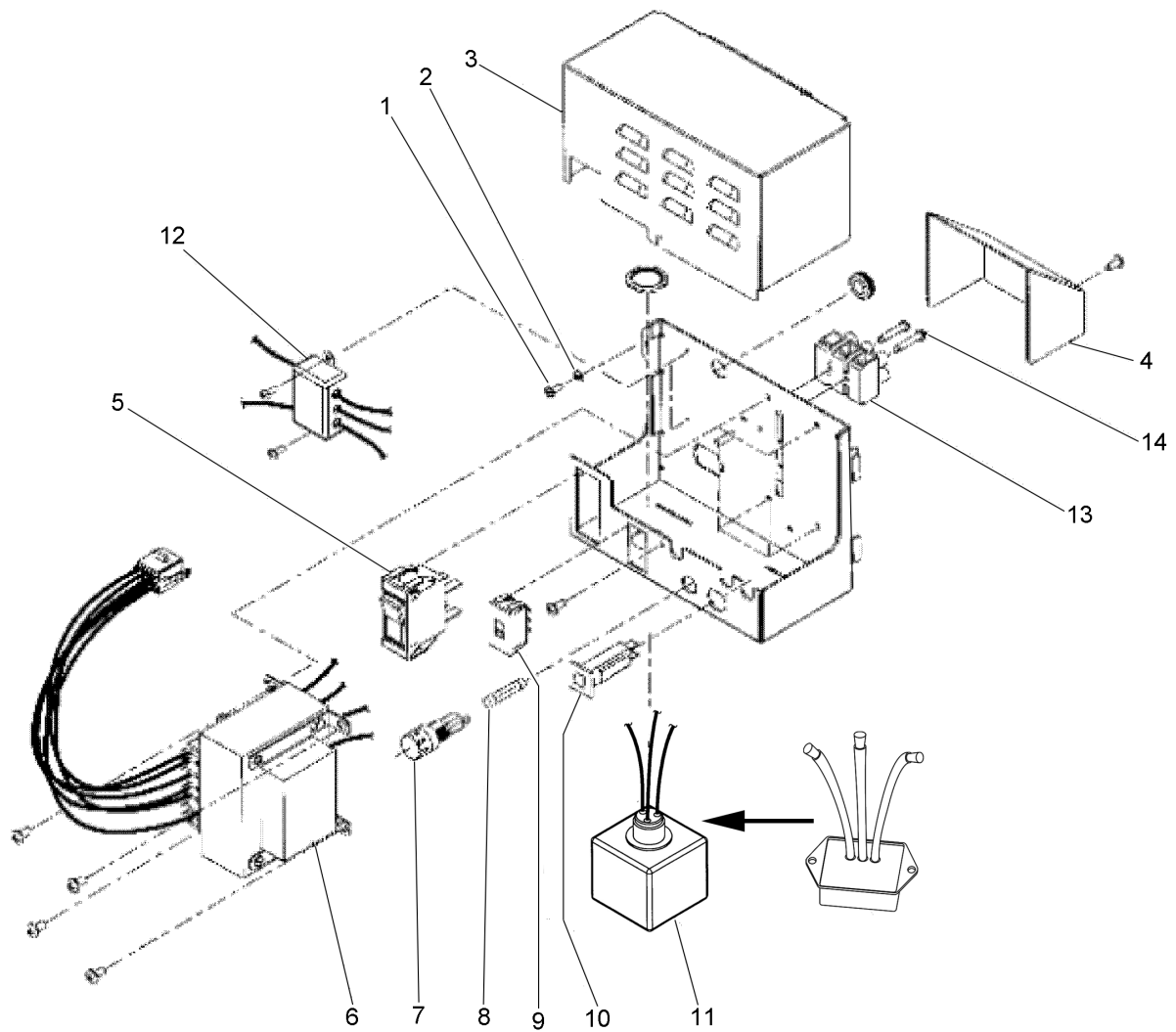
N. LTC Plus, Power Supply, Early Model (continued)

<i>Ref.</i>	<i>Part Number</i>	<i>Qty.</i>	<i>Description</i>	<i>Ref.</i>	<i>Part Number</i>	<i>Qty.</i>	<i>Description</i>
1	102-0800	1	Cover, Power Supply, Svc. ●	15	102-0648	1	Slide Switch 115/230V
2	360-0136	1	Screw, Tap, #8	16	102-0788	1	3.2A Fuse Holder Assy.
3	360-0600	1	Washer, Lock, Ext T	17	102-0651	1	Circuit Breaker, 4.0 Amp
4		1	Nut, Hex, #8-32 ▲	18	118-0538SK	1	Toro Transient Filter, Ttf
5		1	Clamp, Com Cable ▲	19	360-0297	4	Screw, #6 X 3/4"
6	1-6051	1	Screw	20	102-0792	2	Terminal Block, 3-Position, Svc. (Includes Item 19) ●
7	363-1623	1	Washer, Lock	21	102-0801	1	Plate, Transformer Mounting, Svc. ●
8	363-1553	1	Lug, Grounding		102-0650	10	Fuse, 3.2 Amp, Slow-Blow (10-Pack) ●■
9	360-0595	1	Screw, Machine, 1/4-20 X 1/2"		89-9037	1	Power Supply Assembly, W/O Surge (Includes 1-17 And 19-21) ■●
10	102-0791	1	Transformer W/Wire Harness Assy., Svc. ●		89-9038	1	Power Supply Assembly, W/ Surge (Includes 1-21) ■●
11		4	Screw, Tap, #10 X 3/8" ▲				
12	4-1063	2	Screw, Tap, #6				
13	102-0700	1	Filter Assy., Rfi				
14	102-0666	1	On/Off Switch				

● SERVICE ITEMS
▲ Not serviced separately

■ Not illustrated

Power Supply, N. LTC Plus and E-Series OSMAC



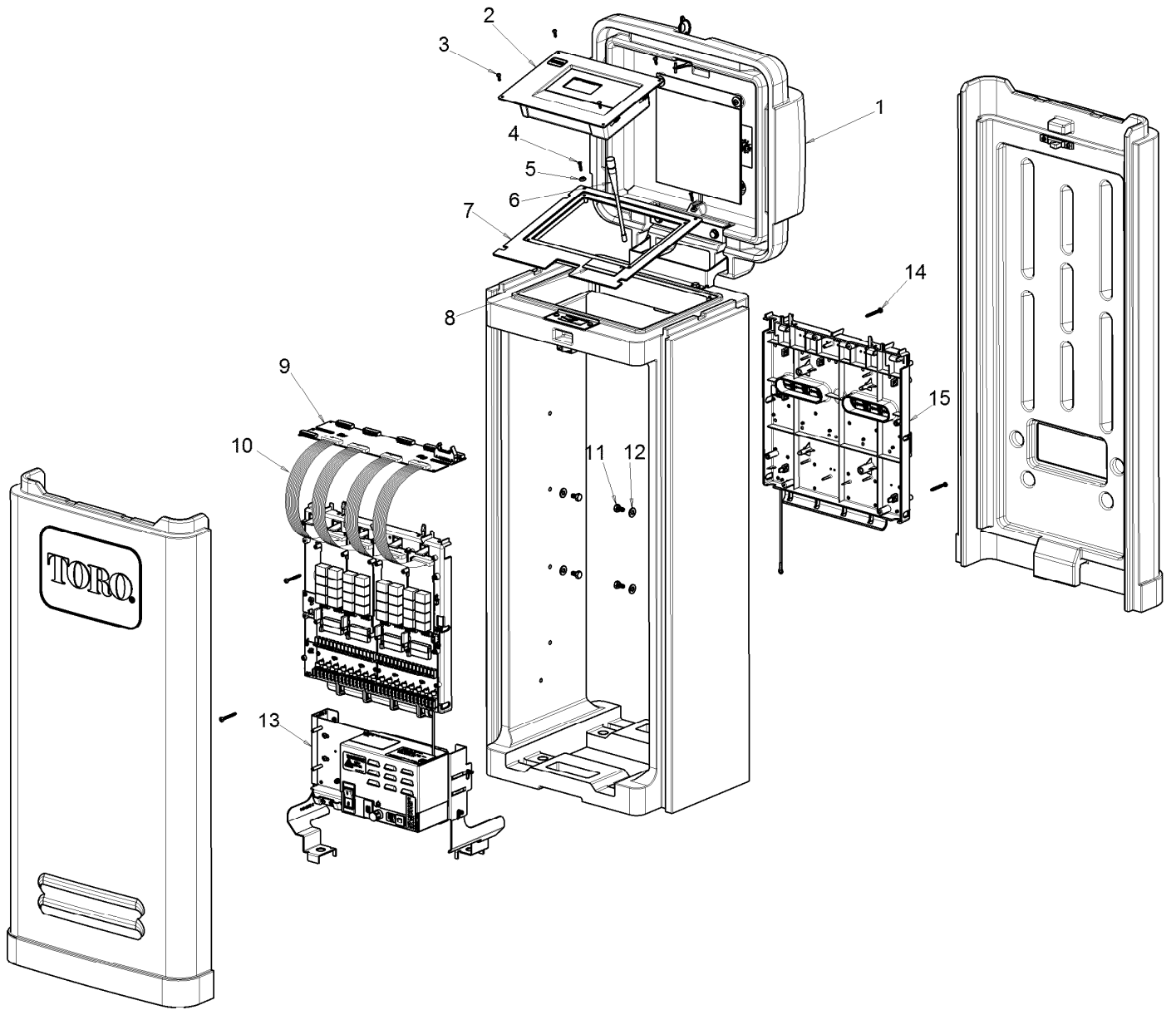
Power Supply, N. LTC Plus and E-Series OSMAC (continued)

<i>Ref.</i>	<i>Part Number</i>	<i>Qty.</i>	<i>Description</i>	<i>Ref.</i>	<i>Part Number</i>	<i>Qty.</i>	<i>Description</i>
1	4-1063	2	Screw, Tap, #6	9	102-0648	1	Slide Switch 115/230V
2		2	Washer, Lock, #6 ▲	10	102-0651	1	Circuit Breaker, 4.0 Amp
3	102-0646	1	Cover, Power Supply	11	118-0538SK	1	Toro Transient Filter, Ttf
4	102-0695	1	Cover, Wire Terminal	12	102-0700	1	Filter Assy., Rfi
5	102-0666	1	On/Off Switch	13	102-0667	1	Terminal Block, 115/230V (Includes Item 14)
6	102-0647	1	Transformer Assy., Svc. ●	14	360-0297	2	Screw, #6 X 3/4"
7	102-0649	1	Fuse Holder W/Cap		102-0645	1	Power Supply Assembly (Includes Items 1-14) ■
8	102-0650	1	Fuse, 3.2 Amp, Slow-Blow (10-Pack) ●				

● SERVICE ITEMS
▲ Not serviced separately

■ Not illustrated

OSMAC G3 - Satellite 2016-2018

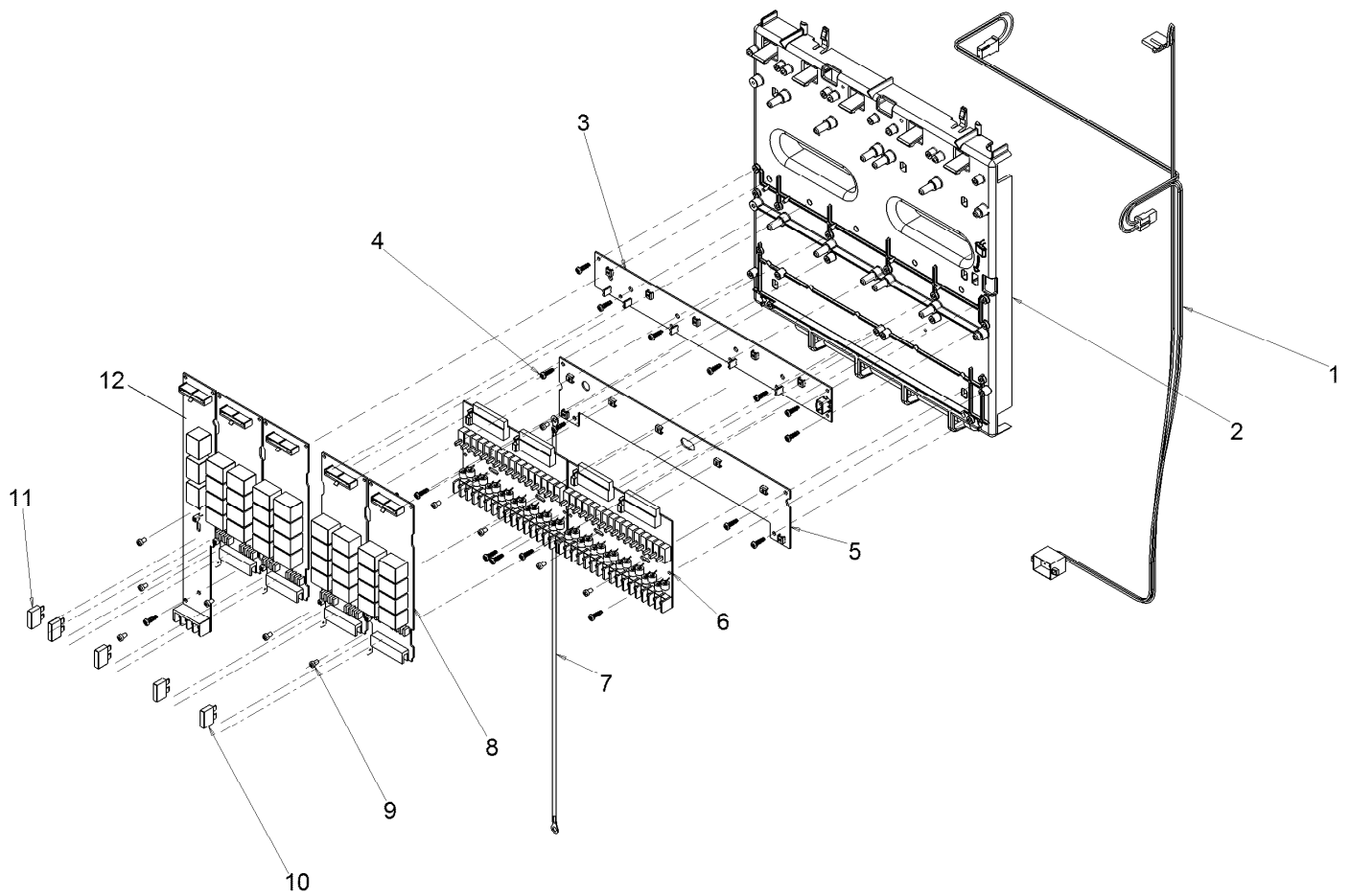


OSMAC G3 - Satellite 2016-2018 (continued)

<i>Ref.</i>	<i>Part Number</i>	<i>Qty.</i>	<i>Description</i>	<i>Ref.</i>	<i>Part Number</i>	<i>Qty.</i>	<i>Description</i>
1	118-0828	1	Plastic Pedestal, Short, Green, Assembly	8	91-0910	1	Decal, Caution
1	118-0829	1	Plastic Pedestal, Short, Tree Bark, Assembly	9	102-0672	1	Output Distribution Module Assy.
1	118-0830	1	Plastic Pedestal, Short, Desert Sand, Assembly	10	102-0670	4	Ribbon Cable, Distribution To Output, 4
2	118-2986SK	1	Timing Module, Osmac G3	11	363-8634	4	Screw-Cap, HH
	118-6929	1	Tm Cable ■●	12	360-0140	4	Washer-Flat
3	363-6504	4	Tap Screw, Timing Mechanism	13	118-6366SK	1	Power Supply Assembly (See Power Supply Section For Individual Component Listing)
4	363-6520	2	Tap Screw, Countersunk, Tm Faceplate	14	3-2696	4	Screw-Tap, #8
5	363-8394	2	Washer, Faceplate	15	89-9931SK	1	Mounting Front/Backplate, Plastic
6	363-7402	1	Bnc Antenna, 6"				
7	102-0664	1	Tm Mounting Faceplate				

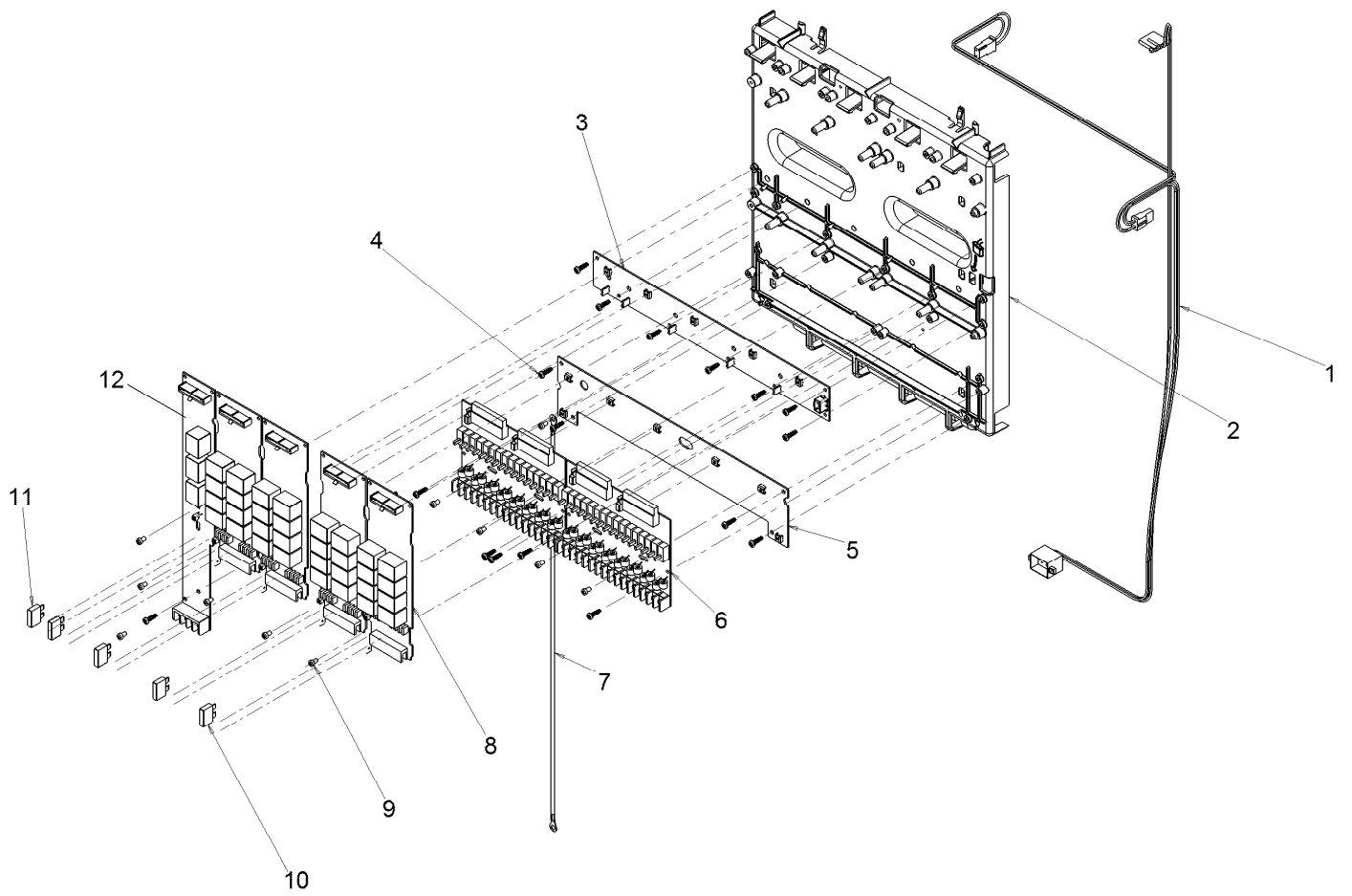
● SERVICE ITEMS

■ Not illustrated



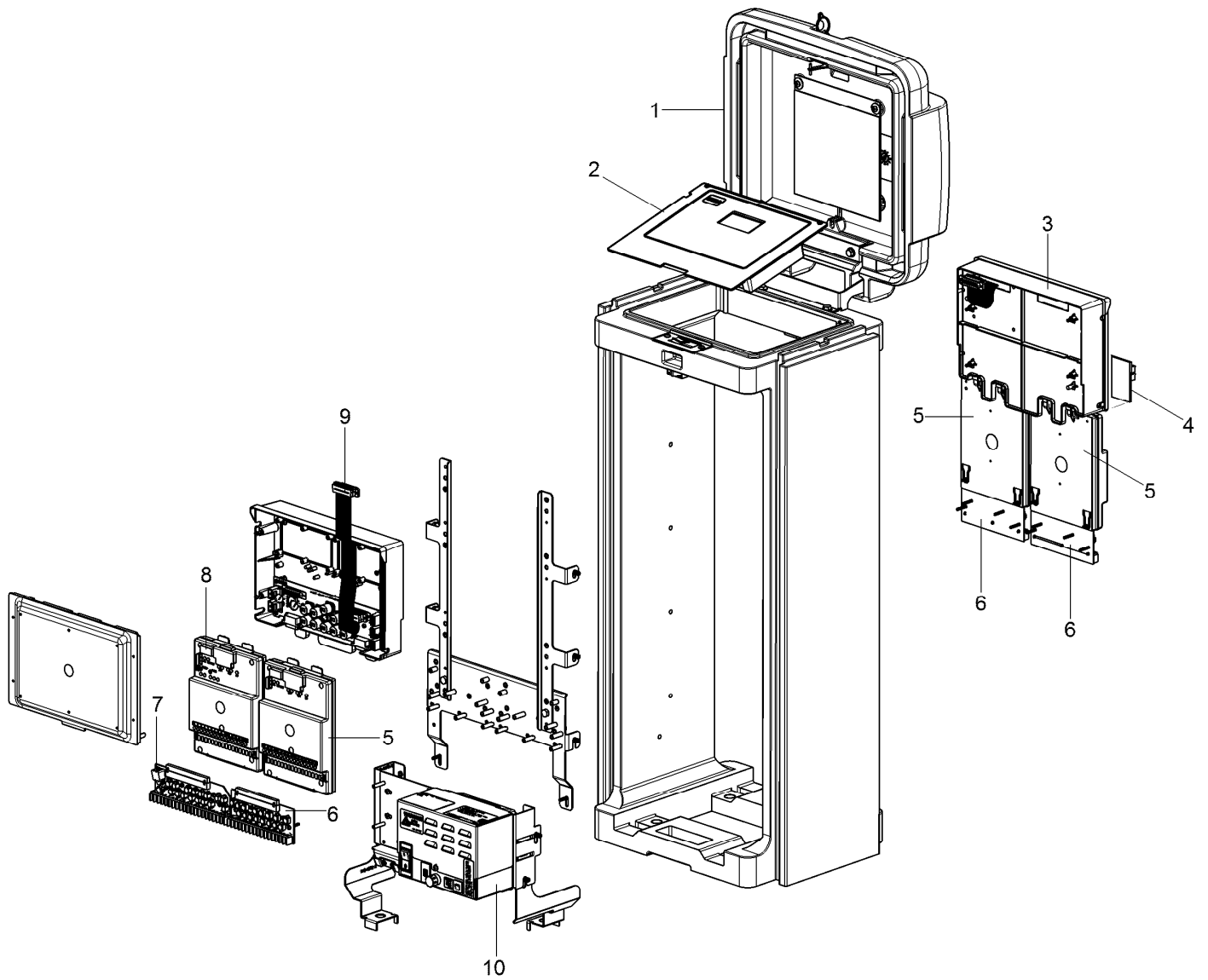
OSMAC G3 - Front/Backplate Assembly

Ref.	Part Number	Qty.	Description
1	89-9983	1	Cable Assy., Power Supply
2	89-9931SK	1	Mounting Front/Backplate, Plastic
3	102-0653	1	24 Vac Bus Bar
4	363-8289	18	Screw, Tap, #6
5	102-0652	1	Earth Ground Bus Bar
6	102-0641	2	Terminal Block, Switches, Option M3
6	102-0642	2	Terminal Block, Switches, Surge Pills, Option M4
7	89-6930	1	14GA Ground Wire, Yel/Grn
8	102-0654	4	Osmac G3 Output Module
9	363-3947	10	Screw, Thru
10	102-0657	4	Fuse, 3.0 Amp, Fast-Blow, Service (5-Pack)
11	102-0658	1	Fuse, 1.0 Amp, Fast-Blow, Service (5-Pack)
12	102-0669	1	Pump/Common Module Assy.



OSMAC G3 - Front/Backplate Assembly (continued)

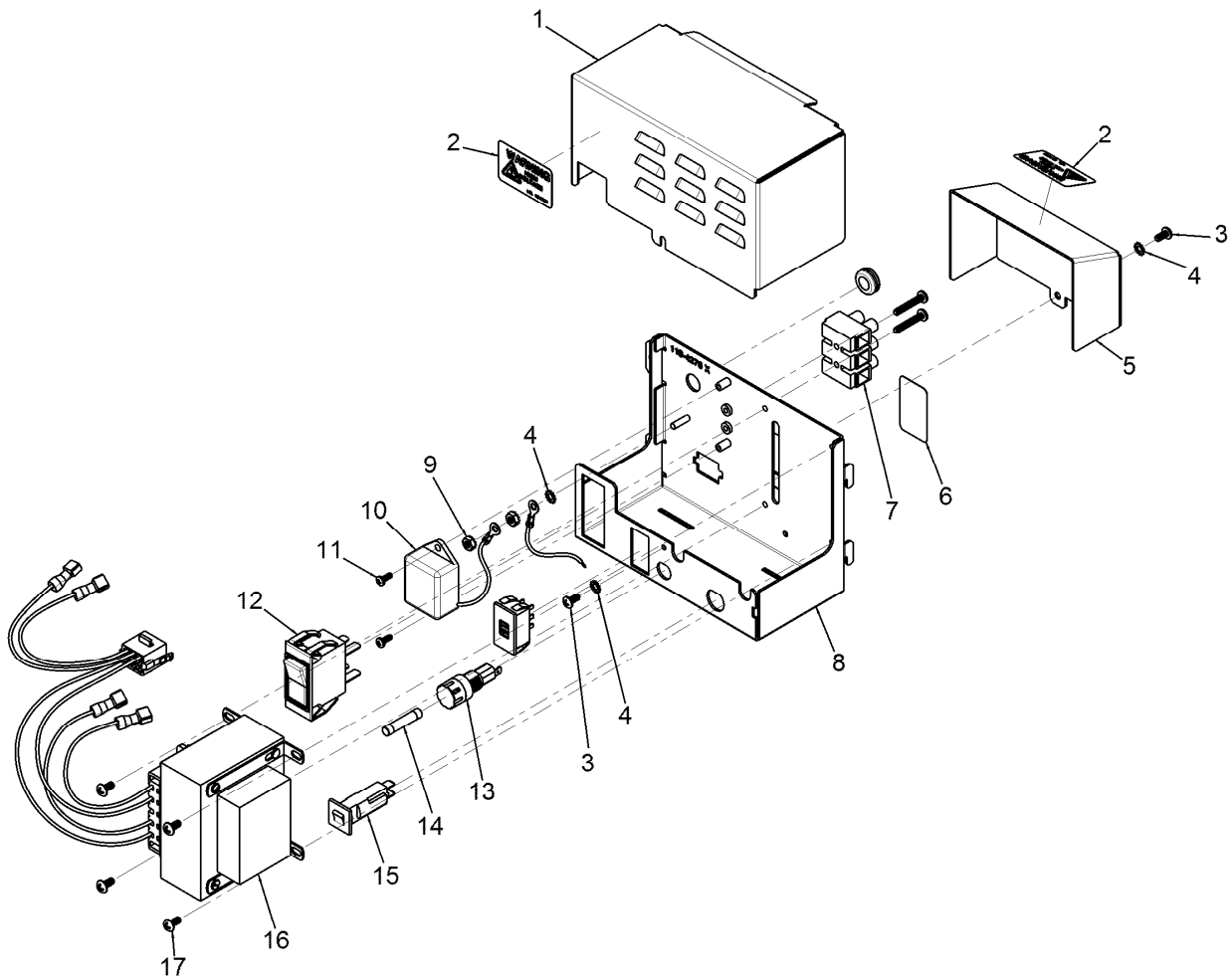
OSMAC G3 - Satellite, 2019 Model and Newer



OSMAC G3 - Satellite, 2019 Model and Newer (continued)

<i>Ref.</i>	<i>Part Number</i>	<i>Qty.</i>	<i>Description</i>	<i>Ref.</i>	<i>Part Number</i>	<i>Qty.</i>	<i>Description</i>
1	118-0828	1	Plastic Pedestal, Short, Green, Assembly	6	118-3047SK	3	Output Surge Assembly, Level 4
1	118-0829	1	Plastic Pedestal, Short, Tree Bark, Assembly	7	118-6035SK	1	Output/Pump Surge Assembly, Level 3
1	118-0830	1	Plastic Pedestal, Short, Desert Sand, Assembly	7	118-6034SK	1	Output/Pump Surge Assembly, Level 4
2	118-2986SK	1	Timing Module, Osmac G3	8	118-6369SK	1	Pump/Com/Output Module
3	118-4438SK	1	Distribution Panel Assembly, Backside	9	118-4172	1	Cable, Tm To Power Board
4	118-3128SK	1	Distribution Board, Backside	10	118-6366SK	1	Power Supply Assembly (See Power Supply Section For Individual Component Listing) ●
5	118-6370SK	3	Output Module Assembly				
6	118-6032SK	3	Output Surge Assembly, Level 3				

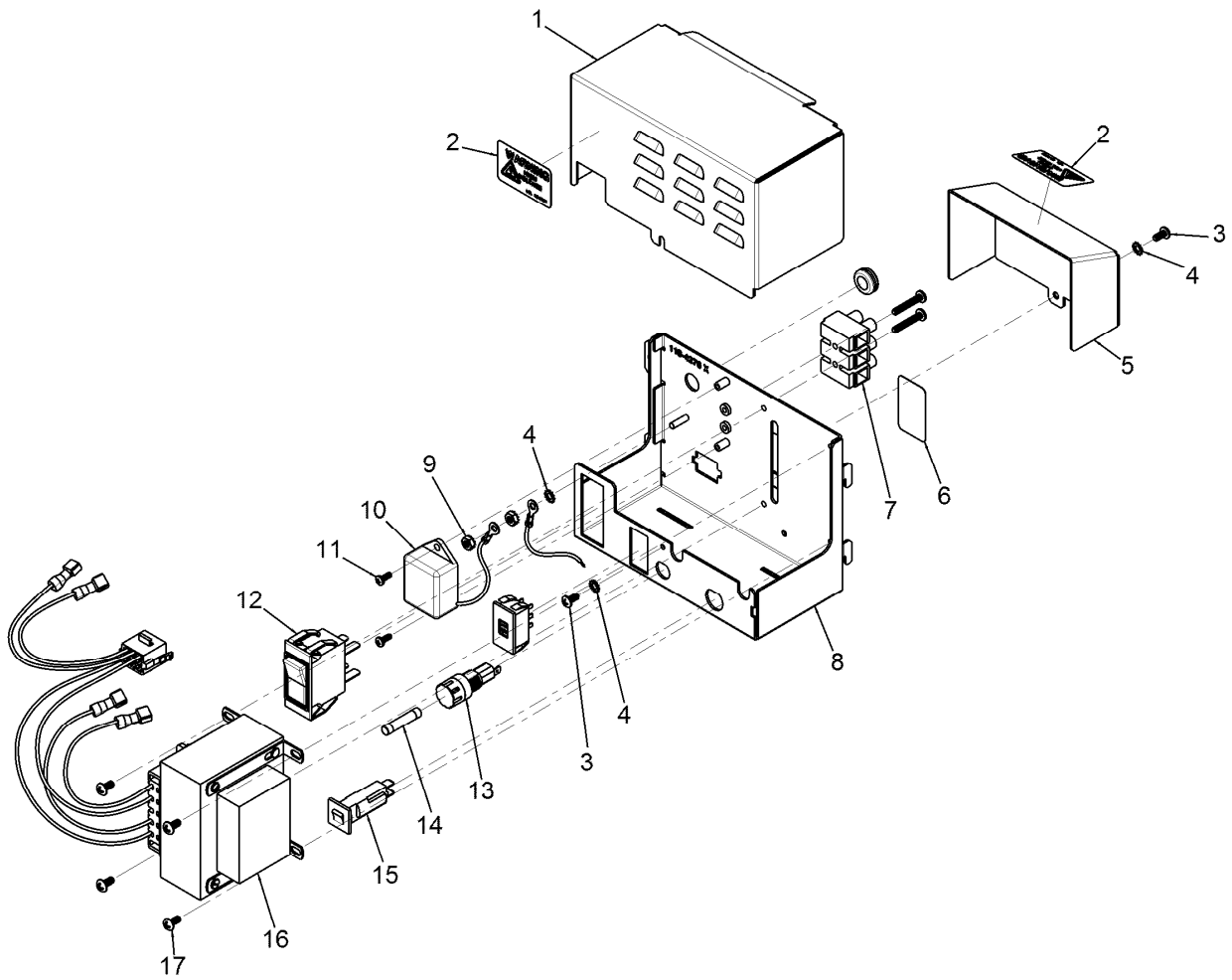
● Not illustrated



OSMAC G3 - Power Supply

Ref.	Part Number	Qty.	Description
1	118-4269	1	Cover, Power Supply Housing
2	89-0722	2	Label, Warning
3	360-0498	2	Screw, Machine, 8-32 X 1/4
4	363-6505	3	Lock Washer, #8, Steel
5	118-4268	1	Cover, Power Supply Terminal
6	89-7325	1	Label, Terminal Block
7	363-3981	1	Terminal Block, 3-Position, 6 Awg
8	118-4270	1	Bottom, Power Supply Housing
9	363-1483	2	Nut-Hex, K Lock
10	118-0538SK	1	Toro Transient Filter, Ttf
11	363-8690	2	Scr,Mch,6-32X3/8,Phph,Stl,Rohs
12	363-3361	1	Switch, Circuit Breaker, 1.5A
13	360-0750	1	Holder, Fuse
14	363-2497	1	Fuse, 3.2 Amp
15	363-5270	1	Circuit Breaker, 4.0A
16	102-0409	1	Transformer Assembly
17	3-1453	4	Screw, Machine, 10-32 X 3/8, Phph, SS
	102-0645	1	Power Supply Assy. ●

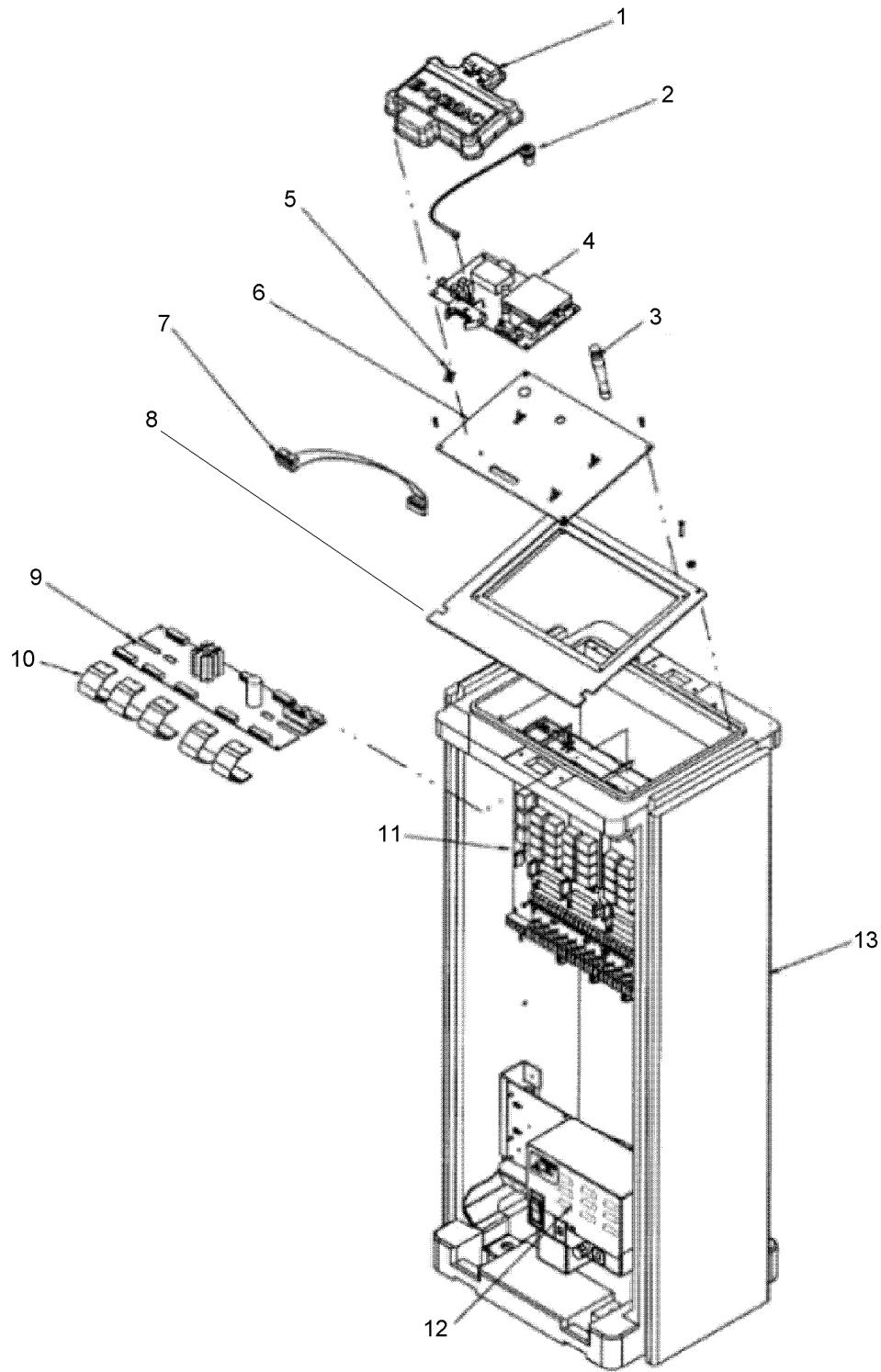
● Not illustrated



OSMAC G3 - Power Supply (continued)

● Not illustrated

E-Series OSMAC Sat., Narrow, Plastic Cab. (1 Of 3)



E-Series OSMAC Sat., Narrow, Plastic Cab. (1 Of 3) (continued)

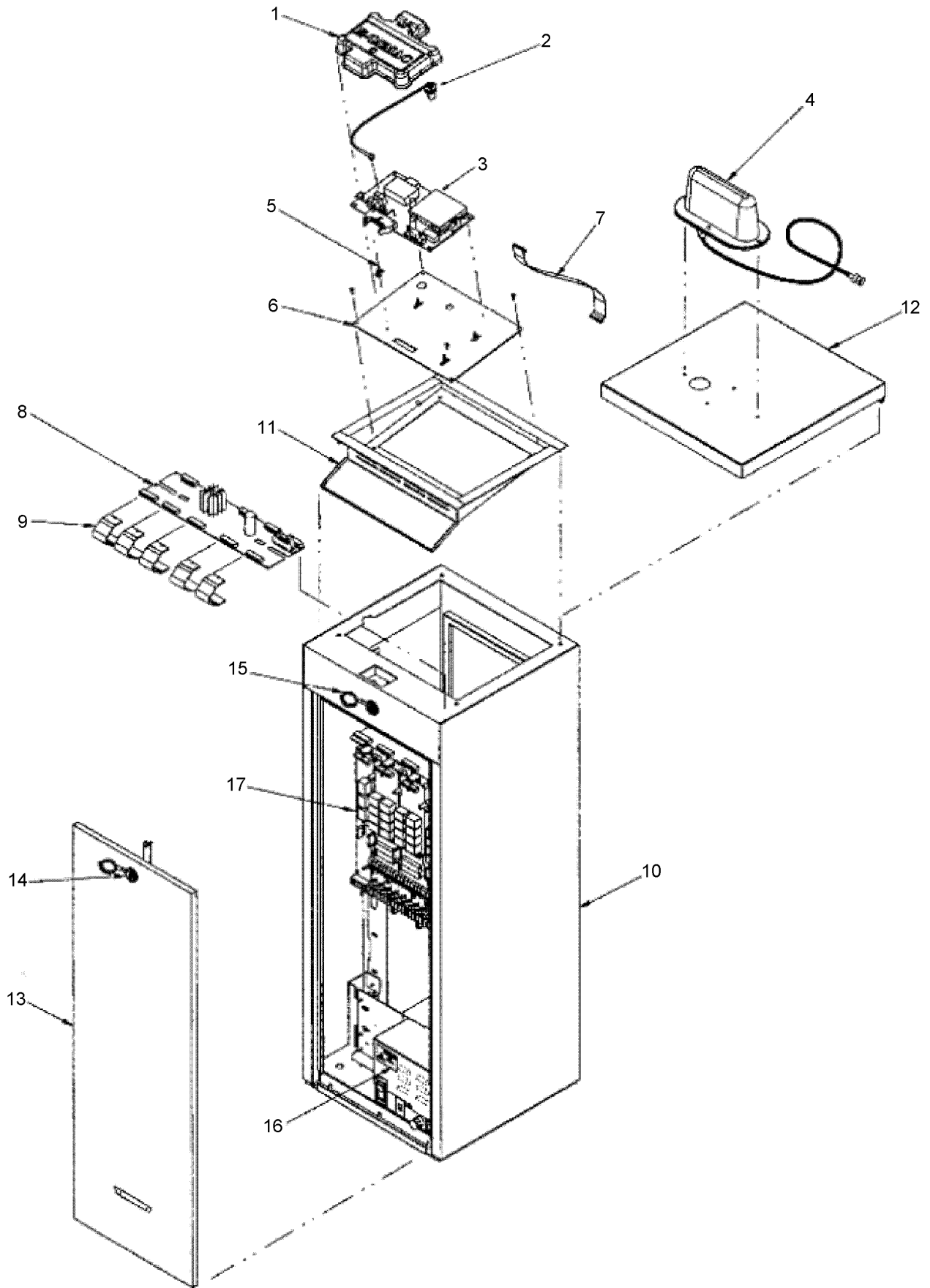
<i>Ref.</i>	<i>Part Number</i>	<i>Qty.</i>	<i>Description</i>	<i>Ref.</i>	<i>Part Number</i>	<i>Qty.</i>	<i>Description</i>
1	102-2624	1	Cover, Decoder Pcb	10	102-0670		Ribbon Cable, Distribution To Output, 4" Length ▲■
2	102-1204	1	Cable, Antenna, External, Narrow-Band Decoder	11			Field Interface Components (See Field Interface Components Section) ●
3	102-0655		Antenna, 450-475 Mhz, W/Bnc Connector ▲	12	102-0645	1	Power Supply Assy. (See Power Supply Assembly, Network Ltc Plus Sat. And E-Series Osmac Section)
4	102-1202	1	Narrow-Band Decoder Module For Plastic Cabinet ▲	13		1	Plastic Satellite Pedestal (See Plastic Satellite Pedestal Section For Details) ●
5	363-3946	4	Standoff, Plastic, Locking				
6	102-0661	1	Faceplate, Decoder Mounting				
7	102-0659	1	Ribbon Cable ▲				
8	102-0664	1	Tm Mounting Faceplate				
9	102-0672	1	Output Distribution Module Assy. ▲				

● Not serviced separately

▲ Order Through Finished Goods Distribution System - Minneapolis

■ Quantity Varies With Model

E-Series OSMAC Sat., Narrow, Metal Cab. (2 of 3)



E-Series OSMAC Sat., Narrow, Metal Cab. (2 of 3) (continued)

Ref.	Part Number	Qty.	Description	Ref.	Part Number	Qty.	Description
1	102-0662	1	Cover, Decoder Module Assy.	14		2	Lock Assy., Door (See Service Item 102-0714) ▲
2	102-0574	1	Antenna, Cable, External, Narrow-Band	15		1	Lock Assy., Pedestal Base (See Service Item 102-0705) ▲
3	102-1203	1	Narrow-Band Decoder Module For Metal Cabinet □	16	102-0645	1	Power Supply Assy.
4	102-0663	1	Uhf Dome Style Antenna Assy., 450-475 Mhz, Service, W/Cable	17			Field Interface Components (See E-Series Osmac Satellite, Narrow-Band, Field Interface Components) ▲
5	363-3946	4	Standoff, Plastic, Locking				
6	102-0661	1	Faceplate, Decoder Mounting		102-0684	1	Mount, Timing Mechanism, Sst (Includes Item 11) ●■
7	102-0659	1	Ribbon Cable		102-0714	1	Lock Kit, Door, Service (Includes Item 14) ●■
8	102-0672	1	Output Distribution Module Assy. □		102-0705	1	Lock Kit, Cover, Service (Includes Item 15) ●■
9	102-0670		Ribbon Cable, Distribution To Output, 4" Length ◆		102-0702	1	Base, Pedestal Green, Sst W/Lock Assy, Svc. (Includes Items 10 & 15) ●■
10		1	Base, Pedestal, Sst W/Lock Assy. (See Service Item 102-0702) ▲		102-0696	1	Pedestal Assy., Service (Includes Items 10-15) ●■
11		1	Mounting Plate, Tm (See Service Item 102-0684) ▲		102-0703	1	Cover, Pedestal Green, Sst (Includes Item 12) ●■
12		1	Lid Assy., Pedestal, Sst (See Service Item 102-0703) ▲		102-0704	1	Door, Pedestal, Green, Sst, Service (Includes Item 14) ●■
13		2	Door, Pedestal, Sst, W/Lock Assy. (See Service Item 102-0704) ▲				

● SERVICE ITEMS

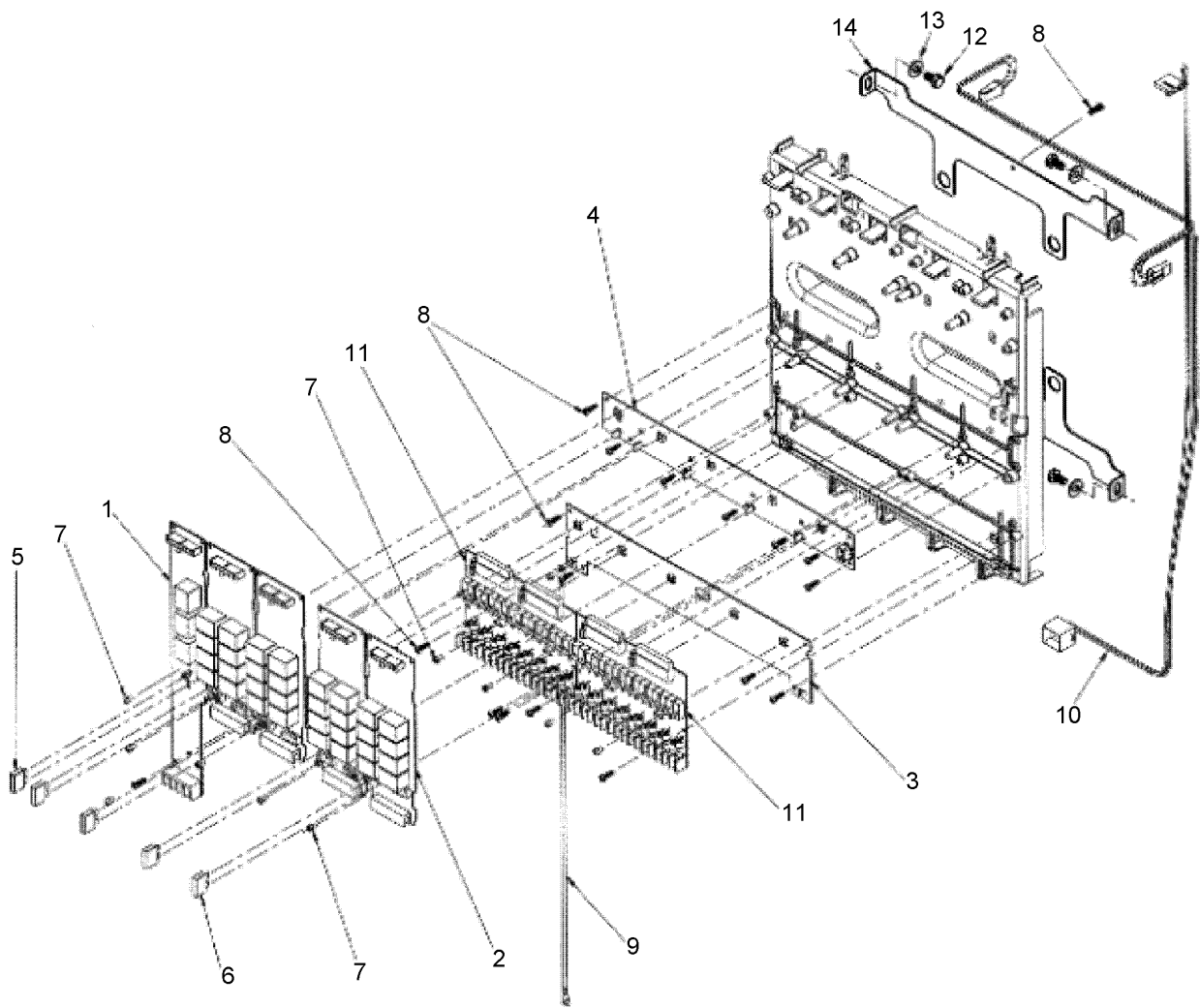
▲ Not serviced separately

□ Order Through Finished Goods Distribution System - Minneapolis

■ Not illustrated

◆ Quantity Varies With Model

E-Series OSMAC Sat., Narrow (3 Of 3)



E-Series OSMAC Sat., Narrow (3 Of 3) (continued)

<i>Ref.</i>	<i>Part Number</i>	<i>Qty.</i>	<i>Description</i>	<i>Ref.</i>	<i>Part Number</i>	<i>Qty.</i>	<i>Description</i>
1	102-0669	1	Pump/Common Module Assy. (Includes Items 5, 7, And 102-0670 Ribbon Cable) ♦	N/I	102-0638		8-Station Terminal Block (M0 Surge Level) ♦▲●
2	102-0654		Output Module Assy., 8-Station (Includes Items 6, 7, And 102-0670 Ribbon Cable) ♦▲	11	102-0639		16-Station Module Assy. (M1 Surge Upgrade) (Includes Items 7 & 8) ♦▲
3	102-0652	1	Ground Bus Bar Pcb Assy., Service (Includes Item 8)	11	102-0640		16-Station Module Assy. (M2 Surge Upgrade) (Includes Items 7 & 8) ♦▲
4	102-0653	1	24 V A.C. Bus Bar Pcb Assy., Service (Includes Item 8)	11	102-0641		16-Station Module Assy. (M3 Surge Upgrade) (Includes Items 7 & 8) ♦▲
5	102-0658	1	Fuse, 1.0 Amp, Fast-Blow, Service (5-Pack)	11	102-0642		16-Station Module Assy. (M4 Surge Upgrade) (Includes Items 7 & 8) ♦▲
6	102-0657	4	Fuse, 3.0 Amp, Fast-Blow, Service (5-Pack)				
7	102-0671	11	Screw, Machine, 6-32 X 1/4"	12	360-0595	4	Screw, Machine, 1/4-20 X 1/2"
8	363-1355	20	Screw, Tap, #6	13	360-0140	4	Washer-Flat
9	102-0685	1	Wire Harness Assy., Grounding	14		2	Bracket, Mount Backplate ■
10	102-0686	1	Wire Harness Assy., Power Supply				

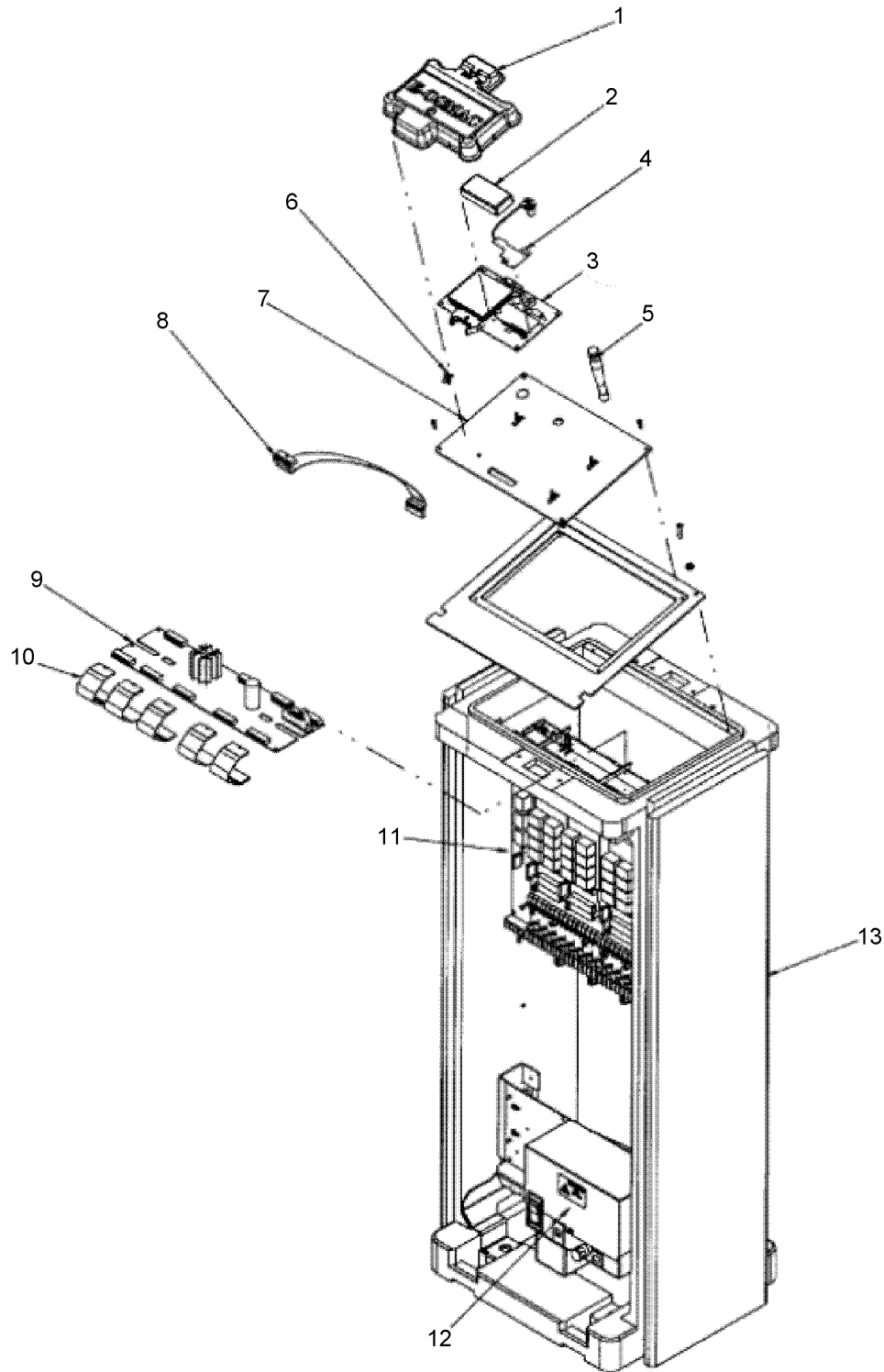
● Not illustrated

▲ Quantity Varies With Model

♦ Order Through Finished Goods Distribution System - Minneapolis

■ Not serviced separately

E-Series OSMAC Sat., Wide, Plastic Cab. (1 of 3)



E-Series OSMAC Sat., Wide, Plastic Cab. (1 of 3) (continued)

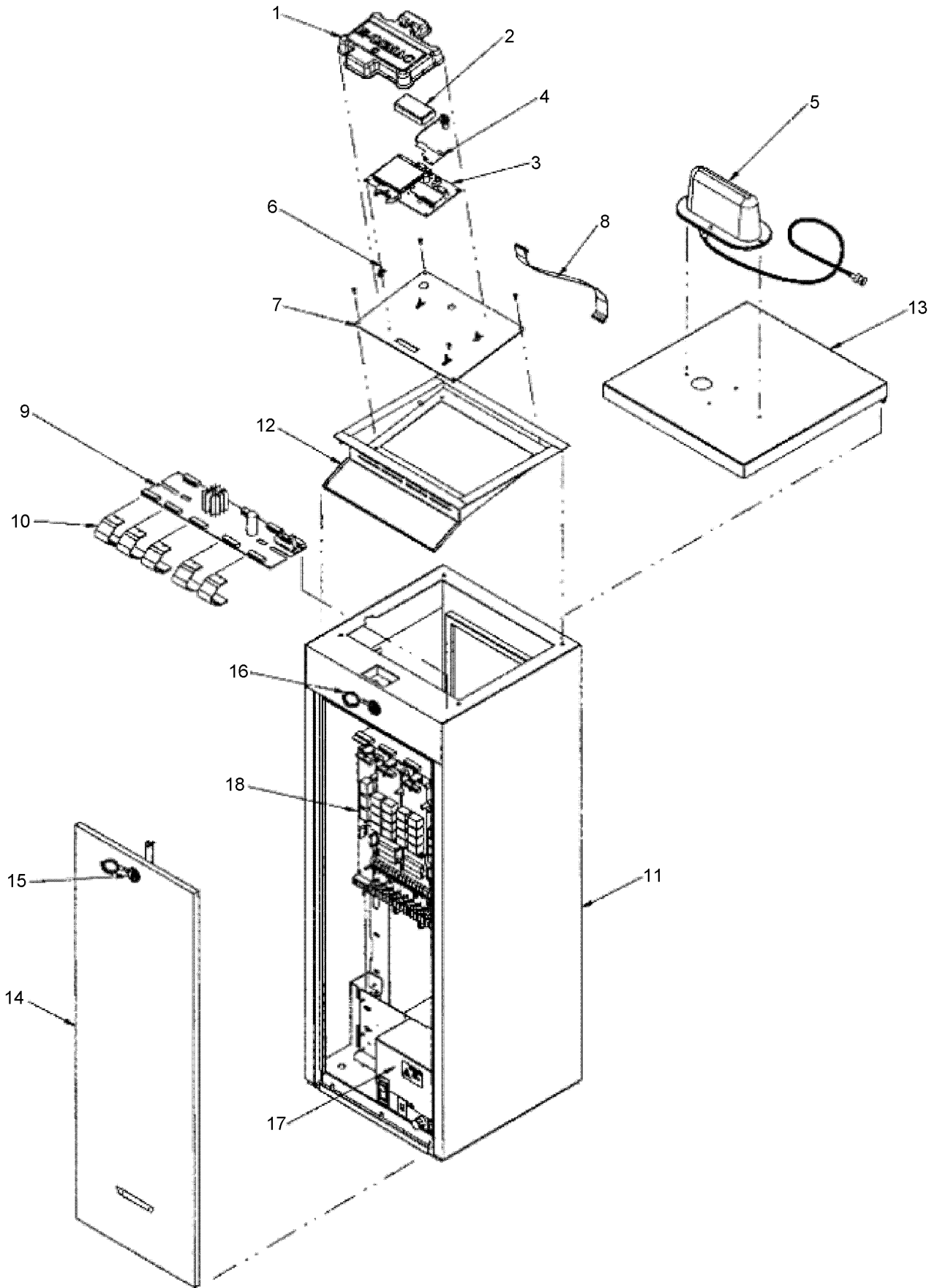
<i>Ref.</i>	<i>Part Number</i>	<i>Qty.</i>	<i>Description</i>	<i>Ref.</i>	<i>Part Number</i>	<i>Qty.</i>	<i>Description</i>
1	102-2624	1	Cover, Decoder Pcb	9	102-0672	1	Output Distribution Module Assy. ▲
2	N1551	1	Receiver Module ▲	10	102-0670		Ribbon Cable, Distribution To Output, 4" Length ▲■
3	102-0660	1	Receiver/Decoder Module Assy., Service (Includes Item 6) ▲	11			Field Interface Components (See Field Interface Components Section) ●
4	102-0656	1	Antenna Pcb Assy. (Optional) ▲	12	102-0645	1	Power Supply Assy.
5	102-0655	1	Antenna, 450-475 Mhz, W/Bnc Connector (Optional) ▲	13		1	Satellite Plastic Pedestal & Components (See Plastic Satellite Pedestal Section) ●
6	363-3946	4	Standoff, Plastic, Locking				
7	102-0661	1	Faceplate, Decoder Mounting				
8	102-0659	1	Ribbon Cable (Output Distribution Module To Decoder Module) ▲				

● Not serviced separately

▲ Order Through Finished Goods Distribution System - Minneapolis

■ Quantity Varies With Model

E-Series OSMAC Sat., Wide Metal Cab. (2 of 3)



E-Series OSMAC Sat., Wide Metal Cab. (2 of 3) (continued)

<i>Ref.</i>	<i>Part Number</i>	<i>Qty.</i>	<i>Description</i>	<i>Ref.</i>	<i>Part Number</i>	<i>Qty.</i>	<i>Description</i>
1	102-2624	1	Cover, Decoder Module Assy., Service	12	102-0684	1	Mounting Plate, Tm, Service ●
2	N1551	1	Receiver Module □	13	102-0703	1	Lid Assy., Pedestal, Sst, Service ●
3	102-0660	1	Receiver/Decoder Module Assy., Service (Includes Item 6) □	14	102-0704	2	Door, Pedestal, Green, Sst, W/ Lock Assy., Service (Includes Item 15) ●
4	102-0656	1	Antenna Pcb Assy. □	15	102-0714	2	Lock Assy., Door, W/Keys & Cover, Service ●
5	102-0663	1	Uhf Dome Style Antenna Assy., 450-475 Mhz, Service, W/Cable	16	102-0705	1	Lock Assy., Pedestal Base, W/Keys & Cover, Service ●
6	363-3946	4	Standoff, Plastic, Locking	17	102-0645	1	Power Supply Assy.
7	102-0661	1	Faceplate, Decoder Mounting	18			Field Interface Components (See Field Interface Components Section) ▲
8	102-0659	1	Ribbon Cable (Decoder Module To Distribution Module) □		102-0696		Pedestal Assy., Service (Includes Items 11-16) ■
9	102-0672	1	Distribution Board, Output, Parallel □				
10	102-0670		Ribbon Cable (Distribution Board To Output Module) □ ◆				
11	102-0702	1	Base, Pedestal Green, Sst W/Lock Assy, Service (Includes Item 16) ●				

● SERVICE ITEMS

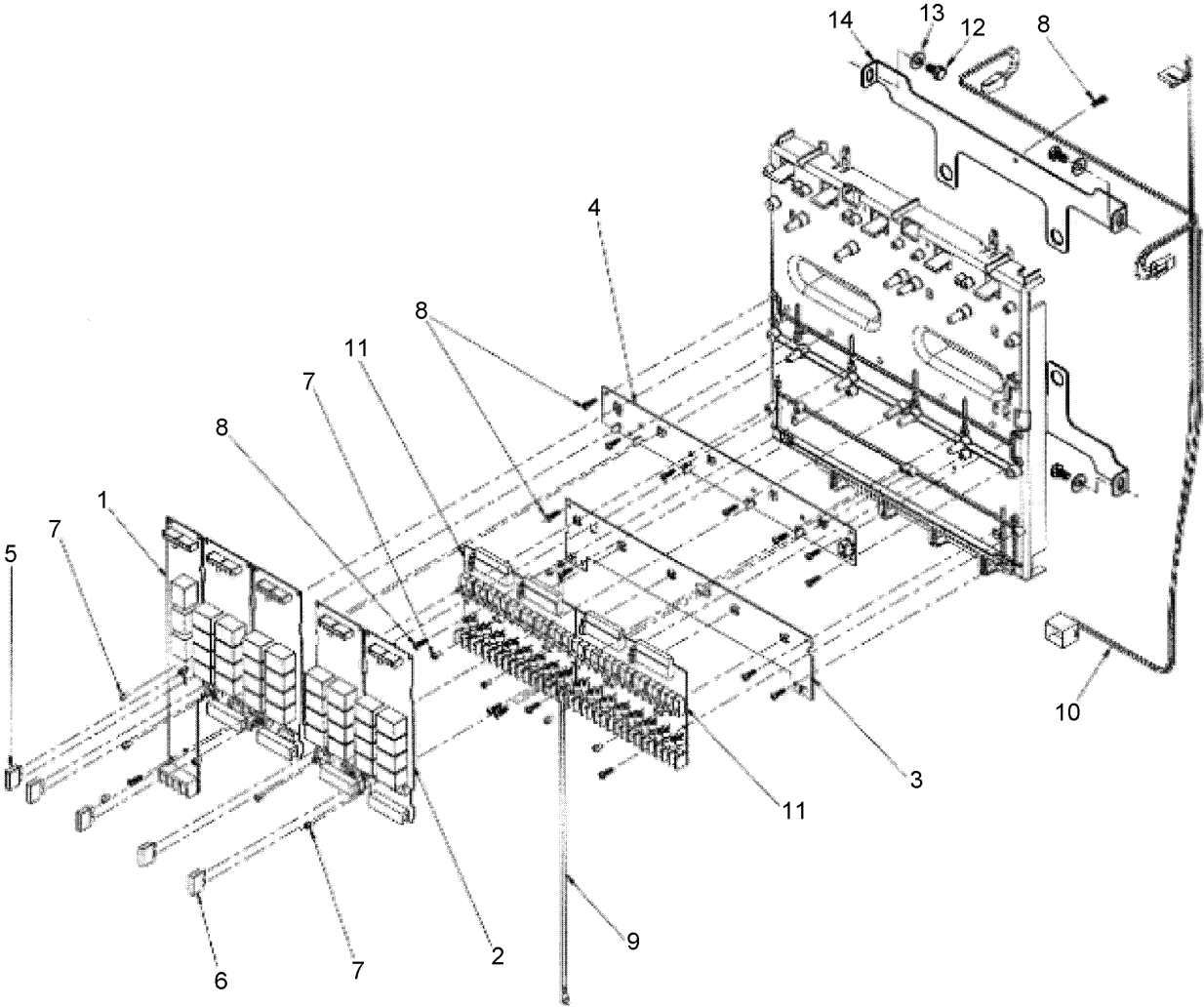
▲ Not serviced separately

□ Order Through Finished Goods Distribution System - Minneapolis

■ Not illustrated

◆ Quantity Varies With Model

E-Series OSMAC Sat., Wide (3 of 3)



E-Series OSMAC Sat., Wide (3 of 3) (continued)

<i>Ref.</i>	<i>Part Number</i>	<i>Qty.</i>	<i>Description</i>	<i>Ref.</i>	<i>Part Number</i>	<i>Qty.</i>	<i>Description</i>
1	102-0669	1	Pump/Common Module Assy. (Includes Items 5, 7, And 102-0670 Ribbon Cable) ♦	N/I	102-0638		8-Station Terminal Block (M0 Surge Level) ♦▲●
2	102-0654		Output Module Assy., 8-Station (Includes Items 6, 7, And 102-0670 Ribbon Cable) ♦▲	11	102-0639		16-Station Module Assy. (M1 Surge Upgrade) (Includes Items 7 & 8) ♦▲
3	102-0652	1	Ground Bus Bar Pcb Assy., Service (Includes Item 8)	11	102-0640		16-Station Module Assy. (M2 Surge Upgrade) (Includes Items 7 & 8) ♦▲
4	102-0653	1	24 V A.C. Bus Bar Pcb Assy., Service (Includes Item 8)	11	102-0641		16-Station Module Assy. (M3 Surge Upgrade) (Includes Items 7 & 8) ♦▲
5	102-0658	1	Fuse, 1.0 Amp, Fast-Blow, Service (5-Pack)	11	102-0642		16-Station Module Assy. (M4 Surge Upgrade) (Includes Items 7 & 8) ♦▲
6	102-0657	4	Fuse, 3.0 Amp, Fast-Blow, Service (5-Pack)				
7	102-0671	11	Screw, Machine, 6-32 X 1/4"	12	360-0595	4	Screw, Machine, 1/4-20 X 1/2"
8	363-1355	20	Screw, Tap, #6	13	360-0140	4	Washer-Flat
9	102-0685	1	Wire Harness Assy., Grounding	14		2	Bracket, Mount Backplate ■●
10	102-0686	1	Wire Harness Assy., Power Supply				

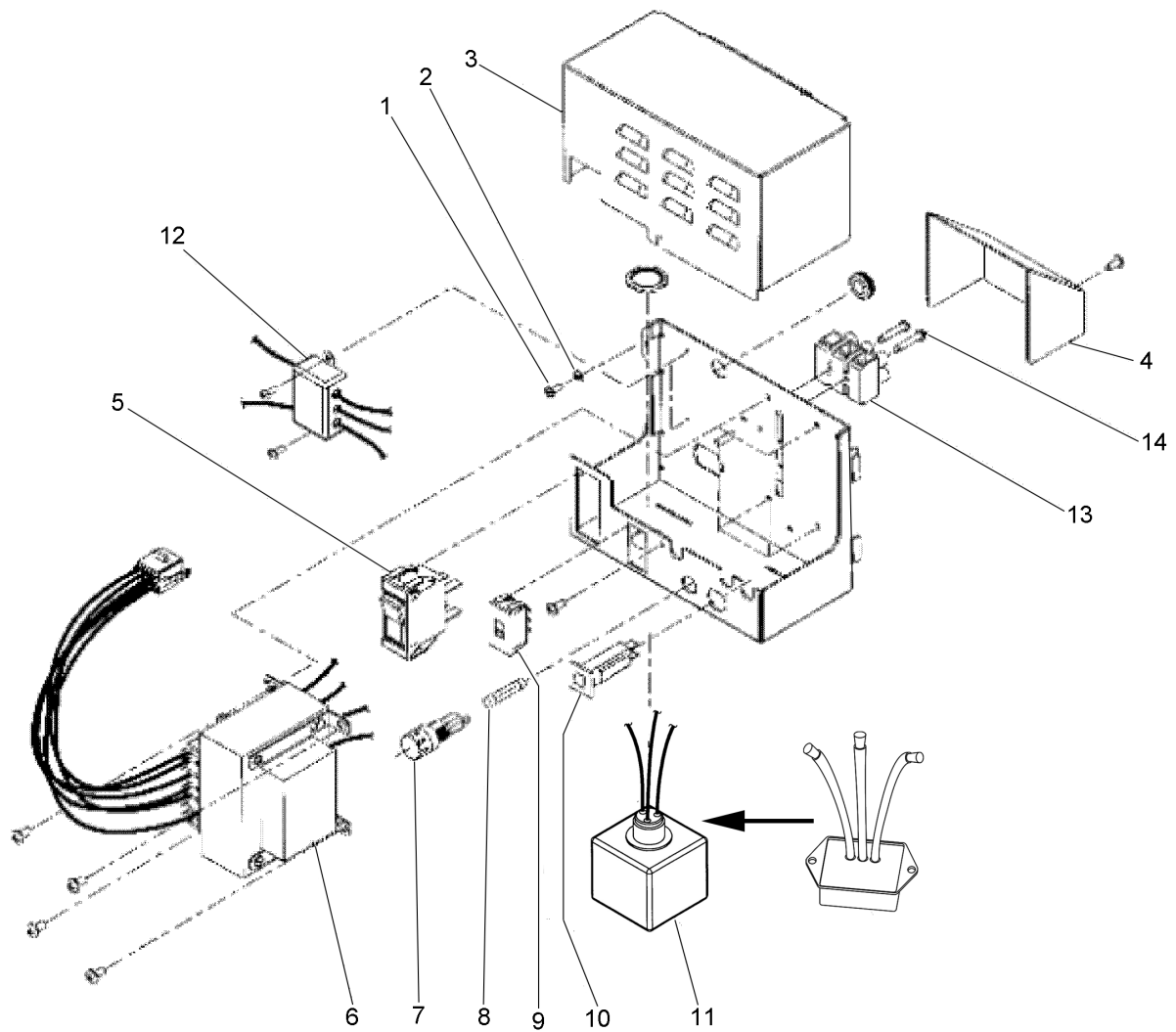
● Not illustrated

▲ Quantity Varies With Model

♦ Order Through Finished Goods Distribution System - Minneapolis

■ Not serviced separately

Power Supply, N. LTC Plus and E-Series OSMAC



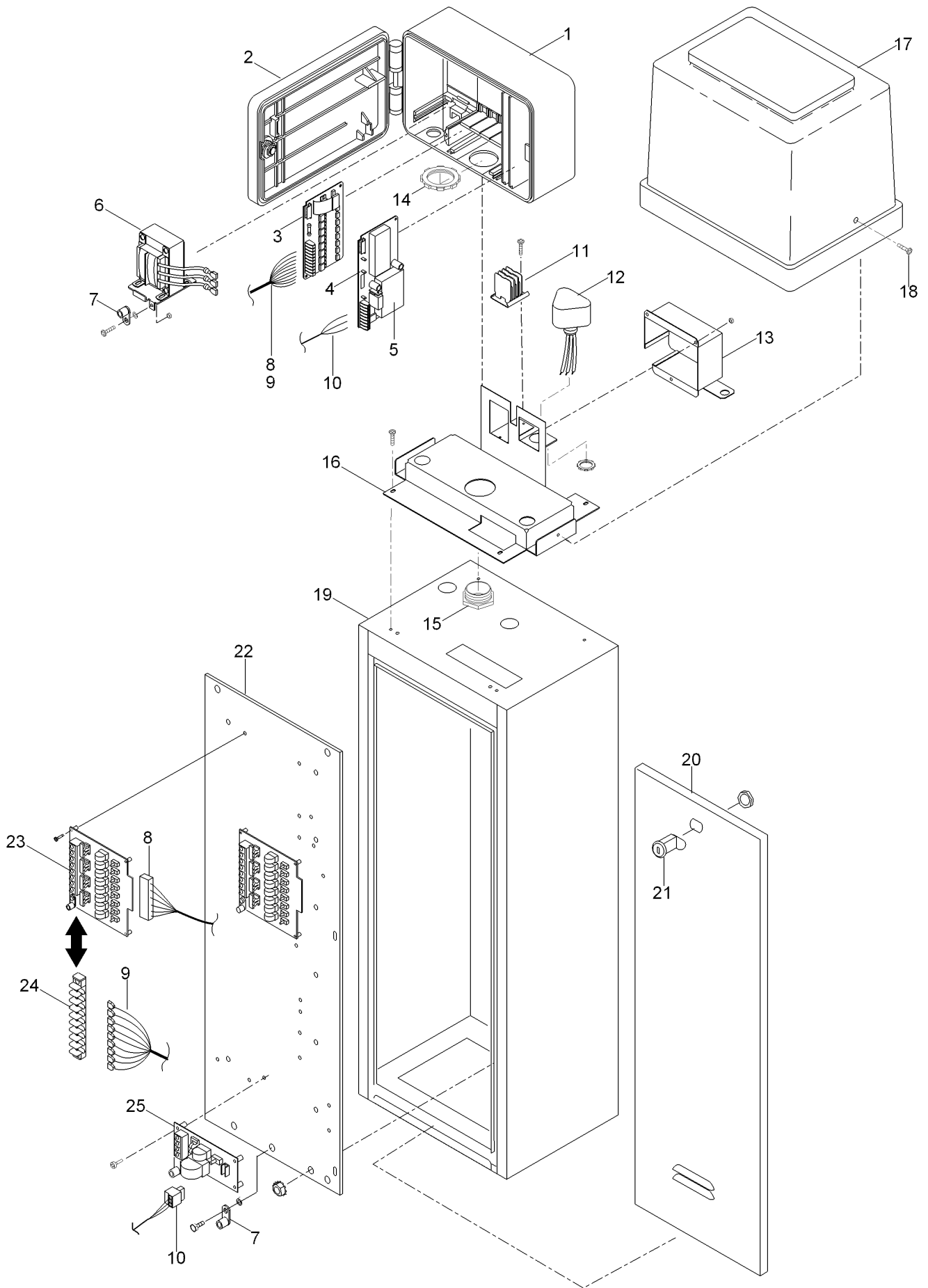
Power Supply, N. LTC Plus and E-Series OSMAC (continued)

<i>Ref.</i>	<i>Part Number</i>	<i>Qty.</i>	<i>Description</i>	<i>Ref.</i>	<i>Part Number</i>	<i>Qty.</i>	<i>Description</i>
1	4-1063	2	Screw, Tap, #6	9	102-0648	1	Slide Switch 115/230V
2		2	Washer, Lock, #6 ▲	10	102-0651	1	Circuit Breaker, 4.0 Amp
3	102-0646	1	Cover, Power Supply	11	118-0538SK	1	Toro Transient Filter, Ttf
4	102-0695	1	Cover, Wire Terminal	12	102-0700	1	Filter Assy., Rfi
5	102-0666	1	On/Off Switch	13	102-0667	1	Terminal Block, 115/230V (Includes Item 14)
6	102-0647	1	Transformer Assy., Svc. ●	14	360-0297	2	Screw, #6 X 3/4"
7	102-0649	1	Fuse Holder W/Cap		102-0645	1	Power Supply Assembly (Includes Items 1-14) ■
8	102-0650	1	Fuse, 3.2 Amp, Slow-Blow (10-Pack) ●				

● SERVICE ITEMS
▲ Not serviced separately

■ Not illustrated

OSMAC Satellite - 8 x 13 Metal Ped., Electric



OSMAC Satellite - 8 x 13 Metal Ped., Electric (continued)

<i>Ref.</i>	<i>Part Number</i>	<i>Qty.</i>	<i>Description</i>	<i>Ref.</i>	<i>Part Number</i>	<i>Qty.</i>	<i>Description</i>
1		1	Housing, Cover, Rdr50 ●	11	363-2371	1	Terminal Block, 3-Position
2		1	Cover, Housing ●	12		1	Surge Protector, Osmac ●
3	NLN3491A	1	Output Pcb, 8-Station ▲	13	91-1865	1	Cover, Safety, AC
4	NLN3485	1	Decoder Module Rdr50 ▲	14		1	Locknut, 1.25" ●
4	NLN3794	1	Decoder Module Rdr16 ▲	15		1	Conduit Nipple, 1.25" ●
5	N1551-X	1	Receiver Module (See Finished Goods Price List For Specific Frequency) ▲	16	91-1884	1	Adapter, Osmac, 13" X 8.5", Sst
6	NPN8010	1	Transformer, 24 Vac ▲	17	91-1860	1	Cover, Osmac
7	363-1553	2	Lug, Grounding	18	363-3438	2	Screw, #10-32 X 3/4", Sst
8	91-1905		Cable Assy., Surge Protection, Short ■	19	91-1508	1	Cabinet Assy., Sst (Includes Items 19-21)
8	91-1906		Cable Assy., Surge Protection, Medium ■	20		2	Door ●
8	91-1907		Cable Assy., Surge Protection, Long ■	21	363-5369	2	Lock Assy., W/Keys
9	91-2151		Cable Assy., El, Short ■	22	91-1441	2	Mounting Plate, Rear
9	91-2152		Cable Assy., El, Medium ■	23	91-1957		Pcb, Surge Protection, 8-Station ■
9	91-2153		Cable Assy., El, Long ■	24	363-3313		Terminal Block, 9-Position ■
10	91-2433	1	Cable Assy., Pump/Common	25	91-1305	1	Pcb Assy., Surge Protection, Pump/Com

● Not serviced separately

▲ Order Through Finished Goods Distribution System - Minneapolis

■ Quantity Varies With Model

OSMAC Satellite - 8 x 13 Metal Ped., Hydraulic (continued)

<i>Ref.</i>	<i>Part Number</i>	<i>Qty.</i>	<i>Description</i>	<i>Ref.</i>	<i>Part Number</i>	<i>Qty.</i>	<i>Description</i>
1		1	Housing, Rdr50 ■	12	91-1884	1	Adapter, Osmac, 13" X 8.5", Sst
2		1	Cover, Housing ■	13		1	Conduit Nipple, 1-1/4" ■
3	NLN3491A	1	Output Pcb, 8-Station ♦	14		1	Locknut, 1-1/4" ■
4	NLN3485	1	Decoder Module Rdr50 ♦	15	91-1860	1	Cover, Osmac
4	NLN3794	1	Decoder Module Rdr16 ♦	16	363-3438	2	Screw, #10-32 X 3/4", Sst
5	N1551-X	1	Receiver Module (See Finished Goods Price List For Specific Frequency) ♦	17	91-1508	1	Cabinet Assy., Sst (Includes Items 17-19) ●
6	NPN8010	1	Transformer, 24 Vac ♦	18		2	Door ■
7	363-1553	2	Lug, Grounding	19	363-5369	2	Lock Assy., W/Keys
8	91-1899		Cable Assy., Hydraulic, Short ▲	20		1	Plate, Mounting ■
8	91-1901		Cable Assy., Hydraulic, Medium ▲	21		1	Electric/Hydraulic Converter Module (See Electric-Hydraulic Converter Module Assy. Section) ■
8	91-1902		Cable Assy., Hydraulic, Long ▲	22		1	Mounting Plate, Terminal Block ■
9	363-2371	1	Terminal Block, 3-Position	23	363-1553	1	Lug, Grounding
10		1	Surge Protector, Osmac ■	24	363-3263		Terminal Block, 9-Position ▲
11	91-1865	1	Cover, Safety, AC				

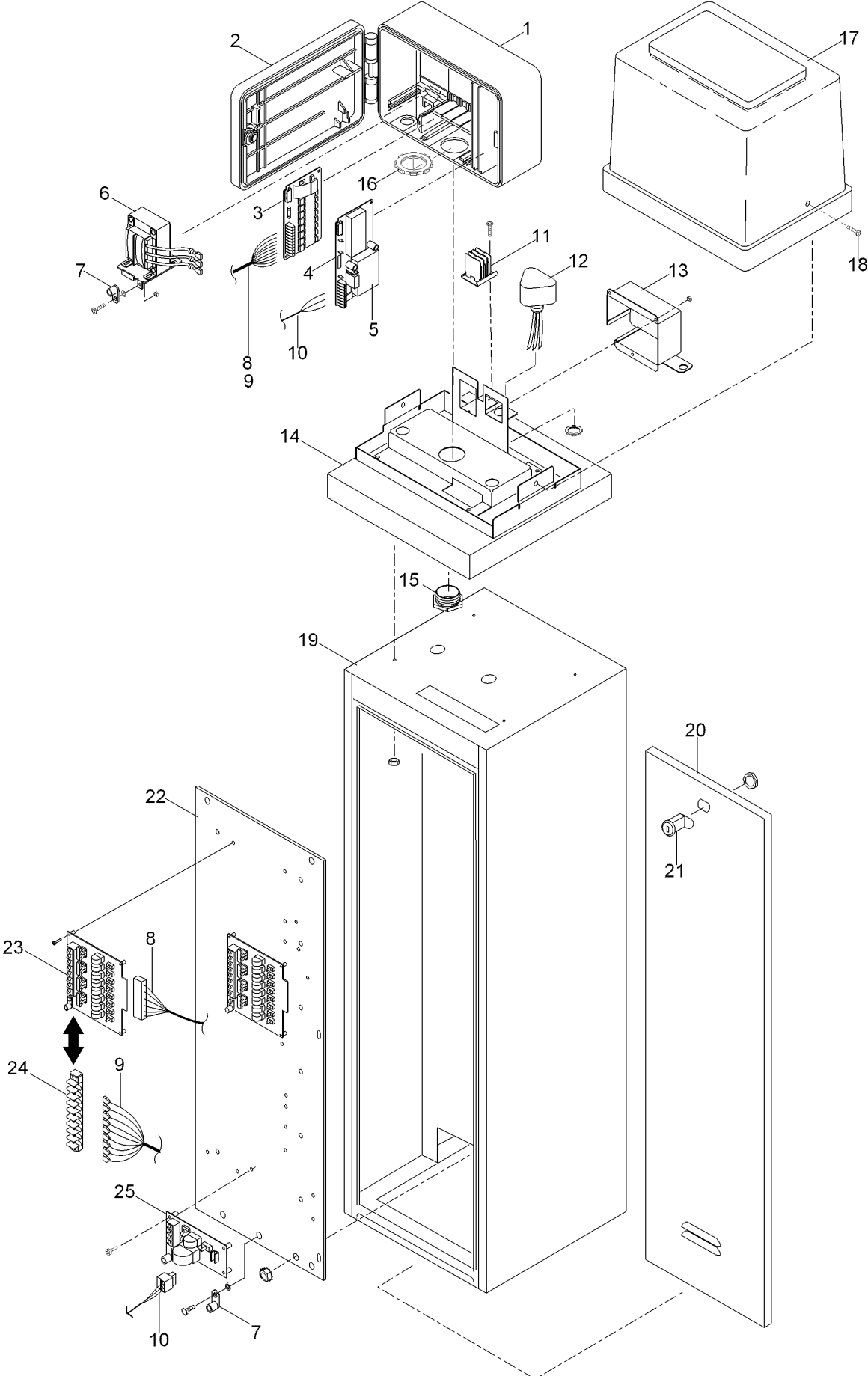
● (Includes Items 17-19)

▲ Quantity Varies With Model

♦ Order Through Finished Goods Distribution System - Minneapolis

■ Not serviced separately

OSMAC Satellite - 13 x 13 Metal Ped, Electric



OSMAC Satellite - 13 x 13 Metal Ped, Electric (continued)

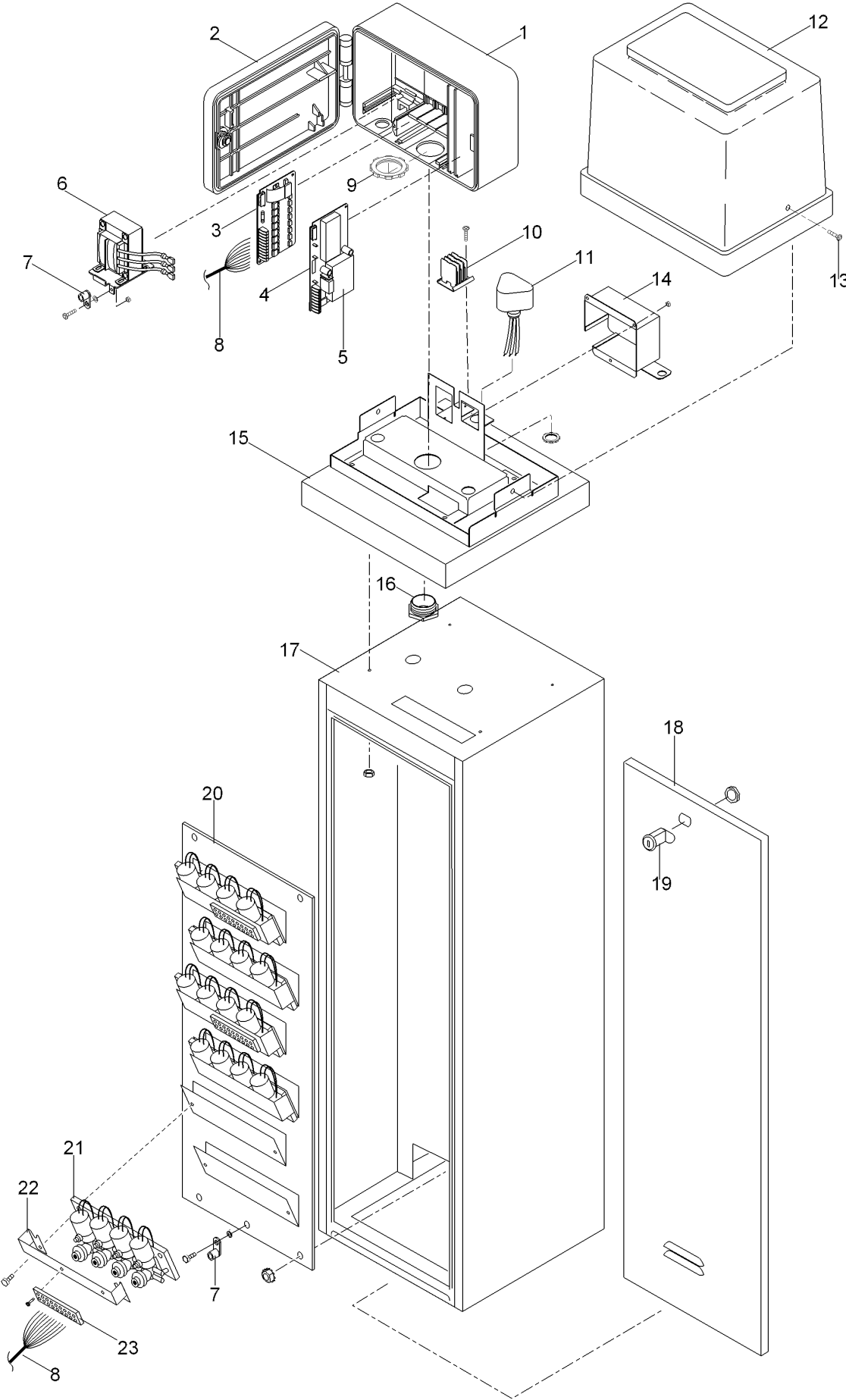
<i>Ref.</i>	<i>Part Number</i>	<i>Qty.</i>	<i>Description</i>	<i>Ref.</i>	<i>Part Number</i>	<i>Qty.</i>	<i>Description</i>
1		1	Housing, Rdr50 ●	11	363-2371	1	Terminal Block, 3-Position
2		1	Cover, Housing ●	12		1	Surge Protector, Osmac ●
3	NLN3491A	1	Output Pcb, 8-Station ▲	12	89-6870	1	Surge Protector, Osmac
4	NLN3485	1	Decoder Module Rdr50 ▲	13	91-1865	1	Cover, Safety, AC
4	NLN3794	1	Decoder Module Rdr16 ▲	14		1	Locknut, 1-1/4" ●
5	N1551-X	1	Receiver Module (See Finished Goods Price List For Specific Frequency) ▲	15		1	Conduit Nipple, 1-1/4" ●
				16	91-1884	1	Adapter, Osmac, 13" X 8.5", Sst
6	NPN8010	1	Transformer, 24 Vac ▲	17	91-1860	1	Cover, Osmac
7	363-1553	2	Lug, Grounding	18	363-3438	2	Screw, #10-32 X 3/4", Sst
8	91-1905		Cable Assy., Surge Protection, Short ■	19	89-7128	1	Cabinet Assy., Sst (Includes Items 17-19)
8	91-1906		Cable Assy., Surge Protection, Medium ■	20		2	Door ●
8	91-1907		Cable Assy., Surge Protection, Long ■	21	363-5369	2	Lock Assy., W/Keys
9	91-2151		Cable Assy., El, Short ■	22		1	Plate, Mounting ●
9	91-2152		Cable Assy., El, Medium ■	23	91-1957	1	Pcb, Surge Protection, 8-Station
9	91-2153		Cable Assy., El, Long ■	24		1	Terminal Block, 9-Position ●
10	91-2433	1	Cable Assy., Pump/Common	25	91-1305	1	Pcb Assy., Surge Protection, Pump/Com

● Not serviced separately

▲ Order Through Finished Goods Distribution System - Minneapolis

■ Quantity Varies With Model

OSMAC Satellite - 13 x 13 Metal Ped, Hydraulic



OSMAC Satellite - 13 x 13 Metal Ped, Hydraulic (continued)

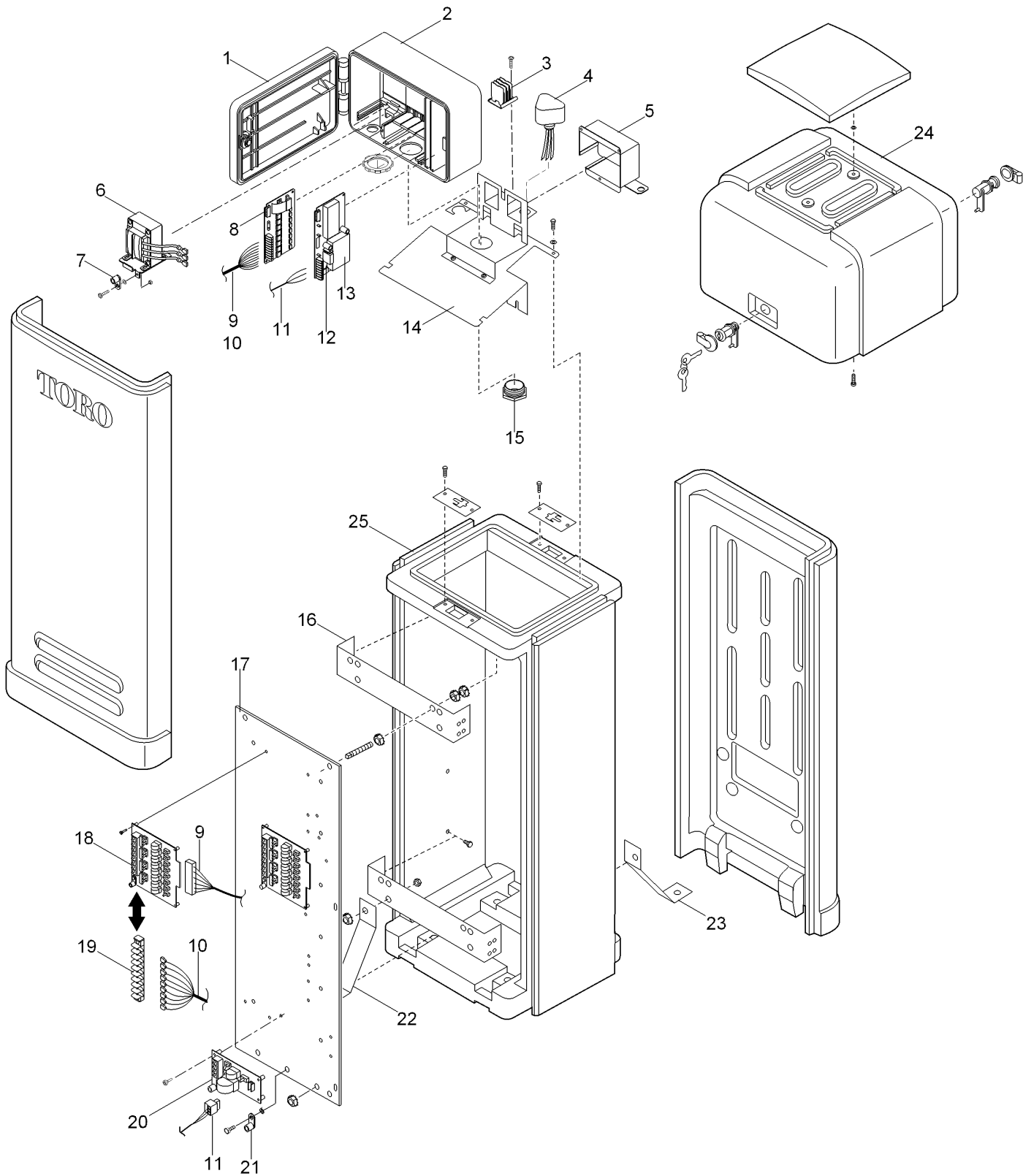
<i>Ref.</i>	<i>Part Number</i>	<i>Qty.</i>	<i>Description</i>	<i>Ref.</i>	<i>Part Number</i>	<i>Qty.</i>	<i>Description</i>
1		1	Housing, Rdr50 ●	12	91-1860	1	Cover, Osmac
2		1	Cover, Housing ●	13	363-3438	2	Screw, #10-32 X 3/4", Sst
3	NLN3491A	1	Output Pcb, 8-Station ▲	14	91-1865	1	Cover, Safety, AC
4	NLN3485	1	Decoder Module Rdr50 ▲	15	91-1886	1	Adapter, Osmac, 13 X 13, Sst
4	NLN3794	1	Decoder Module Rdr16 ▲	16		1	Conduit Nipple, 11/4" ●
5	N1551-X	1	Receiver Module (See Finished Goods Price List For Specific Frequency) ▲	17	89-7128	1	Cabinet Assy., Sst (Includes Items 17-19)
6	NPN8010	1	Transformer, 24 Vac ▲	18		2	Door ●
7	363-1553	1	Lug, Grounding	19	363-5369	2	Lock Assy., W/Keys Plate, Mounting ●■
8	91-1899		Cable Assy., Hydraulic, Short ■	20			Electric/Hydraulic Converter Module (See Electric-Hydraulic Converter Module Assy. Section) ●■
8	91-1901		Cable Assy., Hydraulic, Medium ■	21			Bracket Support, Electric/Hydraulic Converter ●■
8	91-1902		Cable Assy., Hydraulic, Long ■	22			Terminal Block, 9-Position ■
9		1	Locknut, 1-1/4" ●	23	363-3263		
10	363-2371	1	Terminal Block, 3-Position				
11		1	Surge Protector, Osmac ●				

● Not serviced separately

▲ Order Through Finished Goods Distribution System - Minneapolis

■ Quantity Varies With Model

OSMAC Satellite - Plastic Pedestal, Electric



OSMAC Satellite - Plastic Pedestal, Electric (continued)

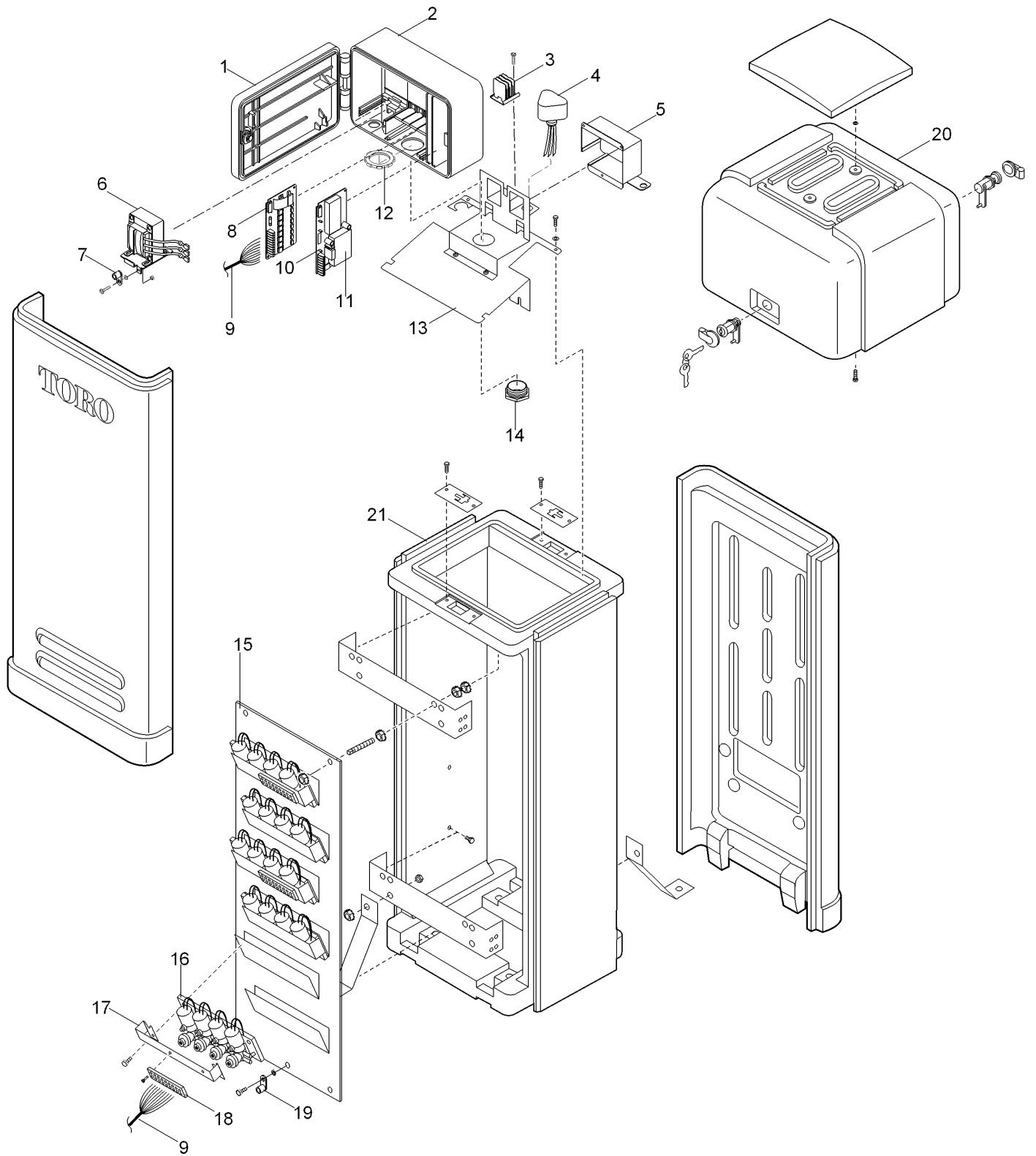
<i>Ref.</i>	<i>Part Number</i>	<i>Qty.</i>	<i>Description</i>	<i>Ref.</i>	<i>Part Number</i>	<i>Qty.</i>	<i>Description</i>
1		1	Cover, Housing ●	13	N1551-X	1	Receiver Module (See Finished Goods Price List For Specific Frequency) ▲
2		1	Housing, Rdr50 ●	14		1	Adapter, Osmac, Stainless Steel ●
3	363-2371	1	Terminal Block, 3-Position	15		1	Conduit Nipple, 1.25" ●
4		1	Surge Protector, Osmac ●	16		2	Bracket ●
5	91-1865	1	Cover, Safety, AC	17	91-1441	2	Mounting Plate, Rear
6	NPN8010	1	Transformer, 24 Vac ▲	18	91-1957		Pcb, Surge Protection, 8-Station ■
7	363-1553	2	Lug, Grounding	19	363-3263		Terminal Block, 9-Position ■
8	NLN3491A	1	Output Pcb, 8-Station ▲	20	91-1305	1	Pcb Assy., Surge Protection, Pump/Com
9	91-1905		Cable Assy., Surge Protection, Short ■	21	363-1553	1	Lug, Grounding
9	91-1906		Cable Assy., Surge Protection, Medium ■	22		1	Bracket Support ●
9	91-1907		Cable Assy., Surge Protection, Long ■	23		1	Bracket Support, Offset ●
10	91-2151		Cable Assy., El, Short ■	24	89-8344	1	Cover, Plastic, Tall
10	91-2152		Cable Assy., El, Medium ■	25		1	See Plastic Satellite Pedestal Section For Details. ●
10	91-2153		Cable Assy., El, Long ■				
11	91-2433	1	Cable Assy., Pump/Common				
12	NLN3485	1	Decoder Module Rdr50 ▲				
12	NLN3794	1	Decoder Module Rdr16 ▲				

● Not serviced separately

▲ Order Through Finished Goods Distribution System - Minneapolis

■ Quantity Varies With Model

OSMAC Satellite - Plastic Pedestal, Hydraulic



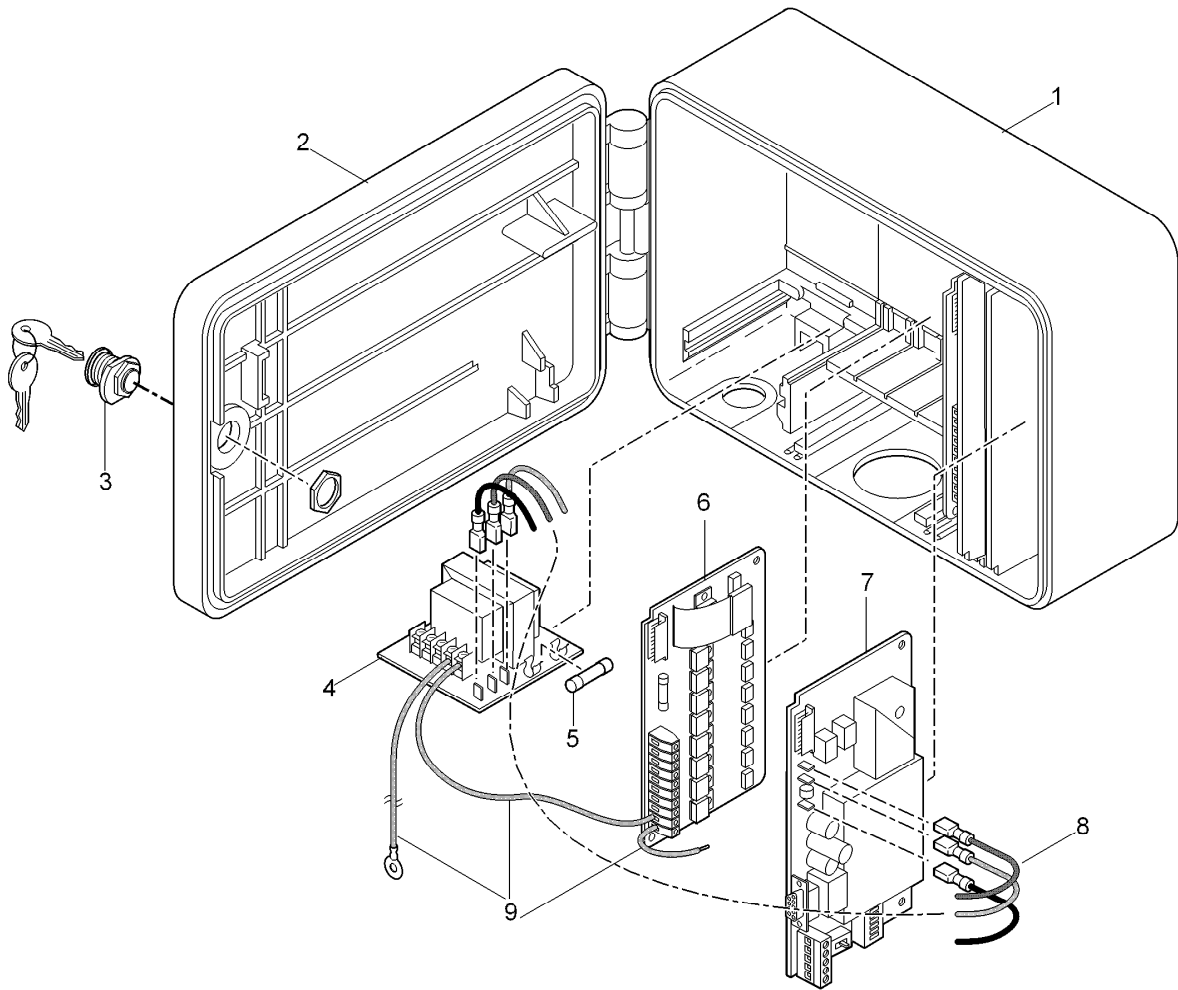
OSMAC Satellite - Plastic Pedestal, Hydraulic (continued)

<i>Ref.</i>	<i>Part Number</i>	<i>Qty.</i>	<i>Description</i>	<i>Ref.</i>	<i>Part Number</i>	<i>Qty.</i>	<i>Description</i>
1		1	Cover, Housing ●	12	363-3259	1	Locknut 1.25"
2		1	Housing, Rdr50 ●	13		1	Adapter, Osmac, Stainless Steel ●
3	363-2371	1	Terminal Block, 3-Position	14	363-3258	1	Conduit Nipple, 1.25"
4		1	Surge Protector, Osmac ●	15		2	Plate, Mounting ●
5	91-1865	1	Cover, Safety, AC	16			Electric/Hydraulic Converter Module (See Electric-Hydraulic Converter Module Assy. Section) ●■
6	NPN8010	1	Transformer, 24 Vac ▲	17	91-1562		Mounting Plate, Terminal Block ■
7	363-1553	2	Lug, Grounding	18	363-3263		Terminal Block, 9-Position ■
8	NLN3491A	1	Output Pcb, 8-Station ▲	19	363-1553	1	Lug, Grounding
9	91-1899		Cable Assy., Hydraulic, Short ■	20	89-8344	1	Cover, Plastic, Tall
9	91-1901		Cable Assy., Hydraulic, Medium ■	21		1	See Plastic Satellite Pedestal Section For Details. ●
9	91-1902		Cable Assy., Hydraulic, Long ■				
10	NLN3485	1	Decoder Module Rdr50 ▲				
10	NLN3794	1	Decoder Module Rdr16 ▲				
11	N1551	1	Receiver Module (Specify Frequency) ▲				

● Not serviced separately

▲ Order Through Finished Goods Distribution System - Minneapolis

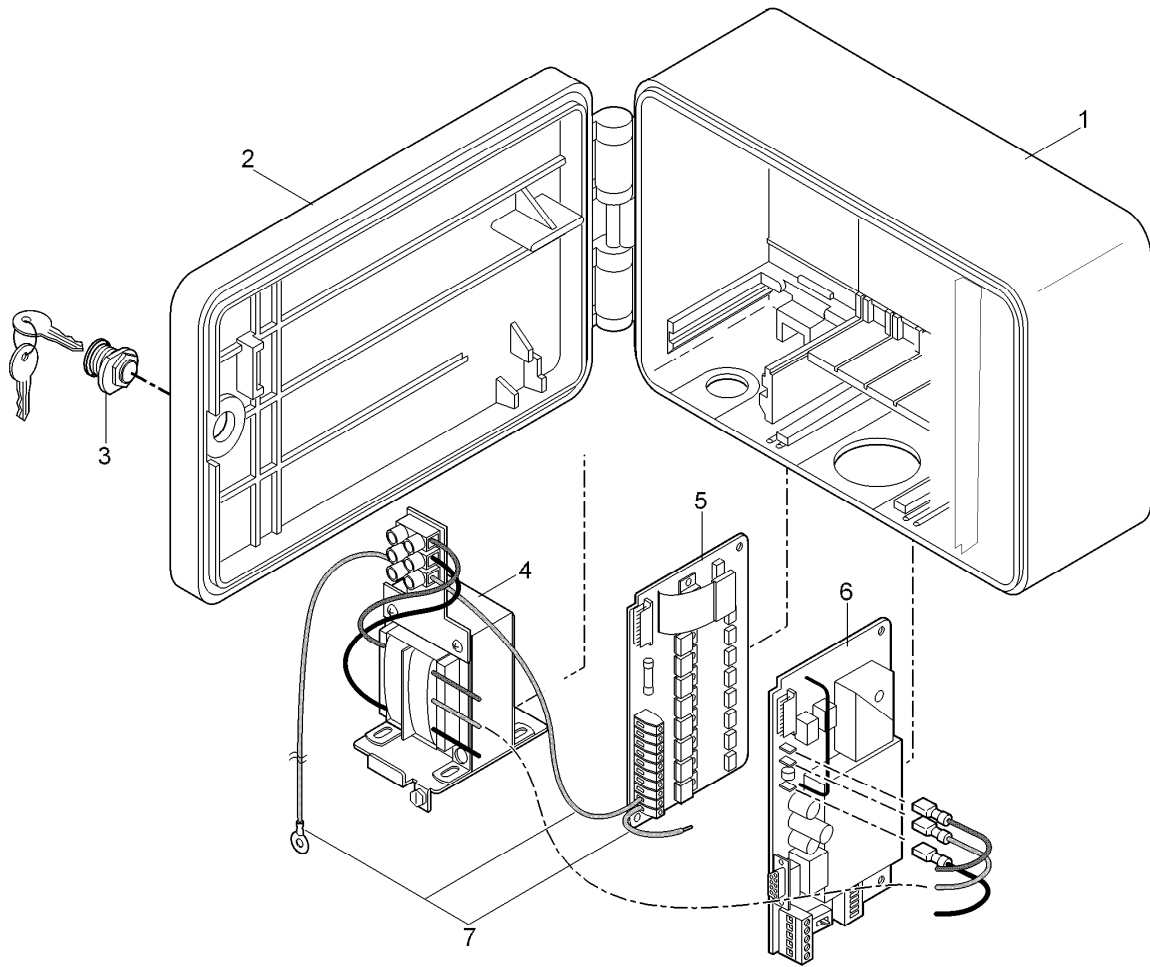
■ Quantity Varies With Model



OSMAC RDR - Model RDR0160LVNO

<i>Ref.</i>	<i>Part Number</i>	<i>Qty.</i>	<i>Description</i>
1	102-2921	1	Kit, Osmac Rdr Housing
2	102-2920	1	Kit, Osmac Rdr Housing Cover (Includes Item 3)
3	363-4120	1	Lock Assy. W/Keys
4	102-3067	1	24 To 12 V A.C. Transformer Board
5	102-3068	1	2A Slow-Blow Fuse
6	NLN3491A	2	Output Pcb, 8-Station ●
7	102-1828	1	Pcba, Osmac, Narrow-Band Decoder
8	102-3069	1	Kit, Power Wires, Rdr Lv
9	102-3077	1	Kit, Ground Wires (3)

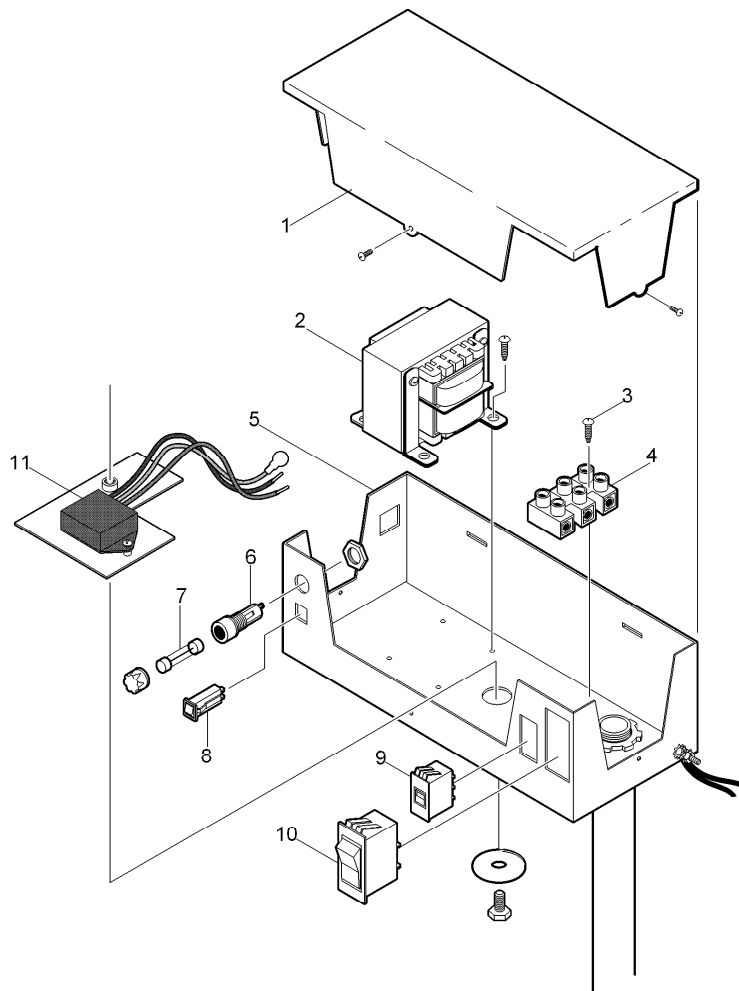
● Order Through Finished Goods Distribution System - Minneapolis



OSMAC RDR - Model RDR0160LVCE

<i>Ref.</i>	<i>Part Number</i>	<i>Qty.</i>	<i>Description</i>
1	102-2921	1	Kit, Osmac Rdr Housing
2	102-2920	1	Kit, Osmac Rdr Housing Cover
3	363-4120	1	Lock Assy. W/Keys
4	102-3076	1	24 To 12 V A.C. Transformer W/Terminal Block
5	NLN3491A	2	Output Pcb, 8-Station ●
6	102-1828	1	Pcba, Osmac, Narrow-Band Decoder
7	102-3077	1	Kit, Ground Wires (3)

● Order Through Finished Goods Distribution System - Minneapolis

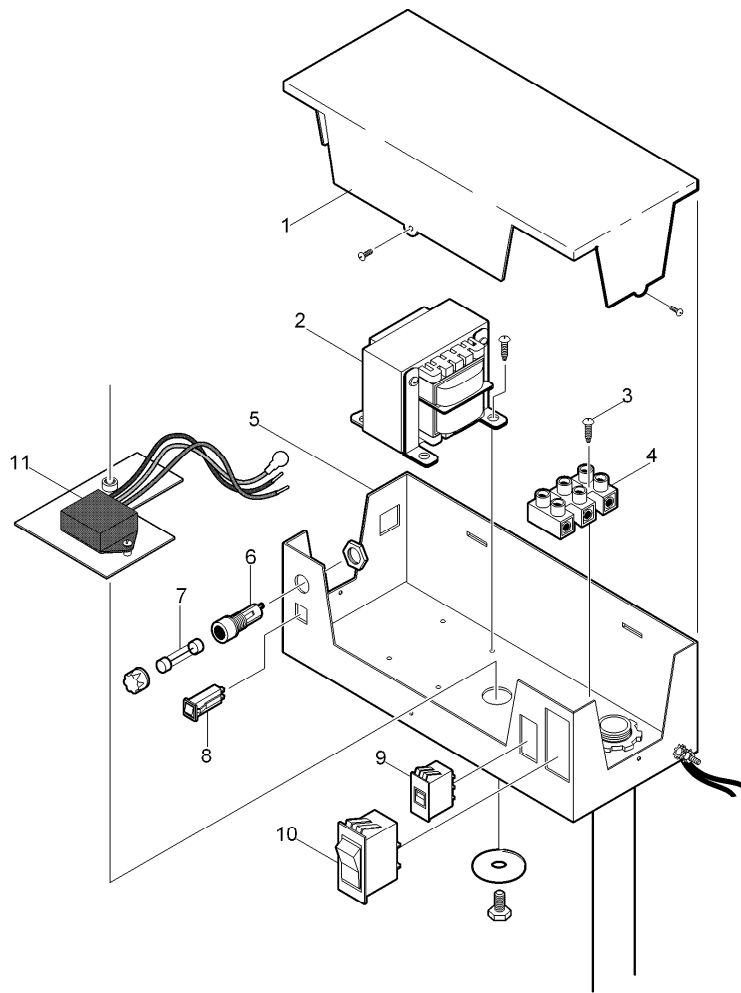


OSMAC RDR Unit - Power Supply Assembly

<i>Ref.</i>	<i>Part Number</i>	<i>Qty.</i>	<i>Description</i>
1		1	Cover ■
2	102-0647	1	Transformer Assy., Svc. ●
3		6	Screw, Tap, #6 ■
4	102-0667	1	Terminal Block, 115/230V, (Includes Item 3)
5		1	Bracket, Rdr Power Supply ■
6	102-0649	1	Fuse Holder W/Cap
7	102-0650	1	Fuse, 3.2 Amp, Slow-Blow (10-Pack) ●
8	102-0651	1	Circuit Breaker, 4.0 Amp
9	102-0648	1	Slide Switch 115/230V
10	102-0666	1	On/Off Switch
11	118-0538SK-RDR	1	Surge Protector Assy.

● SERVICE ITEMS

■ Not serviced separately

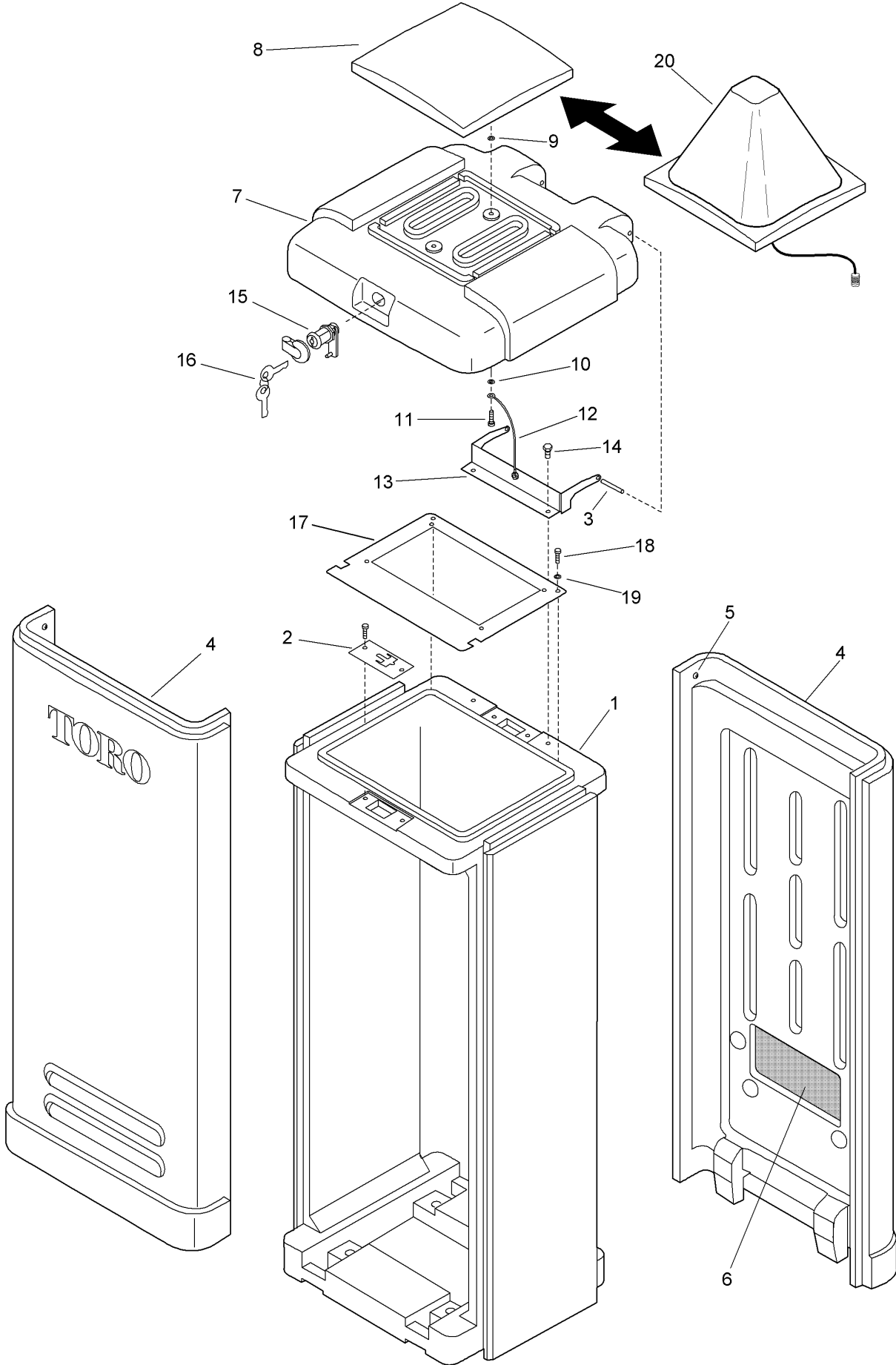


OSMAC RDR Unit - Power Supply Assembly (continued)

● SERVICE ITEMS

■ Not serviced separately

Plastic Satellite Pedestal 2006 And Earlier Models



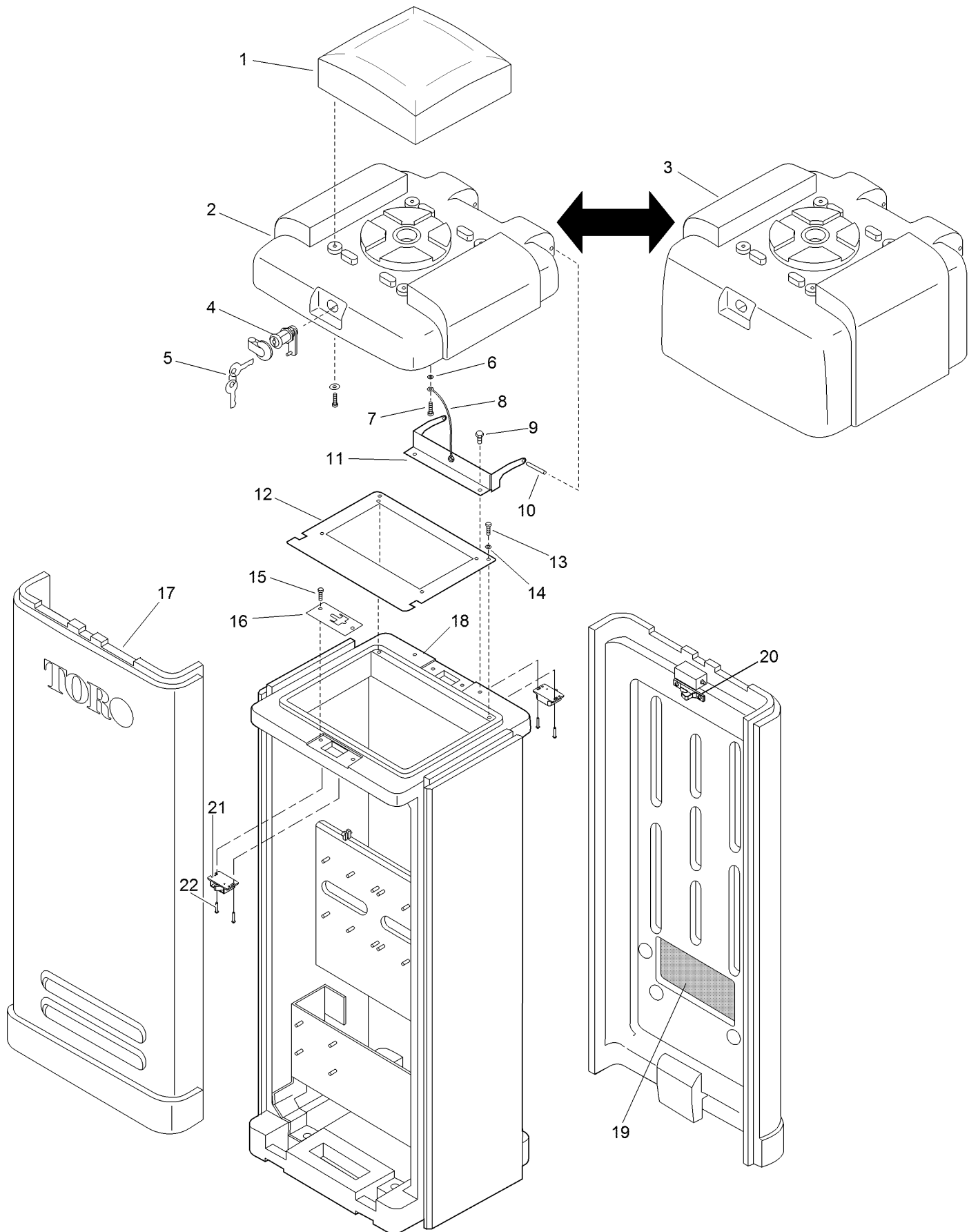
Plastic Satellite Pedestal 2006 And Earlier Models (continued)

<i>Ref.</i>	<i>Part Number</i>	<i>Qty.</i>	<i>Description</i>	<i>Ref.</i>	<i>Part Number</i>	<i>Qty.</i>	<i>Description</i>
1	89-8348	1	Base Assy., Service (Includes Items 2 & 3) ●	11	363-3438	1	Screw, #10-32 X 3/4", Sst
2	102-6155	1	Plate, Locking	12	102-3086	1	Cable, Restraining
3	363-3539	2	Pin	13	102-5915	1	Hinge, Cover
4	89-8347	1	Door Assy., Service ●	14	360-0595	2	Screw, Machine, 1/4-20 X 1/2"
5		2	Detent Latch Assy., Door ■	15	89-8346	1	Lock Kit, Service (Includes Items 15, 16 & Lock Cover) ●
6		2	Air Filter, Foam ■	16	360-0565	2	Keys, Lock (Golf #1382)
7	89-8345	1	Cover Assy., Standard, Service (Includes Items 8-16) ●	17	102-0664	1	Tm Mounting Faceplate
8	89-8355	1	Vent Cap Assy., Service (Includes Items 9-11) ●	18	363-3541	2	Screw, Trim, #6
9		2	Washer, Silicone ■	19	363-3542	2	Washer, Finish, #6
10		2	Washer, Flat ■	20	102-3126		Dome Antenna Assy., Used In Vp / Ltc+ And E-Osmac (2006 And Later Models)

● SERVICE ITEMS

■ Not serviced separately

Plastic Satellite Pedestal 2007-2010 Models



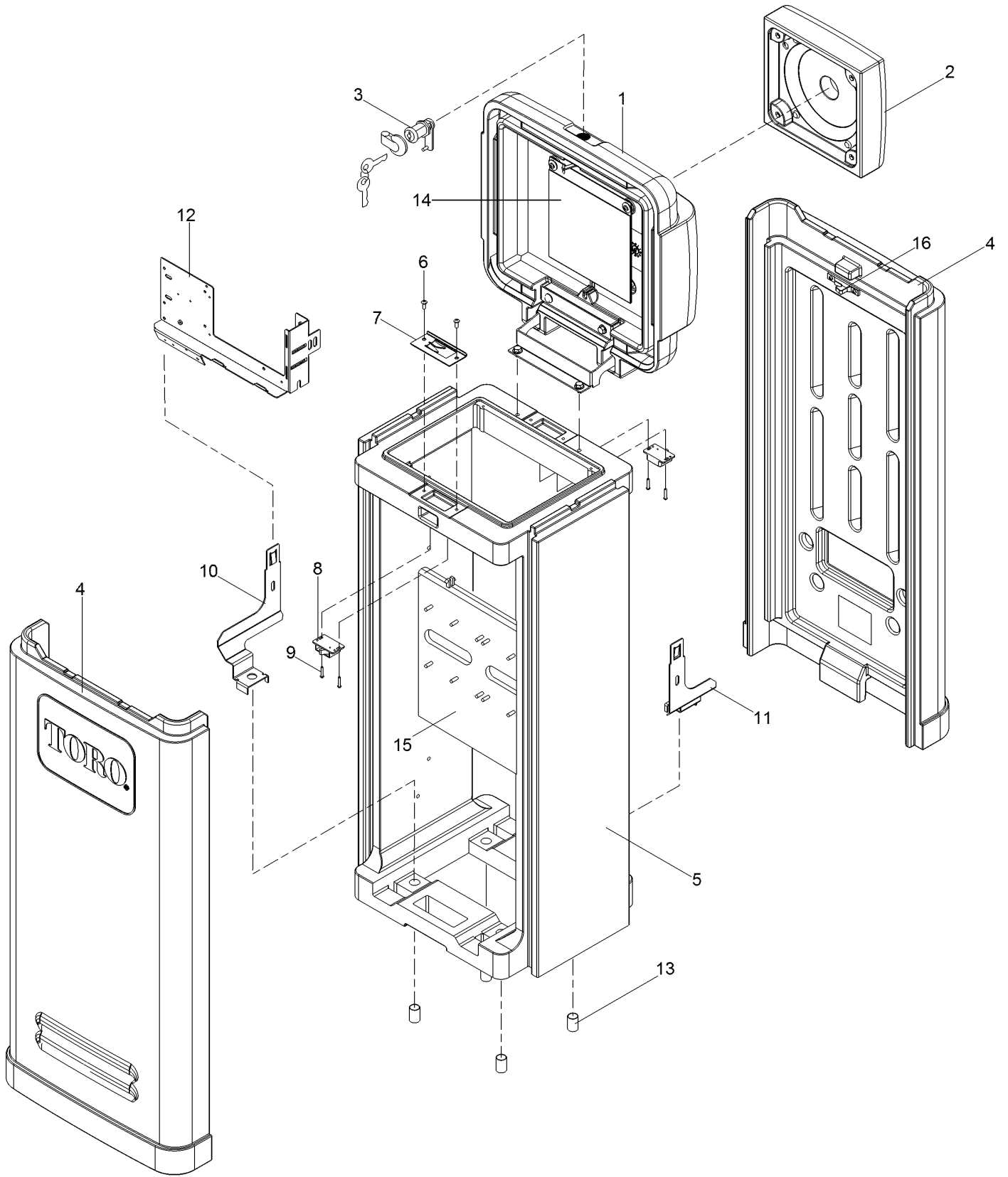
Plastic Satellite Pedestal 2007-2010 Models (continued)

<i>Ref.</i>	<i>Part Number</i>	<i>Qty.</i>	<i>Description</i>	<i>Ref.</i>	<i>Part Number</i>	<i>Qty.</i>	<i>Description</i>
1	102-4778SK	1	Cap, Vent, Green	13	363-3541	2	Screw, Trim, #6
2	102-6147SK	1	Cover, Plastic, Green (Includes Items 1-11)	14	363-3542	2	Washer, Finish, #6
3	102-6148SK	1	Cover, Plastic, Rdr	15	363-3707	2	Screw-PPH
4	89-8346	1	Lock Kit, Service ●	16	102-6155	1	Plate, Locking
5	360-0565	2	Keys, Lock	17	102-6146SK	2	Door, Plastic Pedestal, Green (Includes Items 17 And 19)
6		2	Washer, Flat ■	18	102-4775SK	1	Base, Plastic Pedestal, Green (Includes Items 15, 16 And 18)
7	363-3438	1	Screw, #10-32 X 3/4", Sst	19		2	Air Filter, Foam ■
8	102-3086	1	Cable, Restraining	20	363-9527SK	2	Keeper
9	360-0595	2	Screw, Machine, 1/4-20 X 1/2"	21	363-9526SK	2	Catch
10	363-3539	2	Pin	22	363-9529	4	Screw, #6 X 3/4
11	102-5915	1	Hinge, Cover				
12	102-0664	1	Tm Mounting Faceplate				

● SERVICE ITEMS

■ Not serviced separately

Plastic Satellite Pedestal 2011 and Later



Plastic Satellite Pedestal 2011 and Later (continued)

<i>Ref.</i>	<i>Part Number</i>	<i>Qty.</i>	<i>Description</i>	<i>Ref.</i>	<i>Part Number</i>	<i>Qty.</i>	<i>Description</i>
1	118-0825SK	1	Assy., Short Cover, Green (Includes Items 2 And 3)	8	363-9526SK	2	Catch
1	118-0826SK	1	Assy., Short Cover, Desert Sand (Includes Items 2 And 3)	9	363-9529	4	Screw, #6 X 3/4", SS
1	118-0827SK	1	Assy., Short Cover, Tree Bark (Includes Items 2 And 3)	10	102-8399SK	1	Bracket, Transformer Support, Right
2	102-4778SK	1	Ventcap, Plastic Pedestal, Green	11	102-8400SK	1	Bracket, Transformer Support, Left
2	102-6958SK	1	Ventcap, Plastic Pedestal, Desert Sand	12	102-8402SK	1	Transformer Mounting Plate
2	102-6959SK	1	Ventcap, Plastic Pedestal, Tree Bark	13	102-4774	4	Seamless Tube, SS, 11/16" X 1.00", Rohs
3	89-8346	1	Lock Kit, Service ●	14	118-0740	1	Holder, Document
4	118-0833SK	2	Door Assy., Plastic Pedestal, Green	15	89-9931SK	1	Mounting Front/Backplate, Plastic
4	118-0834SK	2	Door Assy., Plastic Pedestal, Desert Sand	16	363-9527SK	2	Keeper
4	118-0835SK	2	Door Assy., Plastic Pedestal, Tree Bark		118-1666SK	1	Pedestal, Retrofit Kit, Green (Includes Items 1-4) ■
5	102-4775SK	1	Kit, Service, Base, Pedestal, Green		118-1667SK	1	Pedestal, Retrofit Kit, Tree Bark (Includes Items 1-4) ■
5	102-6491SK	1	Plastic Pedestal Base, Desert Sand		118-1668SK	1	Pedestal, Retrofit Kit, Desert Sand (Includes Items 1-4) ■
5	102-6483SK	1	Plastic Pedestal Base, Tree Bark		118-0828SK	1	Complete Pedestal, Green (Includes Items 1-9 And 13) ■
6	363-3707	2	Screw-PPH		118-0829SK	1	Complete Pedestal, Tree Bark (Includes Items 1-9 And 13) ■
7	102-9312	1	Plate, Pedestal Latch, Rohs		118-0830SK	1	Complete Pedestal, Desert Sand (Includes Items 1-9 And 13) ■

● SERVICE ITEMS

■ Not illustrated



Count on it.