



2019 | PERFORMANCE PARTS CATALOG



YOU DIDN'T BUY A GENERIC MOWER.

DON'T SETTLE FOR GENERIC PARTS.



THERE'S NO SUBSTITUTE FOR AUTHENTIC TORO REPLACEMENT PARTS.

You bought genuine Toro equipment because you could count on it to deliver the best performance and value for your money. Could there be a better reason to buy genuine Toro replacement parts? Add in our competitive prices, fast delivery time, and you'll see there's no substitute. Get Toro replacement parts. **The right choice.**

www.toro.com/parts

TORO[®]

WHAT'S NEW?

Within this catalog, you'll find the Genuine Toro® Parts and accessories you'll need to keep your Toro equipment operating at its full potential. Our expanded parts inventory offers:

- Competitive market pricing
- Quality & Reliability – meets the highest standards
- Expanded – Quick Reference Guide







NEW FOR 2019

- Updated Featured Items
- New Toro PX Extended Life Hydraulic Fluid
- Reels+™ / EdgeSeries Reels+™ Reference Chart
- New MVP Kit - Outcross® 9060




FEATURED ITEMS



Turf Accessories

| | Equipment | Description | Part No. |
|--|---|--------------------------------------|----------|
|  | REELMASTER® GREENSMaster® | BRUSH AND HANDLE ASM | 29-9100 |
|  | REELMASTER® GREENSMaster® | GAUGE BAR ASM | 108-6715 |
|  | REELMASTER® GREENSMaster® | PAPER – TORO REEL | 125-5610 |
| | REELMASTER® GREENSMaster® | PAPER - TORO REEL BOOKLET | 125-5623 |
|  | VARIOUS | SERVICE AND PARTS MANUAL (USB DRIVE) | 137-5215 |
|  | BEDKNIFE AND REEL | GRIND ANGLE INDICATOR | 131-6828 |
| | BEDKNIFE AND REEL | GRIND ANGLE INDICATOR MOUNT | 131-6829 |
|  | REELMASTER® GREENSMaster® GROUNDMASTER® MULTI PRO (2005 & EARLIER) | MESH SEAT COVER – LARGE | 137-1312 |
| | WORKMAN® MULTI PRO® (2006 & UP) | MESH SEAT COVER – SMALL | 137-1311 |

Rollers

| | Equipment | Description | Part No. |
|--|------------------------|-----------------------------------|----------|
|  | GM 3500/4300/4500/4700 | ROLLER ASM - UHMW | 131-7800 |
| | | BALLAST KIT – UHMW ROLLER, 27" CU | 136-2881 |
| | | BALLAST KIT – UHMW ROLLER, 22" CU | 136-2915 |

NEW**Tires**

| | Equipment | Description | Part No. |
|---|-----------------------|---|-----------|
|  | RM 5010 SERIES | TIRE (20 X 12 - 10) 4-PLY SMOOTH REAR | 127-2796* |
| | RM 5010 SERIES | TIRE (26.5 X 14 - 12) 4-PLY SMOOTH FRONT | 133-2940* |
|  | GM 4000 SERIES | TIRE (26 X 12 - 12) 6-PLY HIGH TRACTION FRONT | 136-4442 |
| | GM 4000 SERIES | TIRE (20 X 10 - 10) 6-PLY HIGH TRACTION REAR | 136-4440 |

*Recommended for flat turf conditions

Lubricants**NEW!** Toro PX Extended Life Hydraulic Fluid. See page 12.**Batteries**

| Equipment | Description | Part No. |
|---|----------------|------------------------------|
| Greensmaster 3250D/TriFlex 3400 Reelmaster 5200D/5400D/5500D Groundsmaster 225/228/3320/3280D/7200/ 7210/360 Workman MDX-D/3100/HD/HDX/HDX-D/HDX-Auto Multi-Pro 1250/1200 ProForce Debris Blower | DRY BATTERY | 106-5187 |
| Reelmaster 6500D/6700D/7000D Groundsmaster 328D/3000D/5900/5910/4500D/4700D Workman 3100/3200/3300D/4300D/ Multi-Pro 5600D/5700D/5800D/5800G 66" Rake-O-Vac | DRY BATTERY | 106-5190 |
| ProCore Processor HydroJect 3010 Pro Force Debris Blower | DRY BATTERY | 108-1260 |
| Pro Force Debris Blower | BATTERY - DOOR | 121-2756 |
| Greensmaster TriFlex 3400/3420 Groundsmaster 3500D/3505D/4300D Reelmaster 2000D/3100D/3550/5010-H/5210/5410 (G/D)/5510 (G/D)/5610D | WET BATTERY | 104-9979 (Order 132-8621) |

TABLE OF CONTENTS



INTRODUCTION 1-3

QUICK REFERENCE GUIDE

Application Guide

Service Reel Reference Chart 8-9

Bedknife Reference Chart 10-11

Lubricants 12-13

MVP Kits 14-15

Cutting Unit Overhaul Kits 16-17

Rear Roller Brush Kits for Universal Groomer 17

Seal Kits 17

Bearings Kits 18

Cutting Unit Hydraulic Hose Kits 18-19

Roller Rebuild Kits 19-20

Groundsmaster® Deck Kits 20-21

Groundsmaster Blade & Belt Kits 22

Groundsmaster Caster Wheel Kits 22-23

Groundsmaster Blade Packs 23

Filter Kits - Greensmaster® 24

Filter Kits - Reelmaster® 24-25

Filter Kits - Groundsmaster 25-27

Filter Kits - HydroJect® & Workman® 27

Touch-Up Paint 28

Bearings 30-38

Belts 39-42

Blades Reference Chart 44-45

Blades 46-47

Filters 48-59

Nozzle Application Guide 60-62

Tires 64-67

Rollers 68-70

GREENSMASTER®

Greensmaster — Walkers

Greensmaster Roller Parts

1000/1600/2000/2600 74-81

Greensmaster Flex

1800/2100 (18/21) and eFlex 1800/2100 82-85

Greensmaster 3100 88

Greensmaster 3150/3120 Series

Traction Unit Parts 90-91

GREENSMASTER® (cont.)

Greensmaster 3250 Series

Traction Unit Parts 92-93

3150/3120/3250 Style DPA (Dual Point Adjust)

Cutting Units 94-97

Vertical Cutter Assembly 98-99

Dethatcher/Tri-Roller/Spiker 100-101

Carrier Frame & Lift Pivot Parts 102-105

Hydraulic Hoses 106

TriFlex® And TriFlex Hybrid

Traction Unit 107

Cutting Unit 108-109

REELMASTER®

Reelmaster® 216/2000D/2300D/2600D/3100D

Traction Unit Parts 112-114

Cutting Unit Parts 116-119

DPA (Dual Point Adjust)

Cutting Unit Parts 120-123

Reelmaster 335D/3500D/450D/4000D/4500D

Traction Unit Parts 124-125

Cutting Unit Parts 126-131

Reelmaster 223D/5100D/5200D/5300D/5500D

Traction Unit Parts 132-133

Cutting Unit Parts 134-137

Dethatching Reel Parts 138-139

Reelmaster 5010-H/5210/5410/5510/5610

Traction Unit Parts 140-141

Cutting Unit Parts 142-147

Reelmaster 5500D/6500D/6700D

Traction Unit Parts 148-149

5500D/6500D/6700D SPA (Single Point Adjust)

Cutting Unit Parts 150-153

6500D/6700D DPA (Dual Point Adjust)

Cutting Unit Parts 154-157

Reelmaster 7000D

Traction Unit Parts 158

Cutting Unit Parts 160-163

Reelmaster 3550D/3555/3575

Traction Unit Parts 164-165

Cutting Unit Parts 166-169



GANGMOWERS

| | |
|--------------------------------------|---------|
| Transport Frame | 172-173 |
| Reelmaster Reel & Bedbar Parts | 174-175 |
| Reelmaster Gear Case Parts | 176-177 |
| Gangmower Roller Parts | 178 |
| Gangmower Wheel Parts | 179 |

GROUNDMASTER®

| | |
|------------------------------|---------|
| Groundmaster 580D | |
| Traction Unit Parts | 182-185 |
| Cutting Unit Parts | 182-185 |
| Groundmaster 3000/3000D | |
| Traction Unit Parts | 186 |
| Cutting Unit Parts | 190-193 |
| Groundmaster 3280D/3320 | |
| Traction Unit Parts | 187-188 |
| Cutting Unit Parts | 190-193 |
| Groundmaster 3500D/3505D | |
| Traction Unit Parts | 194-197 |
| 27" Cutting Unit Parts | 202-203 |
| Groundmaster Tier 4 Models | |
| Traction Unit Parts | 198-200 |
| Groundmaster 4000D/4100D | |
| Traction Unit Parts | 194-197 |
| Cutting Unit Parts | 204-207 |
| Groundmaster 4500D/4700D | |
| Traction Unit Parts | 194-197 |
| 27" Cutting Unit Parts | 202-203 |
| Groundmaster 4300D | 208-209 |
| Groundmaster 5900D/5910 | |
| Traction Unit Parts | 210 |
| Cutting Unit Parts | 211 |
| Groundmaster 7200/7210 | |
| Traction Unit Parts | 212 |
| Cutting Unit Parts | 214-215 |
| Groundmaster 360 Series | |
| Traction Unit Parts | 216-217 |
| Cutting Unit Parts | 218-219 |

AERATORS

| | |
|-------------------------------------|---------|
| Hydroject® 3000/4000 Series | 222 |
| ProCore® 440/660/880 | 223 |
| Tines – 3/8" Mount | 224 |
| Tines – 3/4" Mount | 225-226 |
| Tines – 7/8" And Needle Mount | 226-227 |
| Turf Aerator 686/687 Tines | 227 |
| ProCore® 648/864/1298 | 228-229 |
| Tines – 3/8" Mount | 230 |
| Tines – 3/4" Mount | 231-232 |
| Tines – 7/8" And Needle Mount | 233 |
| Tines For Competitive Models - | |
| 1/2" & 5/8" Mount | 234 |
| ProCore SR Series | 235-237 |

UTILITY VEHICLES/SPRAYERS

| | |
|------------------------|---------|
| Workman® Series | 240-245 |
| Multi-Pro® | 246-251 |
| Trailer Sprayers | 251 |

SPECIALTY EQUIPMENT

| | |
|-------------------------------|---------|
| Sand Pro®/Infield Pro® | 254-259 |
| ProCore® Core Processor | 260 |
| Line Painter | 262 |
| Rake-O-Vac | 262 |
| Rake-O-Vac Sweeper | 262 |
| Turf Sweeper 4800 | 262 |
| Top Dressers | 263 |

PARTS LIST



QUICK REFERENCE GUIDE

| | | | | | |
|-----------|------------------------------|-----------|------------------------|-----------|--------------------------|
| 8 | Service Reel Reference Chart | 30 | Bearings | 48 | Filters |
| 10 | Bedknife Reference Chart | 39 | Belts | 60 | Nozzle Application Guide |
| 12 | Lubricants | 44 | Blades Reference Chart | 64 | Tires |
| 14 | MVP Kits | 46 | Blades | 68 | Rollers |

REELS+™ EDGESERIES REELS+™

Save Time, Save Money

PLUS Everything you need for replacing your reels is included and pre-assembled

PLUS Parts professionally assembled at the factory

PLUS Uses all genuine Toro parts

PLUS Less time and labor for you, saving you money and resources

FLOCK SEALS

BEARINGS

SPACERS

**CONTACT YOUR TORO
DISTRIBUTOR FOR DETAILS.**



QUICK REFERENCE GUIDE
REELS+™ / EDGESERIES REELS+™

Service Reel Reference Chart - Fairway

| Reelmaster Unit | Reel Length | Reel Diameter | Service Limit/Life | Cutting Unit Model | Reels+™ | | | | EdgeSeries (ES) Reels+™ | | | |
|--|------------------------------------|----------------------------------|--------------------------------------|--------------------|-----------|---------|-----------|-----------|-------------------------|-----------|-----------|-----------|
| | | | | | 5-Blade | 7-Blade | 8-Blade | 11-Blade | 5-Blade | 8-Blade | 11-Blade | |
| 3550 | 18" (457 mm) | 5" (127 mm) | 4.5" (114 mm) | 03911** | | | 131-3201* | | | 133-0109* | | |
| | | | | 03480** | | | | | 137-8406 | | | |
| | | | | 03485ES | | | | | | | | |
| | | | | 03912** | | | 131-3202* | | | 137-8407 | | |
| 3550 - Rear Only 3555 5010-H 5410 Low-drag DPA Cutting Units (Aluminum Side Plates) | 22" (559 mm) 22" (559 mm) | 5" (127 mm) 5" (127 mm) | 4.5" (114 mm) 4.5" (114 mm) | 03913** | | | 131-3203* | | | 137-8426 | | |
| | | | | 03482** | | | | | 137-8426 | | | |
| | | | | 03634 | | | | | | | | |
| | | | | 03487ES | | | | | | | | |
| 3575 5010-H 5510 / 5610 Low-drag DPA Cutting Units (Aluminum Side Plates) | 22" (559 mm) | 7" (178 mm) | 6.6" (165 mm) | 03638 ES | | | | | 133-8205* | 131-6805* | | |
| | | | | 03639 ES | | | | | Service Only | 137-8446 | | |
| | | | | 03641 ES | | | | | | | 137-8447 | |
| | | | | | | | | | | | | |
| 5210 5410 DPA Cutting Units (Painted Red Side Plates) | 22" (559 mm) | 5" (127 mm) | 4.5" (114 mm) | 03661 | | | 137-8416 | | 137-8421 | 137-8422 | | |
| | | | | 03694 | 127-2070* | | | 137-8417 | Service Only | | 137-8423 | |
| | | | | 03695 | | | | | | | | |
| 5510 5610 6500 6700 DPA Cutting Units (Painted Red Side Plates) | 22" (559 mm) | 7" (178 mm) | 6.6" (168 mm) | 03681 | | | 137-8432 | | 133-8209* | 137-8438 | | |
| | | | | 03863 | | | | | Service Only | | | |
| | | | | 03696 | | | | | | | | |
| | | | | 03698 | | | | | | | | |
| 3100 7000 Low-drag DPA Cutting Units (Aluminum Side Plates) | 27" (686 mm) | 7" (178 mm) | 6.6" (168 mm) | 03864 | | | | | | | | |
| | | | | 03682 | | | | 137-8433 | | | | |
| | 32" (813 mm) | 7" (178 mm) | 6.6" (168 mm) | 03697 | | | | | | | | |
| | | | | 03699 | | | | | | | 137-8439 | |
| 3100 7000 DPA Cutting Units (Painted Red Side Plates) | 27" (686 mm) | 7" (178 mm) | 6.6" (168 mm) | 03188 ES | | | | | 133-0182* | | | |
| | | | | 03189 ES | | | | | | | 137-8470 | |
| | | | | 03721 ES | | | | | | | | |
| | | | | 03190 ES | | | | | | | | 133-8278* |
| 3100 7000 DPA Cutting Units (Painted Red Side Plates) | 27" (686 mm) | 7" (178 mm) | 6.6" (168 mm) | 03191 ES | | | | | 137-8482 | 133-0195* | | |
| | | | | 03727 ES | | | | | Service Only | | | |
| | | | | 03180 | 127-2093* | | | | | | | |
| | | | | 03710 | | | 127-2094* | | | 133-8269* | | |
| 3100 7000 DPA Cutting Units (Painted Red Side Plates) | 27" (686 mm) | 7" (178 mm) | 6.6" (168 mm) | 03181 | | | | | | | | |
| | | | | 03183 | | | | 127-2095* | | | 133-8271* | |
| | | | | 03711 | | | | | | | | |
| | | | | 03182 | 127-2104* | | 137-8477 | | | 133-8273* | | |
| 5 7 11 TDM (Turf Driven Mower) SPA Cutting Units | 30" (762 mm) | 8" (203 mm) | 7.6" (193 mm) | 01005 | 130-0075* | | | | | | | |
| | | | | 01007 | | | 130-0071* | | | | | |
| | | | | 01011 | | | | | 130-0081* | | | |
| | | | | | | | | | | | | |
| 5200 5300 5400 4 Bolt Cutting Units | 21" (533 mm) | 5" (127 mm) | 4.5" (114 mm) | 03527 | 130-0088* | | | | | | | |
| | | | | 03506 | | | | | | | | |
| | | | | 03509 | | | | 130-0093* | | | | |
| | | | | 03528 | | | | | | | | |
| 6500 6700 SPA Cutting Units | 22" (559 mm) | 7" (178 mm) | 6.6" (168 mm) | 03860 | 137-8451 | | | | | | | |
| | | | | 03861 | | | 137-8452 | | | | | |
| | | | | 03862 | | | | | 137-8453 | | | |

*Reels+ / EdgeSeries Reels+ not available
 1.) Reel blade relief grind angle for all reels: 30 ° +/- 5 °
 2.) Fairway relief grinding required when land width is greater than 0.125" (3.2 mm)
 3.) Maximum allowed taper on all reels is 0.010" (.2 mm)

RR: Radial Reel FSR: Forward Swept Reel ES: EdgeSeries™ Cutting Unit

| Service Reel Reference Chart - Greens | | | | | | | | | | | | |
|--|-----------------|----------------|--------------------|--------------------|------------|---------------------------------------|-----------|-----------|-------------------------|-----------|-----------|-----------|
| Greensmaster Unit | Reel Length | Reel Diameter | Service Limit/Life | Cutting Unit Model | Reels+ | | | | EdgeSeries (ES) Reels+™ | | | |
| | | | | | 5-Blade HD | 8-Blade | 11-Blade | 14-Blade | 8-Blade | 11-Blade | 14-Blade | |
| Flex & eFlex 1800 / 1820 (2012 & newer) | 18" (457 mm) | 5" (127 mm) | 4.5" (114 mm) | 04253 | | | 127-2164* | 127-2165* | | | | |
| | | | | 04254 | | | | | | | | |
| | | | | 04289 ES | | | | | 132-7357* | 137-8523 | | |
| | | | | 04291 ES | | | | | | | | |
| Flex 18 (2011 & older) | 18" (457 mm) | 5" (127 mm) | 4.5" (114 mm) | 04206 | | | 127-2156* | 127-2157* | | | | |
| | | | | 04207 | | | | | | | | |
| 800 Integral Cutting Unit | 18" (457 mm) | 5" (127 mm) | 4.5" (114 mm) | 04054 ES | | | 127-2160* | 127-2161* | | 132-7353* | 132-7354* | |
| Flex & eFlex 2100 / 2120 (2012 & newer) | 21" (533 mm) | 5" (127 mm) | 4.5" (114 mm) | 04251 | | | | | | | | |
| | | | | 04252 | | | | | | | | |
| | | | | 04290 ES | | | | | 137-8511 | 137-8512 | 137-8513 | |
| | | | | 04292 ES | | | | | | | | |
| Flex 21 (2011 & older) | 21" (533 mm) | 5" (127 mm) | 4.5" (114 mm) | 04200 | | | | | | | | |
| | | | | 04202 | | 127-2174* | 127-2176* | 127-2177* | | | | |
| | | | | 04208 | | | | | | | | |
| 1000 / 1010 / 2000 Integral Cutting Unit | 21" (533 mm) | 5" (127 mm) | 4.5" (114 mm) | 04036 | | | | | | | | |
| | | | | 04052 | | | | | | | | |
| | | | | 04034 | | | | | | 132-7312* | 132-7313* | 132-7314* |
| | | | | 04038 ES | | | | | | | | |
| | | | | 04055 ES | | | | | | | | |
| 1600 / 1610 / 2600 Integral Cutting Unit | 26" (660 mm) | 5" (127 mm) | 4.5" (114 mm) | 04037 | | | | | | | | |
| | | | | 04060 | | 127-2206* | 127-2207* | | | | | |
| | | | | 04035 | | | | | | 132-7361* | 132-7362* | |
| | | | | 04039 ES | | | | | | | | |
| | | | | 04056 ES | | | | | | | | |
| 3000 / 3100 / 3200 / 3300 / 3400 Low Drag DPA Seal Cutting Unit (2012 & newer) | 21" (533 mm) | 5" (127 mm) | 4.5" (114 mm) | 04613 | | | | | | | | |
| | | | | 04614 | | | | | | | | |
| | | | | 04615 | | | | | | | | |
| | | | | 04618 | | | | | | | | |
| | | | | 04619 | | | | | | | | |
| | | | | 04624 | | | | | | | | |
| | | | | 04651 ES | | HD: 130-0120* | | | | 137-8511 | 137-8512 | 137-8513 |
| | | | | 04652 ES | | | | | | | | |
| | | | | 04653 ES | | | | | | | | |
| | | | | 04654 ES | | | | | | | | |
| 3000 / 3100 / 3200 DPA Cutting Units (2011 & older) | 21" (533 mm) | 5" (127 mm) | 4.5" (114 mm) | 04610 | | | | | | | | |
| | | | | 04611 | 131-2013* | 127-2193* 8-Blade HD: 131-2014* | 127-2194* | 127-2195* | | | | |
| | | | | 04616 | | | | | | | | |

*Reels+ / EdgeSeries Reels+ not available
 1.) Reel blade relief grind angle for all reels: 30° +/- 10°
 2.) Relief grinding required when land width is greater than 0.100" (2.5 mm)
 3.) Maximum allowed taper on all reels is 0.010" (.2 mm)
 4.) EdgeSeries Reels standard on 2016 models and newer

HD: Heavy Duty **ES:** EdgeSeries™ Cutting Unit

8/1/2018

QUICK REFERENCE GUIDE
BEDKNIVES

| Bedknives Reference Chart - Fairway | | | | | | | | |
|---|--|-----------------------------------|----------------|--------------------|----------|--------------------|-----------|-------------|
| Reelmaster Unit | Description | HOC Range | Bedknife Holes | Lip Height** | Standard | EdgeMax™ | Top Angle | Front Angle |
| 3550 EdgeSeries™ Cutting Units DPA Cutting Units | 18" (457 mm) Low Cut | 1/4" - 1/2" (6.4 mm - 12.7 mm) | 6 | .220" (5.59 mm) | 121-3167 | 137-0830 Insert | 10° | 5° |
| | 18" (457 mm) Fairway Cut | 3/8" and up (9.5 mm and up) | 6 | .270" (6.90 mm) | 121-3166 | 137-0831 Insert | 10° | 5° |
| | 22" (559 mm) Low Cut | 1/4" - 1/2" (6.4 mm - 12.7 mm) | 8 | .220" (5.59 mm) | 110-4084 | 137-0832 Insert | 10° | 5° |
| | 22" (559 mm) Fairway Cut | 3/8" and up (9.5 mm and up) | 8 | .270" (6.90 mm) | 108-9096 | 137-0833 Insert | 10° | 5° |
| 3555 / 3575 5010-H 5210 5410 5510 5610 6500 6700 EdgeSeries Cutting Units DPA Cutting Units | 22" (559 mm) Low Cut | 1/4" - 1/2" (6.4 mm - 12.7 mm) | 8 | .220" (5.59 mm) | 110-4084 | 137-0832 Insert | 10° | 5° |
| | 22" (559 mm) Low Cut Extended | 1/4" - 1/2" (6.4 mm - 12.7 mm) | 8 | .220" (5.59 mm) | 120-1640 | 119-4280 Solid | 10° | 10° |
| | 22" (559 mm) Fairway Cut | 3/8" and up (9.5 mm and up) | 8 | .270" (6.90 mm) | 108-9096 | 137-0833 Insert | 10° | 5° |
| | 22" (559 mm) Fairway Cut - Heavy Duty | 1/2" and up (12.7 mm and up) | 8 | .370" (9.4 mm) | 110-4074 | | 10° | 5° |
| 3100 7000 EdgeSeries Cutting Units DPA Cutting Units | 27" (686 mm) Fairway Cut | 3/8" and up (9.5 mm and up) | 10 | .270" (6.90 mm) | 114-9388 | 112-8910 Insert | 10° | 5° |
| | 27" (686 mm) Low Cut Extended | 1/4" - 1/2" (6.4 mm - 12.7 mm) | 10 | .220" (5.59 mm) | 120-1641 | | 10° | 10° |
| | 27" (686 mm) Fairway Cut - Heavy Duty | 1/2" and up (12.7 mm and up) | 10 | .370" (9.4 mm) | 114-9390 | | 10° | 5° |
| | 32" (813 mm) Fairway Cut | 3/8" and up (9.5 mm and up) | 12 | .270" (6.90 mm) | 114-9389 | | 10° | 5° |
| | 32" (813 mm) Low Cut Extended | 1/4" - 1/2" (6.4 mm - 12.7 mm) | 12 | .220" (5.59 mm) | 120-1642 | | 10° | 10° |
| | 32" (813 mm) Fairway Cut - Heavy Duty | 1/2" and up (12.7 mm and up) | 12 | .370" (9.4 mm) | 114-9391 | | 10° | 5° |
| 5 7 11 TDM (Turf Driven Mower) SPA Cutting Units | 31" (787 mm) 11 Blade Reel | 3/8" and up (9.5 mm and up) | 11 | .280" (7.11 mm) | 47-6680 | | 10 | 30 |
| | 31" (787 mm) 5 & 7 Blade Reel | 1/2" and up (12.7 mm and up) | 11 | .380" (9.65 mm) | 49-7660 | | 10 | 30 |
| 5200 5300 5400 4-Bolt Cutting Units | 21" (533 mm) Fairway Cut | 3/8" and up (9.5 mm and up) | 7 | .270" (6.90 mm) | 63-8610 | 137-0879 Insert | 10° | 10° & 5° |
| | 21" (533 mm) Fairway Cut - Heavy Duty | 1/2" and up (12.7 mm and up) | 7 | .345" (8.76 mm) | 100-3350 | | 10° | 10° |

** Service limit (worn out condition) for all Fairway Bedknives is when the bedknife lip height is 0.190" (4.8 mm)

8/1/2018

Bedknives Reference Chart - Greens

| Greensmaster Unit | Description | HOC Range | Bedknife Holes | Standard | EdgeMax™ | Minimum Top Angle | Front Angle |
|--|---------------------------------------|------------------------------------|----------------|----------|-----------------|-------------------|---------------|
| 800 Integral Cutting Unit Flex 18 Flex & eFlex 1800 / 1820 | 18" (457 mm) Low Cut | 3/16" - 1" (4.8 mm - 25.4 mm) | 11 | 110-2301 | | 3° | 13° + 4° - 0° |
| | 18" (457 mm) Micro Cut | 1/16" - 3/16" (1.6 mm - 4.8 mm) | 11 | 98-7261 | 117-1530 Solid | 3° | 13° + 4° - 0° |
| | 18" (457 mm) Micro Cut Extended* | 1/16" - 3/16" (1.6 mm - 4.8 mm) | 11 | 110-2300 | | 7° | 13° + 4° - 0° |
| | 18" (457 mm) Tournament Cut | 1/8" - 1/2" (3.2 mm - 12.7 mm) | 11 | 98-7260 | 117-1532 Solid | 3° | 13° + 4° - 0° |
| 1000 / 1010 / 2000 Integral Cutting Unit Flex 21 Flex 21 & eFlex 2100 / 2120 3000 / 3100 / 3200 / 3300 / 3400 | 21" (533 mm) Low Cut | 3/16" - 1" (4.8 mm - 25.4 mm) | 13 | 93-4264 | | 3° | 13° + 4° - 0° |
| | 21" (533 mm) Micro Cut | 1/16" - 3/16" (1.6 mm - 4.8 mm) | 13 | 93-4262 | 115-1880 Solid | 3° | 13° + 4° - 0° |
| | 21" (533 mm) Micro Cut Extended* | 1/16" - 3/16" (1.6 mm - 4.8 mm) | 13 | 108-4303 | | 7° | 13° + 4° - 0° |
| | 21" (533 mm) Tournament Cut | 1/8" - 1/2" (3.2 mm - 12.7 mm) | 13 | 93-4263 | 115-1881 Solid | 3° | 13° + 4° - 0° |
| | 21" (533 mm) Tournament Cut Extended* | 1/8" - 1/2" (3.2 mm - 12.7 mm) | 13 | 108-4302 | | 7° | 13° + 4° - 0° |
| | 21" (533 mm) High Cut | 5/16" - 1" (7.9 mm - 25.4 mm) | 13 | 94-6392 | | 3° | 13° + 4° - 0° |
| | 21" (533 mm) Fairway Cut | 3/8" - 1" (9.5 mm - 25.4 mm) | 7 | 63-8610 | 137-0879 Insert | 10° | 13° + 4° - 0° |
| 1600 / 1610 / 2600 Integral Cutting Unit | 26" (660 mm) Low Cut | 3/16" - 1" (4.8 mm - 25.4 mm) | 16 | 93-9015 | | 3° | 13° + 4° - 0° |
| | 26" (660 mm) Micro Cut | 1/16" - 3/16" (1.6 mm - 4.8 mm) | 16 | 112-9275 | | 3° | 13° + 4° - 0° |
| | 26" (660 mm) Tournament Cut | 1/8" - 1/2" (3.2 mm - 12.7 mm) | 16 | 94-5885 | 117-1548 Solid | 3° | 13° + 4° - 0° |
| | 26" (660 mm) High Cut | 5/16" - 1" (7.9 mm - 25.4 mm) | 16 | 104-2646 | | 3° | 13° + 4° - 0° |
| | 26" (660 mm) Fairway Cut | 3/8" - 1" (9.5 mm - 25.4 mm) | 16 | 107-8181 | | 3° | 13° + 4° - 0° |

* If you experience scalping with the aggressive bedbar, switch to the extended bedknives.

8/1/2018

QUICK REFERENCE GUIDE

LUBRICANTS

NEW



Toro PX Extended Life Hydraulic Fluid 133-8086 (5 Gal. Pail)

- EXTENDED LIFE HYDRAULIC FLUID FOR SOME 2019 AND NEWER TORO COMMERCIAL EQUIPMENT
- SEE YOUR EQUIPMENT OPERATORS GUIDE FOR INDIVIDUAL MACHINE MAINTENANCE INTERVALS



Toro Premium All-Season Hydraulic Fluid 108-1178 (5 Gal. Pail)

- DESIGNED TO MEET THE NEEDS OF TORO HYDRAULIC SYSTEMS
- SUSTAINED COMPONENT PROTECTION OVER WIDE TEMPERATURES AND ADDITIONAL ANTIWEAR PROTECTION
- EXTENDS FLUID LIFE UNDER HARSH OPERATING CONDITIONS



Toro Premium Synthetic Biodegradable Hydraulic Fluid 119-2157 (5 Gal. Pail)

- PROVIDES LONGER EQUIPMENT LIFE; WILL NOT REACT WITH STEEL OR COPPER ALLOYS
- WORKS WELL WITH SAME ELASTOMERS USED WITH CONVENTIONAL MINERAL OILS
- REDUCED DEPOSIT AND SLUDGE FORMATION



Toro Premium Transmission / Hydraulic Fluid 108-1184 (5 Gal. Pail)

- STRONG ANTIWEAR AND EXTREME PRESSURE PROPERTIES
- MULTIPURPOSE CAPABILITY FOR HYDRAULICS, GEARS & CLUTCHES
- PROTECTS EQUIPMENT IN WET OR HUMID ENVIRONMENTS AND PREVENTS PREMATURE WEAR



Toro All-Purpose Grease 108-1190 (14 oz.)

- REDUCES POTENTIAL FOR ENVIRONMENTAL DAMAGE
- EXCELLENT ANTIWEAR/EP PROPERTIES
- HIGH VISCOSITY INDEX AND LOW POUR POINT



Toro Synthetic Grease ISO 220 125-3511 (3 oz.)

- OUTSTANDING HIGH TEMPERATURE AND LOW TEMPERATURE PERFORMANCE
- EXCELLENT PROTECTION AGAINST WEAR, RUST AND CORROSION
- EXTENDED SERVICE LIFE WITH LONGER INTERVALS BETWEEN RELUBRICATION



Toro Fuel Treatment 131-6572 (12 oz.)

- KEEPS FUEL FRESH FOR UP TO 12+ MONTHS, PERFECT FOR SEASONAL EQUIPMENT
- KEEPS FUEL SYSTEMS CLEAN; CLEANS ENGINES FROM THE INSIDE
- PREVENTS CORROSION; COMPATIBLE WITH E10 FUEL



Toro Premium Engine Oil SAE 30
108-1197 (5 Gal. Pail)

- APPROVED BY TORO ENGINEERING FOR USE IN TORO EQUIPMENT
- MONOGRADE FLUID DESIGNED TO ENDURE HIGH TEMPERATURES IN AIR COOLED ENGINES
- FORMULATED WITH UNIQUE ADDITIVES DESIGNED TO KEEP ENGINES CLEAN



Toro Premium Engine Oil 10W-30
121-6393 (5 Gal. Pail)

- FORMULATED FOR GASOLINE AND DIESEL ENGINES
- MEETS OEM ENGINE MANUFACTURERS REQUIREMENTS FOR MODERATE CLIMATES
- BUILT-IN CORROSION PROTECTION



Toro Premium Engine Oil 15W-40
121-6395 (5 Gal. Pail)

- FORMULATED FOR GASOLINE AND DIESEL ENGINES
- GREATER ENGINE EFFICIENCY, LONG ENGINE LIFE AND LONG OIL LIFE
- MAINTAINS VISCOSITY IN SEVERE, HIGH TEMPERATURE SERVICE FOR GREATER WEAR PROTECTION



Toro Premium All-Season Gear Lube 80W-90
108-1590 (Quart)

- 108-1187 (5 Gal. Pail)
- WIDE MULTIPURPOSE CAPABILITY
 - REDUCED WEAR AND EASE OF START-UP AND COMPONENT LIFE
 - EXCELLENT THERMAL STABILITY AND RESISTANCE TO HIGH TEMPERATURE OXIDATION



Toro Premium All-Season Gear Lube 85W-140
108-1591 (Quart)

- PROTECTION AGAINST LOW SPEED/HIGH TORQUE WEAR
- EFFECTIVE LOW TEMPERATURE LUBRICATION
- EXTENDED GEAR AND BEARING LIFE DUE TO MINIMAL DEPOSIT



Toro Premium Full Synthetic Gear & Bearing Oil
104-8772 (Quart)

- EXTENDS EQUIPMENT HIGH TEMPERATURE OPERATING CAPABILITY TO REDUCE MAINTENANCE COSTS
- REDUCES FRICTION AND INCREASES WEAR EFFICIENCY
- APPROVED BY TORO ENGINEERING FOR TORO EQUIPMENT

Toro Hydraulic Oil Dye
44-2500 (20 ml)

Toro Aerosol Terminal Protection
107-0392

Toro Dry Lube Graphite
120-4817



MVP KITS



QUICK REFERENCE GUIDE

MVP KITS

Cutting Unit Overhaul Kits

| Part No. | Description | Qty. |
|-----------------|---|------|
| 130-0105 | GR Flex 18/21 (2004-2011) Reel Overhaul Kit | |
| 20-9500 | WASHER | 1 |
| 107-3233 | SEAL - OIL | 4 |
| 108-3162 | SPACER | 1 |
| 107-3238 | V-RING | 2 |
| 13-3659 | GR 300/3000 Style (1985-01) Cutting Unit Overhaul Kit | |
| 237-77 | O-RING | 2 |
| 253-61 | SEAL-OIL | 1 |
| 253-96 | SEAL-OIL | 2 |
| 254-72 | BEARING-CUP | 2 |
| 254-94 | BEARING-CONE | 2 |
| 52-2890 | BUSHING-NYLON | 4 |
| 52-2900 | WASHER-PLASTIC | 2 |
| 119-4151 | SCREW-SPECIAL | 13 |
| 57-5280 | BEARING - CUP & CONE | 2 |
| 62-5510 | BUSHING-RUBBER | 2 |
| 63-9510 | BUSHING | 2 |
| 107-1590 | GR 300/3000 Style (1985-01) Reel Overhaul Kit | |
| 253-61 | SEAL-OIL | 1 |
| 253-96 | SEAL-OIL | 2 |
| 254-72 | BEARING-CUP | 2 |
| 254-94 | BEARING-CONE | 2 |
| 3296-60 | NUT-LOCK | 1 |
| 107-1598 | GR 300/3000 Style (2002 & Up) Reel Overhaul Kit | |
| 104-3388 | SEAL-GREASE | 2 |
| 253-61 | SEAL-OIL | 1 |
| 254-72 | BEARING-CUP | 2 |
| 254-94 | BEARING-CONE | 2 |
| 3296-60 | NUT-LOCK | 1 |
| 121-2637 | DPA Adjusters MVP Kit GR Flex/eFlex 1800 & 2100/3000/3300/3400 | |
| 106-5363 | SHAFT-ADJUSTER | 2 |
| 106-5344 | BUSHING-FLANGED, KEYED | 4 |
| 119-4164 | WASHER-WAVE | 2 |
| 32120-93 | RING-RETAINING | 2 |
| 115-7039 | SCREW-ADJUSTER, BEDBAR | 2 |
| 119-4155 | WASHER-HARDENED | 2 |
| 119-4156 | SPRING-COMPRESSION | 2 |
| 119-4039 | NUT-HEX, NI | 2 |
| 99-2097 | DETENT | 2 |
| 119-4067 | SCREW-HH | 2 |
| 106-6392 | Greensmaster Dethatching Reel Blade Pack | |
| 106-6355 | BLADE-11 TOOTH (CARBIDE) | 108 |
| 13-3649 | RM 216 & Grounds Pro 2000 Cutting Unit Overhaul Kit | |
| 253-84 | SEAL-OIL | 1 |
| 257-6 | BEARING-THRUST | 2 |
| 52-2890 | BUSHING-NYLON | 2 |
| 56-9510 | BUSHING ASM | 2 |
| 56-9520 | BUSHING-FLANGED | 2 |
| 119-4151 | SCREW-SPECIAL | 10 |
| 62-5510 | BUSHING-RUBBER | 2 |
| 94-3405 | BEARING-BALL | 2 |

Cutting Unit Overhaul Kits - continued

| Part No. | Description | Qty. |
|-----------------|---|------|
| 107-1590 | RM 5100D/5200D/5300D/5400D (1990-01) Reel Overhaul Kit | |
| 253-61 | SEAL-OIL | 1 |
| 253-96 | SEAL-OIL | 2 |
| 254-72 | BEARING-CUP | 2 |
| 254-94 | BEARING-CONE | 2 |
| 3296-60 | NUT-LOCK | 1 |
| 106-9605 | RM 5500D/6500D/6700D SPA Bedbar Overhaul Kit | |
| 106-7536 | BEDBAR ADJUSTER ASSEMBLY | 1 |
| 107-7409 | PIN-PIVOT, BEDBAR | 1 |
| 29-8910 | WASHER | 2 |
| 302-18 | FITTING-GREASE | 1 |
| 3230-2 | BOLT-CARRIAGE | 4 |
| 3256-74 | WASHER-FLAT | 4 |
| 3296-29 | NUT-LOCK | 4 |
| 3296-62 | NUT-LOCK | 1 |
| 52-2890 | BUSHING-NYLINER | 2 |
| 62-5510 | BUSHING-RUBBER | 2 |
| 93-2959 | SPACER-ADJUSTER | 1 |
| 93-7501 | BUSHING ASSEMBLY | 2 |
| 93-7502 | BUSHING-FLANGED | 2 |
| 95-0772 | SPRING-COMPRESSION | 1 |
| 95-8752 | ARM-SPRING | 1 |
| 13-3679 | RM 335D/450D Cutting Unit Overhaul Kit | |
| 256-113 | BUSHING-FLANGE | 2 |
| 256-252 | BEARING-FLANGE | 2 |
| 256-292 | BUSHING-NYLINER | 4 |
| 32151-71 | RING-RETAINING | 1 |
| 3257-3 | KEY-WOODRUFF | 1 |
| 48-8880 | PIN-DOWEL | 2 |
| 119-4151 | SCREW-SPECIAL | 10 |
| 59-6140 | BEARING | 2 |
| 62-6110 | BUSHING ASM | 4 |
| 76-3580 | SPACER-BEDBAR | 2 |
| 93-1414 | SEAL-GREASE | 3 |
| 95-4389 | RM 4000-D Cutting Unit Overhaul Kit | |
| 256-252 | BEARING-FLANGE | 2 |
| 256-292 | BUSHING-NYLINER | 4 |
| 32151-71 | RING-RETAINING | 1 |
| 48-8880 | PIN-DOWEL | 2 |
| 119-4151 | SCREW-SPECIAL | 10 |
| 59-6140 | BEARING | 2 |
| 62-6110 | BUSHING ASM | 4 |
| 75-7570 | KEY | 1 |
| 76-3580 | SPACER-BEDBAR | 2 |
| 92-9250 | SEAL-GREASE | 1 |
| 92-9251 | SLEEVE-WEAR | 1 |
| 92-9252 | BUSHING-FLANGE | 2 |
| 93-1414 | SEAL-GREASE | 2 |

Cutting Unit Overhaul Kits - continued

| Part No. | Description | Qty. |
|-----------------|--|------|
| 13-3629 | RM Gangmower Cutting Unit Overhaul Kit | |
| 105-0150 | SEAL-GREASE | 2 |
| 106-5408 | GASKET-COVER | 2 |
| 106-5409 | GASKET-GEAR CASE | 2 |
| 237-21 | O-RING | 2 |
| 237-38 | O-RING | 2 |
| 253-117 | SEAL-OIL | 2 |
| 253-122 | SEAL-OIL | 2 |
| 253-84 | SEAL-OIL | 2 |
| 254-72 | BEARING-CUP | 2 |
| 254-78 | BEARING-CONE | 4 |
| 254-79 | BEARING-CUP | 4 |
| 254-94 | BEARING-CONE | 2 |
| 257-5 | WASHER-THRUST | 4 |
| 257-6 | BEARING-THRUST | 2 |
| 47-5640 | SPACER-RUBBER | 2 |
| 119-4151 | SCREW-SPECIAL | 11 |
| 68-7530 | BUSHING | 2 |
| 68-9970 | GUARD-SEAL | 2 |
| 84-8200 | SEAL-OIL | 2 |
| 120-7230 | HD DPA MVP Kit RM 3100D/3550/3555 5010-H/5210/5410/5510/5610/6000D7000D | |
| 120-5118 | BEARING-FLANGE | 2 |
| 120-5116 | BUSHING-NYLINER | 2 |
| 106-5344 | RING-RETAINING | 4 |
| 108-0015 | PIN-DOWEL | 2 |
| 3296-33 | SCREW-SPECIAL | 2 |
| 115-7039 | BEARING | 2 |
| 119-4155 | BUSHING ASM | 2 |
| 120-5120 | KEY | 2 |
| 119-4039 | SPACER-BEDBAR | 2 |

Rear Roller Brush Kits for Universal Groomer

| Part No. | Description | Qty. |
|-----------------|--|------|
| 133-0150 | 5" RM UNIVERSAL GROOMER KIT | |
| 133-0151 | 7" RM UNIVERSAL GROOMER KIT | |
| 133-0152 | RM3550 RRB KIT (FOR UNIVERSAL GROOMER) | |
| 133-0155 | RM3550 RRB KIT ONLY | |
| 133-0153 | RM3555/5010H 5" RRB KIT (FOR UNIVERSAL GROOMER) | |
| 133-0157 | RM3555/5010H 5" RRB KIT ONLY | |
| 133-0154 | RM3575/5010H 7" RRB KIT (FOR UNIVERSAL GROOMER) | |
| 133-0158 | RM3575/5010H 7" RRB KIT ONLY | |

Seal Kits

| Part No. | Description | Qty. |
|----------------------------|--|------|
| 117-2727 | Hydraulic Connector O-Rings Seal Kit | |
| 237-21 | 9/16" ORFS | 10 |
| 237-22 | 11/16" ORFS | 10 |
| 237-30 | 13/16" ORFS | 10 |
| 237-65 | 1" ORFS | 10 |
| 237-58 | 1-3/16" ORFS | 10 |
| 340-65 | 1-7/16" ORFS | 10 |
| 237-156 | 5/16" SAE | 10 |
| 237-78 | 7/16" SAE | 10 |
| 237-42 | 9/16" SAE | 10 |
| 237-79 | 3/4" SAE | 10 |
| 237-80 | 7/8" SAE | 10 |
| 237-81 | 1-1/16" SAE | 10 |
| 237-146 | 1-5/16" SAE | 10 |
| 93-4132 | 1/2" (HYD TRANS END CAP) | 10 |
| 237-54 | 3/4" (HYD RELIEF CARTRIDGE) | 10 |
| 237-38 | 1-3/4" (GR 500 CLUTCH & RM GANGMOWER GEAR CASE) | 10 |
| 93-9783 | 2-7/8" (HYD MOTOR MOUNTING) | 10 |
| 237-161 | 3-1/4" (TRANSMISSION MOUNTING) | 10 |
| 353-949 | 3-1/4" (HYD MOTOR MOUNTING) | 10 |
| 237-95 | 3-3/4" (HYD TRANS CHARGE PUMP) | 10 |
| 237-158 | 4" (HYD MOTOR MOUNTING) | 10 |
| 108-3263 | Multi Pro Open Boom Sprayer Seal Kit | |
| 108-3266 | SEAL KIT | 1 |
| 108-3267 | SEAL KIT | 1 |
| 108-3268 | SEAL KIT | 1 |
| 106-6937 | DPA Reel Seal Kit | |
| 106-6927 | SLEEVE | 2 |
| 106-6926 | SEAL | 2 |
| 253-134 | SEAL | 2 |
| 106-6929 | V-RING | 2 |
| 104-0532 | WASHER-PULLEY | 1 |
| 136-1010 | GM 3280 Seal Overhaul Rebuild Kit | |
| 136-1021 | LIP SEAL - SHAFT | 1 |
| 136-1023 | GASKET - END CAP | 1 |
| 136-1031 | O-RING | 1 |
| 136-1032 | O-RING | 1 |
| Not serviced separately | LIP SEAL- JOURNAL BEARING | 1 |
| Not serviced separately | O-RING, JOURNAL BEARING | 2 |
| Not serviced separately | O-RING, BYPASS VALVE | 1 |
| Not serviced separately | BACK UP RING | 1 |
| Not serviced separately | O-RING, BYPASS VALVE | 1 |
| Not serviced separately | O-RING, PLUG | 2 |
| Not serviced separately | O-RING, PLUG | 1 |

QUICK REFERENCE GUIDE

MVP KITS

Bearing Kits

| Part No. | Description | Qty. |
|-----------------|--|------|
| 121-9517 | GR Flex 18/21 (2012 & Up) GR 3300/3400 (2011 & Up) Groomer Rebuild Kit | |
| 107-8105 | BEARING-BALL, EXTENDED RACE | 3 |
| 106-8530 | SEAL-GREASE | 3 |
| 120-3237 | O-RING | 1 |
| 360-0398 | O-RING | 1 |
| 251-259 | BEARING-BALL | 2 |
| 104-4727 | RING-RETAINING | 1 |
| 104-4705 | BELT-GROOMER | 1 |
| 110-4086 | RM 5210/5410/5510/5610 RM 6500D/6700D DPA Groomer & Rear Roller Brush Bearing Kit | |
| 95-0707 | BEARING-SELF ALIGNING | 1 |
| 106-8530 | SEAL-GREASE | 3 |
| 108-4172 | SEAL-EXCLUDER | 1 |
| 108-2132 | ProCore 648 Coring Head Bearing Kit (2004-2007) | |
| 106-8871 | BEARING-BALL | 6 |
| 105-0965 | BEARING-BALL | 6 |
| 251-311 | BEARING-BALL | 24 |
| 106-8872 | RING-RETAINING | 6 |
| 131-4876 | ProCore 648 Coring Head Bearing Kit (2008 & after) | |
| 110-4556 | BEARING - BALL | 12 |
| 105-0965 | BEARING - BALL | 6 |
| 251-311 | BEARING - BALL | 24 |
| 32151-76 | RING - RETAINING | 6 |
| 110-4557 | SPACER - BEARING | 6 |

Cutting Unit Hydraulic Hose Kits

| Part No. | Description | Qty. |
|-----------------|--|------|
| 117-0289 | GM 4300-D Hydraulic Hose Kit | |
| 117-0213 | HYDRAULIC HOSE ASSEMBLY | 1 |
| 117-0211 | HYDRAULIC HOSE ASSEMBLY | 1 |
| 117-0212 | HYDRAULIC HOSE ASSEMBLY | 1 |
| 117-0299 | HYDRAULIC HOSE ASSEMBLY | 4 |
| 104-9323 | HOSE - HYDRAULIC | 1 |
| 92-7638 | HOSE ASSEMBLY | 1 |
| 105-1215 | HOSE - HYDRAULIC | 4 |
| 108-6507 | HOSE - HYDRAULIC | 2 |
| 3334-945 | TIE - CABLE | 15 |
| 237-21 | O-RING | 10 |
| 237-65 | O-RING | 28 |
| 106-3662 | HOSE - HYDRAULIC | 4 |
| 98-0642 | GR 3000/3050/3100 Cutting Unit Hydraulic Hose Kit | |
| 95-5984 | HYDRAULIC HOSE ASSEMBLY | 1 |
| 95-5985 | HYDRAULIC HOSE ASSEMBLY | 1 |
| 95-5986 | HYDRAULIC HOSE ASSEMBLY | 1 |
| 95-5987 | HYDRAULIC HOSE ASSEMBLY | 1 |
| 95-5988 | HYDRAULIC HOSE ASSEMBLY | 1 |
| 95-5989 | HYDRAULIC HOSE ASSEMBLY | 1 |

Cutting Unit Hydraulic Hose Kits - continued

| Part No. | Description | Qty. |
|-----------------|---|------|
| 117-2725 | GR 3150 Cutting Unit Hydraulic Hose Kit (2006 & UP) | |
| 105-5400 | HYDRAULIC HOSE ASSEMBLY | 1 |
| 105-5401 | HYDRAULIC HOSE ASSEMBLY | 1 |
| 105-5402 | HYDRAULIC HOSE ASSEMBLY | 1 |
| 95-2908 | HYDRAULIC HOSE ASSEMBLY | 2 |
| 105-5404 | HYDRAULIC HOSE ASSEMBLY | 1 |
| 106-9674 | HYDRAULIC HOSE ASSEMBLY | 1 |
| 105-5405 | HYDRAULIC HOSE ASSEMBLY | 1 |
| 95-2909 | HYDRAULIC HOSE ASSEMBLY | 1 |
| 237-30 | O-RING | 6 |
| 237-65 | O-RING | 6 |
| 117-2721 | GR 3250D Cutting Unit Hydraulic Hose Kit (2006 & UP) | |
| 106-9674 | HYDRAULIC HOSE ASSEMBLY | 2 |
| 95-2908 | HYDRAULIC HOSE ASSEMBLY | 2 |
| 95-2909 | HYDRAULIC HOSE ASSEMBLY | 2 |
| 95-2907 | HYDRAULIC HOSE ASSEMBLY | 2 |
| 105-5405 | HYDRAULIC HOSE ASSEMBLY | 1 |
| 237-30 | O-RING | 12 |
| 237-21 | O-RING | 6 |
| 136-8519 | GR TriFlex 3300/3400 Cutting Unit Hydraulic Hose Kit | |
| 119-8145 | HYDRAULIC HOSE ASSEMBLY | 1 |
| 119-8146 | HYDRAULIC HOSE ASSEMBLY | 1 |
| 119-8147 | HYDRAULIC HOSE ASSEMBLY | 1 |
| 119-8158 | HYDRAULIC HOSE ASSEMBLY | 1 |
| 136-8452 | HYDRAULIC HOSE ASSEMBLY | 1 |
| 119-8160 | HYDRAULIC HOSE ASSEMBLY | 1 |
| 119-8161 | HYDRAULIC HOSE ASSEMBLY | 1 |
| 119-8162 | HYDRAULIC HOSE ASSEMBLY | 1 |
| 117-2724 | RM 3100D SPA Cutting Unit 1999-2009 Hydraulic Hose Kit | |
| 95-8836 | HYDRAULIC HOSE ASSEMBLY | 2 |
| 95-8835 | HYDRAULIC HOSE ASSEMBLY | 2 |
| 95-8837 | HYDRAULIC HOSE ASSEMBLY | 2 |
| 95-8826 | HYDRAULIC HOSE ASSEMBLY | 1 |
| 95-8827 | HYDRAULIC HOSE ASSEMBLY | 1 |
| 95-8828 | HYDRAULIC HOSE ASSEMBLY | 1 |
| 237-30 | O-RING | 8 |
| 237-65 | O-RING | 4 |
| 237-42 | O-RING | 2 |
| 237-21 | O-RING | 2 |
| 237-22 | O-RING | 2 |
| 117-2723 | RM 4000D Cutting Unit Hydraulic Hose Kit | |
| 98-7401 | HYDRAULIC HOSE ASSEMBLY | 1 |
| 60-3340 | HYDRAULIC HOSE ASSEMBLY | 1 |
| 98-7400 | HYDRAULIC HOSE ASSEMBLY | 1 |
| 98-7403 | HYDRAULIC HOSE ASSEMBLY | 4 |
| 58-5730 | HYDRAULIC HOSE ASSEMBLY | 1 |
| 98-7404 | HYDRAULIC HOSE ASSEMBLY | 2 |
| 237-22 | O-RING | 10 |
| 237-65 | O-RING | 18 |

Cutting Unit Hydraulic Hose Kits - continued

| Part No. | Description | Qty. |
|-----------------|---|------|
| 104-9317 | RM 5200D/5400D Cutting Unit Hydraulic Hose Kit | |
| 100-3876 | HYDRAULIC HOSE ASSEMBLY | 1 |
| 100-3877 | HYDRAULIC HOSE ASSEMBLY | 1 |
| 100-3878 | HYDRAULIC HOSE ASSEMBLY | 1 |
| 100-3879 | HYDRAULIC HOSE ASSEMBLY | 1 |
| 104-0057 | HYDRAULIC HOSE ASSEMBLY | 1 |
| 104-0069 | HYDRAULIC HOSE ASSEMBLY | 1 |
| 104-9321 | HYDRAULIC HOSE ASSEMBLY | 1 |
| 104-9322 | HYDRAULIC HOSE ASSEMBLY | 1 |
| 104-9323 | HYDRAULIC HOSE ASSEMBLY | 1 |
| 98-4583 | HYDRAULIC HOSE ASSEMBLY | 2 |
| 98-4584 | HYDRAULIC HOSE ASSEMBLY | 1 |
| 98-4587 | HYDRAULIC HOSE ASSEMBLY | 1 |
| 3290-379 | TIE-CABLE | 10 |
| 99-5617 | SLEEVE-PROTECTIVE | 1 |
| 99-5648 | SLEEVE-PROTECTIVE | 4 |
| 237-30 | SEAL - O-RING | 20 |
| 237-21 | SEAL - O-RING | 10 |
| 117-2720 | RM 5210/5410/5510/5610 Cutting Unit Hydraulic Hose Kit (2008-2009) | |
| 106-3672 | HYDRAULIC HOSE ASSEMBLY | 4 |
| 98-4590 | HYDRAULIC HOSE ASSEMBLY | 2 |
| 114-8868 | HYDRAULIC HOSE ASSEMBLY | 4 |
| 106-3680 | HYDRAULIC HOSE ASSEMBLY | 2 |
| 104-3669 | HYDRAULIC HOSE ASSEMBLY | 1 |
| 106-3670 | HYDRAULIC HOSE ASSEMBLY | 1 |
| 106-3671 | HYDRAULIC HOSE ASSEMBLY | 1 |
| 3334-945 | TIE-CABLE | 15 |
| 237-30 | O-RING (ORFS - 8) | 20 |
| 237-21 | O-RING (ORFS - 4) | 10 |
| 119-6955 | RM 5210/5410/5510/5610 (2010+) Cutting Unit Hydraulic Hose Kit | |
| 114-0633 | HYDRAULIC HOSE ASSEMBLY | 5 |
| 98-4590 | HYDRAULIC HOSE ASSEMBLY | 2 |
| 117-5188 | HYDRAULIC HOSE ASSEMBLY | 4 |
| 106-3680 | HYDRAULIC HOSE ASSEMBLY | 2 |
| 117-5190 | HYDRAULIC HOSE ASSEMBLY | 1 |
| 106-3670 | HYDRAULIC HOSE ASSEMBLY | 1 |
| 3334-945 | TIE-CABLE | 15 |
| 237-30 | O-RING (ORFS - 8) | 10 |
| 237-21 | O-RING (ORFS - 4) | 10 |
| 237-65 | O-RING (ORFS - 10) | 10 |
| 104-9314 | RM 5500D Reel Drive Hose Kit | |
| 104-0069 | HYDRAULIC HOSE ASSEMBLY | 4 |
| 104-0057 | HYDRAULIC HOSE ASSEMBLY | 4 |
| 104-0068 | HYDRAULIC HOSE ASSEMBLY | 1 |
| 104-0067 | HYDRAULIC HOSE ASSEMBLY | 1 |
| 104-0064 | HYDRAULIC HOSE ASSEMBLY | 1 |
| 104-0058 | HYDRAULIC HOSE ASSEMBLY | 2 |
| 104-0063 | HYDRAULIC HOSE ASSEMBLY | 2 |
| 3290-379 | TIE-CABLE | 10 |
| 237-30 | O-RING (ORFS - 8) | 20 |
| 237-21 | O-RING (ORFS - 4) | 5 |
| 237-22 | O-RING (ORFS - 6) | 2 |

Cutting Unit Hydraulic Hose Kits - continued

| Part No. | Description | Qty. |
|-----------------|---|------|
| 105-0139 | RM 6500D/6700D (5 Units) Cutting Unit Hydraulic Hose Kit | |
| 105-7901 | HYDRAULIC HOSE ASSEMBLY | 4 |
| 105-7902 | HYDRAULIC HOSE ASSEMBLY | 2 |
| 105-7903 | HYDRAULIC HOSE ASSEMBLY | 4 |
| 92-7559 | HYDRAULIC HOSE ASSEMBLY | 2 |
| 92-7560 | HYDRAULIC HOSE ASSEMBLY | 1 |
| 99-5614 | HYDRAULIC HOSE ASSEMBLY | 2 |
| 237-21 | O-RING | 10 |
| 237-30 | O-RING | 20 |
| 3253-4 | WASHER-LOCK | 6 |
| 3290-379 | TIE-CABLE | 10 |
| 33114-020 | SCREW-HH | 6 |
| 99-5617 | SLEEVE-PROTECTIVE | 5 |
| 99-5621 | GUIDE-HOSE | 3 |
| 105-0140 | RM 6700D (2 Wing Units) Cutting Unit Hydraulic Hose Kit | |
| 105-7900 | HYDRAULIC HOSE ASSEMBLY | 4 |
| 94-1433 | HYDRAULIC HOSE ASSEMBLY | 2 |
| 237-21 | O-RING | 4 |
| 237-30 | O-RING | 8 |
| 3253-4 | WASHER-LOCK | 4 |
| 3290-378 | TIE-CABLE | 4 |
| 33114-020 | SCREW-HH | 4 |
| 3334-945 | TIE-CABLE | 2 |
| 100-3814 | SLEEVE-PROTECTIVE | 2 |
| 99-5621 | GUIDE-HOSE | 2 |

Roller Rebuild Kits

| Part No. | Description | Qty. |
|-----------------|---|------|
| 107-1588 | GR 800/1000/1600 Roller Rebuild Kit | |
| 302-5 | FITTING-GREASE | 2 |
| 52-3180 | BEARING-ROLLER | 2 |
| 107-1589 | GR 3/300/ Style Wiehle Roller Rebuild Kit | |
| 302-57 | FITTING-GREASE | 2 |
| 52-3180 | BEARING-ROLLER | 2 |
| 107-1588 | GR 3/300/3000 Style Roller Rebuild Kit | |
| 302-5 | FITTING-GREASE | 2 |
| 52-3180 | BEARING-ROLLER | 2 |
| 107-1591 | GR 3200 Style (1995-98) Roller Rebuild Kit | |
| 302-5 | FITTING-GREASE | 2 |
| 93-2525 | RING-RETAINING | 2 |
| 93-2559 | BEARING-BALL | 2 |
| 107-1593 | GR 3200 Style (1999-00) Roller Rebuild Kit | |
| 302-5 | FITTING-GREASE | 2 |
| 32151-12 | RING-RETAINING | 2 |
| 85-7190 | WASHER-SHIELD | 2 |
| 85-9970 | BEARING-BALL | 2 |

QUICK REFERENCE GUIDE

MVP KITS

Roller Rebuild Kits - continued

| Part No. | Description | Qty. |
|-----------------|---|------|
| 107-1594 | GR DPA (2004 & Up) Roller Rebuild Kit | |
| 106-6941 | SEAL | 2 |
| 106-6942 | V-RING | 2 |
| 251-347 | BEARING-BALL | 2 |
| 107-8133 | WASHER-FLAT | 2 |
| 107-3505 | SPACER-TOOL, ROLLER | 2 |
| 104-6126 | WASHER-FLAT | 2 |
| 106-9627 | GR DPA Rear Roller Brush Rebuild Kit | |
| 106-9626** | SHAFT | 1 |
| 105-6792 | BRUSH-ROLLER | 1 |
| 104-1830 | BOLT-J | 2 |
| 3296-2 | NUT-LOCK | 2 |
| 106-9607 | Grounds Pro 2000 RM 216/2000/2300/2600/3100 Roller Rebuild Kit | |
| 105-0150 | SEAL-GREASE | 2 |
| 253-152 | SEAL-OIL | 2 |
| 254-78 | BEARING-CONE | 2 |
| 254-79 | BEARING-CUP | 2 |
| 107-1592 | RM 223D/5100D/5200D/5300D/ 5400D (1990-2000) Front Roller Rebuild Kit | |
| 302-57 | FITTING-GREASE | 2 |
| 75-1290 | BEARING-ROLLER | 2 |
| 107-1593 | RM 5100D/5200D/5300D/5400D (1993-2000) Rear Roller Rebuild Kit | |
| 302-5 | FITTING-GREASE | 2 |
| 32151-12 | RING-RETAINING | 2 |
| 85-7190 | WASHER-SHIELD | 2 |
| 85-9970 | BEARING-BALL | 2 |
| 107-1592 | RM 223D/5100D/5200D/5300D/ 5400D Dethatching Reel Roller Rebuild Kit | |
| 302-57 | FITTING-GREASE | 2 |
| 75-1290 | BEARING-ROLLER | 2 |
| 106-9606 | RM 5200D/5400D (01 & Up) RM 5210/5410/5510/5610 (06-07) Roller Rebuild Kit | |
| 109966 | BEARING-BALL | 2 |
| 253-70 | SEAL-OIL | 2 |
| 32120-62 | RING-RETAINING | 2 |
| 93-1251 | SEAL-INNER | 2 |
| 93-1252 | SEAL-OUTER | 2 |
| 93-2931 | WASHER-ROLLER | 2 |
| 93-3007 | SEAL-OIL | 2 |
| 114-5430 | RM 5010-H/5210/5410/5510/5610/6500D67 00D (2008 & Up) Roller Rebuild Kit | |
| 114-3717 | SEAL-INNER | 2 |
| 112-5290 | BEARING-BALL | 2 |
| 112-7494 | SEAL-OUTER | 4 |
| 114-5411 | NUT - BEARING LOCK | 2 |
| 106-9606 | RM 5500D/6500D/6700D SPA RM 6500D/6700D DPA (2007) Roller Rebuild Kit | |
| 109966 | BEARING-BALL | 2 |
| 253-70 | SEAL-OIL | 2 |
| 32120-62 | RING-RETAINING | 2 |
| 93-1251 | SEAL-INNER | 2 |
| 93-1252 | SEAL-OUTER | 2 |
| 93-2931 | WASHER-ROLLER | 2 |
| 93-3007 | SEAL-OIL | 2 |

Roller Rebuild Kits - continued

| Part No. | Description | Qty. |
|-----------------|--|------|
| 106-9627 | RM 5200D/5400D RM 5500D/6500D/6700D SPA Rear Roller Brush Rebuild Kit | |
| 106-9626 | SHAFT | 1 |
| 105-6792 | BRUSH-ROLLER | 1 |
| 104-1830 | BOLT-J | 2 |
| 3296-2 | NUT-LOCK | 2 |
| 107-1595 | GM 3500D/4500D/4700D (2000-03) Roller Rebuild Kit | |
| 251-347 | BEARING-BALL | 2 |
| 32120-15 | RING-SNAP | 2 |
| 99-3842 | SEAL-OIL | 2 |
| 106-9606 | GM 3500D/3505D/4500D/4700D (2003-07) Roller Rebuild Kit | |
| 109966 | BEARING-BALL | 2 |
| 253-70 | SEAL-OIL | 2 |
| 32120-62 | RING-RETAINING | 2 |
| 93-1251 | SEAL-INNER | 2 |
| 93-1252 | SEAL-OUTER | 2 |
| 93-2931 | WASHER-ROLLER | 2 |
| 93-3007 | SEAL-OIL | 2 |
| 114-5430 | GM 3500D/3505D/4500D/4700D (2007 & Up) Roller Rebuild Kit | |
| 114-3717 | SEAL-INNER | 2 |
| 112-5290 | BEARING-BALL | 2 |
| 112-7494 | SEAL-OUTER | 4 |
| 112-5411 | NUT - BEARING LOCK | 2 |

Groundsmaster® Deck Kits

| Part No. | Description | Qty. |
|----------------|--|------|
| 95-3078 | GM 200 Series 52"/132 cm RD/SD Spindle Kit | |
| 27-0870 | SPINDLE ASSEMBLY | 1 |
| 32128-21 | NUT-HEX FLANGE | 6 |
| 3231-22 | SCREW-CARRIAGE | 6 |
| 3256-24 | WASHER-FLAT | 6 |
| 72-9361 | CUP-ANTI SCALP | 1 |
| 92-5816 | BOLT-BLADE | 1 |
| 95-3079 | GM 200 Series 62"/158 cm SD Spindle Kit | |
| 44-6370 | SPINDLE ASSEMBLY | 1 |
| 32128-21 | NUT-HEX FLANGE | 6 |
| 3231-22 | SCREW-CARRIAGE | 6 |
| 3256-24 | WASHER-FLAT | 6 |
| 72-9361 | CUP-ANTI SCALP | 1 |
| 92-5816 | BOLT-BLADE | 1 |
| 95-3081 | GM 200 Series 62"/158 cm Guardian Spindle Kit | |
| 253-139 | SEAL-OIL | 2 |
| 27-0960 | BEARING SET | 1 |
| 302-2 | FITTING-GREASE | 1 |
| 32128-21 | NUT-HEX FLANGE | 6 |
| 3231-27 | SCREW-CARRIAGE | 6 |
| 3256-24 | WASHER-FLAT | 6 |
| 32146-20 | NUT-LOCK | 1 |
| 61-4160 | HOUSING-SPINDLE | 1 |
| 27-5970 | SPACER-SPINDLE SHAFT | 1 |
| 72-9361 | CUP-ANTI SCALP | 1 |
| 92-5604 | SHAFT-SPINDLE | 1 |
| 92-5606 | SPACER-SPINDLE SHAFT | 1 |
| 92-5607 | PULLEY & HUB ASSEMBLY | 1 |
| 92-5816 | BOLT-BLADE | 1 |

Groundsmaster® Deck Kits - continued

| Part No. | Description | Qty. |
|-----------------|---|------|
| 95-3089 | GM 300 Series 72"/183 cm RD/SD Left Spindle Kit | |
| 84-2030 | SPINDLE ASSEMBLY | 1 |
| 32128-21 | NUT-HEX FLANGE | 8 |
| 3234-1 | SCREW-HEX FLANGE | 6 |
| 3234-11 | SCREW-HEX FLANGE | 2 |
| 3256-24 | WASHER-FLAT | 8 |
| 95-3090 | GM 300 Series 72"/183 cm RD/SD Center Spindle Kit | |
| 84-2040 | SPINDLE ASSEMBLY | 1 |
| 32128-21 | NUT-HEX FLANGE | 8 |
| 3234-1 | SCREW-HEX FLANGE | 8 |
| 3256-24 | WASHER-FLAT | 8 |
| 95-3095 | GM 300 Series 72"/183 cm RD/SD Right Spindle Kit | |
| 84-2050 | SPINDLE ASSEMBLY | 1 |
| 32128-21 | NUT-HEX FLANGE | 8 |
| 3234-1 | SCREW-HEX FLANGE | 6 |
| 3234-11 | SCREW-HEX FLANGE | 2 |
| 3256-24 | WASHER-FLAT | 8 |
| 95-3091 | GM 300 Series 72"/183 cm Guardian Spindle Kit | |
| 17-5979** | SPINDLE ASSEMBLY | 1 |
| 32128-21 | NUT-HEX FLANGE | 6 |
| 3231-27 | SCREW-CARRIAGE | 6 |
| 3256-24 | WASHER-FLAT | 6 |
| 72-9361 | CUP-ANTI SCALP | 1 |
| 119-4778 | GM 3280D/3320 Side Discharge Spindle Kit | |
| 104-3546 | PULLEY-DRIVEN | 1 |
| 108-1991 | SPINDLE HOUSING ASSEMBLY | 1 |
| 108-1956 | SPINDLE SHAFT ASSEMBLY | 1 |
| 104-3564 | SEAL - V-RING | 1 |
| 104-8322 | WASHER-HARDENED | 1 |
| 106-7159 | O-RING | 1 |
| 3296-60 | NUT-LOCK | 1 |
| 69-6950 | SPACER-SPINDLE SHAFT | 1 |
| 119-4776 | GM 3280D/3320/4000D/4100D GM 360/3400/4010/7200/7210 RD/Guardian Spindle Kit | |
| 104-3546 | PULLEY-DRIVEN | 1 |
| 119-4546 | SPINDLE HOUSING ASSEMBLY | 1 |
| 104-3554 | SPINDLE SHAFT ASSEMBLY | 1 |
| 104-3564 | SEAL - V-RING | 1 |
| 104-8322 | WASHER-HARDENED | 1 |
| 106-7159 | O-RING | 1 |
| 3296-60 | NUT-LOCK | 1 |
| 69-6950 | SPACER-SPINDLE SHAFT | 1 |
| 115-3435 | GM3500D/3500G/3505D/4500D/4700D Spindle Kit | |
| 100-5703 | SPACER AND BEARING ASSEMBLY | 1 |
| 100-5705 | SPINDLE SHAFT ASSEMBLY | 1 |
| 253-154 | SEAL-OIL | 2 |
| 69-6950 | SPACER-SPINDLE SHAFT | 1 |
| 100-5709 | NUT-SPINDLE, SPECIAL | 1 |
| 302-62 | FITTING-GREASE | 2 |
| 94-2703 | PLUG | 1 |
| 505-7 | GREASE 2oz | |

Groundsmaster Deck Kits - continued

| Part No. | Description | Qty. |
|-----------------|--|------|
| 69-8400 | GM 580D, All Decks (1989-2001), Wing Deck (2002 & UP) Spindle Kit | |
| 69-8390-03 | PULLEY ASSEMBLY | 1 |
| 110-3285 | SPINDLE SHAFT ASSEMBLY | 1 |
| 253-154 | SEAL-OIL | 2 |
| 3296-49 | NUT-LOCK | 1 |
| 108-1483 | WASHER-THRUST | 1 |
| 6590003 | O-RING | 1 |
| 69-1530 | HOUSING-SPINDLE | 1 |
| 69-6950 | SPACER-SPINDLE SHAFT | 1 |
| 71-2530 | BEARING & SPACER SET | 1 |
| 302-2 | FITTING-GREASE | 1 |
| 106-0005 | GM 580D Center Deck (02 & Up) Center Spindle Kit | |
| 106-0023 | PULLEY-CENTER | 1 |
| 110-3285 | SPINDLE SHAFT ASSEMBLY | 1 |
| 253-154 | SEAL-OIL | 2 |
| 3296-49 | NUT-LOCK | 1 |
| 108-1483 | WASHER-THRUST | 1 |
| 6590003 | O-RING | 1 |
| 69-1530 | HOUSING-SPINDLE | 1 |
| 69-6950 | SPACER-SPINDLE SHAFT | 1 |
| 71-2530 | BEARING & SPACER SET | 1 |
| 302-2 | FITTING-GREASE | 1 |
| 106-0006 | GM 580D Center Deck (02 & Up) Outer Spindle Kit | |
| 106-0022 | PULLEY-OUTBOARD | 1 |
| 110-3285 | SPINDLE SHAFT ASSEMBLY | 1 |
| 253-154 | SEAL-OIL | 2 |
| 3296-49 | NUT-LOCK | 1 |
| 108-1483 | WASHER-THRUST | 1 |
| 6590003 | O-RING | 1 |
| 69-1530 | HOUSING-SPINDLE | 1 |
| 69-6950 | SPACER-SPINDLE SHAFT | 1 |
| 71-2530 | BEARING & SPACER SET | 1 |
| 302-2 | FITTING-GREASE | 1 |
| 105-7269 | GM 7200/7210 62"/158 cm Guardian 72"/183 cm Guardian Tall Grass Kit | |
| 112-1480-01 | PLATE - RIGHT | 1 |
| 112-1482-01 | PLATE - LEFT | 1 |
| 104-8300 | NUT-FLANGE | 4 |
| 3230-2 | BOLT-CARRIAGE | 4 |

*Not illustrated. **Not sold separately. See pages 20-33 for kit contents. Prices subject to change without notice. Please see your Parts Catalog or Master Parts Viewer to ensure the correct part is ordered, as the part you need may not be listed above. toro.com/parts

QUICK REFERENCE GUIDE

MVP KITS

Groundsmaster® Blade & Belt Kits

| Part No. | Description | Qty. |
|-----------------|--|------|
| 95-3070 | GM 200 Series 52"/132 cm RD/SD Deck Blade & Belt Kit | |
| 27-0990-03 | BLADE - STANDARD 18" | 3 |
| 27-1160 | V-BELT | 1 |
| 95-3071 | GM 200 Series 62"/158 cm SD Deck Blade & Belt Kit | |
| 44-6250-03 | BLADE - STANDARD 21.75" | 3 |
| 44-6260 | V-BELT | 1 |
| 95-3072 | GM 200 Series 72"/183 cm SD Deck Blade & Belt Kit | |
| 94-1861-03 | BLADE - STANDARD 24.75" | 3 |
| 57-0240 | V-BELT | 1 |
| 95-3087 | GM 300 Series 72"/183 cm RD/SD Deck Blade & Belt Kit | |
| 29-5530-03 | BLADE - STANDARD 25" | 3 |
| 21-0890 | V-BELT | 3 |
| 95-3094 | GM 300 Series 72"/183 cm RD/SD Deck Blade & Belt Kit | |
| 23-2410-03 | BLADE - HIGH SAIL 25" | 3 |
| 21-0890 | V-BELT | 3 |
| 95-3088 | GM 300 Series 72"/183 cm Guardian Blade & Belt Kit | |
| 85-6040-03 | BLADE - STANDARD 25" | 3 |
| 93-8457 | V BELT-HEX | 1 |
| 110-4770 | GM 3280D/3320 60"/152 cm SD Blade & Belt Kit | |
| 110-4701 | BLADE - MEDIUM SAIL 20.5" | 3 |
| 108-4391 | BELT - HEX | 1 |
| 110-4768 | GM 3280D/3320 62"/158 cm RD/Guardian Blade & Belt Kit | |
| 92-5608-03 | BLADE - STANDARD 25" | 3 |
| 107-4788 | BELT-HEX | 1 |
| 110-4771 | GM 3280D/3320 72"/18 cm SD Blade & Belt Kit | |
| 110-0621 | BLADE - MEDIUM SAIL 24.5" | 3 |
| 108-4393 | BELT - HEX | 1 |
| 110-4769 | GM 3280D/3320 72"/18 cm RD/Guardian Blade & Belt Kit | |
| 108-1958-03 | BLADE - STANDARD 25" | 3 |
| 107-4738 | BELT-HEX | 1 |
| 132-1440 | GM 5900/5910 Blade & Belt Kit | |
| 112-7376 | BELT-V | 1 |
| 112-7377 | BELT-V | 6 |
| 130-9151-03 | BLADE - 20" | 11 |
| 115-8898 | GM 5900/5910 Center & Wing Decks Blade & Belt Kit | |
| 110-5946-03 | BLADE - STANDARD 20" | 11 |
| 112-7376 | BELT-V | 1 |
| 112-7377 | BELT-V | 6 |
| 105-7270 | GM 7200/7210 62"/157.5 cm Guardian Blade & Belt Kit | |
| 92-5608-03 | BLADE - STANDARD 25" | 3 |
| 110-9594 | BELT-V | 1 |
| 110-9595 | BELT-V | 1 |

Groundsmaster Blade & Belt Kits - continued

| Part No. | Description | Qty. |
|-----------------|--|------|
| 105-7271 | GM 7200/7210 72"/182.9 cm Guardian Blade & Belt Kit | |
| 108-1958-03 | BLADE - STANDARd 25" | 3 |
| 110-9592 | BELT - V | 1 |
| 110-9593 | BELT - V | 1 |
| 105-7272 | GM 7200/7210 72"/182.9 cm SD Deck Blade & Belt Kit | |
| 110-0621-03 | BLADE - MEDIUM SAIL 24.5" | 3 |
| 110-9590 | BELT-V | 1 |
| 110-9591 | BELT-V | 1 |

Groundsmaster® Caster Wheel Kits

| Part No. | Description | Qty. |
|----------------|--|------|
| 95-3077 | GM 200 Series 52"/132 cm RD/SD (1989 & Up) 62"/158 cm SD (1989-98) 72"/183 cm SD (1989-97) Caster Wheel Kit | |
| 68-8970 | TIRE & BEARING ASSEMBLY | 2 |
| 68-8980 | SPANNER-TIRE | 2 |
| 32153-5 | NUT-LOCK | 2 |
| 325-19 | SCREW-HH | 2 |
| 3256-6 | WASHER-FLAT | 4 |
| 68-8970 | GM 200 Series 52"/132 cm RD/SD (1989 & Up) 62"/158 cm SD (1989-98) 72"/183 cm SD (1989-97) Caster Wheel | |
| 68-9840 | WHEEL & HUB ASSEMBLY | 1 |
| 62-5580 | BEARING - OUTSIDE | 2 |
| 62-5570 | BEARING ROLLER CAGE | 1 |
| 95-3076 | GM 200 Series 62"/158 cm Guardian Recycler Caster Wheel Kit | |
| 85-5760 | 8" CASTER WHEEL ASSEMBLY | 4 |
| 62-4340 | SPANNER | 4 |
| 32128-23 | NUT-HEX FLANGE | 4 |
| 325-22 | SCREW-HH | 4 |
| 3256-6 | WASHER-FLAT | 8 |
| 85-5760 | GM 200 Series 62"/158 cm Guardian Recycler Caster Wheel | |
| 85-5760 | WHEEL & HUB ASSEMBLY | 1 |
| 83-4740 | BEARING ROLLER CAGE | 1 |
| 62-5580 | BEARING - OUTSIDE | 2 |
| 302-40 | FITTING - GREASE | 1 |
| 95-3086 | GM 300 Series 72"/183 cm RD/SD (1988 & Up) Caster Wheel Kit | |
| 92-1655 | CASTER WHEEL ASSEMBLY - FRONT | 2 |
| 63-8400 | CASTER WHEEL ASSEMBLY - REAR | 2 |
| 62-4340 | SPANNER - FRONT | 2 |
| 63-1770 | SPANNER - REAR | 2 |
| 32128-23 | NUT-HEX FLANGE | 4 |
| 325-18 | SCREW-HH | 2 |
| 325-22 | SCREW-HH | 2 |
| 3256-6 | WASHER-FLAT | 8 |

Groundsmaster® Caster Wheel Kits - continued

| Part No. | Description | Qty. |
|-----------------|--|------|
| 95-3082 | GM 300 Series 72"/183 cm RD/SD (1983 & Up) Front Caster Wheel | |
| 92-1655 | WHEEL ASSEMBLY - FRONT | 1 |
| 62-4340 | SPANNER - FRONT | 1 |
| 32128-23 | NUT-HEX FLANGE | 1 |
| 325-22 | SCREW-HH | 1 |
| 3256-6 | WASHER-FLAT | 2 |
| 95-3084 | GM 300 Series 72"/183 cm RD/SD (1988 & Up) Rear Caster Wheel | |
| 63-8400 | CASTER WHEEL ASSEMBLY - REAR | 1 |
| 63-1770 | SPANNER - REAR | 1 |
| 32128-23 | NUT-HEX FLANGE | 1 |
| 325-18 | SCREW-HH | 1 |
| 3256-6 | WASHER-FLAT | 2 |
| 95-3085 | GM 300 Series 72"/183 cm Guardian Recycler Caster Wheel Kit | |
| 92-1655 | CASTER WHEEL ASSEMBLY - FRONT | 2 |
| 85-5760 | CASTER WHEEL ASSEMBLY - REAR | 2 |
| 32128-23 | NUT-HEX FLANGE | 4 |
| 325-22 | SCREW-HH | 4 |
| 3256-6 | WASHER-FLAT | 8 |
| 62-4340 | SPANNER | 4 |
| 95-3083 | GM 300 Series 72"/183 cm Guardian Recycler Rear Caster Wheel | |
| 85-5760 | CASTER WHEEL ASSEMBLY - REAR | 1 |
| 62-4340 | SPANNER | 1 |
| 32128-23 | NUT-HEX FLANGE | 1 |
| 325-22 | SCREW-HH | 1 |
| 3256-6 | WASHER-FLAT | 2 |
| 95-3077 | GM 3280D/3320 52"/132 cm SD Caster Wheel Kit | |
| 68-8970 | TIRE & BEARING ASSEMBLY | 2 |
| 68-8980 | SPANNER-TIRE | 2 |
| 32153-5 | NUT-LOCK | 2 |
| 325-19 | SCREW-HH | 2 |
| 3256-6 | WASHER-FLAT | 2 |
| 68-8970 | GM 3280D/3320 52"/132 cm SD Caster Wheel | |
| 68-8970 | TIRE & BEARING ASSEMBLY | 1 |
| 110-4767 | GM 3280D/3320 60"/152 cm SD 62"/158 cm RD/Guardian 72"/183 cm RD/SD/Guardian Caster Wheel | |
| 93-9938 | 8" WHEEL ASSEMBLY | 1 |
| 327-24 | SCREW-HH | 1 |
| 3296-53 | NUT-LOCK | 1 |

Groundsmaster Blade Packs

| Part No. | Description | Qty. |
|-----------------|---|------|
| 108-1477 | GM 200 Series GM 3280D/3320 52"/132 cm RD/SD Atomic Blade Pack | |
| 104-1301 | BLADE - ATOMIC 18" | 6 |
| 106-0631 | GM 200 Series GM 3280D/3320 62"/158 cm RD/SD Atomic Blade Pack | |
| 104-1303 | BLADE - ATOMIC 21.75" | 6 |
| 108-1478 | GM 200 Series 72"/183 cm RD/SD Atomic Blade Pack | |
| 104-1304 | BLADE - ATOMIC 24.75" | 6 |

Groundsmaster Blade Packs - continued

| Part No. | Description | Qty. |
|-----------------|---|------|
| 108-1454 | GM 300 Series GM 3280D/3320 72"/183 cm RD/SD Atomic Blade Pack | |
| 106-4353-03 | BLADE - ATOMIC 25" | 6 |
| 108-1452 | GM 455D 126"/320 cm Quadfloat Atomic Blade Pack | |
| 107-0216-03 | BLADE - ATOMIC 19" | 7 |
| 108-1453 | GM 580D Center & Wing Decks Atomic Blade Pack | |
| 107-0217-03 | BLADE - ATOMIC 20" | 11 |
| 108-1462 | GM 3500D/3505D 27"/69 cm RD Atomic Blade Pack | |
| 107-0235-03 | BLADE - ATOMIC 27" | 6 |
| 117-2722 | GM 4000D 132"/335 cm RD Standard Blade Pack | |
| 92-5608-03 | BLADE - STANDARD 21.75" | 7 |
| 110-6130 | GM 4000D 132"/335 cm RD Flat Sail Blade Pack | |
| 110-6115-03 | BLADE - FLAT SAIL 21.75" | 7 |
| 108-1450 | GM 4000D 132"/335 cm RD Atomic Blade Pack | |
| 107-0214-03 | BLADE - ATOMIC 21.75" | 7 |
| 137-5500 | GM 4000D 132"/335cm Medium Sail Blade Pack | |
| 136-4370-03 | BLADE - MEDIUM SAIL 21.75" | 7 |
| 110-6140 | GM 4100D 124"/315 cm RD Flat Sail Blade Pack | |
| 110-6116-03 | BLADE - FLAT SAIL 19" | 7 |
| 108-1451 | GM 4100D 124"/315 cm RD Atomic Blade Pack | |
| 107-0215-03 | BLADE - ATOMIC 19" | 7 |
| 108-1463 | GM 4500D 27"/69 cm RD Atomic Blade Pack | |
| 107-0235-03 | BLADE - ATOMIC 27" | 5 |
| 108-0800 | GM 4500D 27"/69 cm | |
| 108-9026-03 | BLADE - COMBINATION 27" | 5 |
| 108-0800 | GM3500D Combo Blade Pack | |
| 108-9026-03 | BLADE - COMBINATION 27" | 5 |
| 108-1464 | GM 4700D 27"/69 cm RD Atomic Blade Pack | |
| 107-0235-03 | BLADE - ATOMIC 27" | 7 |
| 115-8896 | GM 5900/5910 (2008-2016) Center & Wing Decks Standard Blade Pack | |
| 110-5946-03 | BLADE - STANDARD 20" | 11 |
| 114-0897 | GM 5900/5910 (2008-2016) Center & Wing Decks Atomic Blade Pack | |
| 110-5948-03 | BLADE - ATOMIC 20" | 11 |
| 119-8020 | GM360 Atomic Blade Pack | |
| 110-0624-03 | BLADE-ATOMIC 24.5" | 3 |
| 119-8021 | GM360 High Flow Blade Pack | |
| 110-0622-03 | BLADE-MEDIUM FLOW 24.5" | 3 |

QUICK REFERENCE GUIDE

MVP KITS

Filter Kits

| Part No. | Description | Qty. |
|-----------------|---|------|
| 31196 | Outcross® 9060 500 Hour MVP Filter Kit | |
| 108-3814 | AIR FILTER | 1 |
| 125-2915 | FUEL/WATER SEPARATOR | 1 |
| 125-7025 | FILTER ENGINE OIL | 2 |
| 125-8752 | FILTER FUEL/OIL | 1 |
| 30065 | Greensmaster 500/800/1000/1600 & Flex 18/21 (2004-2011) Filter Kit | |
| 93-8636 | AIR FILTER | 1 |
| 93-8637 | AIR FILTER | 1 |
| 93-8584 | SPARK PLUG | 1 |
| 30097 | Greensmaster 800/1000/1600 & Flex 18/21 (2012 & Up) Filter Kit | |
| 121-0618 | ELEMENT SET | 1 |
| 121-0547 | SPARK PLUG | 1 |
| 30064 | Greensmaster 3150 (up to 2011) 400 Hour Filter Kit | |
| 107-7817 | OIL FILTER | 5 |
| 107-9531 | HYDRAULIC OIL FILTER | 1 |
| 92-0527 | AIR CLEANER CARTRIDGE | 1 |
| 92-0530 | FILTER ELEMENT | 1 |
| 131-6262 | Greensmaster 3120/3150Q (2012 & Up) 800 Hour Filter Kit | |
| 107-7817 | FILTER - OIL, ENGINE | 9 |
| 92-0527 | AIR CLEANER CARTRIDGE | 8 |
| 107-9531 | HYDRAULIC OIL FILTER | 2 |
| 94-2690 | FUEL FILTER | 1 |
| 108-6945 | SPARK PLUG | 2 |
| 131-8785 | Greensmaster 3120/3150Q (2012 & Up) 800 Hour Standard Filter Kit | |
| 107-7817 | OIL FILTER | 8 |
| 92-0527 | AIR CLEANER CARTRIDGE | 8 |
| 107-9531 | HYDRAULIC OIL FILTER | 1 |
| 94-2690 | FILTER - FUEL | 1 |
| 108-6945 | SPARK PLUG | 2 |
| 30018 | Greensmaster 3250D (2003-2006) 400 Hour Filter Kit | |
| 108-3842 | ENGINE OIL FILTER | 5 |
| 107-9531 | HYDRAULIC OIL FILTER | 1 |
| 108-3811 | AIR FILTER | 2 |
| 30062 | Greensmaster 3250D (2007 - 2011) 400 Hour Filter Kit | |
| 108-3842 | ENGINE OIL FILTER | 3 |
| 107-9531 | HYDRAULIC OIL FILTER | 1 |
| 108-3811 | AIR FILTER | 2 |
| 112-9188 | FILTER ELEMENT | 1 |
| 30086 | Greensmaster 3250D (2012 & UP) 500 Hour Filter Kit | |
| 115-8189 | ENGINE OIL FILTER (KUBOTA D902) | 4 |
| 107-9531 | HYDRAULIC OIL FILTER | 1 |
| 108-3811 | AIR FILTER | 2 |
| 110-9049 | FILTER - SPIN ON | 1 |
| 30042 | Greensmaster 3300/3320 400 Hour Filter Kit | |
| 108-5194 | HYDRAULIC OIL FILTER | 1 |
| 107-7817 | ENGINE OIL FILTER | 5 |
| 30043 | Greensmaster 3400/3420 400 Hour Filter Kit | |
| 108-3811 | AIR FILTER | 2 |
| 108-5194 | HYDRAULIC OIL FILTER | 1 |
| 115-8189 | ENGINE OIL FILTER | 3 |

Filter Kits - continued

| Part No. | Description | Qty. |
|--------------|---|------|
| 30016 | Reelmaster 3100D (1999-2007) 400 Hour Filter Kit | |
| 108-3841 | ENGINE OIL FILTER | 3 |
| 54-0110 | HYDRAULIC OIL FILTER | 3 |
| 108-3811 | AIR FILTER | 2 |
| 98-9764 | FUEL/WATER SEPARATOR | 1 |
| 108-3828 | FUEL FILTER - IN-LINE | 1 |
| 30053 | Reelmaster 3100D (2008 & Up) 400 Hour Filter Kit | |
| 108-3841 | ENGINE OIL FILTER | 3 |
| 54-0110 | HYDRAULIC OIL FILTER | 2 |
| 108-3811 | AIR FILTER | 2 |
| 110-9049 | FUEL/WATER SEPARATOR | 1 |
| 30090 | Reelmaster 3550D/3555D/3575D 400 Hour Filter Kit | |
| 108-3841 | ENGINE OIL FILTER | 3 |
| 86-3010 | TRANSMISSION OIL FILTER | 3 |
| 108-3811 | AIR FILTER | 2 |
| 110-9049 | FILTER-SPIN ON | 1 |
| 110-9049 | FUEL/WATER SEPARATOR | 1 |
| 30012 | Reelmaster 4000D (2002-2007) 400 Hour Filter Kit | |
| 104-5169 | ENGINE OIL FILTER | 3 |
| 86-6110 | HYDRAULIC OIL FILTER | 1 |
| 108-3828 | FUEL FILTER - IN-LINE | 1 |
| 98-9764 | FUEL/WATER SEPARATOR | 1 |
| 108-3812 | AIR FILTER - OUTER | 1 |
| 108-3813 | AIR FILTER - INNER | 1 |
| 30061 | Reelmaster 4000D (2008 & Up) 400 Hour Filter Kit | |
| 104-5169 | ENGINE OIL FILTER | 3 |
| 86-6110 | HYDRAULIC OIL FILTER | 1 |
| 98-9764 | FUEL/WATER SEPARATOR | 1 |
| 108-3812 | AIR FILTER - OUTER | 1 |
| 108-3813 | AIR FILTER - INNER | 1 |
| 30015 | Reelmaster 5200D/5400D 400 Hour Filter Kit | |
| 108-3841 | ENGINE OIL FILTER | 3 |
| 110-4146 | TRANSMISSION OIL FILTER | 1 |
| 108-3828 | FUEL FILTER - IN-LINE | 1 |
| 108-3810 | AIR FILTER | 1 |
| 98-9764 | FUEL/WATER SEPARATOR | 1 |
| 30039 | Reelmaster 5210/5410/5510 (2006-2007) 400 Hour Filter Kit | |
| 108-3841 | ENGINE OIL FILTER | 4 |
| 108-3828 | FUEL FILTER - IN-LINE | 1 |
| 108-3810 | AIR FILTER | 1 |
| 98-9764 | FUEL/WATER SEPARATOR | 1 |
| 30054 | Reelmaster 5210/5410/5510 pre Tier 4 (2008 & Up) 400 Hour Filter Kit | |
| 108-3841 | ENGINE OIL FILTER | 3 |
| 108-3810 | AIR FILTER | 1 |
| 110-9049 | FUEL/WATER SEPARATOR | 1 |
| 94-2621 | HYDRAULIC OIL FILTER | 1 |
| 86-3010 | HYDRAULIC OIL FILTER | 1 |
| 30247 | Reelmaster 5010-H 800 Hour Filter Kit | |
| 108-3841 | ENGINE OIL FILTER | 6 |
| 110-9049 | FUEL/WATER SEPARATOR | 2 |
| 86-3010 | HYDRAULIC OIL FILTER | 1 |
| 108-3810 | AIR FILTER | 1 |

Filter Kits - continued

| Part No. | Description | Qty. |
|--------------|---|------|
| 30091 | Reelmaster 5410G/5510G 800 Hour MVP Filter Kit | |
| 108-3810 | AIR FILTER | 1 |
| 108-3841 | OIL FILTER | 4 |
| 94-2621 | FILTER ELEMENT | 1 |
| 86-3010 | TRANSMISSION OIL FILTER | 1 |
| 30093 | Reelmaster 5410D/5510D Tier4 Final 800 Hour MVP Filter Kit | |
| 108-3810 | AIR FILTER | 1 |
| 125-7025 | OIL FILTER | 3 |
| 94-2621 | FILTER ELEMENT | 1 |
| 86-3010 | TRANSMISSION OIL FILTER | 1 |
| 125-2915 | FILTER SPIN ON | 2 |
| 125-8752 | FUEL FILTER | 2 |
| 30038 | Reelmaster 5500D 400 Hour Filter Kit | |
| 108-3841 | ENGINE OIL FILTER | 5 |
| 110-4146 | TRANSMISSION OIL FILTER | 1 |
| 94-2621 | HYDRAULIC OIL FILTER | 1 |
| 108-3810 | AIR FILTER | 1 |
| 98-9764 | FUEL/WATER SEPARATOR | 1 |
| 108-3828 | FUEL FILTER - IN-LINE | 1 |
| 30040 | Reelmaster 5610 (2006-2007) 400 Hour Filter Kit | |
| 108-3841 | ENGINE OIL FILTER | 4 |
| 108-3828 | FUEL FILTER - IN-LINE | 1 |
| 108-3812 | AIR FILTER | 1 |
| 98-9764 | FUEL/WATER SEPARATOR | 1 |
| 30055 | Reelmaster 5610 (2008- 2012) 400 Hour Filter Kit | |
| 108-3841 | ENGINE OIL FILTER | 3 |
| 108-3812 | AIR FILTER | 1 |
| 110-9049 | FUEL/WATER SEPARATOR | 1 |
| 94-2621 | HYDRAULIC OIL FILTER | 1 |
| 86-3010 | HYDRAULIC OIL FILTER | 1 |
| 30014 | Reelmaster 6500D/6700D (2003-2007) 400 Hour Filter Kit | |
| 108-3841 | ENGINE OIL FILTER | 3 |
| 108-3828 | FUEL FILTER - IN-LINE | 1 |
| 98-9764 | FUEL/WATER SEPARATOR | 1 |
| 108-3812 | AIR FILTER - OUTER | 1 |
| 108-3813 | AIR FILTER - INNER | 1 |
| 94-2621 | HYDRAULIC OIL FILTER | 1 |
| 30057 | Reelmaster 6500D/6700D (2008 & Up) 400 Hour Filter Kit | |
| 108-3841 | ENGINE OIL FILTER | 3 |
| 110-9049 | FUEL/WATER SEPARATOR | 1 |
| 108-3812 | AIR FILTER - OUTER | 1 |
| 108-3813 | AIR FILTER - INNER | 1 |
| 94-2621 | HYDRAULIC OIL FILTER | 1 |
| 30056 | Reelmaster 7000D 400 Hour Filter Kit (2008 & Up) | |
| 104-5169 | ENGINE OIL FILTER | 3 |
| 75-1310 | HYD OIL FILTER - PUMP | 1 |
| 94-2621 | HYD OIL FILTER - MANIFOLD | 1 |
| 110-9049 | FUEL/WATER SEPARATOR | 1 |
| 108-3814 | AIR FILTER - OUTER | 1 |
| 108-3816 | AIR FILTER - INNER | 1 |

Filter Kits - continued

| Part No. | Description | Qty. |
|--------------|---|------|
| 30030 | Groundsmaster 223D 400 Hour Filter Kit | |
| 108-3841 | ENGINE OIL FILTER | 5 |
| 23-2300 | TRANSMISSION OIL FILTER | 2 |
| 43-2550 | FILTER - ELEC FUEL PUMP | 1 |
| 63-8300 | FUEL/WATER SEPARATOR | 1 |
| 108-3833 | AIR FILTER | 2 |
| 30002 | Groundsmaster 225 400 Hour Filter Kit | |
| 108-3842 | ENGINE OIL FILTER | 5 |
| 23-2300 | TRANSMISSION OIL FILTER | 3 |
| 108-3833 | AIR FILTER | 1 |
| 95-2926 | FUEL FILTER | 1 |
| 30001 | Groundsmaster 228D 400 Hour Filter Kit | |
| 108-3841 | ENGINE OIL FILTER | 5 |
| 23-2300 | TRANSMISSION OIL FILTER | 3 |
| 98-9764 | FUEL/WATER SEPARATOR | 1 |
| 108-3828 | FUEL FILTER - IN-LINE | 1 |
| 108-3810 | AIR FILTER | 1 |
| 30023 | Groundsmaster 325D 400 Hour Filter Kit | |
| 108-3841 | ENGINE OIL FILTER | 5 |
| 23-9740 | TRANSMISSION OIL FILTER | 3 |
| 43-2550 | FILTER - ELEC FUEL PUMP | 1 |
| 63-8300 | FUEL/WATER SEPARATOR | 1 |
| 108-3833 | AIR FILTER | 1 |
| 30022 | Groundsmaster 328D (2001-2007) 400 Hour Filter Kit | |
| 108-3841 | ENGINE OIL FILTER | 3 |
| 23-9740 | TRANSMISSION OIL FILTER | 3 |
| 108-3828 | FUEL FILTER - IN-LINE | 1 |
| 98-9764 | FUEL/WATER SEPARATOR | 1 |
| 108-3810 | AIR FILTER | 1 |
| 30059 | Groundsmaster 328D (2008 & Up) 400 Hour Filter Kit | |
| 108-3841 | ENGINE OIL FILTER | 3 |
| 23-9740 | TRANSMISSION OIL FILTER | 3 |
| 112-7836 | FUEL FILTER - IN-LINE | 1 |
| 110-9049 | FUEL/WATER SEPARATOR | 1 |
| 108-3810 | AIR FILTER | 2 |
| 30021 | Groundsmaster 345 400 Hour Filter Kit | |
| 108-3817 | ENGINE OIL FILTER | 5 |
| 23-9740 | TRANSMISSION OIL FILTER | 3 |
| 108-3831 | FUEL FILTER | 1 |
| 108-3833 | AIR FILTER | 1 |
| 30261 | Groundsmaster 360/7210 Tier4 Final - Yanmar (2015 & after) 400 Hour Filter Kit | |
| 108-3810 | FILTER - AIR | 1 |
| 125-7025 | FILTER | 1 |
| 108-5194 | FILTER - OIL, HYDRAULIC | 1 |
| 125-2915 | FILTER - SPIN ON | 1 |
| 125-8752 | FILTER - FUEL | 1 |
| 30028 | Groundsmaster 455D 400 Hour Filter Kit | |
| 108-3837 | ENGINE OIL FILTER | 5 |
| 86-3010 | HYDRAULIC OIL FILTER | 1 |
| 76-5220 | FUEL FILTER | 1 |
| 108-3812 | AIR FILTER - OUTER | 1 |
| 108-3813 | AIR FILTER - INNER | 1 |

*Not illustrated. **Not sold separately. See pages 20-33 for kit contents. Prices subject to change without notice. Please see your Parts Catalog or Master Parts Viewer to ensure the correct part is ordered, as the part you need may not be listed above. toro.com/parts

QUICK REFERENCE GUIDE

MVP KITS

Filter Kits - continued

| Part No. | Description | Qty. |
|--------------|--|------|
| 30024 | Groundsmaster 580D (1989-2003) 400 Hour Filter Kit | |
| 110-6166 | ENGINE OIL FILTER | 5 |
| 69-1720 | HYDRAULIC OIL FILTER | 2 |
| 69-1770 | FUEL/WATER SEPARATOR | 2 |
| 108-3815 | AIR FILTER | 1 |
| 30063 | Groundsmaster 580D (2004-2008) 400 Hour Filter Kit | |
| 110-6166 | ENGINE OIL FILTER | 3 |
| 69-1720 | HYDRAULIC OIL FILTER | 2 |
| 60-5470 | FUEL/WATER SEPARATOR | 1 |
| 108-3815 | AIR FILTER | 2 |
| 30010 | Groundsmaster 3000D 400 Hour Filter Kit | |
| 108-3837 | ENGINE OIL FILTER | 5 |
| 94-3951 | HYDRAULIC OIL FILTER | 2 |
| 76-5220 | FUEL FILTER | 1 |
| 108-3812 | AIR FILTER | 1 |
| 30034 | Groundsmaster 3280D (2005-2007) 400 Hour Filter Kit | |
| 108-3841 | ENGINE OIL FILTER | 4 |
| 23-2300 | TRANSMISSION OIL FILTER | 4 |
| 98-9764 | FUEL/WATER SEPARATOR | 1 |
| 108-3828 | FUEL FILTER - IN-LINE | 1 |
| 108-3810 | AIR FILTER | 1 |
| 30051 | Groundsmaster 3280D (2008-2015) 400 Hour Filter Kit | |
| 108-3841 | ENGINE OIL FILTER | 3 |
| 23-2300 | TRANSMISSION OIL FILTER | 2 |
| 110-9049 | FUEL/WATER SEPARATOR | 1 |
| 108-3810 | AIR FILTER | 1 |
| 30262 | Groundsmaster 3280D (2016 & After) 400 Hour Filter Kit | |
| 108-3841 | ENGINE OIL FILTER | 3 |
| 54-0110 | TRANSMISSION OIL FILTER | 2 |
| 110-9049 | FUEL/WATER SEPARATOR | 1 |
| 108-3810 | AIR FILTER | 1 |
| 30027 | Groundsmaster 3500D/3505D (2002-2007) 400 Hour Filter Kit | |
| 108-3841 | ENGINE OIL FILTER | 3 |
| 86-3010 | HYDRAULIC OIL FILTER | 3 |
| 108-3828 | FUEL FILTER - IN-LINE | 1 |
| 98-9764 | FUEL/WATER SEPARATOR | 1 |
| 108-3810 | AIR FILTER | 2 |
| 30058 | Groundsmaster 3500D/3505D (2008-2012) 400 Hour Filter Kit | |
| 108-3841 | ENGINE OIL FILTER | 3 |
| 86-3010 | HYDRAULIC OIL FILTER | 3 |
| 110-9049 | FUEL/WATER SEPARATOR | 1 |
| 108-3810 | AIR FILTER | 2 |
| 30090 | Groundsmaster 3500D/3505D (Model 30807 & 30849) 400 Hour Filter Kit | |
| 108-3841 | ENGINE OIL FILTER | 3 |
| 86-3010 | TRANSMISSION OIL FILTER | 3 |
| 108-3811 | AIR FILTER | 2 |
| 110-9049 | FILTER-SPIN ON | 1 |
| 110-9049 | FUEL/WATER SEPARATOR | 1 |

Filter Kits - continued

| Part No. | Description | Qty. |
|--------------|---|------|
| 30246 | Groundsmaster 3500G (Model 30809) 400 Hour Filter MVP Kit | |
| 108-3811 | AIR FILTER | 2 |
| 115-8189 | ENGINE OIL FILTER | 3 |
| 86-3010 | HYDRAULIC OIL FILTER | 3 |
| 121-3625 | FUEL PUMP FILTER | 1 |
| 30029 | Groundsmaster 4000D/41000D/4500D/4700D (2002-2008) 400 Hour Filter Kit | |
| 104-5169 | ENGINE OIL FILTER | 3 |
| 75-1310 | HYD OIL FILTER - PUMP | 1 |
| 94-2621 | HYD OIL FILTER - MANIFOLD | 1 |
| 98-9764 | FUEL/WATER SEPARATOR | 1 |
| 108-3828 | FUEL FILTER - IN-LINE | 1 |
| 108-3814 | AIR FILTER - OUTER | 1 |
| 108-3816 | AIR FILTER - INNER | 1 |
| 30056 | Groundsmaster 4000D/41000D/4500D/4700D (2008 & 2012) 400 Hour Filter Kit | |
| 104-5169 | ENGINE OIL FILTER | 3 |
| 75-1310 | HYD OIL FILTER - PUMP | 1 |
| 94-2621 | HYD OIL FILTER - MANIFOLD | 2 |
| 110-9049 | FUEL/WATER SEPARATOR | 1 |
| 108-3814 | AIR FILTER - OUTER | 1 |
| 108-3816 | AIR FILTER - INNER | 1 |
| 30089 | Groundsmaster 4000D/4100D/4500D/4700D Tier 4i 800 Hour Filter MVP Kit Yanmar Engine | |
| 125-7025 | OIL FILTER | 3 |
| 75-1310 | HYDRAULIC OIL FILTER | 1 |
| 94-2621 | HYDRAULIC OIL FILTER | 1 |
| 115-9793 | BREATHER | 1 |
| 108-3814 | AIR FILTER | 1 |
| 108-3816 | AIR FILTER | 1 |
| 110-9049 | FILTER SPIN ON | 2 |
| 110-4812 | FUEL FILTER | 1 |
| 30408 | Groundsmaster 4000D/4100D/4500D/4700D Tier 4 Final (2013 & Up) 800 Hour Filter MVP Kit | |
| 125-7025 | OIL FILTER | 3 |
| 75-1310 | HYDRAULIC OIL FILTER | 1 |
| 94-2621 | HYDRAULIC OIL FILTER | 1 |
| 115-9793 | BREATHER | 1 |
| 108-3814 | AIR FILTER | 1 |
| 108-3816 | AIR FILTER | 1 |
| 125-2915 | FILTER SPIN ON | 2 |
| 125-8752 | FUEL FILTER | 2 |
| 110-4812 | AXLE VENT ASM | 1 |
| 110-4815 | INSERT FILTER ASM | 1 |
| 30055 | Groundsmaster 4300 400 Hour Filter Kit (2008 - 2012) | |
| 108-3841 | ENGINE OIL FILTER | 3 |
| 108-3812 | AIR FILTER | 1 |
| 110-9049 | FUEL/WATER SEPARATOR | 1 |
| 94-2621 | HYDRAULIC OIL FILTER | 1 |
| 86-3010 | HYDRAULIC OIL FILTER | 1 |

Filter Kits - continued

| Part No. | Description | Qty. |
|--------------|---|------|
| 30093 | Groundsmaster 4300D 800 Hour MVP Filter Kit (2012 & Up) | |
| 108-3810 | AIR FILTER | 1 |
| 125-7025 | OIL FILTER | 3 |
| 94-2621 | FILTER ELEMENT | 1 |
| 86-3010 | TRANSMISSION OIL FILTER | 1 |
| 125-2915 | FILTER SPIN ON | 2 |
| 125-8752 | FUEL FILTER | 2 |
| 30041 | Groundsmaster 5900/5910 400 Hour Filter Kit | |
| 130-8860 | ENGINE OIL FILTER | 2 |
| 86-6110 | HYD OIL FILTER - MAIN | 1 |
| 75-1310 | HYD OIL FILTER - PTO | 1 |
| 115-5471 | FUEL/WATER SEPARATOR | 1 |
| 117-2792 | FUEL FILTER - AT ENGINE | 1 |
| 31609 | Groundsmaster 5900 Tier 4 Final 400 Hour Filter Kit | |
| 125-7025 | OIL FILTER | 2 |
| 75-1310 | HYD OIL FILTER - PTO | 1 |
| 86-6110 | HYD OIL FILTER - MAIN | 1 |
| 125-2915 | FILTER SPIN ON | 1 |
| 125-8752 | FUEL FILTER | 1 |
| 30037 | Groundsmaster 7200/7210 (2007-2013) 400 Hour Filter Kit | |
| 108-3841 | ENGINE OIL FILTER | 3 |
| 108-5194 | TRANSMISSION OIL FILTER | 2 |
| 98-9764 | FUEL/WATER SEPARATOR | 1 |
| 108-3810 | AIR FILTER | 1 |
| 108-3828 | FUEL FILTER - IN-LINE | 1 |
| 30052 | Groundsmaster 7200/7210 (2008-2014) 400 Hour Filter Kit - Kubota | |
| 108-3841 | ENGINE OIL FILTER | 3 |
| 108-5194 | TRANSMISSION OIL FILTER | 1 |
| 110-9049 | FUEL/WATER SEPARATOR | 1 |
| 108-3810 | AIR FILTER | 1 |
| 30008 | Hydroject 3000 Aerator 400 Hour Maintenance Kit | |
| 108-3817 | ENGINE OIL FILTER | 5 |
| 67-8110 | TRANSMISSION OIL FILTER | 3 |
| 71-5960 | FUEL FILTER | 2 |
| 82-0660 | AIR FILTER - ELEMENT | 2 |
| 57-9340 | SPARK PLUG | 2 |
| 30005 | Workman 1100/1110/MD 400 Hour Filter Kit | |
| 108-3811 | AIR FILTER | 2 |
| 30004 | Workman 2100/2110/MDX 400 Hour Filter Kit | |
| 107-7817 | ENGINE OIL FILTER | 4 |
| 108-3811 | AIR FILTER | 2 |
| 30017 | Workman 3200/4200 (2002 Up) 400 Hour Maintenance Kit | |
| 108-3842 | ENGINE OIL FILTER | 5 |
| 108-3811 | AIR FILTER | 2 |
| 105-8045 | FUEL FILTER | 1 |
| 108-6945 | SPARK PLUG | 3 |
| 30006 | Workman 3300D/4300D (2002 Up) 400 Hour Filter Kit | |
| 108-3842 | ENGINE OIL FILTER | 5 |
| 108-3811 | AIR FILTER | 1 |
| 54-0110 | TRANSMISSION OIL FILTER | 1 |
| 63-8300 | FUEL/WATER SEPARATOR | 1 |

Filter Kits - continued

| Part No. | Description | Qty. |
|-----------------|---|------|
| 30035 | Sand/Infield Pro 3040/5040 400 Hour Filter Kit | |
| 107-7817 | ENGINE OIL FILTER | 9 |
| 54-0110 | HYDRAULIC OIL FILTER | 2 |
| 108-3811 | AIR FILTER | 2 |
| 08725 | SandPro 2040Z 400 Hour Filter Kit | |
| 114-3494 | FILTER ELEMENT | 2 |
| 127-0381 | INNER FILTER KIT | 4 |
| 119-5852 | OIL FILTER | 5 |
| 108-3811 | AIR FILTER | 2 |
| 115-7854 | IN-LINE FUEL FILTER | 2 |
| 92-2153 | SPARK PLUG | 2 |
| 131-3751 | 1200/1250/1750 MVP Kit Filter/Screen Suction | |
| 120-0796 | PUMP KIT | 1 |
| 100-8642 | SUCTION SCREEN | 1 |
| 131-0209 | PRESSURE SCREEN | 1 |
| 130-7304 | VALVE KIT | 6 |
| 30073 | Workman HDX Series (2012 & Older) - 400 Hour Maintenance Kit | |
| 108-3811 | AIR FILTER | 2 |
| 108-3842 | OIL FILTER | 3 |
| 115-7854 | FUEL FILTER - INLINE (5/16) | 2 |
| 54-0110 | TRANSMISSION OIL FILTER | 1 |
| 115-7818 | FUEL FILTER ASM | 1 |
| 30068 | Workman HDX-D Series (2012 & Older) - 400 Hour Maintenance Kit | |
| 108-3811 | AIR FILTER | 2 |
| 108-3842 | OIL FILTER | 3 |
| 110-9049 | FUEL/WATER SEPARATOR | 1 |
| 54-0110 | TRANSMISSION OIL FILTER | 1 |
| 30248 | Workman HDX Series (2013 & Up) - 400 Hour Maintenance Kit | |
| 108-3810 | AIR FILTER | 2 |
| 115-8189 | FILTER-OIL, ENGINE | 3 |
| 115-7818 | FUEL FILTER ASM | 1 |
| 54-0110 | FILTER-OIL,TRANSMISSION | 1 |
| 125-9139 | SPARK PLUG | 3 |
| 110-3796 | V-BELT | 1 |
| 30249 | Workman HDX-D Series (2013 & Up) - 400 Hour Maintenance Kit | |
| 108-3810 | AIR FILTER | 2 |
| 115-8189 | FILTER-OIL, ENGINE | 3 |
| 110-9049 | FILTER-SPIN ON | 1 |
| 54-0110 | FILTER-OIL,TRANSMISSION | 1 |
| 110-3796 | V-BELT | 1 |
| 131-8276 | Workman HDX-Auto (2014 & Up) - 400 Hour Maintenance Kit | |
| 108-3811 | AIR FILTER | 4 |
| 108-3847 | OIL FILTER | 3 |
| 115-7818 | FUEL FILTER ASM | 1 |
| 54-0110 | FILTER-OIL,TRANSMISSION | 1 |
| 136-1100 | SPARK PLUG | 2 |
| 136-6280 | Workman GTX - 400 Hour Maintenance Kit | |
| 108-3811 | AIR FILTER | 4 |
| 131-8589 | SPARK PLUG | 1 |
| 130-8380 | FUEL FILTER | 1 |

*Not illustrated. **Not sold separately. See pages 20-33 for kit contents. Prices subject to change without notice. Please see your Parts Catalog or Master Parts Viewer to ensure the correct part is ordered, as the part you need may not be listed above. toro.com/parts

QUICK REFERENCE GUIDE

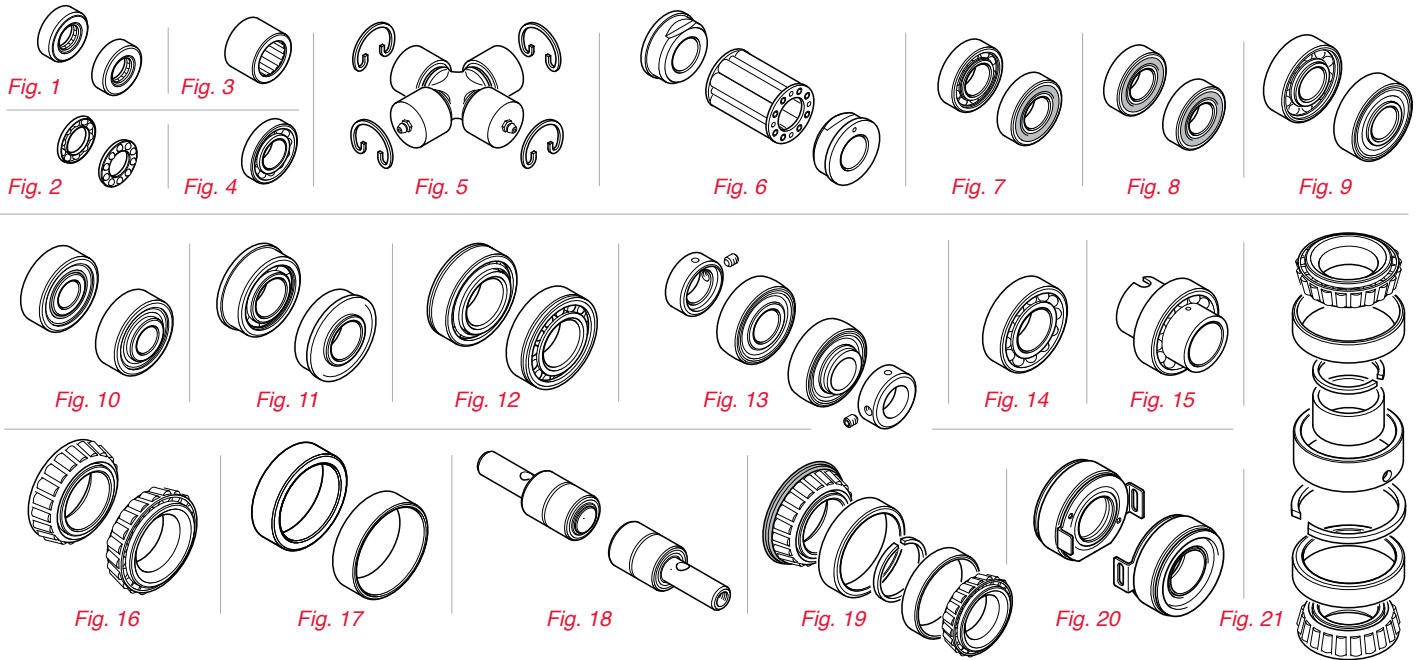
MVP KITS

Touch-Up Paint

| Part No. | Description | Qty. |
|----------|--|------|
| 361-1 | TORO Red (Prior to 1990) 12 oz Spray Can Touch-Up Paint | A/R |
| 361-10 | TORO Red (1990 & Up) 12 oz Spray Can Touch-Up Paint | A/R |
| 112-0178 | TORO Red (1990 & Up) 0.6 oz Brush-in-Cap Touch-Up Paint | A/R |
| 112-0177 | TORO Red (1990 & Up) 0.3 oz Paint Marker Touch-Up Paint | A/R |
| 112-0176 | TORO Black 0.6 oz Brush-in-Cap Touch-Up Paint | A/R |
| 112-0175 | TORO Black 0.3 oz Paint Marker Touch-Up Paint | A/R |

QUICK REFERENCE GUIDE

BEARINGS



Greensmaster® - Walkers

| Equipment | Application | Fig. No. | Component | Year | Description | Part No. |
|--|----------------------------|------------------------------|-----------------------------|---|---|---|
| Greensmaster 800 1000 1600 2000 2600 | <i>Cutting Unit</i> | 14 | Reel | All | BALL BEARING ASSEMBLY - DUAL ROW | 251-342 |
| | | 19 | Front Roller | All | BEARING & SHAFT ASSEMBLY | 52-3180 |
| | | 7 | Groomer Reel Shaft | All | BALL BEARING ASSEMBLY - OUTER SEAL ONLY | 251-327 |
| | | 7 | Groomer Drive Belt Idler | All | BALL BEARING ASSEMBLY - OUTER SEAL ONLY | 251-328 |
| | | <i>Traction Unit</i> | 7 | Reel Drive Clutch Housing | 1993 & Up | BALL BEARING ASSEMBLY - OUTER SEAL ONLY |
| 8 | Reel Drive Clutch | | All | BALL BEARING ASSEMBLY - SEALED | 251-336 | |
| 14 | Countershaft Support | | All | BALL BEARING ASSEMBLY - DUAL ROW | 251-338 | |
| 8 | Idler Pulleys | | All | BALL BEARING ASSEMBLY - SEALED | 38-7820 | |
| 14 | Drum Drive Shaft | | All | BALL BEARING ASSEMBLY - DUAL ROW | 251-338 | |
| 7 | Drum Spindle/Hub | | 1990-99 | BALL BEARING ASSEMBLY - OUTER SEAL ONLY | 251-257 | |
| 8 | Drum Spindle/Hub | | 2000 & Up | BALL BEARING ASSEMBLY - SEALED | 251-82 | |
| 13 | Drum - Outer Shaft Bearing | | 1993 & Up | BALL BEARING ASSEMBLY - SELF ALIGNING | 88-7880 | |
| Greensmaster Flex 1800 2100 | <i>Cutting Unit</i> | 14 | Reel | All | BALL BEARING ASSEMBLY - DUAL ROW | 251-342 |
| | | 8 | Roller | All | BALL BEARING ASSEMBLY - SEALED | 251-347 |
| | | 8 | Groomer Drive Belt Idler | All | BALL BEARING ASSEMBLY - SEALED | 251-259 |
| | | * | Groomer Drive | All | BEARING - RH REVERSE GROOMER | 106-4237 |
| | | eFlex 1800 2100 | <i>Traction Unit</i> | 8 | Reel Drive Shaft | All |
| 13 | Drum Drive Shaft | | | 2001-04 | BALL BEARING - SELF ALIGNING W/COLLAR | 104-0538 |
| 13 | Drum Drive Shaft | | | 2005 & Up | BALL BEARING - SELF ALIGNING W/COLLAR | 106-8448 |
| 8 | Drum Spindle/Hub | | | All | BALL BEARING ASSEMBLY - SEALED | 251-82 |
| Trans Pro 80 100 | <i>Trailer</i> | 16 | Wheel - Inner/Outer Bearing | All | ROLLER BEARING ASSEMBLY - TAPERED CONE | 254-92 |
| | | 17 | Wheel - Inner/Outer Bearing | All | BEARING RACE - TAPERED CUP | 254-72 |

QUICK REFERENCE GUIDE

BEARINGS

Greensmaster® - Riders

| Equipment | Application | Fig. No. | Component | Year | Description | Part No. | | | |
|---|---|-------------------------------|---|-------------------------------|---|---|---|---|----------|
| Greensmaster 3300 Style Cutting Units* | <i>4-Bolt</i> | 18 | Front Roller | 1974 & Up | BEARING & SHAFT ASSEMBLY | 21-6410 | | | |
| | | 19 | Rear Roller | 1974 & Up | BEARING & SHAFT ASSEMBLY | 52-3180 | | | |
| | <i>Spiker</i> | <i>4 Bolt & SPA</i> | 18 | Front & Rear Rollers | 1974 & Up | BEARING & SHAFT ASSEMBLY | 21-6410 | | |
| | | | 16 | Reel | All | ROLLER BEARING ASSEMBLY - TAPERED CONE | 254-94 | | |
| | | | 17 | Reel | All | BEARING RACE - TAPERED CUP | 254-72 | | |
| | | | 2 | Reel Adjustment Knob | 1985-86 | THRUST BEARING CAGE ASSEMBLY | 257-6 | | |
| | | | 19 | Front & Rear Rollers | All | BEARING & SHAFT ASSEMBLY | 52-3180 | | |
| | | | 7 | Roller Brush Kit Rear Roller | All | BALL BEARING ASSEMBLY - OUTER SEAL ONLY | 85-9970 | | |
| | | | <i>Groomer</i> | 7 | Groomer Reel Drive | All | BALL BEARING ASSEMBLY - OUTER SEAL ONLY | 251-327 | |
| | 7 | Groomer Drive Shaft | | All | BALL BEARING ASSEMBLY - OUTER SEAL ONLY | 251-327 | | | |
| | 7 | Groomer Drive Belt Idler | | All | BALL BEARING ASSEMBLY - OUTER SEAL ONLY | 251-328 | | | |
| | Greensmaster 3200 Style Cutting Units* | <i>Spiker</i> | 19 | Front & Rear Rollers | 1985-92 | BEARING & SHAFT ASSEMBLY | 52-3180 | | |
| | | | <i>4-Bolt & SPA</i> | 14 | Reel | 1995-00 | BALL BEARING ASSEMBLY - DUAL ROW | 93-2489 | |
| | | 9 | | Front Roller | All | BALL BEARING ASSEMBLY - OUTER SEAL ONLY | 93-2559 | | |
| | | 18 | | Wiehle Front Roller | All | BEARING & SHAFT ASSEMBLY | 75-1290 | | |
| | | 9 | | Rear Roller | 1995-98 | BALL BEARING ASSEMBLY - OUTER SEAL ONLY | 93-2559 | | |
| | | 7 | | Rear Roller | 1999-00 | BALL BEARING ASSEMBLY - OUTER SEAL ONLY | 85-9970 | | |
| | | 13 | | Rear Roller Brush Shaft | All | BALL BEARING - SELF ALIGNING W/COLLAR | 98-5208 | | |
| | | 4 | | Rear Roller Brush Drive Shaft | All | BALL BEARING ASSEMBLY - SINGLE ROW | 98-5215 | | |
| <i>Groomer</i> | | 14 | Groomer Reel Drive | All | BALL BEARING ASSEMBLY - SINGLE ROW | 251-336 | | | |
| | | 8 | Groomer Drive Shaft | All | BALL BEARING ASSEMBLY - SEALED | 95-0707 | | | |
| | | 7 | Groomer Drive Belt Idler | All | BALL BEARING ASSEMBLY - OUTER SEAL ONLY | 38-7820 | | | |
| <i>Dethatcher</i> | | 7 | Front Roller | 1997 & Up | BALL BEARING ASSEMBLY - OUTER SEAL ONLY | 85-9970 | | | |
| | | 9 | Rear Roller | All | BALL BEARING ASSEMBLY - OUTER SEAL ONLY | 93-2559 | | | |
| | | <i>Spiker</i> | 9 | Rear Roller | All | BALL BEARING ASSEMBLY - OUTER SEAL ONLY | 93-2559 | | |
| | | | Greensmaster 3050 Style Cutting Units* | <i>4-Bolt & SPA</i> | 14 | Reel | 2001 | BALL BEARING ASSEMBLY - DUAL ROW | 93-2489 |
| | | | | | 14 | Reel | 2002-03 | BALL BEARING ASSEMBLY - DUAL ROW | 105-3827 |
| | | <i>Spiker</i> | | <i>Tri-Roller</i> | 19 | Front Roller | All | BEARING & SHAFT ASSEMBLY | 52-3180 |
| 7 | | | | | Rear Roller | All | BALL BEARING ASSEMBLY - OUTER SEAL ONLY | 85-9970 | |
| 13 | | | | | Rear Roller Brush Shaft | All | BALL BEARING - SELF ALIGNING W/COLLAR | 98-5208 | |
| 4 | Rear Roller Brush Drive Shaft | | | | All | BALL BEARING ASSEMBLY - SINGLE ROW | 98-5215 | | |
| <i>Groomer</i> | 14 | | | | Groomer Reel | All | BALL BEARING ASSEMBLY - SINGLE ROW | 95-0707 | |
| | 8 | | | | Groomer Drive Shaft | All | BALL BEARING ASSEMBLY - SEALED | 251-336 | |
| | 7 | | | | Groomer Drive Belt Idler | All | BALL BEARING ASSEMBLY - OUTER SEAL ONLY | 38-7820 | |
| <i>Spiker</i> | 9 | Rear Roller | | All | BALL BEARING ASSEMBLY - OUTER SEAL ONLY | 93-2559 | | | |
| | Greensmaster DPA Cutting Units* | <i>Tri-Roller</i> | | 9 | Rear Roller | All | BALL BEARING ASSEMBLY - OUTER SEAL ONLY | 93-2559 | |
| | | | | <i>DPA</i> | 14 | Reel | 2003-06 | BALL BEARING ASSEMBLY - DUAL ROW | 93-2489 |
| 8 | | Roller | | | All | BALL BEARING ASSEMBLY - SEALED | 251-347 | | |
| 13 | | Rear Roller Brush Shaft | | | All | BALL BEARING - SELF ALIGNING W/COLLAR | 132-6979 | | |
| 8 | | Roller Brush Drive Belt Idler | | | All | BALL BEARING ASSEMBLY - SEALED | 251-259 | | |
| 8 | | Groomer Drive Belt Idler | | | All | BALL BEARING ASSEMBLY - SEALED | 251-259 | | |
| Greensmaster 300 | | <i>Traction Unit</i> | | | 9 | Pull Frame Roller | All | BALL BEARING ASSEMBLY - OUTER SEAL ONLY | 133-2378 |
| | | | | | 16 | Rear Wheel | All | ROLLER BEARING ASSEMBLY - TAPERED CONE | 254-78 |
| | | | | 17 | Rear Wheel | All | BEARING RACE - TAPERED CUP | 254-79 | |
| Greensmaster 3000 3000D | | <i>Traction Unit</i> | 9 | Pull Frame Roller | All | BALL BEARING ASSEMBLY - OUTER SEAL ONLY | 133-2378 | | |
| | | | 16 | Rear Wheel | All | ROLLER BEARING ASSEMBLY - TAPERED CONE | 254-78 | | |
| | | | 17 | Rear Wheel | All | BEARING RACE - TAPERED CUP | 254-79 | | |
| Greensmaster 3050 | | <i>Traction Unit</i> | 9 | Pull Frame Roller | All | BALL BEARING ASSEMBLY - OUTER SEAL ONLY | 133-2378 | | |
| | | | 16 | Rear Wheel | All | ROLLER BEARING ASSEMBLY - TAPERED CONE | 254-78 | | |
| | | | 17 | Rear Wheel | All | BEARING RACE - TAPERED CUP | 254-79 | | |
| Greensmaster 3100D | | <i>Traction Unit</i> | 9 | Pull Frame Roller | All | BALL BEARING ASSEMBLY - OUTER SEAL ONLY | 133-2378 | | |
| | | | 16 | 2WD Rear Wheel | All | ROLLER BEARING ASSEMBLY - TAPERED CONE | 254-78 | | |
| | | | 17 | 2WD Rear Wheel | All | BEARING RACE - TAPERED CUP | 254-79 | | |
| Greensmaster 3150 | | <i>Traction Unit</i> | 9 | Pull Frame Roller | All | BALL BEARING ASSEMBLY - OUTER SEAL ONLY | 133-2378 | | |
| | 8 | | Neutral Centering Device | All | BALL BEARING ASSEMBLY - SEALED | 251-259 | | | |
| | 8 | | Traction Function Lever | All | BALL BEARING ASSEMBLY - SEALED | 251-259 | | | |
| | 16 | | Rear Wheel | All | ROLLER BEARING ASSEMBLY - TAPERED CONE | 254-78 | | | |
| | 17 | | Rear Wheel | All | BEARING RACE - TAPERED CUP | 254-79 | | | |
| Greensmaster 3200 3200D | <i>Traction Unit</i> | 8 | Neutral Arm | All | BALL BEARING ASSEMBLY - SEALED | 251-259 | | | |
| | | 8 | Traction Function Lever | All | BALL BEARING ASSEMBLY - SEALED | 251-259 | | | |
| | | 16 | Rear Wheel | All | ROLLER BEARING ASSEMBLY - TAPERED CONE | 254-78 | | | |
| | | 17 | Rear Wheel | All | BEARING RACE - TAPERED CUP | 254-79 | | | |

*Not illustrated. **Not sold separately. See pages 20-33 for kit contents. Prices subject to change without notice. Please see your Parts Catalog or Master Parts Viewer to ensure the correct part is ordered, as the part you need may not be listed above. toro.com/parts

QUICK REFERENCE GUIDE

BEARINGS

Greensmaster® - Riders - continued

| Equipment | Application | Fig. No. | Component | Year | Description | Part No. |
|-------------------------------|----------------------|----------|--------------------------|------|--|----------|
| Greensmaster 3250D | <i>Traction Unit</i> | 8 | Neutral Centering Device | All | BALL BEARING ASSEMBLY - SEALED | 251-259 |
| | | 8 | Traction Function Lever | All | BALL BEARING ASSEMBLY - SEALED | 251-259 |
| | | 16 | Rear Wheel | All | ROLLER BEARING ASSEMBLY - TAPERED CONE | 254-78 |
| | | 17 | Rear Wheel | All | BEARING RACE - TAPERED CUP | 254-79 |
| Greensmaster 3300 | <i>Cutting Unit</i> | 8 | Rear Rollers | All | BALL BEARING ASSEMBLY - SEALED | 251-347 |
| | | * | Groomer Drive | All | BEARING - RH REVERSE GROOMER | 106-4237 |
| 3320 | <i>Traction Unit</i> | 8 | Neutral Centering Device | All | BALL BEARING ASSEMBLY - SEALED | 251-259 |
| 3400 | | 17 | Rear Wheel | All | BEARING RACE - TAPERED CUP | 254-72 |
| 3420 | | | | | | |

*Greensmaster cutting units can be attached to a variety of Greensmaster traction units. Use the Greensmaster Cutting Unit Reference Chart to help recognize cutting units by name.

Reelmaster®

| Equipment | Application | Fig. No. | Component | Year | DESCRIPTION | Part No. |
|--|----------------------|----------|-------------------------------|-----------|---|----------|
| Reelmaster 216 216D | <i>Cutting Unit</i> | 16 | Rear Wheel | All | ROLLER BEARING ASSEMBLY - TAPERED CONE | 254-94 |
| | | 13 | Reel | 1987-88 | BALL BEARING ASSEMBLY - SELF ALIGNING | 71-1360 |
| | | 13 | Reel | 1989 & Up | BALL BEARING ASSEMBLY - SELF ALIGNING | 251-331 |
| | | 2 | Reel Adjustment Knob | All | THRUST BEARING CAGE ASSEMBLY | 257-6 |
| | <i>Traction Unit</i> | 17 | Front & Rear Rollers | All | BEARING RACE - TAPERED CUP | 254-79 |
| | | 16 | Front & Rear Rollers | All | ROLLER BEARING ASSEMBLY - TAPERED CONE | 254-78 |
| | | 8 | Neutral Centering Device | All | BALL BEARING ASSEMBLY - SEALED | 251-259 |
| | | 11 | 2 WD Rear Wheel | All | BALL BEARING ASSEMBLY - FLANGED | 251-321 |
| Grounds Pro 2000 2000D | <i>Cutting Unit</i> | 13 | Reel | All | BALL BEARING ASSEMBLY - SELF ALIGNING | 251-331 |
| | | 2 | Reel Adjustment Knob | All | THRUST BEARING CAGE ASSEMBLY | 257-6 |
| | | 16 | Front & Rear Rollers | All | ROLLER BEARING ASSEMBLY - TAPERED CONE | 254-78 |
| | <i>Traction Unit</i> | 17 | Front & Rear Rollers | All | BEARING RACE - TAPERED CUP | 254-79 |
| | | 8 | Neutral Centering Device | All | BALL BEARING ASSEMBLY - SEALED | 251-259 |
| Reelmaster 2000D | <i>Cutting Units</i> | 13 | Reel | All | BALL BEARING ASSEMBLY - SELF ALIGNING | 100-4926 |
| | | 17 | Front & Rear Rollers | All | BEARING RACE - TAPERED CUP | 254-79 |
| | | 16 | Front & Rear Rollers | All | ROLLER BEARING ASSEMBLY - TAPERED CONE | 254-78 |
| | | 8 | 27" Verticut - Roller | All | BALL BEARING ASSEMBLY - SEALED | 251-347 |
| | <i>Traction Unit</i> | 8 | Neutral Centering Device | All | BALL BEARING ASSEMBLY - SEALED | 251-259 |
| | | 16 | Rear Wheel - Inner/Outer | All | ROLLER BEARING ASSEMBLY - TAPERED CONE | 254-94 |
| | | 17 | Rear Wheel - Inner/Outer | All | BEARING RACE - TAPERED CUP | 254-72 |
| Reelmaster 2300D 2600D | <i>Cutting Units</i> | 13 | Reel | All | BALL BEARING ASSEMBLY - SELF ALIGNING | 88-7880 |
| | | 2 | Reel Adjust | All | THRUST BEARING CAGE ASSEMBLY | 257-6 |
| | | 16 | Front & Rear Rollers | All | ROLLER BEARING ASSEMBLY - TAPERED CONE | 254-78 |
| | <i>Traction Unit</i> | 17 | Front & Rear Rollers | All | BEARING RACE - TAPERED CUP | 254-79 |
| | | 8 | Neutral Centering Device | All | BALL BEARING ASSEMBLY - SEALED | 251-259 |
| Reelmaster 3100D | <i>Cutting Units</i> | 11 | 2WD Rear Wheel | All | BALL BEARING ASSEMBLY - FLANGED | 251-321 |
| | | 13 | Reel | All | BALL BEARING ASSEMBLY - SELF ALIGNING | 100-4926 |
| | | 17 | Front & Rear Rollers | All | BEARING RACE - TAPERED CUP | 254-79 |
| | | 16 | Front & Rear Rollers | All | ROLLER BEARING ASSEMBLY - TAPERED CONE | 254-78 |
| | <i>Traction Unit</i> | 8 | 27" Verticut - Roller | All | BALL BEARING ASSEMBLY - SEALED | 251-347 |
| | | 8 | Neutral Centering Device | All | BALL BEARING ASSEMBLY - SEALED | 251-259 |
| Reelmaster 223D 5100D 5300D | <i>Cutting Unit</i> | 8 | Traction Pedal | All | BALL BEARING ASSEMBLY - SEALED | 251-259 |
| | | 16 | Reel | All | ROLLER BEARING ASSEMBLY - TAPERED CONE | 254-94 |
| | | 17 | Reel | All | BEARING RACE - TAPERED CUP | 254-72 |
| | | 18 | Front Roller | All | BEARING & SHAFT ASSEMBLY | 75-1290 |
| | | 19 | Rear Roller | 1990-91 | BEARING & SHAFT ASSEMBLY | 52-3180 |
| | | 7 | Rear Roller | All | BALL BEARING ASSEMBLY - OUTER SEAL ONLY | 85-9970 |
| | | 13 | Rear Roller Brush Shaft | All | BALL BEARING - SELF ALIGNING W/COLLAR | 98-5208 |
| | | 8 | Rear Roller Brush Drive Shaft | All | BALL BEARING ASSEMBLY - SEALED | 251-336 |
| | | 8 | Roller Brush Drive Belt Idler | All | BALL BEARING ASSEMBLY - SEALED | 251-259 |
| | | 18 | Dethatcher - Rollers | All | BEARING & SHAFT ASSEMBLY | 75-1290 |
| | <i>Traction Unit</i> | 8 | Compensating Carrier Frame | All | BALL BEARING ASSEMBLY - SEALED | 251-259 |
| | | 8 | Neutral Centering Device | All | BALL BEARING ASSEMBLY - SEALED | 251-259 |
| | | 7 | Cooling Fan Shaft | All | BALL BEARING ASSEMBLY - OUTER SEAL ONLY | 251-318 |
| | | 12 | Front Axle - Outer Bearing | All | ROLLER BEARING ASSEMBLY | 21-8180 |
| | | 16 | 2WD Rear Wheel - In/Out | All | ROLLER BEARING ASSEMBLY - TAPERED CONE | 254-94 |
| | | 17 | 2WD Rear Wheel - In/Out | All | BEARING RACE - TAPERED CUP | 254-72 |
| | | 8 | 4WD Rear Axle Knuckle | All | BALL BEARING ASSEMBLY - SEALED | 251-347 |

Reelmaster® - continued

| Equipment | Application | Fig. No. | Component | Year | Description | Part No. | | |
|--|---------------------------------------|-------------------------------|-------------------------------|--------------------------------|---|---|---|----------|
| Reelmaster 5200D 5400D | <i>Cutting Unit</i> | 16 | Reel | All | ROLLER BEARING ASSEMBLY - TAPERED CONE | 254-94 | | |
| | | 17 | Reel | All | BEARING RACE - TAPERED CUP | 254-72 | | |
| | | 18 | Front & Rear Roller | 1998-01 | BEARING & SHAFT ASSEMBLY | 75-1290 | | |
| | | 7 | Front & Rear Roller | 2001-06 | BALL BEARING ASSEMBLY - OUTER SEAL ONLY | 109966 | | |
| | | 13 | Roller Brush Shaft | All | BALL BEARING - SELF ALIGNING W/COLLAR | 132-6979 | | |
| | | 4 | Roller Brush Drive Shaft | All | BALL BEARING ASSEMBLY - SINGLE ROW | 98-5215 | | |
| | | 8 | Roller Brush Drive Belt Idler | All | BALL BEARING ASSEMBLY - SEALED | 251-259 | | |
| | | 18 | Dethatcher - Rollers | All | BEARING & SHAFT ASSEMBLY | 75-1290 | | |
| | <i>Traction Unit</i> | 8 | Compensating Carrier Frame | All | BALL BEARING ASSEMBLY - SEALED | 251-259 | | |
| | | 8 | Neutral Centering Device | All | BALL BEARING ASSEMBLY - SEALED | 251-259 | | |
| | | 7 | Cooling Fan Shaft | All | BALL BEARING ASSEMBLY - OUTER SEAL ONLY | 251-318 | | |
| | | 12 | Front Axle - Outer Bearing | All | ROLLER BEARING ASSEMBLY | 21-8180 | | |
| | | 16 | 2WD Rear Wheel - In/Out | All | ROLLER BEARING ASSEMBLY - TAPERED CONE | 254-94 | | |
| | | 17 | 2WD Rear Wheel - In/Out | All | BEARING RACE - TAPERED CUP | 254-72 | | |
| 8 | | 4WD Rear Axle Knuckle | 1998-99 | BALL BEARING ASSEMBLY - SEALED | 251-347 | | | |
| Reelmaster 5010-H 5210 5410 5510 5610 | | <i>Cutting Unit</i> | 14 | Reel | All | BALL BEARING ASSEMBLY - DUAL ROW | 93-2489 | |
| | 7 | | Front & Rear Roller | 2006-07 | BALL BEARING ASSEMBLY - OUTER SEAL ONLY | 109966 | | |
| | 7 | | Front & Rear Roller | 2008 & Up | BALL BEARING ASSEMBLY - OUTER SEAL ONLY | 112-5290 | | |
| | 9 | | Roller Brush Drive Shaft | All | BALL BEARING ASSEMBLY - OUTER SEAL ONLY | 93-2559 | | |
| | 14 | | Roller Brush Shaft | All | BALL BEARING ASSEMBLY - SINGLE ROW | 95-0707 | | |
| | 9 | | Groomer Drive Shaft | All | BALL BEARING ASSEMBLY - OUTER SEAL ONLY | 93-2559 | | |
| | 14 | | Groomer Reel | All | BALL BEARING ASSEMBLY - SINGLE ROW | 95-0707 | | |
| | <i>Traction Unit</i> | | 16 | 2WD Rear Wheel - In/Out | All | ROLLER BEARING ASSEMBLY - TAPERED CONE | 254-94 | |
| | | 17 | 2WD Rear Wheel - In/Out | All | BEARING RACE - TAPERED CUP | 254-72 | | |
| | | * | Pedal Assembly | All | BEARING - MOUNT, FLANGE | 256-236 | | |
| | | Reelmaster 5500D | <i>Cutting Units</i> | 14 | Reel | All | BALL BEARING ASSEMBLY - DUAL ROW | 93-2489 |
| | | | | 7 | Roller | All | BALL BEARING ASSEMBLY - OUTER SEAL ONLY | 109966 |
| | | | | 13 | Roller Brush Shaft | All | BALL BEARING - SELF ALIGNING W/COLLAR | 132-6979 |
| | 4 | | | Roller Brush Drive Shaft | All | BALL BEARING ASSEMBLY - SINGLE ROW | 98-5215 | |
| 8 | Roller Brush Drive Belt Idler | | | All | BALL BEARING ASSEMBLY - SEALED | 251-259 | | |
| 14 | Groomer Reel | | | All | BALL BEARING ASSEMBLY - SINGLE ROW | 95-0707 | | |
| 8 | Dethatcher - Roller | | | All | BALL BEARING ASSEMBLY - SEALED | 251-347 | | |
| <i>Traction Unit</i> | 8 | | | Neutral Centering Device | All | BALL BEARING ASSEMBLY - SEALED | 251-259 | |
| | 7 | | Cooling Fan Shaft | All | BALL BEARING ASSEMBLY - OUTER SEAL ONLY | 251-318 | | |
| | 12 | | Front Axle - Outer Bearing | All | ROLLER BEARING ASSEMBLY | 21-8180 | | |
| | 16 | | 2WD Rear Wheel - In/Out | All | ROLLER BEARING ASSEMBLY - TAPERED CONE | 254-94 | | |
| | 17 | | 2WD Rear Wheel - In/Out | All | BEARING RACE - TAPERED CUP | 254-72 | | |
| | Reelmaster 6500D 6700D | | <i>SPA Cutting Units</i> | 14 | Reel | All | BALL BEARING ASSEMBLY - DUAL ROW | 93-2489 |
| 7 | | | | Roller | All | BALL BEARING ASSEMBLY - OUTER SEAL ONLY | 109966 | |
| 13 | | Roller Brush Shaft | | All | BALL BEARING - SELF ALIGNING W/COLLAR | 132-6979 | | |
| 4 | | Roller Brush Drive Shaft | | All | BALL BEARING ASSEMBLY - SINGLE ROW | 98-5215 | | |
| 8 | | Roller Brush Drive Belt Idler | | All | BALL BEARING ASSEMBLY - SEALED | 251-259 | | |
| 14 | | Groomer Reel | | All | BALL BEARING ASSEMBLY - SINGLE ROW | 95-0707 | | |
| 8 | | Dethatcher - Roller | | All | BALL BEARING ASSEMBLY - SEALED | 251-347 | | |
| * | | Rear Roller Brush | | All | BEARING - REAR ROLLER BRUSH | 106-4237 | | |
| <i>DPA Cutting Units</i> | | 14 | | Reel | All | BALL BEARING ASSEMBLY - DUAL ROW | 93-2489 | |
| | | 7 | | Front & Rear Roller | 2007 | BALL BEARING ASSEMBLY - OUTER SEAL ONLY | 109966 | |
| | | 7 | Front & Rear Roller | 2008 & Up | BALL BEARING ASSEMBLY - OUTER SEAL ONLY | 112-5290 | | |
| | | 9 | Roller Brush Drive Shaft | All | BALL BEARING ASSEMBLY - OUTER SEAL ONLY | 93-2559 | | |
| | | 14 | Roller Brush Shaft | All | BALL BEARING ASSEMBLY - SINGLE ROW | 95-0707 | | |
| | | 9 | Groomer Drive Shaft | All | BALL BEARING ASSEMBLY - OUTER SEAL ONLY | 93-2559 | | |
| | | 14 | Groomer Reel | All | BALL BEARING ASSEMBLY - SINGLE ROW | 95-0707 | | |
| | | * | Rear Roller Brush | All | BEARING - REAR ROLLER BRUSH | 106-4237 | | |
| <i>Traction Unit</i> | | 16 | 2WD Rear Wheel - Inner | All | ROLLER BEARING ASSEMBLY - TAPERED CONE | 254-106 | | |
| | | 17 | 2WD Rear Wheel - Inner | All | BEARING RACE - TAPERED CUP | 254-107 | | |
| | | 16 | 2WD Rear Wheel - Outer | All | ROLLER BEARING ASSEMBLY - TAPERED CONE | 254-92 | | |
| | | 17 | 2WD Rear Wheel - Outer | All | BEARING RACE - TAPERED CUP | 254-72 | | |

QUICK REFERENCE GUIDE

BEARINGS

Reelmaster[®] - continued

| Equipment | Application | Fig. No. | Component | Year | Description | Part No. |
|---|----------------------------|------------------------|----------------------------|--|--|--|
| Reelmaster 450D | <i>Cutting Unit</i> | 15 | Reel | All | BALL BEARING ASSEMBLY - DUAL ROW EXT. RACE | 59-6140 |
| | | 2 | Reel Adjust | 1986-89 | THRUST BEARING CAGE ASSEMBLY | 257-6 |
| | | 16 | Front & Rear Rollers | All | ROLLER BEARING ASSEMBLY - TAPERED CONE | 254-78 |
| | | 17 | Front & Rear Rollers | All | BEARING RACE - TAPERED CUP | 254-79 |
| | | 15 | Dethatcher - Reel | All | BALL BEARING ASSEMBLY - DUAL ROW EXT. RACE | 59-6140 |
| | <i>Traction Unit</i> | 16 | 2WD Rear Wheel - Inner | 1991 & Up | ROLLER BEARING ASSEMBLY - TAPERED CONE | 254-106 |
| | | 17 | 2WD Rear Wheel - Inner | 1991 & Up | BEARING RACE - TAPERED CUP | 254-107 |
| | | 16 | 2WD Rear Wheel - Outer | 1991 & Up | ROLLER BEARING ASSEMBLY - TAPERED CONE | 254-92 |
| | | 17 | 2WD Rear Wheel - Outer | 1991 & Up | BEARING RACE - TAPERED CUP | 254-72 |
| | Reelmaster 335D | <i>Cutting Unit</i> | 15 | Reel | All | BALL BEARING ASSEMBLY - DUAL ROW EXT. RACE |
| 16 | | | Front & Rear Rollers | All | ROLLER BEARING ASSEMBLY - TAPERED CONE | 254-78 |
| 17 | | | Front & Rear Rollers | All | BEARING RACE - TAPERED CUP | 254-79 |
| 15 | | | Dethatcher - Reel | All | BALL BEARING ASSEMBLY - DUAL ROW EXT. RACE | 59-6140 |
| <i>Traction Unit</i> | | 8 | Neutral Centering Device | All | BALL BEARING ASSEMBLY - SEALED | 251-259 |
| | | 16 | 2WD Rear Wheel - In/Out | All | ROLLER BEARING ASSEMBLY - TAPERED CONE | 254-94 |
| | | 17 | 2WD Rear Wheel - In/Out | All | BEARING RACE - TAPERED CUP | 254-72 |
| Reelmaster 3500D | <i>Cutting Unit</i> | 15 | Reel | All | BALL BEARING ASSEMBLY - DUAL ROW EXT. RACE | 59-6140 |
| | | 16 | Front & Rear Rollers | All | ROLLER BEARING ASSEMBLY - TAPERED CONE | 254-78 |
| | | 17 | Front & Rear Rollers | All | BEARING RACE - TAPERED CUP | 254-79 |
| | | 15 | Dethatcher - Reel | All | BALL BEARING ASSEMBLY - DUAL ROW EXT. RACE | 59-6140 |
| | <i>Traction Unit</i> | 8 | Neutral Centering Device | All | BALL BEARING ASSEMBLY - SEALED | 251-259 |
| | | 16 | 2WD Rear Wheel - Inner | All | ROLLER BEARING ASSEMBLY - TAPERED CONE | 254-106 |
| | | 17 | 2WD Rear Wheel - Inner | All | BEARING RACE - TAPERED CUP | 254-107 |
| | | 16 | 2WD Rear Wheel - Outer | All | ROLLER BEARING ASSEMBLY - TAPERED CONE | 254-92 |
| | | 17 | 2WD Rear Wheel - Outer | All | BEARING RACE - TAPERED CUP | 254-72 |
| Reelmaster 3550D | <i>Cutting Unit</i> | 8 | Front & Rear Roller | 2013 | BEARING - SEALED | 115-3296 |
| | | 7 | Front & Rear Roller | 2013 | BEARING - STAINLESS STEEL | 112-5290 |
| | <i>Traction Unit</i> | 8 | Neutral Centering Device | All | BALL BEARING ASSEMBLY - SEALED | 251-259 |
| | | 17 | Hydraulic Pump ASM | 2013 | BEARING - CUP | 104-4046 |
| | | 16 | Hydraulic Pump ASM | 2013 | BEARING - CONE | 98-4639 |
| 2 | Hydraulic Pump ASM | 2013 | BEARING - THRUST | 252-66 | | |
| Reelmaster 4000D | <i>Cutting Unit</i> | 15 | Reel | All | BALL BEARING ASSEMBLY - DUAL ROW EXT. RACE | 59-6140 |
| | | 16 | Front & Rear Rollers | All | ROLLER BEARING ASSEMBLY - TAPERED CONE | 254-78 |
| Reelmaster 4500D | <i>Cutting Unit</i> | 17 | Front & Rear Rollers | All | BEARING RACE - TAPERED CUP | 254-79 |
| | | 15 | Dethatcher - Reel | All | BALL BEARING ASSEMBLY - DUAL ROW EXT. RACE | 59-6140 |
| | | <i>Traction Unit</i> | 16 | 2WD Rear Wheel - Inner | All | ROLLER BEARING ASSEMBLY - TAPERED CONE |
| | 17 | | 2WD Rear Wheel - Inner | All | BEARING RACE - TAPERED CUP | 254-107 |
| | 16 | 2WD Rear Wheel - Outer | All | ROLLER BEARING ASSEMBLY - TAPERED CONE | 254-92 | |
| 17 | 2WD Rear Wheel - Outer | All | BEARING RACE - TAPERED CUP | 254-72 | | |
| Reelmaster 7000D | <i>Cutting Unit</i> | 14 | Reel | All | BALL BEARING ASSEMBLY - DUAL ROW | 93-2489 |
| | | 7 | Rear Roller | All | BALL BEARING ASSEMBLY - OUTER SEAL ONLY | 112-5290 |
| Reelmaster Transport Frame | <i>Traction Unit</i> | 16 | Wheel | All | ROLLER BEARING ASSEMBLY - TAPERED CONE | 254-62 |
| | | 17 | Wheel | All | BEARING RACE - TAPERED CUP | 115-9471 |
| | <i>Cutting Unit</i> | 16 | Reel | All | ROLLER BEARING ASSEMBLY - TAPERED CONE | 254-94 |
| | | 17 | Reel | All | BEARING RACE - TAPERED CUP | 254-72 |
| | | 2 | Reel Adjustment Knob | All | THRUST BEARING CAGE ASSEMBLY | 257-6 |
| | | 16 | Drive Wheel Gear Hub | All | ROLLER BEARING ASSEMBLY - TAPERED CONE | 254-78 |
| | | 17 | Drive Wheel Gear Hub | All | BEARING RACE - TAPERED CUP | 254-79 |
| | | 3 | Idler Pinion Gear | All | NEEDLE BEARING ASSEMBLY | 252-6 |
| | | 16 | Rear Roller | All | ROLLER BEARING ASSEMBLY - TAPERED CONE | 254-78 |
| 17 | Rear Roller | All | BEARING RACE - TAPERED CUP | 254-79 | | |

Groundsmaster

| Equipment | Application | Fig. No. | Component | Year | DESCRIPTION | Part No. |
|------------------------------------|----------------------|----------|-----------------------------|---------|---|----------|
| Groundsmaster 52 62 | <i>Traction Unit</i> | 8 | Neutral Centering Device | All | BALL BEARING ASSEMBLY - SEALED | 251-259 |
| | | 3 | Steering Pivot Arm - Front | All | NEEDLE BEARING ASSEMBLY | 252-6 |
| | | 12 | Front Axle - Outer Bearing | All | ROLLER BEARING ASSEMBLY | 21-8180 |
| Groundsmaster 72 | <i>Deck</i> | 7 | Blade Spindle | 1973-77 | BALL BEARING ASSEMBLY - OUTER SEAL ONLY | 251-257 |
| | <i>Traction Unit</i> | 8 | Neutral Centering Device | All | BALL BEARING ASSEMBLY - SEALED | 251-259 |
| | | 13 | Engine Output Shaft Support | All | BALL BEARING - SELF ALIGNING W/COLLAR | 251-252 |
| | | 13 | PTO Shaft Support | All | BALL BEARING - SELF ALIGNING W/COLLAR | 251-252 |
| | | 12 | Front Axle - Outer Bearing | All | ROLLER BEARING ASSEMBLY | 21-8180 |

Groundsmaster® - continued

| Equipment | Application | Fig. No. | Component | Year | Description | Part No. | |
|-------------------------------------|-------------------------------------|----------------------------|-----------------------------|------------------------------------|--|--|---------|
| Groundsmaster 200 Series | <i>52"/62" RD/SD</i> | 6 | Front Caster Wheel | 1989 & Up | ROLLER BEARING CAGE ASSEMBLY | 62-5570 | |
| | | 6 | Front Caster Wheel | 1989 & Up | BEARING - FLANGE | 62-5580 | |
| | <i>72" SD Deck</i> | 6 | Front Caster Wheel | 1989 & Up | ROLLER BEARING CAGE ASSEMBLY | 62-5570 | |
| | | 6 | Front Caster Wheel | 1989 & Up | BEARING - FLANGE | 62-5580 | |
| | | 6 | Rear Caster Wheel | 1998 & Up | ROLLER BEARING CAGE ASSEMBLY | 63-8580 | |
| | | 6 | Rear Caster Wheel | 1998 & Up | BEARING - FLANGE | 62-5580 | |
| | <i>62" Guardian</i> | 6 | Front & Rear Caster Wheel | All | ROLLER BEARING CAGE ASSEMBLY | 83-4740 | |
| | | 6 | Front & Rear Caster Wheel | All | BEARING - FLANGE | 62-5580 | |
| | <i>Debris Blower</i> | 6 | Caster Wheel | All | ROLLER BEARING CAGE ASSEMBLY | 62-5570 | |
| | | 6 | Caster Wheel | All | BEARING - FLANGE | 62-5580 | |
| | <i>Traction Unit</i> | 8 | Neutral Centering Device | All | BALL BEARING ASSEMBLY - SEALED | 251-259 | |
| | | 12 | Front Axle - Outer Bearing | All | ROLLER BEARING ASSEMBLY | 21-8180 | |
| | | 16 | 2WD Rear Wheel - In/Out | All | ROLLER BEARING ASSEMBLY - TAPERED CONE | 254-94 | |
| | | 17 | 2WD Rear Wheel - In/Out | All | BEARING RACE - TAPERED CUP | 254-72 | |
| | | 8 | 4WD Rear Axle Knuckle | 1993-99 | BALL BEARING ASSEMBLY - SEALED | 251-347 | |
| | Groundsmaster 300 Series | <i>72" RD/SD</i> | 21 | Blade Spindle | All | BEARING & SPACER SET | 49-8320 |
| | | | 6 | Front Caster Wheel | 1988-91 | ROLLER BEARING CAGE ASSEMBLY | 62-5570 |
| 6 | | Front Caster Wheel | 1992 & Up | ROLLER BEARING CAGE ASSEMBLY | 83-4740 | | |
| 6 | | Front Caster Wheel | 1988 & Up | BEARING - FLANGE | 62-5580 | | |
| 6 | | Rear Caster Wheel | 1988 & Up | ROLLER BEARING CAGE ASSEMBLY | 63-8580 | | |
| 6 | | Rear Caster Wheel | 1988 & Up | BEARING - FLANGE | 62-5580 | | |
| 10 | | Foam Filled Caster Wheel | All | BALL BEARING ASSEMBLY - SEALED | 120-5378 | | |
| 11 | | 10" Segmented Caster Wheel | All | BALL BEARING ASSEMBLY - FLANGED | 251-321 | | |
| Groundsmaster 300 Series | <i>72" Guardian</i> | 21 | Blade Spindle | All | BEARING & SPACER SET | 71-2530 | |
| | | 6 | Front & Rear Caster Wheel | All | ROLLER BEARING CAGE ASSEMBLY | 83-4740 | |
| | | 6 | Front & Rear Caster Wheel | All | BEARING - FLANGE | 62-5580 | |
| | | 10 | Foam Filler Caster Wheel | All | BALL BEARING ASSEMBLY - SEALED | 120-5378 | |
| | 11 | 10" Segmented Caster Wheel | All | BALL BEARING ASSEMBLY - FLANGED | 251-321 | | |
| | <i>72" Flex</i> | 21 | Blade Spindle | All | BEARING & SPACER SET | 71-2530 | |
| | | 6 | Caster Wheel | All | ROLLER BEARING CAGE ASSEMBLY | 62-5570 | |
| | | 6 | Caster Wheel | All | BEARING - FLANGE | 62-5580 | |
| | | 10 | Foam Filler Caster Wheel | All | BALL BEARING ASSEMBLY - SEALED | 120-5378 | |
| | | 11 | 10" Segmented Caster Wheel | All | BALL BEARING ASSEMBLY - FLANGED | 251-321 | |
| | <i>88" TriFlex</i> | 6 | Front Caster Wheel | 1988-90 | ROLLER BEARING CAGE ASSEMBLY | 62-5570 | |
| 6 | | Front Caster Wheel | 1991-94 | ROLLER BEARING CAGE ASSEMBLY | 83-4740 | | |
| 6 | | Front Caster Wheel | All | BEARING - FLANGE | 62-5580 | | |
| 6 | | Rear Caster Wheel | All | ROLLER BEARING CAGE ASSEMBLY | 63-8580 | | |
| 6 | | Rear Caster Wheel | All | BEARING - FLANGE | 62-5580 | | |
| 10 | | Foam Filler Caster Wheel | All | BALL BEARING ASSEMBLY - SEALED | 120-5378 | | |
| 11 | | 10" Segmented Caster Wheel | All | BALL BEARING ASSEMBLY - FLANGED | 251-321 | | |
| <i>Debris Blower</i> | | 6 | Caster Wheel | All | ROLLER BEARING CAGE ASSEMBLY | 83-4740 | |
| | 6 | Caster Wheel | All | BEARING - FLANGE | 62-5580 | | |
| | <i>Traction Unit</i> | 13 | Engine Output Shaft Support | All | BALL BEARING - SELF ALIGNING W/COLLAR | 251-252 | |
| | | 13 | PTO Shaft Support | All | BALL BEARING - SELF ALIGNING W/COLLAR | 251-252 | |
| | | 8 | Neutral Centering Device | All | BALL BEARING ASSEMBLY - SEALED | 251-259 | |
| | | 12 | Front Axle - Outer Bearing | All | ROLLER BEARING ASSEMBLY | 21-8180 | |
| | | 16 | 2WD Rear Wheel - In/Out | All | ROLLER BEARING ASSEMBLY - TAPERED CONE | 254-94 | |
| | | 17 | 2WD Rear Wheel - In/Out | All | BEARING RACE - TAPERED CUP | 254-72 | |
| | | 8 | 4WD Rear Axle Knuckle | 1991-98 | BALL BEARING ASSEMBLY - SEALED | 251-347 | |
| | Groundsmaster 360 | <i>Traction Unit</i> | 17 | 2WD Wheel Motor & Spindle Assembly | All | BEARING RACE - TAPERED CUP | 254-72 |
| | | | 16 | 2WD Wheel Motor & Spindle Assembly | All | ROLLER BEARING ASSEMBLY - TAPERED CONE | 254-92 |
| Groundsmaster 455D | <i>126" Quadfloat</i> | 21 | Blade Spindle | All | BEARING & SPACER SET | 71-2530 | |
| | | 10 | Caster Wheels | 1996-03 | BALL BEARING ASSEMBLY - SEALED | 120-5378 | |
| | | 11 | Segmented Caster Wheels | 1992-00 | BALL BEARING ASSEMBLY - FLANGED | 251-321 | |
| | <i>Traction Unit</i> | 8 | Neutral Centering Device | All | BALL BEARING ASSEMBLY - SEALED | 251-259 | |
| | | 16 | 2WD Rear Wheel - Inner | 1992-93 | ROLLER BEARING ASSEMBLY - TAPERED CONE | 254-92 | |
| | | 17 | 2WD Rear Wheel - Inner | 1992-93 | BEARING RACE - TAPERED CUP | 254-72 | |
| | | 16 | 2WD Rear Wheel - Inner | 1994 & Up | ROLLER BEARING ASSEMBLY - TAPERED CONE | 254-106 | |
| | | 17 | 2WD Rear Wheel - Inner | 1994 & Up | BEARING RACE - TAPERED CUP | 254-107 | |
| | | 16 | 2WD Rear Wheel - Outer | All | ROLLER BEARING ASSEMBLY - TAPERED CONE | 254-92 | |
| 17 | 2WD Rear Wheel - Outer | All | BEARING RACE - TAPERED CUP | 254-72 | | | |

*Not illustrated. **Not sold separately. See pages 20-33 for kit contents. Prices subject to change without notice. Please see your Parts Catalog or Master Parts Viewer to ensure the correct part is ordered, as the part you need may not be listed above. toro.com/parts

QUICK REFERENCE GUIDE

BEARINGS

Groundsmaster® - continued

| Equipment | Application | Fig. No. | Component | Year | Description | Part No. | |
|--|--|--|----------------------------|----------------------------|---|--------------------------------|--------------------------------|
| Groundsmaster 580D | <i>Center/Wing Decks</i> | 21 | Blade Spindle | All | BEARING & SPACER SET | 71-2530 | |
| | | 11 | Caster Wheels | 1989-95 | BALL BEARING ASSEMBLY - FLANGED | 251-321 | |
| | | 11 | Caster Wheels | 1995 & Up | BALL BEARING ASSEMBLY - SEALED | 120-5378 | |
| | <i>Traction Unit</i> | 8 | Neutral Centering Device | All | BALL BEARING ASSEMBLY - SEALED | 251-259 | |
| | | 5 | Hydraulic Pump Drive Shaft | 1995 & Up | CROSS & BEARING ASSEMBLY | 92-4187 | |
| | | 16 | 2WD Rear Wheel - Inner | All | ROLLER BEARING ASSEMBLY - TAPERED CONE | 254-106 | |
| | | 17 | 2WD Rear Wheel - Inner | All | BEARING RACE - TAPERED CUP | 254-107 | |
| | | 16 | 2WD Rear Wheel - Outer | All | ROLLER BEARING ASSEMBLY - TAPERED CONE | 254-92 | |
| | | 17 | 2WD Rear Wheel - Outer | All | BEARING RACE - TAPERED CUP | 254-72 | |
| | Groundsmaster 3000 3000D | <i>72" Decks</i> | 21 | Blade Spindle | All | BEARING & SPACER SET | 71-2530 |
| 10 | | | Front Caster Wheel | All | BALL BEARING ASSEMBLY - SEALED | 120-5378 | |
| <i>Debris Blower</i> | | 6 | Caster Wheel | All | ROLLER BEARING CAGE ASSEMBLY | 83-4740 | |
| | | 6 | Caster Wheel | All | BEARING - FLANGE | 62-5580 | |
| <i>Rotary Broom</i> | | 10 | Front Caster Wheel | All | BALL BEARING ASSEMBLY - SEALED | 120-5378 | |
| <i>Traction Unit</i> | | 16 | 2WD Rear Wheel - In/Out | 1996-98 | ROLLER BEARING ASSEMBLY - TAPERED CONE | 254-94 | |
| | | 16 | 2WD Rear Wheel - In/Out | 1999-00 | ROLLER BEARING ASSEMBLY - TAPERED CONE | 254-92 | |
| | | 17 | 2WD Rear Wheel - In/Out | All | BEARING RACE - TAPERED CUP | 254-72 | |
| Groundsmaster 3280D 3320 | | <i>52" SD Deck</i> | 6 | Front Caster Wheel | All | ROLLER BEARING CAGE ASSEMBLY | 62-5570 |
| | | | 6 | Front Caster Wheel | All | BEARING - FLANGE | 62-5580 |
| | <i>60"/62"/72"</i> | 10 | Front Caster Wheel | All | BALL BEARING ASSEMBLY - SEALED | 120-5378 | |
| | | <i>Traction Unit</i> | 8 | Neutral Centering Device | All | BALL BEARING ASSEMBLY - SEALED | 251-259 |
| | 12 | | Front Axle - Outer Bearing | All | ROLLER BEARING ASSEMBLY | 21-8180 | |
| | 16 | | 2WD Rear Wheel - In/Out | All | ROLLER BEARING ASSEMBLY - TAPERED CONE | 254-94 | |
| | 17 | 2WD Rear Wheel - In/Out | All | BEARING RACE - TAPERED CUP | 254-72 | | |
| Groundsmaster 4000D 4100D | <i>132"/124 RD</i> | 10 | Front Caster Wheel | All | BALL BEARING ASSEMBLY - SEALED | 120-5378 | |
| | | * | Impact Arm | 2010 & Up | BEARING - PLASTIC | 105-4552 | |
| | <i>Debris Blower</i> | 10 | Front Caster Wheel | All | BALL BEARING ASSEMBLY - SEALED | 120-5378 | |
| | <i>Rotary Broom</i> | 10 | Front Caster Wheel | All | BALL BEARING ASSEMBLY - SEALED | 120-5378 | |
| | Groundsmaster 3500D 3505D | <i>27" RD Deck</i> | 10 | Front Rollers | All | BALL BEARING ASSEMBLY - SEALED | 120-3366 |
| 8 | | | Rear Roller | 2000-03 | BALL BEARING ASSEMBLY - SEALED | 251-347 | |
| 7 | | | Rear Roller | 2004-06 | BALL BEARING ASSEMBLY - OUTER SEAL ONLY | 109966 | |
| 7 | | | Rear Roller | 2007 & Up | BALL BEARING ASSEMBLY - OUTER SEAL ONLY | 112-5290 | |
| <i>Traction Unit</i> | | 8 | Neutral Centering Device | All | BALL BEARING ASSEMBLY - SEALED | 251-259 | |
| | | 16 | 2WD Rear Wheel - In/Out | All | ROLLER BEARING ASSEMBLY - TAPERED CONE | 254-94 | |
| | | 17 | 2WD Rear Wheel - In/Out | All | BEARING RACE - TAPERED CUP | 254-72 | |
| | | Groundsmaster 4500D 4700D | <i>27" RD Deck</i> | 10 | Front Rollers | All | BALL BEARING ASSEMBLY - SEALED |
| 8 | Rear Roller | | | 2000-03 | BALL BEARING ASSEMBLY - SEALED | 251-347 | |
| 7 | Rear Roller | | | 2004-06 | BALL BEARING ASSEMBLY - OUTER SEAL ONLY | 109966 | |
| 7 | Rear Roller | | | 2007 & Up | BALL BEARING ASSEMBLY - OUTER SEAL ONLY | 112-5290 | |
| Groundsmaster 5900 5910 | <i>Traction Unit</i> | * | Piston Pump Assembly | 2013 & Up | BEARING - ROLLER | 125-5279 | |
| | | * | Center Front Deck | All | BEARING - SPHERICAL | 105-7441 | |
| | | * | Double Driven Spindle | All | BEARING ASSEMBLY | 110-8297 | |
| | | * | High Driven Spindle | All | BEARING ASSEMBLY | 110-8297 | |
| | | * | Driving Spindle | All | BEARING ASSEMBLY | 110-8297 | |
| | | * | Driving Spindle Assembly | 2016 & Up | BEARING SPACER SET | 108-1954 | |
| | | * | 10" Wheel Assembly | 2011 & Up | BEARING - 10" WHEEL | 120-3366 | |
| | | * | LH Deck Connection | 2008 & Up | CROSS & BEARING KIT | 104-4299 | |
| | | * | Traction Pedal | All | BEARING - MOUNT, FLANGE | 256-236 | |
| Groundsmaster 7200 7210 | <i>62"/72" Deck</i> | 16 | Front Caster Wheel Fork | All | ROLLER BEARING ASSEMBLY - TAPERED CONE | 254-106 | |
| | | 17 | Front Caster Wheel Fork | All | BEARING RACE - TAPERED CUP | 254-107 | |

Aerator

| Equipment | Application | Fig. No. | Component | Year | Description | Part No. |
|--------------------------------|----------------|----------|-----------------|------|--------------------------------|----------|
| ProCore 440 | <i>Aerator</i> | 8 | Flywheel Shaft | All | BALL BEARING ASSEMBLY - SEALED | 100-5396 |
| | | 8 | Stomper Arm | All | BALL BEARING ASSEMBLY - SEALED | 100-7599 |
| | | 10 | Bottom Link Arm | All | BALL BEARING ASSEMBLY - SEALED | 100-7621 |
| ProCore 660 880 | <i>Aerator</i> | 8 | Flywheel Shaft | All | BALL BEARING ASSEMBLY - SEALED | 100-5396 |
| | | 8 | Stomper Arm | All | BALL BEARING ASSEMBLY - SEALED | 100-5386 |
| | | 10 | Bottom Link Arm | All | BALL BEARING ASSEMBLY - SEALED | 100-7621 |

Aerator - continued

| Equipment | Application | Fig. No. | Component | Year | Description | Part No. |
|------------------------------------|----------------|----------|--------------------------|------|--|----------|
| ProCore 648 | <i>Aerator</i> | 8 | Neutral Centering Device | All | BALL BEARING ASSEMBLY - SEALED | 251-259 |
| | | 8 | Crank Arm | All | BALL BEARING ASSEMBLY - SEALED | 105-0965 |
| | | 8 | Stomper Arm | All | BALL BEARING ASSEMBLY - SEALED | 106-8871 |
| ProCore 864 1298 | <i>Aerator</i> | 8 | Crank Arm Housing | All | BALL BEARING ASSEMBLY - SEALED | 110-4555 |
| | | 8 | Stomper Arm | All | BALL BEARING ASSEMBLY - SEALED | 110-4556 |
| | | 5 | Drive Shaft (Shielded) | All | CROSS & BEARING ASSEMBLY | 110-4635 |
| | | 5 | Drive Shaft | All | CROSS & BEARING ASSEMBLY | 110-4641 |
| | | 8 | Drive Pulley Support | All | BALL BEARING ASSEMBLY - SEALED | 106-8871 |
| ProCore Processor | <i>Aerator</i> | 16 | Wheel - Inner | All | ROLLER BEARING ASSEMBLY - TAPERED CONE | 254-106 |
| | | 17 | Wheel - Inner | All | BEARING RACE - TAPERED CUP | 254-107 |
| | | 16 | Wheel - Outer | All | ROLLER BEARING ASSEMBLY - TAPERED CONE | 254-92 |
| | | 17 | Wheel - Outer | All | BEARING RACE - TAPERED CUP | 254-72 |
| Hydroject 3000 3010 | <i>Aerator</i> | 8 | Neutral Centering Device | All | BALL BEARING ASSEMBLY - SEALED | 251-259 |
| | | 16 | Rear Wheel - In/Out | All | ROLLER BEARING ASSEMBLY - TAPERED CONE | 254-94 |
| | | 17 | Rear Wheel - In/Out | All | BEARING RACE - TAPERED CUP | 254-72 |
| Hydroject Hitch Kit | <i>Aerator</i> | 11 | Caster Wheel | All | BALL BEARING ASSEMBLY - FLANGED | 251-321 |

Workman®

| Equipment | Application | Fig. No. | Component | Year | DESCRIPTION | Part No. |
|--|--------------------|----------|----------------------------|-----------|--|----------|
| Workman 1110 2110 | <i>Vehicle</i> | 8 | Steering Gearbox | All | BALL BEARING ASSEMBLY - SEALED | 251-82 |
| | | 8 | Steering Gearbox | All | BALL BEARING ASSEMBLY - SEALED | 38-7820 |
| | | 8 | Shift Lever Detent | All | BALL BEARING ASSEMBLY - SEALED | 251-259 |
| | | 16 | 2WD Front Wheel - Inner | All | ROLLER BEARING ASSEMBLY - TAPERED CONE | 254-106 |
| | | 17 | 2WD Front Wheel - Inner | All | BEARING RACE - TAPERED CUP | 254-107 |
| | | 16 | 2WD Front Wheel - Outer | All | ROLLER BEARING ASSEMBLY - TAPERED CONE | 254-94 |
| | | 17 | 2WD Front Wheel - Outer | All | BEARING RACE - TAPERED CUP | 254-72 |
| Workman 1300D | <i>Vehicle</i> | 5 | Rear Axle Shafts | All | CROSS & BEARING ASSEMBLY | 92-4187 |
| | | 19 | Rear Axle Housings | All | BEARING & RETAINER SET | 87-1970 |
| Workman 3100 | <i>Vehicle</i> | 5 | Rear Axle Shafts | All | CROSS & BEARING ASSEMBLY | 92-4187 |
| | | 19 | Rear Axle Housings | All | BEARING & RETAINER SET | 87-1970 |
| | | 16 | 2WD Front Wheel - Inner | All | ROLLER BEARING ASSEMBLY - TAPERED CONE | 254-106 |
| | | 17 | 2WD Front Wheel - Inner | All | BEARING RACE - TAPERED CUP | 254-107 |
| | | 16 | 2WD Front Wheel - Outer | All | ROLLER BEARING ASSEMBLY - TAPERED CONE | 254-94 |
| | | 17 | 2WD Front Wheel - Outer | All | BEARING RACE - TAPERED CUP | 254-72 |
| | | 20 | Clutch Release | 2006 & Up | THRUST BEARING W/BRACKETS | 110-2538 |
| | | 4 | Transaxle Main Shaft | All | BALL BEARING ASSEMBLY - SINGLE ROW | 251-8 |
| 27 | Gearshaft Assembly | All | BEARING - BALL | 251-346 | | |
| Workman Series 3200 3300 3400 | <i>Vehicle</i> | 8 | Hydraulic Pump Drive Shaft | All | BALL BEARING ASSEMBLY - SEALED | 251-82 |
| | | 5 | Rear Axle Shafts | All | CROSS & BEARING ASSEMBLY | 92-4187 |
| | | 19 | Rear Axle Housings | All | BEARING & RETAINER SET | 87-1970 |
| | | 16 | 2WD Front Wheel - Inner | All | ROLLER BEARING ASSEMBLY - TAPERED CONE | 254-106 |
| | | 17 | 2WD Front Wheel - Inner | All | BEARING RACE - TAPERED CUP | 254-107 |
| | | 16 | 2WD Front Wheel - Outer | All | ROLLER BEARING ASSEMBLY - TAPERED CONE | 254-94 |
| | | 17 | 2WD Front Wheel - Outer | All | BEARING RACE - TAPERED CUP | 254-72 |
| | | 20 | Clutch Release | 2006 & Up | THRUST BEARING W/BRACKETS | 110-2538 |
| | | 4 | Transaxle Main Shaft | All | BALL BEARING ASSEMBLY - SINGLE ROW | 251-8 |
| 27 | Gearshaft Assembly | All | BEARING - BALL | 251-346 | | |
| Workman Series 4200 4300 | <i>Vehicle</i> | 8 | Hydraulic Pump Drive Shaft | All | BALL BEARING ASSEMBLY - SEALED | 251-82 |
| | | 5 | Rear Axle Shafts | All | CROSS & BEARING ASSEMBLY | 92-4187 |
| | | 19 | Rear Axle Housings | All | BEARING & RETAINER SET | 87-1970 |
| | | 20 | Clutch Release | 2006 & Up | THRUST BEARING W/BRACKETS | 110-2538 |
| | | 4 | Transaxle Main Shaft | All | BALL BEARING ASSEMBLY - SINGLE ROW | 251-8 |
| 27 | Gearshaft Assembly | All | BEARING - BALL | 251-346 | | |
| Workman MDE | <i>Vehicle</i> | 8 | Steering Gearbox | All | BALL BEARING ASSEMBLY - SEALED | 251-82 |
| | | 8 | Steering Gearbox | All | BALL BEARING ASSEMBLY - SEALED | 38-7820 |
| | | 16 | 2WD Front Wheel - Inner | All | ROLLER BEARING ASSEMBLY - TAPERED CONE | 254-106 |
| | | 17 | 2WD Front Wheel - Inner | All | BEARING RACE - TAPERED CUP | 254-107 |
| | | 16 | 2WD Front Wheel - Outer | All | ROLLER BEARING ASSEMBLY - TAPERED CONE | 254-94 |
| | | 17 | 2WD Front Wheel - Outer | All | BEARING RACE - TAPERED CUP | 254-72 |

QUICK REFERENCE GUIDE

BEARINGS

Workman® - continued

| Equipment | Application | Fig. No. | Component | Year | DESCRIPTION | Part No. |
|--------------------------------------|----------------|----------|--------------------------|------|--|----------|
| Workman MD MDX | <i>Vehicle</i> | 8 | Steering Gearbox | All | BALL BEARING ASSEMBLY - SEALED | 251-82 |
| | | 8 | Steering Gearbox | All | BALL BEARING ASSEMBLY - SEALED | 38-7820 |
| | | 8 | Shift Lever Detent | All | BALL BEARING ASSEMBLY - SEALED | 251-259 |
| | | 16 | 2WD Front Wheel - Inner | All | ROLLER BEARING ASSEMBLY - TAPERED CONE | 254-106 |
| | | 17 | 2WD Front Wheel - Inner | All | BEARING RACE - TAPERED CUP | 254-107 |
| | | 16 | 2WD Front Wheel - Outer | All | ROLLER BEARING ASSEMBLY - TAPERED CONE | 254-94 |
| | | 17 | 2WD Front Wheel - Outer | All | BEARING RACE - TAPERED CUP | 254-72 |
| Workman HD HDX HDX-D HDX Auto | <i>Vehicle</i> | 5 | Rear Axle Shafts | All | CROSS & BEARING ASSEMBLY | 92-4187 |
| | | 20 | Clutch Release | All | THRUST BEARING W/BRACKETS | 110-2538 |
| | | 4 | Transaxle Main Shaft | All | BALL BEARING ASSEMBLY - SINGLE ROW | 251-8 |
| | | 27 | Gearshaft Assembly | All | BEARING - BALL | 251-346 |
| Workman GTX | <i>Vehicle</i> | 16 | Front Frame & Suspension | All | BEARING - CONE, TAPERED | 254-94 |
| | | 17 | Front Frame & Suspension | All | BEARING - CUP, TAPERED | 254-72 |
| | | 8 | Pedal and Control | All | BEARING - BALL | 251-259 |

Multi Pro®

| Equipment | Application | Fig. No. | Component | Year | Description | Part No. |
|---------------------------------|----------------------|----------|--------------------------|------|--|----------|
| Multi Pro 1100 | <i>Traction Unit</i> | 8 | Transmission Input Shaft | All | BALL BEARING ASSEMBLY - SEALED | 251-82 |
| | | 12 | Rear Axle - Inner/Outer | All | ROLLER BEARING ASSEMBLY | 21-8180 |
| | | 16 | Front Wheel - In/Out | All | ROLLER BEARING ASSEMBLY - TAPERED CONE | 254-94 |
| | | 17 | Front Wheel - In/Out | All | BEARING RACE - TAPERED CUP | 254-72 |
| Multi Pro 1200 1250 1750 | <i>Traction Unit</i> | 16 | Gearbox Output Shaft | All | ROLLER BEARING ASSEMBLY - TAPERED CONE | 254-94 |
| | | 17 | Gearbox Output Shaft | All | BEARING RACE - TAPERED CUP | 254-72 |
| | | 19 | Rear Axle Housings | All | BEARING & RETAINER SET | 87-1970 |
| | | 5 | Rear Axle Shafts | All | CROSS & BEARING ASSEMBLY | 92-4187 |
| | | 16 | 2WD Front Wheel - In/Out | All | ROLLER BEARING ASSEMBLY - TAPERED CONE | 254-92 |
| | | 17 | 2WD Front Wheel - In/Out | All | BEARING RACE - TAPERED CUP | 254-72 |
| | | 27 | Gearshaft Assembly | All | BEARING - BALL | 251-346 |
| Multi Pro 5800D | <i>Traction Unit</i> | 8 | Front Wheel | All | BEARING - SPINDLE ASSEMBLY | 93-6587 |
| | | 17 | Front Wheel | All | BEARING - SPINDLE ASSEMBLY CUP | 115-9471 |
| | | 16 | Front Wheel | All | BEARING - SPINDLE ASSEMBLY CONE | 254-62 |

Specialty Turf Equipment

| Equipment | Application | Fig. No. | Component | Year | Description | Part No. |
|-------------------------------|----------------|----------------------|---------------|------|--|----------|
| Rac-0-Vac Sweeper | | 16 | Wheel Hub ASM | 2013 | ROLLER-BEARING, CONE | 254-62 |
| | | 16 | Wheel Hub ASM | 2013 | ROLLER-BEARING, CONE | 254-65 |
| | | 17 | Wheel Hub ASM | 2013 | ROLLER-BEARING, CUP | 254-66 |
| | | 17 | Wheel Hub ASM | 2013 | ROLLER-BEARING, CUP | 115-9471 |
| | | NA | Blower Fan | 2013 | BALL BEARING | 56-6220 |
| | | NA | Rake ASM | 2013 | ROLLER | 56-6230 |
| | | 8 | Clutch ASM | 2013 | BEARING- CLUTCH ASM | 107-1054 |
| | | ProStripe 560 | | 8 | Lower ASM | All |
| 8 | Lower ASM | | | All | ROLLER BEARING | 111-1492 |
| ProCore Core Processor | <i>Aerator</i> | 16 | Wheel - Inner | All | ROLLER BEARING ASSEMBLY - TAPERED CONE | 254-106 |
| | | 17 | Wheel - Inner | All | BEARING RACE - TAPERED CUP | 254-107 |
| | | 16 | Wheel - Outer | All | ROLLER BEARING ASSEMBLY - TAPERED CONE | 254-92 |
| | | 17 | Wheel - Outer | All | BEARING RACE - TAPERED CUP | 254-72 |

Greensmaster® - Riders

| Equipment | Description | Application | Part No. |
|---|-------------------|---|----------|
| Greensmaster 500 | V-BELT | Transmission/Clutch | 95-1811 |
| Greensmaster 800 | BELT | Reel Drive | 65-6200 |
| | BELT | Transport Wheel Drive | 65-6210 |
| | BELT | Drum Drive | 65-9080 |
| | BELT | Groomer Drive | 65-9700 |
| | V-BELT (SET OF 2) | Countershaft Drive | 92-9218 |
| Greensmaster 1000 | BELT | Reel Drive | 65-6200 |
| | BELT | Transport Wheel Drive | 65-6210 |
| | BELT | Drum Drive | 65-9080 |
| | BELT | Groomer Drive | 65-9700 |
| | V-BELT (SET OF 2) | Countershaft Drive (1990-95 - 04050 & 04051) | 65-7270 |
| | V-BELT (SET OF 2) | Countershaft Drive (1995 & Up - 04052) | 92-9218 |
| Greensmaster 1600 2600 | BELT | Reel Drive | 65-6200 |
| | BELT | Transport Wheel Drive | 65-6210 |
| | BELT | Drum Drive | 65-9080 |
| | BELT | Groomer Drive | 65-9700 |
| | V-BELT (SET OF 2) | Countershaft Drive | 92-9218 |
| Greensmaster Flex 18 1800 1820 | BELT | Reel Drive | 99-2022 |
| | BELT | Drum Drive | 117-1353 |
| | BELT | Groomer Drive | 120-2763 |
| | BELT | Reel Drive | 115-6743 |
| | BELT | Drum Drive | 115-6744 |
| Greensmaster Flex 21 2100 2120 | BELT | Reel Drive | 99-2022 |
| | BELT | Drum Drive (2001-2005) | 99-2023 |
| | BELT | Drum Drive (2006 & Up) | 117-1353 |
| | BELT | Groomer Drive | 120-2763 |
| | BELT | Reel Drive | 115-6743 |
| | BELT | Drum Drive | 115-6744 |
| Greensmaster 3000D | V-BELT | Alternator/Water Pump Drive (1989-1996) | 67-4410 |
| Greensmaster Cutting Units | MULTI-ROW V-BELT | Groomer Drive (3050 & 3200 Style Cutting Units) | 95-0728 |
| | BELT | Groomer Drive (3/300/3000 Style Cutting Units) | 65-9700 |
| | BELT | Groomer Drive (DPA Cutting Units) | 120-2763 |
| | V-BELT | Right Hand Roller Brush Assembly | 105-5720 |
| Greensmaster 3300 3320 3400 3420 | V-BELT | Alternator/Engine ASM | 119-4486 |
| | V-BELT | Generator and Engine Frame ASM | 117-4464 |

Reelmaster®

| Equipment | Description | Application | Part No. |
|--|------------------|-------------------------------------|----------|
| Reelmaster 216 | V-BELT | Reel Drive | 61-3380 |
| | BELT | Jackshaft Drive | 61-3390 |
| | MULTI-ROW V-BELT | Pump Drive | 61-3400 |
| Reelmaster 216D | V-BELT | Cooling Fan Drive | 83-9020 |
| | MULTI-ROW V-BELT | Jackshaft Drive | 92-3187 |
| Reelmaster 2000D 2300D 2600D | MULTI-ROW V-BELT | Pump Drive | 93-6840 |
| Reelmaster 3100D | MULTI-ROW V-BELT | Pump Drive | 95-8730 |
| | V-BELT | Alternator Drive | 130-1241 |
| Reelmaster 335D 3500D/3550D 3555D 3575D | BELT | Reel Drive | 47-7160 |
| | BELT | Dethatcher Reel Drive | 47-7160 |
| | BELT | Timing Belt | 74-8830 |
| | BELT | V-Belt Alternator and pulley system | 104-3494 |
| | BELT | 3V-Belt Piston Pump and Gear Asm | 99-3619 |
| Reelmaster 450D | BELT | Reel Drive | 47-7160 |
| | BELT | Dethatcher Reel Drive | 47-7160 |
| | BELT | Fan Belt | 62-6390 |

QUICK REFERENCE GUIDE

BELTS

Reelmaster[®] - continued

| Equipment | Description | Application | Part No. |
|--|-----------------------------------|--|----------|
| Reelmaster 4000D | BELT | Reel Drive | 47-7160 |
| | BELT | Dethatcher Reel Drive | 47-7160 |
| | V-BELT | Alternator Drive | 98-7705 |
| Reelmaster 4500D | BELT | Reel Drive | 47-7160 |
| | BELT | Dethatcher Reel Drive | 47-7160 |
| Reelmaster 223D 5100D 5300D | V-BELT | Alternator/Water Pump Drive | 67-4410 |
| Reelmaster 5200D 5400D | V-BELT | Alternator Drive | 98-9676 |
| | BELT | Rear Roller Brush Drive | 108-6709 |
| Reelmaster 5500D | V-BELT | Cooling Fan Drive | 98-3921 |
| | V-BELT | Alternator Drive | 98-9676 |
| | BELT | Rear Roller Brush Drive | 108-6713 |
| | BELT | Groomer Drive | 108-0617 |
| Reelmaster 5210 5410 | V-BELT | Alternator Drive | 98-9676 |
| | BELT | Rear Roller Brush Drive | 110-1746 |
| | BELT | Groomer Drive | 108-4497 |
| Reelmaster 5510 5610 | V-BELT | Alternator Drive | 98-9676 |
| | BELT | Rear Roller Brush Drive | 110-1747 |
| | BELT | Groomer Drive | 110-1716 |
| Reelmaster 6500D 6700D | MULTI-ROW V-BELT | Alternator Drive - Peugeot | 94-3256 |
| | V-BELT | Alternator Drive - Kubota | 98-9676 |
| | BELT | Rear Roller Brush Drive | 108-6713 |
| | BELT | Timing Belt (1995-2001 serial up to 210999999) | 74-8830 |
| | BELT | Rear Roller Brush Drive (SPA Cutting Units) | 108-6713 |
| | BELT | Groomer Drive (SPA Cutting Units) | 108-0617 |
| | BELT | Rear Roller Brush Drive (DPA Cutting Units) | 110-1747 |
| BELT | Groomer Drive (DPA Cutting Units) | 110-1716 | |
| Reelmaster 7000D | BELT | Alternator/Pulley ASM | 120-5824 |

Groundsmaster[®]

| Equipment | Description | Application | Part No. |
|---|------------------|---|----------|
| Groundsmaster 52 | V-BELT | PTO Drive (2 Req'd.) | 41-9150 |
| Groundsmaster 62 | MULTI-ROW V-BELT | PTO Drive | 44-8990 |
| Groundsmaster 217D | MULTI-ROW V-BELT | PTO Drive | 44-8990 |
| Groundsmaster 220 | MULTI-ROW V-BELT | PTO Drive | 44-8990 |
| Groundsmaster Series Decks 52 62 200 | V-BELT | 52" RD & SD Deck - Spindle Drive | 27-1160 |
| | V-BELT | 62" RD & SD Deck - Spindle Drive | 44-6260 |
| | V-BELT | 62" Guardian - Spindle Drive | 92-5588 |
| | V-BELT | 72" SD Deck - Spindle Drive | 57-0240 |
| Groundsmaster 223D | V-BELT | PTO Drive | 63-6240 |
| | V-BELT | Alternator/Water Pump Drive (1992-1997) | 67-4410 |
| Groundsmaster 224 | V-BELT | PTO Drive | 63-6240 |
| | V-BELT | Alternator/Water Pump Drive | 67-4410 |
| Groundsmaster 225 | V-BELT | PTO Drive | 63-6240 |
| | V-BELT | Alternator/Water Pump Drive (1999-2004) | 99-9156 |
| Groundsmaster 228D | V-BELT | PTO Drive | 63-6240 |
| | V-BELT | Alternator/Water Pump Drive | 104-3494 |
| Groundsmaster 322D 325D | MULTI-ROW V-BELT | PTO Drive | 106-4383 |
| | V-BELT | Alternator Drive | 42-9100 |
| | BELT | Fan Belt | 43-5910 |
| Groundsmaster 327 | MULTI-ROW V-BELT | PTO Drive | 106-4383 |
| Groundsmaster 328D | V-BELT | Alternator Drive | 98-9676 |
| | MULTI-ROW V-BELT | PTO Drive | 106-4383 |
| | BELT | Fan Belt | 105-3693 |

Groundsmaster® - continued

| Equipment | Description | Application | Part No. |
|---------------------------------------|------------------|--|----------|
| Groundsmaster 345 | MULTI-ROW V-BELT | PTO Drive | 106-4383 |
| | V-BELT | Fan Belt | 67-8510 |
| Groundsmaster 300 Series Decks | V-BELT | Alternator Drive (1994-2004) | 92-9785 |
| | V-BELT | 72" RD & SD Deck - Spindle Drive (3 Req'd.) | 21-0890 |
| | HEX-BELT | 72" Guardian Deck - Spindle Drive | 93-8457 |
| | V-BELT | 88" Triflex Center Deck - Spindle Drive | 63-1510 |
| | V-BELT | 88" Triflex Wing Decks - Spindle Drive | 72-3760 |
| | V-BELT | 72" Flex Deck Center Deck - Spindle Drive | 99-9770 |
| Groundsmaster 3000 3000D | V-BELT | 72" Flex Deck Wing Deck - Spindle Drive | 99-9771 |
| | HEX-BELT | 72" SD & RD & Guardian - Spindle Drive | 93-8457 |
| | V-BELT | 84" RD & Guardian - Wing Deck Drive | 93-4839 |
| Groundsmaster 3280D | HEX-BELT | 84" RD & Guardian - Center Deck Drive | 93-4838 |
| | MULTI-ROW V-BELT | PTO Drive | 63-6240 |
| Groundsmaster 3320 | V-BELT | Alternator/Water Pump Drive | 104-3494 |
| | MULTI-ROW V-BELT | PTO Drive | 63-6240 |
| Groundsmaster 360 | V-BELT | Alternator/Water Pump Drive | 99-9156 |
| | V-BELT | Engine Component Assembly | 115-0123 |
| | V-BELT | Air Conditioning Assembly | 117-3399 |
| | V-BELT | 72" Guardian Deck - Right Spindle Drive | 110-9592 |
| | V-BELT | 72" Guardian Deck - Left Spindle Drive | 110-9593 |
| | V-BELT | 72" SD Deck - Left Spindle Drive | 110-9591 |
| Groundsmaster 3500D 3505D | V-BELT | 72" SD Deck - Right Spindle Drive | 110-9590 |
| | V-BELT | Alternator Drive | 98-9676 |
| Groundsmaster 4000D | MULTI-ROW V-BELT | Hydrostat Drive | 99-3619 |
| | V-BELT | Spindle Drive | 55-7660 |
| Groundsmaster 4100D | V-BELT | Alternator Drive | 98-7705 |
| | V-BELT | Alternator Drive | 98-7705 |
| Groundsmaster 4300D | V-BELT | Fan / Alternator | 98-9676 |
| Groundsmaster 4500D / 4700D | V-BELT | Alternator Drive | 98-7705 |
| Groundsmaster 455D | MULTI-ROW V-BELT | Alternator Drive | 94-3256 |
| | V-BELT | Wing Decks - Spindle Drive (1992-00 #20000200) | 86-1960 |
| | V-BELT | Wing Decks - Spindle Drive (2000 #20000201-03) | 100-2588 |
| | V-BELT | 126" Quadfloat Center Deck - Spindle Drive | 86-1970 |
| | BELT | Timing Belt | 74-8830 |
| Groundsmaster 580D | HEX-BELT | Center Deck - Spindle Drive | 93-8457 |
| | V-BELT | Wing Deck - Spindle Drive | 99-2318 |
| Groundsmaster 5900 / 5910 | V-BELT | Center Deck - Spindle Drive | 112-7376 |
| | V-BELT | Center & Wing Deck - Spindle Drive | 112-7377 |
| Groundsmaster 7200 7210 | V-BELT | Alternator Drive | 98-9676 |
| | V-BELT | 62" Guardian Deck - Left Spindle Drive | 110-9595 |
| | V-BELT | 62" Guardian Deck - Right Spindle Drive | 110-9594 |
| | V-BELT | 72" Guardian Deck - Left Spindle Drive | 110-9593 |
| | V-BELT | 72" Guardian Deck - Right Spindle Drive | 110-9592 |
| | V-BELT | 72" SD Deck - Left Spindle Drive | 110-9591 |
| | BELT DRIVE | 60" SD Deck - Spindle Drive | 105-0887 |
| | V-BELT | 60" SD Deck - Spindle Drive | 67-6920 |

Aerator

| Equipment | Description | Application | Part No. |
|-------------------------|------------------|-----------------------------------|----------|
| ProCore 440 | V-BELT | 72" SD Deck - Right Spindle Drive | 110-9590 |
| | MULTI-ROW V-BELT | Stomper Arm Drive | 100-7644 |
| ProCore 660 880 | MULTI-ROW V-BELT | Tine Drive | 100-5392 |
| | MULTI-ROW V-BELT | Stomper Arm Drive | 100-5392 |
| ProCore 648 | MULTI-ROW V-BELT | Primary Drive Belt | 105-0989 |
| | MULTI-ROW BELT | Secondary Drive Belt | 105-0991 |
| ProCore 864 1298 | MULTI-ROW BELT | Secondary Drive Belt | 110-4327 |

QUICK REFERENCE GUIDE

BELTS

Workman

| Equipment | Description | Application | Part No. |
|------------------------------|----------------|---|----------|
| Workman 1100 | MULTI-ROW BELT | Transmission Drive | 99-7143 |
| Workman 1300D | V-BELT | Hydraulic Pump Drive | 93-7140 |
| | V-BELT | Alternator/Water Pump Drive | 98-2947 |
| Workman 2100 2110 | V-BELT | Starter | 99-7133 |
| | V-BELT | CVT Transmission Drive | 99-7144 |
| Workman 3100 3120 | V-BELT | Hydraulic Pump Drive | 87-8370 |
| Workman 3200 4200 | V-BELT | Governor Drive (1993-2001) | 87-3200 |
| | V-BELT | Hydraulic Pump Drive (1993-2001) | 87-3210 |
| | V-BELT | Hydraulic Pump Drive (2002 & Up) | 93-7140 |
| | V-BELT | Alternator/Water Pump Drive (1993-2001) | 92-2041 |
| | V-BELT | Alternator/Water Pump Drive (2002 & Up) | 99-9156 |
| Workman 210 3220 3420 | V-BELT | Governor Drive | 87-3200 |
| | V-BELT | Alternator/Water Pump Drive | 92-2041 |
| Workman 3300D 4300D | V-BELT | Hydraulic Pump Drive (1993-1997) | 87-3210 |
| | V-BELT | Hydraulic Pump Drive (1998 & Up) | 93-7140 |
| | V-BELT | Alternator/Water Pump Drive (1993-1997) | 67-4410 |
| | V-BELT | Alternator/Water Pump Drive (1998-2001) | 98-2947 |
| | V-BELT | Alternator/Water Pump Drive (2002 & Up) | 99-9156 |
| Workman 3310D 3320D | V-BELT | Hydraulic Pump Drive | 93-7140 |
| | V-BELT | Alternator/Water Pump Drive | 98-2947 |
| Workman MD | V-BELT | Starter | 112-3131 |
| | MULTI-ROW BELT | Transmission Drive | 99-7143 |
| Workman MDX | V-BELT | Starter | 112-2911 |
| | MULTI-ROW BELT | Transmission Drive | 112-2912 |
| | V-BELT | Engine, Clutch/Air Cleaner | 136-6296 |
| Workman MDX-D | V-BELT | Starter | 112-2511 |
| Workman HD | V-BELT | Hydraulic Pump Drive | 87-8370 |
| Workman HDX/HDX-D | V-BELT | Alternator/Water Pump Drive (2009-2013) | 117-4922 |
| | V-BELT | Alternator/Water Pump Drive (2013 & Up) | 110-3796 |
| HDX Auto | BELT-CVT | Belt-Gearbox Assembly | 121-9612 |

Multi Pro[®]

| Equipment | Description | Application | Part No. |
|-------------|--------------------|-----------------------------|----------|
| 1100 | BELT | Traction Drive | 41679 |
| 1200 | BELT | Engine and Gearbox Assembly | 117-5896 |
| 1250 | BELT | Engine and Gearbox Assembly | 117-5896 |
| 1750 | BELT - SYNCHRONOUS | Engine Mount | 125-0765 |
| 5700 | V-BELT | Alternator Drive | 98-9676 |
| 5800 | V-BELT | Alternator Drive | 98-9676 |

Specialty Turf Equipment

| Equipment | Description | Application | Part No. |
|-------------------------------|-------------|--|----------|
| ProCore Core Processor | V-BELT | Engine Drive (Set of 3) | 110-2772 |
| | V-BELT | Chopper Drive | 115-8957 |
| | BELT | Brush Drive | 112-4254 |
| | V-BELT | Corner Shaft | 115-2951 |
| Rac-O-Vac Sweeper | V-BELT | Engine & Clutch / Muffler Assembly | 13-2650 |
| | V-BELT | Impeller / Engine, Clutch & Muffler Assembly | 93-0183 |
| | V-BELT | Guard Assembly | 93-4034 |
| ProStripe 560 | BELT | BELT-VARIATOR (520) | 411024 |



TORO PROTECTION PLUS™

EXTENDED PROTECTION PLAN

Run Your Maintenance Budget at Peak Efficiency

The Toro Protection Plus™ (TPP) Extended Protection Plan eliminates the hit your maintenance budget can take when the unforeseen happens. Coverage is available for new equipment, pre-owned equipment, and most Toro attachments and accessories. Just choose the plan that fits your needs.

\$0 deductible for parts & labor on covered repairs | Remaining coverage is transferrable if ownership changes



Learn More: toro.com/tpp

QUICK REFERENCE GUIDE

BLADES

| Blades Reference Chart - Groundsmaster® | | | | | | | | | | | |
|---|----------------------------|----------------|------------------|-------------|-------------|-------------|-------------|------------------|-------------|-------------|--|
| GM Unit | Cutting Deck | Deck Model | Blade Length | Combo | Angle Sail | Medium Flow | High Flow | Atomic® Mulching | Flat | Standard | |
| 3280-D | 52" SD (132 cm) | 30555 | 18" (46 cm) | | | | 44-5480 | 104-1301 | | 27-0990-03 | |
| | Service Pack | | | | | | 108-1477 | | | | |
| | 60" SD (152 cm) | 30366 | 20.5" (52 cm) | | | | 110-4702-03 | 110-4703-03 | | 110-4701 | |
| | 62" RD & Guardian (157 cm) | 30403 | 21.75" (55 cm) | | | | | 107-0214-03 | | 92-5608-03 | |
| | 72" SD (183 cm) | 31336 | 24.5" (62 cm) | | | 110-0621-03 | 110-0622-03 | 110-0624-03 | | | |
| | 72" RD & Guardian (183 cm) | 31335 30303 | 25.18" (64 cm) | | | | | | | 121-5347-03 | |
| 360 | 60" SD (152 cm) | 30456 | 20.5" (52 cm) | | | 110-4701 | 110-4702-03 | 110-4703-03 | | 110-4701 | |
| | 62" Guardian (157 cm) | 30457 | 21.75" (55.2 cm) | | | | | 107-0214-03 | 110-6115-03 | 92-5608-03 | |
| | 72" SD (183 cm) | 30481 | 24.5" (62 cm) | | | 110-0621-03 | 110-0622-03 | 110-0624-03 | | 110-0621-03 | |
| | 72" RD & Guardian (183 cm) | 30353 | 25.18" (64 cm) | 125-9444-03 | | | | | 112-9586-03 | 121-5347-03 | |
| | 100" RD (254 cm) | 31101 | 19" (48.3 cm) | 106-7166-03 | | | | 132-1319 | | | |
| | | | Service Pack | | | | 132-1325 | | | | |
| | | | 25.18" (64 cm) | 125-9444-03 | | | | | | | |
| 3500-D 3500-G 3505-D | 27" RD (69 cm) | 30834 | 27" (68.6 cm) | 108-9026-03 | 105-9810-03 | | 104-5183 | 107-0235-03 | | | |
| Service Pack | | | | | | | 108-1462 | | | | |
| 4000-D 4010-D | Center & Wing Decks | | 21.75" (55.2 cm) | | | 136-4370-03 | | 107-0214-03 | 110-6115-03 | 92-5608-03 | |
| | Service Pack | | | | | 137-5500 | | 108-1450 | 110-6130 | 117-2722 | |

5/1/2018



HIGH SAIL/FLOW

- Provides best quality of cut in most grass conditions.
- Provides better air flow.



ATOMIC BLADE

- Provides the best quality of cut while mulching.
- Preferred blade for mulching applications.



MEDIUM SAIL/FLOW

- Provides better quality of cut.
- Better overall performance in most conditions.



FLAT BLADE

- Low noise level.
- Lower power consumption.
- Reduced discharge velocity of clippings.

| Blades Reference Chart - Groundsmaster® | | | | | | | | | | |
|---|-------------------------------|------------|---------------------|-------------|-------------|-------------|-------------|------------------|-------------|-------------|
| GM Unit | Cutting Deck | Deck Model | Blade Length | Combo | Angle Sail | Medium Flow | High Flow | Atomic® Mulching | Flat | Standard |
| 4100-D 4110-D | Center & Wing Decks | | 19" (48.3 cm) | 106-7166-03 | | | | 107-0215-03 | 110-6116-03 | |
| | Service Pack | | | 130-2660 | | | | 108-1451 | 110-6140 | |
| 4300-D | 22" RD (55.9 cm) | 30845 | 22" (55.9 cm) | 108-7395-03 | 117-0209-03 | | 114-0434-03 | 114-0435-03 | | |
| | Service Pack | | | 119-6957 | | | | | | |
| 4500-D | 27" RD (69 cm) | 30834 | 27" (69 cm) | 108-9026-03 | 105-9810-03 | | 104-5183 | 107-0235-03 | | |
| | Service Pack | | | | | | | 108-1463 | | |
| 4700-D | 27" RD (69 cm) | 30834 | 27" (69 cm) | 108-9026-03 | 105-9810-03 | | 104-5183 | 107-0235-03 | | |
| | Service Pack | | | | | | | 108-1464 | | |
| T3 5900 T3 5910 | 3 RD Decks | | 20" (50.8 cm) | 110-5946-03 | | | | 110-5948-03 | | |
| | Service Pack | | | 115-8896 | | | | 114-0897 | | |
| T4 5900 T4 5910 | 3 RD Decks | | 20" (50.8 cm) | | | | | 132-1390-03 | | 130-9151-03 |
| | Service Pack | | | | | | | 132-1391 | | 132-1392 |
| 7200 7210 | 60" SD (152 cm) | 30456 | 20.5" (52 cm) | | | 110-4701 | 110-4702-03 | 110-4703-03 | | 110-4701 |
| | 62" RD & Guardian (157 cm) | 60457 | 21.75" (55.2 cm) | | | | | 107-0214-03 | 110-6115-03 | 92-5608-03 |
| | 72" SD (183 cm) | 30481 | 24.5" (62 cm) | | | 110-0621-03 | 110-0622-03 | 110-0624-03 | | 110-0621-03 |
| | 72" RD & Guardian (183 cm) | 30353 | 25.18" (64 cm) | 125-9444-03 | | | | | 112-9586-03 | 121-5347-03 |
| | 100" RD (254 cm) | 31101 | 19" (48.3 cm) | 106-7166-03 | | | | 132-1319 | | |
| Service Pack | | | | | | | 132-1325 | | | |
| | 25.18" (64 cm) | | 125-9444-03 | | | | | | | |

5/1/2018



HIGH SAIL/FLOW

- Provides best quality of cut in most grass conditions.
- Provides better air flow.



ATOMIC BLADE

- Provides the best quality of cut while mulching.
- Preferred blade for mulching applications.



MEDIUM SAIL/FLOW

- Provides better quality of cut.
- Better overall performance in most conditions.



FLAT BLADE

- Low noise level.
- Lower power consumption.
- Reduced discharge velocity of clippings.

QUICK REFERENCE GUIDE

BLADES

Groundsmaster®

| Equipment | Description | Application | Part No. |
|---|---------------------------|---|--|
| Groundsmaster Series Decks 52 62 200 | STANDARD BLADE | 52"/132.1 cm SD & RD Deck (18"/45.7 cm Blade) | 27-0990-03 |
| | HIGH SAIL BLADE | 52"/132.1 cm SD & RD Deck (18"/45.7 cm Blade) | 44-5480 |
| | ATOMIC BLADE | 52"/132.1 cm SD & RD Deck (18"/45.7 cm Blade) | 104-1301 |
| | ATOMIC BLADE SERVICE PACK | 52"/132.1 cm SD & RD Deck (6 #104-1301 Blades) | 108-1477 |
| | STANDARD BLADE | 62"/157.5 cm Guardian (21.75"/55.2 cm Blade) | 92-5608-03 |
| | STANDARD BLADE | 62"/157.5 cm SD & RD Deck (21.75"/55.2 cm Blade) | 44-6250-03 |
| | HIGH SAIL BLADE | 62"/157.5 cm SD & RD Deck (21.75"/55.2 cm Blade) | 77-6710-03 |
| | ATOMIC BLADE | 62"/157.5 cm SD & RD Deck (21.75"/55.2 cm Blade) | 104-1303 |
| | ATOMIC BLADE SERVICE PACK | 62"/157.5 cm SD & RD Deck (6 #104-1303 Blades) | 106-0631 |
| | STANDARD BLADE | 72"/182.9 cm SD & RD Deck (24.75"/62.9 cm Blade) | 94-1861-03 |
| Groundsmaster Series Decks 72 300 | HIGH SAIL BLADE | 72"/182.9 cm SD & RD Deck (24.75"/62.9 cm Blade) | 104-4569-03 |
| | ATOMIC BLADE | 72"/182.9 cm SD & RD Deck (24.75"/62.9 cm Blade) | 104-1304 |
| | ATOMIC BLADE SERVICE PACK | 72"/182.9 cm SD & RD Deck (6 #104-1304 Blades) | 108-1478 |
| | STANDARD BLADE | 72"/182.9 cm Guardian (25"/63.5 cm Blade) | 85-6040-03 |
| | STANDARD BLADE | 72"/182.9 cm SD & RD Deck (25"/63.5 cm Blade) | 29-5530-03 |
| | HIGH SAIL BLADE | 72"/182.9 cm SD & RD Deck (25"/63.5 cm Blade) | 23-2410-03 |
| | ATOMIC BLADE | 72"/182.9 cm SD & RD Deck (25"/63.5 cm Blade) | 106-4353-03 |
| | ATOMIC BLADE SERVICE PACK | 72"/182.9 cm SD & RD Deck (6 #106-4354 Blades) | 108-1454 |
| | STANDARD BLADE | 88"/223.5 cm Triflex Deck (19"/48.3 cm Blade) | 63-0080-03 |
| | Groundsmaster 455D | STANDARD BLADE | 126"/320.0 cm Quadfloat Deck (19"/48.3 cm Blade) |
| ATOMIC BLADE | | 126"/320.0 cm Quadfloat Deck (19"/48.3 cm Blade) | 107-0216-03 |
| ATOMIC BLADE SERVICE PACK | | 126"/320.0 cm Quadfloat Deck (7 #107-0216-03 Blades) | 108-1452 |
| Groundsmaster 580D | STANDARD BLADE | Center & Wing Decks (20"/50.8 cm Blade) | 69-6920-03 |
| | ATOMIC BLADE | Center & Wing Decks (20"/50.8 cm Blade) | 107-0217-03 |
| | ATOMIC BLADE SERVICE PACK | Center & Wing Decks (11 #107-0217-03 Blades) | 108-1453 |
| Groundsmaster 3000 | STANDARD BLADE | 72"/182.9 cm Guardian (25"/63.5 cm Blade) | 85-6040-03 |
| | STANDARD BLADE | 72"/182.9 cm RD Deck (25"/63.5 cm Blade) | 93-4982 |
| | STANDARD BLADE | 82"/208.3 cm Contour Deck (22"/55.9 cm Blade) | 93-8409 |
| Groundsmaster 3280D 3320 | STANDARD BLADE | 52"/132.1 cm SD & RD Deck (18"/45.7 cm Blade) | 27-0990-03 |
| | HIGH SAIL BLADE | 52"/132.1 cm SD & RD Deck (18"/45.7 cm Blade) | 44-5480 |
| | ATOMIC BLADE | 52"/132.1 cm SD & RD Deck (18"/45.7 cm Blade) | 104-1301 |
| | ATOMIC BLADE SERVICE PACK | 52"/132.1 cm SD & RD Deck (6 #104-1301 Blades) | 108-1477 |
| | MEDIUM SAIL BLADE | 60"/152.4 cm SD Deck (20.5"/52 cm Blade) | 110-4701 |
| | HIGH SAIL BLADE | 60"/152.4 cm SD Deck (20.5"/52 cm Blade) | 110-4702-03 |
| | ATOMIC BLADE | 60"/152.4 cm SD Deck (20.5"/52 cm Blade) | 110-4703-03 |
| | STANDARD BLADE | 62"/157.5 cm RD & Guardian Deck (25"/55.2 cm Blade) | 92-5608-03 |
| | ATOMIC BLADE | 62"/157.5 cm RD (21.75"/55.2 cm Blade) | 107-0214-03 |
| | STANDARD BLADE | 72"/182.9 cm RD & Guardian Deck (24.5"/62.2 cm Blade) | 121-5347-03 |
| Groundsmaster 3500D 3505D | MEDIUM SAIL BLADE | 72"/182.9 cm SD Deck (24.5"/62.2 cm Blade) | 110-0621-03 |
| | HIGH SAIL BLADE | 72"/182.9 cm SD Deck (24.5"/62.2 cm Blade) | 110-0622-03 |
| | ATOMIC BLADE | 72"/182.9 cm RD & SD Deck (24.5"/62.2 cm Blade) | 110-0624-03 |
| | STANDARD BLADE | 27"/68.6 cm Deck (27"/68.6 cm Blade) (2000-05) | 105-9810-03 |
| | HIGH SAIL BLADE | 27"/68.6 cm Deck (27"/68.6 cm Blade) (2000-05) | 104-5183 |
| | COMBINATION BLADE | 27"/68.6 cm Deck (27"/68.6 cm Blade) (2006 & Up) | 108-9026-03 |
| | ATOMIC BLADE | 27"/68.6 cm Deck (27"/68.6 cm Blade) (2006 & Up) | 107-0235-03 |
| Groundsmaster 360 | ATOMIC BLADE SERVICE PACK | 27"/68.6 cm Deck (6 #107-0235-03 Blades) | 108-1462 |
| | ATOMIC BLADE | 72"/182.9 cm SD & Guardian Deck (24.5"/62.2 cm Blade) | 110-0624-03 |
| | MEDIUM SAIL BLADE | 72"/182.9 cm SD & Guardian Deck (24.5"/62.2 cm Blade) | 110-0622-03 |
| | HIGH SAIL BLADE | 100"/254 cm Deck (19"/48.3 cm Blade) | 132-1319 |

HIGH SAIL

- Provides best quality of cut in most grass conditions.
- Preferred blade for bagging applications.

MEDIUM SAIL

- Provides better quality of cut.
- Better overall performance in most conditions.

Groundsmaster® - continued

| Equipment | Description | Application | Part No. |
|--|------------------------------|--|-------------|
| Groundsmaster 4000D | STANDARD BLADE | 132"/335.3 cm Deck (21.75"/55.2 cm Blade) | 92-5608-03 |
| | STD. BLADE SERVICE PACK | 132"/335.3 cm Deck (7 #92-5608-03 Blades) | 117-2722 |
| | FLAT SAIL BLADE | 132"/335.3 cm Deck (21.75"/55.2 cm Blade) | 110-6115-03 |
| | FLAT SAIL BLADE SERVICE PACK | 132"/335.3 cm Deck (7 #110-6115-03 Blades) | 110-6130 |
| | MEDIUM SAIL BLADE | 32"/335.3 cm Deck (21.75"/55.2 cm Blade) | 136-4370-03 |
| | MEDIUM SAIL SERVICE PACK | 132"/335.3 cm (7 #136-4370-03 Blades) | 137-5500 |
| | ATOMIC BLADE | 132"/335.3 cm Deck (21.75"/55.2 cm Blade) | 107-0214-03 |
| | ATOMIC BLADE SERVICE PACK | 132"/335.3 cm Deck (7 #107-1214-03 Blades) | 108-1450 |
| Groundsmaster 4100D | STANDARD BLADE | 124"/315.0 cm Deck (19"/48.3 cm Blade) | 106-7166-03 |
| | FLAT SAIL BLADE | 124"/315.0 cm Deck (19"/48.3 cm Blade) | 110-6116-03 |
| | FLAT SAIL BLADE SERVICE PACK | 124"/315.0 cm Deck (7 #110-6116-03 Blades) | 110-6140 |
| | ATOMIC BLADE | 124"/315.0 cm Deck (19"/48.3 cm Blade) | 107-0215-03 |
| | ATOMIC BLADE SERVICE PACK | 124"/315.0 cm Deck (7 #107-1215-03 Blades) | 108-1451 |
| Groundsmaster 4300D | COMBINATION BLADE | Contour Plus 22" Deck (22"/55.9 cm Blade) | 108-7395-03 |
| | COMBO BLADE SERVICE PACK | 5 of 108-7395-03 | 119-6957 |
| | HIGH SAIL BLADE | Contour Plus 22" Deck (22"/55.9 cm Blade) | 114-0434-03 |
| | ATOMIC BLADE | Contour Plus 22" Deck (22"/55.9 cm Blade) | 114-0435-03 |
| | ANGLE SAIL BLADE | Contour Plus 22" Deck (22"/55.9 cm Blade) | 117-0209-03 |
| Groundsmaster 4500D | STANDARD BLADE | 27"/68.6 cm Deck (27"/68.6 cm Blade) (2002-05) | 105-9810-03 |
| | HIGH SAIL BLADE | 27"/68.6 cm Deck (27"/68.6 cm Blade) (2002-05) | 104-5183 |
| | COMBINATION BLADE | 27"/68.6 cm Deck (27"/68.6 cm Blade) (2006 & Up) | 108-9026-03 |
| | ATOMIC BLADE | 27"/68.6 cm Deck (27"/68.6 cm Blade) (2006 & Up) | 107-0235-03 |
| | ATOMIC BLADE SERVICE PACK | 27"/68.6 cm Deck (5 #107-0235-03 Blades) | 108-1463 |
| Groundsmaster 4700D | STANDARD BLADE | 27"/68.6 cm Deck (27"/68.6 cm Blade) (2002-05) | 105-9810-03 |
| | HIGH SAIL BLADE | 27"/68.6 cm Deck (27"/68.6 cm Blade) (2002-05) | 104-5183 |
| | COMBINATION BLADE | 27"/68.6 cm Deck (27"/68.6 cm Blade) (2006 & Up) | 108-9026-03 |
| | ATOMIC BLADE | 27"/68.6 cm Deck (27"/68.6 cm Blade) (2006 & Up) | 107-0235-03 |
| | ATOMIC BLADE SERVICE PACK | 27"/68.6 cm Deck (7 #107-0235-03 Blades) | 108-1464 |
| Groundsmaster 5900 5910 | STANDARD BLADE | Center & Wing Decks (20"/50.8 cm Blade) Tier3 | 110-5946-03 |
| | STD. BLADE SERVICE PACK | Center & Wing Decks (11 #110-5946-03 Blades) Tier3 | 115-8896 |
| | ATOMIC BLADE | Center & Wing Decks (20"/50.8 cm Blade) Tier3 | 110-5948-03 |
| | ATOMIC BLADE SERVICE PACK | Center & Wing Decks (11 #110-5948-03 Blades) Tier3 | 114-0897 |
| | STANDARD BLADE | Center & Wing Decks (20"/50.8 cm Blade) Tier4 | 130-9151-03 |
| | ATOMIC BLADE | Center & Wing Decks (20"/50.8 cm Blade) Tier4 | 132-1390-03 |
| | ATOMIC BLADE SERVICE PACK | Center & Wing Decks (11 #132-1390-03) Tier4 | 132-1391 |
| | STANDARD BLADE SERVICE PACK | Center & Wing Decks (11 #130-9151-03 Blades) Tier4 | 132-1392 |
| Groundsmaster 7200 7210 | STANDARD BLADE | 62"/157.5 cm Guardian (21.75"/55.2 cm Blade) | 92-5608-03 |
| | STANDARD BLADE | 72"/182.9 cm Guardian (24.5"/62.2 cm Blade) | 121-5347-03 |
| | MEDIUM SAIL BLADE | 72"/182.9 cm SD Deck (24.5"/62.2 cm Blade) | 110-0621-03 |
| | HIGH SAIL BLADE | 72"/182.9 cm SD Deck (24.5"/62.2 cm Blade) | 110-0622-03 |
| | ATOMIC BLADE | 72"/182.9 cm SD Deck (24.5"/62.2 cm Blade) | 110-0624-03 |
| | FLAT SAIL BLADE | 72"/182.9 cm Guardian (24.5"/62.2 cm Blade) | 112-9586-03 |
| | HIGH SAIL BLADE | 100"/254 cm Deck (19"/48.3 cm Blade) | 132-1319 |

LOW SAIL

- Low noise level.
- Lower power consumption.
- Reduced discharge velocity of clippings.

ATOMIC

- Aggressive teeth design shreds grass leaving fine mulch.

QUICK REFERENCE GUIDE

FILTERS

Greensmaster[®] - Walkers

| Equipment | Description | Part No. |
|---|--|----------------|
| Greensmaster 500/800/1000/1600/2600 | Maintenance Kit (2004 - 2011) | 30065** |
| | Maintenance Kit (2012 & Up) | 30097** |
| | AIR FILTER ELEMENT - MAIN | 93-8636 |
| | AIR FILTER ELEMENT - WRAPPER | 93-8637 |
| | GAS FUEL FILTER SCREEN (GR 1000 1995-MID 1996 & UP ONLY) | 93-8684 |
| | GAS FUEL FILTER SCREEN | 94-6826 |
| Greensmaster Flex 18/1800/1820 Flex 21/2100/2120 | Maintenance Kit (2004 - 2011) | 30065** |
| | Maintenance Kit (2012 & Up) | 30097** |
| | AIR FILTER ELEMENT - MAIN | 93-8636 |
| | AIR FILTER ELEMENT - WRAPPER | 93-8637 |
| | GAS FUEL FILTER SCREEN | 94-6826 |

Greensmaster[®] - Riders

| Equipment | Description | Part No. |
|---|--|-------------------|
| Greensmaster 300 | ENGINE OIL FILTER BREATHER ELEMENT | 235118 |
| | AIR FILTER ELEMENT | 235116 |
| | IN-LINE FUEL FILTER | 108-3831 |
| | HYDRAULIC OIL FILTER ELEMENT | 74-3570 |
| | AIR FILTER ELEMENT | 92-0530 |
| Greensmaster 3000 | ENGINE OIL FILTER BREATHER ELEMENT | 235118 |
| | AIR FILTER ELEMENT - MAIN | 4508302 |
| | AIR FILTER ELEMENT - WRAPPER | 4508301 |
| | IN-LINE FUEL FILTER | 108-3831 |
| | HYDRAULIC OIL FILTER ELEMENT | 74-3570 |
| | AIR FILTER ELEMENT | 92-0530 |
| Greensmaster 3000D | ENGINE OIL FILTER | 108-3841 |
| | AIR FILTER ELEMENT | 108-3833 |
| | FUEL FILTER DIESEL - ELECTRIC FUEL PUMP | 43-2550 |
| | FUEL FILTER ELEMENT - DIESEL | 63-8300 |
| | HYDRAULIC OIL FILTER | 74-3570 |
| Greensmaster 3050 3100 | ENGINE OIL FILTER | 107-7817 |
| | AIR FILTER ELEMENT - MAIN | 92-0527 |
| | IN-LINE FUEL FILTER | 94-2690 |
| | HYDRAULIC OIL FILTER | 74-3570 |
| Greensmaster 3150 | 400 Hour Filter Kit (Up to 2011) | 30064** |
| | 800 Hour Filter Kit (2013 & Up) | 131-6262** |
| | ENGINE OIL FILTER | 107-7817 |
| | AIR FILTER ELEMENT - MAIN | 92-0527 |
| | IN-LINE FUEL FILTER | 94-2690 |
| Greensmaster 3200 | HYDRAULIC OIL FILTER | 107-9531 |
| | ENGINE OIL FILTER | 491056 |
| | AIR FILTER ELEMENT | 108-3811 |
| | IN-LINE FUEL FILTER (1995-96) | 94-2690 |
| | IN-LINE FUEL FILTER (1997-98) | 108-3854 |
| Greensmaster 3200D | HYDRAULIC OIL FILTER ELEMENT | 75-1310 |
| | ENGINE OIL FILTER | 85-4930 |
| | AIR FILTER ELEMENT | 108-3811 |
| | DIESEL FUEL FILTER | 130366040 |
| | HYDRAULIC OIL FILTER ELEMENT | 75-1310 |
| Greensmaster 3250D | 400 Hour Filter Kit (2003-06) | 30018** |
| | 400 Hour Filter Kit (2007-2011) | 30062** |
| | 500 Hour Filter Kit (2012 & Up) | 30086** |
| | ENGINE OIL FILTER (2007-2011) | 108-3842 |
| | ENGINE OIL FILTER | 115-8189 |
| | AIR FILTER ELEMENT | 108-3811 |
| | AIR FILTER SAFETY | 98-2982 |
| | DIESEL FUEL FILTER ELEMENT (2000-06) | 100-3192 |
| | BIO-DIESEL FUEL FILTER ELEMENT (2007-2011) | 112-9188 |
| | FILTER - SPIN ON | 110-9049 |
| | HYDRAULIC OIL FILTER ELEMENT (2000-02) | 75-1310 |
| | HYDRAULIC OIL FILTER ELEMENT (2003 & UP) | 107-9531 |

Greensmaster[®] - Riders - continued

| Equipment | Description | Part No. |
|------------------------------|--------------------------------|----------------|
| Greensmaster 3300 | 400 Hour Filter Kit | 30042** |
| 3320 | IN-LINE FUEL FILTER | 115-7854 |
| | IN-LINE FUEL FILTER | 94-2690 |
| | HYDRAULIC OIL FILTER | 108-5194 |
| Greensmaster 3400 | 400 Hour Filter Kit | 30043** |
| 3420 | ENGINE OIL FILTER | 115-8189 |
| | AIR FILTER | 108-3811 |
| | DIESEL FUEL FILTER (2008 & UP) | 110-9049 |
| | HYDRAULIC OIL FILTER ELEMENT | 108-5194 |

Reelmaster[®]

| Equipment | Description | Part No. |
|---------------------------------------|---|----------------|
| Reelmaster 216 | ENGINE OIL FILTER BREATHER ELEMENT | 235118 |
| | AIR FILTER ELEMENT - MAIN | 4508302 |
| | AIR FILTER ELEMENT - WRAPPER | 4508301 |
| | GAS IN-LINE FUEL FILTER | 108-3854 |
| | HYDRAULIC OIL FILTER | 54-0110 |
| Reelmaster 216D | ENGINE OIL FILTER | 85-4930 |
| | AIR FILTER ELEMENT | 108-3808 |
| | DIESEL FUEL FILTER ELEMENT | 130336040 |
| | HYDRAULIC OIL FILTER | 54-0110 |
| Grounds Pro 2000 | ENGINE OIL FILTER | 107-7817 |
| | AIR FILTER ELEMENT - MAIN | 92-0527 |
| | AIR FILTER ELEMENT - WRAPPER | 2724905 |
| | IN-LINE FUEL FILTER | 108-3854 |
| | HYDRAULIC OIL FILTER ELEMENT | 54-0110 |
| Grounds Pro 2000D | ENGINE OIL FILTER | 108-3842 |
| | AIR FILTER ELEMENT | 108-3811 |
| | DIESEL FUEL FILTER ELEMENT SEPARATOR | 63-8300 |
| | HYDRAULIC OIL FILTER | 54-0110 |
| Reelmaster 2000D | ENGINE OIL FILTER | 108-3842 |
| | AIR FILTER ELEMENT (2005 & UP) | 108-3811 |
| | DIESEL FUEL FILTER ELEMENT SEPARATOR | 63-8300 |
| | HYDRAULIC OIL FILTER ELEMENT | 54-0110 |
| Reelmaster 2300D 2600D | ENGINE OIL FILTER | 85-4930 |
| | AIR FILTER ELEMENT | 108-3811 |
| | DIESEL FUEL FILTER ELEMENT | 130336040 |
| | HYDRAULIC OIL FILTER ELEMENT | 54-0110 |
| Reelmaster 3100 | 400 Hour Filter Kit (1999-2007) | 30016** |
| | 400 Hour Filter Kit (2008 & Up) | 30053** |
| | ENGINE OIL FILTER | 108-3841 |
| | ENGINE OIL FILTER BREATHER ELEMENT | 98-9493 |
| | AIR FILTER ELEMENT (2005 & UP) | 108-3811 |
| | IN-LINE PLASTIC DIESEL FUEL FILTER (1999-07 & 2010) | 98-7612 |
| | IN-LINE METAL DIESEL FUEL FILTER (1999-07) | 108-3828 |
| | DIESEL FUEL FILTER ELEMENT (1999-07) | 98-9764 |
| | DIESEL FUEL FILTER ELEMENT (2008 & UP) | 110-9049 |
| | IN-LINE BIO-DIESEL KIT | 112-7836 |
| | ELEMENT BIO-DIESEL KIT | 110-9015 |
| | HYDRAULIC OIL FILTER ELEMENT | 54-0110 |
| | FILTER HEAD (2001 & UP) | 92-5821 |
| Reelmaster 3550D | 400 Hour Filter Kit | 30090** |
| | AIR FILTER | 108-3811 |
| | ENGINE OIL FILTER | 108-3841 |
| | TRANSMISSION OIL FILTER | 86-3010 |
| | SPIN ON FILTER | 110-9049 |
| | FILTER HEAD | 92-5821 |

*Not illustrated. **Not sold separately. See pages 20-33 for kit contents. Prices subject to change without notice. Please see your Parts Catalog or Master Parts Viewer to ensure the correct part is ordered, as the part you need may not be listed above. toro.com/parts

QUICK REFERENCE GUIDE

FILTERS

Reelmaster[®] - continued

| Equipment | Description | Part No. |
|--|--|----------------|
| Reelmaster 223D 5100D | ENGINE OIL FILTER | 108-3841 |
| | AIR FILTER ELEMENT | 108-3833 |
| | AIR FILTER PRE-CLEANER ASSEMBLY | 48-7430 |
| | DIESEL FUEL FILTER ELEMENT SEPARATOR | 63-8300 |
| | DIESEL ELECTRIC FUEL PUMP FILTER (EFP) | 43-2550 |
| | HYDRAULIC OIL FILTER ELEMENT RESERVOIR | 75-1310 |
| | HYDRAULIC OIL FILTER ELEMENT TRANS | 110-4146 |
| | HYDRAULIC OIL FILTER ELEMENT FRONT AXLE | 75-6340 |
| Reelmaster 5210 5410 5510 | 400 Hour Filter Kit (2006-07) | 30039** |
| | 400 Hour Filter Kit (2008 & Up) non Tier4 | 30054** |
| | ENGINE OIL FILTER | 108-3841 |
| | AIR FILTER ELEMENT | 108-3810 |
| | IN-LINE PLASTIC DIESEL FUEL FILTER (2006-07) | 98-7612 |
| | IN-LINE METAL DIESEL FUEL FILTER (2006-07) | 108-3828 |
| | DIESEL FUEL FILTER ELEMENT (2006-07) | 98-9764 |
| | DIESEL FUEL FILTER ELEMENT (2008 & UP) | 110-9049 |
| | IN-LINE BIO-DIESEL KIT | 112-7836 |
| | ELEMENT BIO-DIESEL KIT | 110-9015 |
| FILTER HEAD (2006 & UP) | 92-5821 | |
| Reelmaster 5410G 5510G | 800 Hour Filter Kit | 30091** |
| | AIR FILTER | 108-3810 |
| | OIL FILTER | 108-3841 |
| | FILTER ELEMENT | 94-2621 |
| | TRANSMISSION OIL FILTER | 86-3010 |
| Reelmaster 5410D 5510D | 800 Hour Filter Kit Tier4 Final | 30093** |
| | AIR FILTER | 108-3810 |
| | ENGINE FILTER | 125-7025 |
| | FILTER ELEMENT | 94-2621 |
| | TRANSMISSION OIL FILTER | 86-3010 |
| | FILTER SPIN ON | 125-2915 |
| | FUEL FILTER | 125-8752 |
| Reelmaster 5010-H | 800 Hour Filter Kit | 30247** |
| | ENGINE OIL FILTER | 108-3841 |
| | FUEL/WATER SEPARATOR | 110-9049 |
| | HYDRAULIC OIL FILTER | 86-3010 |
| | AIR FILTER | 108-3810 |
| Reelmaster 5200D 5400D | 400 Hour Filter Kit | 30015** |
| | ENGINE OIL FILTER | 108-3841 |
| | ENGINE OIL FILTER BREATHER ELEMENT | 98-9493 |
| | AIR FILTER ELEMENT (2005 & UP) | 108-3810 |
| | AIR FILTER PRE-CLEANER ASSEMBLY | 48-7430 |
| | IN-LINE PLASTIC DIESEL FUEL FILTER (1998) | 98-7612 |
| | IN-LINE METAL DIESEL FUEL FILTER (1998) | 108-3828 |
| | DIESEL FUEL FILTER ASSEMBLY (1991-01) | 99-8351 |
| | DIESEL FUEL FILTER ELEMENT (1991-01) | 99-8358 |
| | IN-LINE PLASTIC DIESEL FUEL FILTER (2002 & UP) | 98-7612 |
| | IN-LINE METAL DIESEL FUEL FILTER (2002 & UP) | 108-3828 |
| | DIESEL FUEL FILTER ELEMENT SEPARATOR | 98-9764 |
| | IN-LINE BIO-DIESEL KIT | 112-7836 |
| | BIO-DIESEL FUEL FILTER ELEMENT | 110-9015 |
| | HYDRAULIC OIL FILTER ELEMENT RESERVOIR | 75-1310 |
| | HYDRAULIC OIL FILTER ELEMENT TRANS | 110-4146 |
| HYDRAULIC OIL FILTER ELEMENT FRONT AXLE | 75-6340 | |
| Reelmaster 5300D | ENGINE OIL FILTER | 112-8409 |
| | AIR FILTER ELEMENT | 108-3833 |
| | AIR FILTER PRE-CLEANER ASSEMBLY | 48-7430 |
| | DIESEL FUEL FILTER ELEMENT SEPARATOR | 63-8300 |
| | DIESEL ELECTRIC FUEL PUMP | 43-2550 |
| | HYDRAULIC OIL FILTER ELEMENT RESERVOIR | 75-1310 |
| | HYDRAULIC OIL FILTER ELEMENT TRANS | 110-4146 |
| | HYDRAULIC OIL FILTER ELEMENT FRONT AXLE | 75-6340 |

Reelmaster[®] - continued

| Equipment | Description | Part No. |
|--|--|--------------------------------------|
| Reelmaster 5500D | 400 Hour Filter Kit | 30038** |
| | ENGINE OIL FILTER | 108-3841 |
| | ENGINE OIL BREATHER ELEMENT | 98-9493 |
| | AIR FILTER ELEMENT (2005 & UP) | 108-3810 |
| | AIR FILTER PRE-CLEANER ASSEMBLY | 48-7430 |
| | IN-LINE DIESEL FUEL FILTER (2000-01) | 99-8351 |
| | IN-LINE PLASTIC DIESEL FUEL FILTER (2002 & UP) | 98-7612 |
| | IN-LINE METAL DIESEL FUEL FILTER (2002 & UP) | 108-3828 |
| | DIESEL FUEL FILTER ELEMENT SEPARATOR | 98-9764 |
| | IN-LINE BIO-DIESEL KIT | 112-7836 |
| | BIO-DIESEL FUEL FILTER ELEMENT | 110-9015 |
| | HYDRAULIC OIL FILTER ELEMENT RESERVOIR | 94-2621 |
| | HYDRAULIC OIL FILTER ELEMENT TRANS | 110-4146 |
| HYDRAULIC OIL FILTER ELEMENT FRONT AXLE | 75-6340 | |
| Reelmaster 5610 | 400 Hour Filter Kit (2006-07) | 30040** |
| | 400 Hour Filter Kit (2008 - 2012) | 30055** |
| | ENGINE OIL FILTER | 108-3841 |
| | AIR FILTER ELEMENT | 108-3812 |
| | IN-LINE PLASTIC DIESEL FUEL FILTER (2006-07) | 98-7612 |
| | IN-LINE METAL DIESEL FUEL FILTER (2006-07) | 108-3828 |
| | DIESEL FUEL FILTER ELEMENT (2006-07) | 98-9764 |
| | DIESEL FUEL FILTER ELEMENT (2008 & UP) | 110-9049 |
| | IN-LINE BIO-DIESEL KIT | 112-7836 |
| | BIO-DIESEL FUEL FILTER ELEMENT | 110-9015 |
| | HYDRAULIC OIL FILTER ELEMENT STEERING | 86-3010 |
| | HYDRAULIC OIL FILTER ELEMENT RESERVOIR | 94-2621 |
| | Reelmaster 6500D 6700D | 400 Hour Filter Kit (2003-07) |
| 400 Hour Filter Kit (2008 & Up) | | 30057** |
| ENGINE OIL FILTER (1995-01) | | 108-3837 |
| ENGINE OIL FILTER (2001 & UP) | | 108-3841 |
| ENGINE OIL BREATHER ELEMENT (2001 & UP) | | 98-9493 |
| AIR FILTER OUTER | | 108-3812 |
| AIR FILTER INNER | | 108-3813 |
| DIESEL FUEL FILTER ELEMENT (1995-01) | | 76-5220 |
| DIESEL FUEL FILTER ASSEMBLY (2001-02) | | 99-8351 |
| DIESEL FUEL FILTER ELEMENT (2001-02) | | 99-8358 |
| IN-LINE PLASTIC DIESEL FUEL FILTER (2003-07) | | 98-7612 |
| IN-LINE METAL DIESEL FUEL FILTER (2003-07) | | 108-3828 |
| DIESEL FUEL FILTER ELEMENT (2003-07) | | 98-9764 |
| DIESEL FUEL FILTER ELEMENT (2008 & UP) | 110-9049 | |
| IN-LINE BIO-DIESEL KIT | 112-7836 | |
| ELEMENT BIO-DIESEL KIT | 110-9015 | |
| HYDRAULIC OIL FILTER ELEMENT | 94-2621 | |
| Reelmaster 335D 3500D | ENGINE OIL FILTER | 108-3837 |
| | AIR FILTER ELEMENT | 108-3833 |
| | DIESEL FUEL FILTER ELEMENT | 76-5220 |
| | HYDRAULIC OIL FILTER ELEMENT | 86-3010 |
| Reelmaster 450D 4500D | ENGINE OIL FILTER | 108-3835 |
| | AIR FILTER ELEMENT | 108-3833 |
| | AIR FILTER PRE-CLEANER ASSEMBLY | 48-7430 |
| | DIESEL FUEL FILTER ELEMENT | 60-5470 |
| | HYDRAULIC OIL FILTER ELEMENT (1986-92) | 69-1720 |
| | HYDRAULIC OIL FILTER ELEMENT (1993 & UP) | 86-6110 |

QUICK REFERENCE GUIDE

FILTERS

Reelmaster[®] - continued

| Equipment | Description | Part No. |
|------------------------------|--|----------------|
| Reelmaster 4000D | 400 Hour Filter Kit (2002-07) | 30012** |
| | 400 Hour Filter Kit (2008 & Up) | 30061** |
| | ENGINE OIL FILTER | 104-5169 |
| | ENGINE OIL BREATHER ELEMENT | 98-7419 |
| | AIR FILTER OUTER | 108-3812 |
| | AIR FILTER INNER | 108-3813 |
| | IN-LINE PLASTIC DIESEL FUEL FILTER (1998-01) | 98-7612 |
| | IN-LINE METAL DIESEL FUEL FILTER (1998-01) | 108-3828 |
| | IN-LINE DIESEL FUEL FILTER ASSEMBLY (2002-03) | 99-8351 |
| | IN-LINE DIESEL FUEL FILTER ELEMENT (2002-03) | 99-8358 |
| | IN-LINE PLASTIC DIESEL FUEL FILTER (2004-2007) | 98-7612 |
| | IN-LINE METAL DIESEL FUEL FILTER (2004-07) | 108-3828 |
| | DIESEL FUEL FILTER ELEMENT SEPARATOR (1998-01) | 76-5220 |
| | DIESEL FUEL FILTER ELEMENT SEPARATOR (2002 & UP) | 98-9764 |
| | IN-LINE BIO-DIESEL KIT | 112-7836 |
| ELEMENT BIO-DIESEL KIT | 110-9015 | |
| HYDRAULIC OIL FILTER ELEMENT | 86-6110 | |
| Reelmaster 7000D | ENGINE OIL FILTER | 104-5169 |
| | AIR FILTER OUTER | 108-3814 |
| | AIR FILTER INNER | 108-3816 |
| | GAS FUEL FILTER ELEMENT (2008 & UP) | 110-9049 |
| | HYDRAULIC OIL FILTER AT PUMP | 75-1310 |
| | HYDRAULIC OIL FILTER AT MANIFOLD | 94-2621 |
| | OIL FILTER | 93-2242 |

Groundsmaster[®]

| Equipment | Description | Part No. |
|--|--|----------------|
| Groundsmaster 52 | AIR FILTER ELEMENT | 108-3808 |
| | IN-LINE GAS FUEL FILTER | 108-3831 |
| | HYDRAULIC OIL FILTER ELEMENT - TRANS | 23-2300 |
| Groundsmaster 62 | ENGINE OIL FILTER | 108-3817 |
| | AIR FILTER ELEMENT | 108-3833 |
| | IN-LINE GAS FUEL FILTER | 108-3831 |
| | HYDRAULIC OIL FILTER ELEMENT - TRANS | 23-2300 |
| Groundsmaster 217D | ENGINE OIL FILTER | 42-9030 |
| | AIR FILTER ELEMENT | 108-3833 |
| | IN-LINE DIESEL FUEL FILTER | 43-1820 |
| | DIESEL ELECTRIC FUEL PUMP FILTER (EFP) | 43-2550 |
| | HYDRAULIC OIL FILTER ELEMENT- TRANS | 23-2300 |
| Groundsmaster 220 | ENGINE OIL FILTER | 108-3817 |
| | ENGINE OIL FILTER BREATHER ELEMENT | 57-8580 |
| | AIR FILTER ELEMENT | 108-3833 |
| | IN-LINE GAS FUEL FILTER | 71-5960 |
| | HYDRAULIC OIL FILTER ELEMENT- TRANS | 23-2300 |
| Groundsmaster 220D 223D | 400 Hour Filter Kit | 30030** |
| | ENGINE OIL FILTER | 108-3841 |
| | AIR FILTER ELEMENT | 108-3833 |
| | DIESEL FUEL FILTER ELEMENT SEPARATOR | 63-8300 |
| | DIESEL ELECTRIC FUEL PUMP FILTER (EFP) | 43-2550 |
| | HYDRAULIC OIL FILTER ELEMENT- TRANS | 23-2300 |
| Groundsmaster 224 | ENGINE OIL FILTER | 108-3841 |
| | AIR FILTER ELEMENT | 108-3833 |
| | IN-LINE GAS FUEL FILTER | 108-3831 |
| | GAS ELECTRIC FUEL PUMP FILTER | 43-2550 |
| | HYDRAULIC OIL FILTER ELEMENT- TRANS | 23-2300 |
| Groundsmaster 225 | 400 Hour Filter Kit | 30002** |
| | ENGINE OIL FILTER | 108-3842 |
| | AIR FILTER ELEMENT | 108-3833 |
| | IN-LINE GAS FUEL FILTER | 108-3854 |
| | HYDRAULIC OIL FILTER ELEMENT- TRANS | 23-2300 |

Groundsmaster® - continued

| Equipment | Description | Part No. | |
|-------------------------------------|--|----------------------------|----------------|
| Groundsmaster 228D | 400 Hour Filter Kit | 30001** | |
| | ENGINE OIL FILTER | 108-3841 | |
| | ENGINE OIL FILTER BREATHER ELEMENT | 98-9493 | |
| | AIR FILTER ELEMENT | 108-3810 | |
| | IN-LINE PLASTIC DIESEL FUEL FILTER | 98-7612 | |
| | IN-LINE METAL DIESEL FUEL FILTER | 108-3828 | |
| | DIESEL FUEL FILTER ELEMENT SEPARATOR | 98-9764 | |
| | IN-LINE BIO-DIESEL FUEL FILTER KIT | 112-7836 | |
| | BIO-DIESEL FUEL FILTER ELEMENT | 110-9015 | |
| | DIESEL ELECTRIC FUEL PUMP FILTER (EFP) | 43-2550 | |
| HYDRAULIC OIL FILTER ELEMENT- TRANS | 23-2300 | | |
| Groundsmaster 322D | ENGINE OIL FILTER | 42-9030 | |
| | AIR FILTER ELEMENT | 108-3833 | |
| | IN-LINE DIESEL FUEL FILTER | 43-1820 | |
| | DIESEL FUEL FILTER ELEMENT SEPARATOR (1989-90) | 63-8300 | |
| | DIESEL ELECTRIC FUEL PUMP FILTER (EFP) | 43-2550 | |
| | HYDRAULIC OIL FILTER ELEMENT- TRANS | 23-2300 | |
| Groundsmaster 325D | 400 Hour Filter Kit | 30023** | |
| | ENGINE OIL FILTER 2WD | 42-9030 | |
| | ENGINE OIL FILTER 4WD (1991-94) | 42-9030 | |
| | ENGINE OIL FILTER 4WD (1995 & UP) | 108-3841 | |
| | AIR FILTER ELEMENT | 108-3833 | |
| | IN-LINE DIESEL FUEL FILTER | 43-1820 | |
| | DIESEL FUEL FILTER ELEMENT SEPARATOR | 63-8300 | |
| | DIESEL ELECTRIC FUEL PUMP FILTER (EFP) | 43-2550 | |
| HYDRAULIC OIL FILTER ELEMENT | 23-9740 | | |
| Groundsmaster 327 | ENGINE OIL FILTER | | |
| | AIR FILTER ELEMENT | 108-3833 | |
| | IN-LINE GAS FUEL FILTER | 108-3831 | |
| | HYDRAULIC OIL FILTER ELEMENT - TRANS | 23-2300 | |
| Groundsmaster 328D | 400 Hour Filter Kit (2001 thru 2007) | 30022** | |
| | 400 Hour Filter Kit (2008 & Up) | 30059** | |
| | ENGINE OIL FILTER | 108-3841 | |
| | ENGINE OIL FILTER BREATHER ELEMENT | 98-9493 | |
| | AIR FILTER ELEMENT | 108-3810 | |
| | IN-LINE PLASTIC DIESEL FUEL FILTER (2001-07) | 98-7612 | |
| | IN-LINE METAL DIESEL FUEL FILTER (2001-07) | 108-3828 | |
| | DIESEL FUEL FILTER ELEMENT (2001-07) | 98-9764 | |
| | DIESEL FUEL FILTER ELEMENT (2008 & UP) | 110-9049 | |
| | DIESEL ELECTRIC FUEL PUMP FILTER (EFP) | 43-2550 | |
| | IN-LINE BIO-DIESEL FUEL FILTER KIT | 112-7836 | |
| | BIO-DIESEL FUEL FILTER ELEMENT | 110-9015 | |
| | HYDRAULIC OIL FILTER ELEMENT | 23-9740 | |
| | Groundsmaster 345 | 400 Hour Filter Kit | 30021** |
| | | ENGINE OIL FILTER | 108-3817 |
| AIR FILTER ELEMENT | | 108-3833 | |
| GAS FUEL FILTER AT TANK | | 108-3831 | |
| GAS FUEL FILTER ENGINE (1999 & UP) | | FG778B | |
| HYDRAULIC OIL FILTER | | 23-9740 | |
| Groundsmaster 360 | MVP Filter Kit | 30261** | |
| | ENGINE OIL FILTER | 108-3841 | |
| | AIR FILTER ELEMENT | 108-3810 | |
| | DIESEL FUEL FILTER ELEMENT (2008 & UP) | 110-9049 | |
| | HYDRAULIC OIL FILTER ELEMENT TRANS | 108-5194 | |
| Groundsmaster 455D | 400 Hour Filter Kit | 30028** | |
| | ENGINE OIL FILTER | 108-3837 | |
| | AIR FILTER ELEMENT (1992-95) | 108-3833 | |
| | AIR FILTER ELEMENT OUTER (1996 & UP) | 108-3812 | |
| | AIR FILTER ELEMENT INNER (1996 & UP) | 108-3813 | |
| | DIESEL FUEL FILTER ELEMENT | 76-5220 | |
| | HYDRAULIC OIL FILTER ELEMENT | 86-3010 | |

*Not illustrated. **Not sold separately. See pages 20-33 for kit contents. Prices subject to change without notice. Please see your Parts Catalog or Master Parts Viewer to ensure the correct part is ordered, as the part you need may not be listed above. toro.com/parts

QUICK REFERENCE GUIDE

FILTERS

Groundsmaster[®] - continued

| Equipment | Description | Part No. |
|--|--|----------------|
| Groundsmaster 580D | 400 Hour Filter Kit (1989-03) | 30024** |
| | 400 Hour Filter Kit (2004 & Up) | 30063** |
| | ENGINE OIL FILTER (1989-97) | 108-3835 |
| | ENGINE OIL FILTER (1998 & UP) | 110-6166 |
| | AIR FILTER ELEMENT (1989-97) | 108-3809 |
| | AIR FILTER ELEMENT 2005 & UP) | 108-3815 |
| | DIESEL FUEL FILTER ELEMENT INJECTION PUMP | 108-3818 |
| | DIESEL FUEL FILTER FEED PUMP | 70-4790 |
| | DIESEL FUEL FILTER ELEMENT (1989-03) | 117-9432 |
| | DIESEL FUEL FILTER ELEMENT (2004-05) | 60-5470 |
| | IN-LINE DIESEL FUEL FILTER (2006 & UP) | 108-3831 |
| | BIO-DIESEL FUEL FILTER ELEMENT KIT | 112-9188 |
| | HYDRAULIC OIL FILTER ELEMENT | 69-1720 |
| Groundsmaster 3000 | ENGINE OIL FILTER | FL-400-A |
| | AIR FILTER ELEMENT (1996) | 108-3812 |
| | GAS FUEL FILTER | FG795A |
| | HYDRAULIC OIL FILTER ELEMENT | 94-3951 |
| Groundsmaster 3000D | 400 Hour Filter Kit | 30010** |
| | ENGINE OIL FILTER | 108-3837 |
| | AIR FILTER ELEMENT (1996) | 108-3812 |
| | DIESEL FUEL FILTER ELEMENT | 76-5220 |
| | HYDRAULIC OIL FILTER ELEMENT | 94-3951 |
| Groundsmaster 3280D | 400 Hour Filter Kit (2005-07) | 30034** |
| | 400 Hour Filter Kit (2008-2015) | 30051** |
| | 400 Hour filter Kit (2016 & Up) | 30262** |
| | ENGINE OIL FILTER | 108-3841 |
| | AIR FILTER ELEMENT (2005 & UP) | 108-3810 |
| | IN-LINE PLASTIC DIESEL FUEL FILTER (2005-07) | 98-7612 |
| | IN-LINE METAL DIESEL FUEL FILTER (2005-07) | 108-3828 |
| | DIESEL FUEL FILTER ELEMENT (2005-07) | 98-9764 |
| | DIESEL FUEL FILTER ELEMENT (2008 - 2012) | 110-9049 |
| | IN-LINE BIO-DIESEL FUEL FILTER KIT | 112-7836 |
| | BIO-DIESEL FUEL FILTER ELEMENT | 110-9015 |
| HYDRAULIC OIL FILTER ELEMENT - TRANS | 23-2300 | |
| Groundsmaster 3320 | ENGINE OIL FILTER | 108-3842 |
| | AIR FILTER ELEMENT (2005 & UP) | 108-3810 |
| | IN-LINE GAS FUEL FILTER | 108-3854 |
| | HYDRAULIC OIL FILTER ELEMENT - TRANS | 23-2300 |
| Groundsmaster 3500D 3505D | 400 Hour Filter Kit (2002-2007) | 30027** |
| | 400 Hour Filter Kit (2008-2012) | 30058** |
| | 400 Hour Filter Kit (2013 & Up) | 30090** |
| | ENGINE OIL FILTER | 108-3841 |
| | ENGINE OIL FILTER BREATHER ELEMENT | 98-9493 |
| | AIR FILTER ELEMENT (2005 & UP) | 108-3810 |
| | IN-LINE PLASTIC DIESEL FUEL FILTER (2002-07) | 98-7612 |
| | IN-LINE METAL DIESEL FUEL FILTER (2002-07) | 108-3828 |
| | DIESEL FUEL FILTER ELEMENT (2002-07) | 98-9764 |
| | DIESEL FUEL FILTER ELEMENT (2008-2012) | 110-9049 |
| | IN-LINE BIO-DIESEL FUEL FILTER KIT | 112-7836 |
| BIO-DIESEL FUEL FILTER ELEMENT | 110-9015 | |
| HYDRAULIC OIL FILTER ELEMENT (2000-01) | 54-0110 | |
| HYDRAULIC OIL FILTER ELEMENT (2002 & UP) | 86-3010 | |

Groundsmaster[®] - continued

| Equipment | Description | Part No. |
|--|--|----------------|
| Groundsmaster 4000D 4100D | 400 Hour Filter Kit (2001-07) | 30029** |
| | 400 Hour Filter Kit (2008 & Up) | 30056** |
| | 800 Hour Filter Kit (T4i) | 30089** |
| | 800 Hour Filter Kit (T4F) | 30408** |
| | ENGINE OIL FILTER (2001 & UP) | 104-5169 |
| | ENGINE OIL FILTER BREATHER ELEMENT | 98-7419 |
| | AIR FILTER ELEMENT INNER (2004 & UP) | 108-3816 |
| | AIR FILTER ELEMENT OUTER (2004 & UP) | 108-3814 |
| | IN-LINE PLASTIC DIESEL FUEL FILTER (2001-07) | 98-7612 |
| | IN-LINE METAL DIESEL FUEL FILTER (2001-07) | 108-3828 |
| | DIESEL FUEL FILTER ELEMENT (2001-07) | 98-9764 |
| | DIESEL FUEL FILTER ELEMENT (2008 & UP) | 110-9049 |
| | IN-LINE BIO-DIESEL FUEL FILTER KIT | 112-7836 |
| | BIO-DIESEL FUEL FILTER ELEMENT | 110-9015 |
| | HYDRAULIC OIL FILTER ELEMENT AT PUMP | 75-1310 |
| | HYDRAULIC OIL FILTER ELEMENT AT MANIFOLD | 94-2621 |
| | OIL FILTER | 93-2242 |
| FILTER - FUEL/WATER SEPARATOR | 125-2915 | |
| Groundsmaster 4300D | 400 Hour Filter Kit (2008 - 2012) | 30055** |
| | 800 Hour Filter MVP Kit (2013 & Up) | 30093** |
| | ENGINE OIL FILTER | 108-3841 |
| | AIR FILTER | 108-3812 |
| | IN-LINE DIESEL FUEL FILTER | 110-9044 |
| | DIESEL FUEL FILTER ELEMENT (2008 - 2012) | 110-9049 |
| | HYDRAULIC OIL FILTER RESERVOIR ELEMENT | 94-2621 |
| HYDRAULIC OIL FILTER AT PUMP ELEMENT | 86-3010 | |
| Groundsmaster 4500D 4700D | 400 Hour Filter Kit (2001-07) | 30029** |
| | 400 Hour Filter Kit (2008 & Up) | 30056** |
| | 800 Hour Filter Kit (T4i) | 30089** |
| | 800 Hour Filter Kit (T4F) | 30408** |
| | ENGINE OIL FILTER | 104-5169 |
| | ENGINE OIL FILTER BREATHER ELEMENT | 98-7419 |
| | AIR FILTER ELEMENT INNER (2004 & UP) | 108-3816 |
| | AIR FILTER ELEMENT OUTER (2004 & UP) | 108-3814 |
| | IN-LINE PLASTIC DIESEL FUEL FILTER (2002-07) | 98-7612 |
| | IN-LINE METAL DIESEL FUEL FILTER (2002-07) | 108-3828 |
| | DIESEL FUEL FILTER ELEMENT (2002-07) | 98-9764 |
| | DIESEL FUEL FILTER ELEMENT (2008 & UP) | 110-9049 |
| | IN-LINE BIO-DIESEL FUEL FILTER KIT | 112-7836 |
| | BIO-DIESEL FUEL FILTER ELEMENT | 110-9015 |
| | HYDRAULIC OIL FILTER ELEMENT AT PUMP | 75-1310 |
| | HYDRAULIC OIL FILTER ELEMENT AT MANIFOLD | 94-2621 |
| | OIL FILTER | 93-2242 |
| Groundsmaster 5900 5910 | 400 Hour Filter Kit | 30041** |
| | ENGINE OIL FILTER | 130-8860 |
| | AIR FILTER ELEMENT INNER | 115-8877 |
| | AIR FILTER ELEMENT OUTER | 115-8887 |
| | DIESEL FUEL FILTER ELEMENT AT ENGINE | 117-2792 |
| | DIESEL FUEL FILTER ELEMENT AT SEPARATOR | 115-5471 |
| | HYDRAULIC OIL FILTER MAIN ELEMENT | 86-6110 |
| | HYDRAULIC OIL FILTER PTO ELEMENT | 75-1310 |
| | FUEL FILTER (2016 & UP) | 125-8752 |
| | ENGINE FILTER (2016 & UP) | 125-7025 |
| Groundsmaster 7200 7210 | 400 Hour Filter Kit (2007) | 30037** |
| | 400 Hour Filter Kit (2008-2014) | 30052** |
| | MVP Filter Kit, Tier4 Final (2015 & Up) | 30261** |
| | ENGINE OIL FILTER | 108-3841 |
| | AIR FILTER ELEMENT | 108-3810 |
| | IN-LINE PLASTIC DIESEL FUEL FILTER (2007) | 98-7612 |
| | IN-LINE METAL DIESEL FUEL FILTER (2007) | 108-3828 |
| | DIESEL FUEL FILTER ELEMENT (2007) | 98-9764 |
| | DIESEL FUEL FILTER ELEMENT (2008 & UP) | 110-9049 |
| | BIO-DIESEL FUEL FILTER ELEMENT | 110-9015 |
| HYDRAULIC OIL FILTER ELEMENT - TRANS | 108-5194 | |
| FILTER - FUEL/WATER SEPARATOR | 125-2915 | |

*Not illustrated. **Not sold separately. See pages 20-33 for kit contents. Prices subject to change without notice. Please see your Parts Catalog or Master Parts Viewer to ensure the correct part is ordered, as the part you need may not be listed above. toro.com/parts

QUICK REFERENCE GUIDE

FILTERS

Aerator

| Equipment | Description | Part No. |
|------------------------------------|--|----------------|
| ProCore 648 | INLINE FUEL FILTER | 115-7854 |
| | HYDRAULIC OIL FILTER | 107-9531 |
| Hydroject 3000 4000 | 400 Hour Maintenance Kit | 30008** |
| | ENGINE OIL FILTER BREATHER ELEMENT | 57-8580 |
| | ENGINE OIL FILTER | 108-3817 |
| | AIR FILTER ELEMENT | 82-0660 |
| | IN-LINE GAS FUEL FILTER | 71-5960 |
| | HYDRAULIC OIL FILTER ELEMENT (3000 ONLY) | 67-8110 |
| | WATER FILTER PRE-FILTER ASSEMBLY | 86-9100 |
| | WATER FILTER PRE-FILTER BOWL | 86-9120 |
| | WATER FILTER ELEMENT PRE-FILTER | 86-9140 |
| | WATER FILTER ELEMENT STANDARD | 86-8630 |
| | WATER FILTER ELEMENT - 25 MICRON | 80-9590 |
| Hydroject 3010 | ENGINE OIL FILTER | 52 050 02-S |
| | AIR FILTER ELEMENT - PRIMARY | 25 083 01 S |
| | AIR FILTER ELEMENT - SAFETY | 25 083 04 S |
| | IN-LINE GAS FUEL FILTER | 24 050 09 S |
| | HYDRAULIC OIL FILTER ELEMENT | 67-8110 |
| | WATER FILTER PRE-FILTER ASSEMBLY | 86-9100 |
| | WATER FILTER PRE-FILTER BOWL | 86-9120 |
| | WATER FILTER ELEMENT PRE-FILTER | 86-9140 |
| | WATER FILTER ELEMENT STANDARD | 86-8630 |

Workman®

| Equipment | Description | Part No. |
|--|--|----------------|
| Workman 1100 MD | 400 Hour Filter Kit | 30005** |
| | AIR FILTER ELEMENT | 108-3811 |
| | IN-LINE GAS FUEL FILTER | 94-2690 |
| Workman 2100 2110 | ENGINE OIL FILTER | 107-7817 |
| | ENGINE OIL FILTER (2000-07) | 842921 |
| | AIR FILTER ELEMENT | 108-3811 |
| | IN-LINE GAS FUEL FILTER | 94-2690 |
| Workman MDX | 400 Hour Filter Kit | 30004** |
| | ENGINE OIL FILTER | 107-7817 |
| | AIR FILTER ELEMENT | 108-3811 |
| Workman 3100 | IN-LINE GAS FUEL FILTER | 94-2690 |
| | ENGINE OIL FILTER | 12 050 01-S |
| | ENGINE OIL FILTER BREATHER ELEMENT | 24 050 10 |
| | AIR FILTER ELEMENT - MAIN (1994-01) | 47 083 03-S |
| | AIR FILTER ELEMENT - MAIN (2002 & UP) | 24 083 03-S |
| | AIR FILTER ELEMENT - WRAPPER (1994-01) | 24 083 02-S |
| | AIR FILTER ELEMENT - WRAPPER (2002 & UP) | 24 083 05-S |
| | IN-LINE GAS FUEL FILTER (1993-99) | 108-3831 |
| | IN-LINE GAS FUEL FILTER (2000 & UP) | 108-3854 |
| | HYDRAULIC OIL FILTER ELEMENT (1994-03) | 54-0110 |
| Workman 3120 | ENGINE OIL FILTER | 12 050 01-S |
| | ENGINE OIL FILTER BREATHER ELEMENT | 24 050 10 |
| | AIR FILTER ELEMENT - MAIN | 47 083 03-S |
| | AIR FILTER ELEMENT - WRAPPER | 24 083 02-S |
| | IN-LINE GAS FUEL FILTER | 108-3831 |
| Workman 3200 | HYDRAULIC OIL FILTER ELEMENT | 54-0110 |
| | 400 Hour Maintenance Kit | 30017** |
| | ENGINE OIL FILTER (1993-94) | 42-9030 |
| | ENGINE OIL FILTER (1995-01) | 108-3841 |
| | ENGINE OIL FILTER (2002 & UP) | 108-3842 |
| | AIR FILTER ELEMENT (1993-98) | 108-3808 |
| | AIR FILTER SAFETY ELEMENT (1999-01) | 98-2982 |
| | GAS FUEL FILTER (1993-99) | 108-3831 |
| | IN-LINE GAS FUEL FILTER (2000 & UP) | 108-3854 |
| HYDRAULIC OIL FILTER ELEMENT (1993-03) | 54-0110 | |

Workman[†] - continued

| Equipment | Description | Part No. |
|--|--|-------------------|
| Workman 3210 3220 | ENGINE OIL FILTER | 108-3841 |
| | AIR FILTER ELEMENT | 108-3811 |
| | AIR FILTER SAFETY ELEMENT | 98-2982 |
| | IN-LINE GAS FUEL FILTER | 108-3831 |
| | HYDRAULIC OIL FILTER ELEMENT | 54-0110 |
| Workman 3300D 4300D | 400 Hour Maintenance Kit (2002 & Up) | 30006** |
| | ENGINE OIL FILTER (1993-01) | 108-3841 |
| | ENGINE OIL FILTER (2002 & UP) | 108-3842 |
| | AIR FILTER ELEMENT (1993-98) | 108-3808 |
| | AIR FILTER ELEMENT (1999 & UP) | 108-3811 |
| | AIR FILTER SAFETY ELEMENT (1999 & UP) | 98-2982 |
| | GAS FUEL FILTER ELEMENT SEPARATOR | 63-8300 |
| | GAS ELECTRIC FUEL PUMP FILTER (EFP) | 43-2550 |
| HYDRAULIC OIL FILTER ELEMENT (1993-03) | 54-0110 | |
| Workman 3310D 3220D | ENGINE OIL FILTER | 108-3841 |
| | AIR FILTER ELEMENT | 108-3811 |
| | AIR FILTER SAFETY ELEMENT | 98-2982 |
| | DIESEL FUEL FILTER ELEMENT SEPARATOR | 63-8300 |
| | DIESEL ELECTRIC FUEL PUMP FILTER (EFP) | 43-2550 |
| | HYDRAULIC OIL FILTER ELEMENT | 54-0110 |
| Workman 3420 | ENGINE OIL FILTER | 108-3841 |
| | AIR FILTER ELEMENT | 108-3811 |
| | IN-LINE GAS FUEL FILTER | 108-3831 |
| | HYDRAULIC OIL FILTER ELEMENT | 54-0110 |
| Workman 4200 | 400 Hour Maintenance Kit (2002-07) | 30017** |
| | ENGINE OIL FILTER (1995-01) | 108-3841 |
| | ENGINE OIL FILTER (2002 & UP) | 108-3842 |
| | AIR FILTER ELEMENT (1993-98) | 108-3808 |
| | AIR FILTER ELEMENT (1999 & UP) | 108-3811 |
| | AIR FILTER SAFETY ELEMENT (1999 & UP) | 98-2982 |
| | IN-LINE GAS FUEL FILTER (1993-99) | 108-3831 |
| | IN-LINE GAS FUEL FILTER (200 & UP) | 108-3854 |
| | HYDRAULIC OIL FILTER ELEMENT (1995-03) | 54-0110 |
| | ENGINE OIL FILTER | 108-3847 |
| Workman HD | ENGINE OIL FILTER | 12 050 01-S |
| | AIR FILTER PRE-CLEANER | 24 083 05-S |
| | AIR FILTER ELEMENT | 24 083 03-S |
| | IN-LINE GAS FUEL FILTER | 108-3854 |
| | IN-LINE GAS FUEL FILTER | 115-7854 |
| | HYDRAULIC OIL FILTER ELEMENT | 54-0110 |
| | ENGINE OIL FILTER | 108-3847 |
| Workman HDX | 400 Hour Maintenance Kit (2012 & Older) | 30073** |
| | ENGINE OIL FILTER (2012 & OLDER) | 108-3842 |
| | ENGINE OIL FILTER (2013 & UP) | 115-8189 |
| | AIR FILTER ELEMENT (2012 & OLDER) | 108-3811 |
| | AIR FILTER ELEMENT (2013 & UP) | 108-3810 |
| | IN-LINE GAS FUEL FILTER | 115-7854 |
| | GAS FUEL FILTER | 115-7818 |
| | HYDRAULIC OIL FILTER | 54-0110 |
| Workman HDX-D | 400 Hour Maintenance Kit (2012 & Older) | 30068** |
| | ENGINE OIL FILTER | 108-3842 |
| | AIR FILTER ELEMENT | 108-3811 |
| | DIESEL FUEL FILTER ELEMENT - SEPARATOR | 110-9049 |
| | HYDRAULIC OIL FILTER ELEMENT | 54-0110 |
| Workman HDX-Auto | 400 Hour Maintenance Kit | 131-8276** |
| | ENGINE OIL FILTER | 108-3847 |
| | FUEL FILTER ELEMENT | 115-7818 |
| | IN-LINE FUEL FILTER | 115-7854 |
| Workman GTX | AIR FILTER ELEMENT | 108-3811 |
| | 400 Hour Maintenance Kit | 136-6280** |
| | AIR FILTER | 108-3811 |
| | FUEL FILTER | 56-6360 |

[†]Not illustrated. ^{**}Not sold separately. See pages 20-33 for kit contents. Prices subject to change without notice. Please see your Parts Catalog or Master Parts Viewer to ensure the correct part is ordered, as the part you need may not be listed above. toro.com/parts

QUICK REFERENCE GUIDE

FILTERS

Multi Pro®

| Equipment | Description | Part No. |
|-------------------------------------|---|-------------------|
| Multi Pro 1100 | ENGINE OIL FILTER | 12 050 01 |
| | AIR FILTER | 47 083 03-S |
| | GAS FUEL FILTER | 24 050 02-S |
| Multi Pro 1200/1250/1750 | 1200/1250/1750 MVP Kit Filter/Screen Suction | 131-3751** |
| | ENGINE OIL FILTER | 108-3847 |
| | AIR FILTER ELEMENT - MAIN | 47 083 03-S |
| | AIR FILTER ELEMENT - WRAPPER | 24 083 02-S |
| | IN-LINE GAS FUEL FILTER | 24 050 02-S |
| Multi Pro 5200 | HYDRAULIC OIL FILTER ELEMENT | 54-0110 |
| | ENGINE OIL FILTER | |
| | AIR FILTER ELEMENT | 106-4904 |
| | IN-LINE GAS FUEL FILTER | 108-3854 |
| | ENGINE OIL FILTER | 108-3817 |
| Multi Pro 5500 | AIR FILTER ELEMENT | 106-4904 |
| | AIR FILTER ELEMENT - CAB | 92-3814 |
| | IN-LINE GAS FUEL FILTER | 108-3854 |
| | IN-LINE HYDRAULIC OIL FILTER | 86-3010 |
| Multi Pro 5600 | ENGINE OIL FILTER | 108-3817 |
| | AIR FILTER ELEMENT | 106-4904 |
| | IN-LINE GAS FUEL FILTER | 108-3854 |
| | IN-LINE HYDRAULIC OIL FILTER | 86-3010 |
| Multi Pro 5700D | ENGINE OIL FILTER | 108-3841 |
| | AIR FILTER ELEMENT | 108-3810 |
| | IN-LINE PLASTIC DIESEL FUEL FILTER | 98-7612 |
| | IN-LINE METAL DIESEL FUEL FILTER | 108-3828 |
| | DIESEL FUEL FILTER ELEMENT (2004-07) | 98-9764 |
| | DIESEL FUEL FILTER ELEMENT (2008 & UP) | 110-9049 |
| | IN-LINE BIO-DIESEL FUEL FILTER KIT | 112-7836 |
| BIO-DIESEL ELEMENT KIT | 110-9015 | |
| Multi Pro 5800 | IN-LINE HYDRAULIC OIL FILTER | 86-3010 |
| | ENGINE OIL FILTER | 108-3841 |
| | AIR FILTER ELEMENT | 108-3810 |
| | DIESEL FUEL FILTER ELEMENT | 110-9049 |
| | SEPARATOR FILTER ASSEMBLY | 110-9044 |
| | 50 BLUE SUCTION HYDRAULIC OIL FILTER | 100-8642 |
| | HYDRAULIC OIL FILTER ELEMENT AT PUMP | 75-1310 |
| | GASOLINE FUEL FILTER ELEMENT | 125-2902 |
| | OIL FILTER | 93-2242 |

Specialty Turf Equipment

| Equipment | Description | Part No. |
|--|------------------------------|-----------|
| Sand Pro | AIR FILTER ELEMENT | 108-3808 |
| | IN-LINE GAS FUEL FILTER | 108-3831 |
| | HYDRAULIC OIL FILTER ELEMENT | 23-9740 |
| Sand Pro 2000 3000 | AIR FILTER ELEMENT - MAIN | 45 083 02 |
| | AIR FILTER ELEMENT - WRAPPER | 45 083 01 |
| | AIR FILTER ELEMENT - REMOTE | 108-3808 |
| | IN-LINE GAS FUEL FILTER | 108-3831 |
| | HYDRAULIC OIL FILTER ELEMENT | 23-9740 |
| Sand Pro 2020 3020 5020 | ENGINE OIL FILTER | 107-7817 |
| | AIR FILTER ELEMENT - MAIN | 92-0527 |
| | AIR FILTER ELEMENT - WRAPPER | 272490S |
| | AIR FILTER ELEMENT - REMOTE | 108-3811 |
| | IN-LINE GAS FUEL FILTER | 94-2690 |
| HYDRAULIC OIL FILTER ELEMENT | 23-9740 | |

Specialty Turf Equipment - continued

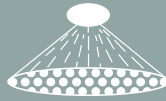
| Equipment | Description | Part No. |
|---|---|----------------|
| Sand Pro 5000 | ENGINE OIL FILTER | 107-7817 |
| | AIR FILTER ELEMENT - MAIN | 92-0527 |
| | AIR FILTER ELEMENT - WRAPPER | 272490S |
| | AIR FILTER ELEMENT - REMOTE (1992-94) | 108-3808 |
| | AIR FILTER ELEMENT - REMOTE (1995 & UP) | 108-3811 |
| | IN-LINE GAS FUEL FILTER | 94-2690 |
| | HYDRAULIC OIL FILTER ELEMENT | 23-9740 |
| Sand/Infield Pro 3040 5040 | 400 Hour Maintenance Kit | 30035** |
| | ENGINE OIL FILTER | 107-7817 |
| | AIR FILTER ELEMENT - REMOTE | 108-3811 |
| | IN-LINE GAS FUEL FILTER | 94-2690 |
| | HYDRAULIC OIL FILTER ELEMENT | 54-0110 |
| SandPro 2040Z | 400 Hour Filter Maintenance Kit | 08725** |
| | FILTER ELEMENT | 114-3494 |
| | INNER FILTER KIT | 127-0381 |
| | OIL FILTER | 119-5852 |
| | AIR FILTER | 108-3811 |
| | IN-LINE FUEL FILTER | 115-7854 |
| Trailer Sprayer 50T 80T | 50 NOZZLE WATER FILTER | 99-0853 |
| | | |
| Trailer Sprayer 300T | 30 GREEN SUCTION WATER FILTER | 100-6991 |
| | 50 BLUE SUCTION WATER FILTER | 100-8642 |
| | 80 RED SUCTION WATER FILTER | 100-6992 |
| | PRESSURE WATER FILTER | 100-6756 |
| Rake-O-Vac 66" | ENGINE OIL FILTER | 12-050-01 |
| | ENGINE OIL FILTER BREATHER ELEMENT | 24 050 01 |
| | AIR FILTER ELEMENT - MAIN | 47 083 03 |
| | AIR FILTER ELEMENT - REMOTE | 108-3808 |
| | IN-LINE GAS FUEL FILTER | 25 050 03 |
| | ENGINE OIL FILTER | 108-3847 |
| Turf Sweeper 4800 | ENGINE OIL FILTER (2001 & UP) | 52 050 02-S |
| | AIR FILTER ELEMENT - MAIN (2001 & UP) | 47 083 03 |
| | AIR FILTER ELEMENT - WRAPPER (2001 & UP) | 24 083 02-S |
| | IN-LINE GAS FUEL FILTER | 108-3854 |
| | HYDRAULIC OIL FILTER ELEMENT (1992-95) | 01-317-0240 |
| | HYDRAULIC OIL FILTER ELEMENT (1997 & UP) | 23-9740 |
| Top Dresser | DIESEL FUEL FILTER ELEMENT (2500) | 86-3010 |
| ProForce Debris Blower 800 | ENGINE OIL FILTER | 108-3847 |
| | AIR FILTER ELEMENT - MAIN | 24 083 03 |
| | AIR FILTER ELEMENT - WRAPPER | 24 083 05 |
| | IN-LINE GAS FUEL FILTER | 108-3854 |
| Line Painter 1200 | 400 Hour Filter Maintenance Kit | 30036** |
| | ENGINE OIL FILTER | 108-3842 |
| | AIR FILTER ELEMENT - MAIN | 108-2604 |
| | AIR FILTER ELEMENT - FOAM | 108-2603 |
| ProCore Core Processor | ENGINE OIL FILTER | 842921 |
| | AIR FILTER ELEMENT | 108-3810 |
| | GAS FUEL FILTER | 695666 |
| | ENGINE OIL FILTER | 107-7817 |

1 CHOOSE YOUR NOZZLE

SYSTEMIC NOZZLES

OPEN BOOM

| | EXCELLENT | VERY GOOD | GOOD |
|-------------------|-----------|-----------|------|
| Herbicides | | | |
| Soil Incorporated | • | | |
| Pre-Emergence | • | | |
| Post-Emergence | | • | |
| Fungicides | | • | |
| Insecticides | | • | |
| Liquid Fertilizer | • | | |
| Drift | • | | |



Systemic nozzles provide excellent spray distribution through a wide angle, flat spray pattern. These nozzles are excellent at reducing spray drift.

AIC TeeJet® (Air Induction Flat Fan)

The AIC TeeJet® (Air Induction Flat Fan) nozzle is a good general purpose nozzle that can be used for both contact and systemic applications. The spray pattern is 110 degrees with tapered edges similar to a standard flat fan. This nozzle produces coarse air-filled droplets with a venturi air aspirator. The air-filled drops reduce spray drift but provide good contact coverage. Air Induction nozzles can be operated at higher spray pressures without creating excessive spray drift. Distribution AIC nozzles are best when used at pressures above 30 psi.

TurfJet Wide Angle Flat Spray

The TurfJet is a wide 130 degree angle nozzle with a tapered fan pattern. The TurfJet is best suited for systemic applications where distribution quality is the primary goal. The TurfJet creates extra coarse droplets and provides good drift control. Distribution quality is excellent at all pressures.



CONTACT NOZZLES

ANY BOOM

| | EXCELLENT | VERY GOOD | GOOD |
|-------------------|-----------|-----------|------|
| Herbicides | | | |
| Soil Incorporated | | | |
| Pre-Emergence | | | |
| Post-Emergence | • | | • |
| Fungicides | • | | • |
| Insecticides | • | | • |
| Liquid Fertilizer | | • | • |
| Drift | | | • |



Contact nozzles provide excellent spray distribution over a wide range of pressures. These nozzles allow for better coverage at higher pressures.

Toro exclusive Air Induction Turbo Twin Jet in the 0.8, 1.0 and 1.5 sizes.



Air Induction Turbo TwinJet®

The Air Induction Turbo TwinJet® is an air induction style nozzle with two separate 110 degree spray patterns. One spray pattern is directed forward of vertical and the second pattern is directed rear of vertical. This nozzle creates medium and coarse droplets and is an excellent nozzle for contact applications where drift control is needed. The two independent spray patterns improve contact coverage by spraying the turf at two different angles.

XRC TeeJet® Flat Fan

The Standard XRC Flat Fan nozzle has a 110 degree tapered spray pattern and produces medium and fine droplets. Because of the smaller droplets the Standard XRC Flat Fan is best suited for contact applications where drift control is not needed.

| | CONTACT PRODUCTS | SYSTEMIC PRODUCTS | DRIFT CONTROL |
|------------------|------------------|-------------------|---------------|
| AIC | GOOD | EXCELLENT | EXCELLENT |
| AI Turbo TwinJet | EXCELLENT | GOOD | GOOD |
| TurfJet | POOR | EXCELLENT | EXCELLENT |
| XRC | EXCELLENT | GOOD | POOR |



Tip Strainer

4

ORDER THE CORRECT CAPS, GASKETS AND TIP STRAINERS

| | Cap | Gasket † | Tip Strainer |
|------------------|----------|----------|----------------------|
| AIC | Included | 40998 | 120-0698 or 120-0699 |
| AI Turbo TwinJet | 120-8570 | 40998 | 120-0698 or 120-0699 |
| TurfJet | 95-9186 | 40998 | 120-0698 or 120-0699 |
| XRC | Included | 40998 | 120-0698 or 120-0699 |

† Gaskets are included with the nozzles/caps. Order if extra gaskets are required.

3

Nozzle Selection Guide

REMEMBER TO FILL ALL THREE NOZZLES on your turret to complete a variety of applications.

2

SELECT THE DESIRED MAIN SUCTION LINE FILTER

| Description | 80 mesh | 50 mesh | 30 mesh |
|-------------|----------|----------|----------|
| Part Number | 100-6992 | 100-8662 | 100-6991 |

Multi Pro® Spray Nozzle Selection Guide

| Color Code | Nozzle Options | Toro Part# | Spray Pressure in PSI | Capacity 1 Nozzle in GPM | Flow oz per min | Gallons Per Acre - 20" Nozzle Spacing | | | | | | | | | | Gallons per 1000 sq ft - 20" Nozzle Spacing | | | | | | |
|-------------------|--------------------|------------|-----------------------|--------------------------|-----------------|---------------------------------------|---------|-------|---------|-------|---------|-------|---------|-------|---------|---|---------|-------|---------|-------|---------|-------|
| | | | | | | 3 mph | 3.5 mph | 4 mph | 4.5 mph | 5 mph | 5.5 mph | 6 mph | 6.5 mph | 7 mph | 2.5 mph | 3 mph | 3.5 mph | 4 mph | 4.5 mph | 5 mph | 5.5 mph | 6 mph |
| Red 0.4 gpm* | AIC | 120-0701 | 20 | 0.28 | 36 | 27.7 | 23.8 | 20.8 | 18.5 | 16.6 | 15.1 | 13.9 | 12.8 | 11.9 | 0.76 | 0.63 | 0.54 | 0.48 | 0.42 | 0.38 | 0.35 | 0.32 |
| | AI Turbo TwinJet** | 120-0708 | 30 | 0.35 | 45 | 34.7 | 29.7 | 26.0 | 23.1 | 20.8 | 18.9 | 17.3 | 16.0 | 14.9 | 0.95 | 0.79 | 0.68 | 0.60 | 0.53 | 0.48 | 0.43 | 0.40 |
| | TurfJet** | 95-9222 | 40 | 0.40 | 51 | 39.6 | 33.9 | 29.7 | 26.4 | 23.8 | 21.6 | 19.8 | 18.3 | 17.0 | 1.09 | 0.91 | 0.78 | 0.68 | 0.60 | 0.54 | 0.49 | 0.45 |
| | XRC | 117-5834 | 50 | 0.45 | 58 | 44.6 | 38.2 | 33.4 | 29.7 | 26.7 | 24.3 | 22.3 | 20.6 | 19.1 | 1.22 | 1.02 | 0.87 | 0.77 | 0.68 | 0.61 | 0.56 | 0.51 |
| Brown 0.5 gpm* | AIC | 120-0699 | 70 | 0.53 | 68 | 52.5 | 45.0 | 39.4 | 35.0 | 31.5 | 28.6 | 26.2 | 24.2 | 22.5 | 1.44 | 1.20 | 1.03 | 0.90 | 0.80 | 0.72 | 0.66 | 0.60 |
| | AIC | 120-0702 | 20 | 0.35 | 45 | 34.7 | 29.7 | 26.0 | 23.1 | 20.8 | 18.9 | 17.3 | 16.0 | 14.9 | 0.95 | 0.79 | 0.68 | 0.60 | 0.53 | 0.48 | 0.43 | 0.40 |
| | AI Turbo TwinJet** | 120-0709 | 30 | 0.43 | 55 | 42.6 | 36.5 | 31.9 | 28.4 | 25.5 | 23.2 | 21.3 | 19.7 | 18.2 | 1.17 | 0.97 | 0.84 | 0.73 | 0.65 | 0.58 | 0.53 | 0.49 |
| | TurfJet** | 95-9223 | 40 | 0.50 | 64 | 49.5 | 42.4 | 37.1 | 33.0 | 29.7 | 27.0 | 24.8 | 22.9 | 21.2 | 1.36 | 1.13 | 0.97 | 0.85 | 0.76 | 0.68 | 0.62 | 0.57 |
| Gray 0.6 gpm* | XRC | 117-5835 | 50 | 0.56 | 72 | 55.4 | 47.5 | 41.6 | 37.0 | 33.3 | 30.2 | 27.7 | 25.6 | 23.8 | 1.52 | 1.27 | 1.09 | 0.95 | 0.85 | 0.76 | 0.69 | 0.63 |
| | AIC | 120-0699 | 70 | 0.66 | 84 | 65.3 | 56.0 | 49.0 | 43.6 | 39.2 | 35.6 | 32.7 | 30.2 | 28.0 | 1.80 | 1.50 | 1.28 | 1.12 | 1.00 | 0.90 | 0.82 | 0.75 |
| | AI Turbo TwinJet** | 120-0703 | 20 | 0.42 | 54 | 41.6 | 35.6 | 31.2 | 27.7 | 25.0 | 22.7 | 20.8 | 19.2 | 17.8 | 1.14 | 0.95 | 0.82 | 0.71 | 0.63 | 0.57 | 0.52 | 0.48 |
| | TurfJet** | 95-9224 | 40 | 0.60 | 77 | 59.4 | 50.9 | 44.6 | 39.6 | 35.6 | 32.4 | 29.7 | 27.4 | 25.5 | 1.63 | 1.36 | 1.17 | 1.02 | 0.91 | 0.82 | 0.74 | 0.68 |
| White 0.8 gpm* | XRC | 117-5836 | 50 | 0.67 | 86 | 66.3 | 56.9 | 49.8 | 44.2 | 39.8 | 36.2 | 33.2 | 30.6 | 28.4 | 1.82 | 1.52 | 1.30 | 1.14 | 1.01 | 0.91 | 0.83 | 0.76 |
| | AIC | 120-0699 | 70 | 0.79 | 101 | 78.2 | 67.0 | 58.7 | 52.1 | 46.9 | 42.7 | 39.1 | 36.1 | 33.5 | 2.15 | 1.79 | 1.53 | 1.34 | 1.19 | 1.07 | 0.98 | 0.90 |
| | AI Turbo TwinJet | 120-0704 | 20 | 0.57 | 73 | 56.4 | 48.4 | 42.3 | 37.6 | 33.9 | 30.8 | 28.2 | 26.0 | 24.2 | 1.55 | 1.29 | 1.11 | 0.97 | 0.86 | 0.78 | 0.70 | 0.65 |
| | TurfJet** | 95-9225 | 40 | 0.80 | 102 | 79.2 | 67.9 | 59.4 | 52.8 | 47.5 | 43.2 | 39.6 | 36.6 | 33.9 | 2.18 | 1.81 | 1.55 | 1.36 | 1.21 | 1.09 | 0.99 | 0.91 |
| Blue 1.0 gpm* | XRC | 117-5837 | 50 | 0.89 | 114 | 88.1 | 75.5 | 66.1 | 58.7 | 52.9 | 48.1 | 44.1 | 40.7 | 37.8 | 2.42 | 2.02 | 1.73 | 1.51 | 1.34 | 1.21 | 1.10 | 1.01 |
| | AIC | 120-0699 | 70 | 1.06 | 136 | 104.9 | 90.0 | 78.7 | 70.0 | 63.0 | 57.2 | 52.5 | 48.4 | 45.0 | 2.88 | 2.22 | 1.90 | 1.67 | 1.48 | 1.33 | 1.21 | 1.11 |
| | AI Turbo TwinJet | 120-0705 | 20 | 0.71 | 91 | 70.3 | 60.3 | 52.7 | 46.9 | 42.2 | 38.3 | 35.2 | 32.4 | 30.1 | 1.93 | 1.61 | 1.38 | 1.21 | 1.07 | 0.97 | 0.88 | 0.80 |
| | TurfJet** | 95-9188 | 40 | 1.00 | 128 | 99.0 | 84.9 | 74.3 | 66.0 | 59.4 | 54.0 | 49.5 | 45.7 | 42.4 | 2.72 | 2.27 | 1.94 | 1.70 | 1.51 | 1.36 | 1.24 | 1.13 |
| Green 1.5 gpm* | XRC | 117-5838 | 50 | 1.12 | 143 | 110.9 | 95.0 | 83.2 | 73.9 | 66.5 | 60.5 | 55.4 | 51.2 | 47.5 | 3.05 | 2.54 | 2.18 | 1.90 | 1.69 | 1.52 | 1.38 | 1.27 |
| | AIC | 120-0699 | 70 | 1.32 | 169 | 130.7 | 112.0 | 98.0 | 87.1 | 78.4 | 71.3 | 65.3 | 60.3 | 56.0 | 3.32 | 2.77 | 2.37 | 2.07 | 1.84 | 1.66 | 1.51 | 1.38 |
| | AI Turbo TwinJet | 120-0706 | 20 | 0.87 | 111 | 86.1 | 73.8 | 64.6 | 57.4 | 51.7 | 47.0 | 43.1 | 39.8 | 36.9 | 2.37 | 1.97 | 1.69 | 1.48 | 1.31 | 1.18 | 1.08 | 0.99 |
| | TurfJet** | 95-9226 | 40 | 1.50 | 192 | 148.5 | 127.3 | 111.4 | 99.0 | 89.1 | 81.0 | 74.3 | 68.5 | 63.6 | 4.08 | 3.40 | 2.91 | 2.55 | 2.27 | 2.04 | 1.85 | 1.70 |
| Green 1.5 gpm* | XRC | 117-5839 | 50 | 1.68 | 215 | 166.3 | 142.6 | 124.7 | 110.9 | 99.8 | 90.7 | 83.2 | 76.8 | 71.3 | 4.57 | 3.81 | 3.26 | 2.86 | 2.54 | 2.28 | 2.08 | 1.90 |
| | AIC | 120-0699 | 70 | 1.98 | 253 | 196.0 | 168.0 | 147.0 | 130.7 | 117.6 | 106.9 | 98.0 | 90.5 | 84.1 | 5.00 | 4.17 | 3.57 | 3.13 | 2.78 | 2.50 | 2.27 | 2.09 |
| | AI Turbo TwinJet | 120-0707 | 20 | 1.06 | 136 | 104.9 | 90.0 | 78.7 | 70.0 | 63.0 | 57.2 | 52.5 | 48.4 | 45.0 | 2.88 | 2.40 | 2.06 | 1.80 | 1.60 | 1.44 | 1.31 | 1.20 |
| | TurfJet** | 95-9226 | 40 | 1.50 | 192 | 148.5 | 127.3 | 111.4 | 99.0 | 89.1 | 81.0 | 74.3 | 68.5 | 63.6 | 4.08 | 3.40 | 2.91 | 2.55 | 2.27 | 2.04 | 1.85 | 1.70 |
| Green 1.5 gpm* | XRC | 117-5839 | 50 | 1.84 | 236 | 182.2 | 156.1 | 136.6 | 121.4 | 109.3 | 99.4 | 91.1 | 84.1 | 78.1 | 5.00 | 4.17 | 3.57 | 3.13 | 2.78 | 2.50 | 2.27 | 2.09 |
| | Tip Strainer - 50 | 120-0699 | 70 | 1.98 | 253 | 196.0 | 168.0 | 147.0 | 130.7 | 117.6 | 106.9 | 98.0 | 90.5 | 84.1 | 5.39 | 4.49 | 3.85 | 3.37 | 2.99 | 2.69 | 2.45 | 2.24 |

80 mesh 100-6992

50 mesh 100-8642
(Standard Equipment)

30 mesh 100-6991

QUICK REFERENCE GUIDE

NOZZLES



Multi Pro Spray Nozzle Selection Guide

| Color Code | Nozzle Options | Toro Part# | Spray Pressure | Flow in l/min Bar | Liters Per Hectare - 50 cm Spacing | | | | | | | | | |
|-------------------|--------------------|------------|----------------|-------------------|------------------------------------|--------|--------|--------|--------|--------|---------|---------|---------|--|
| | | | | | 4 km/h | 5 km/h | 6 km/h | 7 km/h | 8 km/h | 9 km/h | 10 km/h | 12 km/h | 14 km/h | |
| Red 0.4 gpm* | AIC | 120-0701 | 1.0 | 0.91 | 273 | 218 | 182 | 156 | 137 | 121 | 109 | 91.0 | 78.0 | 80 mesh 100-6992 |
| | AI Turbo TwinJet** | 120-0708 | 1.5 | 1.12 | 336 | 269 | 224 | 192 | 168 | 149 | 134 | 112 | 96.0 | |
| | TurfJet** | 95-9222 | 2.0 | 1.29 | 387 | 310 | 258 | 221 | 194 | 172 | 155 | 129 | 111 | |
| | XRC | 117-5834 | 3.0 | 1.58 | 474 | 379 | 316 | 271 | 237 | 211 | 190 | 158 | 135 | |
| | Tip Strainer - 50 | 120-0699 | 4.0 | 1.82 | 546 | 437 | 364 | 312 | 273 | 243 | 218 | 182 | 156 | |
| | | | 5.0 | 2.04 | 612 | 490 | 408 | 350 | 306 | 272 | 245 | 204 | 175 | |
| Brown 0.5 gpm* | AIC | 120-0702 | 1.0 | 1.14 | 342 | 274 | 228 | 195 | 171 | 152 | 137 | 114 | 97.7 | 50 mesh 100-8642 (Standard Equipment) |
| | AI Turbo TwinJet** | 120-0709 | 1.5 | 1.39 | 417 | 334 | 278 | 238 | 209 | 185 | 167 | 139 | 119 | |
| | TurfJet** | 95-9223 | 2.0 | 1.61 | 483 | 386 | 322 | 276 | 242 | 215 | 193 | 161 | 138 | |
| | XRC | 117-5835 | 3.0 | 1.97 | 591 | 473 | 394 | 338 | 296 | 263 | 236 | 197 | 169 | |
| | Tip Strainer - 50 | 120-0699 | 4.0 | 2.27 | 681 | 545 | 454 | 389 | 341 | 303 | 272 | 227 | 195 | |
| | | | 5.0 | 2.54 | 762 | 610 | 508 | 435 | 381 | 339 | 305 | 254 | 218 | |
| Gray 0.6 gpm* | AIC | 120-0703 | 1.0 | 1.37 | 411 | 329 | 274 | 235 | 206 | 183 | 164 | 137 | 117 | 30 mesh 100-6991 |
| | AI Turbo TwinJet** | 120-0710 | 1.5 | 1.68 | 504 | 403 | 336 | 288 | 252 | 224 | 202 | 168 | 144 | |
| | TurfJet** | 95-9224 | 2.0 | 1.94 | 582 | 466 | 388 | 333 | 291 | 259 | 233 | 194 | 166 | |
| | XRC | 117-5836 | 3.0 | 2.37 | 711 | 569 | 474 | 406 | 356 | 316 | 284 | 237 | 203 | |
| | Tip Strainer - 50 | 120-0699 | 4.0 | 2.74 | 822 | 658 | 548 | 470 | 411 | 365 | 329 | 274 | 235 | |
| | | | 5.0 | 3.06 | 918 | 734 | 612 | 525 | 459 | 408 | 367 | 306 | 262 | |
| White 0.8 gpm* | AIC | 120-0704 | 1.0 | 1.82 | 546 | 437 | 364 | 312 | 273 | 243 | 218 | 182 | 156 | |
| | AI Turbo TwinJet | 120-0711 | 1.5 | 2.23 | 669 | 535 | 446 | 382 | 335 | 297 | 268 | 223 | 191 | |
| | TurfJet** | 95-9225 | 2.0 | 2.58 | 774 | 619 | 516 | 442 | 387 | 344 | 310 | 258 | 221 | |
| | XRC | 117-5837 | 3.0 | 3.16 | 948 | 758 | 632 | 542 | 474 | 421 | 379 | 316 | 271 | |
| | Tip Strainer - 50 | 120-0699 | 4.0 | 3.65 | 1095 | 876 | 730 | 626 | 548 | 487 | 438 | 365 | 313 | |
| | | | 5.0 | 4.08 | 1224 | 979 | 816 | 699 | 612 | 544 | 490 | 408 | 350 | |
| Blue 1.0 gpm* | AIC | 120-0705 | 1.0 | 2.28 | 684 | 547 | 456 | 391 | 342 | 304 | 274 | 228 | 195 | |
| | AI Turbo TwinJet | 120-0712 | 1.5 | 2.79 | 837 | 670 | 558 | 478 | 419 | 372 | 335 | 279 | 239 | |
| | TurfJet** | 95-9188 | 2.0 | 3.23 | 969 | 775 | 646 | 554 | 485 | 431 | 388 | 323 | 277 | |
| | XRC | 117-5838 | 3.0 | 3.95 | 1185 | 948 | 790 | 677 | 593 | 527 | 474 | 395 | 339 | |
| | Tip Strainer - 50 | 120-0699 | 4.0 | 4.56 | 1368 | 1094 | 912 | 782 | 684 | 608 | 547 | 456 | 391 | |
| | | | 5.0 | 5.10 | 1530 | 1224 | 1020 | 874 | 765 | 680 | 612 | 510 | 437 | |
| Green 1.5 gpm* | AIC | 120-0706 | 1.0 | 3.42 | 1026 | 821 | 684 | 586 | 513 | 456 | 410 | 342 | 293 | |
| | AI Turbo TwinJet | 120-0713 | 1.5 | 4.19 | 1257 | 1006 | 838 | 718 | 629 | 559 | 503 | 419 | 359 | |
| | TurfJet** | 95-9226 | 2.0 | 4.83 | 1449 | 1159 | 966 | 828 | 725 | 644 | 580 | 483 | 414 | |
| | XRC | 117-5839 | 3.0 | 5.92 | 1776 | 1421 | 1184 | 1015 | 888 | 789 | 710 | 592 | 507 | |
| | Tip Strainer - 50 | 120-0699 | 4.0 | 6.84 | 2052 | 1642 | 1368 | 1173 | 1026 | 912 | 821 | 684 | 586 | |
| | | | 5.0 | 7.64 | 2292 | 1834 | 1528 | 1310 | 1146 | 1019 | 917 | 764 | 655 | |

* Recommended Valve Cal setting in Pro Control/XP: 46 for nozzles 0.2 gpm and 0.4 gpm. Use 23 for 0.5 gpm and higher.

** TurfJet and TwinJet Air nozzles are not compatible with the Toro Drift Reduction Boom Shroud. Application rates shown for nozzle selection purposes only. Verify actual rate before spraying. Speeds shown are for reference only. Always limit speed to maintain safe operation based on operating conditions.

TeeJet and TwinJet are registered trademarks of Spraying Systems Co.

QUICK REFERENCE GUIDE

TIRES

Greensmaster® - Walkers

| Equipment | Description | Tread | Application | Part No. |
|--------------------------------------|----------------------------|-----------|-------------|----------|
| Transport Wheel Kit | TIRE (12 X 3.25 - 6) 4-PLY | Block | - | 65-7940 |
| Transpro Trailer 80 / 100 | TIRE (20 X 10 - 8) 4-PLY | Turf Mate | - | 99-4506 |

Greensmaster® - Riders

| Equipment | Description | Tread | Application | Part No. |
|---|----------------------------|---------------|--------------|----------|
| Greensmaster 300 | TIRE (18 X 9.5 - 8) 2-PLY | Smooth | Front & Rear | 28-3680 |
| Greensmaster 3000 | TIRE (18 X 9.5 - 8) 2-PLY | Smooth | Front & Rear | 28-3680 |
| | TIRE (18 X 8.5 - 8) 4-PLY | Turf Traction | Front & Rear | 119-3516 |
| Greensmaster 3000D | TIRE (18 X 9.5 - 8) 2-PLY | Smooth | Front & Rear | 28-3680 |
| | TIRE (18 X 8.5 - 8) 4-PLY | Turf Traction | Front & Rear | 119-3516 |
| | TIRE (19 X 10.5 - 8) 2-PLY | Traction | Front & Rear | 70-8500 |
| Greensmaster 3050/3100/3150/3200 | TIRE (18 X 9.5 - 8) 2-PLY | Smooth | Front & Rear | 28-3680 |
| | TIRE (18 X 8.5 - 8) 4-PLY | Turf Traction | Front & Rear | 119-3516 |
| Greensmaster 3200D | TIRE (18 X 9.5 - 8) 2-PLY | Smooth | Front & Rear | 28-3680 |
| Greensmaster 3250D | TIRE (19 X 10.5 - 8) 2-PLY | Traction | Front & Rear | 70-8500 |
| | TIRE (20 X 10 - 8) 4-PLY | Turf Mate | Front & Rear | 99-4506 |
| Greensmaster 3300 / 3400 | TIRE (19 X 10.5) 4-PLY | Smooth | Front & Rear | 120-2783 |

Reelmaster®

| Equipment | Description | Tread | Application | Part No. |
|--|---|---------------|--------------|-----------------------|
| Reelmaster 216 / 216D | TIRE (18 X 8.5 - 8) 4-PLY | Turf Traction | Front | 119-3516 |
| | TIRE (18 X 6.5 - 8) 4-PLY (2WD) | Turf Traction | Rear | 231-122 |
| Reelmaster 2000D/2300D/2600D | TIRE (20 X 10 - 8) 4-PLY | Turf Mate | Front & Rear | 99-4506 |
| Reelmaster 3100D | TIRE (20 X 12 - 10) 4-PLY | Turf Trac R/S | Front | 117-5125 |
| | TIRE (20 X 10 - 10) 4-PLY | Turf Trac R/S | Front & Rear | 115-1572 |
| Reelmaster 3100D (2010 - Current) | TIRE (20 X 12 - 10) 4-PLY | Turf Traction | Front | 117-5125 |
| | TIRE (20 X 10 - 10) 4-PLY | Turf Traction | Rear | 115-1572 |
| Reelmaster 223D | TIRE (26 X 12 - 12) 4-PLY | Turf Traction | Front | 231-134 |
| Reelmaster 5100D/5300D | TIRE (26 X 12 - 12) 4-PLY | Turf Traction | Front | 231-134 |
| Reelmaster 5200D/5400D | TIRE (26 X 12 - 12) 4-PLY | Turf Traction | Front | 231-134 |
| | TIRE (26.5 X 14 - 12) 2-PLY | Ultra Trac | Front | 117-5196 |
| | TIRE (20 X 10 - 10) 6-PLY | Turf Traction | Rear | 86-5910 |
| Reelmaster 5500D | TIRE (26.5 X 14 - 12) 2-PLY | Ultra Trac | Front | 117-5196 |
| | TIRE (20 X 10 - 10) 6-PLY | Turf Traction | Rear | 86-5910 |
| Reelmaster 5210 | TIRE (24 X 13 - 12) 6-PLY (2006-MID 2008) | Ultra Trac | Front | 110-5132 |
| | TIRE (24 X 13 - 12) 4-PLY (MID 2008 & UP) | Ultra Trac | Front | 95-2638 |
| | TIRE (20 X 10 - 10) 6-PLY (2006) | Turf Traction | Rear | 86-5910 |
| | TIRE (20 X 10 - 10) 4-PLY (2007 & UP) | Turf Trac R/S | Rear | 115-1572 |
| Reelmaster 5010-H/5410/5510/5610 | TIRE (26.5 X 14 - 12) 2-PLY | Ultra Trac | Front | 117-5196 |
| | TIRE (20 X 12 - 10) 4-PLY | Turf Trac R/S | Rear | 117-5125 |
| | TIRE (20 X 12 - 10) 4-PLY | Smooth | Rear | 127-2796 [†] |
| | TIRE (26.5 X 14 - 12) 4-PLY | Smooth | Front | 133-2940 [†] |
| Reelmaster 6500D/6700D | TIRE (29 X 14 - 15) 6-PLY | Ultra Trac | Front | 95-3465 |
| | TIRE (29 X 14 - 15) 6-PLY | Ultra Trac | Front | 95-3465 |
| | TIRE (20 X 10 - 10) 6-PLY | Turf Traction | Rear | 86-5910 |
| Reelmaster 450D/4500D | TIRE (31 X 13.5 - 15) 4-PLY | Turf Traction | Front | 63-4480 |
| | TIRE (23 X 10.5 - 12) 6-PLY | Turf Traction | Rear | 69-9880 |
| Reelmaster 335D | TIRE (23 X 10.5 - 12) 6-PLY | Turf Traction | Front | 69-9880 |
| | TIRE (20 X 8 - 10) 6-PLY | Turf Traction | Rear | 74-5560 |
| Reelmaster 3500D | TIRE (26 X 12 - 12) 8-PLY | Turf Traction | Front | 86-5900 |
| | TIRE (20 X 10 - 10) 6-PLY | Turf Traction | Rear | 86-5910 |
| Reelmaster 3550D/3555/3575 | TIRE (22 X 12 - 12) 4-PLY | Smooth | Front & Rear | 120-2114 |
| | TIRE (22 X 12 - 12) 4-PLY | Turf Traction | Front & Rear | 121-7924 |
| Reelmaster 4000D | TIRE (31 X 13.5 - 15) 4-PLY | Turf Traction | Front | 63-4480 |
| | TIRE (23 X 10.5 - 12) 6-PLY | Turf Traction | Rear | 69-9880 |
| Reelmaster 7000D | TIRE (20 X 12 - 10) 4-PLY | Turf Traction | Rear | 117-5125 |
| | TIRE (31 X 13.5 - 15) 4-PLY | Turf Traction | Front | 63-4480 |

[†]Recommended for flat turf conditions

Gangmower

| Equipment | Description | Tread | Application | Part No. |
|-----------------------------------|-------------------------------------|---------|-------------|----------|
| Reelmaster Transport Frame | TIRE (11 - 15) 6-PLY | Ribbed | - | 56-7960 |
| Reelmaster Reel | TIRE (16 X 4 - 12) SEMI-PNEUMATIC | Chevron | - | 12-9390 |
| | TIRE (16 X 4.8 - 8) 2-PLY PNEUMATIC | Stud | - | 231-3 |
| | TIRE (18 X 4 - 12) SEMI-PNEUMATIC | Chevron | - | 51-2550 |

Groundsmaster[®]

| Equipment | Description | Tread | Application | Part No. |
|------------------------------------|---|----------------|--------------|----------|
| Groundsmaster 52/62/220 | TIRE (20 X 8 - 10) 4-PLY | Turf Traction | Front | 231-103 |
| Groundsmaster 220D | TIRE (23 X 8.5 - 12) 4-PLY | Turf Traction | Front | 231-101 |
| | TIRE (23 X 10.5 - 12) 4-PLY - WIDE WHEEL OPT. | Turf Saver | Front | 231-95 |
| | TIRE (16 X 6.5 - 8) 4-PLY RIBBED (2WD) | Ribbed | Rear | 231-105 |
| Groundsmaster 223D | TIRE (23 X 8.5 - 12) 4-PLY (STANDARD) | Turf Traction | Front | 231-101 |
| | TIRE (23 X 10.5 - 12) 4-PLY - WIDE WHEEL OPT. | Turf Saver | Front | 231-95* |
| | TIRE (23 X 10.5 - 12) 6-PLY - WIDE WHEEL OPT. | Turf Traction | Front | 69-9880* |
| | TIRE (16 X 6.5 - 8) 4-PLY RIBBED (2WD) | Ribbed | Rear | 231-105 |
| | TIRE (18 X 6.5 - 8) 4-PLY (4WD) | Turf Traction | Rear | 231-122 |
| Groundsmaster 224/225 | TIRE (23 X 8.5 - 12) 4-PLY (224 STANDARD) | Turf Traction | Front | 231-101 |
| | TIRE (23 X 8.5 - 12) 4-PLY (225 STANDARD) | Turf Traction | Front | 95-3348 |
| | TIRE (23 X 10.5 - 12) 4-PLY - WIDE WHEEL OPT. | Turf Saver | Front | 231-95* |
| | TIRE (23 X 10.5 - 12) 6-PLY - WIDE WHEEL OPT. | Turf Traction | Front | 69-9880* |
| | TIRE (16 X 6.5 - 8) 4-PLY | Ribbed | Rear | 231-105 |
| Groundsmaster 228D | TIRE (23 X 8.5 - 12) 4-PLY (STANDARD) | Turf Traction | Front | 95-3348 |
| | TIRE (23 X 8.5 - 12) 6-PLY | Turf Traction | Front | 231-138 |
| | TIRE (16 X 6.5 - 8) 4-PLY (2WD) | Ribbed | Rear | 231-105 |
| | TIRE (18 X 6.5 - 8) 4-PLY (4WD) | Turf Traction | Rear | 231-122 |
| Groundsmaster 322D/325D | TIRE (23 X 8.5 - 12) 4-PLY (STANDARD) | Turf Traction | Front | 231-101 |
| | TIRE (23 X 8.5 - 12) 6-PLY | Turf Traction | Front | 231-138 |
| | TIRE (23 X 10.5 - 12) 4-PLY - WIDE WHEEL OPT. | Turf Saver | Front | 231-95* |
| | TIRE (23 X 10.5 - 12) 6-PLY - WIDE WHEEL OPT. | Turf Traction | Front | 69-9880* |
| | TIRE (16 X 6.5 - 8) 4-PLY RIBBED (2WD) | Ribbed | Rear | 231-105 |
| | TIRE (18 X 6.5 - 8) 4-PLY (4WD) | Turf Traction | Rear | 231-122 |
| Groundsmaster 327 | TIRE (23 X 8.5 - 12) 4-PLY (STANDARD) | Turf Traction | Front | 231-101 |
| | TIRE (23 X 10.5 - 12) 4-PLY - WIDE WHEEL OPT. | Turf Saver | Front | 231-95* |
| | TIRE (23 X 10.5 - 12) 6-PLY - WIDE WHEEL OPT. | Turf Traction | Front | 69-9880* |
| | TIRE (16 X 6.5 - 8) 4-PLY | Ribbed | Rear | 231-105 |
| Groundsmaster 328D | TIRE (23 X 8.5 - 12) 4-PLY (STANDARD) | Turf Traction | Front | 95-3348 |
| | TIRE (23 X 10.5 - 12) 4-PLY - WIDE WHEEL OPT. | Turf Saver | Front | 231-95* |
| | TIRE (23 X 10.5 - 12) 6-PLY - WIDE WHEEL OPT. | Turf Traction | Front | 69-9880* |
| | TIRE (16 X 6.5 - 8) 4-PLY (2WD) | Ribbed | Rear | 231-105 |
| | TIRE (18 X 6.5 - 8) 4-PLY (4WD) | Turf Traction | Rear | 231-122 |
| Groundsmaster 345 | TIRE (23 X 8.5 - 12) 4-PLY (STANDARD) | Turf Traction | Front | 95-3348 |
| | TIRE (23 X 10.5 - 12) 4-PLY - WIDE WHEEL OPT. | Turf Saver | Front | 231-95* |
| | TIRE (23 X 10.5 - 12) 6-PLY - WIDE WHEEL OPT. | Turf Traction | Front | 69-9880* |
| | TIRE (16 X 6.5 - 8) 4-PLY | Ribbed | Rear | 231-105 |
| Groundsmaster 360 | TIRE (23 X 10.5 - 12) 6-PLY | Turf Trac | Front & Rear | 121-9072 |
| Groundsmaster 455D | TIRE (26 X 12 - 12) 8-PLY | Turf Traction | Front | 86-5900 |
| | TIRE (26 X 12 - 12) 6-PLY | Multi Trac C/S | Front | 99-5434 |
| | TIRE (20 X 10 - 10) 6-PLY | Turf Traction | Rear | 86-5910 |
| | TIRE (20 X 10 - 10) 6-PLY | Multi Trac C/S | Rear | 94-5236 |
| Groundsmaster 580D | TIRE (31 X 13.5 - 15) 8-PLY (STANDARD) | Turf Traction | Front | 69-9800 |
| | TIRE (23 X 10.5 - 12) 6-PLY | Turf Traction | Rear | 69-9880 |
| Groundsmaster 3000 | TIRE (25 X 10.5 - 15) 6-PLY | Turf Trac R/S | Front | 93-5431 |
| 3000D | TIRE (26.5 X 14 - 12) 2-PLY - WIDE WHEEL OPT. | Ultra Trac | Front | 117-5196 |
| | TIRE (24 X 13 - 12) 4-PLY | Ultra Trac | Front | 95-2638 |
| | TIRE (20 X 8 - 10) 6-PLY | Turf Traction | Rear | 74-5560 |
| | TIRE (18 X 8.5 - 10) 4-PLY | Multi Trac C/S | Rear | 95-2625 |
| Groundsmaster 3500D / 3505D | TIRE (20 X 12 - 10) 4-PLY | Turf Trac R/S | Front | 117-5125 |
| | TIRE (20 X 10 - 10) 4-PLY | Turf Trac R/S | Rear | 115-1572 |

*Do not use with 72" rear discharge cutting deck

*Not illustrated. **Not sold separately. See pages 20-33 for kit contents. Prices subject to change without notice. Please see your Parts Catalog or Master Parts Viewer to ensure the correct part is ordered, as the part you need may not be listed above. toro.com/parts

QUICK REFERENCE GUIDE

TIRES

Groundsmaster[®] - continued

| Equipment | Description | Tread | Application | Part No. |
|--|---|----------------|-------------|----------|
| Groundsmaster 3280D | TIRE (23 X 9.5 - 12) 4-PLY | Multi Trac C/S | Front | 117-0823 |
| | TIRE (23 X 10.5 - 12) 4-PLY - WIDE WHEEL OPT. | Turf Saver | Front | 231-95 |
| | TIRE (23 X 10.5 - 12) 6-PLY - WIDE WHEEL OPT. | Turf Traction | Front | 69-9880 |
| | TIRE (16 X 6.5 - 8) 4-PLY (2WD) | Ribbed | Rear | 231-105 |
| | TIRE (18 X 6.5 - 8) 4-PLY (4WD) | Turf Traction | Rear | 231-122 |
| Groundsmaster 3320 | TIRE (23 X 9.5 - 12) 4-PLY | Multi Trac C/S | Front | 117-0823 |
| | TIRE (23 X 10.5 - 12) 4-PLY - WIDE WHEEL OPT. | Turf Saver | Front | 231-95 |
| | TIRE (23 X 10.5 - 12) 6-PLY - WIDE WHEEL OPT. | Turf Traction | Front | 69-9880 |
| | TIRE (16 X 6.5 - 8) 4-PLY | Ribbed | Rear | 231-105 |
| Groundsmaster 4000D / 4100D | TIRE (26 X 12 - 12) 6-PLY | Multi Trac C/S | Front | 99-5434 |
| | TIRE (20 X 10 - 10) 6-PLY | Multi Trac C/S | Rear | 94-5236 |
| | TIRE (26 X 12 - 12) 6 PLY | Multi Trac C/S | Front | 119-8313 |
| | TIRE (26 X 12 - 12) 6 PLY | High Traction | Front | 136-4442 |
| | TIRE (20 X 10 - 10) 6 PLY | High Traction | Rear | 136-4440 |
| | TIRE (26.5 X 14 - 12) 2-PLY | Ultra Trac | Front | 117-5196 |
| Groundsmaster 4300D | TIRE (20 X 12 - 10) 4-PLY | Turf Trac R/S | Rear | 117-5125 |
| | TIRE (29 X 14 - 15) 6-PLY | Ultra Trac | Front | 95-3465 |
| Groundsmaster 4500D / 4700D | TIRE (20 X 12 - 10) 4-PLY | Turf Trac R/S | Rear | 117-5125 |
| | TIRE (29 X 14 - 15) 6-PLY | Turf | Front | 119-0023 |
| | TIRE (29 X 12.5 - 15) 10-PLY | Multi Trac C/S | Front | 114-4861 |
| Groundsmaster 5900 / 5910 | TIRE (23 X 10.5 - 12) 6-PLY | Multi Trac C/S | Rear | 121-9072 |
| | TIRE (24 X 12 - 12) 6-PLY | Lug | Rear | 103-6771 |

Aerator

| Equipment | Description | Tread | Application | Part No. |
|--|----------------------------|---------------|-------------|----------|
| Hydroject 3000/3010 | TIRE (18 X 9.5 - 8) 2-PLY | Smooth | Front | 28-3680 |
| | TIRE (18 X 9.5 - 8) 2-PLY | Smooth | Rear | 28-3680 |
| Hydroject 4000 (Tongue Hitch) | TIRE (16 X 6.5 - 8) 4-PLY | Ribbed | - | 231-105 |
| Hydrotote Trailer | TIRE (15 X 6 - 6) 2-PLY | Ribbed | - | 108-9955 |
| ProCore 648 Aerator | TIRE (19 X 10.5 - 8) 2-PLY | Traction | Front | 70-8500 |
| | TIRE (19 X 10.5 - 8) 2-PLY | Traction | Rear | 70-8500 |
| ProCore Processor | | Turf Traction | - | 114-7741 |

Workman[®]

| Equipment | Description | Tread | Application | Part No. |
|---|--|----------------|--------------|----------|
| Workman 1100 | TIRE (20 X 10 - 8) 4-PLY (2001-2003) | Turf Trac | Front | 99-7300 |
| | TIRE (22 X 9.5 - 10) 4-PLY (2004-2005) | Turf Trac | Front & Rear | 127-7435 |
| | TIRE (22.5 X 10 - 8) 4-PLY (2001-2003) | Turf Trac R/S | Rear | 108-7007 |
| Workman MD / MDE | TIRE (22 X 9.5 - 10) 4-PLY | Turf Trac | Front & Rear | 127-7435 |
| Workman 2100 | TIRE (22 X 9.5 - 10) 4-PLY (2004-2005) | Turf Trac | Front & Rear | 127-7435 |
| | TIRE (22.5 X 10 - 8) 4-PLY (1999-2003) | Turf Trac R/S | Rear | 108-7007 |
| Workman 2110 | TIRE (22 X 9.5 - 10) 4-PLY | Turf Trac R/S | Front | 104-7064 |
| | TIRE (24 X 12 - 10) 4-PLY | Turf Trac R/S | Rear | 131-6667 |
| | TIRE (24 X 12 - 10) 4-PLY | Turf Trac R/S | Rear | 131-6667 |
| | TIRE (22 X 9.5 - 10) 4-PLY | Multi Trac C/S | Front & Rear | 127-7435 |
| | TIRE (22.5 X 10 - 8) 4-PLY | Turf Trac R/S | Front & Rear | 108-7007 |
| | TIRE (20 X 10 - 8) 4-PLY | Turf | Front & Rear | 131-8318 |
| Workman MDX/MDX-D | TIRE (22 X 9.5 - 10) 4-PLY | Turf Trac | Front | 127-7435 |
| | TIRE (24 X 12 - 10) 4-PLY | Turf Trac R/S | Rear | 131-6667 |
| Workman Series 3000 4000 | TIRE (20 X 10 - 10) 4-PLY | Ribbed | Front | 94-5261 |
| | TIRE (20 X 10 - 10) 6-PLY (4WD) | Multi Trac C/S | Front | 94-5236 |
| | TIRE (20 X 10 - 10) 6-PLY | Chevron | Front | 112-3163 |
| | TIRE (23 X 10.5 - 12) 4-PLY | Turf Trac R/S | Rear | 87-3290 |
| | TIRE (24 X 13 - 12) 6-PLY (1993-2001) | Chevron | Rear | 110-5132 |

Workman® - continued

| Equipment | Description | Tread | Application | Part No. |
|--|-----------------------------|----------------|-------------|----------|
| Workman HD / HDX HDX-D / HDX-Auto | TIRE (20 X 9 - 12) 6-PLY | Tuff Trac | Front | 131-6670 |
| | TIRE (24 X 12 - 12) 6-PLY | Multi Trac C/S | Rear | 131-6673 |
| | TIRE (24 X 13 - 12) 6-PLY | Ultra Trac | Rear | 110-5132 |
| | TIRE (23 X 10.5 - 12) 4-PLY | Saw Tooth | Rear | 99-1091 |
| Workman Boom Enclosure | TIRE (15 X 6 - 6) 2-PLY | Ribbed | - | 108-9955 |
| Workmaster | TIRE (18 X 8.5 - 8) 4-PLY | Ribbed | Front | 119-6343 |
| | TIRE (23 X 8.5 - 12) 4-PLY | Turf Traction | Rear | 231-101 |

Multi Pro®

| Equipment | Description | Tread | Application | Part No. |
|---|-----------------------------|---------------|-------------|----------|
| Multi Pro 1100 / 1200 / 1250 | TIRE (18 X 9.5 - 8) 4-PLY | Smooth | Front | 110-5133 |
| | TIRE (18 X 9.5 - 8) 4-PLY | Ribbed | Front | 106-9691 |
| | TIRE (24 X 13 - 12) 6-PLY | Ultra Trac | Rear | 110-5132 |
| Multi Pro 1750 | Tire (20 x 10 - 10) 4-Ply | Smooth | Front | 120-7639 |
| | Tire (24 x 13 - 12) 6-Ply | Turf | Rear | 110-5132 |
| Multi Pro 5200 / 5500 / 5600 / 5700D | TIRE (23 X 10.5 - 12) 4-PLY | Turf Trac R/S | Front | 87-3290 |
| | TIRE (26.5 X 14 - 12) 2-PLY | Ultra Trac | Rear | 117-5196 |
| Multi Pro 5800D | TIRE (23 X 10.5 - 12) 4-PLY | Turf Trac | Front | 119-6021 |
| | TIRE (26.5 X 14 - 12) 2-PLY | Turf Trac | Rear | 117-5196 |
| Multi Pro Boom Enclosure | TIRE (15 X 6 - 6) 2-PLY | Ribbed | - | 108-9955 |

Specialty Turf Equipment

| Equipment | Description | Tread | Application | Part No. |
|-----------------------------------|-----------------------------|---------------|-------------|----------|
| Rak-O-Vac Sweeper | TIRE (11L-15SL) | Ribbed | - | 119-6225 |
| Turf Sweeper 4800 | TIRE (18 X 8.5 - 8) 4-PLY | Ribbed | Front | 119-6343 |
| | TIRE (18 X 9.5 - 8) 4-PLY | Turf Traction | Rear | 99-2996 |
| Debris Blower 800 | TIRE (20 X 10 - 8) 4-PLY | Turf Trac R/S | - | 99-7300 |
| Pro Force Debris Blower | TIRE (18.2 X 8.5 - 8) 4-PLY | Turf Traction | - | 119-3009 |
| Topdresser 2300 | TIRE (18 X 8.5 - 8) 4-PLY | Ribbed | - | 119-6343 |
| Topdresser 2500 | TIRE (18 X 9.5 - 8) 4-PLY | Multi Ribbed | - | 106-9691 |
| 300T Trailer Sprayer | TIRE (29 X 14 - 15) 6-PLY | Ultra Trac | - | 95-3465 |
| ProCore Core Processor | TIRE (18 X 9.5 - 8) 6-PLY | Turf Traction | - | 114-7741 |

Sand Pro® / Infield Pro

| Equipment | Description | Tread | Application | Part No. |
|--|---------------------------|---------------|--------------|----------|
| Sand Pro | TIRE (22 X 11 - 8) 2-PLY | Knobby | Front & Rear | 85-8290 |
| Sand Pro 2000 | TIRE (22 X 11 - 8) 2-PLY | Knobby | Front & Rear | 85-8290 |
| Sand Pro 2020 / 3000 / 3020 / 5000 / 5020 | TIRE (22 X 11 - 8) 2-PLY | Knobby | Front & Rear | 85-8290 |
| | TIRE (22 X 11 - 8) 2-PLY | Turf Trac R/S | Front & Rear | 121-9072 |
| Sand/Infield Pro 3040 / 5040 | TIRE (22 X 11 - 8) 2-PLY | Knobby | Front & Rear | 85-8290 |
| | TIRE (22 X 11 - 8) 2-PLY | Turf Trac R/S | Front & Rear | 121-9072 |
| | TIRE (22 X 11 - 8) 2-PLY | Smooth | Front & Rear | 110-3364 |
| Sand Pro 2040Z | TIRE (16 X 7.5 - 8) 4-PLY | Turf Traction | Front | 125-6406 |
| | TIRE (25 X 12 - 9) 3-PLY | Turf Traction | Rear | 125-6465 |
| GreensPro® 1200 | TIRE (16 X 6.5-8) 4-PLY | Turf | - | 111-5755 |

QUICK REFERENCE GUIDE

ROLLERS

Groundsmaster®

| Equipment | Description | Part No. |
|---|---|-------------|
| Groundsmaster 3500D/3505D/4000D/ 4100D/4500D/4700D/ 5900D/5910/ 7200/ 7210/360 | ROLLER ASM - UHMW* | 131-7800 |
| | BALLAST KIT - UHMW ROLLER, 27" CU | 136-2881 |
| | BALLAST KIT - UHMW ROLLER, 22" CU | 136-2915 |
| | ROLLER ASSEMBLY | 136-2908 |
| | ROLLER AND BRACKET KIT | 112-5291 |
| | ROLLER ASSEMBLY (2007 & UP) | 112-5265 |
| | CENTER DECK ROLLER | 93-4803 |
| | CENTER DECK ROLLER | 68-6710 |
| | PLASTIC ROLLER (GM 4500D/4700D) | 105-9816 |
| | ROLLER (GM 3500D/4300/4500D/4700D) | 104-1093 |
| | ROLLER (GM 4000D/4100D/7200/7210) | 29-4820 |
| | Groundsmaster 200/300 Series | REAR ROLLER |
| FRONT ROLLER | | 68-6710 |
| FRONT ROLLER (GM 300 SERIES) | | 31-0750 |
| WHEEL GAGE (GM 300 SERIES) | | 93-4747 |

Greensmaster® - Walkers

| Equipment | Description | Length (inches) | Part No. |
|---|---|-----------------|----------|
| Greensmaster 800 1000/1600 2000/2600 | WIDE WIEHLE ROLLER ASSEMBLY (GR 800) | 19.1 | 98-7264 |
| | NARROW WIEHLY ROLLER ASSEMBLY (GR 800) | 19.1 | 99-6240 |
| | WIDE WIEHLE ROLLER ASSEMBLY - CAST (GR 1000) | 22.15 | 71-1550 |
| | WIEHLE ROLLER ASSEMBLY - ALUMINUM (GR 1000) | 22.15 | 88-6790 |
| | WIEHLE ROLLER ASSEMBLY - 0.20" SPACING (GR 1000/2000) | 22.15 | 99-6241 |
| | WIEHLE ROLLER ASSEMBLY (GR 1600/2600) | 27.31 | 93-9039 |
| | SWAGED ROLLER ASSEMBLY (GR 1000) | 22.15 | 52-3590 |
| | FULL ROLLER ASSEMBLY (GR 1000) | 22.15 | 52-3170 |
| | FULL ROLLER ASSEMBLY (GR 1600) | 27.31 | 95-0930 |
| | FULL ROLLER ASSEMBLY (GR 800) | 19.1 | 104-2640 |
| | FULL ROLLER ASSEMBLY 21" (GR 1000) | 22.15 | 104-2642 |
| Greensmaster Flex 18/21 | FULL REAR ROLLER ASSEMBLY (FLEX 21) | 22.15 | 115-7356 |
| | WIEHLE ROLLER ASSEMBLY - WIDE SPACING (FLEX 21) | 22.15 | 115-7386 |
| | WIEHLE ROLLER ASSEMBLY - NARROW SPACING (FLEX 21) | 22.15 | 115-7360 |
| | WIEHLE ROLLER TUBE - NARROW SPACING | 22.15 | 104-0540 |
| | 2.5" FULL ROLLER ASSEMBLY (FLEX 18) | 19.15 | 120-9611 |
| | TUBE - 2" FULL ROLLER (FLEX 18) | 19.15 | 110-2220 |
| | WIEHLE ROLLER ASSEMBLY - WIDE SPACING (FLEX 18) | 19.15 | 120-9609 |
| | TUBE - WIEHLE NARROW SPACING (FLEX 18) | 19.15 | 110-2221 |
| | TUBE - WIEHLE WIDE SPACING (FLEX 18) | 19.15 | 110-2227 |
| | AUXILIARY ROLLER ASSEMBLY | N/A | 108-4339 |
| | ROLLER - AUXILIARY | N/A | 108-4334 |
| | WIDE WIEHLE ROLLER KIT | 19.15 | 120-9609 |
| | STEEL ROLLER | 22.15 | 107-3509 |
| | FULL ROLLER ASSEMBLY (FLEX 21) | 22.15 | 115-7356 |

Greensmaster® - Riders

| Equipment | Description | Length (inches) | Part No. |
|---|---|-----------------|----------|
| Greensmaster 3/300/3000 Style Cutting Units* | REAR ROLLER ASSEMBLY | N/A | 52-3120 |
| | REAR ROLLER ASSEMBLY | 21.62 | 21-8450 |
| | WIEHLE ROLLER ASSEMBLY (1989 & OLDER) | 22.15 | 52-3200 |
| | WIEHLE ROLLER ASSEMBLY - CAST (1990 & UP) | 22.15 | 71-1550 |
| | WIEHLE ROLLER ASSEMBLY - ALUMINUM (1990 & UP) | 22.15 | 88-6790 |
| | SWAGED ROLLER | 22.15 | 52-3590 |
| | FULL ROLLER ASSEMBLY | 22.15 | 52-3170 |
| | STEEL ROLLER | 22.15 | 107-3509 |

QUICK REFERENCE GUIDE

ROLLERS

Greensmaster® - Riders - continued

| Equipment | Description | Length (inches) | Part No. |
|---|---|-----------------|----------|
| Greensmaster 3200/3250 Cutting Units | REAR ROLLER ASSEMBLY (4 BOLT ADJUSTMENT CUTTING UNIT) | 20.75 | 95-2910 |
| | ANTI-SCALP ROLLER GR 3250 | N/A | 99-4210 |
| | FULL ROLLER ASSEMBLY | 22.15 | 120-9595 |
| | WIEHLE ROLLER TUBE | 22.15 | 104-0540 |
| | WIEHLE ROLLER ASSEMBLY (0.20" SPACING) | 22.15 | 115-7360 |
| | WIEHLE ROLLER ASSEMBLY (0.93" SPACING) | 22.15 | 115-7386 |
| | STEEL ROLLER (3250) | 22.15 | 107-3509 |
| Greensmaster Dethatcher/Tri-Roller/Spiker Assemblies | ROLLER ASSEMBLY | 19.38 | 95-5943 |
| | ANTI-SCALP ROLLER | N/A | 99-4210 |
| | REAR ROLLER ASSEMBLY (SPIKER/TRI-ROLLER) | 20.75 | 99-1615 |
| Greensmaster 3300/3320/3400/3420 | REAR FULL ROLLER ASSEMBLY | 22.15 | 119-4093 |
| | STEEL ROLLER | 22.15 | 107-3509 |

Reelmaster®

| Equipment | Description | Length (inches) | Part No. |
|---|--|-----------------|-------------|
| Reelmaster 216/216D/2000D/2300D/2600D/3100D | 27" ROLLER ASSEMBLY | N/A | 61-0410 |
| | 32" SOLID ROLLER ASSEMBLY | N/A | 94-4982 |
| | 27" WIEHLE ROLLER TUBE | 27.78 | 104-1386-03 |
| | 32" WIEHLE ROLLER TUBE | 32.4 | 104-1389-03 |
| | 27" WIEHLE ROLLER ASSEMBLY (1993- 2002) | 27.64 | 92-1846 |
| | 27" WIEHLE ROLLER ASSEMBLY (2003 AND UP) | 27.75 | 104-1385 |
| | 27" VERTICUTTER ROLLER RM 3100D (2006 AND UP) | N/A | 108-4293 |
| | 27" FULL FRONT ROLLER ASSEMBLY (2010 & UP) | 27.00 | 117-3759 |
| | 27" REAR ROLLER ASSEMBLY (2010 & UP) | 27.00 | 117-3756 |
| | 27" PLASTIC SHOULDER ROLLER (2010 & UP) | 27.00 | 119-0631 |
| | 32" WIEHLE ROLLER ASSEMBLY (1993 - 2002) | 32.4 | 94-4993 |
| | 32" WIEHLE ROLLER ASSEMBLY (2003 AND UP) | 32.4 | 104-1388 |
| | 32" FULL FRONT ROLLER ASSEMBLY (2010 & UP) | N/A | 114-9384 |
| | 32" WIEHLE ROLLER ASSEMBLY (2010 & UP) | N/A | 117-0990 |
| 32" PLASTIC SHOULDER ROLLER ASM (2010 & UP) | 32.62 | 119-0640 | |
| Reelmaster 335D/3500D/450D/4500D | REAR ROLLER ASSEMBLY | 30.1 | 59-5630 |
| | WIEHLE ROLLER ASSEMBLY (34.25" ROLLER) | 2.75 | 62-6130 |
| | WIEHLE ROLLER ASSEMBLY (33.25" ROLLER) | 33.25 | 84-6080 |
| | FRONT ROLLER ASSEMBLY (33.25" ROLLER) | 30.1 | 59-5630 |
| Reelmaster 223D/5100D/5200D/5300D/ 5500D | WIEHLE ROLLER ASSEMBLY | 23.22 | 75-1520 |
| | PREMIUM REAR ROLLER ASSEMBLY | 19.24 | 94-0694 |
| | ROLLER ASSEMBLY | 21.872 | 100-2536 |
| Reelmaster Dethatching Reel Parts 223D/5100D/5200D/5300D/5500D | REAR ROLLER ASSEMBLY | 23 | 114-5404 |
| | WIEHLE ROLLER ASSEMBLY | 23.22 | 75-1520 |
| Reelmaster 5010-H/5210/5410/5510/5610 | 2.5" SHORT REAR ROLLER ASSEMBLY (RM 5210/5410 2006-07) | 20.5 | 114-5406 |
| | 2.5" LONG REAR ROLLER ASSEMBLY (RM 5210/5410 2006-07) | 23 | 114-5404 |
| | 3" LONG REAR ROLLER ASSEMBLY (RM 5210/5410 2006 & UP) | 23 | 114-5415 |
| | 2.5" SHORT REAR ROLLER ASSEMBLY (RM 5210/5410 2008 & UP) | 20.5 | 114-5406 |
| | 3" SHORT REAR ROLLER ASSEMBLY (RM 5210/5410 2008 & UP) | 20.5 | 114-5417 |
| | 2.5" LONG REAR ROLLER ASSEMBLY (RM 5210/5410 2008 & UP) | 23 | 114-5404 |
| | 2.5" SHORT REAR ROLLER TUBE (RM 5210/5410 2008 & UP) | 17.875 | 115-8293-03 |
| | 3" LONG REAR ROLLER TUBE (RM 5210/5410 2008 & UP) | 20.375 | 115-8292-03 |
| | 3" FULL FRONT ROLLER ASSEMBLY (RM 5210/5410/5510/5610 2006-07) | 24.5 | 110-9605 |
| | 3" FULL FRONT ROLLER ASSEMBLY (RM 5210/5410/5510/5610 2008 & UP) | 24.5 | 114-5412 |
| | 2.5" FULL FRONT ROLLER ASSEMBLY | 24.5 | 114-5419 |
| | 3" FRONT FULL ROLLER TUBE (RM 5210/5410/5510/5610 2006-07) | 24.5 | 110-9612-03 |
| | 2.5" FULL FRONT ROLLER TUBE (RM 5210/5410/5510/5610 2008 & UP) | 21.875 | 115-8295-03 |
| | PLASTIC SHOULDER FRONT ROLLER ASSEMBLY (2008 & UP) | 24.5 | 114-5421 |
| | FRONT PLASTIC SHOULDER ROLLER TUBE (2008 & UP) | 24.5 | 114-5422 |
| | PLASTIC WIEHLE FRONT ROLLER ASSEMBLY | 24.5 | 114-5400 |
| | PLASTIC WIEHLE FRONT ROLLER ASSEMBLY (2008 & UP) | 24.5 | 114-5401 |
| | KICKSTAND ROLLER (VERTICUTTER) | N/A | 108-4293 |

QUICK REFERENCE GUIDE

ROLLERS

Reelmaster[®] - continued

| Equipment | Description | Length (inches) | Part No. |
|--|--|-----------------|-------------|
| Reelmaster 5500D/6500D/6700D | 3" FULL REAR LONG ROLLER ASSEMBLY | 23 | 114-5415 |
| | 3" FULL ROLLER ASSEMBLY | 23 | 99-5749 |
| | REAR ROLLER ASSEMBLY 2.5" X 20.5" | 20.5 | 98-7966 |
| | ROLLER TUBE ASSEMBLY | N/A | 94-4335 |
| | WIEHLE ROLLER ASSEMBLY | 23.82 | 99-8686 |
| | WIEHLE ROLLER TUBE ASSEMBLY | 23 | 100-9905-03 |
| | WIEHLE ROLLER ASSEMBLY | 23 | 100-9906 |
| Reelmaster 6500D/6700D DPA Cutting Unit and Verticutter Rollers | SHOULDER WIEHLE ROLLER ASSEMBLY | 23 | 99-8675 |
| | 3" LONG REAR ROLLER ASSEMBLY (2007 & UP) | 23 | 114-5415 |
| | 2.5" LONG REAR ROLLER ASSEMBLY | 23 | 114-5404 |
| | 3" SHORT REAR ROLLER ASSEMBLY (2008 & UP) | 20.5 | 114-5417 |
| | 3" LONG REAR ROLLER TUBE (2008) | 20.375 | 115-8292-03 |
| | 3" LONG REAR ROLLER TUBE (2009 & UP) | 20.375 | 115-8292-03 |
| | PLASTIC WIEHLE FRONT ROLLER ASSEMBLY | 24.5 | 114-5400 |
| | FRONT PLASTIC WIEHLE ROLLER TUBE (2008 & UP) | 24.5 | 114-5401 |
| | PLASTIC SHOULDER FRONT ROLLER ASSEMBLY (2008 & UP) | 24.5 | 114-5421 |
| | FRONT PLASTIC SHOULDER ROLLER TUBE (2008 & UP) | 24.5 | 114-5422 |
| | 3" FULL FRONT ROLLER ASSEMBLY (2007) | 24.5 | 110-9605 |
| | 3" FULL FRONT ROLLER ASSEMBLY | 24.5 | 114-5412 |
| | 3" FULL FRONT ROLLER TUBE (2007) | 24.5 | 110-9612-03 |
| | 2.5" FULL FRONT ROLLER TUBE (VERTICUTTER) | 24.5 | 114-5419 |
| Reelmaster 7000D | PLASTIC SHOULDER ROLLER ASSEMBLY | 28 | 119-0630 |
| | PLASTIC WIEHLE ROLLER ASSEMBLY | 28 | 117-0960 |
| | FULL FRONT ROLLER ASSEMBLY | 28 | 114-9383 |
| | 3" REAR ROLLER ASSEMBLY (DPA) | 28 | 112-8915 |
| | SHORT REAR ROLLER ASSEMBLY | 20.5 | 119-4286 |
| | PLASTIC SHOULDER ROLLER | 32.6 | 119-0641 |
| | 3" ROLLER TUBE ASSEMBLY | 20.375 | 115-8292-03 |
| | PLASTIC WIEHLE ROLLER (27") | 28 | 117-0959 |
| | PLASTIC WIEHLE ROLLER (32") | 32.6 | 117-0989 |
| | 27" FULL FRONT ROLLER ASSEMBLY (2011 & UP) | 27.00 | 117-3759 |
| | 27" REAR ROLLER ASSEMBLY (2011 & UP) | 27.00 | 117-3756 |
| | 27" PLASTIC SHOULDER ROLLER (2011 & UP) | 27.00 | 119-0631 |
| | 32" FULL FRONT ROLLER ASSEMBLY (2010 & UP) | N/A | 114-9384 |
| | 32" WIEHLE ROLLER ASSEMBLY (2010 & UP) | N/A | 117-0990 |
| 32" PLASTIC SHOULDER ROLLER ASM (2010-2017) | 32.62 | 119-0640 | |
| Reelmaster 3550/3555/3575 | PLASTIC WIEHLE ROLLER ASSEMBLY (18") | 20.5 | 112-1704 |
| | FULL FRONT ROLLER ASSEMBLY (18") | 20.5 | 112-1732 |
| | PLASTIC SHOULDER ROLLER ASSEMBLY (18") | 20.5 | 112-1733 |
| | PLASTIC WIEHLE ROLLER ASSEMBLY (22") | 24.5 | 114-5400 |
| | FULL FRONT ROLLER ASSEMBLY (22") | 24.5 | 114-5412 |
| | PLASTIC SHOULDER ROLLER ASSEMBLY (22") | 24.5 | 114-5421 |
| | SHORT REAR ROLLER ASSEMBLY (18") | 17 | 112-1708 |
| | LONG REAR ROLLER ASSEMBLY (18") | 19 | 112-1728 |
| | LONG REAR ROLLER ASSEMBLY (22" - 2.5" DIA) | 23 | 114-5404 |
| | SHORT REAR ROLLER ASSEMBLY (22" - 2.5" DIA) | 20.5 | 114-5406 |

Other

| Equipment | Description | Part No. |
|------------------|---|-------------|
| ProCore | REAR ROLLER KIT (PROCORE 648) | 110-4444 |
| | REAR ROLLER KIT (PROCORE SR75) | 121-6903-03 |
| | ROLLER ASSEMBLY (PROCORE 864) | 110-4252-03 |
| SandPro | ROLLER ASSEMBLY (SANDPRO 3040/5040) | 136-2908 |
| | ROLLER DRIVE ASSEMBLY (SANDPRO 3040/5040) | 104-1093 |
| ProStripe | REAR ROLLER (PROSTRIPE 560) | 560031W |

GREENSMASTER®

74 Greensmaster 1000/1600/2000/2600

82 Greensmaster Flex™ & eFlex® 18/21

88 Greensmaster 3100

90 Greensmaster 3150/3120

92 Greensmaster 3250

107 Greensmaster TriFlex™ & TriFlex™ Hybrid

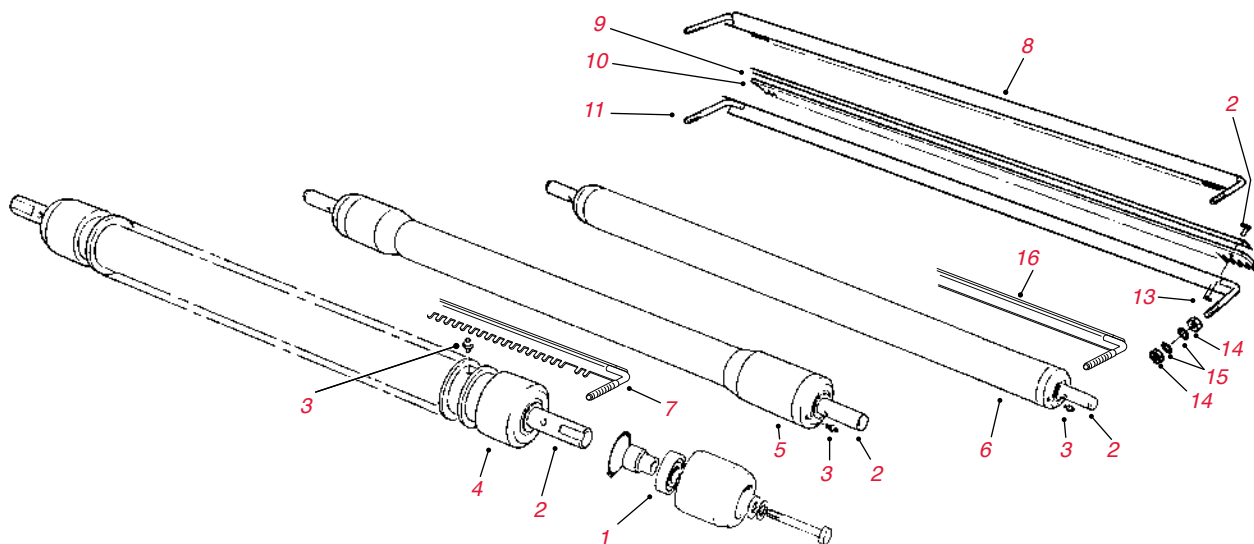


GREENSMATER — WALKERS

GREENSMATER® 1000 / 1600 / 2000 / 2600

Greensmaster 1000 / 1600 / 2000 / 2600

| Ref. No. | Part No. | Description | Qty. |
|----------|-------------------|---|------------|
| 1 | 251-190 | ORDER 251-293 | 2 |
| 1 | 251-293 | BEARING - AUXILIARY ROLLER (GR 1000) | 2 |
| 2 | 52-3210 | ORDER 52-3180 | 2 |
| 2 | 52-3180 | BEARING ROLLER | 2 |
| 3 | 302-5 | GREASE FITTING | 2 |
| 4 | 98-7264 | WIDE WIEHLE ROLLER ASSEMBLY (GR 800) | 1 |
| 4 | 99-6240 | NARROW WIEHLE ROLLER ASSEMBLY (GR 800) | 1 |
| 4 | 71-1550 | WIDE WIEHLE ROLLER ASSEMBLY - CAST (GR 1000) | 1 |
| 4 | 88-6790 | WIEHLE ROLLER ASSEMBLY - ALUMINUM (GR 1000) | 1 |
| 4 | 99-6241 | WIEHLE ROLLER ASSEMBLY - 0.20" SPACING (GR 1000/2000) | 1 |
| 4 | 93-9039 | WIEHLE ROLLER ASSEMBLY (GR 1600/2600) | 1 |
| * | 107-1589** | Roller Rebuild MVP Kit | A/R |
| 5 | 10-5000 | ORDER 52-3590 | 1 |
| 5 | 21-6470 | ORDER 52-3590 | 1 |
| 5 | 52-3590 | SWAGED ROLLER ASSEMBLY (GR 1000) | 1 |
| * | 107-1588** | Roller Rebuild MVP Kit | A/R |
| 6 | 21-6440 | ORDER 52-3170 | 1 |
| 6 | 52-3170 | FULL ROLLER ASSEMBLY (GR 1000) | 1 |
| 6 | 95-0930 | FULL ROLLER ASSEMBLY (GR 1600) | 1 |
| 6 | 98-5917 | ORDER 104-2640 | 1 |
| 6 | 104-2640 | FULL ROLLER ASSEMBLY (GR 800) | 1 |
| 6 | 104-2642 | FULL ROLLER ASSEMBLY 21" (GR 1000) | 1 |
| 8 | 33-1000 | SCRAPER BRUSH (GR 1000) | 1 |
| 10 | 8-2530 | URETHANE COMB | 1 |
| 11 | 11-0070 | SCRAPER COMB (GR 1000) | 1 |
| * | 3249-3 | SCREW | 11 |
| 13 | 3296-9 | NUT | 11 |
| 14 | 3219-1 | NUT | 4 |
| 15 | 3254-8 | LOCK WASHER | 4 |
| 16 | 65-8360-01 | ROLLER SCRAPER - SMOOTH (GR 1000) | 1 |



GREENSMASTER — WALKERS

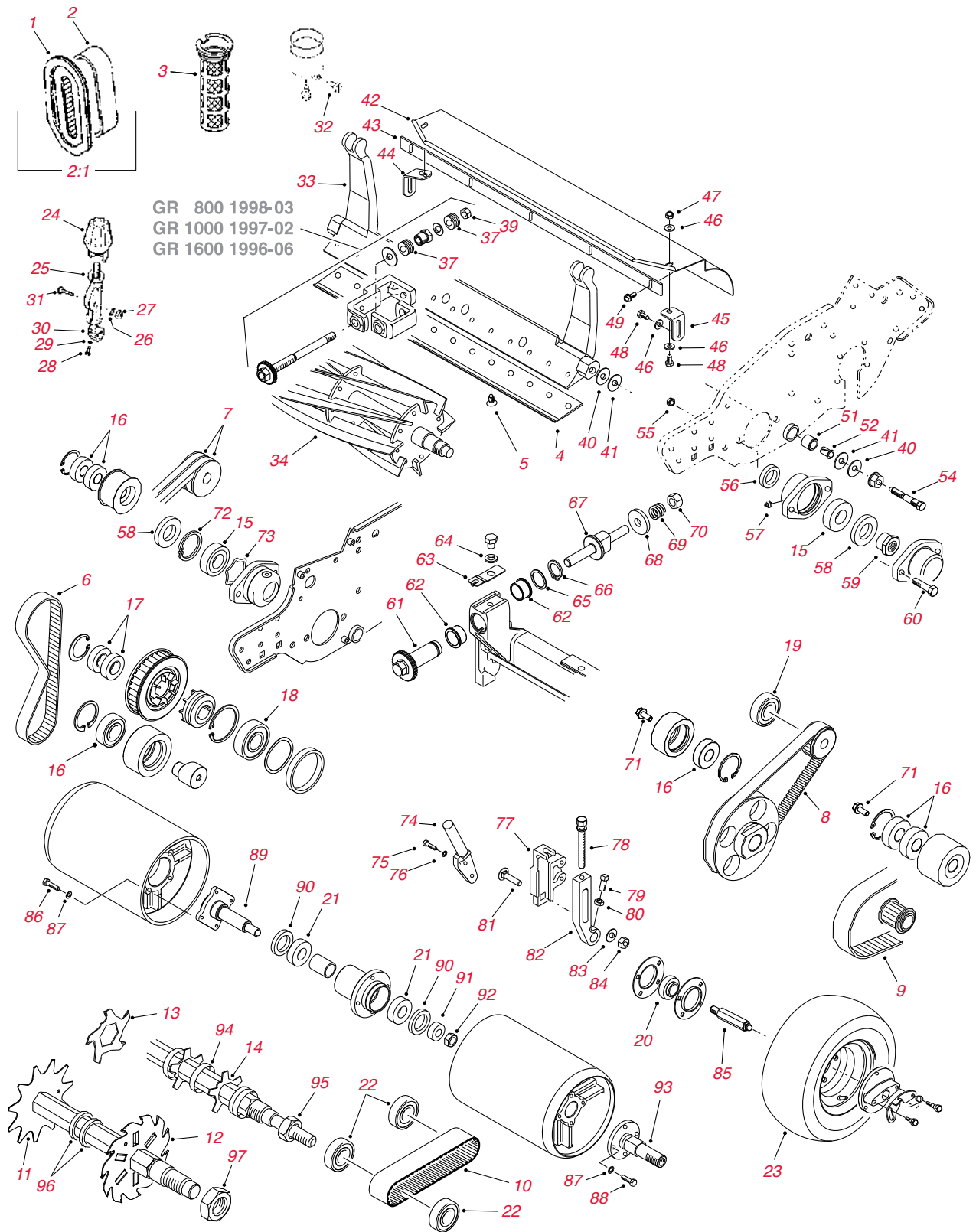
GREENSMASTER[®] 1000 / 1600 / 2000 / 2600

Greensmaster 1000 / 1600 / 2000 / 2600 - continued

| Ref. No. | Part No. | Description | Qty. |
|----------|----------------|--|------------|
| * | 93-8636 | ELEMENT - AIR FILTER | 1 |
| * | 93-8637 | PRE CLEANER - AIR FILTER | 1 |
| * | 30065** | Filter & Spark Plug MVP Kit | A/R |
| * | 94-6826 | FILTER - FUEL | 1 |
| * | 95-1811 | V-BELT - TRANSMISSION TO CLUTCH | 1 |
| * | 254-68 | BEARING CONE | 2 |
| * | 254-67 | BEARING CUP | 2 |
| * | 253-120 | SEAL | 2 |
| * | 4-2219 | REEL | 1 |
| * | 119-4151 | BEDKNIFE SCREW | 6 |
| * | 88-8990 | BEDKNIFE - HIGH TOURNAMENT-CUT | 1 |
| * | 88-9000 | BEDKNIFE - LOW TOURNAMENT-CUT | 1 |
| * | 95-3147 | BEDKNIFE - MICRO CUT | 1 |
| * | 5-1382 | ROLLER ASSEMBLY | 1 |
| * | 104-9838 | GRIP-FOAM (GR 2000/2600 - 2008-2011) | 2 |
| * | 88-7840 | PULLEY AND DRIVE ASM | 1 |
| * | 94-5879 | CABLE - CLUTCH | 1 |

GREENSMMASTER — WALKERS

GREENSMMASTER® 1000 / 1600 / 2000 / 2600

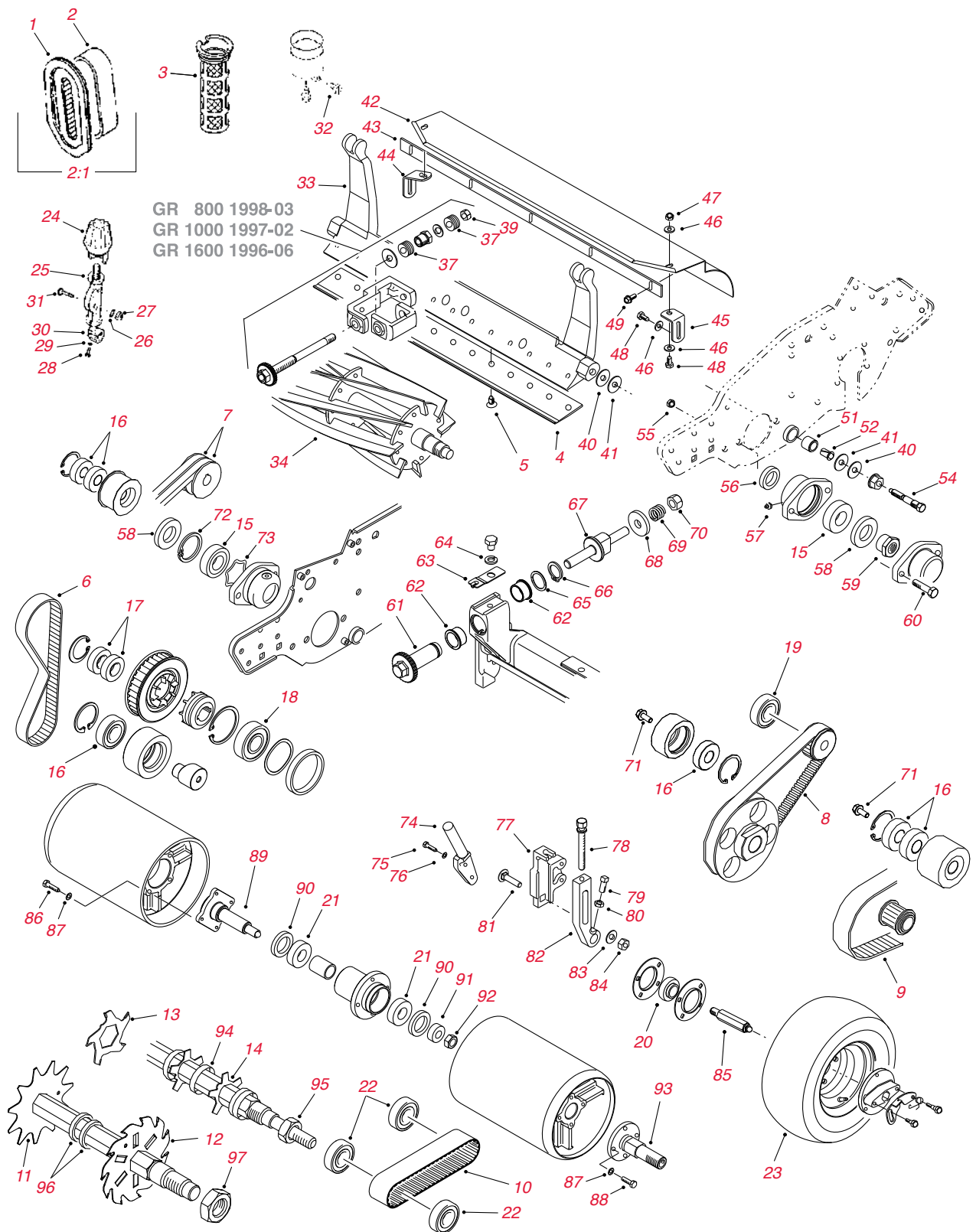


Greensmaster 1000 / 1600 / 2000 / 2600 - continued

| Ref. No. | Part No. | Description | Qty. |
|----------|----------------|---|------------|
| 1 | 93-8636 | ELEMENT - AIR (1995 - 2011) | 1 |
| 2 | 93-8637 | PRE CLEANER - AIR (1995- 2011) | 1 |
| * | 30065** | Filter & Spark Plug MVP Kit (2004-2011) | A/R |
| 2:1 | 121-0618 | ELEMENT SET (2012 & Up) | 1 |
| * | 121-0547 | SPARK-PLUG (2012 & Up) | 1 |
| * | 30097** | Filter & Spark Plug MVP Kit (2012 & Up) | A/R |
| 3 | 94-6826 | FILTER - FUEL SCREEN (GR 800/1000/1600 UP TO 2011) | 1 |
| 3 | 121-0685 | FILTER - FUEL (GR 800/1000/1600 2012 & Up) | 1 |
| 3 | 93-8684 | FILTER - FUEL SCREEN (GR 1000 1995-MID 1996) | 1 |
| 4 | 98-7260 | BEDKNIFE - TOURNAMENT-CUT (GR 800) | 1 |
| 4 | 98-7261 | BEDKNIFE - MICRO CUT (GR 800) | 1 |
| 4 | 93-4263 | BEDKNIFE - TOURNAMENT-CUT (GR 1000/2000/1010) | 1 |
| 4 | 115-1881 | BEDKNIFE - TOURNAMENT-CUT - EDGEMAX (GR 1000/2000/1010) | 1 |
| 4 | 63-8470 | ORDER 93-4264 | 1 |
| 4 | 93-4264 | BEDKNIFE - LOW-CUT (GR1000/2000/1010) | 1 |
| 4 | 65-8250 | ORDER 93-4262 | 1 |
| 4 | 93-4262 | BEDKNIFE - MICRO CUT (GR 1000/2000/1010) | 1 |
| 4 | 115-1880 | BEDKNIFE - MICRO CUT - EDGEMAX (GR 1000/2000/1010) | 1 |
| 4 | 93-9015 | BEDKNIFE - LOW-CUT (GR 1600/2600) | 1 |
| 4 | 94-5885 | BEDKNIFE - TOURNAMENT-CUT (GR 1600/2600) | 1 |
| 4 | 104-2646 | BEDKNIFE - HIGH-CUT (GR1600/2600) | 1 |
| 4 | 107-8181 | BEDKNIFE - FAIRWAY-CUT (GR1600/2600) | 1 |
| 4 | 112-9275 | BEDKNIFE - MICRO CUT (GR1600/2600) | 1 |
| * | 108-4303 | BEDKNIFE - 21" MICRO CUT EXTENDED | 1 |
| * | 108-4302 | BEDKNIFE - 21" TOURNAMENT CUT EXTENDED | 1 |
| * | 94-6392 | BEDKNIFE - 21" HIGH CUT | 1 |
| * | 63-8610 | BEDKNIFE - 21" FAIRWAY CUT | 1 |
| * | 117-1548 | BEDKNIFE - 26" TOURNAMENT CUT - EXDGEMAX | 1 |
| 5 | 57-4910 | ORDER 119-4151 | 13 |
| 5 | 119-4151 | BEDKNIFE SCREW | 13 |
| 6 | 65-6200 | BELT - REEL DRIVE | 1 |
| 7 | 92-9218 | V-BELT (SET OF 2) - COUNTERSHAFT (GR 800/1000 95 UP,1600) | 1 |
| 8 | 65-6210 | BELT - DRUM DRIVE ASSEMBLY | 1 |
| 9 | 65-9080 | BELT - INTER COUNTERSHAFT ASSEMBLY | 1 |
| 10 | 65-9700 | BELT - GROOMER DRIVE (GR 800/1000/1600) | 1 |
| 11 | 17-1590 | BLADE - DETHATCHER (STD) | 35 |
| 12 | 106-5422 | BLADE - DETHATCHER (1MM-CARBIDE TIPPED) | 35 |
| 12 | 106-6355 | BLADE - DETHATCHER (2MM-CARBIDE TIPPED) | 35 |
| 13 | 110-2393 | BLADE GROOMER (CARBIDE TIPPED - 1998 & UP) | 41 |
| 14 | 70-1170 | BLADE - GROOMER (1991-97) | 41 |
| 14 | 95-5719 | BLADE - GROOMER (1998 & UP) | 41 |
| 15 | 251-342 | BEARING - REEL | 1 |
| 16 | 38-7820 | BEARING - BALL (IDLERS) | 7 |
| 17 | 251-336 | BEARING - BALL | 2 |
| 18 | 251-318 | BEARING - BALL | 1 |
| 19 | 251-338 | BEARING - BALL | 2 |
| 20 | 251-337 | BEARING - BALL (GR 1000 DRUM DRIVE SHAFT - 1990-92) | 2 |
| 20 | 88-7880 | BEARING - BALL | 2 |
| 21 | 251-257 | BEARING BALL (1990-99) | 2 |
| 21 | 251-82 | BEARING - BALL (GR 2000 & UP) | 2 |
| 22 | 251-327 | BEARING - BALL (GROOMER) | 5 |
| 23 | 65-7940 | TIRE (12 X 3.25 - 6) 4-PLY TRANSPORT WHEEL KIT | 2 |
| 24 | 10-5040 | ORDER 65-8600 | 2 |
| 24 | 65-8600 | KNOB - ADJUSTMENT (GR 1000) | 2 |
| 25 | 10-5060 | BRACKET - H.O.C. (GR 1000) | 2 |
| 26 | 3256-23 | WASHER | 2 |
| 27 | 3296-29 | LOCKNUT | 2 |
| 28 | 321-4 | SCREW - CAP HEX HD | 2 |
| 29 | 3253-3 | LOCK WASHER | 2 |
| 30 | 65-9500 | SCREW - ADJUSTMENT | 2 |
| 31 | 3230-5 | BOLT | 2 |

GREENSMMASTER — WALKERS

GREENSMMASTER® 1000 / 1600 / 2000 / 2600

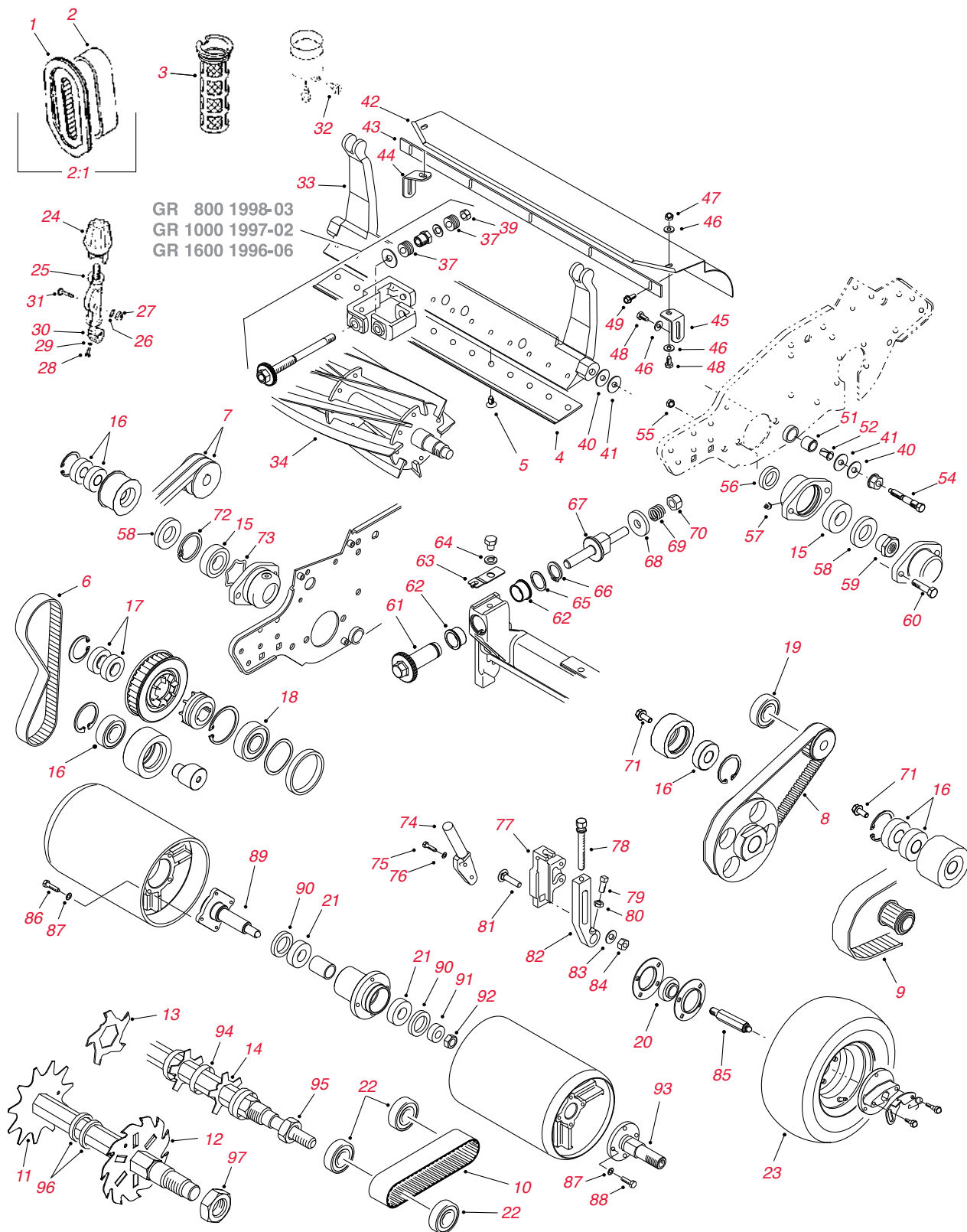


Greensmaster 1000 / 1600 / 2000 / 2600 - continued

| Ref. No. | Part No. | Description | Qty. |
|----------|-------------|--|------|
| 31 | 112-9279-03 | BEDBAR - AGGRESSIVE (GR 1000/1010 2012 & after) | 1 |
| 31 | 120-2682-01 | BEDBAR (GR 800 2012 & after) | 1 |
| 32 | 93-8626 | SCREW - CARB BOWL (1995 & UP) | 1 |
| 33 | 93-6053-01 | BEDBAR (GR 1000) (2000-2008) | 1 |
| 33 | 93-9049-01 | BEDBAR (GR 1600) | 1 |
| | 93-9029 | ORDER 95-0900 | 1 |
| | 98-5919 | ORDER 127-2160 | |
| 34 | 127-2160 | REEL - 11 BLADE (5" DIA - GR 800) | 1 |
| 34 | 132-7353 | EDGESERIES REEL - 11 BLADE (5" DIA - GR 800 CUTTING UNIT 04054 ES) | 1 |
| 34 | 132-7354 | EDGESERIES REEL - 14 BLADE (5" DIA - GR 800 CUTTING UNIT 04054 ES) | 1 |
| | 93-6087 | ORDER 127-2181 | |
| 34 | 127-2181 | REEL - 8 BLADE (5" DIA - GR 1000/1010/2000 - CUTTING UNIT 04034/04052/04034) | 1 |
| 34 | 132-7312 | EDGESERIES REEL - 8 BLADE (5" DIA - GR 1000/1010/2000 - CUTTING UNIT 04036/04052/04038ES/04055ES) | 1 |
| | 93-6097 | ORDER 127-2182 | |
| 34 | 127-2182 | ORDER 132-7313 | 1 |
| 34 | 132-7313 | EDGESERIES REEL - 11 BLADE (5" DIA - GR 1000/1010/2000 - CUTTING UNIT 04036/04052/04034/04038ES/04055ES) | 1 |
| | 117-1449 | ORDER 127-2183 | 1 |
| 34 | 127-2183 | REEL - 14 BLADE (5" DIA - GR 1000/1010/2000 - CUTTING UNIT 04036/04052/04034) | 1 |
| 34 | 132-7314 | EDGESERIES REEL -14 BLADE (5" DIA - GR 1000/1010/2000 - CUTTING UNIT 04036/04052/04034/04038ES/04055ES) | 1 |
| | 95-0900 | ORDER 127-2206 | |
| 34 | 127-2206 | REEL - 8 BLADE (5" DIA - GR 1600/1610/2600 - CUTTING UNIT 04037/04060/04035) | 1 |
| 34 | 132-7361 | EDGESERIES REEL- 8 BLADE (5" DIA - GR 1600/1610/2600 - CUTTING UNIT 04037/04060/04035/04039ES/04056ES) | 1 |
| | 112-9276 | ORDER 127-2207 | 1 |
| 34 | 127-2207 | REEL - 11 BLADE (5" DIA - GR 1600/1610/2600 - CUTTING UNIT 04037/04060/04035) | 1 |
| 34 | 132-7362 | EDGESERIES REEL - 11 BLADE (5" DIA - GR 1600/1610/2600 - CUTTING UNIT 04037/04060/04035/04039ES/04056ES) | 1 |
| 37 | 93-9043 | WASHER - BELLEVILLE | 32 |
| 39 | 3296-48 | NUT - HEX | 2 |
| 40 | 52-2860 | WASHER | 4 |
| 41 | 52-2900 | WASHER | 4 |
| 42 | 98-5918 | GRASS SHIELD (GR 800) | 1 |
| 42 | 93-6069 | GRASS SHIELD (GR 1000) | 1 |
| 42 | 112-9471 | GRASS SHIELD (GR 1000/1010) | 1 |
| 42 | 110-7370 | GRASS SHIELD (GR 1600/1610/2600) | 1 |
| 43 | 36-7260 | CUTOFF BAR (GR 1000/1010/2000) | 1 |
| 43 | 94-5879 | CUTOFF BAR (GR 1600/1610/2600) | 1 |
| 43 | 98-5933 | CUTOFF BAR (GR 800) | 1 |
| 44 | 65-6460 | BRACKET - RH | 1 |
| 45 | 65-6450 | BRACKET - LH | 1 |
| 46 | 3256-22 | WASHER | 6 |
| 47 | 3296-42 | NUT - LOCK | 2 |
| * | 3296-45 | NUT- LOCK, NI | 1 |
| 48 | 321-3 | SCREW - CAP HEX HD | 4 |
| 49 | 32144-73 | ORDER 104-2065 | 5 |
| 49 | 104-2065 | SCREW - SELF TAPPING | 5 |
| 51 | 63-9510 | RUBBER BUSHING | 2 |
| 54 | 52-2890 | BUSHING | 2 |
| 54 | 65-6270 | ORDER 119-4050 | |
| 54 | 119-4050 | BOLT - BEDBAR | 2 |
| 55 | 3296-39 | SCREW - CAP HEX HD | 2 |
| 56 | 253-96 | SEAL - INNER | 1 |
| 57 | 302-5 | GREASE FITTING | 1 |
| 58 | 253-163 | SEAL - OUTER | 1 |
| 59 | 92-7302 | NUT - BEARING LOCK | 1 |

GREENSMMASTER — WALKERS

GREENSMMASTER® 1000 / 1600 / 2000 / 2600



GREENSMaster — WALKERS

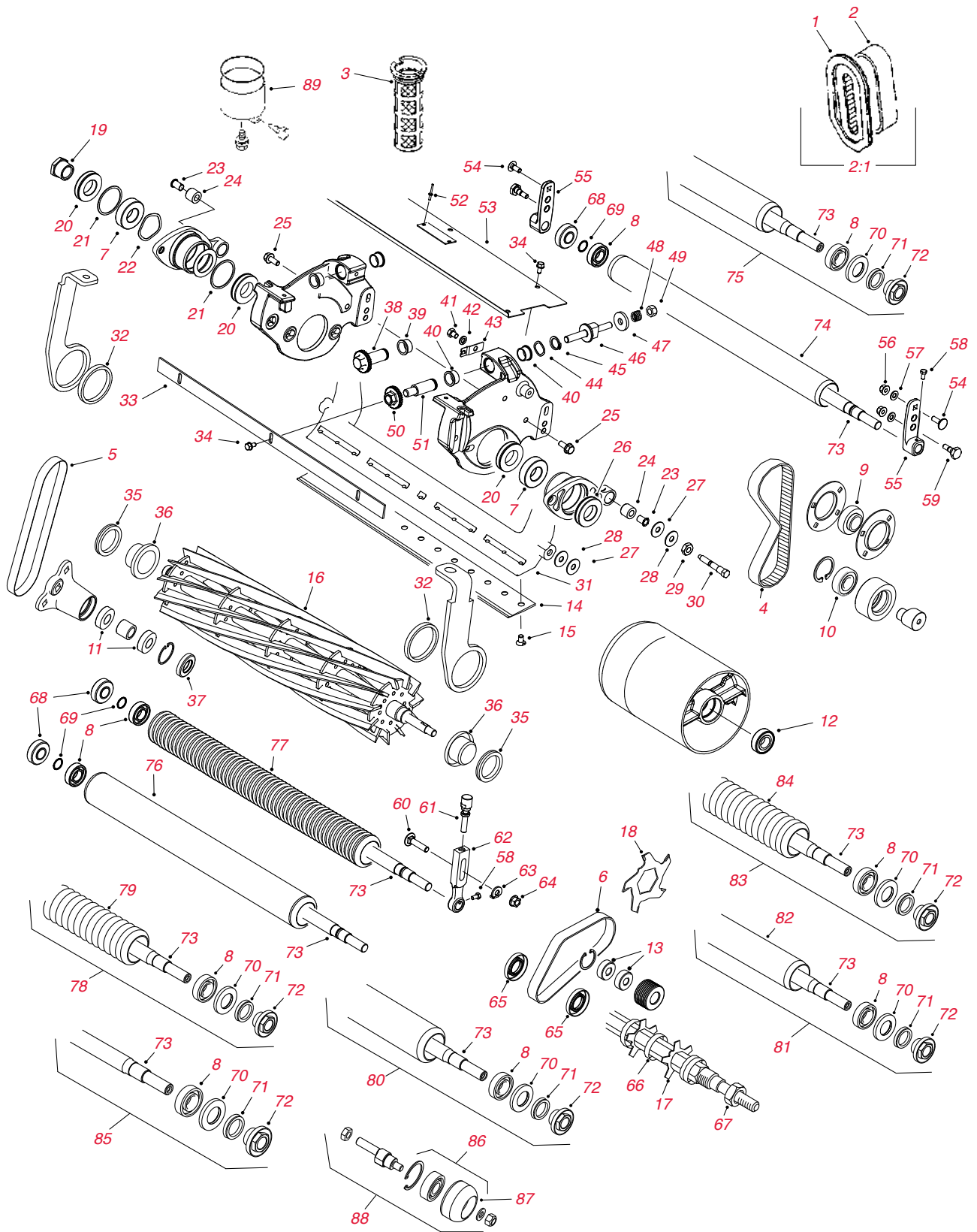
GREENSMaster[®] 1000 / 1600 / 2000 / 2600

Greensmaster 1000 / 1600 / 2000 / 2600 - continued

| Ref. No. | Part No. | Description | Qty. |
|----------|-------------|--|------|
| 60 | 323-7 | SCREW - CAP HEX HD | 2 |
| 61 | 106-5363 | ADJUSTER (2004 & UP) | 2 |
| 62 | 106-5344 | BUSHING - KEYPED FLANGE | 2 |
| 63 | 99-2097 | DETENT | 2 |
| 64 | 3253-4 | WASHER - LOCK | 2 |
| 65 | 106-5335 | ORDER 119-4164 | 2 |
| 65 | 119-4164 | WASHER - WAVE | 2 |
| 66 | 32120-93 | RING - RETAINING | 2 |
| 67 | 99-2096 | SCREW - BEDBAR ADJUSTER | 2 |
| 68 | 99-2098 | WASHER | 2 |
| 69 | 99-3755 | ORDER 119-4156 | 2 |
| 69 | 119-4156 | SPRING - COMPRESSION | 2 |
| 70 | 33025-00 | NUT - LOCK | 2 |
| 71 | 3234-14 | SCREW - HEX FLANGE HD | 1 |
| 72 | 32151-92 | RING - RETAINING | 2 |
| 73 | 3290-485 | WASHER - WAVE | 1 |
| 74 | 65-7250 | ORDER 65-8570 | 2 |
| 74 | 65-8570 | MOUNT - GRASS BASKET (GR 800/1000/2000/2600) | 2 |
| 74 | 93-9018 | ROD - BASKET LH (GR 1600 ONLY) | 1 |
| 74 | 93-9017 | ROD - BASKET RH (GR 1600 ONLY) | 1 |
| 75 | 322-2 | SCREW - CAP HEX HD | 4 |
| 76 | 3255-8 | WASHER - LOCK | 4 |
| 77 | 93-6049 | BRACKET - HOC LH | 1 |
| * | 93-6048 | BRACKET - HOC RH | 1 |
| 78 | 93-6051 | SCREW - HOC | 2 |
| 79 | 3242-4 | SCREW - SQH | 2 |
| 80 | 3218-2 | NUT - HEX | 2 |
| 81 | 3231-5 | SCREW - CARRIAGE | 4 |
| 82 | 93-6090 | ARM - HOC | 2 |
| 83 | 3256-24 | WASHER - FLAT | 4 |
| 84 | 32128-21 | NUT - FLANGE LOCK | 2 |
| 85 | 88-7580 | SHAFT - TRANSPORT LH | 1 |
| * | 88-7590 | SHAFT - TRANSPORT RH | 1 |
| 86 | 322-9 | SCREW - CAP HEX HD | 8 |
| 87 | 3253-4 | WASHER - LOCK | 16 |
| 88 | 322-5 | SCREW - CAP HEX HD | 8 |
| 89 | 94-5850 | SPINDLE - DRUM | 1 |
| 90 | 253-159 | SEAL | 2 |
| 91 | 65-6530 | SPACER - SEAL | 1 |
| 92 | 3296-33 | NUT - LOCK | 1 |
| * | 119-4108-03 | ORDER 132-3842 | |
| * | 132-3842 | SHAFT - DRUM LH | 1 |
| * | 132-3841 | SHAFT - DRUM RH | 1 |
| * | 117-1408 | DRUM (GRN 1000/1010) | |
| 94 | 70-1350 | SPACER (GROOMER REEL) | 84 |
| 95 | 3296-60 | NUT - LOCK (GROOMER REEL) | 2 |
| 96 | 17-1600 | SPACER (DETHATCHER REEL) | 70 |
| 97 | 3220-18 | NUT - LOCK (DETHATCHER REEL) | 2 |
| * | 112-9279-03 | BEDBAR - STANDARD (GR 1000 2008 & UP) | 1 |
| * | 120-2682-01 | BEDBAR (GR 800 2012 & UP) | 1 |
| * | 132-3842 | SHAFT - DRUM EXTENSION, LH | |
| * | 94-5870 | CABLE - CLUTCH | 1 |

GREENSMMASTER — WALKERS

GREENSMMASTER FLEX™ 1800 / 2100 (18 / 21) AND eFLEX® 1800 / 2100

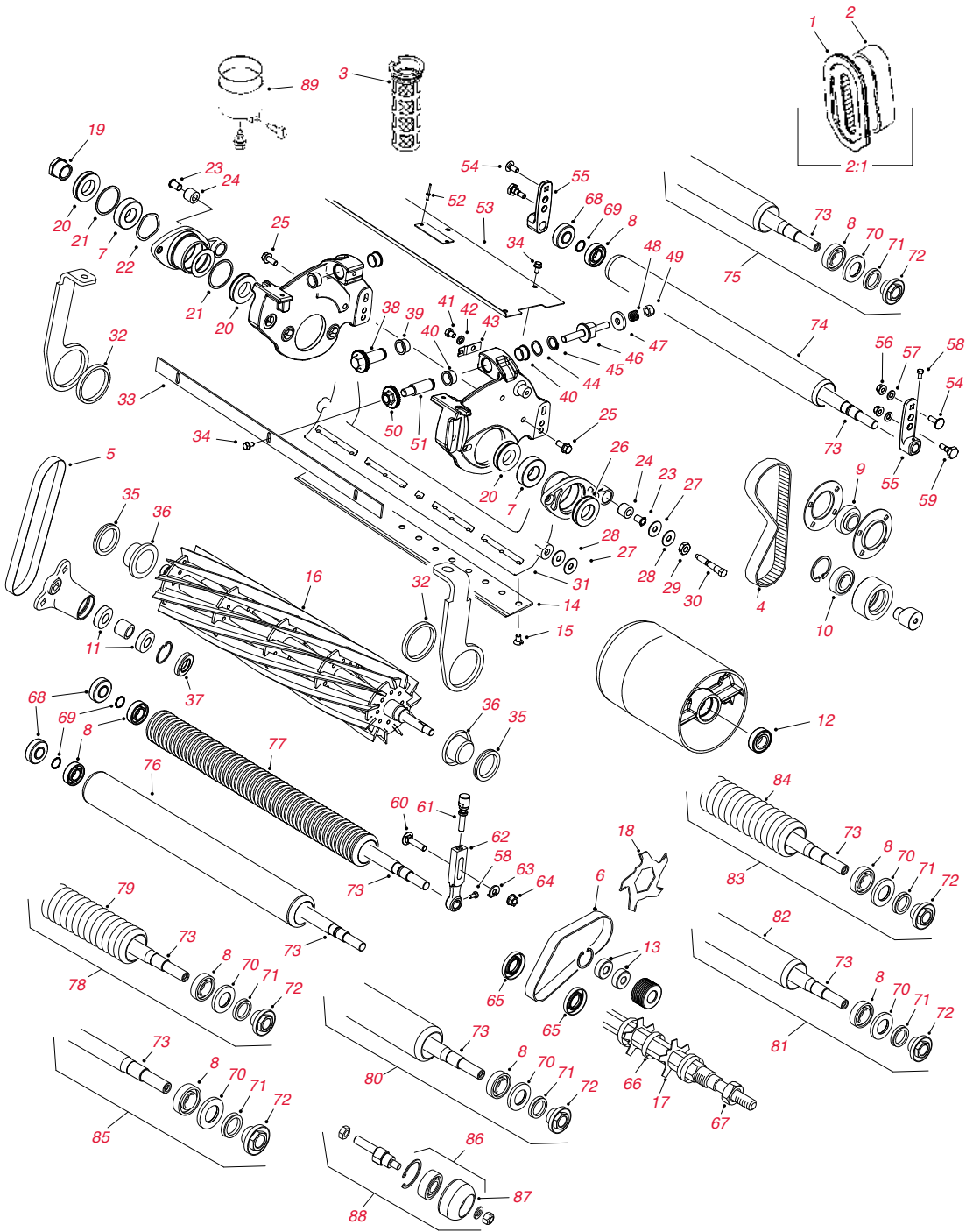


Greensmaster Flex 1800 / 2100 (18 / 21) and eFlex 1800 / 2100

| Ref. No. | Part No. | Description | Qty. |
|----------|----------------|--|------------|
| 1 | 93-8636 | ELEMENT - AIR FILTER | 1 |
| 2 | 93-8637 | PRECLEANER - AIR FILTER | 1 |
| 2:1 | 121-0618 | ELEMENT SET (2012 & Up) | 1 |
| * | 30065** | Filter MVP Kit (Up to 2011) | A/R |
| * | 30097** | Filter MVP Kit (2012 & Up) | A/R |
| 3 | 94-6826 | FUEL FILTER - TANK SCREEN (UP TO 2011) | 1 |
| 4 | 99-2023 | BELT - DRUM DRIVE (2001-05) | 1 |
| 4 | 107-8175 | ORDER 117-1353 | 1 |
| 4 | 117-1353 | BELT - DRUM DRIVE (2006-2011) | 1 |
| 4 | 115-6744 | BELT - DRUM DRIVE | 1 |
| 5 | 99-2022 | BELT - REEL DRIVE | 1 |
| 6 | 104-4705 | ORDER 120-2763 | 1 |
| 6 | 120-2763 | BELT - GROOMER DRIVE | 1 |
| 7 | 251-342 | BEARING - REEL/DRUM DRIVE | 2 |
| 8 | 251-347 | BEARING - ROLLER | 4 |
| 9 | 104-0538 | BEARING - DRUM DRIVE (FLEX 21 - 2001-04) | 2 |
| 9 | 106-8448 | BEARING - DRUM DRIVE (FLEX 21 - 2005 & UP) | 2 |
| 10 | 38-7820 | BEARING - BALL (IDLER) | 2 |
| 11 | 251-336 | BEARING - BALL | 2 |
| 12 | 251-82 | BEARING - BALL | 2 |
| 13 | 251-259 | BEARING - BALL (GROOMER IDLER/SHIFT LEVER ASM) | 2 |
| * | 106-2630 | IDLER BEARING ASM | 1 |
| 14 | 98-7261 | BEDKNIFE - MICRO CUT (FLEX 18) | 1 |
| 14 | 117-1530 | BEDKNIFE - MICRO CUT - EDGEMAX (FLEX 18) | 1 |
| 14 | 110-2300 | BEDKNIFE - MICRO CUT EXTENDED (FLEX 18) | 1 |
| 14 | 98-7260 | BEDKNIFE - TOURNAMENT-CUT (FLEX 18) | 1 |
| 14 | 117-1532 | BEDKNIFE - TOURNAMENT-CUT - EDGEMAX (FLEX 18) | 1 |
| 14 | 110-2301 | BEDKNIFE - LOW-CUT (FLEX 18) | 1 |
| 14 | 93-4262 | BEDKNIFE - MICRO CUT (FLEX 21) | 1 |
| 14 | 115-1880 | BEDKNIFE - MICRO CUT - EDGEMAX (FLEX 21) | 1 |
| 14 | 93-4263 | BEDKNIFE - TOURNAMENT-CUT (FLEX 21) | 1 |
| 14 | 115-1881 | BEDKNIFE - TOURNAMENT-CUT - EDGEMAX (FLEX 21) | 1 |
| 14 | 93-4264 | BEDKNIFE - LOW-CUT (FLEX 21) | 1 |
| 14 | 104-7720 | ORDER 108-4303 | 1 |
| 14 | 108-4303 | BEDKNIFE - MICRO CUT EXTENDED 21" | 1 |
| 14 | 108-4302 | BEDKNIFE - EXTENDED TOURNAMENT CUT 21" | 1 |
| 15 | 57-4910 | ORDER 119-4151 | 13 |
| 15 | 119-4151 | SCREW - BEDKNIFE | 13 |
| | 115-8255 | ORDER 127-2157 | |
| 16 | 127-2157 | REEL - 14 BLADE (FLEX 18 - CUTTING UNITS 04206/04207) | |
| 16 | 132-7357 | EDGESERIES REEL - 11 BLADE (5" DIA - GR FLEX/eFLEX 1800/1820 - CUTTING UNITS 04253/04254/04289ES/04291ES) | 1 |
| 16 | 132-7358 | ORDER 137-8523 | 1 |
| * | 137-8523 | EDGESERIES REEL - 14 BLADE (5"DIA - GR FLEX/eFLEX 1800/1820 - CUTTING UNITS 04253/04254/04289ES/04291ES) | 1 |
| | 115-4289 | ORDER 127-2177 | 1 |
| 16 | 127-2177 | REEL - 14 BLADE (5" DIA - GR FLEX - CUTTING UNITS 04200/04202/04208) | 1 |
| 16 | 132-7342 | ORDER 137-8513 | 1 |
| * | 137-8513 | EDGESERIES REEL+ - 14 BLADE (5" DIA - GR FLEX/eFLEX 2100/2120 - CUTTING UNITS 04251/04252/04290ES/04292ES) | 1 |
| | 110-2310 | ORDER 127-2156 | 1 |
| 16 | 127-2156 | REEL - 11 BLADE (5" DIA - GR FLEX 18 - CUTTING UNITS 04206/04207) | 1 |
| | 104-0500 | ORDER 107-7635 | 1 |
| | 107-7635 | ORDER 127-2176 | |
| 16 | 127-2176 | REEL - 11 BLADE (5" DIA - GR FLEX 21 - CUTTING UNITS 04200/04202/04208) | 1 |
| 16 | 132-7341 | ORDER 137-8512 | 1 |
| * | 137-8512 | EDGESERIES REEL+ - 11 BLADE 21" LOW DRAG | |
| | 107-7634 | ORDER 127-2174 | |
| 16 | 127-2174 | REEL - 8 BLADE (5" DIA - GR FLEX 21 - CUTTING UNITS 04200/04202/04208) | 1 |
| 16 | 132-7340 | ORDER 137-8511 | 1 |
| * | 137-8511 | EDGESERIES REELS+ - 8 BLADE 21" LOW DRAG | 1 |
| | 119-4101 | ORDER 127-2164 | |
| 16 | 127-2164 | REEL ASM - 11 BLADE 18" (5" DIA - GR FLEX/eFLEX 1800/1820 - CUTTING UNITS 04253/04254) | 1 |
| | 119-4102 | ORDER 127-2165 | |
| 16 | 127-2165 | REEL ASM - 14 BLADE 18" (5" DIA - GR FLEX/eFLEX 1800/1820 - CUTTING UNITS 04253/04254) | 1 |
| | 119-4103 | ORDER 127-2200 | |

GREENSMASTM — WALKERS

GREENSMASTM FLEX[™] 1800 / 2100 (18 / 21) AND eFLEX[™] 1800 / 2100



Greensmaster Flex 1800 / 2100 (18 / 21) and eFlex 1800 / 2100 - continued

| Ref. No. | Part No. | Description | Qty. |
|----------|-------------------|--|------------|
| 16 | 127-2200 | ORDER 137-8511 | 1 |
| * | 137-8511 | EDGESERIES REELS+ - 8 BLADE, 21" LOW DRAG | 1 |
| | 119-4104 | ORDER 127-2201 | |
| 16 | 127-2201 | ORDER 137-8512 | 1 |
| * | 137-8512 | EDGESERIES REELS+ - 11 BLADE, 21" LOW DRAG | 1 |
| 16 | 119-4105 | ORDER 127-2202 | 1 |
| 16 | 127-2202 | ORDER 137-8513 | 1 |
| * | 137-8513 | EDGESERIES REELS+ - 14 BLADE 21" LOW DRAG | 1 |
| * | 130-0105** | Reel Overhaul MVP Kit (2004 - 2011) | A/R |
| 17 | 95-5719 | BLADE - GROOMER (HEX SHAFT) | 41 |
| 18 | 110-2393 | BLADE - GROOMER (CARBIDE TIPPED - HEX SHAFT) | 41 |

GREENSMaster — WALKERS

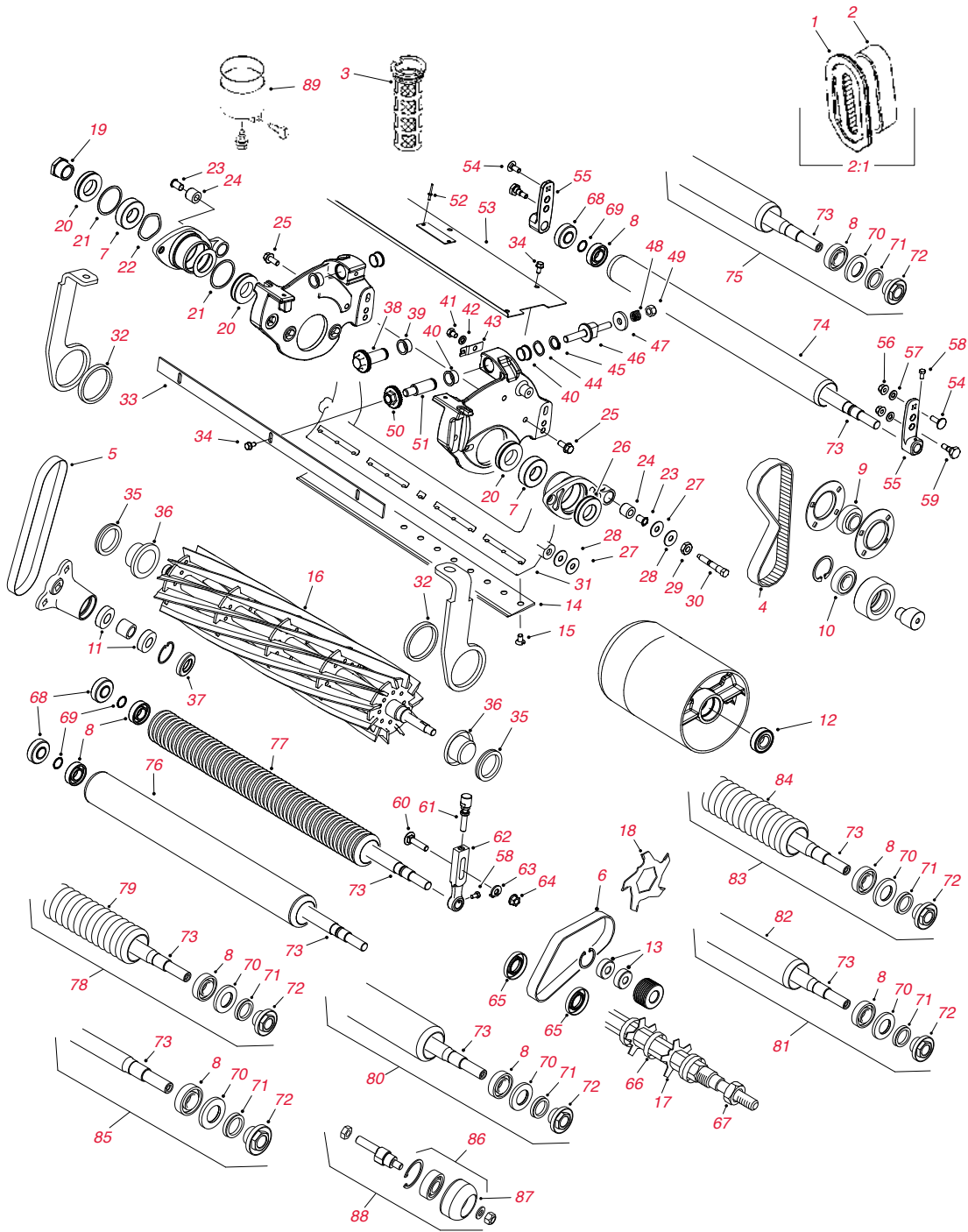
GREENSMaster[®] FLEX™ 1800 / 2100 (18 / 21) AND eFLEX[®] 1800 / 2100

Greensmaster Flex 1800 / 2100 (18 / 21) and eFlex 1800 / 2100 - continued

| Ref. No. | Part No. | Description | Qty. |
|----------|-------------|---|------|
| 19 | 99-3767 | NUT - BEARING LOCK (2001-04) | 1 |
| 19 | 107-3227 | NUT - BEARING LOCK (2004-2011) | 1 |
| 19 | 115-6784 | NUT - BEARING LOCK (2012 & AFTER) | 1 |
| 20 | 99-3801 | SEAL - REEL (BLACK - 2001-04) | 4 |
| 20 | 107-3233 | SEAL - REEL (2004-2011) | 4 |
| 21 | 32151-92 | RING - RETAINING | 2 |
| 22 | 3290-485 | WASHER - WAVE | 1 |
| 23 | 52-2890 | BUSHING - NYLON | 2 |
| 24 | 63-9510 | BUSHING | 2 |
| 25 | 33104-020 | BOLT - HEX FLANGE | 4 |
| 26 | 105-9945 | SEAL - REEL (BLUE - 2001-04) | 4 |
| 27 | 52-2860 | WASHER | 4 |
| 28 | 52-2900 | WASHER | 4 |
| 29 | 3220-26 | NUT - JAM (FLEX 21 2001-04) | 2 |
| 29 | 107-9045 | ORDER 32128-48 | 2 |
| 29 | 32128-48 | NUT - JAM (FLEX 21 2004-2011) | 2 |
| 29 | 120-9695 | NUT - JAM (FLEX 21 2012 & AFTER) | 1 |
| | 65-6270 | ORDER 119-4050 | |
| 30 | 119-4050 | BOLT - BEDBAR | 2 |
| 31 | 99-3794-03 | BEDBAR | 1 |
| 32 | 99-2047 | BUSHING (2001-03) | 2 |
| 33 | 104-2602-03 | BAR - CUTOFF (FLEX 21 2001-02) | 1 |
| | 106-6924-03 | ORDER 115-3303-03 | |
| 33 | 115-3303-03 | BAR - CUTOFF (FLEX 21 2002 & UP) | 1 |
| 34 | 104-2628 | SCREW - HEX WASHER HD | 8 |
| 35 | 107-3238 | V-RING | 2 |
| 36 | 108-3150 | SLEEVE | 2 |
| 37 | 253-120 | SEAL (FLEX 21 - 2001-2004) | 2 |
| 38 | 106-5363 | ADJUSTER (2004 & UP) | 2 |
| 39 | 106-5344 | BUSHING - KEYED FLANGE (FLEX 21 CU 04202 & FLEX 18) | 2 |
| 40 | 256-252 | BUSHING - FLANGE (FLEX 21 CU 04200) | 2 |
| 41 | 33114-010 | BOLT - HEX HD | 2 |
| 42 | 3253-4 | WASHER - LOCK | 2 |
| 43 | 99-2097 | DETENT - ADJUST | 2 |
| 44 | 95-3703 | WASHER - WAVE (2001-04) | 2 |
| 44 | 106-5335 | ORDER 119-4164 | 2 |
| 44 | 119-4164 | WASHER - WAVE (2004 & UP) | 2 |
| 45 | 32120-93 | RING - RETAINING | 2 |
| 46 | 99-2096 | SCREW - ADJUST | 2 |
| 47 | 99-2098 | WASHER - ADJUST | 2 |
| 48 | 99-3755 | ORDER 119-4156 | 2 |
| 48 | 119-4156 | SPRING - ADJUST | 2 |
| 49 | 33025-00 | NUT - HEX | 2 |
| 50 | 93-2549 | NUT - ADJUST (2001-03) | 2 |
| 51 | 99-2093 | SHAFT - ADJUSTER (2001-2003) | 2 |
| 52 | 3290-271 | RIVET - POP | 2 |
| 53 | 104-2632 | GRASS SHIELD ASSEMBLY | 1 |
| 54 | 33124-025 | BOLT - CARRIAGE | 2 |
| 55 | 99-3792 | BRACKET - REAR ROLLER | 2 |
| 56 | 104-2612 | NUT - HEX | 4 |
| 57 | 3256-23 | WASHER - FLAT | 4 |
| 58 | 33113-012 | SCREW - HEX HD | 4 |
| 59 | 95-1618 | ORDER 105-3834 | 1 |
| 59 | 105-3834 | BOLT - SHOULDER | 1 |
| 60 | 33125-045 | BOLT - CARRIAGE (2001) | 2 |
| 60 | 105-5342 | BOLT - CARRIAGE (2002 & UP) | 2 |
| 61 | 99-3782 | SCREW - HOC (2001-02) | 2 |
| 62 | 99-3781 | ORDER 110-7351 | 2 |
| 62 | 110-7351 | BRACKET - FRONT HOC (FLEX 21 2001-04) | 2 |
| 62 | 107-3502 | ORDER 110-7350 | 2 |
| * | 120-9600 | HIGH HDC KIT | 1 |
| 62 | 110-7350 | BRACKET KIT (INCL #58 & 60) (FLEX 21 2004 & UP) | 1 |

GREENSMaster — WALKERS

GREENSMaster FLEX™ 1800 / 2100 (18 / 21) AND eFLEX™ 1800 / 2100



Greensmaster Flex 1800 / 2100 (18 / 21) and eFlex 1800 / 2100 - continued

| Ref. No. | Part No. | Description | Qty. |
|----------|----------|--------------------------------|------|
| 63 | 104-2603 | ORDER 119-4158 | 2 |
| * | 119-4158 | WASHER - HOC BRACKET | 2 |
| 64 | 104-2611 | NUT - HEX (2001-03) | 2 |
| 64 | 106-4668 | NUT - LOCK (2003 & UP) | 2 |
| 65 | 106-8530 | SEAL (GROOMER SHAFT) | 2 |
| 66 | 70-1350 | SPACER - GROOMER | 84 |
| 67 | 3296-60 | NUT - GROOMER | 2 |
| 68 | 99-3842 | SEAL - ROLLER | 4 |
| 69 | 104-4212 | RING - SPIRAL RETAINING (2001) | 4 |
| 69 | 32120-15 | RING - RETAINING (2002-2004) | 4 |
| 70 | 106-6941 | SEAL | 2 |

GREENSMaster — WALKERS

GREENSMaster® FLEX™ 1800 / 2100 (18 / 21) AND eFLEX® 1800 / 2100

Greensmaster Flex 1800 / 2100 (18 / 21) and eFlex 1800 / 2100 - continued

| Ref. No. | Part No. | Description | Qty. |
|----------|-------------------|--|------------|
| 71 | 106-6942 | V-RING | 2 |
| 72 | 108-3151 | NUT - BEARING LOCK | 2 |
| | 104-2606 | ORDER 106-6940 | 2 |
| | 106-6940 | ORDER 119-4090 | 2 |
| 73 | 119-4090 | SHAFT - ROLLER (FLEX 21) | 2 |
| 74 | 99-3840 | ORDER 115-7356 | 1 |
| | 107-9036 | ORDER 115-7356 | 1 |
| 75 | 115-7356 | FULL REAR ROLLER ASSEMBLY (FLEX 21) | 1 |
| * | 107-1594** | Roller Rebuild MVP Kit | A/R |
| 76 | 104-9796 | ORDER 017-9039 | 1 |
| 77 | 106-6948 | ORDER 115-7386 | 1 |
| 78 | 107-9038 | ORDER 115-7386 | 1 |
| 78 | 115-7386 | WIEHLE ROLLER ASSEMBLY-WIDE SPACING (FLEX 21) | |
| 77 | 104-9795 | ORDER 115-7360 | 1 |
| 78 | 107-9037 | ORDER 115-7360 | |
| 78 | 115-7360 | WIEHLE ROLLER ASSEMBLY-NARROW SPACING (FLEX 21) | 1 |
| 79 | 104-0540 | WIEHLE ROLLER TUBE (NARROW SPACING) | 1 |
| 80 | 115-7388 | FULL FRONT ROLLER ASSEMBLY (FLEX 21) | 1 |
| 81 | 120-9605 | 2" FULL ROLLER ASSEMBLY (FLEX 18) | 1 |
| | 110-2306 | ORDER - 120-9611 | |
| 81 | 120-9611 | 2.5" FULL ROLLER ASSEMBLY (FLEX 18) | 1 |
| 82 | 110-2220 | TUBE - 2" FULL ROLLER (FLEX 18) | 1 |
| 82 | 120-9613 | TUBE - 2.5" FULL ROLLER (FLEX 18) | 1 |
| 83 | 120-9607 | WIEHLE ROLLER ASSEMBLY - NARROW SPACING (FLEX 18) | 1 |
| | 110-2305 | ORDER - 120-9609 | |
| 83 | 120-9609 | WIEHLE ROLLER ASSEMBLY - WIDE SPACING (FLEX 18) | 1 |
| 84 | 110-2221 | TUBE - WIEHLE NARROW SPACING (FLEX 18) | 1 |
| 84 | 110-2227 | TUBE - WIEHLE WIDE SPACING (FLEX 18) | 1 |
| 85 | 108-8625 | ROLLER SHAFT REPLACEMENT KIT (FLEX 21) | 1 |
| 86 | 108-4339 | AUXILIARY ROLLER ASSEMBLY | 2 |
| 87 | 108-4334 | ROLLER - AUXILIARY | 2 |
| 88 | 115-7361 | AUXILIARY ROLLER KIT | 1 |
| 89 | 93-8626 | SCREW - CARB BOWL | 1 |
| * | 130-9410 | COUPLING - FLEX, 2 BEAM (2015) | 1 |
| * | 131-3185 | CABLE - THROTTLE | 1 |
| * | 106-8535 | RH LIFT ARM ASM, GROOMER ARM ASM | 1 |
| * | 115-7172 | CABLE - CLUTCH, REEL (GR 1800/2100 2012-2015) | 1 |
| * | 115-7172 | CABLE - CLUTCH, REEL (GR 1820/2120 2016 & after) | 1 |
| * | 115-7356 | REAR FULL ROLLER, ALUMINUM (GR FLEX/eFLEX 2100/2120) | |
| * | 110-7352 | SCREW - HOC | 2 |
| * | 106-4237 | BEARING | 2 |
| * | 105-2439 | BASKET - GRASS | 1 |
| * | 115-6923 | SHIELD-BEARING, FLOCKED | 1 |
| * | 360-0398 | O-RING | 1 |
| * | 115-7171 | CABLE - BRAKE | 1 |
| * | 106-9288 | SENSOR - PROXIMITY, FERROUS | 2 |
| * | 117-1397 | CABLE - CLUTCH, TRACTION | 1 |
| * | 107-3509 | STEEL ROLLER ASM | A/R |
| * | 115-7143 | SPRING - WAVE | 1 |
| * | 115-7140 | GASKET - HOUSING, MAIN | 1 |
| * | 112-9462-03 | BASKET FRAME ASM (GR FLEX 21 2007-2011) | 1 |
| * | 117-6619 | BUSHING - FRAME (1800/2100 2012 & UP) | 1 |
| * | 106-4699 | ORDER 120-9600 | A/R |
| * | 120-9600 | HIGH HOC KIT, DPA (GR FLEX 18/21 2006 & UP) | A/R |
| * | 99-6216 | ROLLER - WIEHLE (GR FLEX 21 2001-2004) | A/R |
| * | 120-9707 | SHAFT - DRIVE, REEL (FLEX 1800/2100 1820/2120) | 1 |
| * | 125-3540 | SHAFT - HEX (FLEX 2100 2012-2015) | 1 |
| * | 32180-030 | CLIP - TIE | 1 |
| * | 120-3230 | SHAFT ASM (FLEX 21) | 1 |
| * | 120-9705 | SHAFT - INPUT, REEL (FLEX 1800/2100 2012-2015) | 1 |
| * | 115-6882 | SHAFT - HEX, REEL (FLEX 2100 2012-2015) | 1 |
| * | 106-5270 | IGNITION KEY SET | 1 |
| * | 131-8795 | KIT - CLUTCH SHAFT SERVICE ASM (FLEX 1800/2100) | A/R |

GREENSMATER — RIDERS

GREENSMATER® 3100

Traction Unit Parts

| | Part No. | Description | Qty. |
|---------------------------|---|---|------|
| FILTERS | | | |
| | 107-7817 | FILTER - ENGINE OIL (GR 3050/3100) | 1 |
| | 92-0527 | AIR FILTER CARTRIDGE (GR 3050/3100) | 1 |
| | 92-0530 | FILTER - ELEMENT (GR 3100) | 1 |
| | 83-1320 | ORDER 94-2690 | 1 |
| | 94-2690 | GAS FILTER (GR 3050/3100) | 1 |
| | 74-3570 | HYDRAULIC FILTER (GR 300/3000/3000D/3050/3100) | 1 |
| BELTS | | | |
| | 67-4410 | V-BELT - ALTERNATOR/WATER PUMP (GR 3000D 1989-96) | 1 |
| TIRES/DRIVE SYSTEM | | | |
| | 231-64 | ORDER 28-3680 | 3 |
| | 28-3680 | TIRE - FRONT & REAR (18 X 9.5 - 8) 2-PLY TRACTION | 3 |
| | 231-127 | ORDER 119-3516 | 3 |
| | 119-3516 | TIRE - FRONT & REAR (18 X 8.5 - 8) 4-PLY TRACTION | 3 |
| | 70-9870 | PLATE-BACKING | 1 |
| | 107-2553 | ROD END ASM | 1 |
| | 3256-28 | WASHER - FLAT, REAR WHEEL (GR 3100 - 2007-2010) | 1 |
| | 75-0560 | STEERING WHEEL ASM | 1 |
| | 105-5444 | CABLE-LOCK, NEUTRAL | 1 |
| BEARINGS | | | |
| | See Quick Reference Guide for detailed information on bearing replacements for this model. Page 30-38 | | |
| | 254-70 | ORDER 115-9472 | 2 |
| | 115-9472 | CONE - BEARING (GR 3000D/3100) | 2 |
| | 254-69 | ORDER 115-9471 | 2 |
| | 254-61 | ORDER 115-9471 | 2 |
| | 115-9471 | CUP - BEARING (GR 3000D/3100) | 2 |
| | 254-78 | BEARING CONE | 2 |
| | 254-79 | BEARING CUP | 2 |
| HYDRAULIC MOTOR | | | |
| | 105-0494 | HYDROSTAT ASM | 1 |
| | 112-0289 | MANIFOLD ASM (W/BACKFLAP) | 1 |
| | 105-5404 | HOSE ASM | 1 |
| | 107-2567 | GEAR PUMP ASM (GR 3100 2004-2010) | 1 |
| | 112-9170 | SEAL KIT, HYDRAULIC CYLINDER (GR 3100) | 1 |
| SEAT | | | |
| | 104-4620 | SEAT (STD) | 1 |
| | 51-0780 | SLIDER-SEAT | 1 |
| | 51-0790 | ADJUSTER-SEAT, LH | 1 |
| | 131-6691 | SEAT COVER, LARGE | 1 |
| | 137-1312 | MESH SEAT COVER, LARGE | 1 |
| OTHER | | | |
| | 104-8162 | BATTERY - DRY (GR 3050/3100/3150) | 1 |
| | 115-3272 | KIT - SERVICE, CYLINDER (GR 3100/3200) | 1 |
| | 117-6619 | BUSHING - FRAME | 1 |
| | 83-0810 | COVER - STEERING | 1 |

25 horizontal lines for notes.



GREENSMATER — RIDERS

GREENSMATER® 3150 / 3120

Traction Unit Parts

| Part No. | Description | Qty. |
|---|--|------------|
| FILTERS | | |
| 131-6262** | 800 Hour Filter MVP Kit (GR 3150/3120 2012 & After) | A/R |
| 30064** | 400 Hour Filter MVP Kit (GR 3150D - 2005 - 2011) | A/R |
| 30016** | 400 Hour Filter MVP Kit (GR 3100D - 1999 - 07) | A/R |
| 30053** | 400 Hour Filter MVP Kit (GR 3100D - 2008 & Up) | A/R |
| 131-8785** | 800 Hour Standard Filter MVP Kit (GR 3150/3120) | A/R |
| 121-2583 | FILTER - FUEL INLINE (GR 3150) | 1 |
| 107-7817 | FILTER - ENGINE OIL (GR 3150/3120) | 1 |
| 92-0527 | AIR FILTER CARTRIDGE (GR 3150) | 1 |
| 83-1320 | ORDER 94-2690 | 1 |
| 94-2690 | GAS FILTER (GR 3150/3120) | 1 |
| 107-9531 | HYDRAULIC FILTER (GR 3150/3120) | 1 |
| 92-5821 | FILTER HEAD ASM (GR 3150/3120 - 2007 & AFTER) | 1 |
| 92-0530 | FILTER - ELEMENT (GR 3150/3120) | 1 |
| TIRES/DRIVE SYSTEM | | |
| 231-64 | ORDER 28-3680 | 3 |
| 28-3680 | TIRE - FRONT & REAR (18 X 9.5 - 8) 2-PLY TRACTION | 3 |
| 231-127 | ORDER 119-3516 | 3 |
| 119-3516 | TIRE - FRONT & REAR (18 X 8.5 - 8) 4-PLY TRACTION | 3 |
| 70-9870 | PLATE-BACKING | 1 |
| 107-2553 | ROD END ASM | 1 |
| 324-8 | SCREW - HH (GR 3150 - 2007 & AFTER) | 2 |
| 75-0560 | STEERING WHEEL ASM | 1 |
| 83-0810 | COVER - STEERING | 1 |
| BEARINGS | | |
| See Quick Reference Guide for detailed information on bearing replacements for this model. Page 30-38 | | |
| 251-259 | BEARING - BALL | 1 |
| 254-70 | ORDER 115-9472 | 2 |
| 254-78 | BEARING CONE | 2 |
| 254-79 | BEARING CUP | 2 |
| 75-5470 | SPACER - BEARING | 2 |
| 76-0850 | BEARING - THRUST | 1 |
| 94-6363 | BEARING, HYDRAULIC PUMP (GR 3150) | 1 |
| 252-66 | BEARING - THRUST, HYDRAULIC PUMP (GR 3150) | 1 |
| 98-4639 | BEARING - CONE, HYDRAULIC PUMP (GR 3150) | 2 |
| 104-4046 | BEARING - CUP, HYDRAULIC PUMP (GR 3150) | 2 |
| 133-2378 | BEARING - BALL | 2 |
| 115-9471 | BEARING - CUP | 2 |
| 115-9472 | BEARING - CONE AND SEAL | 2 |
| STARTER & ALTERNATOR | | |
| 105-4320 | SWITCH (GR 3150) | 1 |
| 112-0278 | SWITCH-REED (GR 3150) | 2 |
| 105-5444 | CABLE-LOCK, NEUTRAL | 1 |
| 92-2538 | MODULE-TIMER, FRAME & BATTERY ASM (GR 3150) | 1 |
| 105-8250 | CONSOLE (GR 3120/3150) | 1 |

Traction Unit Parts - continued

| | Part No. | Description | Qty. |
|------------------------|-------------|---|------|
| HYDRAULIC MOTOR | | | |
| | 105-0494 | HYDROSTAT ASM | 1 |
| | 112-0289 | MANIFOLD ASM (W/BACKFLAP) | 1 |
| | 105-5404 | HOSE ASM | 1 |
| | 120-5341 | ACTUATOR REPLACEMENT KIT (GR 3150) | 1 |
| | 125-1984 | SPACER, HYDRAULIC TRACTION ASM (GR 3150) | 1 |
| | 112-9170 | SEAL KIT, HYDRAULIC CYLINDER (GR 3100/3150) | 1 |
| | 105-8285 | HOSE-INLET, PUMP (GR 3150 - 2007 & AFTER) | 1 |
| | 340-139 | FITTING - ELBOW 90 (GR 3150 - 2007 & AFTER) | 1 |
| | 360-0398 | O-RING (GR 3150 - 2012 & UP) | 1 |
| | 108-6506 | HOSE - HYD (GR 3120/3150) | 1 |
| | 108-6507 | HOSE - HYD (GR 3150 2006-2014) | 1 |
| | 108-6510 | HOSE ASM (GR 3150 2006-2014) | 1 |
| | 112-0273 | HYD HOSE ASM (GR 3150 2007-2014) | 1 |
| | 105-4338 | HYD HOSE ASM (GR 3150 2002-2006) | 1 |
| | 105-5460 | TUBE - HYD (GR 3120/3150) | 1 |
| | 108-6511 | HOSE ASM (GR 3150 2006-2011) | 1 |
| | 105-5482 | TUBE - HYD (GR 3120/3150) | 1 |
| | 107-2580 | TUBE - HYD (GR 3150 2006 & UP / 3120 2016 & UP) | 1 |
| | 105-4327 | TUBE - HYD, CASEDRAIN (GR 3150 2002-2015) | 1 |
| | 105-5493 | TUBE - HYD (GR 3120/3150) | 1 |
| | 107-2582 | TUBE - HYD (GR 3150 2006 & UP / 3120 2016 & UP) | 1 |
| | 112-9184 | SEAL - KIT (GR 3150 2007 - 2013) | 1 |
| SEAT | | | |
| | 104-4620 | SEAT (STD) | 1 |
| | 51-0780 | SLIDER-SEAT | 1 |
| | 51-0790 | ADJUSTER-SEAT, LH | 1 |
| | 105-0464-03 | PLATE-SEAT (GR 3150) | 1 |
| | 88-6330 | SPRING - EXTENSION (GR 3150 - 2007 & AFTER) | 1 |
| | 100-4928 | BELT - SEAT | 1 |
| | 112-2923 | SEAT ASM (GR 3120) | 1 |
| | 131-6691 | SEAT COVER, LARGE | 1 |
| | 137-1312 | MESH SEAT COVER, LARGE | 1 |
| | 66-2630 | LATCH - SEAT (GR 3150/3120) | 1 |
| OTHER | | | |
| | 110-7352 | SCREW - HOC (GR 3150/3250 - 2017 & AFTER) | 2 |
| | 119-4095 | GRASS SHIELD ASM (GR 3150 - 2016 & AFTER) | 1 |
| | 120-3222 | RH REEL NUT ASM (GR 3150 - 2007 & AFTER) | 1 |
| | 1-523420 | BUMPER (GR 3150 - 2007 & AFTER) | 2 |
| | 32144-1 | SCREW - TAPTITE (GR 3150 - 2007 & AFTER) | 2 |
| | 32149-2 | NUT - KEPS (GR 3150 - 2007 & AFTER) | 2 |
| | 120-3222 | RH REEL NUT ASM (3150 - 2011-2015) | 1 |
| | 132-3831 | LOCK ASM (GR 3150) | 1 |
| | 104-8162 | BATTERY - DRY (GR 3150) | 1 |
| | 83-2380 | SEAL REPAIR KIT (GR-3150) | 1 |
| | 105-0418-01 | ARM - STERRING (GR 3150) | 1 |
| | 112-0285-01 | FORK - CASTER (GR 3120/3150) | 1 |
| | 136-8484 | FRAME - PULL, LH (GR 3120/3150 2017 & UP) | 1 |
| | 136-8408 | ORDER 136-8485 | 1 |
| | 136-8485 | FRAME - PULL, CENTER | 1 |
| | 105-4302 | NEUTRAL ARM ASM (GR 3150 2002 & UP) | 1 |
| | 114-4693-03 | MOUNT - STEERING (GR 3150 2006 & UP / 3120 2016 & UP) | 1 |
| | 32120-18 | E-RING (GR 3150 2002-2015) | 2 |
| | 112-0297 | STEERING CYLINDER ASM (2007-2016) | 1 |
| | 117-9507 | PEDAL - ACCELERATOR (GR 3150/3120) | 1 |

GREENSMATER — RIDERS

GREENSMATER® 3250 SERIES

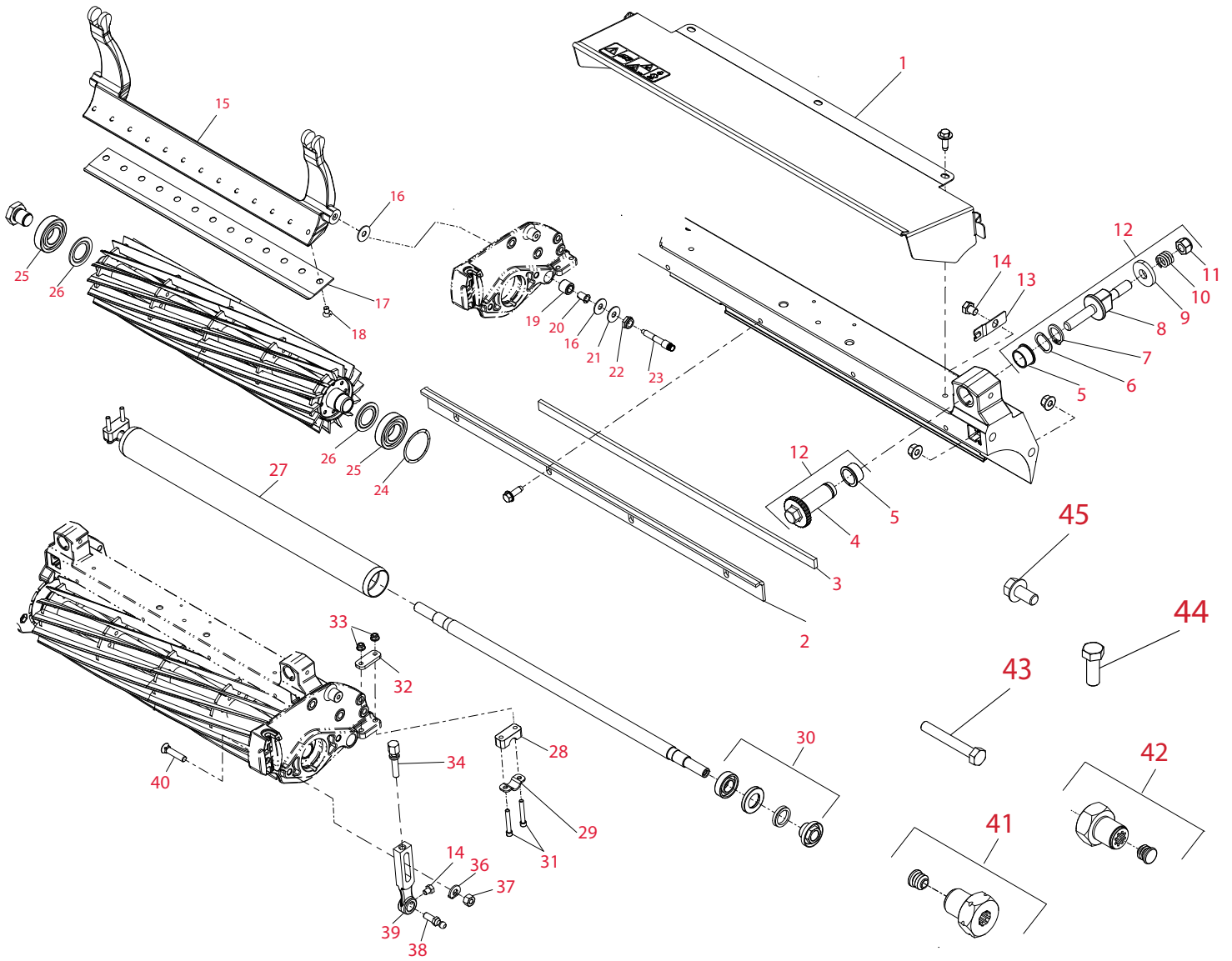
Traction Unit Parts

| Part No. | Description | Qty. |
|---|---|------------|
| FILTERS | | |
| 30062** | 400 Hour Filter MVP Kit (GR 3250D - 2007-2011) | A/R |
| 30086** | 500 Hour Filter MVP Kit (GR 3250D - 2012 & Up) | A/R |
| 99-9017 | ORDER 108-3842 | 1 |
| 108-3842 | FILTER - ENGINE OIL (2007 - 2011) | 1 |
| 115-8189 | FILTER - ENGINE OIL (3250D 2012 & UP) | 1 |
| 93-2195 | ORDER 108-3811 | 1 |
| 108-3811 | ELEMENT - AIR CLEANER | 1 |
| 105-0438 | ORDER 107-9631 | 1 |
| 107-9531 | HYDRAULIC FILTER ELEMENT (GR 3250D) | 1 |
| 110-8814 | FUEL FILTER ASM (BIO-DIESEL) (3250D 2007 & UP) | 1 |
| 112-9188 | ELEMENT - FUEL FILTER (BIO-DIESEL) (3250D 2007 - 2011) | 1 |
| 110-9049 | FILTER - SPIN ON (3250D 2012 & UP) | 1 |
| 112-9182 | BIO-DIESEL FUEL FILTER KIT (3250D) | 1 |
| 92-5821 | FILTER - HEAD (GR 3250 - 2008 & AFTER) | 1 |
| TIRES | | |
| 231-64 | ORDER 28-3680 | 3 |
| 28-3680 | TIRE - FRONT & REAR (18 X 9.5 - 8) 2-PLY SMOOTH (GR 3050 1997-2010) | 3 |
| 231-124 | ORDER 231-127 | 3 |
| 231-127 | ORDER 119-3516 | 3 |
| 119-3516 | TIRE - FRONT & REAR (18 X 8.5 - 8) 4-PLY TRACTION (GR 3050 2008-2010) | 3 |
| 70-8500 | TIRE - FRONT & REAR (19 X 10.5 - 8) 2-PLY TRACTION | 3 |
| 99-4506 | TIRE - FRONT & REAR (20 X 10 - 8) 4 PLY TURF MATE OPT. | 3 |
| 114-4665 | TIRE ASM (GR 3250 2012 & AFTER) | 2 |
| 104-2057 | SENSOR, BRAKE PEDAL ASM (GR 3100/3150 2000-2010) | 1 |
| 93-2270 | HYD HOSE ASM, REAR WHEEL ASM (GR 3250) | 1 |
| 93-2075-01 | BRAKE PEDAL ASM (GR 3250 2000 & UP) | 1 |
| BEARINGS | | |
| See Quick Reference Guide for detailed information on bearing replacements for this model. Page 30-38 | | |
| 251-347 | BEARING - FULL REAR ROLLER ASM (GR 3250) | |
| 251-259 | BEARING - BALL (NEUTRAL ARM) (GR 3250) | 1 |
| 254-70 | ORDER 115-9472 | 2 |
| 115-9472 | CONE - BEARING | 2 |
| 115-9471 | CUP - BEARING | 2 |
| 254-78 | BEARING CONE | 2 |
| 254-79 | BEARING CUP | 2 |
| 108-6542 | PULL LINK ASM | 1 |
| 108-6544 | SPACER (GR 3250D) | 1 |
| 99-4109 | SPACER, CENTER PULL FRAME ASM (GR 3250D) | 1 |
| 125-5222 | BUSHING-ECCENTRIC, MACHINED (GR 3250D 2014 & AFTER) | 1 |
| 92-8995 | BUSHING (GR 3200/3200D/3250D) | 2 |
| 99-4243 | BUSHING-FLANGE, LIFT ARM ASM (GR 3250) | 2 |
| STARTER & ALTERNATORS | | |
| 825095*** | STARTER (3200) (B&S REFERENCE ONLY) | 1 |
| 99-9207 | ORDER 110-2598 | 1 |
| 110-2598 | STARTER (3250D 2008-2011) | 1 |
| 99-9209 | ALTERNATOR (GR 3250D up to 2011) | 1 |
| 99-8193 | RADIATOR (GR 3250D up to 2011) | 1 |
| 112-0278 | SWITCH-REED (GR 3250D) | 2 |
| 93-2090 | FAN - ENGINE (GR 3250 UP TO 2011) | 1 |
| 92-2538 | MODULE-TIMER, CONSOLE ASM (GR 3200/3250) | 1 |
| 100-3190-03 | ENGINE MOUNT ASM (GR 3250 - 2000-2011) | 1 |
| 115-2292 | TIMER - FLOW PLUG (GR 3250 - 2008-2011) | 1 |
| 127-9656 | ENGINE - KUBOTA (GR 3250 - 2014 & AFTER) | 1 |
| 93-2018 | HOSE - RADIATOR (GR 3250 - up to 2011) | 1 |
| 99-1469 | HOSE - RADIATOR (GR 3250 - up to 2011) | 1 |
| 132-6991 | HOUSING - BELL (GR 3250) | 1 |
| 120-5313-03 | MOUNT - ENGINE (GR 3250 2012 & UP) | 1 |

Traction Unit Parts - continued

| Part No. | Description | Qty. |
|------------------------|--|------------|
| HYDRAULIC MOTOR | | |
| 105-0494 | HYDROSTAT ASM (GR 3250 up to 2011) | 1 |
| 112-0238 | MOTOR-WHEEL, HYD (RH) (GR 3250 up to 2011) | 1 |
| 112-0237 | MOTOR-WHEEL, HYD (LH) (GR 3250 up to 2011) | 1 |
| 107-2550 | CABLE-CONTROL, TRACTION | 1 |
| 121-9519 | GEAR PUMP SERVICE KIT (GR 3250D) (GR 3250 up to 2011) | 1 |
| 112-9197 | MANIFOLD ASM W/BACKLAP (GR 3250D) | 1 |
| 120-5341 | ACTUATOR REPLACEMENT KIT (GR 3250D) (GR 3250 up to 2011) | 1 |
| 69-4320 | FITTING-HYD, 90 DEG (GR 3250D) | 1 |
| 125-1984 | SPACER, REEL MOTOR ASM | 5 |
| 93-2270 | HYD HOSE ASM, REAR WHEEL ASM | 1 |
| 108-5675 | HYD HOSE ASM, REAR WHEEL (GR 3250 - 2010 & AFTER) | 1 |
| 115-2292 | TIMER - FLOW PLUG (GR 3250 - 2008-2011) | 1 |
| 340-139 | FITTING - ELBOW (GR 3250 - 2012 & AFTER) | 2 |
| 112-9193 | HOSE - HYD (GR 3250 2007-2014) | 1 |
| 112-9184 | SEAL KIT (GR 3250 2007-2013) | 1 |
| SEAT | | |
| 104-4620 | SEAT-STD | 1 |
| 92-8991 | ADJUSTER - SEAT ASM | 1 |
| 72-9390 | BELT - SEAT (GR 3250 - 2012-2013) | 1 |
| 131-6691 | SEAT COVER, LARGE | 1 |
| 137-1312 | MESH SEAT COVER, LARGE | 1 |
| 99-4208 | SHROUD - CONSOLE (GR 3250 - 2007 & UP) | 1 |
| OTHER | | |
| 112-9170 | Seal-Kit, Hydraulic Cylinder | A/R |
| 94-1304 | CABLE-LOCK, NEUTRAL | 1 |
| 115-5305 | CAP-FUEL (3250D) | 1 |
| 70-9870 | PLATE-BACKING | 1 |
| 125-1984 | SPACER, REEL MOTOR ASM | 1 |
| 99-4201 | TUBE-SPACER, LH & RH LIFT ARM ASM | 1 |
| 100-3172-03 | SCREEN ASM (GR 3250 - 2007 & AFTER) | 1 |
| 104-6478 | SPRING - EXTENSION (GR 3250 - 2012 & AFTER) | 4 |
| 120-3222 | RH REEL NUT ASM (GR 3250 - 2016 & AFTER) | 1 |
| 3234-42 | SCREW - HHF (GR 3250 - 2012 & AFTER) | 1 |
| 325-13 | SCREW - HH (GR 3250 - 2007 & AFTER) | 3 |
| 360-0398 | O-RING (GR 3250 - 2012 & AFTER) | 1 |
| 63-2290 | WASHER - THRUST (GR 3250 - 2008 & AFTER) | 9 |
| 68-3270 | BUMPER - RUBBER (GR 3250 - 2008 & AFTER) | 2 |
| 75-0560 | STEERING WHEEL ASM (GR 3250 - 2008 & AFTER) | 1 |
| 99-4115 | FRONT LIFT FRAME ASM (GR 3250 - 2008 & AFTER) | 2 |
| 99-4116 | REAR LIFT FRAME ASM (GR 3250 - 2007 & AFTER) | 1 |
| 99-4126 | CENTER LIFT ARM ASM (GR 3250 - 2008 & AFTER) | 1 |
| 99-4182-01 | LH CLEVIS ASM (2000 & UP) | 1 |
| 99-4212 | LH LIFT ARM ASM (GR 3250 - 2000 & UP) | 1 |
| 99-4213 | RH LIFT ARM ASM (GR 3250 - 2000 & UP) | 1 |
| 99-4258 | RH LINK BRACKET ASM (GR 3250 - 2008 & AFTER) | 1 |
| 99-4260 | LH LINK BRACKET ASM (GR 3250 - 2007 & AFTER) | 1 |
| 120-3222 | RH REEL NUT ASM (GR 3250 - 2011-2015) | 1 |
| 117-9471 | STEERING KIT - SERVICE (GR 3250) | 1 |
| 119-3555 | RADIATOR (GR 3250 - 2012 & AFTER) | 1 |
| 94-1383 | PEDAL - PIVOT (GR 3250 2000-2009) | 1 |
| 108-6503-03 | CONSOLE ASM (GR 3250 2005-2014) | 1 |
| 32180-030 | CLIP TIE (GR 3250 2012 & UP) | 1 |
| 112-9714-01 | FORK - CASTER (GR 3250 2007 & UP) | 1 |
| 114-4680 | TANK ASM (GR 3250 2008-2015) | 1 |
| 83-0810 | COVER - STEERING | 1 |
| 100-1854 | PLUG - GLOW (GR 3250) | 3 |
| 117-9507 | PEDAL - ACCELERATOR (GR 3250 - 2011 & AFTER) | 1 |
| 120-5261 | CONTROL - THROTTLE (GR 3250 - 2012 & AFTER) | 1 |
| 99-4248 | SPACER (GR 3250 - 2000 & UP) | 1 |
| 112-9174-01 | FORK - CASTER (GR 3250 - 2007 & UP) | 1 |
| 132-6994 | HOUSING - BELL (GR 3250 2016 & UP) | 1 |

GREENSMMASTER — RIDERS
GREENSMMASTER® 3150/3120/3250

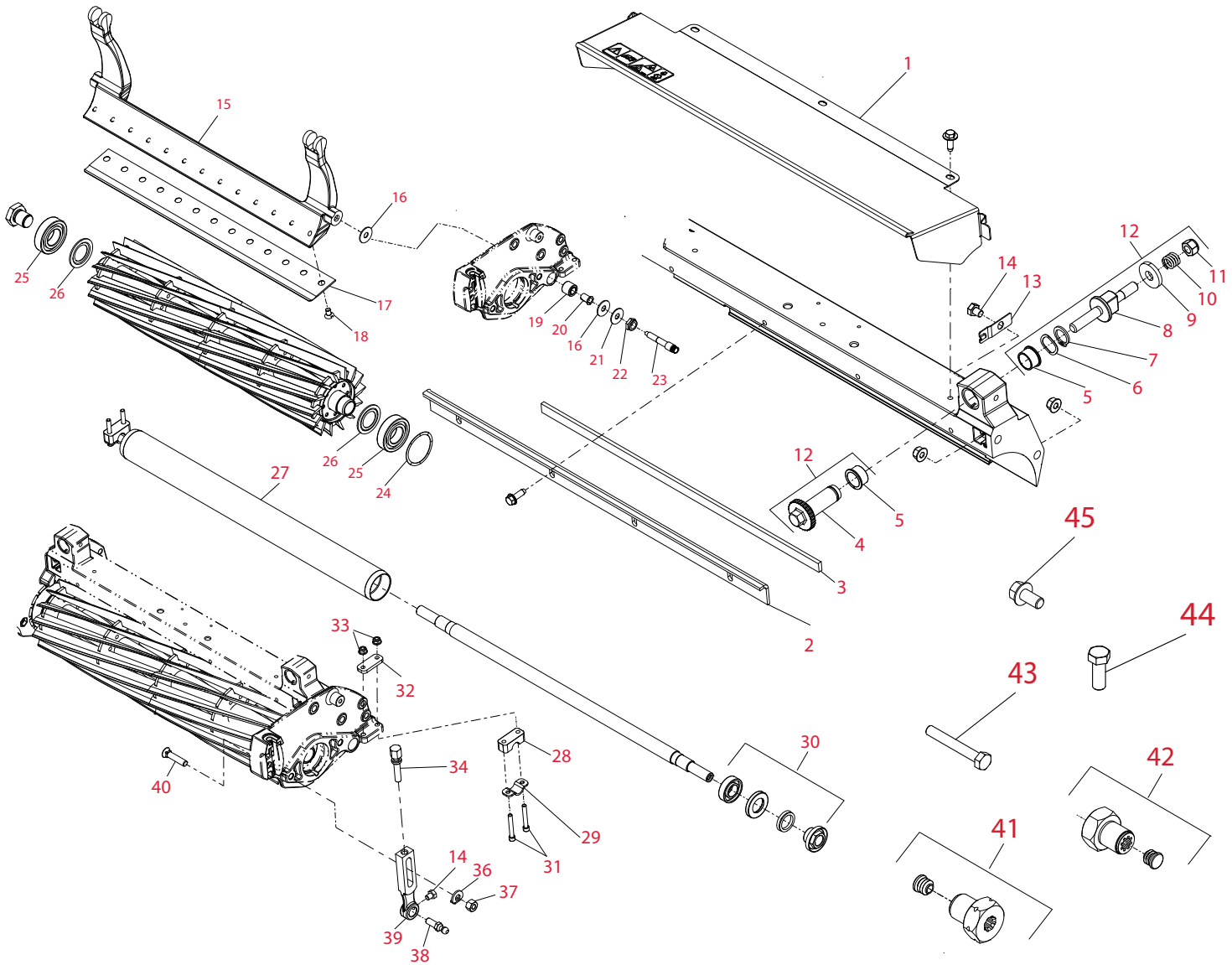


DPA (Dual Point Adjust) Cutting Unit Parts

| Ref. No. | Part No. | Description | Qty. |
|----------|-------------------|---|------------|
| 1 | 119-4095 | GRASS SHIELD ASM (21") | 1 |
| 2 | 115-3303-03 | BAR - CUTOFF | 1 |
| 3 | 106-2619 | STRIP - SEAL | 1 |
| 4 | 106-5363 | SHAFT - ADJUSTER | 2 |
| 5 | 106-5344 | BUSHING - FLANGE, KEYED | 4 |
| 6 | 119-4164 | WASHER - WAVE | 2 |
| 7 | 32120-93 | RING - RETAINING | 2 |
| 8 | 115-7039 | SCREW - ADJUSTER, BEDBAR | 2 |
| 9 | 119-4155 | WASHER - HARDENED | 2 |
| 10 | 119-4156 | SPRING - COMPRESSION | 2 |
| 11 | 119-4039 | NUT - HEX, NI | 2 |
| 12 | 121-2637** | MVP Kit DPA Adjusters | A/R |
| 13 | 99-2097 | DETENT | 2 |
| 14 | 119-4067 | SCREW - HH | 4 |
| 15 | 106-2648-01 | BEDBAR | 1 |
| 15 | 99-3794-03 | BEDBAR - AGGRESSIVE | 1 |
| 16 | 52-2900 | WASHER - PLASTIC | 4 |
| 17 | 108-4302 | BEDKNIFE - TOURNAMENT, EXTENDED | 1 |
| 17 | 108-4303 | BEDKNIFE - MICRO CUT, EXTENDED | 1 |
| 17 | 115-1880 | BEDKNIFE - EDGEMAX, MICRO CUT | 1 |
| 17 | 115-1881 | BEDKNIFE - EDGEMAX, TOURNAMENT | 1 |
| 17 | 63-8610 | BEDKNIFE - FAIRWAY | 1 |
| 17 | 93-4262 | BEDKNIFE - MICRO CUT | 1 |
| 17 | 93-4263 | BEDKNIFE - TOURNAMENT CUT | 1 |
| 17 | 93-4264 | BEDKNIFE - LOW CUT | 1 |
| 17 | 94-6392 | BEDKNIFE - HIGH CUT | 1 |
| 18 | 119-4151 | SCREW - BEDKNIFE | 13 |
| 19 | 119-4153 | RUBBER BUSHING ASM | 2 |
| 20 | 52-2890 | BUSHING - NYLON | 2 |
| 21 | 119-4150 | WASHER - FLAT | 2 |
| 22 | 119-4154 | NUT - LOCK, NI | 2 |
| 23 | 117-9493 | BOLT - BEDBAR | 2 |
| 24 | 115-5258 | SPRING - WIRE, FLAT | 1 |
| 25 | 115-3296 | BEARING - SEALED | 2 |
| 26 | 115-3299 | SEAL - FLOCKED | 2 |
| 27 | 119-4093 | REAR FULL ROLLER ASM | 1 |
| 28 | 119-4166 | SPACER - HEIGHT, ROLLER | 2 |
| 29 | 119-4157 | RETAINER - SHAFT | 2 |
| 30 | 107-1594** | Roller Seal Build Kit | A/R |
| 31 | 119-4035 | SCREW - HSH | 4 |
| 32 | 119-4165 | SHIM - HEIGHT | 2 |
| 33 | 119-4040 | NUT - FLANGE, NI | 4 |
| 34 | 110-7352 | SCREW - HOC | 2 |
| 35 | 119-4067 | SCREW - HH | 2 |
| 36 | 119-4158 | WASHER - HOC | 2 |
| 37 | 115-7193 | NUT - HOC | 2 |
| 38 | 94-2958 | STUD - BALL | 2 |
| 39 | 115-7041 | ARM - HOC | 2 |
| 40 | 99-3773 | BOLT - PLOW | 2 |
| 41 | 120-3221 | LH REEL NUT ASM | 1 |
| 42 | 120-3222 | RH REEL NUT ASM | 1 |
| 43 | 322-11 | SCREW - HH | 2 |
| 44 | 323-6 | SCREW - HH | 2 |
| 45 | 110-1718 | SCREW - HHF | 2 |
| * | 104-0540 | WIEHLE ROLLER TUBE (0.20" SPACING) | 1 |
| * | 104-1834 | IDLER BEARING ASM - REAR ROLLER BRUSH ASM | 1 |
| * | 105-5720 | V-BELT, POLY (3150/3250) | 1 |
| * | 105-5722 | PULLEY - DRIVER, ROLLER BRUSH ASM (3250) | 1 |
| * | 105-6792 | REPLACEMENT REAR ROLLER BRUSH | 1 |
| * | 105-9770 | REEL MOTOR ASSEMBLY (3100 - 2003 & UP) | 1 |
| * | 106-2600-01 | SHIELD - GRASS | 1 |

GREENSMASTER — RIDERS

GREENSMASTER® 3150/3120/3250



DPA (Dual Point Adjust) Cutting Unit Parts - continued

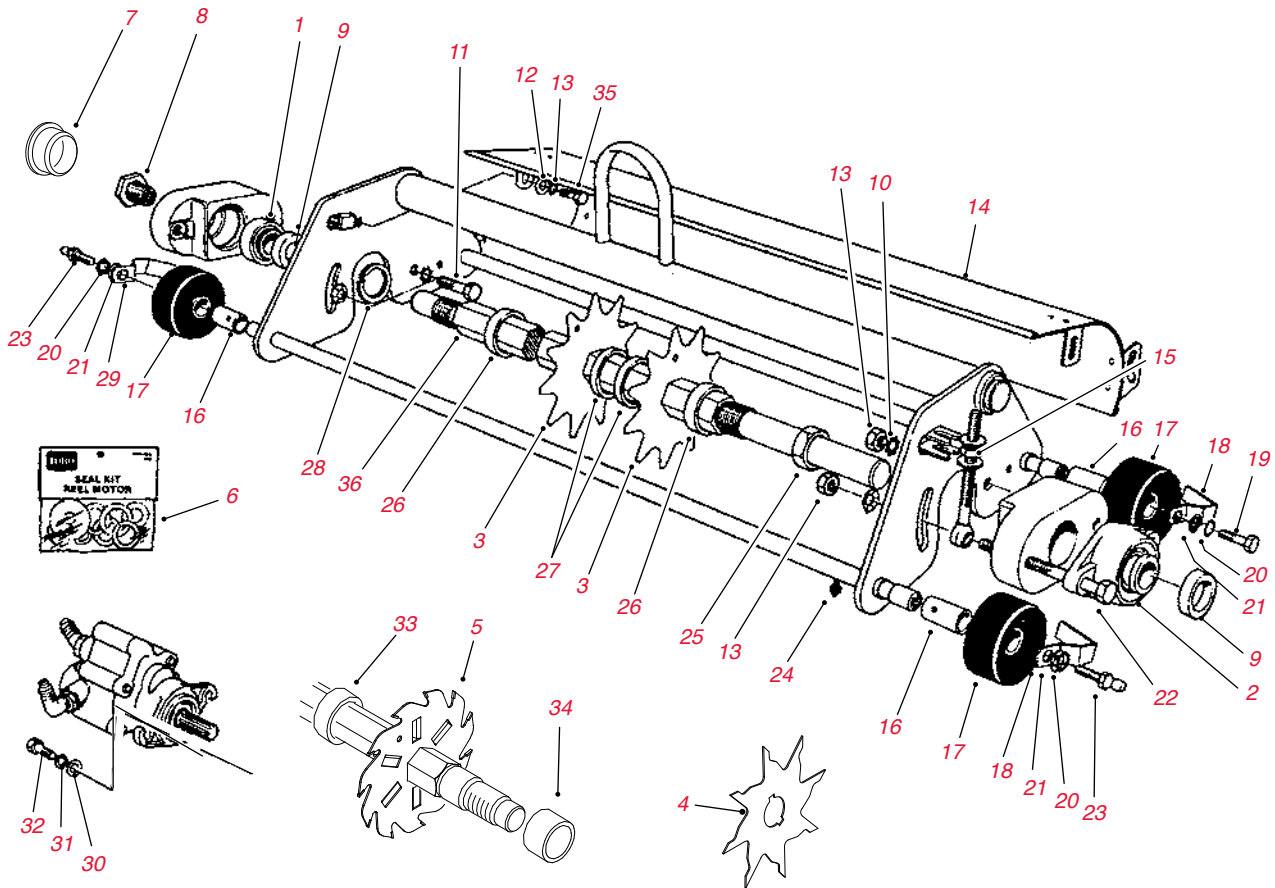
| Ref. No. | Part No. | Description | Qty. |
|----------|-------------------|--|------------|
| * | 106-2630 | IDLER BEAR ASM | 1 |
| * | 106-6362 | SEAL KIT (FOR REEL MOTOR 105-9770) | 1 |
| * | 106-6917 | PULLEY - DRIVEN, RH ROLLER BRUSH ASM (3150/3250) | 1 |
| * | 106-6937** | DPA Reel Seal Kit | A/R |
| * | 106-8535 | RH LIFT ARM ASM, RIGHT HAND GROOMER ASM (3050/3150/3250) | 1 |
| * | 106-9627** | Rear Roller Brush Rebuild MVP Kit | A/R |
| * | 107-1595** | Roller Rebuild MVP Kit (2003) | A/R |
| * | 108-6543 | PULL FRAME ASSEMBLY | 1 |
| * | 108-8625 | ROLLER SHAFT REPLACEMENT KIT | 1 |
| * | 110-2333 | BLADE - GROOMER, HELIX | 41 |
| * | 110-7350 | BRACKET KIT (2004 & UP) | 1 |
| * | 110-7351 | ARM - HOC (2003) | 2 |
| * | 112-7475 | BEDKNIFE - FAIRWAY CUT - EDGEMAX | 1 |
| * | 115-7360 | WIEHLE ROLLER ASSEMBLY (0.20" SPACING) | 1 |
| * | 115-7386 | WIEHLE ROLLER ASSEMBLY (0.93" SPACING) | 1 |
| * | 119-4050 | BOLT - BEDBAR | 2 |
| * | 119-4090 | SHAFT - ROLLER | 1 |

DPA (Dual Point Adjust) Cutting Unit Parts - continued

| Ref. No. | Part No. | Description | Qty. |
|----------|------------|--|------|
| * | 120-2072 | HYDRAULIC MOTOR ASSEMBLY (3050 2003-05) | 1 |
| * | 120-2763 | BELT - GROOMER DRIVE (DPA CUTTING UNITS) | 1 |
| * | 121-9531 | BLADE, GROOMER (CARBIDE TIPPED) | 41 |
| * | 127-2194 | REEL - 11 BLADE (5" DIA - 3050/3100/3150/3250) | 1 |
| * | 127-2195 | REEL - 14 BLADE (5" DIA - 3050/3100/3150/3250) | 1 |
| * | 131-2013 | REEL - 5 BLADE (5" DIA - 3050/3100/3150/3250) | 1 |
| * | 131-2014 | REEL - HD 8 BLADE (5" DIA - 3050/3100/3150/3250) | 1 |
| * | 132-7340 | ORDER 137-8511 | 1 |
| * | 137-8511 | EDGESERIES REELS + - 8 BLADE 21" LOW DRAG | 1 |
| * | 132-7341 | ORDER 137-8512 | 1 |
| * | 137-8512 | EDGESERIES REELS+ - 11 BLADE 21" LOW DRAG | 1 |
| * | 132-7342 | ORDER 137-8513 | 1 |
| * | 137-8513 | EDGESERIES REEL+ - 11 BLADE (5" DIA - GR 3000/3100/3200/3300/3400 - CUTTING UNIT 04613/04614/04615/04618/04619/04624/04651ES/04652ES/04653ES/04654ES/04655ES/04656ES) | 1 |
| * | 93-2489 | BEARING - REEL | 2 |
| * | 95-5719 | BLADE- GROOMER | 41 |
| * | 99-2096 | SCREW - ADJUSTER | 2 |
| * | 99-2098 | WASHER | 2 |
| * | 99-3842 | SEAL - OIL | 2 |
| * | 104-2628 | SCREW - HEX WASHER HD | 8 |
| * | 105-5342 | BOLT - CARRIAGE | 2 |
| * | 105-5700 | WASHER - WAVE | 1 |
| * | 105-5706 | NUT - BEARING LOCKING | 2 |
| * | 105-5775 | RING - RETAINING | 1 |
| * | 106-2607 | SEAL - O-RING | 1 |
| * | 106-4668 | NUT - LOCK, NI | 2 |
| * | 106-5336 | NUT - JAM (2003) | 2 |
| * | 106-6914 | RING - RETAINING | 1 |
| * | 106-6926 | SEAL - GREASE | 2 |
| * | 106-6927 | SLEEVE | 2 |
| * | 106-6929 | SEAL - V-RING | 2 |
| * | 106-6941 | SEAL | 2 |
| * | 106-6942 | V-RING | 2 |
| * | 106-8530 | SEAL (GROOMER SHAFT) | 1 |
| * | 108-3151 | NUT - BEARING LOCK | 2 |
| * | 114-4634 | ADJUSTER (2003) | 2 |
| * | 132-6979 | BEARING - BALL | 2 |
| * | 251-259 | BEARING - BALL (GROOMER & REAR ROLLER BRUSH IDLER) | 3 |
| * | 251-347 | BEARING | 2 |
| * | 253-134 | SEAL - GREASE | 2 |
| * | 32120-15 | RING - RETAINING | 2 |
| * | 32128-48 | NUT - FLANGE | 2 |
| * | 3255-8 | LOCK WASHER | 2 |
| * | 3256-2 | WASHER - FLAT | 2 |
| * | 3296-60 | NUT - LOCK | 2 |
| * | 33025-00 | NUT - LOCK | 2 |
| * | 52-2860 | WASHER | 2 |
| * | 70-1350 | SPACER - GROOMER | 84 |
| * | 94-4507 | COUPLER - SPLINED | 1 |
| * | 107-3509 | LH REEL NUT ASM | 1 |
| * | 119-4095 | GRASS SHIELD ASM | 1 |
| * | 95-1634-01 | FRAME - REEL (GR 3250 2001-2003) | 1 |
| * | 106-4689 | GRASS BASKET ASM (GR 3250 2003 & UP) | 3 |
| * | 94-8199 | TUBE - PIVOT (GR 3250 2000 & UP) | 1 |
| * | 99-4072 | SPACER (GR 3250 2000 & UP) | 1 |

GREENSMMASTER® — RIDERS

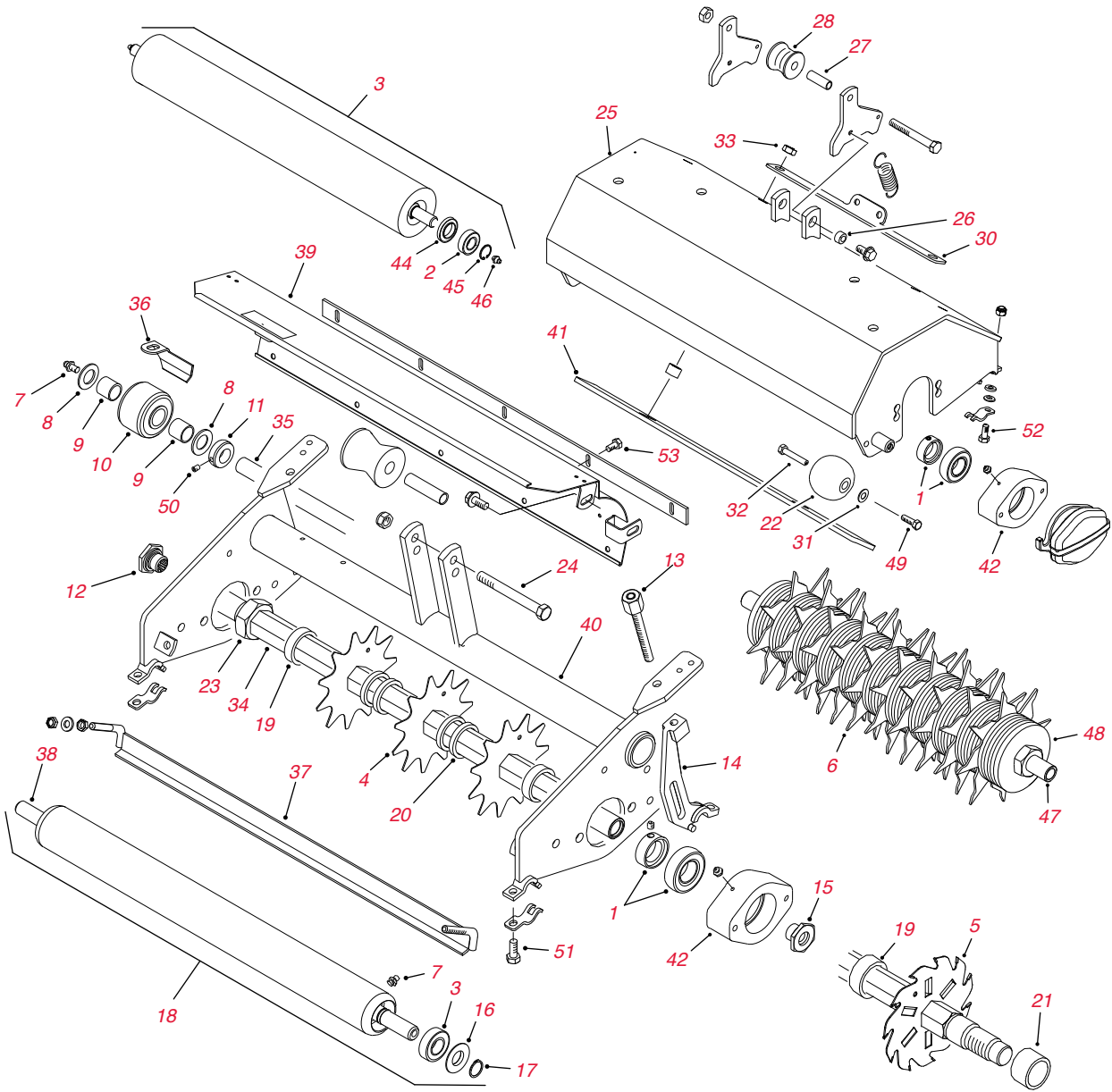
VERTICAL CUTTER ASSEMBLY



Vertical Cutter Assembly

| Ref. No. | Part No. | Description | Qty. |
|----------|-------------------|---|------------|
| 1 | 251-206 | BEARING W/COLLAR | 1 |
| 2 | 251-247 | BEARING | 1 |
| 3 | 17-1590 | DETHATCHING BLADE (STD) | A/R |
| 4 | 20-7380-01 | SPIKER BLADE | 10 |
| 5 | 106-5422 | BLADE - DETHATCHING REEL (1MM CARBIDE TIPPED) | A/R |
| 5 | 106-6355 | BLADE - DETHATCHING REEL (2MM CARBIDE TIPPED) | A/R |
| * | 106-6392** | Dethatching Reel Blade Mvp Kit (108 Blades 106-6355) | A/R |
| 6 | 72-4380 | ORDER 92-8863 | 1 |
| 6 | 75-1270 | ORDER 92-8863 | 1 |
| 6 | 92-8863 | SEAL KIT | 1 |
| 7 | 2410-30 | CAP - PLASTIC | 1 |
| 8 | 10-5100 | ORDER 93-1394 | 1 |
| 8 | 93-1394 | SPLINE NUT | 1 |
| 9 | 251-77 | BEARING LOCK | 2 |
| 10 | 324-6 | CAP SCREW | 2 |
| 11 | 3256-22 | WASHER | 4 |
| 12 | 3255-7 | LOCK WASHER | 4 |
| 13 | 3217-8 | NUT | 2 |
| 15 | 3217-7 | NUT | 2 |
| 16 | 17-1620 | WHEEL BUSHING | 4 |
| 17 | 17-1630 | RUBBER WHEEL | 4 |
| 18 | 17-1640 | SCRAPER | 2 |
| 19 | 3211-3 | ORDER 3211-40 | 2 |
| 19 | 3211-40 | CAP SCREW | 2 |
| 20 | 3254-6 | LOCK WASHER | 4 |
| 21 | 3256-3 | WASHER | 4 |
| 22 | 324-13 | CAP SCREW | 2 |
| 23 | 2411-7 | ORDER 94-2958 | 2 |
| 23 | 94-2958 | STUD - BALL | 2 |
| 24 | 302-5 | GREASE FITTING | 4 |
| 25 | 3220-18 | JAM NUT | 2 |
| 26 | 17-1580 | SPACER | 2 |
| 27 | 17-1600 | SPACER | 72 |
| 29 | 17-1650 | SCRAPER | 2 |
| 30 | 3256-24 | WASHER | 2 |
| 31 | 3255-9 | LOCK WASHER | 2 |
| 32 | 323-6 | CAP SCREW | 2 |
| 33 | 82-6600 | SPACER - WIDE | 2 |
| 34 | 17-1580 | SPACER - NARROW | 35 |
| 35 | 329-1 | SCREW - CAP HEX HD | 4 |

GREENSMMASTER® — RIDERS
DETHATCHER / TRI-ROLLER / SPIKER ASSEMBLIES



GREENMASTER® — RIDERS

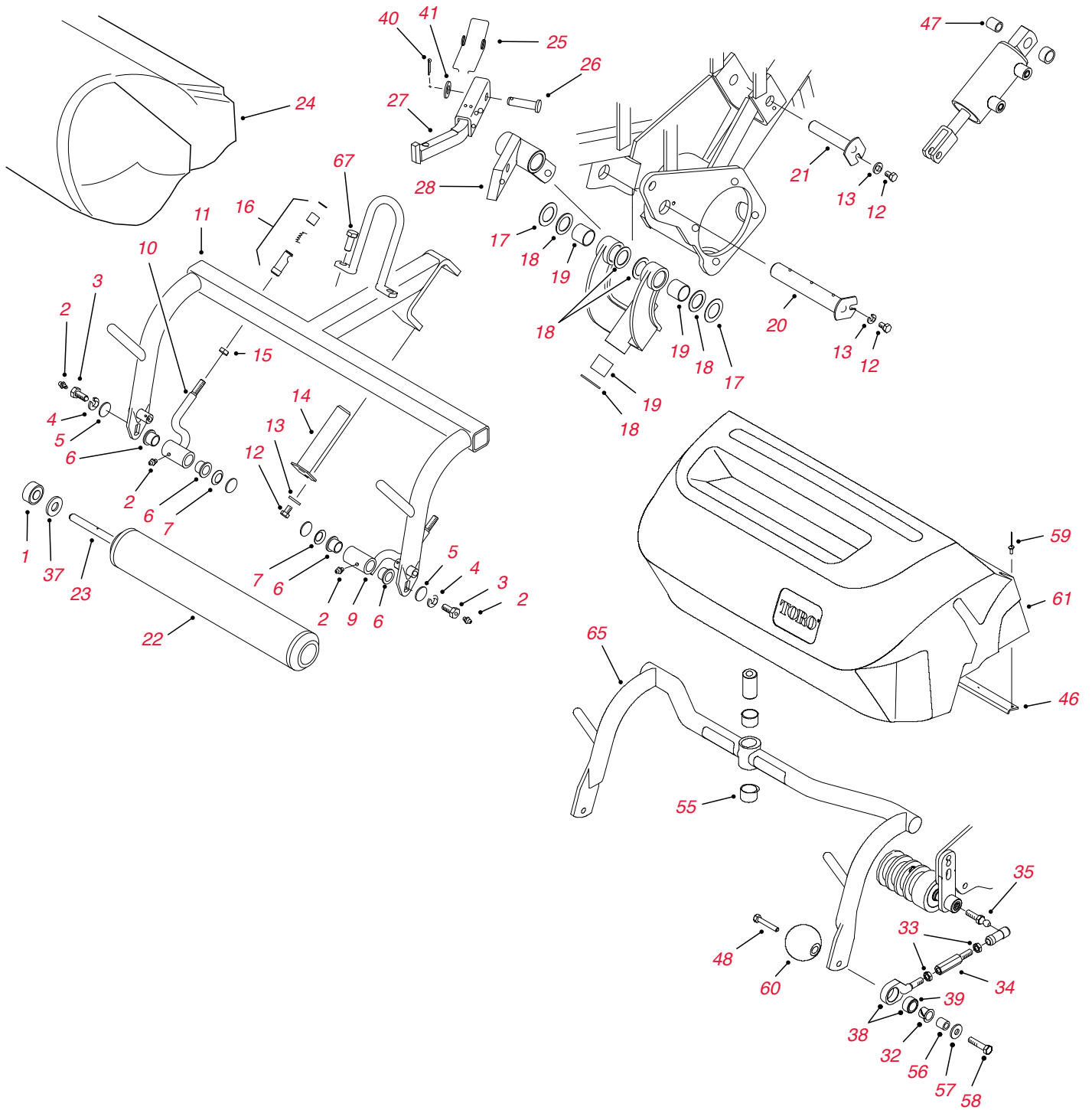
DETHATCHER / TRI-ROLLER / SPIKER ASSEMBLIES

Dethatcher/Tri-Roller/Spiker Assemblies

| Ref. No. | Part No. | Description | Qty. |
|----------|-------------------|---|------------|
| 1 | 94-3405 | BEARING ASSEMBLY | 2 |
| 2 | 93-2559 | BEARING | 2 |
| 3 | 85-9970 | BEARING | 2 |
| 4 | 17-1590 | BLADE - 11 TOOTH (STD) | 37 |
| 5 | 106-5422 | BLADE - DETHATCHING REEL (1MM CARBIDE TIPPED) | 37 |
| 5 | 106-6355 | BLADE - DETHATCHING REEL (2MM CARBIDE TIPPED) | 37 |
| * | 106-6392** | Dethatching Reel Blade MVP Kit (108 Blades 106-6355) | A/R |
| 6 | 99-1612 | BLADE - SPIKER REEL | 10 |
| 7 | 302-5 | FITTING - GREASE | 4 |
| 8 | 257-11 | WASHER - THRUST | 4 |
| 9 | 95-7497 | BUSHING - WHEEL | 4 |
| 10 | 94-9211 | WHEEL ASSEMBLY | 2 |
| 11 | 94-9213 | COLLAR - SHAFT (WITH SET SCREW) | 2 |
| 12 | 93-1394 | NUT - SPLINED RH | 1 |
| 13 | 95-1633 | ADJUSTER - HEIGHT-OF-CUT | 2 |
| 14 | 95-1638 | BRACKET - HEIGHT-OF-CUT | 2 |
| 15 | 94-9214 | NUT - SPLINED LH | 1 |
| 16 | 85-7190 | WASHER - SHIELD | 2 |
| 17 | 32151-12 | RING - RETAINING | 2 |
| 18 | 95-5943 | ROLLER ASSEMBLY | 1 |
| * | 107-1593** | Dethatcher Roller Rebuild MVP Kit | A/R |
| 19 | 17-1580 | Spacer | A/R |
| 20 | 17-1600 | SPACER | 72 |
| 21 | 82-6600 | SPACER - WIDE | 2 |
| 22 | 99-4210 | ROLLER - ANTI-SCALP (SPIKER/TRI-ROLLER) | 2 |
| 23 | 67-5840 | NUT - LOCK | 2 |
| 24 | 33115-080 | SCREW - HEX HD | 1 |
| 25 | 100-6443-01 | FRAME - SPIKER | 1 |
| 27 | 100-6448 | SPACER - ROLLER | 1 |
| 28 | 100-6449 | ROLLER - LIFT | 1 |
| 30 | 100-9818-01 | PLATE - SPRING MOUNT | 1 |
| 31 | 3256-45 | WASHER - FLAT | 4 |
| 32 | 99-4209 | SHAFT - ROLLER (SPIKER/TRI-ROLLER) | 2 |
| 33 | 33026-00 | NUT - LOCK | 2 |
| 34 | 94-9202 | SHAFT - DETHATCHER | 1 |
| 35 | 94-9210 | SHAFT - REAR ROLLER | 1 |
| 36 | 94-9219 | SCRAPER - RIGHT REAR ROLLER | 1 |
| * | 94-9220 | SCRAPER - LEFT REAR ROLLER | 1 |
| 37 | 94-9226 | SCRAPER - FRONT ROLLER | 1 |
| 38 | 95-5946 | SHAFT - FRONT ROLLER | 1 |
| 39 | 98-3551 | SHIELD - GRASS | 1 |
| 40 | 98-3587-01 | DETHATCHER FRAME ASSEMBLY | 1 |
| 41 | 99-1637-01 | PLATE - ROLLER SCRAPER (SPIKER/TRI-ROLLER) | 1 |
| 42 | 95-7148 | HOUSING - BEARING | 2 |
| 43 | 99-1615 | REAR ROLLER ASSEMBLY (SPIKER/TRI-ROLLER) | 1 |
| 44 | 98-2194 | SEAL - GREASE | 2 |
| 45 | 93-2525 | RING - RETAINING | 2 |
| 46 | 302-5 | FITTING - GREASE | 2 |
| 47 | 99-1611 | SHAFT - SPIKER REEL | 1 |
| 48 | 99-1613 | SPACER - SPIKER REEL | 73 |
| 49 | 323-5 | SCREW - HEX HD. (SPIKER/TRI-ROLLER) | 2 |
| 50 | 3245-1 | SCREW - SET | 2 |
| 51 | 33114-016 | SCREW HEX HD | 2 |
| 52 | 33114-025 | SCREW HEX HD | 2 |
| 53 | 104-2065 | SCREW HEX HD | 5 |
| * | 3220-5 | NUT - JAM (SPIKER/TRI-ROLLER) | 6 |
| * | 88-6330 | SPRING - EXTENSION (SPIKER/TRI-ROLLER) | 1 |
| * | 121-6675 | DETHATCHER BLADE KIT, SPRING STEEL | 1 |
| * | 121-6674 | BLADE - ELEVEN TOOTH DETACHER | 1 |

GREENSMMASTER® — RIDERS

CARRIER FRAME & LIFT PIVOT PARTS

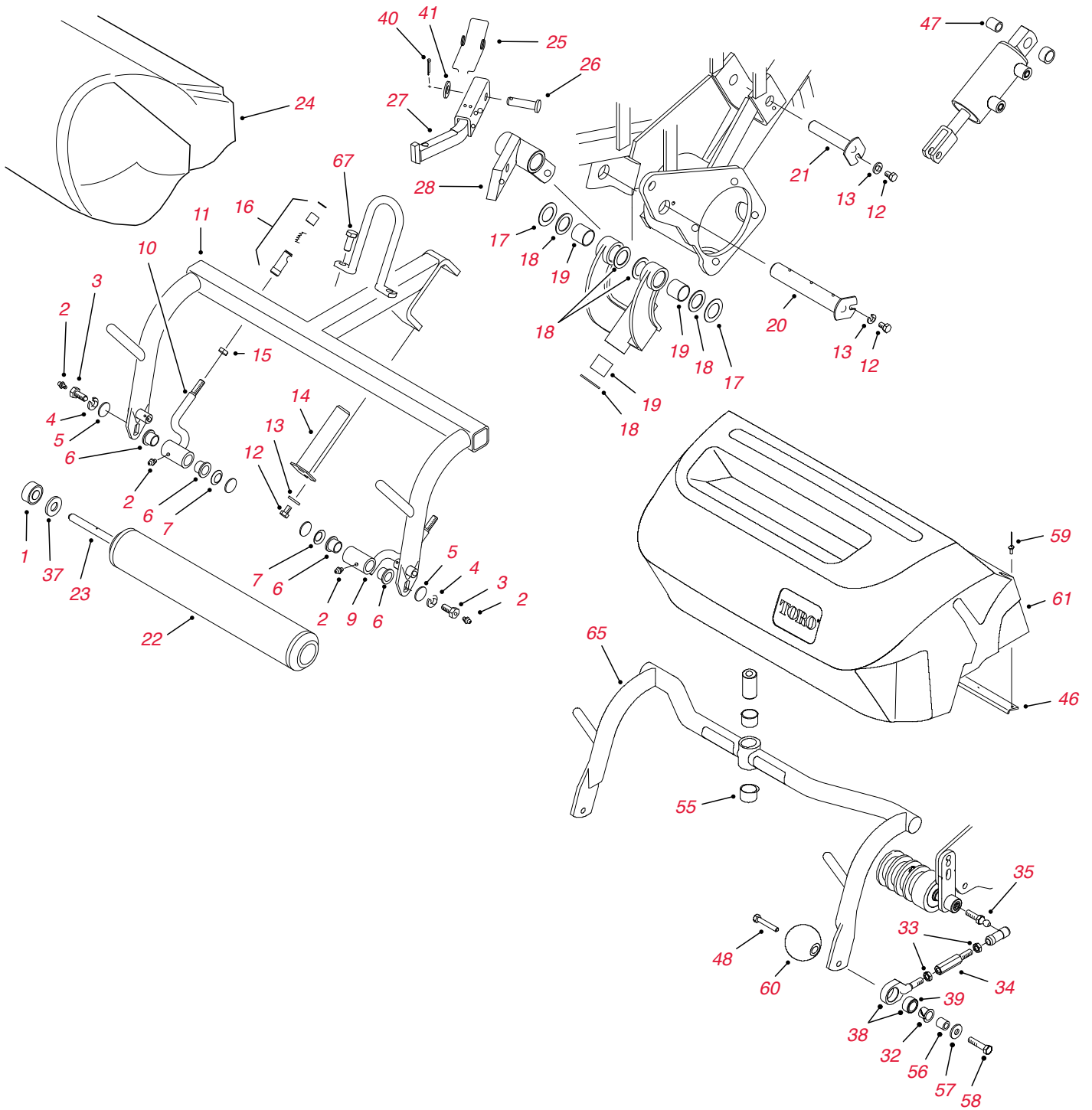


Carrier Frame & Lift Pivot Parts

| Ref. No. | Part No. | Description | Qty. |
|----------|------------|--|------|
| 1 | 133-2378 | BEARING | 2 |
| 2 | 302-5 | GREASE FITTING | 4 |
| 3 | 11-0160 | SCREW | 2 |
| 4 | 3253-21 | LOCK WASHER | 2 |
| 5 | 3256-24 | WASHER | 2 |
| 6 | 3-1506 | BUSHING | 4 |
| 7 | 3290-317 | WASHER | 2 |
| 9 | 52-2740 | ORDER 92-0586 | 1 |
| 9 | 92-0586 | PULL ARM LH (1984 & UP) | 1 |
| 10 | 52-2750 | ORDER 92-0585 | 1 |
| 10 | 92-0585 | PULL ARM RH (1984 & UP) | 1 |
| 11 | 86-9810-01 | PULL FRAME LH (3000 1989-94) | 1 |
| 11 | 104-2056 | ORDER 136-8446 | 1 |
| | 136-8446 | PULL FRAME CENTER (3000 1989-94) | |
| 11 | 136-8484 | PULL FRAME LH (3000/3050/3100/3150 1995 - 2006) | 1 |
| 11 | 136-8483 | PULL FRAME RH (3000/3050/3100/3150 1995 - 2006) | 1 |
| 11 | 104-2056 | ORDER 136-8446 | 1 |
| * | 136-8446 | PULL FRAME CENTER (3000 1995-06) | |
| 11 | 112-0284 | ORDER 136-8485 | |
| 11 | 136-8408 | ORDER 136-8485 | 1 |
| * | 136-8485 | FRAME - PULL, CENTER | 1 |
| 11 | 105-0451 | ORDER 136-8485 | 1 |
| * | 136-8485 | FRAME - PULL, CENTER | 1 |
| 12 | 322-1 | SCREW - CAP HEX HD (FOR 10-6110/27-2550/115-3260 PINS) | 3 |
| 12 | 32144-14 | SCREW - CAP HEX HD (FOR 94-8198 PIN) | 3 |
| 13 | 3253-4 | LOCK WASHER | 3 |
| 14 | 10-6090 | PIVOT PIN | 1 |
| 15 | 3220-3 | NUT | 2 |
| 16 | 8-7710 | ORDER 99-1460 | 2 |
| 16 | 94-2959 | ORDER 99-1460 | 2 |
| 16 | 99-1460 | BALL JOINT RECEIVER ASSY. | 2 |
| 17 | 5-1226 | WASHER - SHIM | 2 |
| 18 | 10-8110 | PIVOT PIN WASHER | 6 |
| 19 | 3-0348 | ORDER 125-5196 | 4 |
| 19 | 125-5196 | BUSHING | 4 |
| 20 | 10-6110 | ORDER 115-3259 | 1 |
| 20 | 114-4683 | HINGE PIN ASM | 1 |
| 20 | 115-3259 | PIN - HINGE (GR 3/300/3000/3050/3100 RH & LH) | 1 |
| 20 | 27-2550 | ORDER 115-3260 | 1 |
| 20 | 115-3260 | PIN - HINGE (GR 3/300/3000/3050/3100/3150 CTR/REAR) | 1 |
| 20 | 94-8198 | PIN - HINGE (GR 3200 SERIES RH/LH) | 1 |
| 21 | 10-6060 | ORDER 120-3199 | 1 |
| 21 | 120-3199 | PIN - PIVOT | 1 |
| 22 | 52-2720 | ORDER 133-2337 | 1 |
| 22 | 133-2337 | ROLLER ASSEMBLY | 1 |
| 23 | 21-8470 | SHAFT | 1 |
| 24 | 37-8130 | ORDER 36-7250 | 1 |
| 24 | 36-7250 | GRASS BASKET | 1 |
| 25 | 57-7650 | SPRING - TORSION | 3 |
| 26 | 57-7630 | ORDER 63-8750 | 3 |
| 26 | 63-8750 | PIN - PIVOT | 3 |
| 27 | 62-2390-01 | BAR - LIFT (LH) | 1 |
| 27 | 62-2420-01 | BAR - LIFT (RH & CTR) | 1 |
| 27 | 94-5586-01 | BAR - LIFT (LH 3000/3100/3050) | 1 |
| 27 | 94-5588-01 | BAR - LIFT (RH 3000/3100/3050) | 1 |

GREENSMMASTER® — RIDERS

CARRIER FRAME & LIFT PIVOT PARTS



Carrier Frame & Lift Pivot Parts - continued

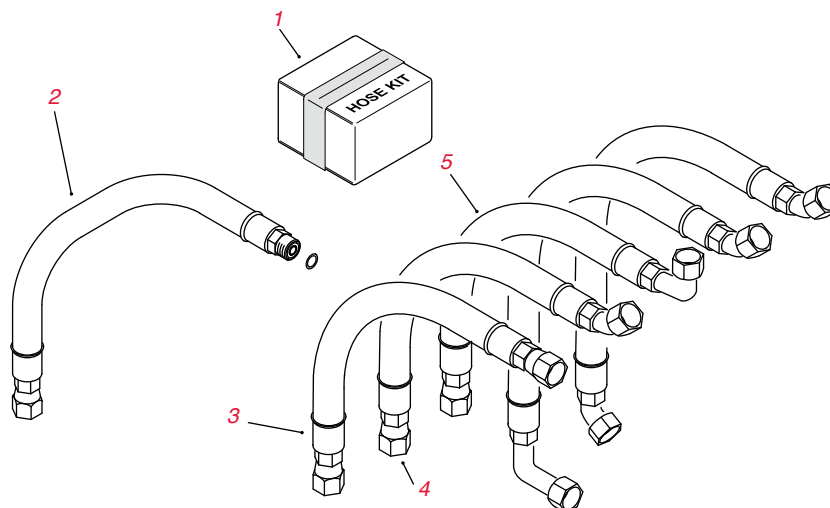
| Ref. No. | Part No. | Description | Qty. |
|----------|-----------|---|------|
| 28 | 62-2440 | LIFT ARM (RH) (INCL #19) | 1 |
| 28 | 62-2460 | LIFT ARM (LH) (INCL #19) | 1 |
| 28 | 68-5380 | LIFT ARM (CTR) (INCL #19) | 1 |
| 31 | 104-2091 | ROLLER - ANTI SCALP (3200) | 3 |
| 32 | 256-292 | BUSHING - FLANGE | 6 |
| 33 | 3220-3 | NUT - JAM | 12 |
| 34 | 88-6870 | EXTENSION - PULL ARM | 6 |
| 35 | 99-4270 | EXTENSION - PULL ARM (GR 3250D 2004 & UP) | 6 |
| 35 | 94-2958 | BALL STUD | 6 |
| 37 | 253-83 | SEAL - ROLLER | 2 |
| 38 | 100-6440 | PULL LINK AND BUSHING ASSEMBLY | 2 |
| 39 | 95-0532 | BUSHING - RUBBER | 2 |
| 40 | 3272-12 | PIN - COTTER | 3 |
| 41 | 3256-26 | WASHER - FLAT | 3 |
| 46 | 104-2607 | STRIP - BASKET | 1 |
| 47 | 105-3838 | SPACER - LIFT CYLINDER (GR 3250) | 2 |
| 48 | 99-4209 | SHAFT - ROLLER (GR 3250) | 2 |
| 55 | 98-4166 | BUSHING - SLEEVE | 2 |
| 56 | 75-5270 | SPACER | 2 |
| 57 | 80-6990 | WASHER - HARDENED | 2 |
| 58 | 323-8 | SCREW - HEX HD. | 2 |
| 59 | 3290-382 | RIVET - POP | 8 |
| 60 | 99-4210 | ROLLER - ANTI SCALP | 6 |
| 61 | 99-4105 | ORDER 104-2071 | 3 |
| 61 | 104-2071 | GRASS BASKET ASSEMBLY (GR 3250D) | 3 |
| 65 | 99-4114 | ORDER 136-8577 | 3 |
| * | 136-8577 | PULL FRAME ASM | 3 |
| 67 | 33115-025 | SCREW - HEX HD. | 2 |

GREENSMASTER® — RIDERS

HYDRAULIC HOSES

Hydraulic Hoses

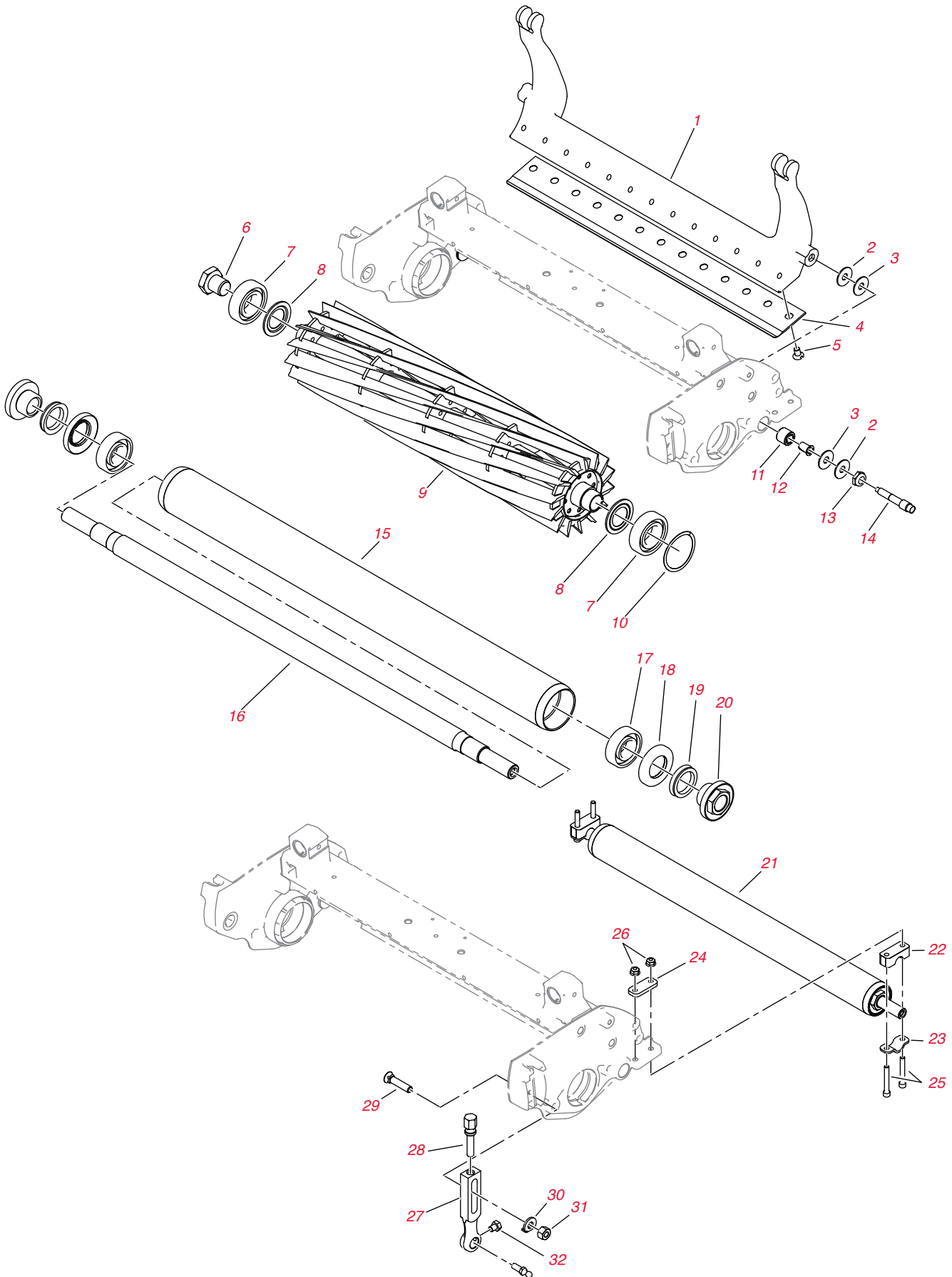
| Ref. No. | Part No. | Description | Qty. |
|----------|------------|--|------|
| 1 | 98-0642** | Cutting Unit Hydraulic Hose MVP Kit (3000/3050/3100) | 1 |
| 1 | 117-2725** | Cutting Unit Hydraulic Hose MVP Kit (3150 2006 & Up) | 1 |
| 1 | 117-2721** | Cutting Unit Hydraulic Hose MVP Kit (3250 2006 & Up) | 1 |
| 1 | 136-8519** | Cutting Unit Hydraulic Hose MVP Kit (3300/3400) | 1 |
| 2 | 63-3850 | HOSE ASSEMBLY (GR 3000/3100) LH Cylinder Drop | 1 |
| 2 | 63-3890 | HOSE ASSEMBLY (GR 3000) LH Cylinder Lift Rear Cylinder Lift | 2 |
| 2 | 83-1690 | HOSE ASSEMBLY (GR 3050/3100) LH Cylinder Lift | 1 |
| 2 | 92-9767 | HOSE ASSEMBLY (GR 3000/3100) RH Cylinder Lift | 1 |
| 2 | 95-5984 | HOSE ASSEMBLY (GR 3000/3100) RH Reel Pressure | 1 |
| 2 | 95-5988 | HOSE ASSEMBLY (GR 3100) LH Reel Pressure | 1 |
| 3 | 10-7670 | HOSE ASSEMBLY (GR 3/300) LH Reel Return | 1 |
| 3 | 27-2060 | HOSE ASSEMBLY (GR 3/300) Rear Reel Return | 1 |
| 3 | 63-3830 | ORDER 95-5989 | 1 |
| 3 | 83-1350 | HOSE ASSEMBLY (GR 3100) Power Steering Right Turn | 1 |
| 3 | 83-1360 | HOSE ASSEMBLY (GR 3100) Power Steering Left Turn | 1 |
| 3 | 93-2258 | HOSE ASSEMBLY Rear Cylinder Lift (3200) | 1 |
| 3 | 95-2908 | HOSE ASSEMBLY (GR 3150/3200/3250) Right and Left Reel Pressure | 1 |
| 3 | 95-5985 | HOSE ASSEMBLY (GR 3100) RH Reel Return | 1 |
| 3 | 95-5987 | HOSE ASSEMBLY (GR 3100) Rear Reel Return | 1 |
| 3 | 95-5989 | HOSE ASSEMBLY (GR 3000/3100) LH Reel Return | 1 |
| 4 | 63-3930 | HOSE ASSEMBLY (GR 3000) Rear Cylinder Drop | 1 |
| 4 | 63-3950 | HOSE ASSEMBLY (GR 3000) RH Cylinder Drop | 1 |
| 4 | 95-5986 | HOSE ASSEMBLY (GR 3100) Rear Reel Pressure | 1 |
| 5 | 83-1680 | HOSE ASSEMBLY (GR 3050/3100) Rear Cylinder Drop | 1 |
| 5 | 93-2254 | HOSE ASSEMBLY (GR 3200/3250) RH Cylinder Lift/Drop | 1 |
| 5 | 93-2255 | HOSE ASSEMBLY (GR 3200/3250) LH Cylinder Lift | 1 |
| 5 | 93-2256 | HOSE ASSEMBLY (GR 3200/3250) LH Cylinder Drop | 1 |
| 5 | 93-2264 | HOSE ASSEMBLY (GR 3200/3250) Reel Motor Case Drain | 1 |
| 5 | 95-2907 | HOSE ASSEMBLY (GR 3200/3250) Rear Reel Pressure | 1 |
| 5 | 95-2909 | HOSE ASSEMBLY (GR 3150/3200/3250) Right and Left Reel Return | 1 |
| 5 | 94-1328 | HOSE ASSEMBLY Rear Reel Motor Case Drain (3200) | 1 |
| 5 | 94-3477 | HOSE ASSEMBLY Rear Cylinder Drop (3200) | 1 |
| * | 112-9185 | HOSE ASSEMBLY (GR 3150 - 2007-2014) Hydraulic Lift | 1 |
| * | 112-9185 | HOSE ASSEMBLY (GR 3250 - 2007 & AFTER) Center Lift Arm | 1 |
| * | 94-5357 | HOSE ASSEMBLY (GR 3250 - UP TO 2014) Front Wheel and Brake | 2 |
| * | 94-5358 | HOSE ASSEMBLY (GR 3250 - 2007-2014) Front Wheel and Brake | 2 |
| * | 99-6193 | HOSE ASSEMBLY (GR 3150 - 2007 & AFTER) Hydraulic Traction | 1 |



TriFlex® & TriFlex Hybrid Traction Unit

| | Part No. | Description | Qty. |
|---------------------------------|---|---|------------|
| FILTERS | | | |
| | 30042** | 400 Hour Filter Kit (3300/3320) | A/R |
| | 30043** | 400 Hour Filter Kit (3400/3420) | A/R |
| | 110-9049 | FILTER-SPIN ON (3400/3420) | 1 |
| | 108-3811 | AIR FILTER (3400/3420) | 1 |
| | 108-5194 | HYDRAULIC OIL FILTER | 1 |
| | 115-7854 | FUEL FILTER, IN-LINE (3300/3320) | 1 |
| | 94-2690 | FUEL FILTER (3300/3320) | 1 |
| | 115-8189 | ENGINE OIL FILTER (3400/3420, 2014 & UP) | 5 |
| BEARINGS | | | |
| | See Quick Reference Guide for detailed information on bearing replacements for this model. Page 30-38 | | |
| | 254-72 | BEARING RACE - TAPERED CUP | 2 |
| | 254-94 | BEARING ASSEMBLY - TAPERED CONE (2011-2013) | 2 |
| | 115-9471 | ROLLER BEARING ASSEMBLY - TAPERED CUP | 2 |
| | 115-9472 | ROLLER BEARING ASSEMBLY - TAPERED CONE | 2 |
| | 251-259 | BALL BEARING ASSEMBLY - SEALED | 1 |
| | 106-4237 | BEARING (3300/3400 - 2011 & AFTER) | 2 |
| BELTS | | | |
| | 119-4486 | V-BELT | 1 |
| | 117-4464 | V-BELT | 1 |
| | 105-5720 | V-BELT, POLY | 1 |
| STARTER & ALTERNATOR | | | |
| | 117-5541 | ALTERNATOR | 1 |
| | 110-3800 | STARTER | 1 |
| TIRES | | | |
| | 117-9031 | ORDER 120-2783 | 1 |
| | 120-2783 | TIRE (19 x 10.5-8) 4-PLY | 1 |
| SEAT | | | |
| | 131-6691 | SEAT COVER, LARGE | 1 |
| | 137-1312 | MESH SEAT COVER, LARGE | 1 |
| | 32180-030 | CLIP - TIE | 1 |
| | 66-2630 | LATCH - SEAT | 1 |
| OTHER | | | |
| | 104-4620 | SEAT (STD) | 1 |
| | 125-1984 | SPACER, TRACTION LINE ASM | 5 |
| | 104-6478 | SPRING - EXTENSION (3400/3420) | 4 |
| | 32149-2 | NUT - KEPS (GR 3300/3320) | 1 |
| | 3234-42 | SCREW - HHF (GR 3300/3320/3400/3420) | 2 |
| | 325-12 | SCREW - HH (GR 3300/3320/3400/3420) | 2 |
| | 325-13 | SCREW - HH (GR 3320) | 1 |
| | 340-139 | FITTING - ELBOW 90 (GR 3300/3320/3400/3420) | 2 |
| | 68-3270 | BUMPER - RUBBER (GR 3300/3320/3400/3420) | 2 |
| | 74-1810 | WASHER (GR 3320/3420) | 2 |
| | 75-0560 | STEERING WHEEL ASM (GR 3300/3320/3400/3420) | 1 |
| | 92-2739 | PIN - CLEVIS (GR 3300/3320/3400/3420) | 3 |
| | 120-3230 | SHAFT ASM | 1 |
| | 100-1854 | PLUG - GLOW (3400/3420) | 3 |
| | 119-1652 | THROTTLE (3300/3320) | 1 |
| | 114-3315 | SOLENOID (3300/3320) | 1 |
| | 117-9507 | PEDAL - ACCELERATOR | 1 |
| | 117-9875 | JOINT - BALL | 3 |
| | 119-1735 | CABLE - CONTROL, TRACTION (3300/3320) | 1 |
| | 112-5757 | MOUNT - ENGINGE, RUBBER (3300/3320) | 2 |
| | 132-6994 | HOUSING - BELL (3400) | 1 |

GREENSMMASTER — RIDERS
GREENSMMASTER® TRIFLEX® & TRIFLEX® HYBRID



TriFlex¹ & TriFlex Hybrid DPA Cutting Unit

| Ref. No. | Part No. | Description | Qty. |
|----------|-------------|--|------|
| 1 | 106-2648-01 | BEDBAR | 1 |
| 2 | 119-4150 | WASHER-FLAT | 4 |
| 3 | 52-2900 | WASHER-PLASTIC | 4 |
| 4 | 115-1881 | BEDKNIFE-EDGEMAX, TOURNAMENT | 1 |
| 4 | 93-4262 | BEDKNIFE-MICROCUT | 1 |
| 4 | 94-6392 | BEDKNIFE-HIGHCUT | 1 |
| 4 | 93-4263 | BEDKNIFE-TOURNAMENT CUT | 1 |
| 4 | 63-8610 | BEDKNIFE-FAIRWAY | 1 |
| 4 | 108-4303 | BEDKNIFE-MICROCUT, EXTENDED | 1 |
| 4 | 108-4302 | BEDKNIFE-TOURNAMENT CUT, EXTENDED | 1 |
| 4 | 93-4264 | BEDKNIFE-LOW CUT | 1 |
| 4 | 115-1880 | BEDKNIFE-EDGEMAX, MICROCUT | 1 |
| 5 | 57-4910 | ORDER 119-4151 | 13 |
| 5 | 119-4151 | SCREW-SPECIAL | 13 |
| 6 | 115-7263 | SCREW-LOCK, BEARING | 1 |
| 7 | 115-3296 | BEARING-SEALED | 2 |
| 8 | 115-3299 | SEAL-FLOCKED | 2 |
| 9 | 119-4103 | ORDER 137-8511 | |
| 9 | 127-2200 | ORDER 137-8511 | 1 |
| * | 137-8511 | EDGESERIES REELS + - 8 BLADE 21" LOW DRAG | 1 |
| 9 | 132-7340 | EDGESERIES REEL - 8 BLADE (5" DIA - GR 3000/3100/3200/3300/3400) | 1 |
| 9 | 119-4104 | ORDER 137-8512 | |
| 9 | 127-2201 | ORDER 137-8512 | 1 |
| * | 137-8512 | EDGESERIES REELS + - 11 BLADE 21" LOW DRAG | 1 |
| 9 | 132-7341 | EDGESERIES REEL - 11 BLADE (5" DIA - GR 3000/3100/3200/3300/3400) | 1 |
| 9 | 119-4105 | ORDER 137-8513 | 1 |
| 9 | 127-2202 | ORDER 137-8513 | 1 |
| * | 137-8513 | EDGESERIES REELS + - 14 BLADE 21" LOW DRAG | 1 |
| 9 | 132-7342 | ORDER 137-8513 | 1 |
| * | 137-8513 | EDGESERIES REEL+ - 14 BLADE - (5" DIA - GR 3000/3100/3200/3300/3400) | 1 |
| 10 | 115-5258 | SPRING-FLAT WIRE | 1 |
| 11 | 119-4153 | RUBBER BUSHING ASM | 2 |
| 12 | 52-2890 | BUSHING-NYLON | 2 |
| 13 | 119-4154 | NUT-LOCK, NI | 2 |
| 14 | 117-9493 | BOLT-BEDBAR | 2 |
| 15 | 119-4092 | ROLLER TUBE ASM | 1 |
| 16 | 119-4090 | SHAFT-ROLLER | 1 |
| 17 | 251-347 | BEARING-BALL | 2 |
| 18 | 106-6941 | SEAL | 2 |
| 19 | 106-6942 | V-RING | 2 |
| 20 | 108-3151 | NUT-LOCK, BEARING | 2 |
| 21 | 119-4093 | REAR FULL ROLLER ASM | 1 |
| 22 | 119-4166 | SPACER-HEIGHT, ROLLER | 2 |
| 23 | 119-4157 | RETAINER-SHAFT | 2 |
| 24 | 119-4165 | SHIM-HEIGHT, ROLLER | 2 |
| 25 | 119-4035 | SCREW-HSH | 4 |
| 26 | 119-4040 | NUT-FLANGE, NI | 4 |
| 27 | 115-7041 | ARM-HOC | 2 |
| 28 | 110-7352 | SCREW-HOC | 2 |
| 29 | 99-3773 | BOLT-PLOW | 2 |
| 30 | 119-4158 | WASHER-HOC | 2 |
| 31 | 115-7193 | NUT-HOC | 2 |
| 32 | 119-4067 | SCREW-HH | 2 |
| * | 105-6792 | REPLACEMENT REAR ROLLER BRUSH | 1 |
| * | 104-1834 | IDLER BEARING ASM - REAR ROLLER BRUSH ASM | 1 |
| * | 107-3509 | STEEL ROLLER ASM (GR 3300/3400) | 1 |
| * | 110-7352 | SCREW - HOC (GR 3300/3400) | 2 |
| * | 117-6619 | BUSHING (3300/3400) | 1 |
| * | 119-4095 | GRASS SHIELD ASM (3300/3400) | 1 |
| * | 120-3221 | LH REEL NUT ASM | 1 |
| * | 360-0398 | O-RING (GR 3300/3400) | 1 |
| * | 132-6959 | BALLJOINT | 6 |

REELMASTER®

112 Reelmaster® 216 / 2000D / 2300D / 2600D / 3100D

124 Reelmaster 335D / 3500D / 450D / 4000D / 4500D

132 Reelmaster 223D / 5100D / 5200D / 5300D / 5500D

140 Reelmaster 5010-H / 5210 / 5410 / 5510 / 5610

148 Reelmaster 5500D / 6500D / 6700D

158 Reelmaster 7000D

164 Reelmaster 3550D / 3555 / 3575



REELMASTER

REELMASTER® 216 / 2000D / 2300D / 2600D / 3100D

Traction Unit Parts

| Part No. | Description | Qty. |
|---|---|------------|
| FILTERS | | |
| 30016** | 400 Hour Filter MVP Kit (RM 3100D - 1999-07) | A/R |
| 30053** | 400 Hour Filter MVP Kit (RM 3100D - 2008 & Up) | A/R |
| 85-4930 | FILTER - ENGINE OIL (RM 216D, 2300D, 2600D) | 1 |
| 492932S | ORDER 107-7817 | 1 |
| 107-7817 | FILTER - ENGINE OIL (GP 2000) | 1 |
| 99-9017 | ORDER 108-3842 | 1 |
| 108-3842 | FILTER - ENGINE OIL (GP 2000D/RM 2000D) | 1 |
| 98-9651 | ORDER 108-3841 | 1 |
| 99-8384 | ORDER 108-3841 | 1 |
| 104-5167 | ORDER 108-3841 | 1 |
| 108-3841 | FILTER - ENGINE OIL (RM 3100D) | 1 |
| 98-9493 | ELEMENT - BREATHER (RM 3100D) | 1 |
| 33-1300 | ORDER 108-3808 | 1 |
| 108-3808 | ELEMENT - AIR CLEANER (RM 216D) | 1 |
| 93-2195 | ORDER 108-3811 | 1 |
| 108-3811 | ELEMENT - AIR CLEANER (RM 2000D, 2300D, 2600D, 3100D) | 1 |
| 38-8000 | ORDER 108-3854 | 1 |
| 108-3854 | FILTER - FUEL | 1 |
| 98-7612 | FILTER - FUEL, PLASTIC (RM 3100) | 1 |
| 108-3828 | FILTER - FUEL, METAL (RM 3100) | 1 |
| 63-8300 | ELEMENT - SEPARATOR (GP 2000D/RM 2000D) | 1 |
| 98-9764 | ELEMENT - SEPARATOR (RM 3100D 1999-2007) | 1 |
| 110-9049 | ELEMENT - SEPARATOR (RM 3100D 2008 & UP) | 1 |
| 112-9140 | BIO-DIESEL FUEL FILTER KIT (RM 3100D) | 1 |
| 112-7836 | IN-LINE FUEL FILTER (BIO-DIESEL KIT RM3100D) | 1 |
| 110-9015 | ELEMENT - SEPARATOR (BIO-DIESEL KIT RM 3100D) | 1 |
| 98-9305 | WATER/FUEL FILTER ASSEMBLY (RM 3100D 1999-2007) | 1 |
| 54-0110 | FILTER - HYDRAULIC OIL | 1 |
| BELTS | | |
| 61-3390 | BELT - JACKSHAFT DRIVE (RM216) | 1 |
| 61-3380 | V-BELT - REEL DRIVE (RM 216) | 1 |
| 83-9020 | V-BELT - COOLING FAN DRIVE (RM216D) | 1 |
| 130-1241 | V-BELT - ALTERNATOR DRIVE (RM 3100D) | 1 |
| 92-3187 | MULTI-ROW V-BELT - JACKSHAFT DRIVE (RM 216D) | 3 |
| 61-3400 | MULTI-ROW V-BELT - PUMP DRIVE (RM216) | 1 |
| 93-6840 | MULTI-ROW V-BELT - PUMP DRIVE (RM 2000D/2300D/2600D) | 1 |
| 95-8730 | MULTI-ROW V-BELT - PUMP DRIVE (RM 3100D) | 1 |
| TIRES | | |
| 119-3516 | Tire - Front (& Rear 3Wd) (18 X 8.5 - 8) 4 Ply (216/216D) | A/R |
| 231-114 | ORDER 231-122 | 1 |
| 231-122 | TIRE - REAR (18 X 6.5 - 8) 4 PLY (2WD) (216/216D) | 1 |
| 99-4506 | TIRE - FRONT & REAR (20 X 10 - 8) 4-PLY TURF-MATE (2000 SER) | 2 |
| 104-0451 | ORDER 117-5125 | 2 |
| 117-5125 | TIRE (20 X 12 - 10) 4-PLY TURF TRAC (3100D, 2010 MODEL) | 1 |
| 95-8656 | Order 115-1572 | |
| 115-1572 | TIRE (20 X 10 - 10) 4-PLY TURF TRAC (3100D, 2010 MODEL - CURRENT) | 1 |
| BEARINGS | | |
| See Quick Reference Guide for detailed information on bearing replacements for this model. Page 30-38 | | |
| 94-3405 | BEARING - BALL (RM216 JACKSHAFT) | 2 |
| 251-321 | BEARING - REAR WHEEL | 2 |
| 251-8 | BEARING - BALL | 1 |
| 251-259 | BEARING - BALL (NEUTRAL ARM - 216/2300D/2600D/3100D) | 1 |
| 38-7820 | BEARING - BALL (RM216 JACKSHAFT IDLER) | 2 |
| 251-77 | BEARING COLLAR | 2 |

Traction Unit Parts - continued

| | Part No. | Description | Qty. |
|---------------------------------|-------------|---|------|
| STARTER & ALTERNATOR | | | |
| | 99-9207 | ORDER 110-2598 | 1 |
| | 110-2598 | STARTER (RM 2000D) | 1 |
| | 98-9705 | STARTER (RM 3100D) | 1 |
| | 99-9209 | ALTERNATOR (RM 2000D) | 1 |
| | 131-6557 | ALTERNATOR (RM 3100D) | 1 |
| | 115-2292 | TIMER - GLOW PLUG (RM 2000) | 1 |
| HYDRAULIC MOTOR | | | |
| | 104-4890 | PISTON PUMP ASM - HYDROSTAT (RM 3100D) | 1 |
| | 112-9916 | HYDRAULIC CYLINDER ASM (RM 3100D) | 1 |
| | 110-8785 | MOTOR - HYDRAULIC CCW (RM 3100D) | 1 |
| | 115-8250 | GEAR MOTOR ASM (RM 3100D) | 1 |
| | 121-7856 | STEERING ARM ASM (RM 3100D) | 1 |
| | 29-6162 | SWITCH-MICRO (RM 216/3100D) | 1 |
| | 95-8802 | PULLEY-IDLER, HYDROSTAT ASM | 1 |
| | 104-4840 | TANK-HYD, HYDRAULIC TANK ASM | 1 |
| | 105-1214 | HOSE-HYD, HYDROSTAT ASM (RM 3100D) | 1 |
| | 3274-99 | SCREW-HSH, HYRAULIC MOTOR INSTALLATION ASM | 8 |
| | 69-4320 | FITTING-HYD, 90 DEG (RM 3100D) | 1 |
| | 95-8835 | HOSE ASM (RM 3100D) | 1 |
| | 95-8836 | HOSE ASM, MOTOR ASM (RM 3100D) | 1 |
| | 340-139 | FITTING - ELBOW 90 (RM 2000) | 2 |
| | 75-0560 | STEERING WHEEL ASM (RM 3100D) | 1 |
| | 95-8826 | HOSE ASM - REEL MOTOR (RM 3100D 1999-2009) | 1 |
| | 95-8827 | HOSE ASM - REEL MOTOR (RM 3100D) | 1 |
| | 340-139 | FITTING - ELBOW 90 (RM 3100D) | 1 |
| | 95-8601 | GEAR PUMP ASM (RM 3100D) | 1 |
| | 95-8843 | HOSE - HYD, STEERING COLUMN (RM 3100D) | 1 |
| | 99-3439 | HOSE - ASM (RM 3100D) | 1 |
| | 80-7342 | HOSE - HYD (RM 3100D) | 1 |
| SEAT | | | |
| | 104-4620 | SEAT-STD (RM 2000D/3100D) | 1 |
| | 92-8991 | ADJUSTER, SEAT ASM (RM 2000D/3100D) | 1 |
| | 131-6691 | SEAT COVER, LARGE | 1 |
| | 137-1312 | MESH SEAT COVER, LARGE | 1 |
| OTHER | | | |
| | 105-1221 | HOSE ASM, REAR FORK & TIRE ASM | 1 |
| | 105-1222 | HOSE ASM, REAR FORK & TIRE ASM | 1 |
| | 107-7828 | REAR CASTING ASM | 1 |
| | 95-8783 | TUBE ASM, FRONT WHEEL & BRAKE ASSEMBLY (RM 3100D) | 1 |
| | 95-8784 | TUBE ASM, FRONT WHEEL & BRAKE ASSEMBLY (RM 3100D) | 1 |
| | 104-4817 | LEVER-BRAKE (RM 3100D) | 1 |
| | 104-0485-03 | SHIELD-WHEEL (RM 3100D) | 1 |
| | 100-4929 | SLOPE INDICATOR ASM (RM 3100D) | 1 |
| | 106-4154 | FLOORPLATE ASM (RM 3100D) | 1 |
| | 104-4852-03 | PEDAL-TRACTION, TRACTION PEDAL ASM (RM 3100D) | 1 |
| | 100-4815 | CABLE-CONTROL, TRACTION (RM 3100D) | 1 |
| | 99-3623-03 | ARM-IDLER | 1 |
| | 95-8982 | TUBE ASM, REAR LIFT ARM | 1 |
| | 95-8981 | TUBE ASM, REAR LIFT ARM | 1 |
| | 233-70 | KNOB-STAR, BATTERY ASM (RM 3100D) | 2 |
| | 95-8934 | RADIATOR (RM 3100D) | 1 |
| | 95-8689 | SINGLE SPOOL CONTROL VALVE ASM (RM 3100D) | 1 |
| | 95-8575 | PIN, CARRIER ASM (RM 3100D) | 1 |
| | 115-3475 | REAR LIFT ARM ASM (RM 3100D) | 1 |
| | 104-0422 | NEUTRAL ARM ASM (RM 2000D/3100D) | 1 |
| | 95-8990 | SHAFT-PIVOT REAR, REAR LIFT ARM ASM (RM 3100D) | 1 |
| | 99-3478 | TREAD-FOOT (RM 3100D), FRONT PLATFORM ASM | 1 |
| | 95-8724-03 | SCREEN-HOOD (RM 3100D), HOOD ASSEMBLY | 1 |
| | 104-0462 | HUB WHEEL, SPACER | 1 |
| | 95-8905-01 | FORK - REAR (RM 3100D) | 1 |
| | 117-5129 | REAR FOR AND TIRE ASM (RM 3100D) | 1 |

REELMASTER

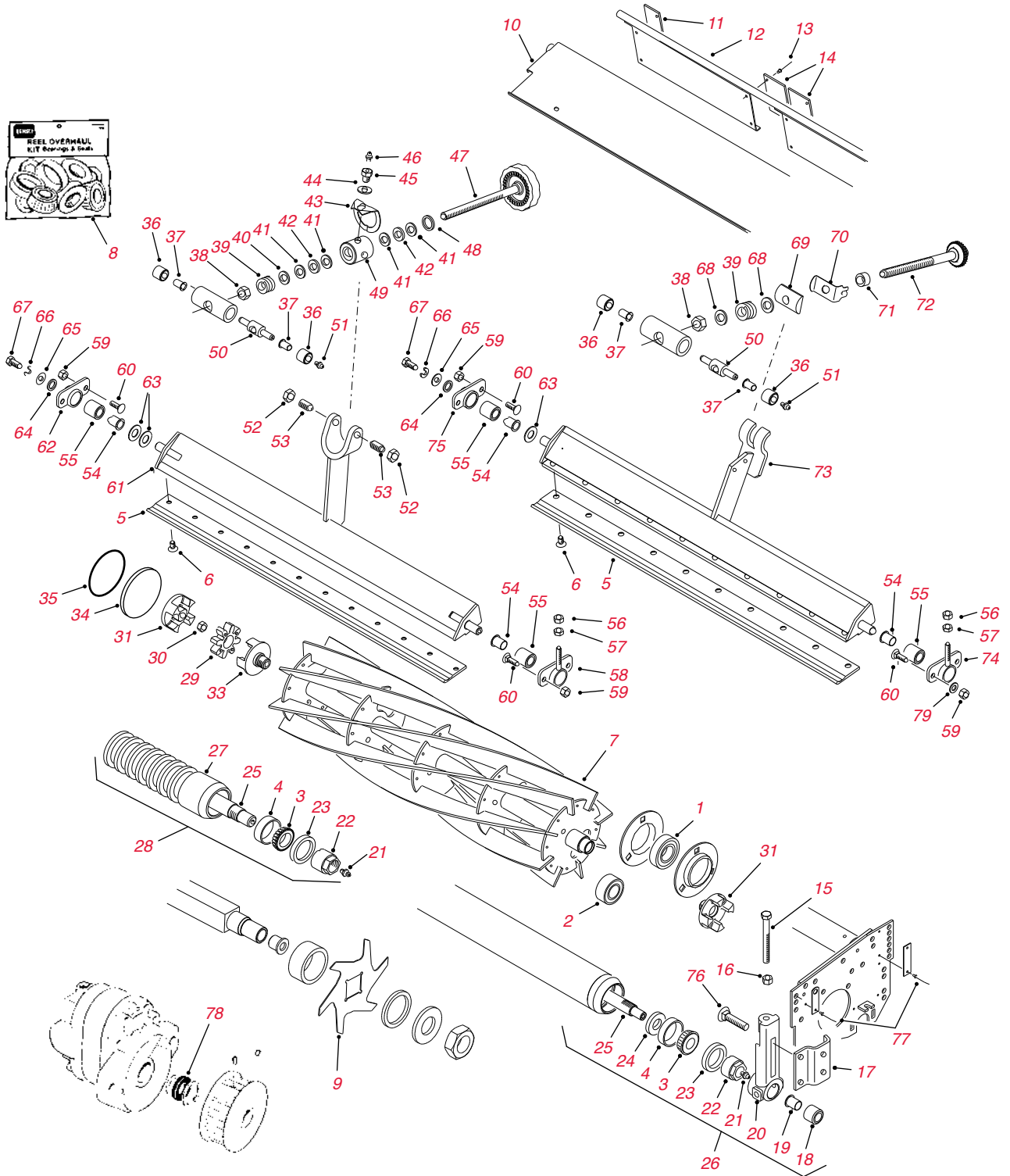
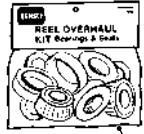
REELMASTER® 216 / 2000D / 2300D / 2600D / 3100D

Traction Unit Parts- continued

| | Part No. | Description | Qty. |
|------------------|-------------|-------------------------------------|------|
| <i>OTHER-</i> | | | |
| <i>continued</i> | | | |
| | 70-9870 | PLATE-BACKING | 1 |
| | 104-4809 | DRUM-BRAKE | 1 |
| | 3274-105 | SCREW-HSBH, FRONT WHEEL & BRAKE ASM | 1 |
| | 119-6968 | DIPSTICK - OIL | 1 |
| | 98-8796-03 | SUPPORT - BATTERY | 1 |
| | 105-8536-01 | STEERING ARM (RM 3100D) | 1 |
| | 110-8795 | CABLE - THROTTLE | 1 |
| | 108-9037 | MANIFOLD ASM | 1 |
| | 95-8933-03 | PLATE - MOUNT, PUMP | 1 |
| | 95-8854 | CABLE - BATTERY, NEGATIVE | 1 |
| | 95-8971 | GAUGE - FUEL | 1 |
| | 3234-42 | SCREW - HHF (RM 3100D) | 2 |
| | 353-781 | FITTING - ELBOW | 1 |
| | 95-8581 | 2-SPOOL CONTROL VALVE ASM | 1 |
| | 95-8904-03 | BRACKET - CLAMP | 1 |
| | 95-8884 | CLAMP | 4 |
| | 99-3373 | BAR - SUPPORT SLIDE | 2 |
| | 340-68 | FITTING - TEE BULKHEAD | 2 |
| | 104-5190-03 | PANEL - CONTROL | 1 |
| | 100-4930-03 | CARRIER - ASM (RM 3100D) | 1 |
| | 104-4834 | MUFFLER (RM 3100) | 1 |
| | 95-8568-03 | FRAME - LOWER (RM 3100D) | 1 |
| | 95-8620 | TANK - FUEL (RM 3100D) | 1 |
| | 100-4903-03 | FRAME - RADIATOR (RM 3100D) | 1 |
| | 100-4838-03 | MOUNT - ENGINE (RM 3100D) | 1 |
| | 99-3412-03 | PULLEY (RM 3100D) | 1 |
| | 112-9919 | STOP - CABLE, THROTTLE (RM 3100D) | 1 |
| | 112-8935 | FRAME - CENTER (RM 3100D 2010 & UP) | 1 |
| | 112-8978 | FRAME - CENTER (RM 3100D) | 1 |
| | 86-5390 | SEAL KIT (RM 3100D) | 1 |
| | 100-1854 | PLUG - GLOW (RM 3100D) | 3 |
| | 340-6 | FITTING - STRAIGHT | 2 |

REELMASTER

REELMASTER® 216 / 2000D / 2300D / 2600D / 3100D

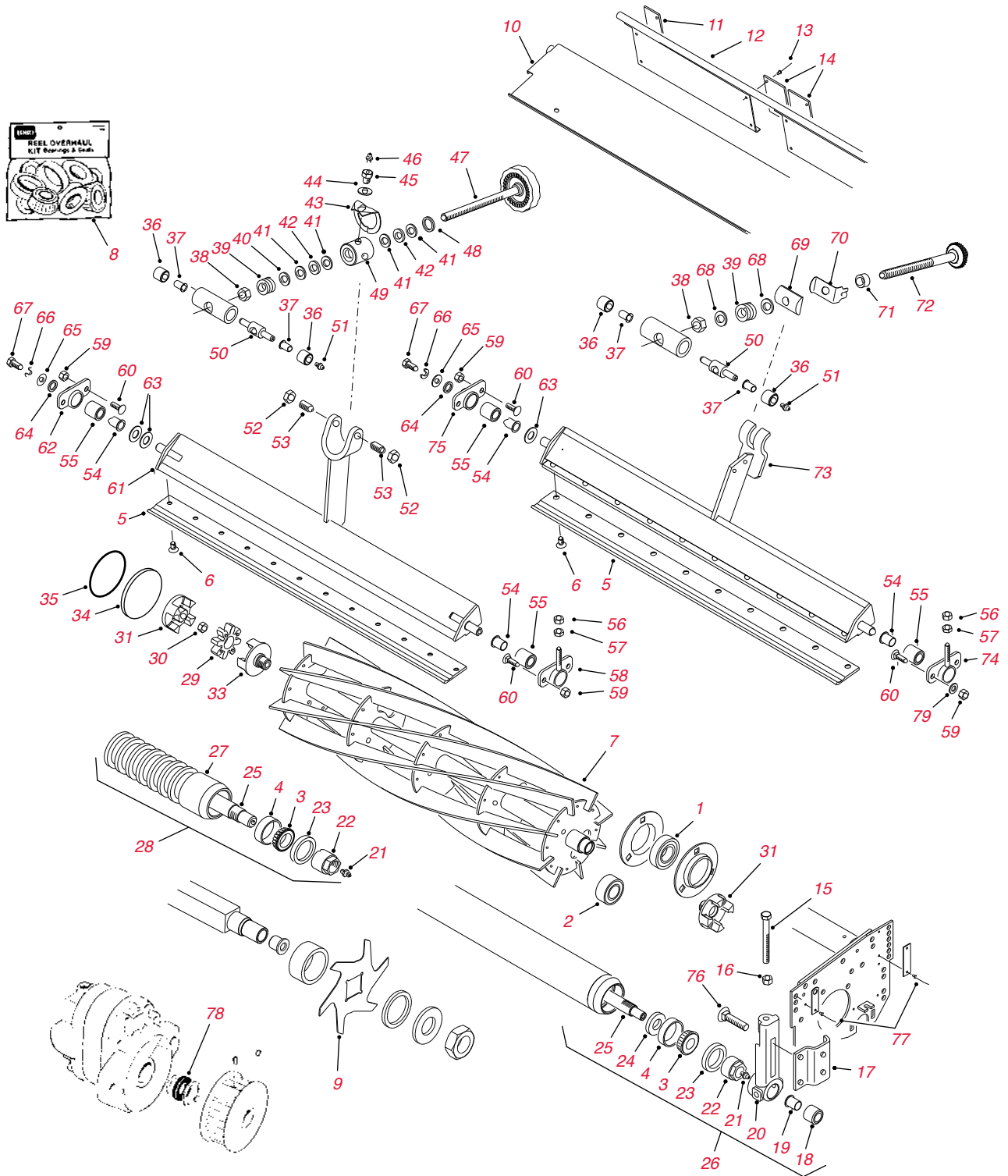


SPA (Single Point Adjust) Cutting Unit Parts

| Ref. No. | Part No. | Description | Qty. |
|----------|-------------------|--|------------|
| 1 | 251-320 | ORDER 71-1360 | 1 |
| 1 | 71-1360 | REEL BEARING (RM 216 1987-88) | 2 |
| 1 | 251-331 | REEL BEARING (RM 216 1989 & UP) | 2 |
| 2 | 88-7880 | BEARING - REEL (RM 2300D/2600D) | 2 |
| 2 | 100-4926 | BEARING - REEL (RM 2000D/3000D) | 2 |
| 3 | 254-78 | BEARING CONE | 2 |
| 4 | 254-79 | BEARING CUP | 2 |
| 5 | 105-6785 | BEDKNIFE - 27" LOW-CUT (11 BLADE) | 1 |
| 5 | 112-8910 | BEDKNIFE - 27" FAIRWAY-CUT EXT. EDGEMAX | |
| 5 | 104-1380 | BEDKNIFE - 27" FAIRWAY-CUT | 1 |
| 5 | 104-1381 | BEDKNIFE - 32" HIGH-CUT | 1 |
| 5 | 94-5079 | BEDKNIFE - 32" LOW-CUT | 1 |
| 5 | 112-8956 | ORDER 114-9389 | 1 |
| * | 114-9389 | BEDKNIFE - STANDARD | 1 |
| | 57-4910 | ORDER 119-4151 | 10 |
| 6 | 119-4151 | BEDKNIFE SCREW | 10 |
| | 99-3482 | ORDER 130-4119 | |
| 7 | 130-4119 | REEL ASSEMBLY 5 BLADE (7" DIA - RM 2000D/2300D/3100D) | 1 |
| | 99-3483 | ORDER 130-4123 | |
| 7 | 130-4123 | REEL ASSEMBLY 8 BLADE (7" DIA - RM 2000D/2300D/3100D) | 1 |
| | 99-3484 | ORDER 130-4132 | |
| 7 | 130-4132 | REEL ASSEMBLY 5 BLADE (7" DIA - RM 2000D/2600D/3100D) | 1 |
| | 99-3485 | ORDER 130-4136 | |
| 7 | 130-4136 | REEL ASSEMBLY 8 BLADE (7" DIA - RM 2000D/2600D/3100D) | 1 |
| | 105-6768 | ORDER 130-4127 | |
| 7 | 130-4127 | REEL ASSEMBLY 11 BLADE (7" DIA - RM 2000D/2300D/3100D) | 1 |
| 8 | 13-3649** | Cutting Unit Overhaul MVP Kit (RM 216) | A/R |
| 10 | 94-3621 | SHIELD - FRONT 27" | 1 |
| 10 | 94-5053 | SHIELD - FRONT 32" | 1 |
| 11 | 61-3280 | RUBBER COVER - SIDE | 2 |
| 12 | 94-4969 | SHIELD - REAR (2600/3100) | 1 |
| 12 | 93-8849 | SHIELD - GRASS (216/2300) | 1 |
| 13 | 700382 | RIVET - POP | 12 |
| 14 | 61-3290 | RUBBER COVER - CENTER | 2 |
| 15 | 323-57 | ORDER 61-0790 | 4 |
| 15 | 61-0790 | SCREW - ADJUSTMENT | 4 |
| 16 | 3296-39 | NUT - LOCK | 2 |
| 17 | 61-0910 | BRACKET - HOC | 2 |
| 18 | 56-9510 | BUSHING | 6 |
| 19 | 56-9520 | FLANGED BUSHING | 6 |
| 20 | 61-0430-01 | BRACKET - HOC REAR | 4 |
| 20 | 61-0440-01 | ORDER 14-4489 | 4 |
| 20 | 14-4479 | BRACKET - HOC REAR (RM 3100) (INCL #18) | 2 |
| 20 | 14-4489 | BRACKET - HOC FRONT (RM 3100) (INCL #18) | 2 |
| 21 | 302-5 | GREASE FITTING | 3 |
| 22 | 71-3590 | ADJUSTMENT NUT | 2 |
| 23 | 105-0150 | SEAL - OUTER | 2 |
| 24 | 253-152 | SEAL - INNER | 2 |
| 25 | 61-0400 | ORDER 105-0156 | 1 |
| 25 | 94-4983 | ORDER 105-0158 | 1 |
| 25 | 105-0156 | SHAFT - ROLLER 27" | 1 |
| 25 | 105-0158 | SHAFT - ROLLER 32" | 1 |
| 26 | 62-7100 | ORDER 61-0410 | 1 |
| 26 | 61-0410 | ROLLER ASSEMBLY 27" | 1 |
| 26 | 94-4982 | ROLLER ASSEMBLY - SOLID 32" | 1 |
| * | 106-9607** | Roller Rebuild MVP Kit | A/R |

REELMASTER

REELMASTER® 216 / 2000D / 2300D / 2600D / 3100D

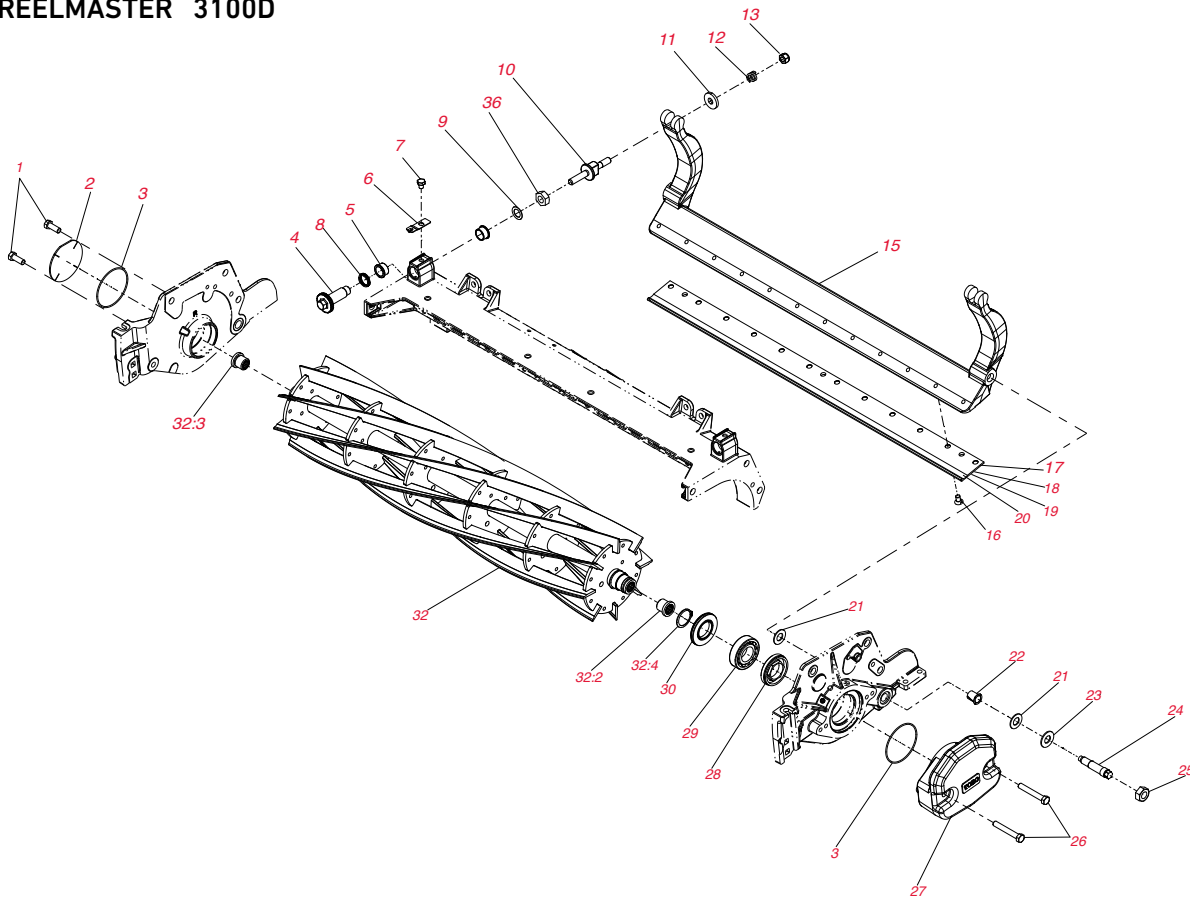


SPA (Single Point Adjust) Cutting Unit Parts - continued

| Ref. No. | Part No. | Description | Qty. |
|----------|-------------|-------------------------------------|------|
| 27 | 104-1386-03 | WIEHLE ROLLER TUBE 27" | 1 |
| 27 | 104-1389-03 | WIEHLE ROLLER TUBE 32" | 1 |
| 28 | 62-7410 | ORDER 92-1846 | 1 |
| 28 | 92-1846 | WIEHLE ROLLER ASSEMBLY 27" | 1 |
| 28 | 104-1385 | WIEHLE ROLLER ASSEMBLY 27" | 1 |
| 28 | 94-4993 | WIEHLE ROLLER ASSEMBLY 32" | 1 |
| 28 | 104-1388 | WIEHLE ROLLER ASSEMBLY 32" | 1 |
| 29 | 93-8827 | SPIDER (2300/2600/3100) | 1 |
| 30 | 32128-48 | NUT - HEX LOCK | 1 |
| 31 | 93-8823 | COUPLER - REEL MOTOR | 1 |
| 32 | 93-8825 | COUPLER - REEL RH THREAD | 1 |
| 33 | 93-8826 | COUPLER - REEL LH THREAD | 1 |
| 34 | 94-2703 | PLUG | 1 |
| 35 | 353-949 | SEAL - O-RING (REEL MOTOR MOUNTING) | 1 |
| 36 | 62-5510 | RUBBER BUSHING | 2 |
| 37 | 52-2890 | FLANGED BUSHING - NYLON | 2 |
| 38 | 3296-62 | LOCKNUT | 1 |
| 39 | 57-5270 | SPRING | 1 |
| 40 | 29-8870 | WASHER-FLAT | 1 |
| 41 | 257-5 | WASHER | 2 |
| 42 | 257-6 | BEARING | 1 |
| 43 | 52-3000 | ARM-SPRING | 1 |
| 44 | 3256-25 | WASHER - FLAT | 1 |
| 45 | 52-2990 | SCREW - SPRING RETAINER | 1 |
| 46 | 302-5 | GREASE FITTING | 3 |
| 48 | 253-84 | SEAL - ADJUST HANDLE | 1 |
| 49 | 52-2980 | PIVOT S.P.A. | 1 |
| 50 | 57-5260 | ORDER 107-7490 | 1 |
| 50 | 107-7409 | PIN - BEDBAR PIVOT | 1 |
| 51 | 302-18 | FITTING - GREASE | 1 |
| 52 | 3218-18 | NUT - JAM | 2 |
| 53 | 57-5190 | SCREW - ADJUSTMENT | 2 |
| 54 | 56-9520 | FLANGED BUSHING | 6 |
| 55 | 56-9510 | BUSHING | 6 |
| 56 | 3296-4 | NUT - LOCK | 1 |
| 57 | 3219-2 | NUT - LOCK | 1 |
| 58 | 93-6855 | HOUSING - BEDBAR ADJUST | 1 |
| 59 | 3296-29 | NUT - LOCK | 4 |
| 60 | 3230-1 | SCREW - CARRIAGE | 4 |
| 61 | 61-1210-01 | BEDBAR (27") | 1 |
| 62 | 61-1010 | HOUSING - BEDBAR | 1 |
| 63 | 61-1950 | WASHER - BEDBAR | 2 |
| 64 | 62-7120 | SPACER | 1 |
| 65 | 3256-56 | WASHER - FLAT | 1 |
| 66 | 3253-4 | WASHER - LOCK | 1 |
| 67 | 322-3 | SCREW - CAP HEX HD | 1 |
| 68 | 29-8910 | WASHER | 2 |
| 69 | 93-2892 | PIVOT - BEDBAR | 1 |
| 70 | 95-8752 | ARM - SPRING | 1 |
| 71 | 93-2959 | SPACER - ADJUSTER | 1 |
| 72 | 95-8877 | ORDER 106-7536 | 1 |
| 72 | 106-7536 | ADJUSTER - BEDBAR | 1 |
| 76 | 3231-2 | BOLT - CARRIAGE | 4 |
| 77 | 3290-55 | RIVET - POP | 8 |
| 77 | 66-5710 | ORDER 117-8976 | |
| 78 | 117-8976 | SEAL - REEL MOTOR SHAFT | 1 |
| 79 | 3256-74 | WASHER - FLAT | 4 |
| * | 104-6478 | SPRING - EXTENSION (RM 2000) | 2 |
| * | 32144-1 | SCREW - TAPTITE (RM 2000) | 3 |
| * | 3220-5 | NUT - JAM (RM 2000) | 1 |
| * | 353-781 | FITTING - ELBOW (RM 2000) | 1 |

REELMASTER

REELMASTER® 3100D



DPA (Dual Point Adjust) Cutting Units Parts

| Ref. No. | Part No. | Description | Qty. |
|----------|-------------|---|------|
| 1 | 323-6 | SCREW-HH | 2 |
| 2 | 94-2703 | PLUG | 1 |
| 3 | 112-6967 | O-RING | 2 |
| 4 | 120-5118 | SHAFT-ADJUSTER | 2 |
| 5 | 106-5344 | BUSHING-FLANGED, KEYED | 4 |
| 6 | 99-2097 | DETENT | 2 |
| 7 | 114-9396 | CAPSCREW-HH | 2 |
| 8 | 120-5116 | WASHER-WAVE | 2 |
| 9 | 108-0015 | WASHER-FLAT | 2 |
| 10 | 115-7039 | SCREW-ADJUSTER, BEDBAR | 2 |
| 11 | 119-4155 | WASHER-HARDENED | 2 |
| 12 | 120-5120 | SPRING-COMPRESSION | 2 |
| 13 | 119-4039 | NUT-HEX, NI | 2 |
| 15 | 112-8908-01 | BEDBAR | 1 |
| * | 112-8954-01 | BEDBAR | 1 |
| 16 | 119-4151 | SCREW-BEDKNIFE | 10 |
| 17 | 114-9388 | BEDKNIFE - 27" FAIRWAY STD | 1 |
| 18 | 112-8910 | BEDKNIFE - 27" FAIRWAY-CUT EXT. EDGEMAX | 1 |
| 19 | 114-9390 | BEDKNIFE - 27" FAIRWAY HD | 1 |
| 20 | 120-1641 | BEDKNIFE - 27" LOW HOC EXT | 1 |
| 20 | 105-6785 | BEDKNIFE - 27" LOW-CUT (11 BLADE) | 1 |
| 20 | 104-1380 | BEDKNIFE - 27" FAIRWAY HIGH-CUT | 1 |
| 20 | 104-1381 | BEDKNIFE - 32" FAIRWAY HIGH-CUT | 1 |
| 20 | 94-5079 | BEDKNIFE - 32" FAIRWAY LOW-CUT | 1 |
| 20 | 112-8956 | ORDER 114-9389 | 1 |
| * | 114-9389 | BEDKNIFE - 32" FAIRWAY STD | 1 |
| * | 120-1642 | BEDKNIFE - 32" LOW CUT EXTENDED | 1 |
| * | 114-9391 | BEDKNIFE - 32" FAIRWAY HD | 1 |
| 21 | 61-1950 | WASHER-PLASTIC | 4 |
| 22 | 56-9520 | FLANGED BUSHING | 2 |

DPA (Dual Point Adjust) Cutting Units Parts - continued

| Ref. No. | Part No. | Description | Qty. |
|----------|-------------------|---|------------|
| 23 | 69-8980 | WASHER | 2 |
| 24 | 106-9623 | BOLT-BEDBAR | 2 |
| 25 | 3296-33 | NUT-LOCK, NI | 2 |
| 26 | 323-12 | SCREW-HH | 2 |
| 27 | 119-0614-01 | WEIGHT-END | 1 |
| 28 | 107-2954 | BEARING , NUT-ADJUSTER | 1 |
| 29 | 93-2489 | BEARING | 2 |
| 30 | 107-4028 | SEAL-GREASE | 2 |
| 32 | 115-8270 | ORDER 127-2093 | 1 |
| 32 | 127-2093 | REEL - 5 BLADE (7" DIA - CUTTING UNIT 03180) | 1 |
| 32 | 115-8275 | ORDER 127-2094 | 1 |
| 32 | 127-2094 | REEL - 8 BLADE (7" DIA - CUTTING UNITS 03710/03181) | 1 |
| | 133-8269 | EDGESERIES REEL - 8 BLADE (7" DIA - CUTTING UNITS 03710/03181) | |
| 32 | 115-8282 | ORDER 127-2104 | 1 |
| 32 | 127-2104 | REEL - 5 BLADE (7" DIA - CUTTING UNITS 03182/03712) | 1 |
| 32 | 115-8286 | ORDER 127-2105 | 1 |
| 32 | 127-2105 | REEL - 8 BLADE (7" DIA - CUTTING UNITS 03182/03712) | 1 |
| | 133-8271 | EDGESERIES REEL - 11 BLADE (7" DIA - CUTTING UNITS 03183/03711) | |
| | 133-8273 | 8 BLADE (7" DIA - CUTTING UNITS 03182/03712) | |
| 32 | 115-8278 | ORDER 127-2095 | 1 |
| 32 | 127-2095 | REEL - 11 BLADE (7" DIA - CUTTING UNITS 03183/03711) | 1 |
| * | 137-8482 | EDGESERIES REELS+ - 5 BLADE, 21" LOW DRAG, RR (SERVICE ONLY) | 1 |
| 32:2 | 107-3276 | INSERT-THREADED, LH | 1 |
| 32:3 | 107-3275 | INSERT-THREADED, RH | 1 |
| 32:4 | 92-2601 | RING-RETAINING | 2 |
| * | 120-7230 | HD DPA MVP Kit | A/R |
| * | 110-9600 | DPA High HOC KIT | A/R |
| * | 106-9607** | Roller Rebuild MVP Kit | A/R |
| * | 110-4086 | GROOMER/RRB BEARING & SEAL KIT | 2 |
| * | 93-3038-03 | BLADE - DETHATCHER (STD) | 16 |
| * | 106-8625 | BLADE - DETHATCHER (CARBIDE TIPPED) | 16 |
| * | 94-3621 | SHIELD - FRONT 27" | 1 |
| * | 94-5053 | SHIELD - FRONT 32" | 1 |
| * | 61-3280 | RUBBER COVER - SIDE | 2 |
| * | 112-8944-01 | SHIELD - REAR | 1 |
| * | 61-3290 | RUBBER COVER - CENTER | 2 |
| * | 323-57 | ORDER 61-0790 | 4 |
| * | 61-0790 | SCREW - ADJUSTMENT | 4 |
| * | 3296-39 | NUT - LOCK | 2 |
| * | 61-0910 | BRACKET - HOC | 2 |
| * | 56-9510 | BUSHING | 6 |
| * | 61-0430-01 | BRACKET - HOC REAR | 4 |
| * | 61-0440-01 | ORDER 14-4489 | 4 |
| * | 14-4479 | BRACKET - HOC REAR (INCL #18) | 2 |
| * | 14-4489 | BRACKET - HOC FRONT (INCL #18) | 2 |
| * | 302-5 | GREASE FITTING | 3 |
| * | 71-3590 | ADJUSTMENT NUT | 2 |
| * | 105-0150 | SEAL - OUTER | 2 |
| * | 253-152 | SEAL - INNER | 2 |
| * | 61-0400 | ORDER 105-0156 | 1 |
| * | 94-4983 | ORDER 105-0158 | 1 |
| * | 105-0156 | SHAFT - ROLLER 27" | 1 |
| * | 105-0158 | SHAFT - ROLLER 32" | 1 |
| * | 62-7100 | ORDER 61-0410 | 1 |
| * | 61-0410 | ROLLER ASSEMBLY 27" | 1 |
| * | 94-4982 | ROLLER ASSEMBLY - SOLID 32" | 1 |
| * | 104-1386-03 | WIEHLE ROLLER TUBE 27" | 1 |

REELMASTER

REELMASTER® 3100D

DPA (Dual Point Adjust) Cutting Units Parts - continued

| Ref. No. | Part No. | Description | Qty. |
|----------|-------------|--------------------------------------|------|
| * | 104-1389-03 | WIEHLE ROLLER TUBE 32" | 1 |
| * | 62-7410 | ORDER 92-1846 | 1 |
| * | 92-1846 | WIEHLE ROLLER ASSEMBLY 27" | 1 |
| * | 104-1385 | WIEHLE ROLLER ASSEMBLY 27" | 1 |
| * | 94-4993 | WIEHLE ROLLER ASSEMBLY 32" | 1 |
| * | 104-1388 | WIEHLE ROLLER ASSEMBLY 32" | 1 |
| * | 93-8827 | SPIDER | 1 |
| * | 32128-48 | NUT - HEX LOCK | 1 |
| * | 93-8823 | COUPLER - REEL MOTOR | 1 |
| * | 93-8825 | COUPLER - REEL RH THREAD | 1 |
| * | 93-8826 | COUPLER - REEL LH THREAD | 1 |
| * | 353-949 | SEAL - O-RING (REEL MOTOR MOUNTING) | 1 |
| * | 62-5510 | RUBBER BUSHING | 2 |
| * | 52-2890 | FLANGED BUSHING - NYLON | 2 |
| * | 3296-62 | LOCKNUT | 1 |
| * | 57-5270 | SPRING | 1 |
| * | 29-8870 | WASHER-FLAT | 1 |
| * | 257-5 | WASHER | 2 |
| * | 257-6 | BEARING | 1 |
| * | 52-3000 | ARM-SPRING | 1 |
| * | 3256-25 | WASHER - FLAT | 1 |
| * | 52-2990 | SCREW - SPRING RETAINER | 1 |
| * | 253-84 | SEAL - ADJUST HANDLE | 1 |
| * | 57-5260 | ORDER 107-7490 | 1 |
| * | 107-7409 | PIN - BEDBAR PIVOT | 1 |
| * | 302-18 | FITTING - GREASE | 1 |
| * | 3218-18 | NUT - JAM | 2 |
| * | 57-5190 | SCREW - ADJUSTMENT | 2 |
| * | 3296-4 | NUT - LOCK | 1 |
| * | 3219-2 | NUT - LOCK | 1 |
| * | 93-6855 | HOUSING - BEDBAR ADJUST | 1 |
| * | 3296-29 | NUT - LOCK | 4 |
| * | 3230-1 | SCREW - CARRIAGE | 4 |
| * | 61-1010 | HOUSING - BEDBAR | 1 |
| * | 3256-56 | WASHER - FLAT | 1 |
| * | 3253-4 | WASHER - LOCK | 1 |
| * | 322-3 | SCREW - CAP HEX HD | 1 |
| * | 29-8910 | WASHER | 2 |
| * | 93-2892 | PIVOT - BEDBAR | 1 |
| * | 95-8752 | ARM - SPRING | 1 |
| * | 93-2959 | SPACER - ADJUSTER | 1 |
| * | 115-3466 | RH SHORT LIFT ARM ASM | 1 |
| * | 95-8877 | ORDER 106-7536 | 1 |
| * | 106-7536 | ADJUSTER - BEDBAR | 1 |
| * | 95-8739-01 | BEDBAR (27") | 1 |
| * | 95-8748-01 | BEDBAR (32") | 1 |
| * | 16-9769 | HOUSING - BEDBAR ADJUST (INCL #55) | 1 |
| * | 14-4459 | HOUSING - BEDBAR (INCL #55) | 1 |
| * | 3231-2 | BOLT - CARRIAGE | 4 |
| * | 3290-55 | RIVET - POP | 8 |
| * | 66-5710 | ORDER 115-8039 | 1 |
| * | 3256-74 | WASHER - FLAT | 4 |
| * | 29-9100 | BRUSH AND HANDLE ASM | 1 |
| * | 115-0833 | BELT - BRUSH, 7" (UNIVERSAL GROOMER) | 1 |
| * | 114-9384 | FULL FRONT ROLLER ASM | 1 |
| * | 117-0990 | PLASTIC WIEHLE ROLLER ASM | 1 |
| * | 130-4105 | BLADE - GROOMER (UNIVERSAL GROOMER) | 1 |

DPA (Dual Point Adjust) Cutting Units Parts - continued

| Ref. No. | Part No. | Description | Qty. |
|----------|----------|---|------|
| * | 115-0813 | BRUSH - ROLLER | 1 |
| * | 3296-45 | NUT - LOCK, NI | 2 |
| * | 321-10 | SCREW - HH | 1 |
| * | 92-5821 | HEAD - FILTER | 1 |
| * | 115-0828 | BELT - BRUSH, 7" | 2 |
| * | 74-1810 | WASHER | 2 |
| * | 114-2726 | LEVER - BRAKE | 2 |
| * | 95-8980 | TUBE ASM | 1 |
| * | 32144-1 | SCREW - TAPTITE (2010 & UP) | 2 |
| * | 112-8961 | REAR ROLLER ASM | 1 |
| * | 95-8840 | HOSE ASM | 1 |
| * | 115-0838 | BRUSH - ROLLER | 1 |
| * | 115-4263 | PLATE - SIDE, RH | 1 |
| * | 32144-4 | SCREW - HWH | 4 |
| * | 353-781 | FITTING - ELBOW | 1 |
| * | 115-0839 | SPRING - IDLER | 1 |
| * | 119-0640 | PLASTIC SHOULDER ROLLER ASM (2010 & UP) | 1 |
| * | 117-3759 | FULL FRONT ROLLER ASM (2010 & UP) | 1 |
| * | 117-3756 | FULL REAR ROLLER ASM (2010 & UP) | 1 |
| * | 119-0625 | SHAFT ASM (2010 & UP) | 1 |
| * | 117-3764 | PLATE - SIDE, LH (2010-2016) | 1 |
| * | 117-3763 | PLATE - SIDE, RH (2010-2016) | 1 |
| * | 115-0811 | 27" ROLLER BRUSH ASM | 1 |
| * | 119-0631 | ROLLER - SHOULDER, PLASTIC | 1 |
| * | 108-6715 | GAUGE BAR ASM | 1 |

REELMASTER

REELMASTER® 335D / 3500D / 450D / 4000D / 4500D

Traction Unit Parts

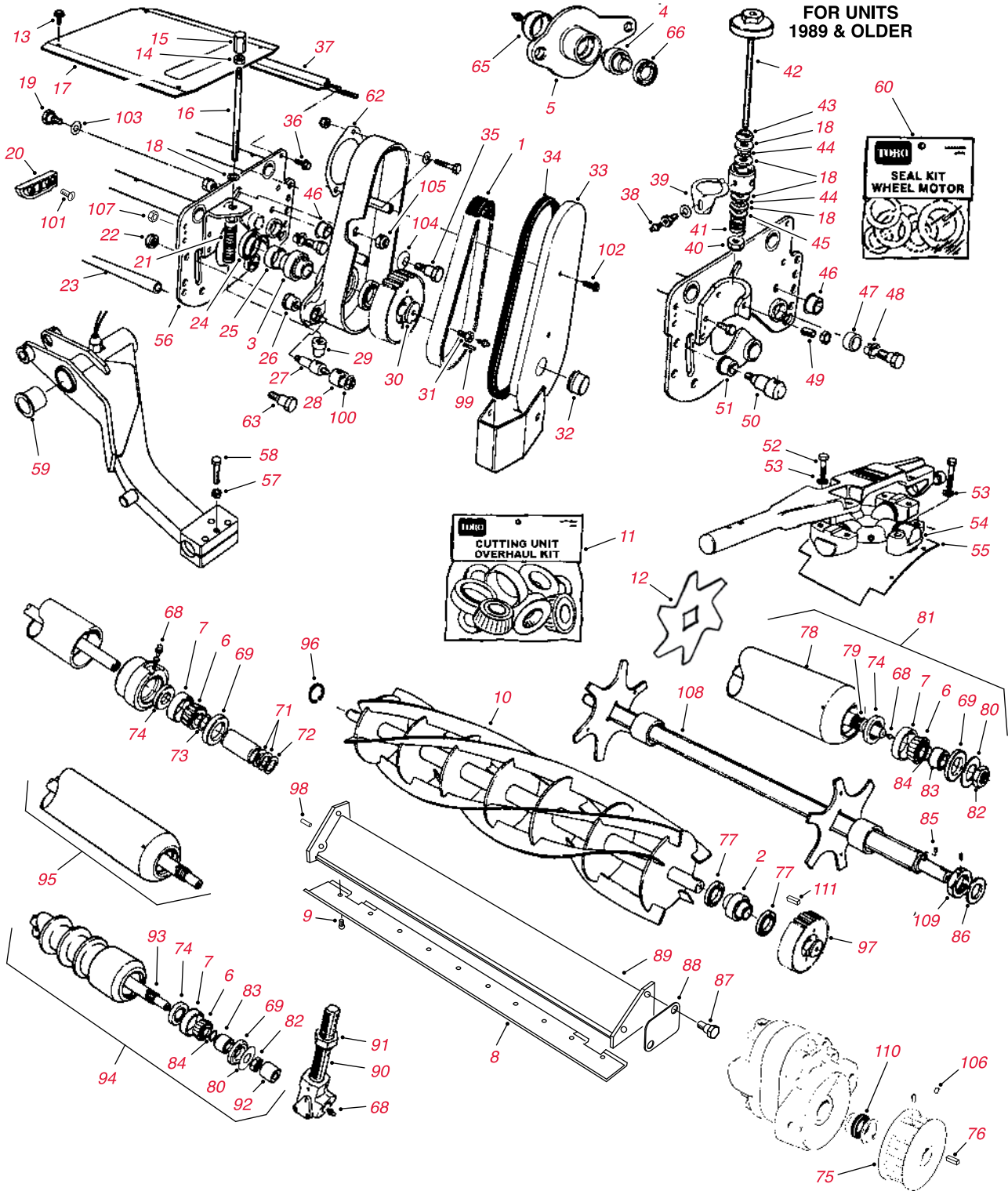
| Part No. | Description | Qty. |
|----------------|---|------------|
| FILTERS | | |
| 30012** | 400 Hour Filter MVP Kit (RM 4000D - 2002-07) | A/R |
| 30061** | 400 Hour Filter MVP Kit (RM 4000D - 2008 & Up) | A/R |
| 74-7970 | ORDER 108-3837 | 1 |
| 108-3837 | FILTER ENGINE OIL (RM335D/3500D) | 1 |
| 49-2500 | ORDER 108-3835 | 1 |
| 108-3835 | FILTER - ENGINE OIL (RM 450D/4500D) | 1 |
| 98-7431 | ORDER 104-5169 | 1 |
| 104-5169 | FILTER - ENGINE OIL (RM 4000D) | 1 |
| 27-7110 | ORDER 108-3833 | 1 |
| 108-3833 | AIR FILTER ELEMENT | 1 |
| 93-9162 | ORDER 108-3812 | 1 |
| 108-3812 | ELEMENT - AIR FILTER OUTER (RM 4000D) | 1 |
| 93-9163 | ORDER 108-3813 | 1 |
| 108-3813 | ELEMENT AIR FILTER INNER (RM 4000D) | 1 |
| 98-7612 | FILTER - FUEL, PLASTIC (RM 4000D 1998-2001 & 2004 & UP) | 1 |
| 108-3828 | FILTER - FUEL, METAL (RM 4000D 1998-2001 & 2004 & UP) | 1 |
| 76-5220 | ELEMENT - FUEL FILTER (335D/3500D/4000D 1998-2001) | 1 |
| 60-5470 | FILTER - FUEL (RM 450D, 4500D) | 1 |
| 98-9764 | FILTER - WATER SEPARATOR (RM 4000D) | 1 |
| 112-9140 | BIO-DIESEL FUEL FILTER KIT (RM 4000D) | 1 |
| 112-8400 | BIO-DIESEL FUEL PUMP KIT (RM 4000D) | 1 |
| 112-7836 | IN-LINE FUEL FILTER (BIO-DIESEL KIT RM 4000D) | 1 |
| 110-9015 | ELEMENT - SEPARATOR (BIO-DIESEL RM 4000D) | 1 |
| 99-8358 | FILTER - FUEL (RM 4000D 2002-03) | 1 |
| 58-6610 | ORDER 69-1720 | 1 |
| 69-1720 | ELEMENT - HYD (RM 4500D) | 1 |
| 86-6110 | ELEMENT - HYD (RM 450D, 4500D, 4000D) | 1 |
| 76-6490 | ORDER 86-3010 | 1 |
| 86-3010 | FILTER TRANSMISSION (RM335D/3500D) | 1 |
| 98-7419 | ELEMENT - BREATHER (RM 4000D) | 1 |
| BELTS | | |
| 62-6390 | BELT - FAN BELT (RM 450D) | 1 |
| 98-7705 | V-BELT - ALTERNATOR DRIVE (RM 4000D) | 1 |
| 74-8830 | BELT - TIMING (RM 335D/3500D) | 1 |
| TIRES | | |
| 69-9880 | TIRE - FRONT (23 X 10.5 - 12) 6-PLY (335D) | 2 |
| 74-5560 | TIRE - REAR (20 X 8 - 10) 6-PLY (335D) | 2 |
| 86-5900 | TIRE - FRONT (26 X 12 - 12) 8-PLY (3500D) | 2 |
| 86-5910 | TIRE - REAR (20 X 10 - 10) 6-PLY (3500D) | 2 |
| 63-4480 | TIRE - FRONT (31 X 13.5 - 15) 4-PLY (450D/4000D/4500D) | 2 |
| 69-9880 | TIRE - REAR (23 X 10.5 - 12) 6-PLY (450D/4000D/4500D) | 2 |
| SEAT | | |
| 131-6691 | SEAT COVER, LARGE | 1 |
| 137-1312 | MESH SEAT COVER, LARGE | 1 |

Traction Unit Parts - continued

| | Part No. | Description | Qty. |
|---------------------------------|---|-------------------------------------|------|
| BEARINGS | See Quick Reference Guide for detailed information on bearing replacements for this model. Page 30-38 | | |
| | 254-106 | BEARING CONE (REAR AXLE) | 2 |
| | 254-92 | BEARING CONE (2WD REAR OUTER) | 2 |
| | 254-107 | BEARING CUP (REAR AXLE) | 2 |
| | 251-259 | BEARING - BALL (NEUTRAL ARM) | 2 |
| STARTER & ALTERNATOR | | | |
| | 112-1352 | STARTER (RM 335D/3500D) | 1 |
| | 51-7590 | ORDER 112-1353 | 1 |
| | 112-1353 | STARTER (RM 450D/4500D) | 1 |
| | 100-9237 | STARTER (RM 4000D) | 1 |
| | 51-8250 | ORDER 112-1358 | 1 |
| | 112-1358 | ALTERNATOR (450D/4500D) | 1 |
| | 98-7693 | ALTERNATOR (4000D) | 1 |
| | 117-5541 | ALTERNATOR - 60 AMP (4000D) | 1 |
| OTHER | | | |
| | 112-8400 | BIO-DIESEL FUEL PUMP KIT (RM 4000D) | 1 |
| | 29-6162 | SWITCH-MICRO (RM 450) | 1 |
| | 233-70 | KNOB-STAR, BATTERY ASM (RM 3550) | 2 |
| | 104-0422 | NEUTRAL ARM ASM (RM 3550) | 1 |
| | 32136-2 | NUT - SHH (RM 4000) | 2 |
| | 32144-1 | SCREW - TAPTITE (RM 4000) | 4 |
| | 325-12 | SCREW - HH (RM 4000) | 6 |
| | 340-139 | FITTING - ELBOW 90 (RM 4000) | 10 |
| | 66-8800 | RELAY (RM 4000) | 2 |

REELMASTER

REELMASTER® 335D / 3500D / 450D / 4000D / 4500D

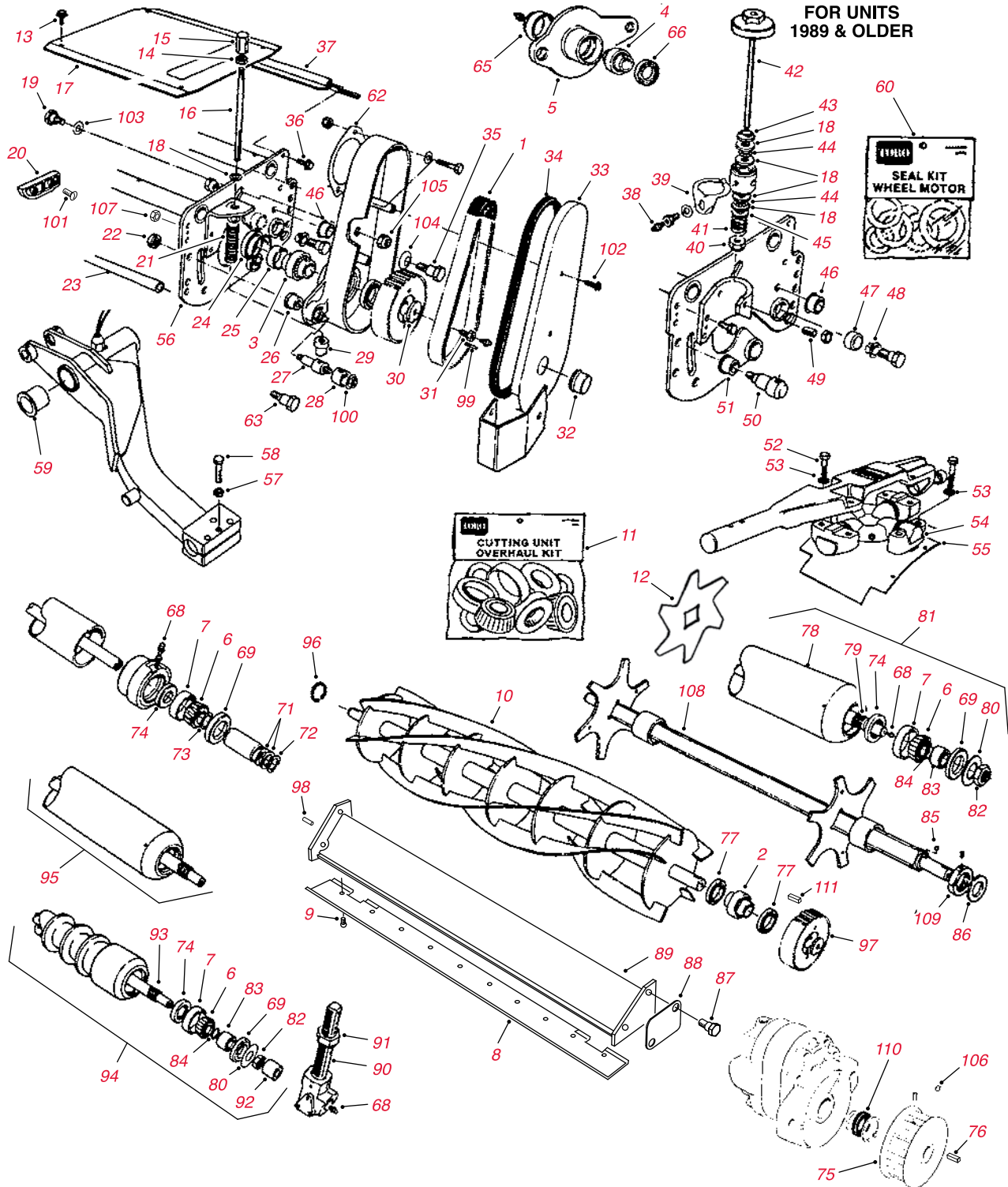


Cutting Unit Parts

| Ref. No. | Part No. | Description | Qty. |
|----------|------------------|---|------------|
| 1 | 47-7160 | BELT - REEL & DETHATCHER DRIVE | 1 |
| 2 | 251-298 | ORDER 59-6140 | 2 |
| 2 | 59-6140 | BEARING - REEL | 2 |
| 3 | 59-6140 | BEARING | 1 |
| 4 | 59-6140 | BEARING | 1 |
| 5 | 13-7749 | HOUSING & BEARING ASSEMBLY | 1 |
| 6 | 254-78 | BEARING CONE | 2 |
| 7 | 254-79 | CUP BEARING | 2 |
| 8 | 59-5890 | BEDKNIFE (7 BLADE) | 1 |
| 8 | 76-3620 | BEDKNIFE (11 BLADE) | 1 |
| | 3-6462 | ORDER 119-4151 | 11 |
| | 57-4910 | ORDER 119-4151 | 11 |
| 9 | 119-4151 | SCREW | 11 |
| | 13-8219 | ORDER 130-4139 | |
| 10 | 130-4139 | REEL ASSEMBLY - 7 BLADE (8" DIA - RM 335D/3500D/450D/4000D/4500) | 1 |
| | 14-0919 | ORDER 130-4141 | |
| 10 | 130-4141 | REEL ASSEMBLY - 11 BLADE (8" DIA - RM 335D/3500D/450D/4000D/4500) | 1 |
| | 13-8229 | ORDER 14-7419 | 1 |
| 10 | 133-0140 | REEL ASSEMBLY - 5 BLADE (8" DIA - RM 335D/3500D/450D/4000D/4500) | 1 |
| 11 | 13-3679** | Cutting Unit Overhaul MVP Kit (RM 335D/450D) | A/R |
| 11 | 95-4389** | Cutting Unit Overhaul MVP Kit (RM 3500D/4000D/4500D) | A/R |
| 12 | 82-3070-03 | BLADE - DETHATCHER | 20 |
| 13 | 3234-34 | SCREW - HEX FLANGE HD | 8 |
| 14 | 3218-5 | NUT | 2 |
| 15 | 72-0380 | KNOB | 2 |
| 16 | 72-0390 | ROD | 2 |
| 17 | 59-5830-01 | COVER - INBOARD | 1 |
| * | 59-5840-01 | ORDER 100-9993 | 1 |
| * | 100-9993 | COVER - OUTBOARD | 1 |
| 18 | 257-5 | WASHER | 8 |
| 19 | 62-6080 | BOLT - SHOULDER | 1 |
| 20 | 62-6070 | ORDER 77-4810 | 2 |
| 20 | 77-4810 | BLOCK - DEFLECTOR | 2 |
| 21 | 72-0400 | ORDER 92-9231 | 2 |
| 21 | 92-9231 | SPRING | 2 |
| 22 | 82-9390 | NUT - SPECIAL | 2 |
| 23 | 93-7769 | ROD | 1 |
| 24 | 92-9250 | SEAL - GREASE | 1 |
| 25 | 92-9251 | Sleeve - Wear | A/R |
| 26 | 72-0430 | BUSHING | 2 |
| 26 | 92-9252 | BUSHING - FLANGE | 2 |
| 27 | 72-0440 | PIN | 2 |
| 28 | 72-0420 | CLAMP - TUBE | 2 |
| 29 | 72-0410 | STAND OFF | 2 |
| 30 | 59-6150 | WASHER - PULLEY | 1 |
| 31 | 59-6190 | SCREW - REEL CAP | 1 |
| 32 | 59-7490 | PLUG - GREASE FITTING | 1 |
| 33 | 75-7590-01 | COVER - DRIVE (LH) | 1 |
| 33 | 75-7580-01 | COVER - DRIVE (RH) | 1 |
| 34 | 47-7170 | GASKET | 1 |
| 35 | 48-9020 | BOLT | 2 |
| 36 | 3234-12 | SCREW - HEX FLANGE HD | 2 |
| 37 | 51-1600 | ORDER 75-7680-01 | 1 |
| 37 | 52-9660 | ORDER 75-7680-01 | 1 |
| 37 | 75-7680-01 | DEFLECTOR - GRASS | 1 |

REELMASTER

REELMASTER® 335D / 3500D / 450D / 4000D / 4500D

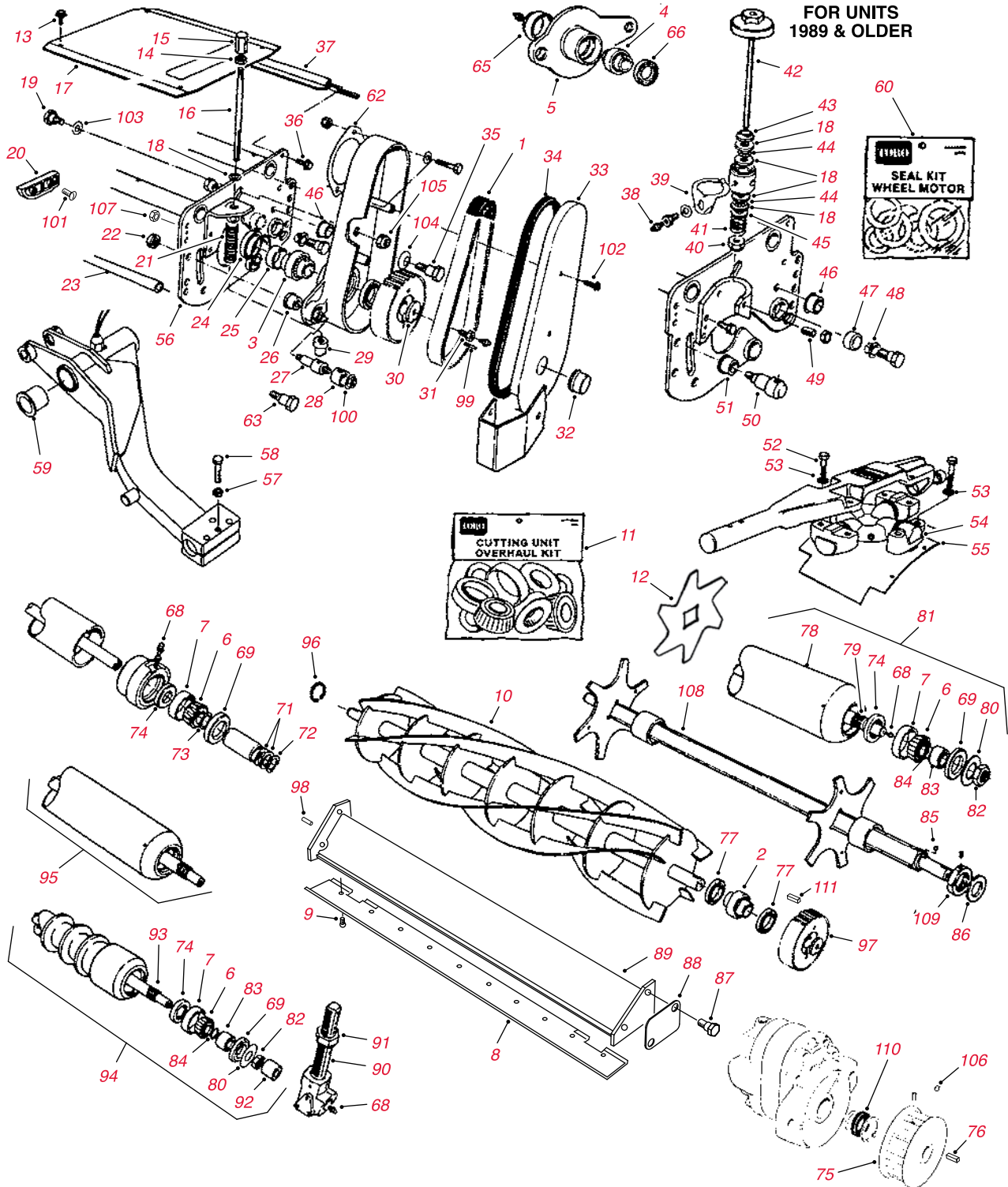


Cutting Unit Parts - continued

| Ref. No. | Part No. | Description | Qty. |
|----------|-------------|-------------------------|------------|
| 38 | 302-5 | GREASE FITTING | 2 |
| 39 | 52-3000 | ARM-SPRING | 2 |
| 40 | 3296-62 | LOCKNUT | 2 |
| 41 | 5-4373 | SPRING | 2 |
| 42 | 59-5580-01 | HANDLE | 2 |
| 43 | 253-84 | SEAL - ADJUST HANDLE | 2 |
| 44 | 257-6 | THRUST BEARING | 4 |
| 45 | 29-8870 | WASHER-FLAT | 2 |
| 46 | 256-252 | BUSHING | 2 |
| 47 | 62-6110 | BUSHING | 2 |
| 48 | 256-292 | BUSHING | 2 |
| 49 | 57-5190 | SCREW - ADJUSTMENT | 4 |
| 50 | 59-5570 | PIN | 2 |
| 51 | 256-113 | BUSHING | 2 |
| 52 | 3211-4 | CAP SCREW | 4 |
| 53 | 3253-21 | LOCK WASHER | 8 |
| 54 | 59-5910 | CROSS & BEARING | 1 |
| 55 | 75-8100 | COVER | 1 |
| 56 | 14-0829 | REEL FRAME ASSEMBLY | 1 |
| 57 | 3218-3 | NUT - JAM (RM 335/3500) | 5 |
| 58 | 323-50 | SCREW (335/3500) | 5 |
| 59 | 69-6470 | BUSHING | 10 |
| 60 | 42-2060 | ORDER 59-8400 | 1 |
| 60 | 59-8400 | SEAL KIT - WHEEL MOTOR | 1 |
| * | 62-6470 | HOUSING - DRIVE RH | 1 |
| 62 | 48-9050 | SHIELD - DRIVE PLATE | 1 |
| 63 | 59-6340 | BOLT (DETHATCHER) | 2 |
| 65 | 59-5560 | DUST CAP | 1 |
| 66 | 93-1414 | SEAL - GREASE | 1 |
| 68 | 302-5 | Grease Fitting | A/R |
| 69 | 253-165 | SEAL - SLEEVE | 2 |
| 71 | 3256-26 | WASHER | 2 |
| 72 | 3253-7 | LOCK WASHER | 1 |
| 73 | 47-7510 | WASHER | 2 |
| 74 | 253-122 | SEAL | 2 |
| 75 | 47-7150 | PULLEY - REEL MOTOR | 1 |
| 76 | 47-2380 | KEY - REEL MOTOR PULLEY | 1 |
| 77 | 253-145 | ORDER 93-1414 | 3 |
| 77 | 93-1414 | SEAL | 3 |
| 78 | 59-5640-01 | ORDER 104-4623-01 | 1 |
| 78 | 104-4623-01 | ROLLER TUBE ASSEMBLY | 1 |
| 79 | 66-5640 | SHAFT | 1 |
| 80 | 66-5620 | WASHER - THRUST | 2 |
| 81 | 59-5630 | REAR ROLLER ASSEMBLY | 1 |
| 82 | 3220-7 | JAM NUT | 1 |
| 83 | 59-5690 | WEAR SLEEVE | 2 |
| 84 | 237-54 | O-RING | 2 |
| 85 | 48-8880 | PIN-DOWEL | 2 |
| 86 | 38-7330 | WASHER-SHIELD | 2 |
| 87 | 66-5570 | ORDER 84-6090 | 4 |
| 87 | 84-6090 | SHOULDER BOLT | 4 |

REELMASTER

REELMASTER® 335D / 3500D / 450D / 4000D / 4500D



Cutting Unit Parts - continued

| Ref. No. | Part No. | Description | Qty. |
|----------|------------|--|------------|
| 88 | 48-9240 | Order 76-3580 | |
| 88 | 76-3580 | Bedbar Spacer | A/R |
| 89 | 59-5470-01 | BEDBAR | 1 |
| 89 | 77-4340-01 | BEDBAR | 1 |
| 90 | 84-6160 | COLLAR | 2 |
| 91 | 59-5820 | NUT | 4 |
| 92 | 59-5780 | BUSHING | 2 |
| 93 | 66-5650 | ROLLER SHAFT (34.25" ROLLER) | 1 |
| 93 | 84-6070 | ROLLER SHAFT (33.25" ROLLER) | 1 |
| 94 | 62-6030 | ORDER 62-6130 | 1 |
| 94 | 62-6130 | WIEHLE ROLLER ASSEMBLY (34.25" ROLLER) | 1 |
| 94 | 84-6080 | WIEHLE ROLLER ASSEMBLY (33.25" ROLLER) | 1 |
| 95 | 59-5630 | FRONT ROLLER ASSEMBLY (33.25" ROLLER) | 1 |
| 96 | 32151-71 | RING - RETAINING | 1 |
| 97 | 47-7140 | PULLEY - DRIVEN | 1 |
| 98 | 32121-11 | PIN - ROLL | 4 |
| 99 | 32121-50 | PIN - ROLL | 1 |
| 100 | 32128-15 | NUT - FLANGE LOCK | 2 |
| 101 | 32108-101 | SCREW | 4 |
| 102 | 3234-14 | SCREW - HEX FLANGE HD | 2 |
| 103 | 3256-69 | WASHER - FLAT | 1 |
| 104 | 3290-440 | WASHER - BELLEVILLE | 2 |
| 105 | 3296-28 | NUT - LOCK | 2 |
| 106 | 3246-17 | SCREW - SET | 2 |
| 107 | 3296-26 | NUT - LOCK | 4 |
| 108 | 59-6290 | SHAFT - DETHATCHER | 1 |
| 109 | 59-6330 | NUT - HEX | 1 |
| 110 | 66-5710 | ORDER 117-8976 | |
| 110 | 117-8976 | SEAL - REEL MOTOR SHAFT | 1 |
| 111 | 75-7570 | KEY - REEL PULLEY | 1 |
| * | 82-4910 | ROLLER | 1 |

REELMASTER

REELMASTER® 223D / 5100D / 5200D / 5300D / 5500D

Traction Unit Parts

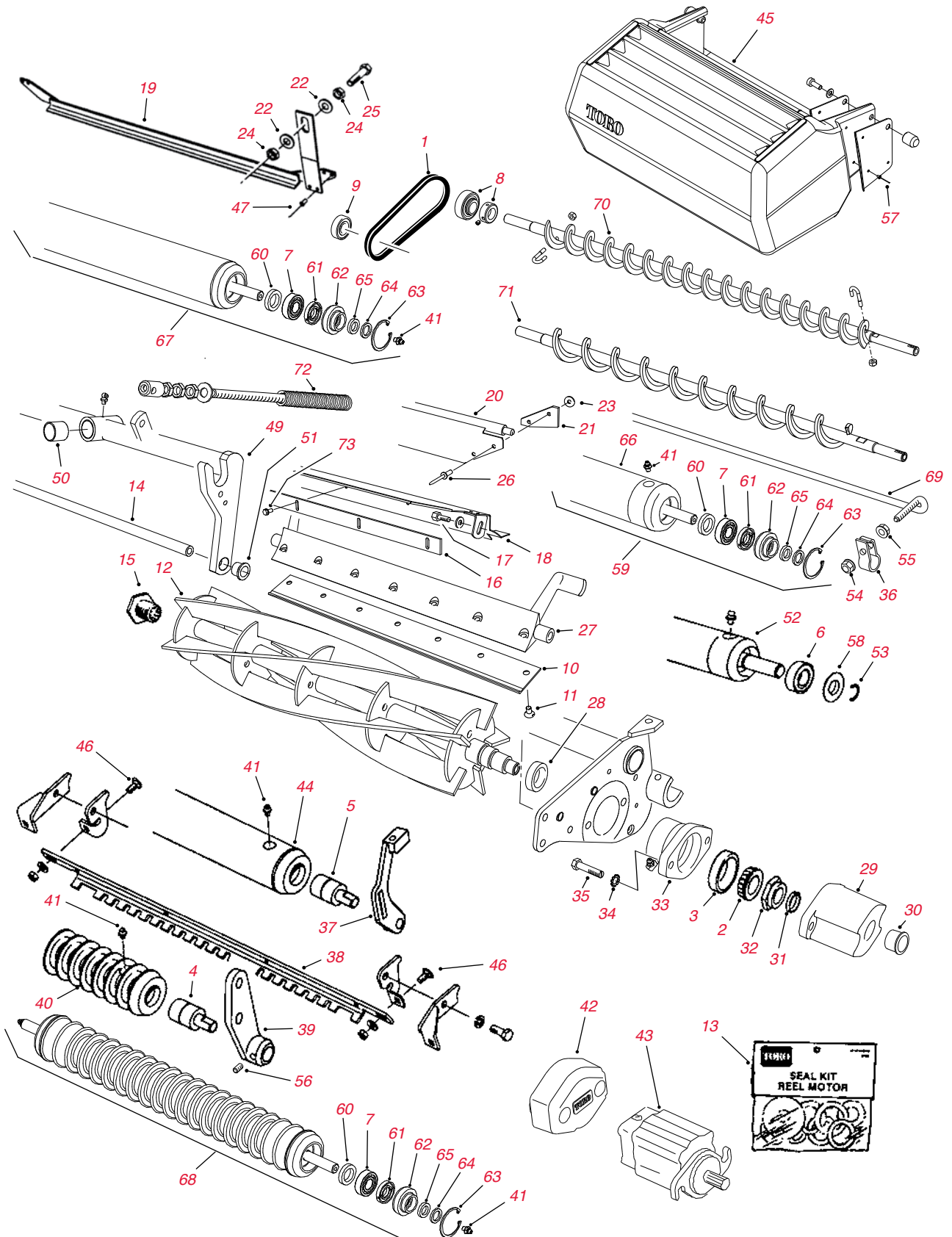
| | Part No. | Description | Qty. |
|----------------|----------------|--|------------|
| FILTERS | | | |
| | 30015** | 400 Hour Filter MVP Kit (RM 5200D/5400D) | A/R |
| | 30038** | 400 Hour Filter MVP Kit (RM 5500D) | A/R |
| | 67-4330 | ORDER 108-3841 | 1 |
| | 93-4295 | ORDER 112-8409 | 1 |
| | 112-8409 | FILTER - ENGINE OIL (5300D) | 1 |
| | 104-5167 | ORDER 108-3841 | 1 |
| | 98-9651 | ORDER 108-3841 | 1 |
| | 99-8384 | ORDER 108-3841 | 1 |
| | 108-3841 | FILTER - ENGINE OIL (KUBOTA) | 1 |
| | 27-7110 | ORDER 108-3833 | 1 |
| | 108-3833 | FILTER ELEMENT | 1 |
| | 93-2195 | ORDER 108-3811 | 1 |
| | 98-9763 | ORDER 108-3810 | 1 |
| | 108-3810 | ELEMENT - AIR (52/54/55) | 1 |
| | 108-3811 | ELEMENT - AIR (5100D) | 1 |
| | 98-7612 | FILTER - FUEL, PLASTIC (RM 5200/5400/5500) | 1 |
| | 108-3828 | FILTER - FUEL, METAL (RM 5200/5400/5500) | 1 |
| | 63-8300 | FILTER - FUEL (DIESEL) | 1 |
| | 99-8358 | ELEMENT - FUEL FILTER (RM 5200D/5400D 1999-01) | 1 |
| | 43-2550 | FILTER - FUEL PUMP | 1 |
| | 98-9764 | ELEMENT - SEPARATOR (5200D/5400D/5500D) | 1 |
| | 112-9140 | BIO-DIESEL FUEL FILTER KIT (5200D/5400D/5500D) | 1 |
| | 112-8400 | BIO-DIESEL FUEL PUMP KIT (5200D/5400D/5500D) | 1 |
| | 110-9015 | ELEMENT - SEPARATOR (BIO-DIESEL KIT) (5200D/5400D/5500D) | 1 |
| | 112-7836 | IN-LINE FUEL FILTER (BIO-DIESEL KIT 5200D/5400D/5500D) | 1 |
| | 75-1310 | FILTER - HYDRAULIC | 1 |
| | 94-2621 | FILTER - HYDRAULIC | 1 |
| | 75-1320 | ORDER 110-4146 | 1 |
| | 75-1330 | ORDER 110-4146 | 1 |
| | 110-4146 | FILTER - TRANSMISSION | 1 |
| | 75-6340 | FILTER - HYDRAULIC (RM 5200D/5400D/5500D) | 1 |
| | 98-9493 | ELEMENT - BREATHER (RM 5200D/5400D/5500D) | 1 |
| | 108-0638 | BOTTLE - OVERFLOW | 1 |
| BELTS | | | |
| | 98-3921 | BELT - COOLING FAN (RM 5500D) | 1 |
| | 98-9676 | BELT - ALTERNATOR (RM 5200D/5400D/5500D) | 1 |
| | 67-4410 | V-BELT - ALTERNATOR/WATER PUMP (RM 223D/5100D/5300D) | 1 |
| TIRES | | | |
| | 98-2373 | ORDER 93-6152 (5200D/5400D/5500D) | 2 |
| | 117-5196 | TIRE - FRONT (26.5 X 14 - 12) 2-PLY (5200D/5400D/5500D) | 2 |
| | 231-134 | TIRE - FRONT (26 X 12 - 12) 4-PLY (223D/5100D/5300D) | 2 |
| | 231-134 | TIRE - FRONT (26 X 12 - 12) 4-PLY (5200D/5400D) | 2 |
| | 86-5910 | TIRE - REAR (20 X 10 -10) 6-PLY (5200D/5400D/5500D) | 2 |
| SEAT | | | |
| | 131-6691 | SEAT COVER, LARGE | 1 |
| | 137-1312 | MESH SEAT COVER, LARGE | 1 |

Traction Unit Parts - continued

| | Part No. | Description | Qty. |
|---------------------------------|---|---|-------------|
| BEARINGS | See Quick Reference Guide for detailed information on bearing replacements for this model. Page 30-38 | | |
| | 21-8180 | BEARING | 2 |
| | 94-3405 | BEARING ASSEMBLY (FWD SHAFT SUPPORT) | 1 |
| | 251-307 | ORDER 251-259 | 2 |
| | 251-259 | BEARING - BALL (NEUTRAL ARM) | 2 |
| | 251-318 | BEARING - BALL | 2 |
| | 99-8351 | ASSEMBLY - FUEL FILTER (RM 5200D 1999-01/5500D 2000-01) | 1 |
| STARTER & ALTERNATOR | | | |
| | 112-1350 | STARTER (RM 223D/5100D) | 1 |
| | 112-1356 | STARTER (RM 5300D) | 1 |
| | 98-9705 | STARTER (RM 5200D/5400D/5500D) | 1 |
| | 67-4630 | ALTERNATOR (RM 223D/5100D) | 1 |
| | 131-6557 | ALTERNATOR (RM 5200D/5400D/5500D) | 1 |
| OTHER | | | |
| | 104-4620 | SEAT-STD | 1 |
| | 112-8400 | BIO-DIESEL FUEL PUMP KIT (5200D/5400D/5500D) | 1 |
| | 108-0638 | BOTTLE-OVERFLOW | 1 |
| | 29-6162 | SWITCH-MICRO | 1 |

REELMASTER

REELMASTER® 223D / 5100D / 5200D / 5300D / 5500D

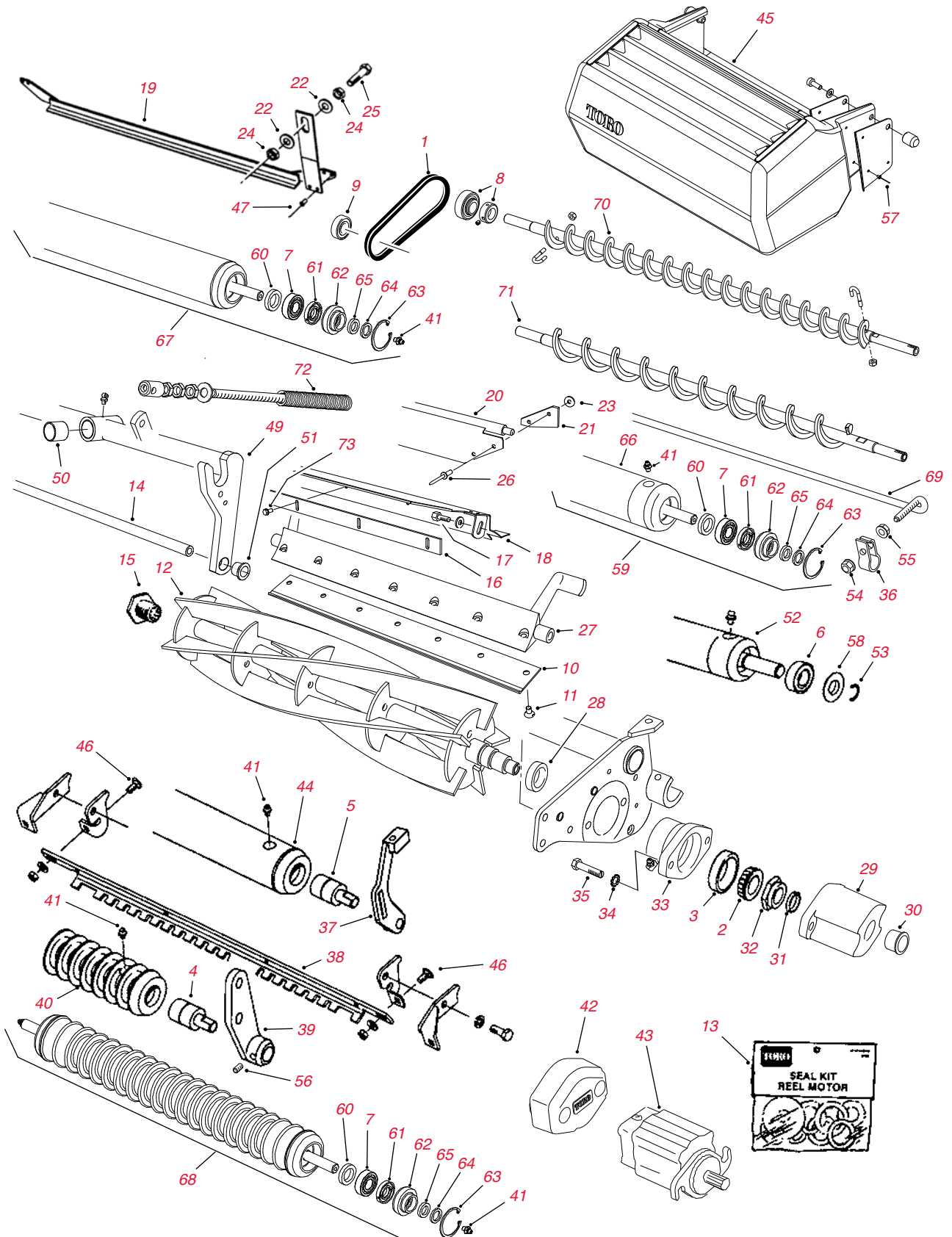


Cutting Unit Parts

| Ref. No. | Part No. | Description | Qty. |
|----------|-------------------|---|------------|
| 1 | 104-8231 | ORDER 108-6709 | 1 |
| 1 | 108-6709 | BELT - REAR ROLLER BRUSH DRIVE (RM 5200D/5400D) | 1 |
| 2 | 254-94 | BEARING CONE | 2 |
| 3 | 254-72 | BEARING CUP | 2 |
| 4 | 75-1290 | BEARING | 2 |
| 5 | 21-8430 | ORDER 52-3180 | 2 |
| 5 | 52-3210 | ORDER 52-3180 | 2 |
| 5 | 52-3180 | BEARING | 2 |
| 6 | 85-9970 | BEARING | 2 |
| 7 | 109966 | BEARING - BALL | 2 |
| 8 | 98-5208 | BEARING - ROLLER BRUSH SHAFT (RM 223D/5100D/5300D) | 2 |
| | 104-1842 | ORDER 132-6979 | |
| 8 | 132-6979 | BEARING - ROLLER BRUSH SHAFT (RM 5200D/5400D) | 2 |
| 9 | 251-336 | BEARING - ROLLER BRUSH DRIVE (RM 223D/5100D/5300D) | 1 |
| 9 | 98-5215 | BEARING - ROLLER BRUSH DRIVE (RM 5200D/5400D) | 1 |
| 10 | 100-3350 | BEDKNIFE - HIGH-CUT | 1 |
| 10 | 63-8610 | BEDKNIFE - FAIRWAY-CUT | 1 |
| 10 | 112-7475 | BEDKNIFE - FAIRWAY-CUT - EDGEMAX | 1 |
| * | 137-0879 | BEDKNIFE - 21" FAIRWAY CUT - EDGEMAX | 1 |
| | 57-4910 | ORDER 119-4151 | 7 |
| 11 | 119-4151 | BEDKNIFE SCREW | 7 |
| | 14-0649 | ORDER 130-0093 | |
| 12 | 130-0093 | REEL - 8 BLADE (5" DIA - CUTTING UNITS 03506/03509/03528) | 1 |
| | 14-0659 | ORDER 130-0088 | |
| 12 | 130-0088 | REEL - 5 BLADE (5" DIA - CUTTING UNIT 03527) | 1 |
| * | 107-1590** | Reel Overhaul MVP Kit (1990-01) | A/R |
| 13 | 72-4380 | ORDER 92-8863 | 1 |
| 13 | 75-1270 | ORDER 92-8863 | 1 |
| 13 | 353-469 | ORDER 92-8863 | 1 |
| 13 | 353-585 | ORDER 92-8863 | 1 |
| 13 | 92-8863 | SEAL KIT - REEL MOTOR | 1 |
| 14 | 75-1710 | ROD - SUPPORT (RM 5100/5300) | 1 |
| 14 | 104-3365 | ROD - SUPPORT (RM 5200/5400) | 1 |
| 15 | 10-5100 | ORDER 93-1394 | 1 |
| 15 | 77-0340 | ORDER 93-1394 | 1 |
| 15 | 93-1394 | SPLINE NUT | 1 |
| 16 | 36-7260 | CUTOFF BAR | 1 |
| 17 | 321-4 | CAP SCREW | 2 |
| 18 | 75-1840 | GRASS SHIELD | 1 |
| 19 | 75-1750-01 | SCRAPER - REAR (03512) | 1 |
| 20 | 75-1560-01 | DEFLECTOR - REAR | 1 |
| 21 | 75-1720 | FLAP - DEFLECTOR | 2 |
| 22 | 3256-24 | WASHER - FLAT | 4 |
| 23 | 3256-49 | WASHER - FLAT | 4 |
| 24 | 3218-3 | NUT - JAM | 4 |
| 25 | 323-50 | SCREW - CAP HEX HD | 2 |
| 26 | 3269-4 | RIVET - POP | 4 |
| 27 | 10-4930-01 | BEDBAR | 1 |
| 28 | 253-96 | OIL SEAL (2000 & OLDER) | 2 |
| 28 | 104-3388 | OIL SEAL (2001 & UP) | 2 |
| 29 | 10-5080-01 | CAP - END | 1 |
| 30 | 12-0460 | CAPLUG | 1 |
| 31 | 253-61 | OIL SEAL | 1 |
| 32 | 3296-60 | NUT - REEL | 1 |
| 33 | 10-5120 | ORDER 104-3398 | 2 |
| 33 | 104-3398 | BEARING HOUSING (2000 & OLDER) | 2 |
| 33 | 104-3399 | BEARING HOUSING (2001 & UP) | 2 |
| 34 | 3255-9 | LOCK WASHER | 4 |

REELMASTER

REELMASTER® 223D / 5100D / 5200D / 5300D / 5500D

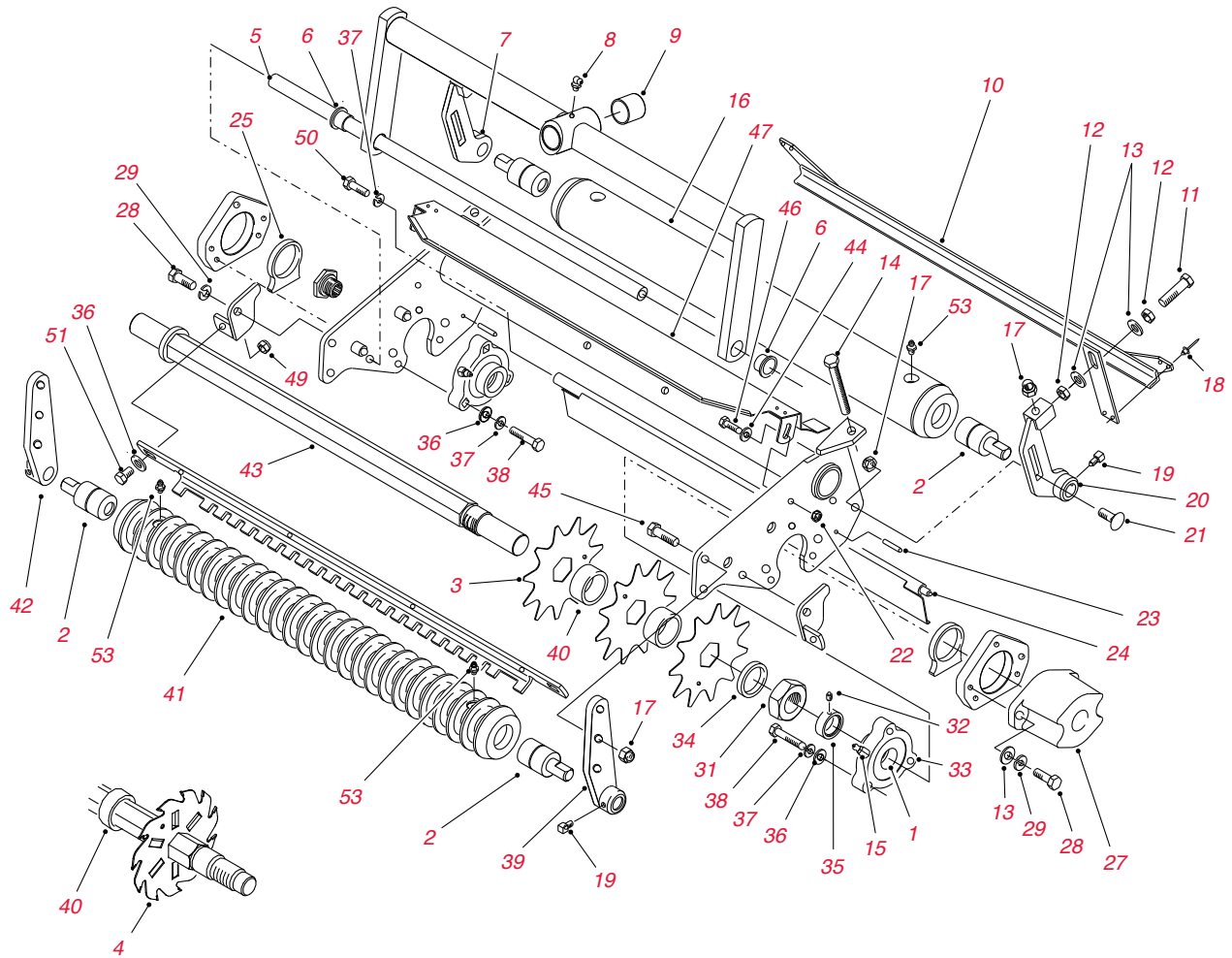


Cutting Unit Parts - continued

| Ref. No. | Part No. | Description | Qty. |
|----------|-------------------|--|------------|
| 35 | 57-3210 | BOLT | 4 |
| 36 | 92-3087 | BRACKET - SCRAPER | 2 |
| 37 | 75-1610-01 | BRACKET - HOC REAR (RH) | 1 |
| 37 | 75-1620-01 | BRACKET - HOC REAR (LH) | 1 |
| 38 | 83-5400 | FRONT ROLLER SCRAPER KIT | 1 |
| 39 | 75-1960-01 | BRACKET - HOC FRONT (RH) | 1 |
| 39 | 75-1980-01 | BRACKET - HOC FRONT (LH) | 1 |
| 40 | 75-1520 | WIEHLE ROLLER ASSEMBLY | 1 |
| * | 107-1592** | Front Roller Rebuild MVP Kit | A/R |
| 41 | 302-5 | GREASE FITTING | 2 |
| 42 | 100-7113-01 | WEIGHT - END (2001 & UP) | 1 |
| * | 100-6426 | ORDER 112-9200 | 1 |
| * | 108-6487 | ORDER 112-9200 | 1 |
| * | 112-9200 | ORDER 120-2072 | 1 |
| 43 | 120-2072 | HYDRAULIC MOTOR ASSEMBLY (2003-05) | 1 |
| 44 | 75-1850 | ORDER 85-7220 | 1 |
| 44 | 85-7220 | REAR ROLLER ASSEMBLY - 2" (1990-92) | 1 |
| * | 107-1588** | Rear Roller Rebuild MVP Kit (Bearings 52-3180 — 1990-92) | A/R |
| 45 | 75-4010 | ORDER 104-8219 | 1 |
| 45 | 104-8219 | GRASS BASKET ASSEMBLY (5000 SERIES) | 1 |
| 45 | 108-4991 | FAIRWAY GRASS BASKET ASSEMBLY (5010 model) | 1 |
| 46 | 3230-1 | BOLT - CARRIAGE | 2 |
| 47 | 3269-3 | RIVET - POP (FOR 98-1450) | 4 |
| 47 | 3269-23 | RIVET - POP (FOR 79-1750-01) | 4 |
| 49 | 100-4194 | CARRIER FRAME (RM 5100/5300) | 1 |
| 50 | 67-1750 | BUSHING | 2 |
| 51 | 75-2160 | BUSHING | 2 |
| 52 | 85-7220 | REAR ROLLER ASSEMBLY - 2" (1993-97) | 1 |
| 53 | 32151-12 | RING - RETAINING | 2 |
| 54 | 32128-32 | NUT - FLANGE LOCK | 2 |
| 55 | 32128-33 | NUT - FLANGE LOCK | 1 |
| 56 | 3246-2 | SCREW - SET | 2 |
| 57 | 3269-28 | RIVET - POP | 10 |
| 58 | 85-7190 | WASHER - SHIELD | 2 |
| 59 | 94-0694 | PREMIUM REAR ROLLER ASSEMBLY - 2.5" | 1 |
| * | 106-9606** | Roller Rebuild MVP Kit (Bearings 109966 - 2001 & after) | A/R |
| 60 | 93-3007 | SEAL - OIL | 2 |
| 61 | 93-1251 | SEAL - INNER | 2 |
| 62 | 93-1252 | SEAL - OUTER | 2 |
| 63 | 32120-62 | RING - RETAINING | 2 |
| 64 | 93-2931 | WASHER - ROLLER | 2 |
| 65 | 253-70 | SEAL - OIL | 2 |
| 66 | 94-0695 | TUBE - ROLLER | 1 |
| 67 | 100-2536 | ROLLER ASSEMBLY | 1 |
| 69 | 92-3086 | ROD - REAR ROLLER SCRAPER | 1 |
| 69 | 98-1450 | ROD - REAR ROLLER SCRAPER (5200/5400) | 1 |
| 70 | 105-6792 | REPLACEMENT REAR ROLLER BRUSH (2006 & UP) | 1 |
| * | 106-9627** | Rear Roller Brush Rebuild MVP Kit | A/R |
| 71 | 100-7119 | ORDER 106-9627 | 1 |
| 71 | 106-9627 | REAR ROLLER BRUSH ASSEMBLY (1999-05) | 1 |
| 72 | 104-3394 | SPRING - COMPRESSION (RM 5200/5400) | 1 |
| 73 | 104-2065 | SCREW - HEX HD. | 5 |
| * | 29-9100 | BRUSH AND HANDLE ASM (RM 5200/5400/5500) | 1 |
| * | 99-5748 | SHAFT - ROLLER (RM 5500/6000 1999-2008) | 1 |

REELMASTER

REELMASTER® 223D / 5100D / 5200D / 5300D / 5500D



Dethatching Reel Parts

| Ref. No. | Part No. | Description | Qty. |
|----------|-------------------|---|------------|
| 1 | 94-3405 | BEARING ASSEMBLY (INCL #32 & 35) | 2 |
| 2 | 75-1290 | BEARING | 4 |
| 3 | 17-1590 | BLADE - 11 TOOTH (STD) | 24 |
| 4 | 106-5422 | BLADE - DETHATCHING REEL (1MM CARBIDE TIPPED) | 24 |
| 4 | 106-6355 | BLADE - DETHATCHING REEL (2MM CARBIDE TIPPED) | 24 |
| * | 106-6392** | Dethatching Reel Blade MVP Kit (108 Blades 106-6355) | A/R |
| 5 | 75-1710 | SUPPORT | 1 |
| 6 | 75-2160 | BUSHING - FLANGE | 2 |
| 7 | 82-6630-01 | BRACKET - HOC RH | 1 |
| 8 | 302-60 | FITTING - GREASE | 1 |
| 9 | 67-1750 | BUSHING - AXLE | 2 |
| 10 | 82-6740 | SCRAPER ASSEMBLY | 1 |
| 11 | 323-53 | SCREW - CAP | 2 |
| 12 | 3218-3 | NUT - JAM | 4 |
| 13 | 3256-24 | WASHER - FLAT | 8 |
| 14 | 323-49 | SCREW - SPECIAL | 2 |
| 15 | 302-11 | FITTING - GREASE | 2 |
| 16 | 82-6680 | ORDER 114-5404 | 1 |
| 16 | 114-5404 | REAR ROLLER ASSEMBLY | 1 |
| * | 107-1592** | Roller Rebuild MVP Kit | A/R |
| 17 | 3296-39 | NUT - LOCK | 8 |
| 18 | 3269-3 | RIVET - POP | 4 |
| 19 | 3242-1 | SCREW - SET | 4 |
| 20 | 82-6650-01 | BRACKET - HOC LH | 1 |
| 21 | 3231-25 | BOLT - CARRIAGE | 2 |
| 22 | 3296-42 | NUT - LOCK | 2 |
| 23 | 32121-12 | PIN - ROLL | 2 |
| 24 | 82-6780-01 | DEFLECTOR - REAR | 1 |
| 25 | 82-6820 | SPACER - BEARING | 2 |
| 27 | 10-5080-01 | CAP - END | 1 |
| 28 | 323-6 | SCREW - CAP | 6 |
| 29 | 3253-21 | WASHER - LOCK | 6 |
| 31 | 3220-18 | NUT - JAM | 1 |
| 32 | 3245-35 | SCREW - SET | 2 |
| 33 | 76-2460 | BEARING ASSEMBLY (INCL #1, 15, 32 & 35) | 2 |
| 34 | 17-1600 | SPACER | 2 |
| 35 | 251-77 | COLLAR - LOCK | 2 |
| 36 | 3256-23 | WASHER - FLAT | 8 |
| 37 | 3253-4 | WASHER - LOCK | 7 |
| 38 | 322-7 | SCREW - CAP | 6 |
| 39 | 82-6530-01 | SUPPORT - HOC LH | 1 |
| 40 | 82-6600 | SPACER | 23 |
| 41 | 75-1520 | WIEHLE ROLLER ASSEMBLY | 1 |
| * | 107-1592** | Roller Rebuild MVP Kit | A/R |
| 42 | 82-6510-01 | SUPPORT - HOC RH | 1 |
| 43 | 82-6570 | SHAFT - REEL | 1 |
| 44 | 3256-1 | WASHER - FLAT | 2 |
| 45 | 323-7 | SCREW - CAP | 4 |
| 46 | 321-4 | SCREW - CAP | 2 |
| 47 | 75-1840 | SHIELD - GRASS | 1 |
| 49 | 3296-29 | NUT - LOCK | 2 |
| 50 | 322-5 | SCREW - CAP | 1 |
| 51 | 322-3 | SCREW - CAP | 2 |
| 53 | 302-5 | FITTING - GREASE | 4 |
| * | 110-7352 | SCREW - HOC (RM 5500) | 1 |

REELMASTER

TIER 4 REELMASTER® 5010-H / 5210 / 5410 / 5510 / 5610

MODELS: 03672 / 03687

Traction Unit Parts

| Part No. | Description | Qty. |
|---|---|------------|
| FILTERS | | |
| 30039** | 400 Hour Filter MVP Kit 5210/5410/5510 (2006-2007) | A/R |
| 30040** | 400 Hour Filter MVP Kit 5610 (2006-2007) | A/R |
| 30054** | 400 Hour Filter MVP Kit 5210/5410/5510 Non Tier4 (2008 & Up) | A/R |
| 30055** | 400 Hour Filter MVP Kit 5610 (2008 - 2012) | A/R |
| 30247** | 800 Hour Filter MVP Kit 5010-H | A/R |
| 30093** | 800 Hour Filter MVP Kit 5410D/5510D Tier4 Final | A/R |
| 108-3841 | ENGINE OIL FILTER | 1 |
| 108-3810 | AIR FILTER ELEMENT | 1 |
| 98-7612 | IN-LINE FUEL FILTER, PLASTIC (2006-2007) | 1 |
| 108-3828 | IN-LINE FUEL FILTER, METAL (2006-2007) | 1 |
| 98-9764 | FUEL FILTER/SEPARATOR ELEMENT (2006-2007) | 1 |
| 110-9049 | FUEL FILTER/SEPARATOR ELEMENT (2008 & UP) | 1 |
| 98-9305 | FUEL FILTER SEPARATOR ASSEMBLY (INCL #4 - 2006-2007) | 1 |
| 110-9044 | FUEL FILTER SEPARATOR ASSEMBLY (INCL #4 - 2008 & UP) | 1 |
| 112-9140 | BIO-DIESEL FUEL FILTER KIT (FOR 2006 & 2007 UNITS) | 1 |
| 112-8400 | BIO-DIESEL FUEL FILTER KIT | 1 |
| 110-9015 | FUEL FILTER/SEPARATOR ELEMENT (BIO-DIESEL KIT) | 1 |
| 112-7836 | IN-LINE FUEL FILTER (BIO-DIESEL KIT) | 1 |
| 86-3010 | HYDRAULIC OIL FILTER (STEERING) | 1 |
| 94-2621 | HYDRAULIC OIL FILTER (RESERVOIR) | 1 |
| 92-5821 | HEAD - FILTER (RM 5410/5510/5610) | 1 |
| 114-4057 | ELEMENT-SAFETY, 5" | 1 |
| 125-7025 | FILTER | 1 |
| 125-2915 | FILTER-SPIN ON | 1 |
| 125-8752 | FILTER-FUEL | 1 |
| 127-3075 | FILTER ASM | 1 |
| 125-2914 | SEPARATOR FILTER ASM | 1 |
| 108-3814 | FILTER-AIR (RM 5510D) | 1 |
| 108-3816 | FILTER-AIR (RM 5510D) | 1 |
| BEARINGS | | |
| See Quick Reference Guide for detailed information on bearing replacements for this model. Page 30-38 | | |
| 254-94 | BEARING CONE | 4 |
| 254-72 | BEARING CUP | 4 |
| 127-2958 | BEARING-BALL | 1 |
| 127-2983 | BEARING-BALL | 1 |
| 105-8118 | BEARING-CONE | 1 |
| 105-8120 | BEARING-CONE | 1 |
| 112-5290 | BEARING-STEEL, STAINLESS | 1 |
| 120-3366 | BEARING | 1 |
| 125-5279 | BEARING-ROLLER | 1 |
| 120-4621 | BEARING (5010-H) | 1 |
| 125-7249 | BEARING, BALL | 1 |
| 125-7251 | BEARING-BALL | 1 |
| 125-7252 | BEARING-BALL | 1 |
| 125-7253 | BEARING-BALL | 1 |
| 119-8558 | BEARING-BALL | 1 |
| 99-7532 | BEARING-ROLLER, TAPER | 1 |
| 99-7534 | BEARING-BALL | 1 |
| 93-7775 | BEARING-BALL | 1 |
| 99-7570 | BEARING-ROLLER, TAPER | 1 |
| BELTS | | |
| 104-3494 | V-BELT - ALTERNATOR DRIVE (5010-H) | 1 |
| 98-9676 | V-BELT - ALTERNATOR DRIVE (5210/5410/5510/5610) | 1 |
| 127-2998 | V- BELT | 1 |

¹Recommended for flat turf conditions

*Not illustrated. **Not sold separately. See pages 20-33 for kit contents. Prices subject to change without notice. Please see your Parts Catalog or Master Parts Viewer to ensure the correct part is ordered, as the part you need may not be listed above. toro.com/parts

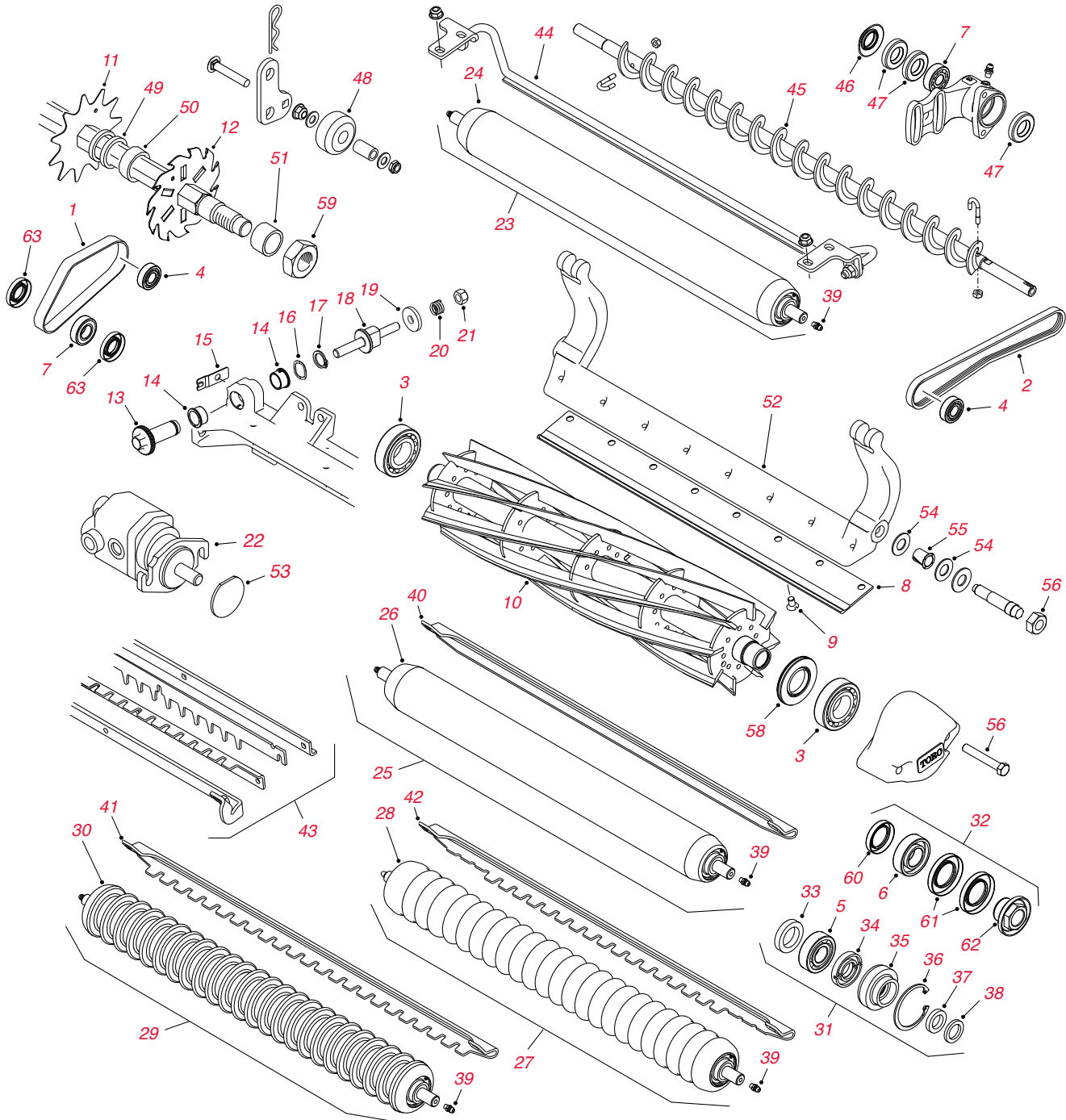
Traction Unit Parts - continued

| | Part No. | Description | Qty. |
|---------------------------------|-------------|--|------|
| TIRES | | | |
| | 87-6740 | ORDER 110-5132 | 2 |
| | 110-5132 | TIRE - FRONT (5210 - 2006-MID 2008) | 2 |
| | 115-8090 | ORDER 95-2638 | 2 |
| | 95-2638 | TIRE - FRONT (5210 - MID 2008 & UP) | 2 |
| | 117-5196 | TIRE - FRONT (5410/ 5010-H /5510/5610) | 2 |
| | 86-5910 | TIRE - REAR (5210) | 2 |
| | 95-8656 | ORDER 115-1572 | 2 |
| | 115-1572 | TIRE - REAR (5210 - 2007 & UP) | 2 |
| | 104-0451 | ORDER 117-5125 | 2 |
| | 117-5125 | TIRE - REAR (5010-H/5410/5510/5610) | 2 |
| | 127-2796 | TIRE - REAR (20 X 12 - 10) 4-PLY, SMOOTH (5010-H/5410/5510/5610) | 2 |
| | 133-2940 | TIRE - FRONT (26.5 X 14 - 12) 4-PLY (5010-H/5410/5510/5610) | 2 |
| | 136-7963 | TIRE ASM (5010-H/5410/5610) | 2 |
| SEAT | | | |
| | 131-6691 | SEAT COVER, LARGE | 1 |
| | 137-1312 | MESH SEAT COVER, LARGE | 1 |
| | 104-4620 | SEAT - STD | 1 |
| | 92-8991 | ADJUSTER - SEAT ASM | 1 |
| | 108-1757 | COVER - SEATBASE | 1 |
| STARTER & ALTERNATOR | | | |
| | 98-9705 | STARTER ASSEMBLY (5210/5410/5510/5610) | 1 |
| | 131-6557 | ALTERNATOR ASSEMBLY (5210/5410/5510/5610) | 1 |
| | 131-6561 | STARTER ASSEMBLY (5010-H) | 1 |
| | 127-3818 | STARTER ASM | 1 |
| | 125-7003 | STARTER | 1 |
| | 106-5269 | IGNITION SWITCH ASM (5010 SERIES) | 1 |
| | 106-5270 | IGNITION KEY SET (RM 5010 SERIES) | 1 |
| HYDRAULIC MOTOR | | | |
| | 107-4544 | HYD MOTOR ASM (5010 SERIES) | 1 |
| | 108-1825 | HYD MANIFOLD ASM (RM 5610 2011 & UP) | 1 |
| | 110-0901 | HYD MOTOR ASM (5010 SERIES) | 1 |
| | 106-3662 | HOSE - HYD (RM 5010 Series) | 4 |
| | 133-2934 | HYD MOTOR ASM (5010 SERIES) | 1 |
| | 133-2935 | HYD MOTOR ASM (5010-H/5410/5510/5610) | 1 |
| | 106-3662 | HOSE-HYD (RM 5010 SERIES 2010 & UP) | 4 |
| | 340-139 | FITTING - ELBOW 90 (5010 SERIES) | 1 |
| | 119-6972 | VARIABLE HYDRAULIC PUMP ASM (5010 SERIES) | 1 |
| | 119-6987 | HYD CYLINDER ASM (5010 SERIES) | 2 |
| OTHER | | | |
| | 125-2165 | ORDER 132-5206 | 1 |
| | 132-5206 | ENGINE - KUBOTA, V1505 | 1 |
| | 125-1984 | SPACER, REEL DRIVE HYDRAULIC ASM | 5 |
| | 104-4246 | FAN - ENGINE (RM 5210) | 1 |
| | 120-6274 | MOUNT - ENGINE (RM 5010-H/5210/5410/5510) | 4 |
| | 108-7623 | TUBE ASM (5610) | 1 |
| | 108-7624 | TUBE ASM (5610) | 1 |
| | 108-7625 | TUBE ASM (5010 Series) | 1 |
| | 98-1471 | WHEEL - STEERING (5410/5510/5610) | 1 |
| | 119-6968 | DIPSTICK - OIL | 1 |
| | 100-1535 | SWITCH (5010-H/5410/5510) | 1 |
| | 120-6260 | RH BRAKE ASM (RM 5010-H/5410/5510/5610) | 1 |
| | 120-6261 | LH BRAKE ASM (RM 5010-H/5410/5510/5610) | 1 |
| | 180-1672 | MANIFOLD - TUBE (5210/5410/5510/5610) | 1 |
| | 110-8882 | VALVE - RELIEF, CROSS OVER | 1 |
| | 107-4501-01 | PLATFORM ASM (5210/5410/5510/5610) | 1 |
| | 125-2169 | ENGINE - KUBOTA, V1505T (5610) | 1 |
| | 112-9919 | STOP - CABLE, THROTTLE (5210/5410/5510/5610) | 1 |
| | 108-6715 | GAUGE BAR ASM (5010 SERIES) | 1 |
| | 112-9184 | SEAL KIT (5210/5410) | 1 |
| | 100-1854 | PLUG - GLOW (RM 5410/5510) | 4 |
| | 117-9507 | PEDAL - ACCELERATOR (RM 5010 SERIES) | 1 |

REELMASTER

TIER 4 REELMASTER® 5010-H / 5210 / 5410 / 5510 / 5610

MODELS: 03672 / 03687



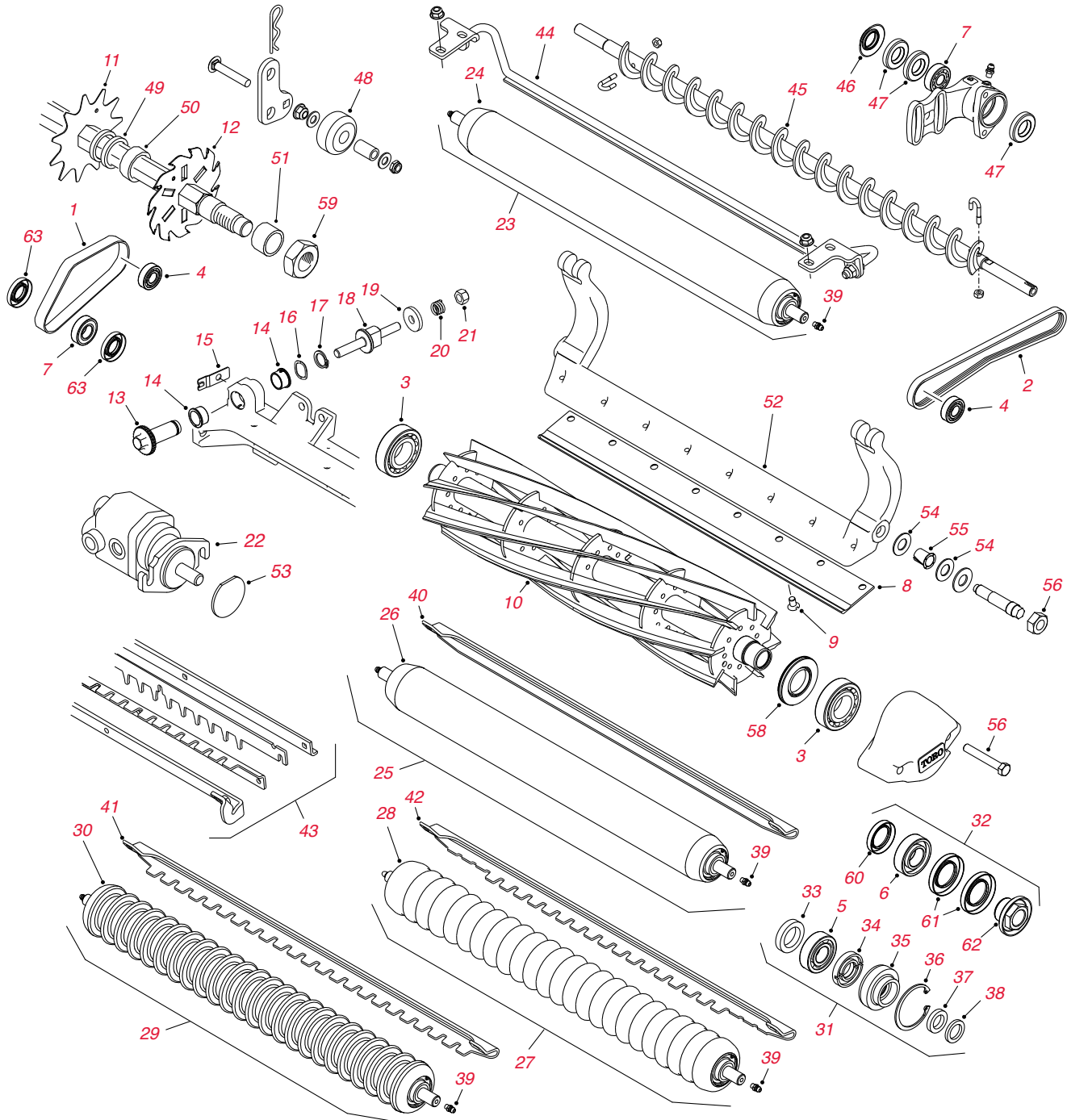
Cutting Unit & Verticutter Parts

| Ref. No. | Part No. | Description | Qty. |
|----------|----------|---|------|
| 1 | 108-4497 | BELT - GROOMER DRIVE (RM 5210/5410) | 1 |
| 1 | 110-1716 | BELT - GROOMER DRIVE (RM 5510/5610) | 1 |
| 2 | 110-1746 | BELT - REAR ROLLER BRUSH DRIVE (5210/5410) | 1 |
| 2 | 110-1747 | BELT - REAR ROLLER BRUSH DRIVE (5510/5610) | 1 |
| 2 | 115-0894 | BELT - BRUSH DRIVE ASM | 1 |
| 3 | 93-2489 | BEARING - REEL | 2 |
| 4 | 93-2559 | BEARING - (GROOMER/ROLLER BRUSH DRIVE) | 1 |
| 5 | 109966 | BEARING - ROLLER | 4 |
| 6 | 112-5290 | BEARING - STAINLESS STEEL | 1 |
| 7 | 95-0707 | BEARING - BALL (REAR ROLLER BRUSH/GROOMER DRIVE) | 2 |
| | 117-0978 | ORDER 120-1640 | |
| 8 | 120-1640 | BEDKNIFE - FAIRWAY-CUT EXTENDED | 1 |
| 8 | 108-9095 | ORDER 137-0833 | 1 |
| * | 137-0833 | BEDKNIFE - 22" FAIRWAY CUT - EDGEMAX | 1 |
| * | 137-0832 | BEDKNIFE - 22" FAIRWAY LOW CUT - EDGEMAX | 1 |
| 8 | 108-9096 | BEDKNIFE - FAIRWAY-CUT | 1 |
| 8 | 110-4074 | BEDKNIFE - FAIRWAY-CUT - HEAVY DUTY | 1 |
| 8 | 110-4084 | BEDKNIFE - LOW-CUT | 1 |
| * | 119-4280 | BEDKNIFE - EDGEMAX EXTENDED LOW HOC | 1 |
| | 57-4910 | ORDER 119-4151 | 8 |
| 9 | 119-4151 | SCREW - BEDKNIFE | 8 |
| | 108-9070 | ORDER 127-2070 | |
| 10 | 127-2070 | REEL - 5 BLADE Service Only (5" DIA - CUTTING UNITS 03661/03694/03695) | 1 |
| | 108-9071 | ORDER 127-2065 | |
| | 119-4270 | ORDER 127-2065 | |
| 10 | 127-2065 | ORDER 137-8416 | |
| * | 137-8416 | REEL+ - 8 BLADE, 5" FAIRWAY | 1 |
| | 117-3793 | ORDER 127-2066 | |
| 10 | 127-2066 | REEL - 11 BLADE 5" FAIRWAY | 1 |
| | 108-9072 | ORDER 127-2077 | |
| 10 | 127-2077 | REEL - 5 BLADE SERVICE ONLY (7" DIA - CUTTING UNITS 03681/03863/03696/03698/03864/03682/03697/03699) | 1 |
| | 107-3264 | ORDER 127-2084 | |
| 10 | 127-2084 | ORDER 137-8432 | |
| * | 137-8432 | REEL+ - 8 BLADE 7" FAIRWAY | |
| | 117-0980 | ORDER 127-2085 | |
| 10 | 127-2085 | ORDER 137-8433 | 1 |
| * | 137-8433 | REEL+ - 11 BLADE 7" FAIRWAY | 1 |
| 10 | 131-3203 | REEL - 8 BLADE RR (5" DIA - CUTTING UNIT 03913/03482/03634) | 1 |
| 10 | 131-3204 | REEL - 11 BLADE RR (5" DIA - CUTTING UNIT 03483/03635) | 1 |
| 10 | 132-7109 | ORDER 137-8426 | 1 |
| * | 137-8426 | EDGESERIES REEL+ - 8 BLADE, 5" FAIRWAY RR | 1 |
| 10 | 132-7112 | EDGESERIES REEL - 11 BLADE FSR (5" DIA - CUTTING UNITS 03483/03635/03488ES/03623ES) | 1 |
| 10 | 133-8205 | EDGESERIES REEL - 5 BLADE RR (7" DIA - CUTTING UNITS 03638/03639/03641/03636/03637) | 1 |
| 10 | 131-6805 | EDGESERIES REEL - 8 BLADE RR (7" DIA - CUTTING UNITS 03638/03639/03641/03636/03637) | 1 |
| 10 | 131-6809 | ORDER 137-8446 | 1 |
| * | 137-8446 | EDGESERIES REELS+ - 8 BLADE 7" FAIRWAY FSR | 1 |
| 10 | 131-6801 | ORDER 137-8447 | 1 |
| * | 137-8447 | EDGESERIES REELS+ - 11 BLADE 7" FAIRWAY FSR | 1 |
| 10 | 133-8201 | ORDER 137-8423 | 1 |
| * | 137-8423 | EDGESERIES REEL+ - 11 BLADE 5" FAIRWAY | 1 |
| 10 | 133-8203 | EDGESERIES REEL - 11 BLADE FSR (5" DIA - CUTTING UNITS 03695) | 1 |
| 10 | 133-8211 | EDGESERIES REEL - 8 BLADE RR (7" DIA - CUTTING UNITS 03681/03863/03696/03698) | 1 |
| 10 | 127-0294 | ORDER 137-8439 | 1 |
| * | 137-8439 | EDGESERIES REELS+ 11 BLADE 7" FAIRWAY FSR | 1 |

REELMASTER

TIER 4 REELMASTER® 5010-H / 5210 / 5410 / 5510 / 5610

MODELS: 03672 / 03687



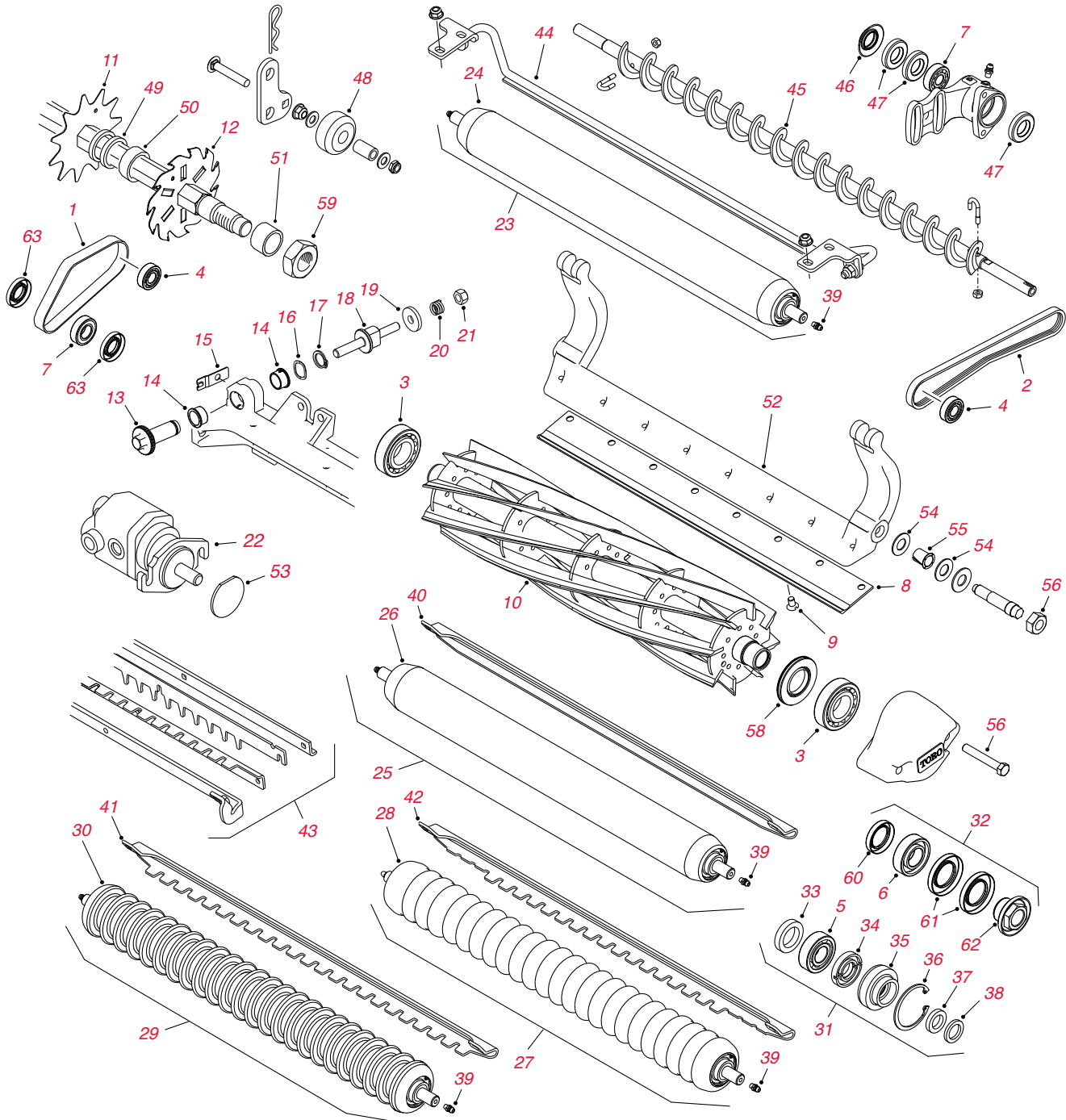
Cutting Unit & Verticutter Parts - continued

| Ref. No. | Part No. | Description | Qty. |
|----------|-------------------|---|------------|
| 11 | 17-1590 | BLADE - 11 TOOTH (STD) | 37 |
| 12 | 106-6355 | BLADE - DETHATCHING REEL (2MM CARBIDE TIPPED) | 37 |
| * | 106-6392** | Dethatching Reel Blade MVP Kit (108 Blades 106-6355) | A/R |
| 13 | 106-5363 | ADJUSTER | 2 |
| 14 | 106-5344 | BUSHING - KEYED FLANGE | 4 |
| 15 | 99-2097 | DETENT | 2 |
| 17 | 32120-93 | RING - RETAINING | 2 |
| 18 | 99-2096 | SCREW - ADJUSTER | 2 |
| 19 | 99-2098 | WASHER | 2 |
| 20 | 99-3755 | ORDER 119-4156 | 2 |
| 20 | 119-4156 | SPRING - COMPRESSION | 2 |
| 21 | 33025-00 | NUT - LOCK | 2 |
| * | 108-6487 | ORDER 112-9200 | 1 |
| * | 112-9200 | ORDER 120-2072 | |
| 22 | 120-2072 | REEL MOTOR (5210 & 5410) | 1 |
| 23 | 110-4066 | ORDER 114-5406 | 1 |
| 23 | 114-5406 | REAR ROLLER ASSEMBLY - 2.5" SHORT (RM 5210/5410 2006-07) | |
| 23 | 107-4040 | ORDER 114-5404 | 1 |
| * | 114-5404 | ROLLER ASSEMBLY - 2.5" LONG (RM 5010 SERIES) | 1 |
| 23 | 114-5415 | REAR ROLLER ASSEMBLY - 3" LONG (RM 5510/5610 2006-07) | 1 |
| 23 | 114-5406 | REAR ROLLER ASSEMBLY - 2.5" SHORT (RM 5210/5410 2008 & UP) | 1 |
| 23 | 114-5417 | REAR ROLLER ASSEMBLY - 3" SHORT (RM 5510/5610 2008 & UP) | 1 |
| 23 | 114-5404 | REAR ROLLER ASSEMBLY - 2.5" LONG (RM 5210/5410 2008 & UP) | 1 |
| 23 | 114-5404 | REAR ROLLER ASSEMBLY - 2.5" LONG (VERTICUTTER 2008 & UP) | 1 |
| 24 | 114-5406 | TUBE - REAR 2.5" SHORT ROLLER (RM 5210/5410 2006-07) | 1 |
| 24 | 107-3299-03 | TUBE - REAR 2.5" LONG ROLLER (RM 5210/5410 2006-07) | 1 |
| 24 | 100-9943-03 | TUBE - REAR 3" LONG ROLLER (RM 5510/5610 2006-07) | 1 |
| 24 | 107-3299-03 | TUBE - REAR 2.5" LONG ROLLER (VERTICUTTER 2006-07) | 1 |
| 24 | 114-5409-03 | ORDER 115-8293-03 | 1 |
| 24 | 114-5406 | TUBE - REAR 2.5" SHORT ROLLER (RM 5210/5410 2008 & UP) | 1 |
| 24 | 114-5418-03 | TUBE - REAR 3" SHORT ROLLER (RM 5510/5610 2008 & UP) | 1 |
| * | 115-8294-03 | TUBE - REAR 2.5" LONG ROLLER (RM 5210/5410 2008 & UP) | |
| 24 | 114-5416-03 | ORDER 115-8292-03 | 1 |
| * | 115-8292-03 | TUBE - REAR 3" LONG ROLLER (RM 5510/5610 2008) | |
| 24 | 115-8294-03 | TUBE - REAR 2.5" LONG ROLLER (VERTICUTTER 2008 & UP) | 1 |
| 25 | 110-9605 | FRONT ROLLER ASSEMBLY - 3" FULL (RM 52/54/55/5610 2006-07) | 1 |
| 25 | 110-9614 | ORDER 114-5419 | 1 |
| 25 | 114-5412 | FRONT ROLLER ASSEMBLY - 3" FULL (RM 52/54/55/5610 2008 UP) | 1 |
| 25 | 114-5419 | FRONT ROLLER ASSEMBLY - 2.5" FULL | |
| 26 | 110-9612-03 | TUBE - FRONT 3" FULL ROLLER (RM 52/54/55/5610 2006-07) | 1 |
| 26 | 110-9615-03 | ORDER 114-5419 | 1 |
| 26 | 114-5419 | TUBE - FRONT 2.5" FULL ROLLER (VERTICUTTER 2006-07) | 1 |
| | 114-5413-03 | ORDER 115-8297-03 | |
| 26 | 115-8297-03 | TUBE - FRONT 3" FULL ROLLER (RM 52/54/55/5610 2008 UP) | 1 |
| 26 | 115-8295-03 | TUBE - FRONT 2.5" FULL ROLLER (VERTICUTTER 2008 & UP) | 1 |
| 27 | 110-9608 | ORDER 114-5421 | 1 |
| 27 | 114-5421 | FRONT ROLLER ASSEMBLY - PLASTIC SHOULDER (2008 & UP) | 1 |
| 28 | 110-9611 | TUBE - FRONT PLASTIC SHOULDER ROLLER (2006-07) | 1 |
| 28 | 114-5422 | TUBE - FRONT PLASTIC SHOULDER ROLLER (2008 & UP) | 1 |
| 29 | 110-4050 | ORDER 114-5400 | 1 |
| 29 | 114-5400 | FRONT ROLLER ASSEMBLY - PLASTIC WIEHLE | 1 |
| 30 | 110-4051 | ORDER 114-5400 | 1 |
| 30 | 114-5401 | TUBE - FRONT PLASTIC WIEHLE ROLLER (2008 & UP) | 1 |
| 31 | 106-9606** | Roller Rebuild MVP Kit (Bearings 109966 - 2006-07) | A/R |
| 32 | 114-5430** | Roller Rebuild MVP Kit (Bearings 112-5290 - 2008 & Up) | A/R |
| 33 | 93-3007 | SEAL - INNER ROLLER | 4 |

REELMASTER

TIER 4 REELMASTER® 5010-H / 5210 / 5410 / 5510 / 5610

MODELS: 03672 / 03687



Cutting Unit & Verticutter Parts - continued

| Ref. No. | Part No. | Description | Qty. |
|----------|-------------------|---|------------|
| 34 | 93-1251 | SEAL - INNER | 2 |
| 35 | 93-1252 | SEAL - OUTER | 2 |
| 3 | 253-70 | SEAL - OUTER | 4 |
| 37 | 93-2931 | WASHER - ROLLER | 2 |
| 38 | 32120-62 | RING - RETAINING | 2 |
| 39 | 302-5 | FITTING - GREASE | 2 |
| 40 | 108-4475-03 | SCRAPER - 2.5" FULL FRONT ROLLER (VERTICUTTER) | 1 |
| 40 | 110-9602-03 | SCRAPER - 3" FRONT FULL ROLLER | 1 |
| 41 | 107-2993-03 | SCRAPER - PLASTIC WIEHLE ROLLER | 1 |
| 42 | 110-9609-03 | SCRAPER - SHOULDER ROLLER | 1 |
| 43 | 110-1735 | COMB SCRAPER KIT | 1 |
| 44 | 107-3280 | SCRAPER KIT - REAR ROLLER | 1 |
| 45 | 108-4190 | REAR ROLLER BRUSH ASSEMBLY | 1 |
| * | 110-4086** | Groomer & Rear Roller Brush Bearing MVP Kit (DPA) | A/R |
| | 133-0150** | RM5010 5" Universal Groomer Kit (Cutting Unit 03763) | 1 |
| | 133-0151** | RM5010 7" Universal Groomer Kit (Cutting Unit 03768) | 1 |
| | 133-0153** | RM5010 5" x 22" RRB Kit for Universal Groomer (Cutting Unit 03658) | 1 |
| | 133-0154** | RM5010 7" x 22" RRB Kit for Universal Groomer (Cutting Unit 03659) | 1 |
| | 133-0157** | RM5010 5" x 22" RRB Kit without Universal Groomer (Cutting Unit 03406) | 1 |
| | 133-0158** | RM5010 7" x 22" RRB Kit without Universal Groomer (Cutting Unit 03408) | 1 |
| 46 | 108-4172 | SEAL - EXCLUDER (REAR ROLLER BRUSH) | 2 |
| 47 | 106-8530 | SEAL - GREASE (REAR ROLLER BRUSH) | 5 |
| 48 | 108-4293 | ROLLER - KICKSTAND (VERTICUTTER) | 2 |
| 49 | 17-1600 | SPACER - .25" | 72 |
| 50 | 17-1580 | Spacer - .5" | A/R |
| 51 | 82-6600 | SPACER - .73" | 2 |
| 52 | 107-3273-01 | BEDBAR | 1 |
| 53 | 2410-30 | CAP - REEL MOTOR | 1 |
| 54 | 61-1950 | WASHER - PLASTIC | 4 |
| 55 | 56-9520 | BUSHING - FLANGED | 2 |
| 56 | 3296-33 | NUT - LOCK | 2 |
| 57 | 322-12 | SCREW - CAP HEX HD | 2 |
| 58 | 107-4028 | SEAL - GREASE | 2 |
| 59 | 67-5840 | NUT - LOCK | 1 |
| 60 | 114-3717 | SEAL - INNER | 1 |
| 61 | 112-7494 | SEAL - OUTER | 2 |
| 62 | 114-5411 | NUT - BEARING LOCK | 1 |
| 63 | 106-8530 | SEAL - BEARING | 5 |
| * | 29-9100 | BRUSH AND HANDLE ASM (RM 5410/5510/5610) | 1 |
| * | 115-0833 | BELT-BRUSH, 7" FOR UNIVERSAL GROOMER (RM 5010-H/5510/5610) | 1 |
| * | 117-0148 | PIN - CYLINDER | 3 |
| * | 117-0208 | SHAFT - PIVOT, LIFT ARM (RM 5010-H/5210/5410/5510/5610) | 3 |
| * | 117-3290 | NUT - HEX (RM 5010-H/5210/5410/5510/5610) | 2 |
| * | 121-5631 | HUB ASM (RM 5010-H/5210/5410/5510/5610) | 2 |
| * | 32144-4 | SCREW - HWH (RM 5010-H/5410/5510/5610) | 1 |
| * | 325-12 | SCREW - HH (RM 5010-H/5210/5410/5510/5610) | 8 |
| * | 327-7 | SCREW - HH (RM 5010-H/5210/5410/5510/5610) | 3 |
| * | 115-0839 | SPRING - IDLER (RM 5010 Series) | 1 |
| * | 130-4105 | BLADE - GROOMER FOR UNIVERSAL GROOMER (RM 5010 Series) | 47 |
| * | 3234-42 | SCREW - HHF (RM 5010 Series) | 1 |

REELMASTER

REELMASTER® 6500D / 6700D

Traction Unit Parts

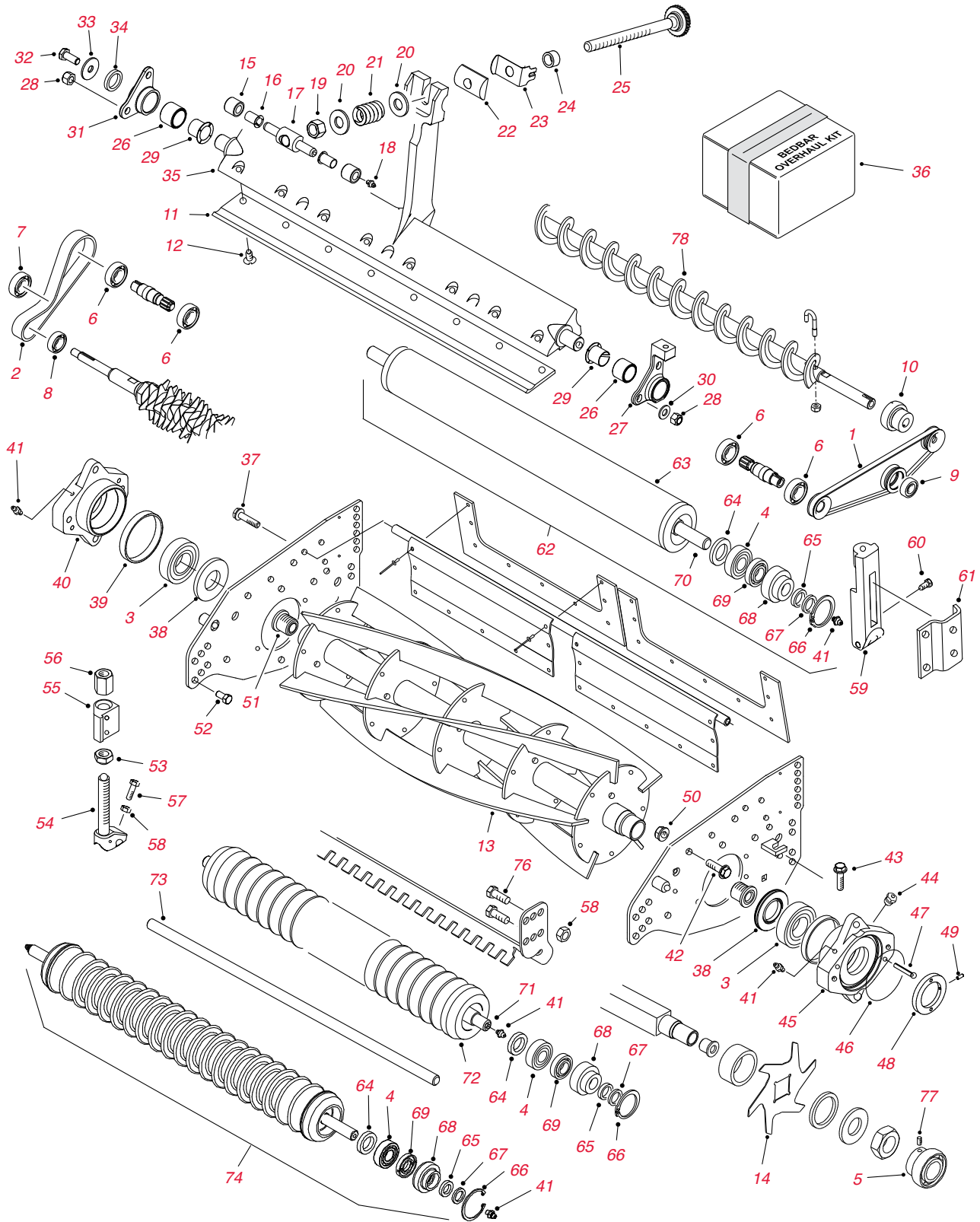
| | Part No. | Description | Qty. |
|---------------------------------|-------------------|---|------------|
| FILTERS | | | |
| | 30014** | 400 Hour Filter MVP Kit (RM 6500D/6700D - 2003-07) | A/R |
| | 30057** | 400 Hour Filter MVP Kit (RM 6500D/6700D - 2008 & Up) | A/R |
| | 74-7970 | ORDER 108-3837 | 1 |
| | 108-3837 | FILTER - ENGINE OIL (RM 6500D/6700D 1995-01) | 1 |
| | 99-8384 | ORDER 108-3841 | 1 |
| | 104-5167 | ORDER 108-3841 | 1 |
| | 108-3841 | FILTER - ENGINE OIL (RM 6500D/6700D 2001 & UP) | 1 |
| | 93-9162 | ORDER 108-3812 | 1 |
| | 108-3812 | ELEMENT - AIR CLEANER OUTER | 1 |
| | 93-9163 | ORDER 108-3813 | 1 |
| | 108-3813 | ELEMENT - AIR CLEANER INNER | 1 |
| | 98-7612 | FILTER - FUEL, PLASTIC | 1 |
| | 108-3828 | FILTER - FUEL, METAL | 1 |
| | 76-5220 | ELEMENT - FUEL FILTER (RM 6500D/6700D 1995-01) | 1 |
| | 99-8358 | ELEMENT - FUEL FILTER (RM 6500D/6700D 2001-02) | 1 |
| | 98-9764 | ELEMENT - WATER/FUEL FILTER (2003-2007) | 1 |
| | 110-9049 | ELEMENT - WATER/FUEL FILTER (2008 & UP) | 1 |
| | 112-9140 | BIO-DIESEL FUEL FILTER KIT | 1 |
| | 112-8400 | BIO-DIESEL FUEL PUMP KIT | 1 |
| | 110-9015 | ELEMENT - SEPARATOR (BIO-DIESEL KIT) | 1 |
| | 112-7836 | IN-LINE FUEL FILTER (BIO-DIESEL KIT) | 1 |
| | 94-2621 | FILTER - HYDRAULIC | 1 |
| | 98-9493 | ELEMENT - BREATHER (RM 6500D/6700D) | 1 |
| BELTS | | | |
| | 94-3256 | MULTI-ROW V-BELT - ALTERNATOR DRIVE - PEUGEOT | 1 |
| | 98-9676 | V-BELT - ALTERNATOR DRIVE - KUBOTA | 1 |
| | 74-8830 | BELT - TIMING (1995-2000 SERIAL 210999999) | 1 |
| TIRES | | | |
| | 94-8143 | ORDER 95-3465 (6500D/6700D) | 2 |
| | 95-3465 | TIRE - FRONT (29 X 14 - 15) 4-PLY (6500D/6700D) | 2 |
| | 100-6700 | ORDER 95-3465 (6500D/6700D) | 2 |
| | 95-3465 | TIRE - FRONT (29 X 14 - 15) 4-PLY ULTRA-TRAC (6500D/6700D) | 2 |
| | 86-5910 | TIRE - REAR (20 X 10 - 10) 6-PLY (6500D/6700D) | 2 |
| SEAT | | | |
| | 131-6691 | SEAT COVER, LARGE | 1 |
| | 137-1312 | MESH SEAT COVER, LARGE | 1 |
| | 104-4620 | SEAT - STD | 1 |
| HOSES | | | |
| | 105-0139** | Cutting Unit Hydraulic Hose MVP Kit (5 Primary Units) | A/R |
| | 105-0140** | Cutting Unit Hydraulic Hose MVP Kit (2 Wing Units) | A/R |
| | 105-7927 | HOSE - HYD (RM 6500/6700) | 2 |
| | 105-9817 | HOSE - HYD | 1 |
| | 92-7534 | HOSE - HYD (RM 6500/6700) | 1 |
| | 92-7536 | HOSE - HYD (RM 6500/6700) | 1 |
| | 92-7539 | HOSE - HYD (RM 6500/6700) | 1 |
| STARTER & ALTERNATOR | | | |
| | 112-1352 | STARTER (1998-2001 - PEUGEOT) | 1 |
| | 98-9705 | STARTER (2001 & UP - KUBOTA) | 1 |
| | 112-1364 | ALTERNATOR (1995-2001 - PEUGEOT) | 1 |
| | 131-6557 | ALTERNATOR (2001 & UP - KUBOTA) | 1 |

Traction Unit Parts - continued

| | Part No. | Description | Qty. |
|--------------|----------|------------------------------------|------|
| <i>OTHER</i> | | | |
| | 115-5305 | CAP - FUEL | 1 |
| | 108-0638 | BOTTLE - OVERFLOW | 1 |
| | 66-8800 | RELAY (RM 6500/6700) | 1 |
| | 74-3650 | FAN (RM 6500/6700) | 1 |
| | 100-3069 | RH BRAKE ASM (RM 6500/6700) | 1 |
| | 100-3070 | LH BRAKE ASM (RM 6500/6700) | 1 |
| | 98-1471 | WHEEL - STEERING (6700) | 1 |
| | 119-6968 | DIPSTICK - OIL | 1 |
| | 100-3795 | JOINT - BALL | 1 |
| | 117-8972 | FAN CLUTCH ASM (6500/6700) | 1 |
| | 108-6715 | GAUGE BAR ASM | 1 |
| | 340-6 | FITTING - STRAIGHT (RM 6500/6700) | 5 |
| | 117-9507 | PEDAL - ACCELERATOR (RM 6500/6700) | 1 |

REELMASTER

REELMASTER® 5500D / 6500D / 6700D

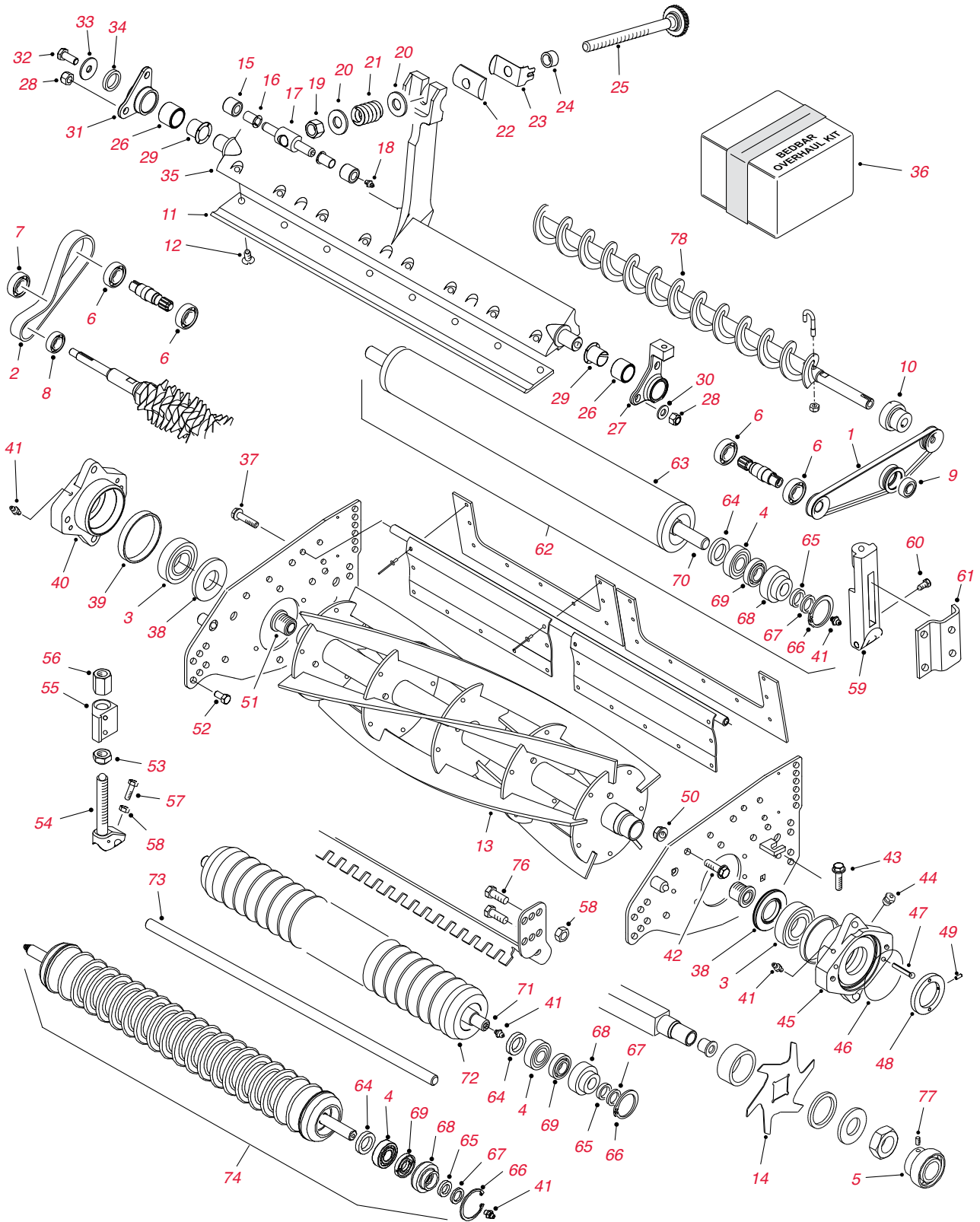


SPA (Single Point Adjust) Cutting Unit Parts

| Ref. No. | Part No. | Description | Qty. |
|----------|-------------------|---|------------|
| 1 | 105-6795 | ORDER 108-6713 | 1 |
| 1 | 108-6713 | BELT - REAR ROLLER BRUSH DRIVE | 1 |
| 2 | 108-0617 | BELT - GROOMER DRIVE | 1 |
| 3 | 93-2489 | BEARING - REEL (1995-01) | 2 |
| 3 | 105-3827 | BEARING - REEL (2002 & UP) | 2 |
| 4 | 109966 | BEARING - ROLLER | 4 |
| 5 | 94-2710 | BEARING - DETHATCHER | 2 |
| 6 | 98-5215 | BEARING - GROOMER & REAR ROLLER BRUSH DRIVE | 2 |
| 7 | 38-7820 | BEARING - GROOMER BELT IDLER | 1 |
| 8 | 95-0707 | BEARING - GROOMER SHAFT | 2 |
| 9 | 251-259 | BEARING - REAR ROLLER BRUSH IDLER | 1 |
| | 104-1842 | ORDER 132-6979 | |
| 10 | 132-6979 | BEARING - REAR ROLLER BRUSH SHAFT | 2 |
| 11 | 93-9774 | BEDKNIFE - LOW-CUT | 1 |
| 11 | 94-8936 | BEDKIFE - LOW-CUT EXTENDED | 1 |
| 11 | 98-3994 | ORDER 104-1810 | 1 |
| 11 | 104-1810 | BEDKNIFE - HIGH-CUT | 1 |
| 11 | 108-9095 | ORDER 137-0833 | 1 |
| * | 137-0833 | BEDKNIFE - 22" FAIRWAY CUT - EDGEMAX | 1 |
| | 57-4910 | ORDER 119-4151 | 8 |
| 12 | 119-4151 | SCREW - SPECIAL | 8 |
| | 94-4337 | ORDER 137-8451 | |
| 13 | 130-0095 | ORDER 137-8451 | 1 |
| * | 137-8451 | REEL+ - 5 BLADE 7" FAIRWAY, SPA | 1 |
| | 94-4338 | ORDER 137-8453 | |
| 13 | 130-4114 | ORDER 137-8453 | 1 |
| * | 137-8453 | REEL+ - 11 BLADE 7" FAIRWAY, SPA | 1 |
| | 95-2770 | ORDER 130-0099 | |
| 13 | 130-0099 | REEL - 7 BLADE | 1 |
| 14 | 93-3038-03 | BLADE - DETHATCHER (STANDARD) | 16 |
| 14 | 106-8625 | BLADE - DETHATCHER (CARBIDE TIPPED) | 16 |
| 15 | 62-5510 | BUSHING | 2 |
| 16 | 52-2890 | BUSHING - PLASTIC | 2 |
| 17 | 57-5260 | ORDER 107-7490 | 1 |
| 17 | 107-7409 | PIN - BEDBAR PIVOT | 1 |
| 18 | 302-18 | FITTING - GREASE | 1 |
| 19 | 3296-62 | NUT - LOCK | 1 |
| 20 | 29-8910 | WASHER | 2 |
| 21 | 93-2915 | ORDER 95-0772 | 1 |
| 21 | 95-0772 | SPRING - COMPRESSION | 1 |
| 22 | 93-2892 | PIVOT - BEADBAR | 1 |
| 23 | 95-8752 | ARM - SPRING | 1 |
| 24 | 93-2959 | SPACER - ADJUSTER | 1 |
| 25 | 95-2762 | ORDER 106-7536 | 1 |
| 25 | 95-8877 | ORDER 106-7536 | 1 |
| 25 | 106-7536 | ADJUSTER - BEDBAR | 1 |
| 26 | 93-7501 | BUSHING ASSEMBLY | 2 |
| 27 | 93-2512 | ORDER 100-3381 | 1 |
| 27 | 100-3381 | HUB - BEDBAR PIVOT LH | 1 |
| 28 | 33024-00 | NUT - HEX LOCK | 4 |
| 29 | 93-7502 | BUSHING - FLANGE | 2 |
| 30 | 3256-74 | WASHER - FLAT | 4 |
| 31 | 93-2513 | ORDER 100-3380 | 1 |
| 31 | 100-3380 | HUB - BEADBAR PIVOT RH | 1 |
| 32 | 33104-020 | SCREW - CAP HEX HD | 1 |
| 33 | 3256-82 | WASHER - FLAT | 1 |
| 34 | 93-7510 | SEAL - QUAD RING | 1 |
| 35 | 95-3458 | ORDER 99-8698-01 | 1 |
| 35 | 99-8698-01 | BEDBAR | 1 |
| 36 | 106-9605** | Bedbar Overhaul MVP Kit (SPA) | A/R |
| 37 | 33104-040 | BOLT - GRASS SHIELD PIVOT | 1 |
| 38 | 93-2483 | ORDER 94-8908 | 2 |
| 38 | 94-8908 | SEAL - GREASE (1995-01) | 2 |

*Not illustrated. **Not sold separately. See pages 20-33 for kit contents. Prices subject to change without notice. Please see your Parts Catalog or Master Parts Viewer to ensure the correct part is ordered, as the part you need may not be listed above. toro.com/parts

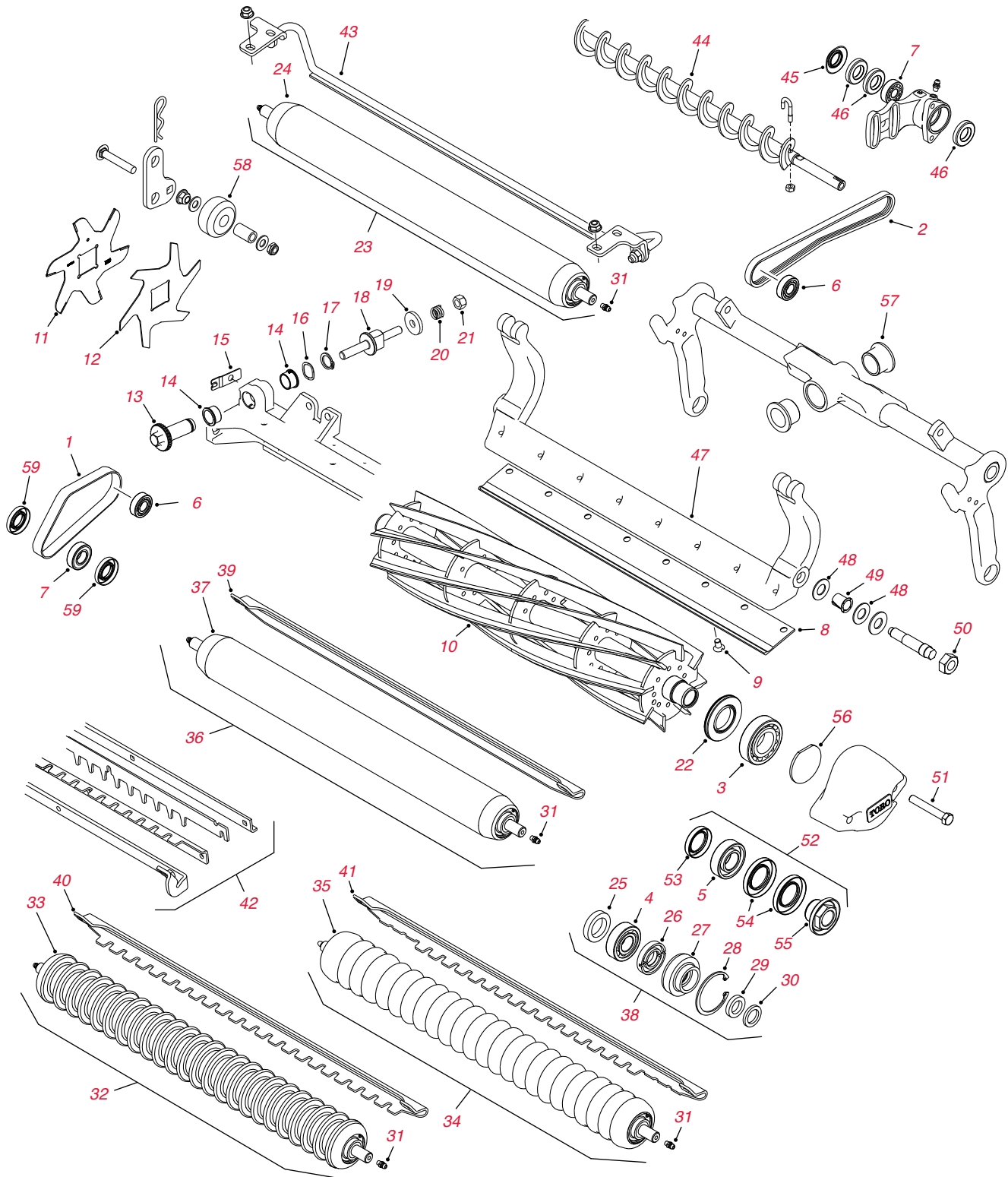
REELMASTER
REELMASTER® 5500D / 6500D / 6700D



SPA (Single Point Adjust) Cutting Unit Parts - continued

| Ref. No. | Part No. | Description | Qty. |
|----------|-------------------|---|------------|
| 38 | 105-6757 | ORDER 107-4028 | 2 |
| 38 | 107-4028 | SEAL - GREASE (2002 & UP) | 2 |
| 39 | 93-2922 | ORDER 93-9793 | 1 |
| 39 | 93-9793 | RING - BEARING | 1 |
| 40 | 93-9794 | HOUSING - RH (INCL #32) | 1 |
| 41 | 302-5 | FITTING - GREASE | 2 |
| 42 | 33105-025 | SCREW - CAP | 8 |
| 43 | 94-3489 | SCREW - ADJUST (1997 & UP) | 1 |
| 44 | 302-34 | FITTING - BREATHER | 2 |
| 45 | 93-9795 | HOUSING - LH (INCL #32) | 1 |
| 46 | 93-9783 | SEAL - O-RING (REEL) | 4 |
| 47 | 32121-69 | PIN - ROLL | 4 |
| 48 | 93-9786 | ORDER 99-5672 | 1 |
| 48 | 95-2793 | NUT - BEARING ADJUST | 1 |
| 48 | 99-5672 | NUT - BEARING ADJUST | 1 |
| 49 | 3245-42 | SCREW - SET | 1 |
| 50 | 33025-00 | NUT - LOCK | 12 |
| 51 | 94-2732 | INSERT - THREADED R.H. | 1 |
| * | 94-2733 | INSERT - THREADED L.H. | 1 |
| 52 | 33115-016 | SCREW - CAP HEX HD | 4 |
| 53 | 95-2789 | NUT - SHORT | 2 |
| 54 | 95-2783 | ORDER 100-7100 | 2 |
| 54 | 100-7100 | ROD - SUPPORT | 2 |
| 54 | 100-2263 | ROD - SUPPORT | 2 |
| 55 | 95-7733-01 | BRACKET - HOC | 2 |
| 55 | 100-2261-01 | BRACKET - HOC (FRONT) | 2 |
| 55 | 100-2262-01 | BRACKET - HOC (REAR) | 2 |
| 56 | 95-2790 | NUT - LONG | 2 |
| 57 | 33114-025 | SCREW - HEX HD | 2 |
| 58 | 32128-20 | NUT - LOCK | 1 |
| 59 | 93-2904-01 | BRACKET - REAR ROLLER | 2 |
| | 93-9757 | ORDER 33114-016 | 4 |
| 60 | 33114-016 | SCREW | 4 |
| 61 | 61-0910 | BRACKET - REAR ROLLER | 2 |
| | 99-5720 | ORDER 114-5415 | 1 |
| 62 | 114-5415 | 3" REAR FULL ROLLER ASSEMBLY (LONG) | 1 |
| 62 | 99-5749 | 3" FULL ROLLER ASM | 1 |
| * | 106-9606** | Roller Rebuild MVP Kit | A/R |
| 63 | 98-7966 | REAR ROLLER ASSEMBLY (2.5" X 20.5") (EARLY 03853/54/56) | 1 |
| 63 | 94-4335 | ROLLER TUBE ASSEMBLY (LATER MODELS 03853/54/56) | 1 |
| 64 | 93-3007 | SEAL - INNER ROLLER | 4 |
| 65 | 253-70 | SEAL - OUTER | 4 |
| 66 | 32120-62 | RING - RETAINING | 2 |
| 67 | 93-2931 | WASHER - ROLLER | 2 |
| 68 | 93-1252 | SEAL - OUTER | 2 |
| 69 | 93-1251 | SEAL - INNER | 2 |
| 70 | 93-1256 | SHAFT - REAR ROLLER (FOR 98-7966) (EARLY 03853/54/56) | 1 |
| 70 | 94-4328 | SHAFT - REAR ROLLER (FOR 94-4335) (LATER 03853/54/56) | 1 |
| 71 | 94-4329 | SHAFT - GROOVED ROLLER | 1 |
| 72 | 94-4330 | ORDER 99-8686 | 1 |
| 72 | 99-8686 | WIEHLE ROLLER ASSEMBLY | 1 |
| 72 | 100-9905-03 | WIEHLE ROLLER TUBE ASSEMBLY | 1 |
| 72 | 100-9906 | WIEHLE ROLLER ASSEMBLY | 1 |
| 73 | 93-2887 | SHAFT - FRONT FULL ROLLER | 1 |
| 74 | 99-8675 | SHOULDER WHEILE ROLLER ASSEMBLY | 1 |
| 76 | 33105-030 | SCREW - HEX HD | 4 |
| 77 | 3245-1 | SCREW - SET | 1 |
| 78 | 104-1829 | ORDER 105-6792 | 1 |
| 78 | 105-6792 | REPLACEMENT REAR ROLLER BRUSH | 1 |
| * | 106-9627** | Rear Roller Brush Rebuild MVP Kit (SPA) | A/R |

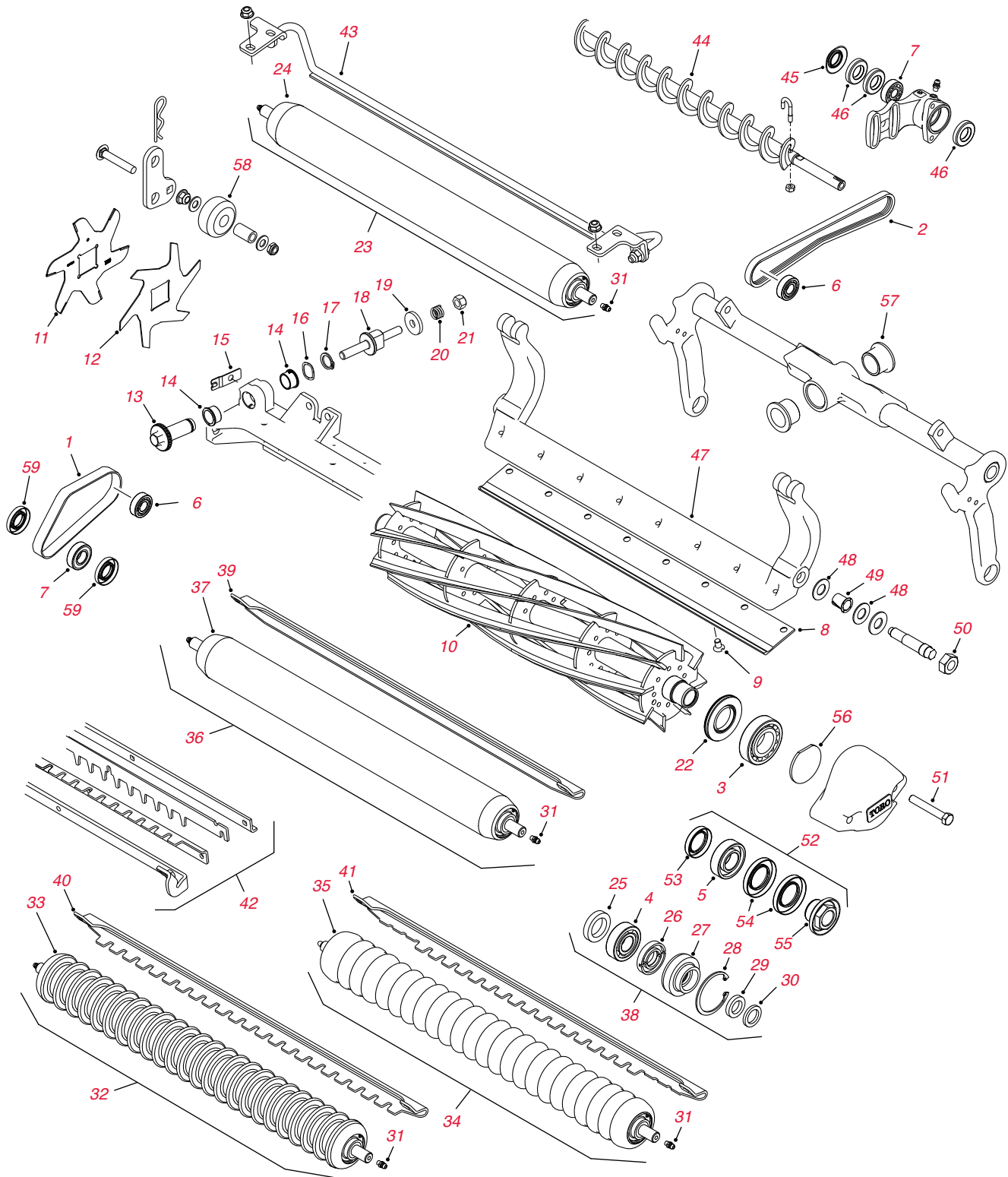
REELMASTER
REELMASTER® 6500D / 6700D



DPA (Dual Point Adjust) Cutting Unit & Verticutter Parts

| Ref. No. | Part No. | Description | Qty. |
|----------|-------------|--|------|
| 1 | 110-1716 | BELT - GROOMER DRIVE | 1 |
| 2 | 110-1747 | BELT - REAR ROLLER BRUSH DRIVE | 1 |
| 3 | 93-2489 | BEARING - REEL | 2 |
| 4 | 109966 | BEARING - ROLLER | 4 |
| 5 | 112-5290 | BEARING - STAINLESS STEEL | 1 |
| 6 | 93-2559 | BEARING - REEL (GROOMER/ROLLER BRUSH DRIVE) | 1 |
| 7 | 95-0707 | BEARING - BALL (REAR ROLLER BRUSH/GROOMER DRIVE) | 2 |
| | 117-0978 | ORDER - 120-1640 | |
| 8 | 120-1640 | BEDKNIFE - FAIRWAY-CUT EXTENDED | 1 |
| 8 | 108-9095 | ORDER 137-0833 | 1 |
| * | 137-0833 | BEDKNIFE - 22" FAIRWAY CUT - EDGEMAX | 1 |
| 8 | 108-9096 | BEDKNIFE - FAIRWAY-CUT | 1 |
| 8 | 110-4074 | BEDKNIFE - FAIRWAY-CUT - HEAVY DUTY | 1 |
| 8 | 110-4084 | BEDKNIFE - LOW-CUT | 1 |
| * | 119-4280 | BEDKNIFE - EDGEMAX EXTENDED LOW HOC | 1 |
| | 57-4910 | ORDER 119-4151 | 8 |
| 9 | 119-4151 | SCREW - BEDKNIFE | 8 |
| | 108-9072 | ORDER 127-2077 | |
| 10 | 127-2077 | REEL - 5 BLADE Service Only (7" DIA - CUTTING UNITS 03681/03863/03696/03698/03864/03682/03697/03699) | 1 |
| | 107-3264 | ORDER 127-2084 | |
| 10 | 127-2084 | ORDER 137-8432 | 1 |
| * | 137-8432 | REEL+ - 8 BLADE 7" FAIRWAY | 1 |
| | 108-9073 | ORDER 127-2084 | |
| | 108-9074 | ORDER 127-2085 | |
| 10 | 127-2085 | ORDER 137-8433 | 1 |
| * | 137-8433 | REEL+ - 11 BLADE 7" FAIRWAY | 1 |
| | 117-0980 | ORDER 127-2085 | |
| 10 | 133-8211 | EDGESERIES REEL - 8 BLADE RR (7" DIA - CUTTING UNIT 03681/03863/03696/03698) | 1 |
| 10 | 127-0294 | ORDER 137-8439 | 1 |
| * | 137-8439 | EDGESERIES REELS+ - 11 BLADE 7" FAIRWAY FSR | 1 |
| 11 | 93-3038-03 | BLADE | 16 |
| 12 | 106-8625 | BLADE - CARBIDE TIP | 16 |
| 13 | 106-5363 | ADJUSTER | 2 |
| 14 | 106-5344 | BUSHING - KEYED FLANGE | 4 |
| 15 | 99-2097 | DETENT | 2 |
| 17 | 32120-93 | RING - RETAINING | 2 |
| 18 | 99-2096 | SCREW - ADJUSTER | 2 |
| 19 | 99-2098 | WASHER | 2 |
| 20 | 99-375 | ORDER 119-4156 | 2 |
| 20 | 119-4156 | SPRING - COMPRESSION | 2 |
| 21 | 33025-00 | NUT - LOCK | 2 |
| 22 | 107-4028 | SEAL - GREASE | 2 |
| 23 | 114-5415 | REAR ROLLER ASSEMBLY - 3" LONG (2007 & UP) | 1 |
| 23 | 107-4040 | ORDER 114-5404 | 1 |
| * | 114-5404 | LONG REAR ROLLER ASM 22" (2.5" DIA) | 1 |
| 23 | 114-5417 | REAR ROLLER ASSEMBLY - 3" SHORT (2008 & UP) | 1 |
| 23 | 114-5415 | REAR ROLLER ASSEMBLY - 3" LONG (2008 & UP) | 1 |
| * | 104-1834 | IDLER BEARING - REAR ROLLER ASSEMBLY | 1 |
| 24 | 100-9943-03 | TUBE - REAR 3" LONG ROLLER (2007) | 1 |
| 24 | 107-3299-03 | TUBE - REAR 2.5" LONG ROLLER (VERTICUT) | 1 |
| 24 | 114-5418-03 | TUBE - REAR 3" SHORT ROLLER (2008 & UP) | 1 |
| 24 | 115-8292-03 | TUBE - REAR 3" LONG ROLLER (2008 & UP) | 1 |
| 25 | 93-3007 | SEAL - INNER ROLLER | 4 |
| 26 | 93-1251 | SEAL - INNER | 2 |
| 27 | 93-1252 | SEAL - OUTER | 2 |
| 28 | 253-70 | SEAL - OUTER | 4 |
| 29 | 93-2931 | WASHER - ROLLER | 2 |
| 30 | 32120-62 | RING - RETAINING | 2 |
| 31 | 302-5 | FITTING - GREASE | 2 |

REELMASTER
REELMASTER® 6500D / 6700D



DPA (Dual Point Adjust) Cutting Unit & Verticutter Parts - continued

| Ref. No. | Part No. | Description | Qty. |
|----------|-------------------|---|------------|
| 32 | 110-4050 | ORDER 114-5400 | 1 |
| 32 | 114-5400 | FRONT ROLLER ASSEMBLY - PLASTIC WIEHLE | 1 |
| 33 | 110-4051 | ORDER 114-5400 | 1 |
| 33 | 114-5401 | TUBE - FRONT PLASTIC WIEHLE ROLLER (2008 & UP) | 1 |
| 34 | 110-9608 | ORDER 114-5421 | 1 |
| 34 | 114-5421 | FRONT ROLLER ASSEMBLY - PLASTIC SHOULDER (2008 & UP) | 1 |
| 35 | 110-9611 | TUBE - FRONT PLASTIC SHOULDER ROLLER (2007) | 1 |
| 35 | 114-5422 | TUBE - FRONT PLASTIC SHOULDER ROLLER (2008 & UP) | 1 |
| 36 | 110-9605 | FRONT ROLLER ASSEMBLY - 3" FULL (2007) | 1 |
| 36 | 110-9614 | ORDER 114-5419 | 1 |
| 36 | 114-5412 | FRONT ROLLER ASSEMBLY - 3" FULL (2008 UP) | 1 |
| 37 | 110-9612-03 | TUBE - FRONT 3" FULL ROLLER (2007) | 1 |
| 37 | 110-9615-03 | ORDER 114-5419 | 1 |
| 37 | 114-5419 | TUBE - FRONT 2.5" FULL ROLLER (VERTICUT) | 1 |
| | 114-5413-03 | ORDER 115-8297-03 | |
| 37 | 115-8297-03 | TUBE - FRONT 3" FULL ROLLER (2008 UP) | 1 |
| 38 | 106-9606** | Roller Rebuild MVP Kit (Bearings 109966 - 2007) | A/R |
| 39 | 108-4475-03 | SCRAPER - 2.5" FULL FRONT ROLLER (VERTICUT) | 1 |
| 39 | 110-9602-03 | SCRAPER - 3" FRONT FULL ROLLER | 1 |
| 40 | 107-2993-03 | SCRAPER - PLASTIC WIEHLE ROLLER | 1 |
| 41 | 110-9609-03 | SCRAPER - SHOULDER ROLLER | 1 |
| 42 | 110-1735 | COMB SCRAPER KIT | 1 |
| 43 | 107-3280 | SCRAPER KIT - REAR ROLLER | 1 |
| 44 | 108-4190 | REAR ROLLER BRUSH ASSEMBLY (2007) | 1 |
| * | 110-4086** | Groomer & Rear Roller Brush Bearing MVP Kit (DPA) | A/R |
| 45 | 108-4172 | SEAL - EXCLUDER (REAR ROLLER BRUSH) | 2 |
| 46 | 106-8530 | SEAL - GREASE (REAR ROLLER BRUSH) | 5 |
| 47 | 107-3273-01 | BEDBAR | 1 |
| 48 | 61-1950 | WASHER - PLASTIC | 4 |
| 49 | 56-9520 | BUSHING - FLANGED | 2 |
| 50 | 3296-33 | NUT - LOCK | 2 |
| 51 | 323-12 | SCREW - CAP HEX HD | 2 |
| 52 | 114-5430** | Roller Rebuild MVP Kit (Bearings 112-5290 - 2008 & Up) | A/R |
| 53 | 114-3717 | SEAL - INNER | 1 |
| 54 | 112-7494 | SEAL - OUTER | 2 |
| 55 | 114-5411 | NUT - BEARING LOCK | 1 |
| 56 | 94-2703 | CAP - REEL MOTOR | 1 |
| 57 | 94-1291 | BUSHING - FLANGE | 2 |
| 58 | 108-4293 | ROLLER - KICKSTAND (VERTICUTTER) | 2 |
| 59 | 106-8530 | SEAL - BEARING | 5 |
| * | 29-9100 | BRUSH AND HANDLE ASM | 1 |
| * | 100-3795 | JOINT - BALL | 1 |
| * | 107-0245 | SEAL KIT | 1 |
| * | 115-0833 | BELT - BRUSH, 7" FOR UNIVERSAL GROOMER | 1 |
| * | 2411-36 | BEARING - END, ROD | 2 |
| * | 32121-110 | PIN - ROLL, SLOTTED | 1 |
| * | 110-7352 | SCREW - HOC | 1 |
| * | 32144-1 | SCREW - TAPTITE | 12 |
| * | 3296-51 | NUT - LOCK, NI | 4 |
| * | 353-781 | FITTING - ELBOW | 2 |
| * | 95-7158 | PIN - PIVOT | 2 |

REELMASTER

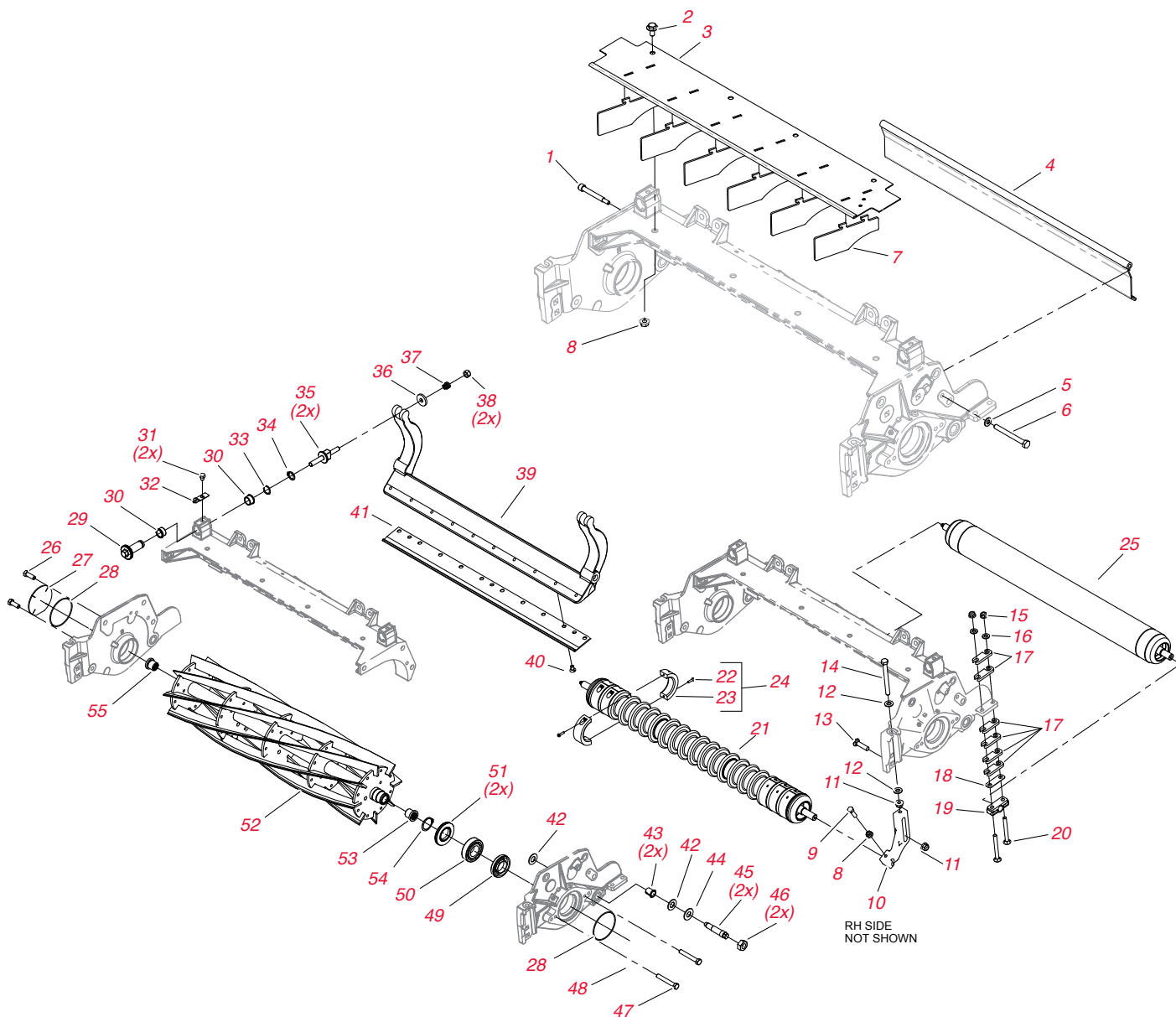
REELMASTER® 7000D

Traction Unit Parts

| | Part No. | Description | Qty. |
|---------------------------------|----------------|---|------------|
| FILTERS | | | |
| | 30056** | 400 Hour Filter MVP Kit Reelmaster 7000D | A/R |
| | 108-3814 | AIR FILTER - OUTER | 1 |
| | 108-3816 | AIR FILTER - INNER | 1 |
| | 75-1310 | HYDRAULIC OIL FILTER - AT PUMP | 1 |
| | 94-2621 | HYDRAULIC OIL FILTER - AT MANIFOLD | 1 |
| | 104-5169 | ENGINE OIL FILTER | 1 |
| | 93-2242 | FILTER - OIL | 1 |
| BELTS | | | |
| | 120-5824 | BELT - FAN | 1 |
| TIRES | | | |
| | 63-4480 | TIRE (31 X 13.5 - 15) 4-PLY | 1 |
| | 117-5125 | TIRE (20 X 12 - 10) 4-PLY TURF TRAC (2010 & UP) | 1 |
| SEAT | | | |
| | 131-6691 | SEAT COVER, LARGE | 1 |
| | 137-1312 | MESH SEAT COVER, LARGE | 1 |
| STARTER & ALTERNATOR | | | |
| | 120-5819 | ALTERNATOR | 1 |
| | 115-8603 | STARTER | 1 |
| | 106-5269 | IGNITION SWITCH ASM | 1 |
| HYDRAULIC MOTOR | | | |
| | 115-8250 | GEAR MOTOR ASM | 1 |
| | 104-5464 | HOSE - HYD | 2 |
| | 104-5483 | HOSE - HYD | 2 |
| | 105-9238 | HOSE - HYD | 4 |
| | 105-9817 | HOSE - HYD | 1 |
| | 92-7534 | HOSE - HYD | 1 |
| | 92-7536 | HOSE - HYD | 1 |
| | 92-7539 | HOSE - HYD | 1 |
| | 105-1219 | HYD MOTOR ASM | 1 |
| OTHER | | | |
| | 114-3831 | HOSE - RADIATOR, UPPER | 1 |
| | 114-3832 | HOSE - RADIATOR, LOWER | 1 |
| | 100-9333 | GASKET - MUFFLER | 1 |
| | 104-3563 | INDICATOR | 1 |
| | 105-1218 | PISTON MOTOR ASM | 2 |
| | 114-3825 | FAN | 1 |
| | 114-3848 | COUPLER - SPRING, FLYWHEEL | 1 |
| | 114-8119 | STEERING VALVE ASM | 1 |
| | 119-3871 | RADIATOR | 1 |
| | 353-781 | FITTING - ELBOW | 2 |
| | 53-9682 | MOUNT - ENGINE | 4 |
| | 100-4890 | FITTING - CHECK | 1 |
| | 119-6968 | DIPSTICK - OIL | 1 |
| | 100-3795 | JOINT - BALL | 1 |
| | 112-8935 | FRAME - CENTER (2007-2016) | 1 |
| | 112-8978 | FRAME - CENTER | 1 |
| | 117-2364 | HUB - FAN | 1 |
| | 117-2376 | CABLE - BATTERY, POSITIVE (2001-2014) | 1 |
| | 108-6715 | GAUGE BAR ASM | 1 |
| | 112-9919 | STOP - CABLE, THROTTLE | 1 |
| | 117-9507 | PEDAL - ACCELERATOR | 1 |

REELMASTER

REELMASTER® 7000D



Cutting Unit Parts

| Ref. No. | Part No. | Description | Qty. |
|----------|-------------|------------------------|------|
| 1 | 107-7773 | SCREW-HSH | 1 |
| 2 | 3234-7 | SCREW-HHF | 4 |
| 3 | 112-8942 | FRONT GRASS SHIELD ASM | 1 |
| 4 | 112-8944-01 | REAR GRASS SHIELD ASM | 1 |
| 5 | 3256-74 | WASHER-FLAT | 1 |
| 6 | 322-14 | SCREW-HH | 1 |
| 7 | 110-1706 | DEFLECTOR | 6 |
| 8 | 32128-20 | NUT-HF | 2 |
| 9 | 322-16 | SCREW-HH | 2 |
| 10 | 120-0404 | BRACKET-HIGH HOC (LH) | 1 |
| 10 | 120-0405 | BRACKET-HIGH HOC (RH) | 1 |
| 11 | 104-8301 | NUT-FLANGE, NI | 4 |
| 12 | 48-9220 | WASHER | 4 |
| 13 | 3231-4 | SCREW-CARR | 2 |
| 14 | 107-4026 | SCREW-HH | 2 |

Cutting Unit Parts - continued

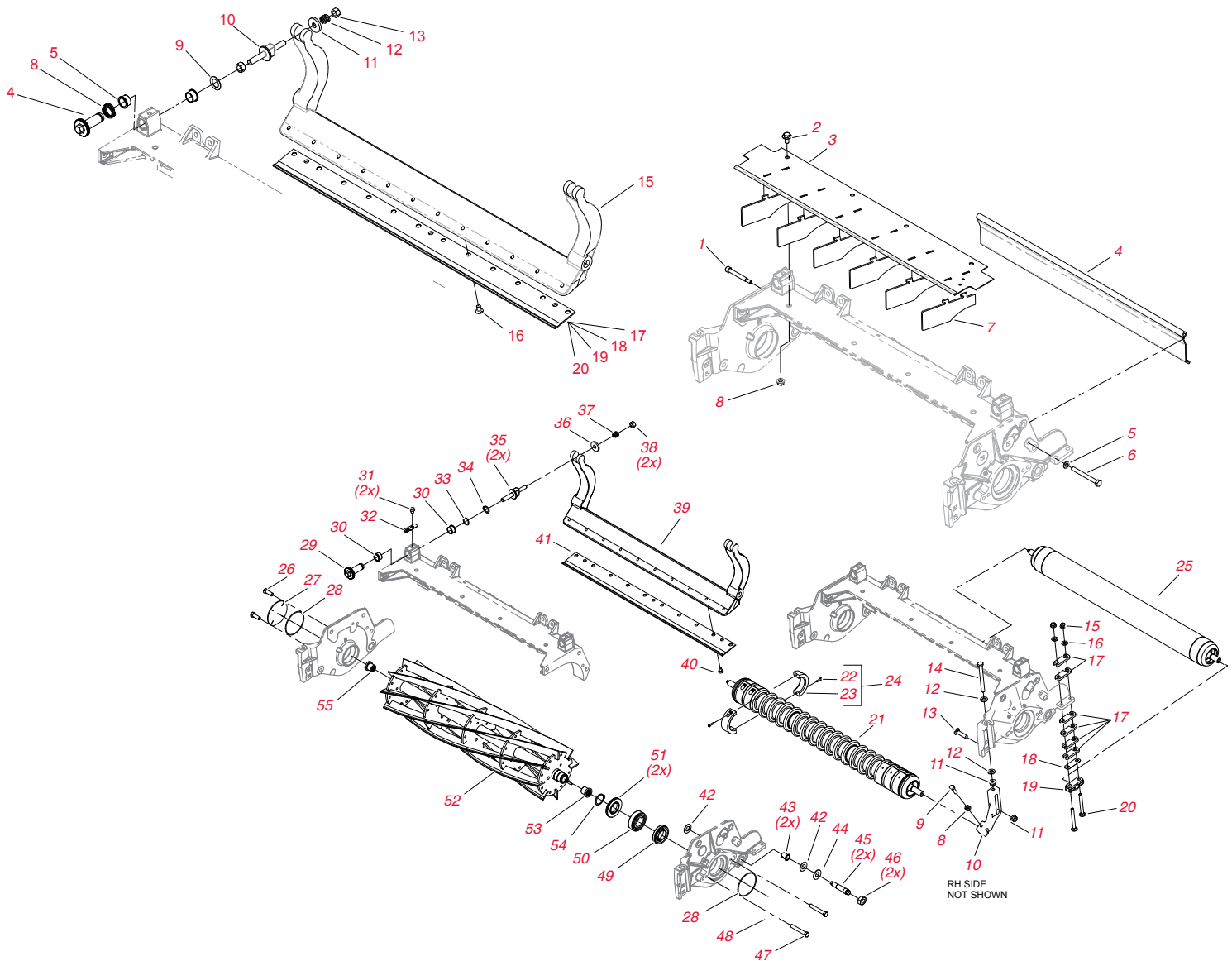
| Ref. No. | Part No. | Description | Qty. |
|----------|-------------|--|------|
| 15 | 104-8300 | NUT-FLANGE, NI | 4 |
| 16 | 94-6936 | WASHER-HARDENED | 4 |
| 17 | 119-0626 | SHIM-ROLLER | 12 |
| 18 | 107-4001 | SHIM-ROLLER (0.01) | 2 |
| 19 | 106-3924 | BRACKER-ROLLER, REAR | 2 |
| 20 | 3230-26 | SCREW- CARR | 4 |
| 21 | 119-0630 | PLASTIC SHOULDER ROLLER ASM | 1 |
| 21 | 117-0960 | PLASTIC WIEHLE ROLLER ASM | 1 |
| 21 | 114-9383 | FULL FRONT ROLLER ASM | 1 |
| 22 | 119-1604 | COLLAR-TRIM/HD | 2 |
| 23 | 104-1835 | SCREW | 2 |
| 24 | 119-0649 | TRIM/HD COLLAR KIT | 4 |
| 25 | 112-8915 | REAR ROLLER ASM (3" DIA) | 1 |
| 25 | 119-4286 | REAR ROLLER ASM (SHORT) | 1 |
| 26 | 323-6 | SCREW-HH | 2 |
| 27 | 94-2703 | PLUG | 1 |
| 28 | 112-6967 | O-RING | 2 |
| 29 | 106-5363 | SHAFT-ADJUSTER | 2 |
| 30 | 106-5344 | BUSHING-FLANGED, KEYED | 4 |
| 31 | 114-9396 | CAPSCREW-HH | 2 |
| 32 | 99-2097 | DETENT | 2 |
| 33 | 106-5335 | ORDER 119-4164 | 2 |
| 33 | 119-4164 | WASHER - WAIVE | 2 |
| 34 | 32120-93 | RING-RETAINING | 2 |
| 35 | 99-2096 | SCREW-ADJUSTER, BEDBAR | 2 |
| 36 | 99-2098 | WASHER | 2 |
| 37 | 99-3755 | ORDER 119-4156 | 2 |
| 37 | 119-4156 | SPRING-COMPRESSION | 2 |
| 38 | 33025-00 | NUT-LOCK, NI | 2 |
| 39 | 112-8908-01 | BEDBAR | 1 |
| * | 112-8954-01 | BEDBAR | 1 |
| | 57-4910 | ORDER 119-4151 | 10 |
| 40 | 119-4151 | SCREW-SPECIAL | 10 |
| 41 | 114-9388 | 27" FAIRWAY CUT | 1 |
| 41 | 112-8910 | 27" EDGEMAX FAIRWAY CUT (EXTENDED) | 1 |
| 41 | 114-9390 | 27" FAIRWAY CUT HEAVY DUTY | 1 |
| 41 | 120-1641 | BEDKNIFE-LOW HOC EXT | 1 |
| 42 | 61-1950 | WASHER-PLASTIC | 4 |
| 43 | 56-9520 | BUSHING-FLANGED | 2 |
| 44 | 69-8980 | WASHER | 2 |
| 45 | 106-9623 | BOLT-BEDBAR | 2 |
| 46 | 3296-33 | NUT-LOCK, NI | 2 |
| 47 | 323-12 | SCREW-HH | 2 |
| 48 | 119-0614-01 | WEIGHT-END | 1 |
| 49 | 107-2954 | NUT-ADJUSTER, BEARING | 1 |
| 50 | 93-2489 | BEARING | 2 |
| 51 | 107-4028 | SEAL-GREASE | 2 |
| | 115-8275 | ORDER 127-2094 | |
| 52 | 127-2094 | REEL - 8 BLADE RR (7" DIA - CUTTING UNITS 03710/03181) | 1 |
| | 115-8282 | ORDER 127-2104 | |
| 52 | 127-2104 | REEL - 5 BLADE SERVICE ONLY (7" DIA - CUTTING UNITS 03182/03712) | 1 |
| | 115-8286 | ORDER 127-2105 | |
| 52 | 127-2105 | REEL - 8 BLADE RR (7" DIA - CUTTING UNITS 03182/03712) | 1 |
| | 133-8271 | EDGESERIES REEL - 11 BLADE (7" DIA - CUTTING UNTIS 03183/03711) | 1 |
| | 133-8273 | 8 BLADE (7" DIA - CUTTING UNITS 03182/03712) | 1 |
| | 115-8278 | ORDER 127-2095 | |
| 52 | 127-2095 | REEL - 11 BLADE RR (7" DIA - CUTTING UNITS 03183/03711) | 1 |
| 53 | 107-3276 | INSERT-THREADED, LH | 1 |
| 54 | 92-2601 | RING-RETAINING | 2 |

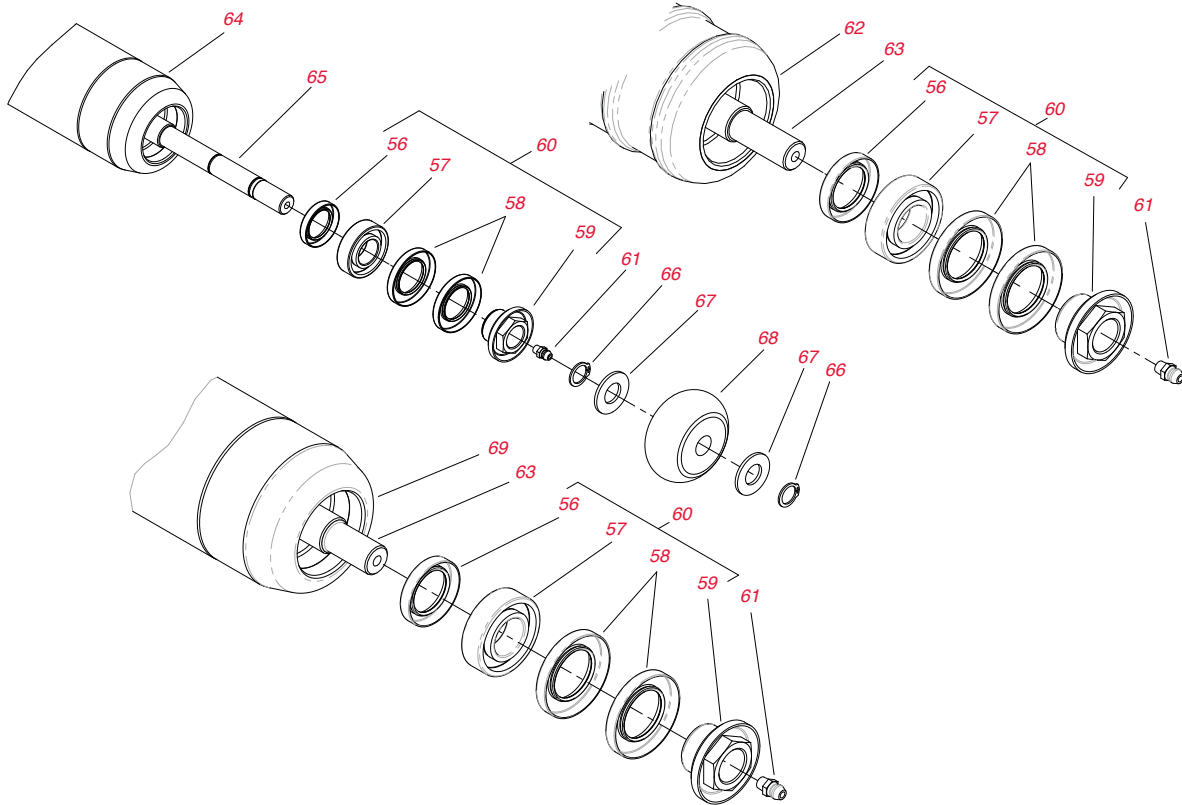
REELMASTER

REELMASTER® 7000D

Cutting Unit Parts - continued

| Ref. No. | Part No. | Description | Qty. |
|----------|-------------|-------------------------------|------|
| 55 | 107-3275 | INSERT-THREADED, RH | 1 |
| 56 | 114-3717 | SEAL-OIL | 2 |
| 57 | 112-5290 | BEARING - STAINLESS STEEL | 2 |
| 58 | 112-7494 | SEAL | 4 |
| 59 | 114-5411 | NUT-LOCK, BEARING | 2 |
| 60 | 114-5430 | ROLLER REBUILD KIT | 1 |
| 61 | 302-5 | FITTING-GREASE | 2 |
| 62 | 119-0641 | ROLLER-SHOULDER, PLASTIC | 1 |
| 63 | 117-0957 | SHAFT-ROLLER, WIEHLE | 1 |
| 63 | 117-0987 | SHAFT-ROLLER, FRONT | 1 |
| 63 | 112-8918 | SHAFT-LONG, REAR ROLLER | 1 |
| 63 | 117-0957 | SHAFT-ROLLER, WEIHLE | 1 |
| 64 | 115-8292-03 | 3" DIA ROLLER TUBE ASM (LONG) | 1 |
| 65 | 119-4289 | SHAFT-REAR ROLLER 32" (SHORT) | 1 |





Cutting Unit Parts - continued

| Ref. No. | Part No. | Description | Qty. |
|----------|-------------------|--|------------|
| 66 | 32151-62 | RING-RETAINING | 4 |
| 67 | 119-1868 | WASHER | 4 |
| 68 | 119-4276 | ROLLER-TIPPER | 2 |
| 69 | 117-0959 | ROLLER-WIEHLE, PLASTIC 27" | 1 |
| 69 | 117-0989 | ROLLER-WIEHLE, PLASTIC 32" | 1 |
| 69 | 112-8962-03 | TUBE-LONG 32" | 1 |
| 69 | 112-8916-03 | LONG ROLLER TUBE ASM 27" | 1 |
| --- | 110-9600** | DPA High HOC Kit | A/R |
| * | 29-9100 | BRUSH AND HANDLE ASM | 1 |
| * | 112-8961 | REAR ROLLER ASM (2010 & UP) | 1 |
| * | 114-9384 | FULL FRONT ROLLER ASM | 1 |
| * | 115-0813 | BRUSH - ROLLER | 1 |
| * | 115-0828 | BELT - BRUSH, 7" FOR UNIVERSAL GROOMER | 1 |
| * | 115-0838 | BRUSH - ROLLER, HIGH HOC | 1 |
| * | 115-0839 | SPRING - IDLER | 1 |
| * | 117-0990 | PLASTIC WIEHLE ROLLER ASM | 1 |
| * | 125-1906 | PIN - CYLINDER | 3 |
| * | 130-1673 | CABLE - THROTTLE | 1 |
| * | 130-4105 | BLADE - GROOMER | 47 |
| * | 32121-110 | PIN - ROLL, SLOTTED | 3 |
| * | 3234-42 | SCREW - HHF | 2 |
| * | 3296-45 | NUT - LOCK, NI | 2 |
| * | 119-0640 | PLASTIC SHOULDER ROLLER ASM | 1 |
| * | 117-3759 | FULL FRONT ROLLER ASM | 1 |
| * | 117-3756 | FULL REAR ROLLER ASM | 1 |
| * | 119-0625 | SHAFT ASM | 1 |
| * | 115-0811 | 27" ROLLER BRUSH ASM | 1 |
| * | 119-0631 | ROLLER - SHOULDER, PLASTIC | 1 |

REELMASTER

REELMASTER® 3550D / 3555 / 3575

Traction Unit Parts

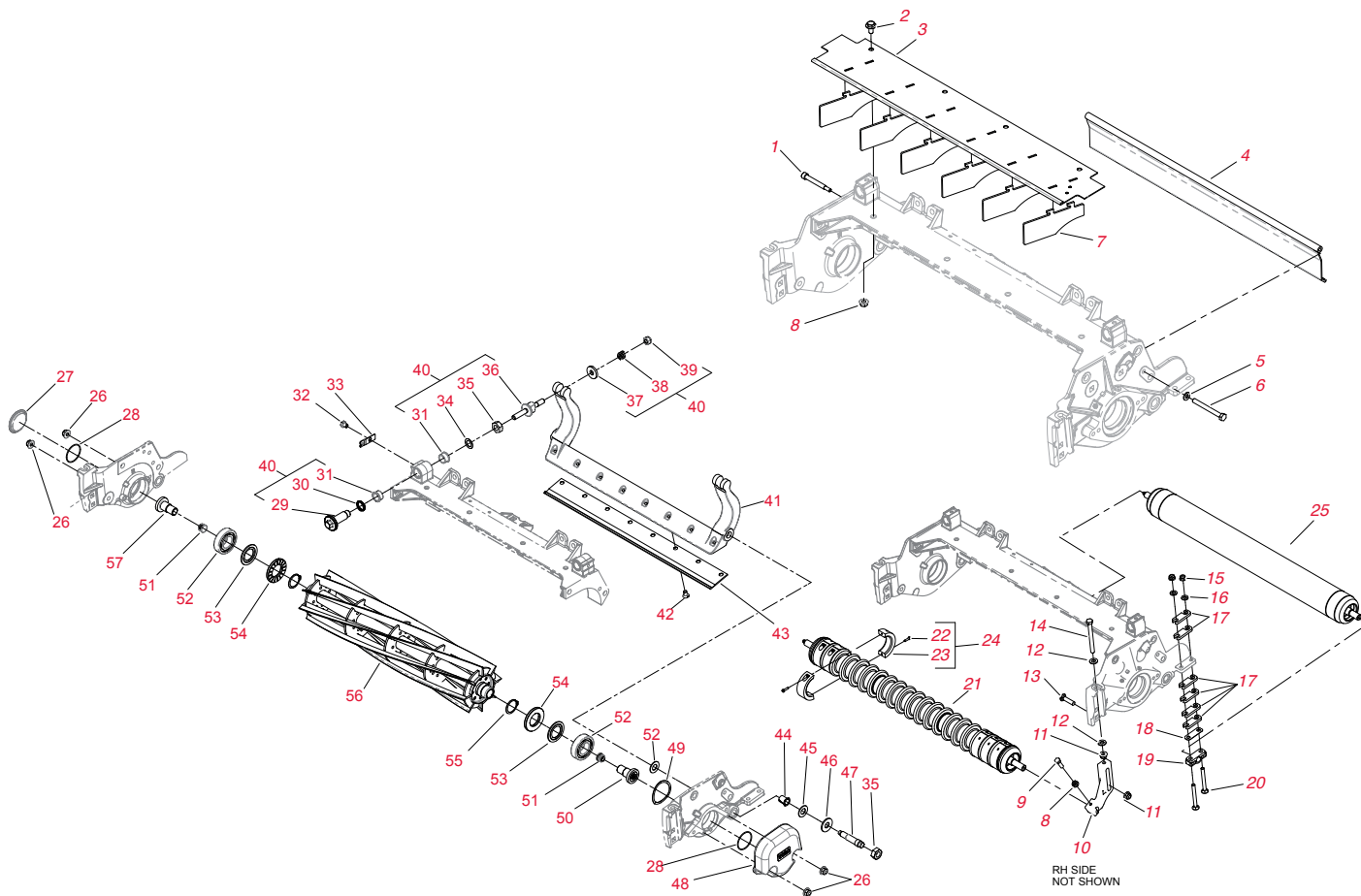
| | Part No. | Description | Qty. |
|---------------------------------|----------------|---|------------|
| FILTERS | | | |
| | 30090** | 400 Hour MVP Filter Kit | A/R |
| | 108-3811 | FILTER (AIR) | 1 |
| | 108-3841 | FILTER (ENGINE OIL) | 1 |
| | 110-9049 | FILTER (FUEL) | 1 |
| | 98-7612 | FILTER (FUEL) | 1 |
| | 86-3010 | FILTER (HYDRAULIC) | 1 |
| | 92-5821 | HEAD-FILTER | 1 |
| BELTS | | | |
| | 104-3494 | V-BELT ALTERNATOR AND PULLEY SYSTEM | 1 |
| | 99-3619 | 3V-BELT PISTON PUMP AND GEAR ASM | 1 |
| BEARINGS | | See Quick Reference Guide for detailed information on bearing replacements for this model. Page 30-38 | |
| | 256-243 | BEARING-FLANGE, TRACTION CONTROL ASM | 1 |
| | 75-5470 | SPACER-BEARING, TRACTION CONTROL ASM | 1 |
| | 251-259 | BALL BEARING, TRACTION CONTROL ASM & NEUTRAL ARM ASM | 1 |
| | 76-0850 | BEARING-THRUST, HYDRAULIC MOTOR ASM | 1 |
| | 100-4817 | SPACER-BEARING, NEUTRAL ARM ASM | 1 |
| | 104-4046 | BEARING-CUP, HYDRAULIC PUMP ASM | 1 |
| | 98-4639 | BEARING-CONE, HYDRAULIC PUMP ASM | 1 |
| | 94-6368 | BEARING, HYDRAULIC PUMP ASM | 1 |
| | 94-6363 | BEARING, HYDRAULIC PUMP ASM | 1 |
| | 252-66 | BEARING-THRUST, HYDRAULIC PUMP ASM | 1 |
| TIRES | | | |
| | 120-2114 | TIRE (24 X 12 - 12) SMOOTH | 2 |
| | 121-7924 | TIRE (24 X 12 - 12) TURF TREAD | 2 |
| SEAT | | | |
| | 131-6691 | SEAT COVER, LARGE | 1 |
| | 137-1312 | MESH SEAT COVER, LARGE | 1 |
| STARTER & ALTERNATOR | | | |
| | 98-9705 | STARTER | 1 |
| | 131-6557 | ALTERNATOR | 1 |

Traction Unit Parts

| Part No. | Description | Qty. |
|--------------|---|------|
| <i>OTHER</i> | | |
| 70-9870 | PLATE - BACKING | 1 |
| 100-4815 | CABLE - CONTROL, TRACTION | 1 |
| 99-3623-03 | ARM - IDLER | 1 |
| 104-4246 | FAN - ENGINE | 1 |
| 104-4853-03 | SCREEN - HOOD | 1 |
| 105-1212 | HOSE - HYD (RM 3550 - 2013-2016) | 1 |
| 107-7834 | PULLEY - IDLER | 1 |
| 110-8795 | CABLE - THROTTLE | 1 |
| 114-2726 | LEVER - BRAKE (RM 3550) | 2 |
| 115-0839 | SPRING - IDLER (RM 3550) | 1 |
| 115-3488 | SPRING - TORSION | 1 |
| 117-0148 | PIN - CYLINDER (RM 3575) | 3 |
| 119-6968 | DIPSTICK - OIL | 1 |
| 119-6989 | HYD CYLINDER ASM (RM 3555) | 1 |
| 130-4105 | BLADE - GROOMER (FOR UNIVERSAL GROOMER) | 32 |
| 321-10 | SCREW - HH | 1 |
| 32144-1 | SCREW - TAPTITE | 2 |
| 32144-4 | SCREW - HWH | 4 |
| 327-7 | SCREW - HH (RM 3575) | 3 |
| 340-139 | FITTING - ELBOW 90 | 1 |
| 353-781 | FITTING - ELBOW | 1 |
| 74-1810 | WASHER | 1 |
| 75-0560 | STEERING WHEEL ASM | 1 |
| 95-8796-03 | SUPPORT - BATTERY | 1 |
| 95-8854 | CABLE - BATTERY, NEGATIVE (RM 3550) | 1 |
| 95-8933-03 | PLATE - MOUNT, PUMP | 1 |
| 95-8971 | GAUGE - FUEL | 1 |
| 99-3620 | PULLEY - 3V, PUMP | 1 |
| 99-3624 | SHAFT - PIVOT, IDLER | 1 |
| 104-4834 | MUFFLER (3550/3555/3575) | 1 |
| 95-8620 | TANK - FUEL (3550/3555/3575) | 1 |
| 99-3626 | PULLEY | 1 |
| 100-4838-03 | MOUNT - ENGINE | 1 |
| 112-9193 | HOSE - HYD (RM 3550 2013 & UP) | 1 |
| 119-6987 | HYD CYLINDER ASM (RM 3575) | 2 |
| 106-7974 | HOSE - HYD (RM 3550) | 1 |
| 108-6507 | HOSE - HYD (RM 3555) | 1 |
| 108-6506 | HOSE - HYD (RM 3555/3575) | 1 |
| 32180-030 | CLIP - TIE | 1 |
| 112-9919 | STOP - CABLE, THROTTLE | 1 |
| 108-6715 | GAUGE BAR ASM | 1 |

REELMASTER

REELMASTER® 3550D / 3555 / 3575



Cutting Unit Parts

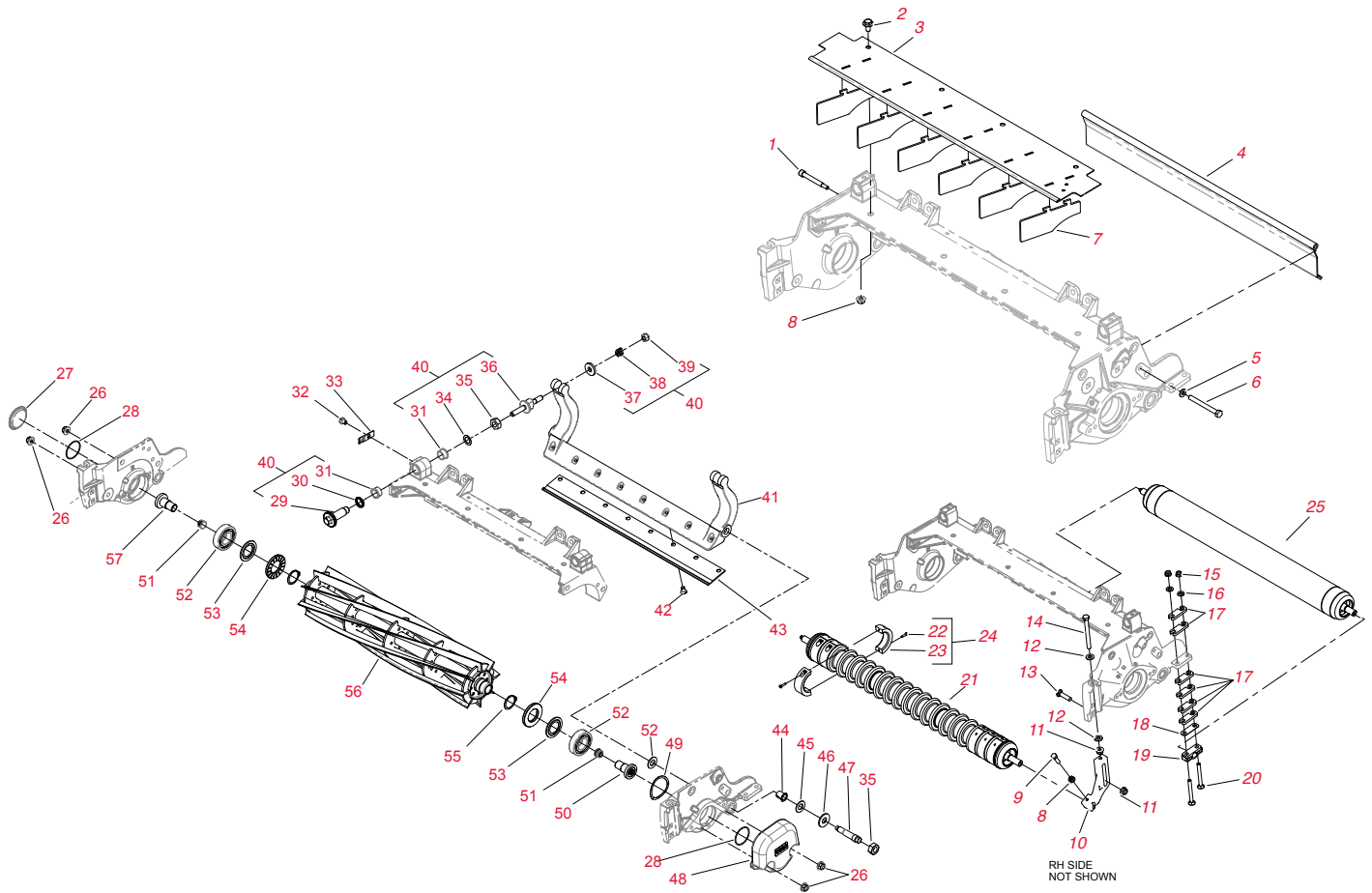
| Ref. No. | Part No. | Description | Qty. |
|----------|----------|---------------------------------|------|
| 1 | 107-7773 | SCREW-HSH | 1 |
| 2 | 3234-7 | SCREW-HHF | 3 |
| 3 | 112-1738 | FRONT GRASS SHIELD ASM | 1 |
| 5 | 3256-74 | WASHER-FLAT | 1 |
| 6 | 322-14 | SCREW-HH | 1 |
| 7 | 110-1706 | DEFLECTOR | 4 |
| 8 | 32128-20 | NUT-HF | 3 |
| 9 | 322-16 | SCREW-HH | 2 |
| 10 | 125-2796 | BRACKET-FRONT HOC | 2 |
| 11 | 104-8301 | NUT-FLANGE, NI | 4 |
| 12 | 48-9220 | WASHER | 4 |
| 13 | 3231-4 | SCREW-CARR | 2 |
| 14 | 107-4026 | SCREW-HH | 2 |
| 15 | 104-8300 | NUT-FLANGE, NI | 4 |
| 16 | 94-6936 | WASHER-HARDENED | 4 |
| 17 | 119-0626 | SHIM-ROLLER | 4 |
| 18 | 107-4001 | SHIM-ROLLER (0.01) | 2 |
| 19 | 106-3924 | BRACKER-ROLLER, REAR | 2 |
| 20 | 3230-7 | BOLT - CARR | 4 |
| 21 | 112-1704 | PLASTIC WIEHLE ROLLER ASM 18" | 1 |
| 21 | 112-1732 | FULL FRONT ROLLER ASM 18" | 1 |
| 21 | 112-1733 | PLASTIC SHOULDER ROLLER ASM 18" | 1 |
| 21 | 114-5400 | PLASTIC WIEHLE ROLLER ASM 22" | 1 |
| 21 | 114-5412 | FULL FRONT ROLLER ASM 22" | 1 |

Cutting Unit Parts - continued

| Ref. No. | Part No. | Description | Qty. |
|----------|-------------------|---|------------|
| 21 | 114-5421 | PLASTIC SHOULDER ROLLER ASM 22" | 1 |
| 22 | 104-1835 | SCREW | 2 |
| 23 | 100-4959 | COLLAR | 2 |
| 24 | 104-8215 | COLLAR KIT | 6 |
| 25 | 112-1708 | SHORT REAR ROLLER ASM 18" | 1 |
| 25 | 112-1728 | LONG REAR ROLLER ASM 18" | 1 |
| 25 | 114-5404 | LONG REAR ROLLER ASM 22" (2.5" DIA) | 1 |
| 25 | 114-5406 | SHORT REAR ROLLER ASM 22" (2.5" DIA) | 1 |
| 26 | 104-8301 | NUT-FLANGE, NI | 4 |
| 27 | 2410-30 | CAP-PLASTIC | 1 |
| 28 | 237-68 | O-RING | 2 |
| 29 | 120-5118 | SHAFT-ADJUSTER | 2 |
| 30 | 120-5116 | WASHER-WAVE | 2 |
| 31 | 106-5344 | BUSHING-FLANGED, KEYED | 4 |
| 32 | 119-4067 | CAPSCREW-HH | 2 |
| 33 | 99-2097 | DETENT | 2 |
| 34 | 108-0015 | WASHER-FLAT | 2 |
| 35 | 3296-33 | NUT-LOCK, NI | 2 |
| 36 | 115-7039 | SCREW-ADJUSTER, BEDBAR | 2 |
| 37 | 119-4155 | WASHER-HARDENED | 2 |
| 38 | 120-5120 | SPRING-COMPRESSION | 2 |
| 39 | 119-4039 | NUT-HEX, NI | 2 |
| 40 | 120-7230** | HD DPA MVP Kit | A/R |
| 41 | 112-1718-01 | BEDBAR(CU MODEL 03912 & 03911) | 1 |
| 42 | 119-4151 | SCREW-SPECIAL | 8 |
| 43 | 121-3165 | EDGEMAX BEDKNIFE - 18" FAIRWAY CUT | 1 |
| 43 | 121-3166 | STANDARD BEDKNIFE - 18" FAIRWAY CUT | 1 |
| 43 | 121-3167 | STANDARD BEDKNIFE - 18" LOW CUT | 1 |
| 43 | 130-4745 | PREMIUM BEDKNIFE - 18" LOW CUT | 1 |
| 43 | 108-9095 | ORDER 137-0833 | 1 |
| * | 137-0833 | BEDKNIFE - 22" FAIRWAY CUT - EDGEMAX | 1 |
| 43 | 108-9096 | STANDARD BEDKNIFE - 22" FAIRWAY CUT | 1 |
| 43 | 110-4084 | STANDARD BEDKNIFE - 22" LOW CUT | 1 |
| 43 | 127-7132 | ORDER 137-0832 | 1 |
| * | 137-0832 | BEDKNIFE - 22" FAIRWAY LOW CUT EDGEMAX | 1 |
| * | 119-4280 | BEDKNIFE - EDGEMAX EXTENDED LOW HOC | 1 |
| * | 137-0830 | EDGEMAX BEDKNIFE - 18" LOW CUT | 1 |
| * | 137-0831 | EDGEMAX BEDKNIFE - 18" FAIRWAY CUT | 1 |
| 44 | 56-9520 | BUSHING-FLANGED | 2 |
| 45 | 61-1950 | WASHER-PLASTIC | 4 |
| 46 | 3256-6 | WASHER-FLAT | 2 |
| 47 | 106-9623 | BOLT-BEDBAR (MODEL 03913) | 2 |
| 47 | 120-9941 | BOLT-BEDBAR (MODEL 03911 AND 03912) | 2 |
| 48 | 125-2779-01 | WEIGHT-END, 5" | 1 |
| 49 | 115-5258 | SPRING-WIRE, FLAT | 1 |
| 50 | 125-2772 | LH THREADED INSERT ASM | 1 |
| 51 | 125-5609 | PLUG-PLASTIC | 1 |
| 52 | 115-3296 | BEARING-SEALED | 2 |
| 53 | 115-3299 | SEAL-FLOCKED | 2 |
| | 121-6953 | ORDER 127-4284 | |
| 54 | 127-4284 | WASHER-SPECIAL | 2 |
| 55 | 92-2601 | RING-RETAINING | 2 |
| | 121-6982 | ORDER 131-6805 | |
| 56 | 131-6805 | EDGESERIES REEL - 8 BLADE RR (7" DIA - CUTTING UNIT 03638ES) | 1 |
| | 119-9154 | ORDER 131-3202 | |
| 56 | 131-3202 | REEL - 11 BLADE RR (5" DIA - CUTTING UNITS 03912/03481) | 1 |
| | 119-9150 | ORDER 131-3201 | |
| 56 | 131-3201 | REEL - 8 BLADE RR (5" DIA - CUTTING UNITS 03911/03480) | 1 |
| 56 | 133-0109 | EDGESERIES REEL - 8 BLADE RR (5" DIA - CUTTING UNITS 03911/03480) | 1 |
| 56 | 133-0112 | ORDER 137-8407 | 1 |
| * | 137-8407 | EDGESERIES REELS+ - 11 BLADE 5" FAIRWAY FSR | 1 |

REELMASTER

REELMASTER® 3550D / 3555 / 3575



Cutting Unit Parts - continued

| Ref. No. | Part No. | Description | Qty. |
|----------|-------------|--|------|
| 56 | 132-7109 | ORDER 137-8426 | 1 |
| * | 137-8426 | EDGESERIES REELS+ - BLADE 5" FAIRWAY RR | 1 |
| 56 | 132-7112 | EDGESERIES REEL - 11 BLADE FSR (5" DIA - CUTTING UNITS 03483/03635/03488ES/03623ES) | 1 |
| 57 | 125-2773 | RH THREADED INSERT ASM | 1 |
| 58 | 114-3717 | SEAL-OIL | 2 |
| 59 | 112-5290 | BEARING - STAINLESS STEEL | 2 |
| 60 | 112-7494 | SEAL | 4 |
| 61 | 114-5411 | NUT-LOCK, BEARING | 2 |
| 62 | 114-5430 | ROLLER REBUILD KIT | 1 |
| 63 | 302-5 | FITTING-GREASE | 2 |
| 64 | 112-1734 | ROLLER - SHOULDER , PLASTIC (MODEL 03911 AND 03912) | 1 |
| 64 | 114-5422 | ROLLER - SHOULDER, PLASTIC (MODEL 03913) | 1 |
| 65 | 112-1707 | SHAFT - ROLLER, WIEHLE | 1 |
| 65 | 112-1711 | SHAFT - REAR ROLLER, SHORT (MODEL 03911 AND 03912) | 1 |
| 65 | 112-1708 | REAR-SHORT ROLLER ASM (MODEL 03911 AND 03912) | 1 |
| 65 | 114-5404 | LONG ROLLER ASM (MODEL 03913) | 1 |
| 65 | 114-5406 | SHORT ROLLER ASM (MODEL 03913) | 1 |
| 65 | 114-5412 | FULL FRONT ROLLER ASM (MODEL 03913) | 1 |
| 65 | 114-5403 | SHAFT - ROLLER, FRONT | 1 |
| 65 | 112-1731 | SHAFT - LONG, REAR ROLLER (MODEL 03911 AND 03912) | 1 |
| 65 | 114-5407 | SHAFT - LONG, REAR ROLLER (MODEL 03913) | 1 |
| 65 | 114-5410 | SHAFT - SHORT, REAR ROLLER | 1 |
| 66 | 115-8294-03 | 2.5" DIA, ROLLER TUBE ASM (LONG) | 1 |

Cutting Unit Parts - continued

| Ref. No. | Part No. | Description | Qty. |
|----------|-------------------|---|------|
| 66 | 115-8293-03 | 2.5" DIA, ROLLER TUBE ASM (SHORT) | 1 |
| 66 | 115-8297-03 | 3" DIA, FULL ROLLER TUBE ASM (MODEL 03913) | 1 |
| 66 | 112-1740-03 | ORDER 115-8296-03 | 1 |
| 66 | 115-8296-03 | 3" DIA, FULL FRONT ROLLER TUBE ASM | 1 |
| 67 | 112-1705 | ROLLER - WIEHLE, PLASTIC 18" | 1 |
| 67 | 114-5401 | ROLLER - WIEHLE, PLASTIC 22" | 1 |
| * | 29-9100 | BRUSH AND HANDLE ASM | 1 |
| * | 340-6 | FITTING - SRAIGHT | 1 |
| * | 121-3182-03 | WIEHLE ROLLER SCRAPER 18" | 1 |
| | 133-0150** | RM 5" Universal Groomer Kit (Cutting Unit 03763) | 1 |
| | 133-0151** | RM 7" Universal Groomer Kit (Cutting Unit 03768) | 1 |
| | 133-0152** | RM3550 18" RRB Kit for Universal Groomer (Cutting Unit 03657) | 1 |
| | 133-0153** | RM3555 5" x 22" RRB Kit for Universal Groomer (Cutting Unit 03658) | 1 |
| | 133-0154** | RM3575 7" x 22" RRB Kit for Universal Groomer (Cutting Unit 03659) | 1 |
| | 133-0155** | RM3550 18" RRB Kit without Universal Groomer (Cutting Unit 03916) | 1 |
| | 133-0157** | 5" x 22" RRB Kit without Universal Groomer (Cutting Unit 03406) | 1 |
| | 133-0158** | 7" x 22" RRB Kit without Universal Groomer (Cutting Unit 03408) | 1 |



GANGMOWERS



172 Transport Frame

174 Reelmaster®

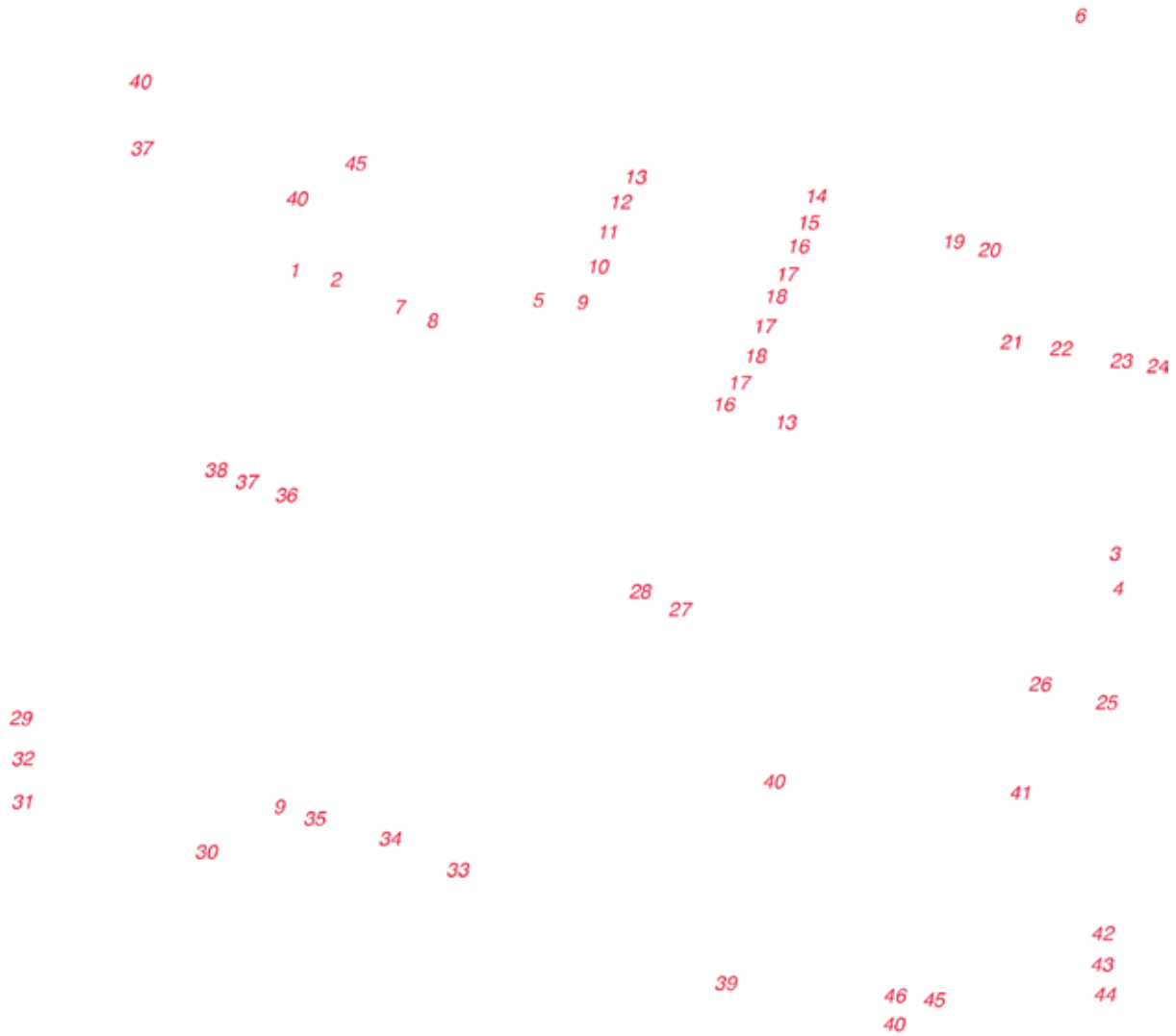
GANGMOWERS
TRANSPORT FRAME



Transport Frame

| Ref. No. | Part No. | Description | Qty. |
|----------|------------|---|------|
| 1 | 231-72 | ORDER 56-7960 | 2 |
| 1 | 56-7960 | TIRE (11 X 15) 6 PLY | 2 |
| 2 | 232-27 | ORDER 5108 | 2 |
| 2 | 5108 | VALVE STEM | 2 |
| 3 | 254-62 | ORDER 115-9471 | 2 |
| 4 | 115-9471 | CUP - BEARING (OUTER) | 2 |
| 5 | 22-8720 | SEAL KIT HYDRAULIC CYLINDER | 1 |
| 6 | 3-8448 | WASHER | 1 |
| 7 | 3-0348 | ORDER 125-5196 | 2 |
| 7 | 125-5196 | BUSHING | 2 |
| 8 | 302-5 | ZERK | 1 |
| 9 | 1-6559 | ORDER 6-1030 | 1 |
| 9 | 6-1030 | HOUSING ASSEMBLY | 1 |
| 10 | 32146-13 | ORDER 32153-5 | 1 |
| 10 | 32153-5 | NUT | 1 |
| 11 | 28-8720-01 | BAIL - 15.5" | 4 |
| 12 | 3-2198 | HOOK | 1 |
| 13 | 5-1706 | SPRING | 1 |
| 14 | 3296-50 | NUT - LOCK | 14 |
| 15 | 3-9280-01 | DRAWBAR | 1 |
| 16 | 324-10 | SCREW - CAP HEX HD | 14 |
| 17 | 5-1091 | SPACER | 1 |
| 18 | 3217-9 | NUT | 2 |
| 19 | 3254-4 | WASHER - LOCK | 14 |
| 20 | 325-17 | SCREW - CAP HEX HD | 7 |
| 21 | 26-8250-01 | LIFT ARM PIN | 2 |
| 21 | 37-2760-01 | LIFT ARM PIN | 2 |
| 22 | 3-0144 | SHAFT - LIFT CYLINDER | 3 |
| 23 | 26-8310-01 | BAIL - 6" | 3 |
| 24 | 84-2190 | SEAL KIT - CONTROL VALVE SECTION (1984 & UP) | 2 |
| 25 | 353-515 | SEAL KIT - CONTROL VALVE SPOOL (1975-84) | 1 |
| 26 | 353-743 | SEAL KIT - CONTROL VALVE CHECK PLUG (1975-84) | 1 |

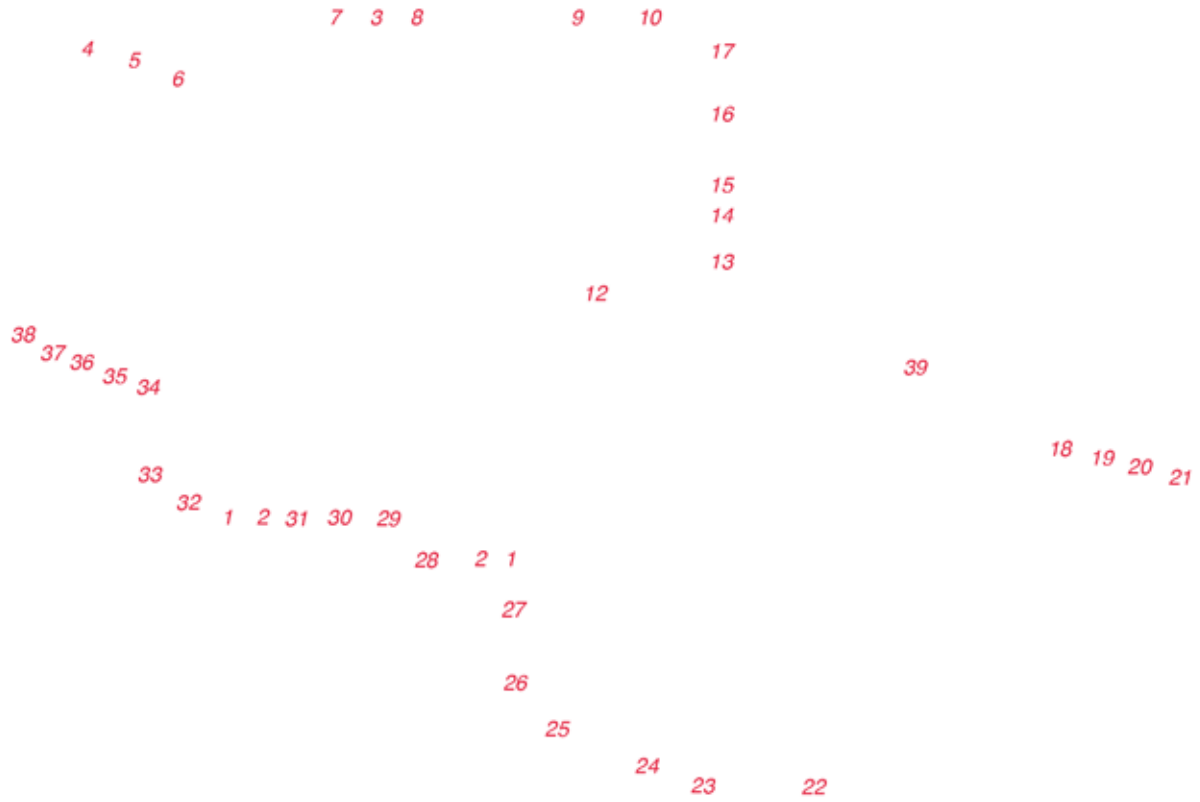
GANGMOWERS REELMASTER®



Reel & Bedbar Parts

| Ref. No. | Part No. | Description | Qty. |
|----------|------------------|--------------------------------------|------------|
| 1 | 254-94 | BEARING CONE | 2 |
| 2 | 254-72 | BEARING CUP | 2 |
| 3 | 47-6680 | BEDKNIFE - LOW-CUT | 1 |
| 3 | 49-7660 | BEDKNIFE | 1 |
| 4 | 57-4910 | ORDER 119-4151 | 11 |
| | 119-4151 | BEDKNIFE SCREW | 11 |
| | 11-5119 | ORDER 130-0081 | 1 |
| 5 | 130-0081 | REEL - 11 BLADE | |
| 5 | 130-0075 | REEL - 5 BLADE | 6 |
| 5 | 11-6879 | ORDER 130-0071 | 6 |
| 5 | 130-0071 | REEL - 7 BLADE | 6 |
| 6 | 13-3629** | Cutting Unit Overhaul MVP Kit | A/R |
| 7 | 47-4250 | WEAR SLEEVE | 2 |
| 8 | 47-4260 | GRASS SLINGER | 2 |
| 9 | 302-5 | GREASE FITTING | 2 |
| 10 | 47-4410 | RETAINER - BEARING ARM | 1 |
| 11 | 322-1 | SCREW - CAP | 2 |
| 12 | 3290-244 | WASHER - LOCK | 2 |
| 13 | 47-4420 | SPACER - SLEEVE | 2 |
| 14 | 47-4300-01 | HANDLE | 1 |
| 15 | 47-4400 | ARM - SPRING | 1 |
| 16 | 253-84 | GREASE SEAL | 2 |
| 17 | 257-5 | WASHER | 4 |
| 18 | 257-6 | THRUST BEARING | 2 |
| 19 | 57-5190 | SCREW - SET | 2 |
| 20 | 3218-18 | NUT - JAM | 2 |
| 21 | 47-4080-01 | BEDBAR | 1 |
| 22 | 3296-19 | NUT - HEX | 1 |
| 23 | 32148-5 | THREADED INSERT | 4 |
| 24 | 47-4440 | WASHER | 2 |
| 25 | 3296-57 | LOCKNUT | 1 |
| 26 | 47-4490 | PINION REEL LH | 1 |
| 27 | 5-4373 | SPRING | 1 |
| 28 | 3296-62 | LOCKNUT | 1 |
| 29 | 47-4530 | RETAINER | 2 |
| 30 | 37-3490-01 | BRACKET - DRAWBAR | 2 |
| 31 | 323-6 | CAP SCREW | 4 |
| 32 | 3253-21 | LOCK WASHER | 4 |
| 33 | 68-7530 | RUBBER BUSHING | 2 |
| 34 | 11-5069 | TUBE ASSEMBLY (INCL #33 & 35) | 1 |
| 35 | 47-4510 | ADJUSTMENT SHAFT | 1 |
| 36 | 3257-3 | KEY | 1 |
| 37 | 5-1463 | PINION | 1 |
| 38 | 3-8386 | NUT | 1 |
| 39 | 323-9 | SCREW - CAP | 2 |
| 40 | 3296-39 | NUT - LOCK | 4 |
| 41 | 3296-8 | NUT - LOCK | 8 |
| 43 | 3256-22 | WASHER - FLAT | 16 |
| 44 | 3290-133 | SCREW - MACHINE | 8 |
| 45 | 323-10 | SCREW - CAP | 2 |
| 46 | 51-0840 | TUBE - PIVOT | 2 |
| * | 302-40 | FITTING - GREASE (JAKE ADAPTER KIT) | 7 |

GANGMOWERS
REELMASTER®

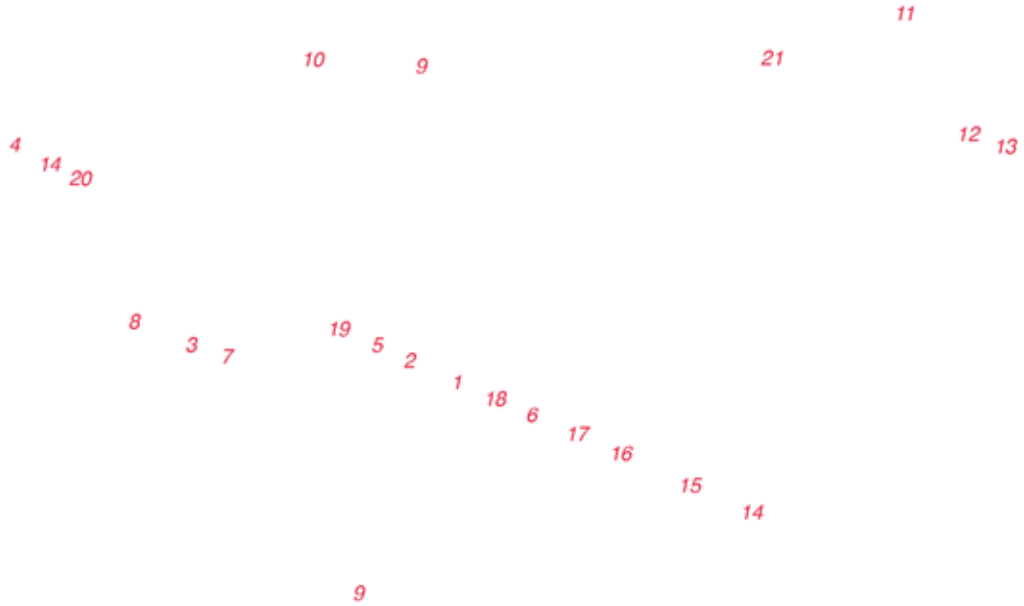


Gear Case Parts

| Ref. No. | Part No. | Description | Qty. |
|----------|------------------|--|------------|
| 1 | 254-78 | BEARING CONE | 4 |
| 2 | 254-79 | BEARING CUP | 4 |
| 3 | 252-6 | BEARING | 2 |
| * | 13-3629** | Cutting Unit Overhaul MVP Kit | A/R |
| 4 | 11-8960 | FASTENER | 6 |
| 5 | 5-1460 | PINION COVER | 2 |
| 6 | 106-5408 | GASKET | 1 |
| 7 | 3-9117 | SHAFT | 1 |
| 7 | 3-9116 | SHAFT | 1 |
| 8 | 12-1190 | IDLER PINION | 2 |
| 9 | 3-4170 | RATCHET GEAR RING RH (SHOWN) | 1 |
| 9 | 3-4160 | RATCHET GEAR RING LH | 1 |
| 10 | 3-7445 | STUD | 6 |
| 12 | 17-2520 | STUD - DRIVE | 6 |
| 13 | 302-14 | RELIEF FITTING | 2 |
| 14 | 3-3892 | FINGER BEARING. | 2 |
| 15 | 237-21 | O-RING | 2 |
| 16 | 3283-1 | LOCK PIN | 2 |
| 17 | 5-1464-03 | HANDLE | 2 |
| 18 | 68-7530 | RUBBER BUSHING | 2 |
| 19 | 47-4430 | BUSHING | 2 |
| 20 | 47-5640 | RUBBER SPACER | 2 |
| 21 | 47-4460 | BOLT - ECCENTRIC | 1 |
| 21 | 47-4450 | BOLT - SHOULDER | 1 |
| 22 | 11-9419 | ORDER 11-5049 | 1 |
| 22 | 11-5049 | COVER - GEAR CASE LH (INCL #10, 12, 13, 18 & 23) | 1 |
| 23 | 3-3904 | FINGER - RH | 1 |
| 23 | 3-3891 | FINGER - LH | 1 |
| 24 | 281-3 | OIL PLUG | 2 |
| 25 | 3219-10 | NUT | 2 |
| 26 | 3256-15 | WASHER | 2 |
| 27 | 11-9409 | ORDER 11-5059 | 1 |
| 27 | 11-5059 | COVER - GEAR CASE RH (INCL #10, 12,13, 18 & 23) | 1 |
| 28 | 5-1457 | GEAR | 2 |
| 29 | 95-1828 | RING GEAR HUB | 2 |
| 30 | 253-101 | ORDER 84-8200 | 2 |
| 30 | 84-8200 | OIL SEAL | 2 |
| 31 | 3262-3 | RIVET | 12 |
| 32 | 3-5002 | ORDER 106-5409 | 1 |
| 32 | 106-5409 | GASKET | 1 |
| 33 | 47-4060-01 | COVER | 2 |
| 34 | 49-4100 | AXLE STUB | 2 |
| 35 | 3254-17 | WASHER - LOCK | 20 |
| 36 | 49-2040 | SCREW | 20 |
| 37 | 3296-15 | LOCK NUT | 2 |
| 38 | 237-38 | O-RING | 2 |
| 39 | 68-9970 | SEAL - GUARD | 2 |

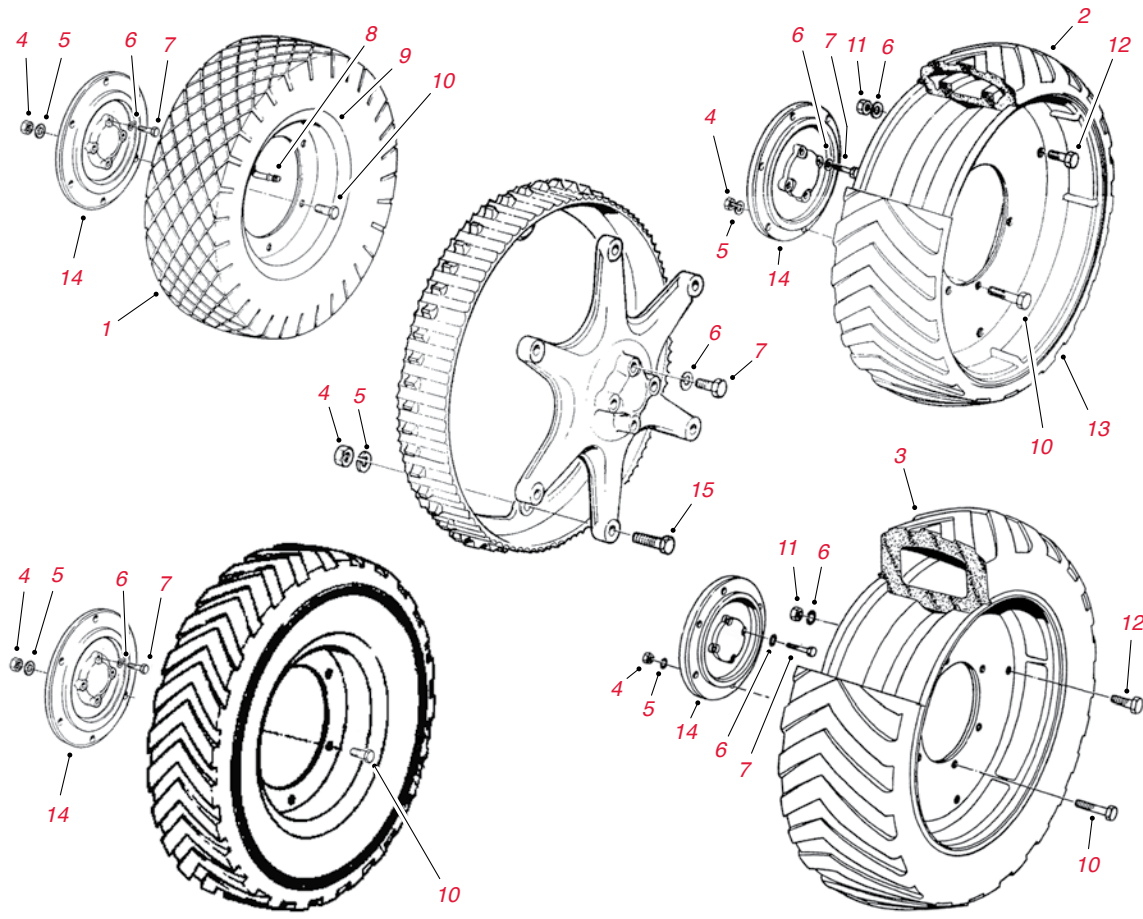
GANGMOWERS

ROLLER PARTS



Roller Parts

| Ref. No. | Part No. | Description | Qty. |
|----------|-----------|--|------|
| 1 | 254-78 | BEARING CONE | 2 |
| 2 | 254-79 | BEARING CUP | 2 |
| 3 | 251-190 | ORDER 251-293 | 2 |
| 3 | 251-293 | BEARING | 2 |
| 4 | 3-4010 | BUSHING | 2 |
| 5 | 253-122 | SEAL | 2 |
| 6 | 253-117 | SEAL | 2 |
| 7 | 253-70 | SEAL | 4 |
| 8 | 3-0312 | GASKET | 4 |
| 9 | 302-5 | GREASE FITTING | 2 |
| 10 | 5-3939 | ORDER 8-3990 | 1 |
| 10 | 8-3990 | ROLLER ASSEMBLY | 1 |
| 11 | 11-5079 | ROLLER BRACKET LH (REELMASTER SHOWN) (INCL #4) | 1 |
| 11 | 11-5089 | ROLLER BRACKET RH (REELMASTER) (INCL #4) | 1 |
| 12 | 3253-7 | LOCK WASHER | 2 |
| 13 | 325-7 | CAP SCREW | 2 |
| 14 | 5-4527 | WASHER - THRUST | 2 |
| 15 | 3220-7 | JAM NUT | 4 |
| 16 | 8-3980 | ROLLER SHAFT | 1 |
| 17 | 47-7510 | NYLON WASHER (REELMASTER) | 2 |
| 18 | 5-4523 | SLEEVE | 2 |
| 19 | 4-5189-01 | ROLLER END CAP | 2 |
| 20 | 3296-15 | LOCK NUT | 1 |
| 21 | 47-4390 | ROLLER NUT - LH | 1 |
| * | 47-4380 | ROLLER NUT - RH | 1 |



Wheel Parts

| Ref. No. | Part No. | Description | Qty. |
|----------|-----------|--------------------------------------|------|
| 1 | 231-84 | ORDER 231-3 | 2 |
| 1 | 231-92 | ORDER 231-3 | 2 |
| 1 | 231-3 | TIRE (16 X 4.8 - 8) 2-PLY STUD TREAD | 2 |
| 2 | 12-9390 | TIRE (16 X 4 - 12) SEMI-PNEUMATIC | 2 |
| 3 | 51-2550 | TIRE (18 X 4 - 12) SEMI-PNEUMATIC | 2 |
| 4 | 3219-3 | NUT | 12 |
| 5 | 3254-6 | LOCK WASHER | 12 |
| 6 | 3253-4 | LOCK WASHER | 12 |
| 7 | 5-1470 | CAP SCREW | 8 |
| 8 | 232-3 | TUBE | 2 |
| 9 | 5-3256 | DISC | 2 |
| 9 | 5-3257 | DISC | 2 |
| 10 | 3211-4 | CAP SCREW | 12 |
| 11 | 3217-6 | NUT | 8 |
| 12 | 322-2 | CAP SCREW | 8 |
| 13 | 12-9460 | WHEEL DISC | 4 |
| 14 | 5-1468-01 | TIRE HUB | 2 |
| 15 | 3211-6 | SCREW - CAP | 12 |



GROUNDMASTER®



182 Groundsmaster 580D

186 Groundsmaster 3000 / 3000D

187 Groundsmaster 3280D / 3320

194 Groundsmaster 3500D / 3505D / 4000D / 4100D / 4500D / 4700D

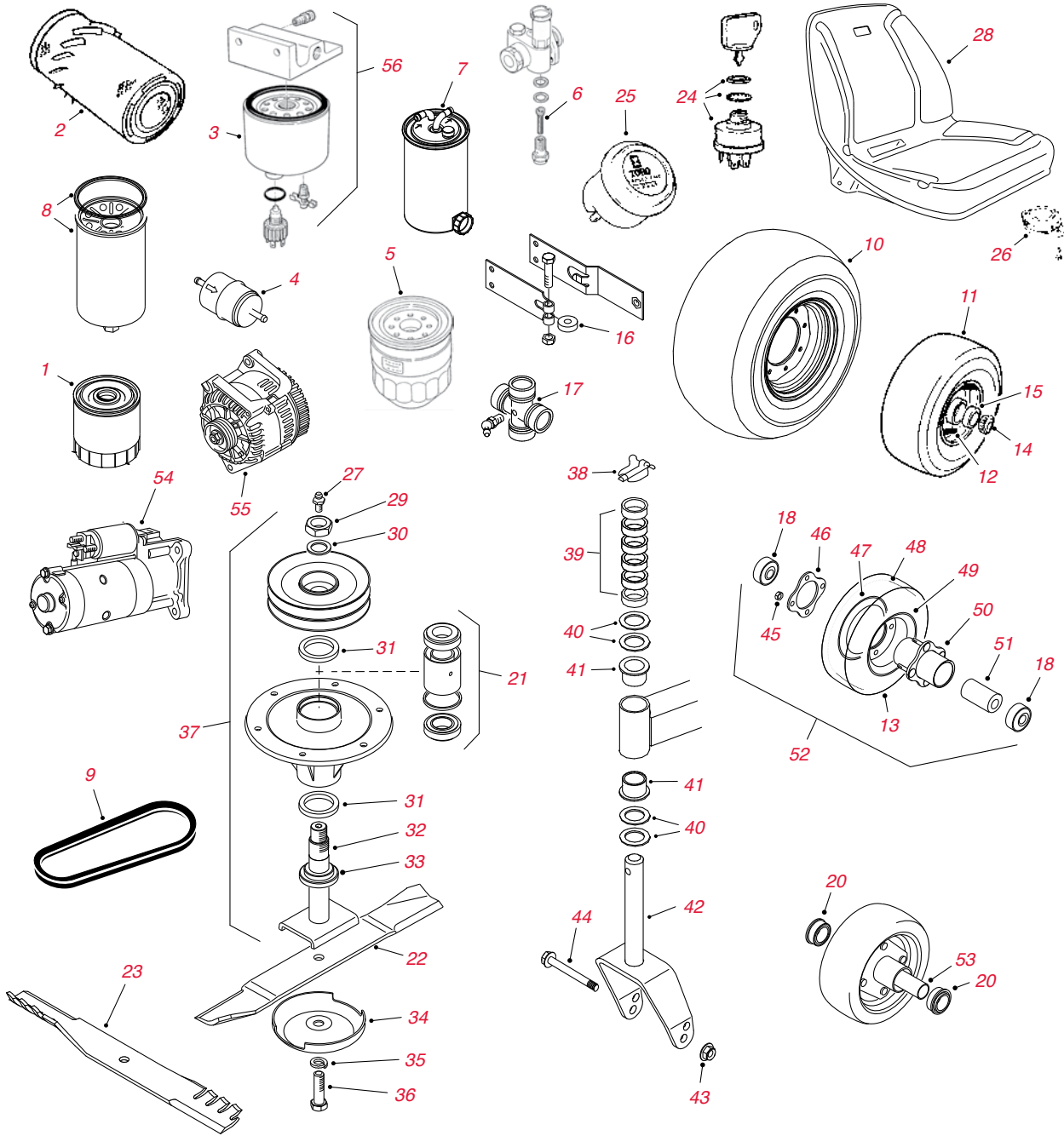
208 Groundsmaster 4300D

210 Groundsmaster 5900D / 5910D

212 Groundsmaster 7200 / 7210

216 Groundsmaster 360 Series

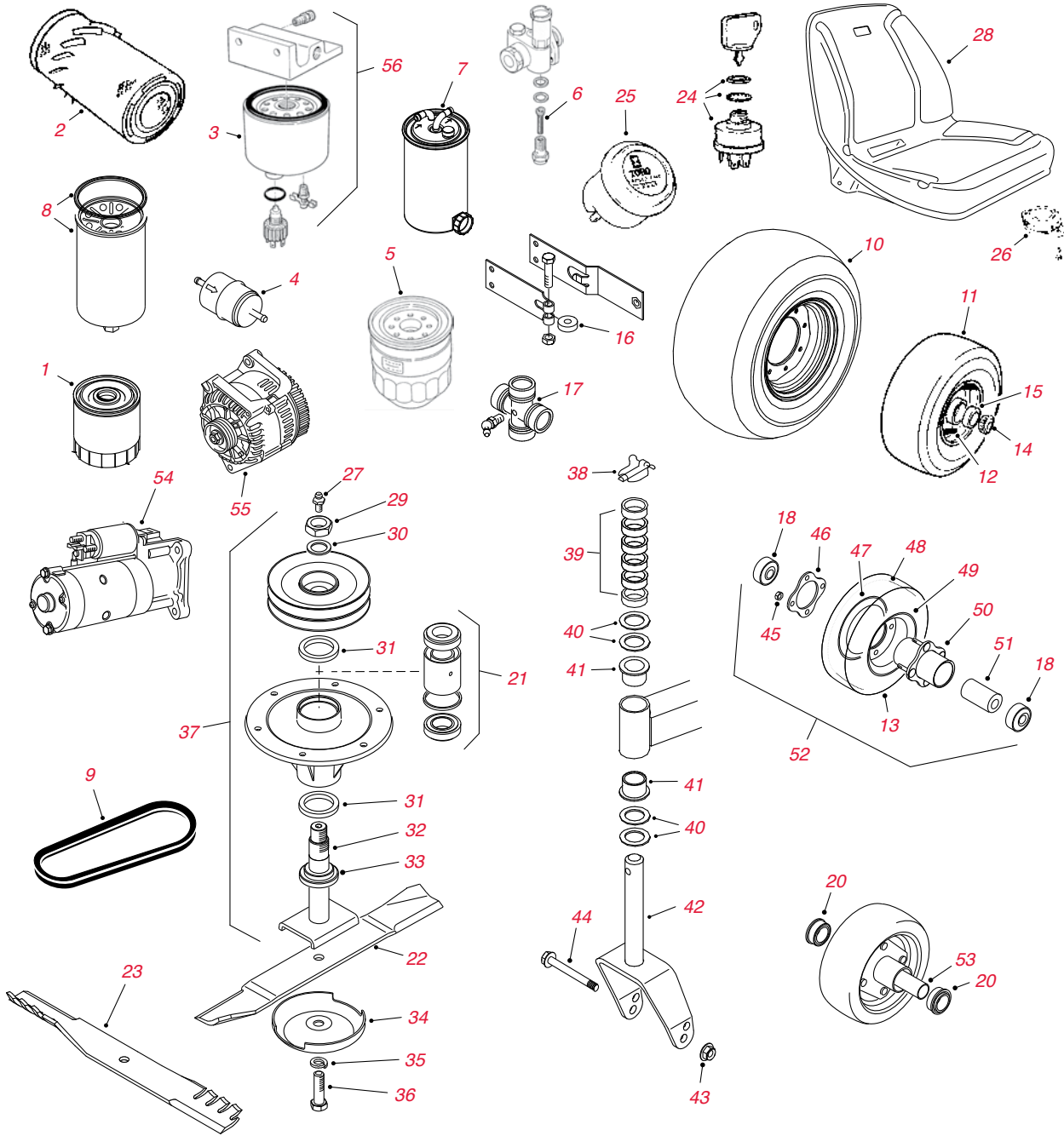
GROUNDMASTER
GROUNDMASTER® 580D



Traction Unit & Cutting Unit Parts

| Ref. No. | Part No. | Description | Qty. |
|----------|-----------------|--|------------|
| 1 | 49-2500 | ORDER 108-3835 | 1 |
| 1 | 108-3835 | FILTER - ENGINE OIL (1989-97) | 1 |
| 1 | 99-2143 | ORDER 110-6166 | 1 |
| 1 | 110-6166 | FILTER - ENGINE OIL (1998 & UP) | 1 |
| 2 | 69-1900 | ORDER 108-3809 | 1 |
| 2 | 108-3809 | ELEMENT - AIR FILTER (1989-1997) | 1 |
| 2 | 108-3815 | ELEMENT - AIR FILTER (2005 & UP) | 1 |
| 3 | 69-1770 | ORDER 117-9432 | 1 |
| 3 | 117-9432 | ELEMENT - FUEL FILTER (1989-03) | 1 |
| 3 | 107-4395 | ORDER 60-5470 | 1 |
| 3 | 60-5470 | ELEMENT - FUEL FILTER (2004-05) | 1 |
| 4 | 108-3831 | IN-LINE FUEL FILTER (2006 & UP) | 1 |
| 5 | 70-5730 | ORDER 108-3818 | 1 |
| 5 | 108-3818 | ELEMENT (INJECTION PUMP FUEL FILTER) | 1 |
| 6 | 70-4790 | FILTER - FUEL FEED PUMP | 1 |
| 7 | 112-9188 | ELEMENT - FUEL FILTER (2008 & UP) | 1 |
| * | 112-9130 | BIO-DIESEL FUEL FILTER KIT (INCL #7) | 1 |
| 8 | 69-1720 | HYDRAULIC FILTER | 1 |
| * | 30024** | 400 Hour Filter MVP Kit (GM 580D - 1989-03) | A/R |
| * | 30063** | 400 Hour Filter MVP Kit (GM 580D - 2004 & Up) | A/R |
| 9 | 69-6220 | ORDER 93-8457 | 1 |
| 9 | 93-8457 | HEX-BELT - SPINDLE DRIVE (CENTER DECK) | 1 |
| 9 | 69-6210 | ORDER 99-2318 | 1 |
| 9 | 76-2060 | ORDER 99-2318 | 1 |
| 9 | 99-2318 | V-BELT - SPINDLE DRIVE (WING DECK) | 1 |
| 10 | 69-9800 | TIRE - FRONT (31 X 13.5 - 15) 8-PLY (STANDARD) | 2 |
| 11 | 69-9880 | TIRE - REAR (23 X 10.5 - 12) 6-PLY | 2 |
| 12 | 232-27 | ORDER 5108 | 2 |
| 12 | 5108 | VALVE STEM | 2 |
| 13 | 93-4243 | 10" TIRE | 1 |
| 14 | 254-106 | CONE - BEARING (REAR WHEEL - INNER) | 2 |
| 14 | 254-92 | CONE - BEARING (REAR WHEEL - OUTER) | 2 |
| 15 | 254-107 | CUP - BEARING (REAR WHEEL - INNER) | 2 |
| 15 | 254-72 | CUP - BEARING (REAR WHEEL - OUTER) | 2 |
| 16 | 251-307 | ORDER 251-259 | 1 |
| 16 | 251-259 | BEARING - BALL (NEUTRAL ARM) | 1 |
| 17 | 92-4187 | U-JOINT KIT (PUMP DRIVE) | 2 |
| 18 | 93-4237 | ORDER 120-5378 | 2 |
| 18 | 120-5378 | BEARING (13" WHEEL - 1997 & UP) | 2 |
| 20 | 251-321 | BEARING (10" & 13" WHEEL - 1989-96) | 2 |
| 21 | 71-2530 | BEARING & SPACER KIT | 1 |
| 22 | 69-6920-03 | STANDARD BLADE - 20" | 11 |
| 23 | 107-0217-03 | ATOMIC BLADE - 20" | 11 |
| * | 108-1453 | Blade Service Pack (11 Blades 107-0217-03) | 1 |
| 24 | 27-2360 | KEY SWITCH (6 LEAD) | 1 |
| 25 | 66-2950 | HOUR METER | 1 |
| 26 | 92-6282 | SWITCH - SEAT | 1 |
| 27 | 302-2 | FITTING - GREASE | 1 |
| 28 | 49-8130 | ORDER 104-4620 | 1 |
| 28 | 92-1180 | ORDER 104-4620 | 1 |
| 28 | 104-4620 | SEAT ASSEMBLY | 1 |
| 29 | 3296-49 | NUT - LOCK | 1 |
| 30 | 3-8514 | WASHER - THRUST | 1 |
| 31 | 253-154 | SPINDLE SEAL | 2 |
| 32 | 69-6760 | ORDER 110-3285 | 11 |

GROUNDMASTER
GROUNDMASTER® 580D



Traction Unit & Cutting Unit Parts - continued

| Ref. No. | Part No. | Description | Qty. |
|----------|-------------------|--|------------|
| 32 | 110-3285 | SPINDLE | 11 |
| 33 | 92-9800 | ORDER 69-6950 | 1 |
| 33 | 69-6950 | SPACER - SPINDLE | 1 |
| 34 | 67-7561 | CUP - ANTI-SCALP | 1 |
| 35 | 3253-8 | WASHER - LOCK | 11 |
| 36 | 51-4060 | BOLT - BLADE | 11 |
| 37 | 69-8400** | Deck Spindle MVP Kit (1989-01) | A/R |
| 37 | 106-0005** | Deck Spindle MVP Kit (2002 & Up - Center) | A/R |
| 37 | 106-0006** | Deck Spindle MVP Kit (2002 & Up - Outer) | A/R |
| 38 | 3290-384 | LYNCH PIN (1993 & OLDER) | 2 |
| 38 | 283-71 | LYNCH PIN (1994 & UP) | 2 |
| 39 | 69-1510 | SPACER - CASTER | 6 |
| 40 | 69-6860 | THRUST WASHER | 8 |
| 41 | 69-6470 | BUSHING | 4 |
| 42 | 75-9650 | ORDER 69-6270-01 | 2 |
| 42 | 69-6270-01 | CASTER FORK - WING DECK | 2 |
| 42 | 69-6310 | ORDER 75-9670-01 | 2 |
| 42 | 75-9670-01 | CASTER FORK - CENTER DECK | 2 |
| 43 | 3296-53 | NUT - LOCK | 1 |
| 44 | 327-24 | CAP SCREW (FRONT DECK REAR CASTER) | 1 |
| 44 | 327-25 | CAP SCREW (FRONT DECK FRONT CASTER) | 1 |
| 44 | 327-17 | CAP SCREW (WING DECK CASTER) | 1 |
| 45 | 32128-16 | NUT - LOCK | 4 |
| 46 | 93-4242 | PLATE | 1 |
| 47 | 95-2741 | RIM HALF | 1 |
| 48 | 93-4244 | 10" INNER TUBE | 1 |
| 49 | 93-4239 | RIM HALF | 1 |
| 50 | 93-5980 | HUB | 1 |
| 51 | 93-4241 | SPANNER | 1 |
| 52 | 93-4240 | 10" PNEUMATIC WHEEL ASSEMBLY | 1 |
| 52 | 93-5973 | 10" FOAM FILLED WHEEL ASSEMBLY (OPTIONAL) | 1 |
| 53 | 251-332 | ORDER 104-2547 | 1 |
| 53 | 104-2547 | SPANNER (10" WHEEL - 1989-96) | 1 |
| 54 | 70-5860 | ORDER 112-1353 | 1 |
| 54 | 112-1353 | STARTER (1989-1997) | 1 |
| 54 | 104-8609 | ORDER 112-7022 | 1 |
| 54 | 112-7022 | STARTER (2006 SERIAL 301 UP) | 1 |
| 55 | 70-5760 | ORDER 112-1357 | 1 |
| 55 | 112-1357 | ORDER 137-5512 | 1 |
| | 137-5512 | ALTERNATOR (1989-1997) | 1 |
| 55 | 112-1360 | ALTERNATOR (1998-2004) | 1 |
| 55 | 107-1169 | ORDER 112-7024 | 1 |
| 55 | 112-7024 | ALTERNATOR (2006 SERIAL 301 UP) | 1 |
| * | 69-4320 | FITTING-HYD, 90 DEG | 1 |
| * | 256-76 | BUSHING | 4 |
| * | 256-172 | BUSHING | 8 |
| * | 32121-110 | PIN- ROLL, SLOTTED | 4 |
| * | 69-6920-03 | BLADE - 20" | 5 |
| * | 82-4910 | ROLLER | 1 |

GROUNDMASTER

GROUNDMASTER® 3000 / 3000D

Traction Unit Parts

| | Part No. | Description | Qty. |
|----------------------------------|---|---|------------|
| FILTERS | | | |
| | 30010** | 400 Hour Filter MVP Kit (GM 3000D) | A/R |
| | 74-7970 | ORDER 108-3837 | 1 |
| | 108-3837 | FILTER - ENGINE OIL (GM 3000D) | 1 |
| | 94-1412 | ORDER 108-3812 | 1 |
| | 93-9162 | ORDER 108-3812 | 1 |
| | 108-3812 | PRIMARY FILTER-AIR | 1 |
| | 94-1413 | ORDER 108-3813 | 1 |
| | 108-3813 | SAFETY FILTER-AIR | 1 |
| | 76-5220 | ELEMENT - FUEL FILTER (GM 3000D) | 1 |
| | 94-3951 | FILTER - HYDRAULIC OIL | 1 |
| TIRES | | | |
| | 93-5431 | TIRE - FRONT (25 X 10.5 - 15) 6-PLY | 2 |
| | 98-2373 | ORDER 117-5196 | 2 |
| | 117-5196 | TIRE - FRONT (26.5 X 14 - 12) 2-PLY WIDE ULTRA-TRAC | 2 |
| | 95-2638 | TIRE - FRONT (24 X 13 - 12) 4-PLY | 2 |
| | 74-5560 | TIRE - REAR (20 X 8 - 10) 6-PLY | 2 |
| | 95-2625 | TIRE - REAR (18 X 8.5 - 10) 4-PLY | 2 |
| BEARINGS | | | |
| | See Quick Reference Guide for detailed information on bearing replacements for this model. Page 30-38 | | |
| | 254-92 | BEARING CONE - 2WD REAR WHEEL | 2 |
| | 254-72 | BEARING CUP - 2WD REAR WHEEL | 2 |
| | 28-3650 | ORDER 251-8 | 1 |
| | 251-8 | BEARING - HYDROSTAT | 1 |
| | 251-259 | BEARING - BALL (NEUTRAL ARM) | 1 |
| STARTER & ALTERNATORS | | | |
| | 104-0142 | ORDER 112-1366 | 1 |
| | 112-1366 | STARTER (3000D) | 1 |
| SEAT | | | |
| | 131-6691 | SEAT COVER, LARGE | 1 |
| | 137-1312 | MESH SEAT COVER, LARGE | 1 |

Traction Unit Parts

| | Part No. | Description | Qty. |
|----------------------------------|---|---|------------|
| FILTERS | | | |
| | 30034** | 400 Hour Filter MVP Kit (GM 3280D - 2005-07) | A/R |
| | 30051** | 400 Hour Filter MVP Kit (GM 3280D - 2008-2015) | A/R |
| | 30262** | 400 Hour Filter MVP Kit (GM 3280D - 2016 & Up) | A/R |
| | 104-5167 | ORDER 108-3841 | 1 |
| | 108-3841 | FILTER - ENGINE OIL (GM 3280D) | 1 |
| | 108-3842 | FILTER - ENGINE OIL (GM 3320) | 1 |
| | 108-3810 | AIR FILTER ELEMENT | 1 |
| | 98-7612 | FILTER - FUEL, PLASTIC (GM 3280D) | 1 |
| | 108-3828 | FILTER - FUEL, METAL (GM 3280D) | 1 |
| | 99-9193 | ORDER 108-3854 | 1 |
| | 95-2926 | ORDER 108-3854 | 1 |
| | 108-3854 | FILTER - FUEL (GM 3320) | 1 |
| | 98-9764 | ELEMENT - SEPARATOR (GM 3280D 2005-2007) | 1 |
| | 110-9049 | ELEMENT - SEPARATOR (GM 3280D 2008 & UP) | 1 |
| | 112-9140 | BIO-DIESEL FUEL FILTER KIT (GM 3280D) | 1 |
| | 112-7836 | IN-LINE FUEL FILTER (BIO-DIESEL KIT GM 3280D) | 1 |
| | 110-9015 | ELEMENT - SEPARATOR (BIO-DIESEL KIT GM 3280D) | 1 |
| | 23-2300 | FILTER - HYDROSTATIC TRANSMISSION | 1 |
| BELTS | | | |
| | 104-3494 | V-BELT - ALTERNATOR/WATER PUMP DRIVE (GM 3280D) | 1 |
| TIRES | | | |
| | 108-6594 | ORDER 117-0823 | 2 |
| | 117-0823 | TIRE - FRONT (23 X 9.5 - 12) 4-PLY (GM 3280D/3320) | 2 |
| | 231-95 | TIRE - FRONT (23 X 10.5 - 12) 4-PLY WIDE (GM 3280D/3320) | 2 |
| | 69-9880 | TIRE - FRONT (23 X 10.5 - 12) 6-PLY WIDE (GM 3280D/3320) | 2 |
| | 231-43 | ORDER 231-105 | 2 |
| | 231-83 | ORDER 231-105 | 2 |
| | 231-105 | TIRE - REAR 2WD (16 X 6.5 - 8) 4-PLY RIBBED (3280D/3320) | 2 |
| | 231-114 | ORDER 231-122 | 2 |
| | 231-122 | TIRE - REAR 4WD (18 X 6.5 - 8) 4-PLY (3280D) | 2 |
| BEARINGS | | | |
| | See Quick Reference Guide for detailed information on bearing replacements for this model. Page 30-38 | | |
| | 21-8180 | BEARING | 2 |
| | 251-8 | BEARING - HYDROSTAT | 1 |
| | 2411-36 | BEARING - END, ROD | 1 |
| STARTER & ALTERNATORS | | | |
| | 98-9705 | STARTER (GM 3280D) | 1 |
| | 99-9207 | ORDER 110-2598 | 1 |
| | 110-2598 | STARTER (GM 3320) | 1 |
| | 131-6557 | ALTERNATOR (GM 3280D) | 1 |
| | 99-9209 | ALTERNATOR (GM 3320) | 1 |
| | 106-5269 | IGNITION SWITCH ASM | 1 |
| | 106-5270 | IGNITION KEY SET | 1 |
| SEAT | | | |
| | 131-6691 | SEAT COVER, LARGE | 1 |
| | 137-1312 | MESH SEAT COVER, LARGE | 1 |

GROUNDMASTER

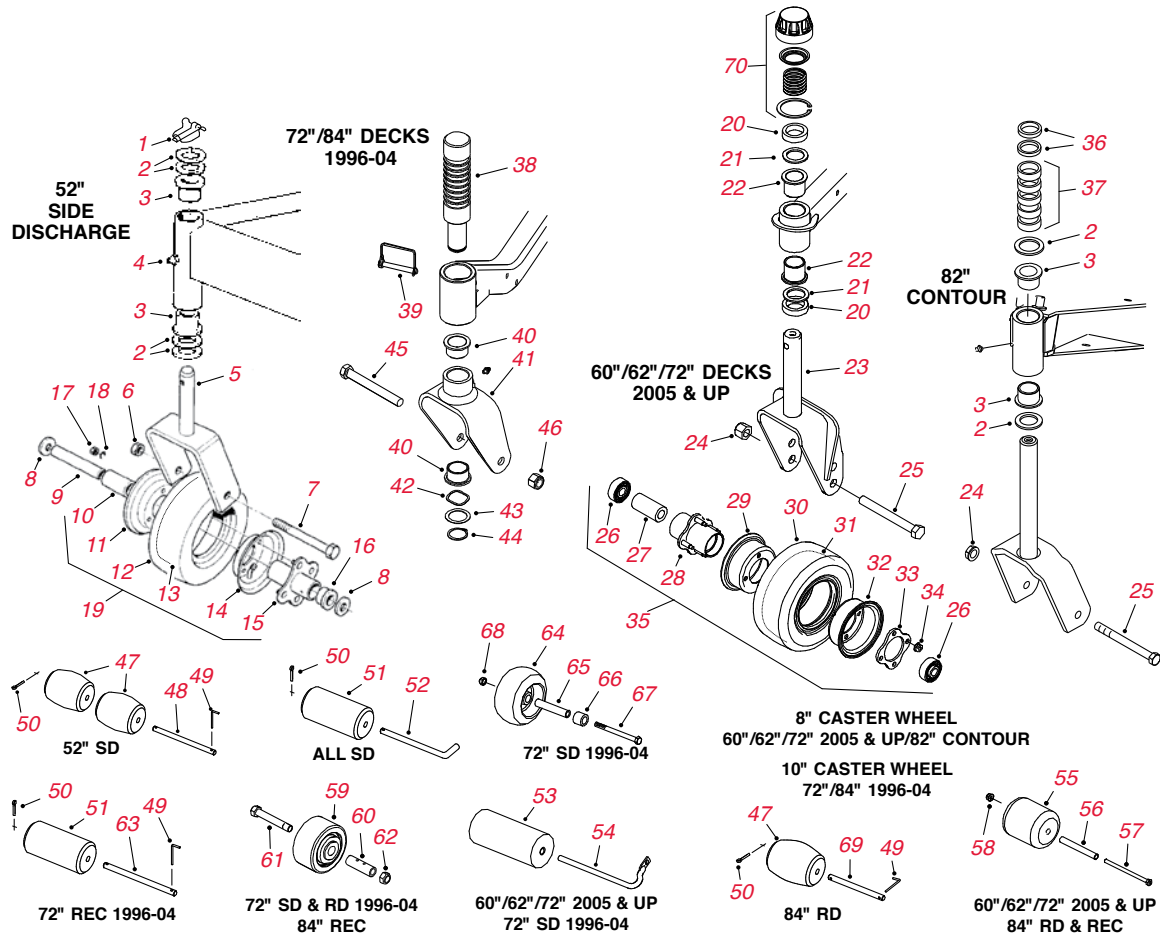
GROUNDMASTER® 3280D TIER 4 MODELS: 30344 / 30345

Traction Unit Parts

| | Part No. | Description | Qty. |
|----------------------------------|---|---|------------|
| FILTERS | | | |
| | 30051** | 400 Hour Filter MVP Kit (GM 3280D - 2008-2015) | A/R |
| | 30262** | 400 Hour Filter MVP Kit (GM 3280D - 2016 & Up) | A/R |
| | 108-3810 | AIR FILTER ELEMENT | 1 |
| | 114-4057 | ELEMENT-SAFETY, 5" | 1 |
| | 108-3841 | FILTER - ENGINE OIL | 1 |
| | 110-9049 | ELEMENT - SEPARATOR (GM 3280D 2008 & UP) | 1 |
| | 23-2300 | FILTER - HYDROSTATIC TRANSMISSION | 1 |
| BELTS | | | |
| | 104-3494 | V-BELT - ALTERNATOR/WATER PUMP DRIVE (GM 3280D) | 1 |
| | 63-6240 | V-BELT, SHAFT ASM | 1 |
| TIRES | | | |
| | 117-0823 | FRONT (23 X 9.5 - 12) 4-PLY STANDARD | 2 |
| | 231-105 | FRONT (23 X 10.5 - 12) 4-PLY WIDE Ribbed (30344 Model) | 2 |
| | 231-122 | REAR 4WD (18 X 6.5 - 8) 4-PLY (30345 Model) | 2 |
| | 231-95 | TIRE (23 x 10.5 - 12) 4-Ply - Wide Wheel Opt. | 2 |
| | 69-9880 | TIRE (23 x 10.5 - 12) 6-Ply - Wide Wheel Opt. | 2 |
| BEARINGS | | | |
| | See Quick Reference Guide for detailed information on bearing replacements for this model. Page 30-38 | | |
| | 21-8180 | BEARING ASM | 2 |
| | 251-259 | BEARING - BALL | 1 |
| | 251-8 | BEARING - BALL | 1 |
| | 254-94 | BEARING - CONE, TAPERED | 1 |
| | 254-72 | BEARING - CUP, TAPERED | 1 |
| | 24-8840 | RING-RETAINING, WHEEL BEARING | 1 |
| | 2411-36 | BEARING - END, ROD | 1 |
| STARTER & ALTERNATORS | | | |
| | 98-9705 | STARTER (GM 3280D) | 1 |
| | 131-6557 | ALTERNATOR (GM 3280D) | 1 |
| | 106-5269 | IGNITION SWITCH ASM | 1 |
| | 106-5270 | IGNITION KEY SET | 1 |
| SEAT | | | |
| | 131-6691 | SEAT COVER, LARGE | 1 |
| | 137-1312 | MESH SEAT COVER, LARGE | 1 |
| OTHER | | | |
| | 136-1010** | GM 3280 MVP Seal Overhaul Rebuild Kit | A/R |
| | 233-70 | KNOB-STAR, FUEL TANK & CONTROL PANEL ASM | 1 |
| | 105-4320 | SWITCH - FUEL TANK AND CONTROL PANEL ASM (GM 3280D) | 1 |
| | 104-4246 | FAN - ENGINE | 1 |
| | 340-139 | FITTING - ELBOW 90 | 2 |
| | 353-781 | FITTING - ELBOW | 2 |
| | 2411-36 | BEARING - END, ROD | 1 |
| | 32144-4 | SCREW - HWH | 4 |
| | 3220-5 | NUT - JAM | 2 |
| | 3234-42 | SCREW - HHF | 2 |
| | 325-12 | SCREW - HH | 2 |
| | 325-13 | SCREW - HH | 2 |
| | 3256-28 | WASHER - FLAT | 1 |
| | 98-1471 | WHEEL - STEERING | 1 |
| | 93-9999 | SWITCH - PTO | 1 |
| | 121-3874 | CASTOR WRENCH ASM | 1 |

GROUNDMASTER

GROUNDMASTER® 3000 / 3000D / 3280D / 3320



Cutting Unit Caster & Roller Parts

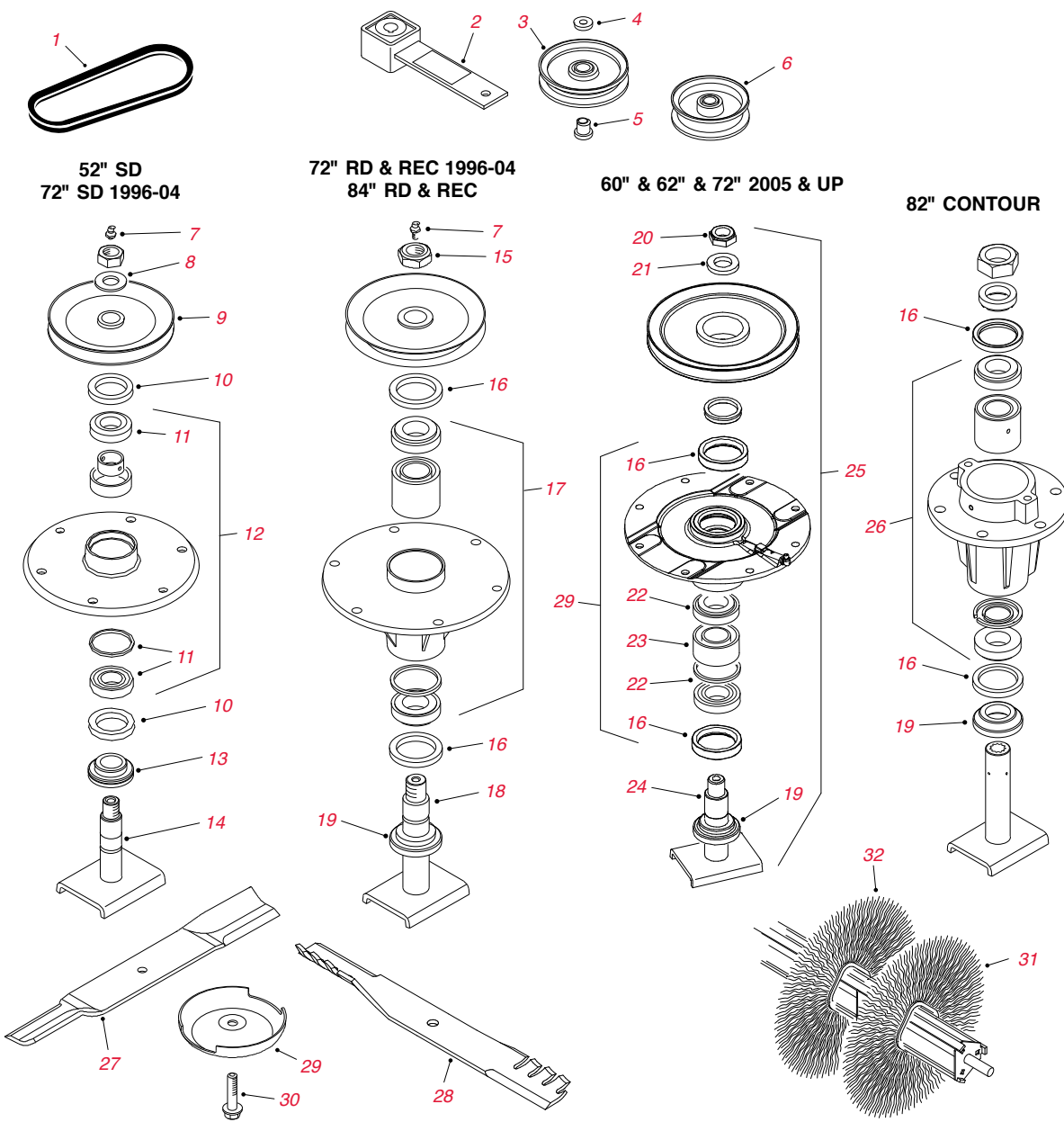
| Ref. No. | Part No. | Description | Qty. |
|----------|------------------|---|------------|
| 1 | 283-71 | LYNCH PIN | 2 |
| 2 | 3-6781 | THRUST WASHER | 8 |
| 3 | 94-1291 | BUSHING - FLANGE | 4 |
| 4 | 302-5 | FITTING - GREASE | 2 |
| 5 | 68-8900-01 | CASTER FORK | 2 |
| 6 | 32153-6 | LOCKNUT | 2 |
| 7 | 328-9 | CAP SCREW | 2 |
| 8 | 3256-6 | WASHER - FLAT | 2 |
| 9 | 68-8980 | SPANNER | 1 |
| 10 | 62-5570 | BEARING - ROLLER | 1 |
| 11 | 68-8930 | WHEEL HALF - MALE | 2 |
| 12 | 68-8960 | TIRE | 1 |
| 13 | 68-8950 | INNER TUBE | 2 |
| 14 | 68-8920 | WHEEL HALF - FEMALE | 2 |
| 15 | 68-8940 | HUB - CENTER | 2 |
| 16 | 62-5580 | BUSHING - FLANGE | 2 |
| 17 | 3219-2 | NUT - HEX | 8 |
| 18 | 3253-4 | WASHER - LOCK | 8 |
| 19 | 68-8970** | Caster Wheel MVP Kit (52" Side Discharge) | 2 |
| * | 95-3077** | Caster Wheel MVP Kit (2 Caster Wheels 68-8970) | A/R |
| 20 | 69-1510 | SPACER | 24 |
| 21 | 69-6860 | WASHER - THRUST | 8 |
| 22 | 69-6470 | BUSHING - FLANGE | 8 |
| 23 | 104-0762-01 | CASTER FORK | 2 |

Cutting Unit Caster & Roller Parts - continued

| Ref. No. | Part No. | Description | Qty. |
|----------|-------------------|--|------------|
| 24 | 3296-53 | NUT - HEX | 1 |
| 25 | 327-24 | SCREW - HEX HD | 1 |
| 26 | 93-4237 | ORDER 120-5378 | 1 |
| 26 | 120-5378 | BEARING | 2 |
| 27 | 93-4241 | SPACER | 1 |
| 28 | 93-5980 | HUB | 1 |
| 29 | 93-4239 | RIM HALF | 1 |
| 30 | 93-4243 | 10" TIRE | 1 |
| 30 | 93-9939 | 8" TIRE | 1 |
| 31 | 93-4244 | 10" INNER TUBE | 1 |
| 31 | 68-8950 | 8" INNER TUBE | 1 |
| 32 | 95-2741 | RIM HALF | 1 |
| 33 | 93-4242 | PLATE | 1 |
| 34 | 32128-16 | NUT - LOCK | 4 |
| 35 | 93-9938 | 8" PNEUMATIC WHEEL ASSEMBLY | 2 |
| * | 110-4767** | 8" Caster Wheel MVP Kit (Incl #24, 25 & 35) | A/R |
| 35 | 93-4240 | 10" PNEUMATIC WHEEL ASSEMBLY | 1 |
| 36 | 27-1040 | SPACER - 1/4" | 2 |
| 37 | 63-0070 | SPACER - 1/2" | 5 |
| 38 | 93-4582 | SHAFT - CASTER | 2 |
| 39 | 93-4696 | PIN - SNAPPER | 2 |
| 40 | 93-4510 | BUSHING - FLANGE | 4 |
| 41 | 93-4824 | CASTER FORK | 2 |
| 42 | 93-4632 | WASHER - WAVE | 2 |
| 43 | 93-4628 | WASHER | 2 |
| 44 | 32120-84 | RING - RETAINING | 2 |
| 45 | 33118-140 | SCREW - HEX HD | 2 |
| 46 | 33028-00 | NUT - HEX | 2 |
| 47 | 29-4820 | ROLLER - SPHERICAL | 2 |
| 48 | 40-6400 | SHAFT - DOUBLE SPHERICAL ROLLER | 1 |
| 49 | 57-0690 | PIN | 1 |
| 50 | 3272-11 | PIN - COTTER | 3 |
| 51 | 36-1740 | ROLLER | 1 |
| 52 | 40-0340 | SHAFT - ROLLER | 1 |
| 53 | 68-6710 | ROLLER | 1 |
| 54 | 68-6840 | SHAFT - ROLLER | 1 |
| 55 | 93-4803 | ROLLER | 2 |
| 56 | 105-4549 | SPANNER | 2 |
| 57 | 322-29 | CAP SCREW | 2 |
| 58 | 104-8300 | NUT - LOCK | 2 |
| 59 | 93-4747 | GAGE WHEEL | 2 |
| 60 | 93-4764 | SPANNER | 2 |
| 61 | 93-4806 | BOLT - AXLE | 2 |
| 62 | 3296-19 | NUT - HEX | 2 |
| 63 | 40-6400 | ROLLER SHAFT | 1 |
| 64 | 68-2730 | ORDER 1-603299 | 2 |
| 64 | 1-603299 | GAGE WHEEL | 2 |
| 65 | 98-7912 | SPANNER | 1 |
| 66 | 98-7913 | SPACER | 2 |
| 67 | 323-23 | CAP SCREW | 1 |
| 68 | 32128-19 | NUT - LOCK | 1 |
| 69 | 57-0680 | ROLLER SHAFT | 1 |
| 70 | 92-9727 | CAP ASSEMBLY - HEIGHT OF CUT | 2 |
| * | 105-4320 | SWITCH (GM 3280D) | 1 |
| * | 92-8861 | CAP - HOC | 1 |
| * | 32136-2 | NUT - SHH | 1 |
| * | 3296-45 | NUT - LOCK, NI | 1 |
| * | 92-9726 | SPRING - COMPRESSION | 1 |
| * | 3296-51 | NUT - LOCK, NI | 1 |
| * | 92-8862 | HOC CAP ASM (3280/3320) | 1 |

GROUNDMASTER

GROUNDMASTER® 3000 / 3000D / 3280D / 3320



Cutting Unit Spindle & Spindle Drive Parts

| Ref. No. | Part No. | Description | Qty. |
|----------|------------|---|------|
| 1 | 27-1160 | BELT - SPINDLE DRIVE (52" SD) | 1 |
| 1 | 93-8457 | HEX BELT - SPINDLE DRIVE (72" SD & RD & GUARDIAN) | 3 |
| 1 | 93-4839 | V-BELT - WING DECK (84" RD & GUARDIAN) | 2 |
| 1 | 93-4838 | HEX BELT - CENTER DECK (84" RD & GUARDIAN) | 1 |
| 2 | 100-6178 | IDLER ARM ASSEMBLY (52" SD/72" SD 1996-04) | 1 |
| 3 | 65-5940 | IDLER PULLEY (52" SD/72" & 84" DECKS 1996-04) | 1 |
| 4 | 7-0081 | WASHER (REQUIRED WITH 65-5940) | 1 |
| 5 | 65-5950 | BUSHING (REQUIRED WITH 65-5940) | 1 |
| 6 | 69-5430-03 | PULLEY - IDLER (FLAT - 84" DECKS) | 1 |
| 7 | 302-2 | FITTING - GREASE | 1 |
| 8 | 7-4150 | WASHER | 1 |
| 9 | 27-0970-03 | PULLEY - SPINDLE (52" SD) | 1 |
| 10 | 253-139 | SPINDLE SEAL (52" SD) | 6 |

Cutting Unit Spindle & Spindle Drive Parts - continued

| Ref. No. | Part No. | Description | Qty. |
|----------|-------------------|---|------------|
| 11 | 27-0960 | SPINDLE BEARING (52" SD) | 3 |
| 12 | 46-8530 | SPINDLE BEARINGS & SPACERS SET (52" SD) | 3 |
| 14 | 27-0920 | SPINDLE SHAFT (52" SD) | 3 |
| 15 | 3296-49 | NUT - LOCK (72" DECKS) | 1 |
| 16 | 253-154 | SPINDLE SEAL | 2 |
| 17 | 71-2530 | SPINDLE BEARINGS & SPACERS SET (72" RD & GUARDIAN REC) | 1 |
| 17 | 93-4825 | SPINDLE BEARINGS & SPACERS SET (84" RD & GUARDIAN REC) | 1 |
| 18 | 85-6010 | SPINDLE SHAFT (72" RD & GUARDIAN REC) | 1 |
| 19 | 92-9800 | ORDER 69-6950 | 1 |
| 19 | 69-6950 | SPACER - SPINDLE SHAFT | 1 |
| 20 | 3296-60 | NUT - LOCK | 1 |
| 21 | 104-8322 | WASHER - HARDENED | 1 |
| 22 | 26-1830 | ORDER 110-8297 | 1 |
| 22 | 110-8297 | SPINDLE BEARING (60"/62"/72" DECKS) | 1 |
| 23 | 104-3549 | ORDER 120-5577 | 1 |
| 23 | 120-5577 | BEARING SPACER SET (62" & 72" RD & GUARDIAN REC) | 1 |
| 24 | 104-3554 | SPINDLE SHAFT (62" & 72" RD & GUARDIAN REC) | 1 |
| | 108-1957** | ORDER 119-4778 | |
| 25 | 119-4778** | Deck Spindle MVP Kit (Side Discharge) | A/R |
| | 104-3532** | ORDER 119-4776 | |
| 25 | 119-4776** | Deck Spindle MVP Kit (Rear Discharge & Guardian Recycler) | A/R |
| 26 | 93-4825 | SPINDLE BEARINGS & SPACERS SET | 1 |
| 29 | 72-9361 | CUP - ANTI-SCALP (ALL BUT 82" CONTOUR) | 3 |
| 30 | 92-5816 | BLADE BOLT | 3 |
| 31 | 94-7372 | BRUSH ELEMENT - POLY | 32 |
| 32 | 95-5942 | BRUSH ELEMENT - WIRE | 32 |
| 27 | 27-0990-03 | STANDARD BLADE - 18" (52" SD) | 3 |
| 27 | 44-5480 | HIGH SAIL BLADE - 18" (52" SD) | 3 |
| 27 | 110-4701 | STANDARD BLADE - 20.5" (60" SD) | 3 |
| * | 110-4770** | Medium Sail Blade & Belt MVP Kit (60" Side Discharge) | A/R |
| 27 | 110-4702-03 | HIGH SAIL BLADE - 20.5" (60" SD) | 3 |
| 27 | 92-5608-03 | STANDARD BLADE - 21.75" (62" RD & GUARDIAN REC) | 3 |
| * | 110-4768** | Standard Blade & Belt MVP Kit (62" RD & Guardian Recycler) | A/R |
| 27 | 104-4569-03 | STANDARD BLADE - 25" (72" SD 1996-04) | 3 |
| 27 | 110-0621-03 | STANDARD BLADE - 24.5" (72" SD 2005 & UP) | 3 |
| * | 110-4771** | Medium Sail Blade & Belt MVP Kit (72" Side Discharge) | A/R |
| 27 | 110-0622-03 | HIGH SAIL BLADE -25" (72" SD 2005 & UP) | 3 |
| 27 | 93-4982 | STANDARD BLADE - 25" (72" RD 1996-04) | 3 |
| 27 | 85-6040-03 | STANDARD BLADE - 25" (72" GUARDIAN REC 1996-04) | 3 |
| | 108-1958-03 | ORDER 121-5347-03 | 3 |
| 27 | 121-5347-03 | STANDARD BLADE - 25" (72" RD & GUARDIAN REC 2005 & UP) | |
| * | 110-4769** | Standard Blade & Belt MVP Kit (72" RD & Guardian Recycler) | A/R |
| 27 | 93-8409 | STANDARD BLADE - 22" (82" CONTOUR) | 5 |
| 27 | 86-0010-03 | STANDARD BLADE - 19" (84" RD & GUARDIAN REC) | 5 |
| 28 | 104-1301 | ATOMIC BLADE - 18" (52" SD) | 3 |
| * | 108-1477 | Blade Service Pack (6 BLADES 104-1301) | 1 |
| 28 | 110-4703-03 | ATOMIC BLADE - 20.5" (60" SD) | 3 |
| 28 | 104-1303 | ATOMIC BLADE - 21.75" (62" RD & GUARDIAN REC) | 3 |
| * | 106-0631 | Blade Service Pack (6 BLADES 104-1303) | 1 |
| 28 | 110-0624-03 | ATOMIC BLADE - 24.5" (72" SD 2005 & UP) | 3 |
| 28 | 106-4353-03 | ATOMIC BLADE - 25" (72" RD & GUARDIAN REC) | 3 |
| * | 108-1454 | Blade Service Pack (6 BLADES 106-4353-03) | 1 |
| 29 | 104-3552 | ORDER 119-4546 | 1 |
| 29 | 119-4546 | SPINDLE HOUSING ASSEMBLY | 1 |
| * | 108-1370 | GEARBOX REPLACEMENT KIT (3320/3280) | 1 |
| * | 108-1924 | SPACER - IDLER (GM 3280) | 1 |
| * | 93-4133 | SEAL - LIP (GM 3280) | 1 |
| * | 01-268-0160 | PULLEY - IDLER (3320/3280) | 2 |
| * | 105-2808 | END - ROD (3320/3280) | 2 |
| * | 110-9683 | SHAFT - REAR ROLLER | 1 |
| * | 86-5390 | SEAL KIT | 1 |

*Not illustrated. **Not sold separately. See pages 20-33 for kit contents. Prices subject to change without notice. Please see your Parts Catalog or Master Parts Viewer to ensure the correct part is ordered, as the part you need may not be listed above. toro.com/parts

GROUNDMASTER

GROUNDMASTER® 3500D / 3505D / 4000D / 4100D / 4500D / 4700D

Traction Unit Parts

| Part No. | Description | Qty. |
|----------------------------------|---|------|
| FILTERS | | |
| 30027** | 400 Hour Filter MVP Kit (GM 3500D/3505D - 2002-07) | A/R |
| 30058** | 400 Hour Filter MVP Kit (GM 3500D/3505D - 2008 -2012) | A/R |
| 30090** | 400 Hour Filter MVP Kit (GM 3500D 2012 & Up) | A/R |
| 30029** | 400 Hour Filter MVP Kit (GM 4000D/4100D - 2001-07) | A/R |
| 30056** | 400 Hour Filter MVP Kit (GM 4000D/4100D) | A/R |
| 30089** | 800 Hour Filter MVP Kit (T4i) | A/R |
| 30408** | 800 Hour Filter MVP Kit (T4F) | A/R |
| 99-8384 | ORDER 108-3841 | 1 |
| 104-5167 | ORDER 108-3841 | 1 |
| 108-3841 | FILTER - ENGINE OIL | 1 |
| 98-7431 | ORDER 104-5169 | 1 |
| 104-5169 | FILTER - ENGINE OIL (2001-08 - TURBO KUBOTA) | 1 |
| 115-8527 | ORDER 104-5169 | 1 |
| 98-9763 | ORDER 108-3810 | 1 |
| 108-3810 | AIR FILTER ELEMENT (GM 3500D 2000-04) | 1 |
| 108-3816 | ELEMENT - AIR CLEANER INNER | 1 |
| 108-3814 | ELEMENT - AIR CLEANER OUTER | 1 |
| 98-7612 | FILTER - FUEL, PLASTIC | 1 |
| 108-3828 | FILTER - FUEL, METAL | 1 |
| 98-9764 | ELEMENT - SEPARATOR (2001-2007) | 1 |
| 110-9049 | ELEMENT - SEPARATOR (2008 & UP) | 1 |
| 112-9140 | BIO-DIESEL FUEL FILTER KIT | 1 |
| 112-8400 | BIO-DIESEL FUEL PUMP KIT | 1 |
| 112-7836 | IN-LINE FUEL FILTER (BIO-DIESEL KIT) | 1 |
| 110-9015 | ELEMENT - SEPARATOR (BIO-DIESEL KIT) | 1 |
| 54-0110 | FILTER - HYDROSTATIC TRANSMISSION (GM 3500D 2000-01) | 1 |
| 86-3010 | FILTER - HYDROSTATIC TRANSMISSION | 1 |
| 94-2621 | FILTER - HYDRAULIC (MANIFOLD) | 1 |
| 75-1310 | FILTER - HYDRAULIC (PUMP) | 1 |
| 98-9493 | ELEMENT - BREATHER (GM 3500D/3505D) | 1 |
| 98-7419 | ELEMENT - BREATHER (GM 4000D/4100D/4500D/4700D) | 1 |
| 92-5821 | HEAD - FILTER (GM 3500/3505) | 1 |
| 93-2242 | FILTER - OIL (GM 4000D/4100D/4500D/4700D) | 1 |
| BELTS | | |
| 98-9676 | V-BELT - ALTERNATOR DRIVE (GM 3500D/3505D) | 1 |
| 99-3619 | V-BELT - HYDROSTAT DRIVE (GM 3500D/3505D) | 1 |
| 98-7705 | V-BELT - ALTERNATOR DRIVE (GM 4000D/4100D/4500D/4700D) | 1 |
| TIRES | | |
| 104-0451 | ORDER 117-5125 | 2 |
| 117-5125 | TIRE - FRONT (20 X 12 - 10) 4-PLY TURF-TRAC (3500D) | 2 |
| 99-5434 | TIRE - FRONT (26 X 12 - 12) 6-PLY MULTI-TRAC (4000D/4100D) | 2 |
| 100-6700 | ORDER 95-3465 | 2 |
| 95-3465 | TIRE - FRONT (29 X 124- 15) 6-PLY ULTRA-TRAC (4500D/4700D) | 2 |
| 95-8656 | ORDER 115-1572 | 2 |
| 115-1572 | TIRE - REAR (20 X 10 - 10) 4-PLY TURF-TRAC (3500D) | 2 |
| 94-5236 | TIRE - REAR (20 X 10 - 10) 6-PLY MULTI-TRAC (4000D/4100D) | 2 |
| 104-0451 | ORDER 117-5125 | 2 |
| 117-5125 | TIRE - REAR (20 X 12 - 10) 4-PLY TURF-TRAC (4500D/4700D) | 2 |
| 136-4442 | TIRE - FRONT (26 X 12 - 12) 6-PLY; HIGH TRACTION (GM 4000/4100) | 2 |
| 136-4440 | TIRE - REAR (20 X 10 - 10) 6-PLY; HIGH TRACTION (GM 4000/4100) | 2 |
| STARTER & ALTERNATORS | | |
| 98-9705 | STARTER (GM 3500D/3505D) | 1 |
| 100-9237 | STARTER (GM 4000D/4100D/4500D/4700D) | 1 |
| 131-6557 | ALTERNATOR (GM 3500D/3505D) | 1 |
| 98-7693 | ALTERNATOR (GM 4000D/4100D/4500D/4700D) | 1 |
| 117-5541 | ALTERNATOR - 60 AMP (4000D) | 1 |
| 106-5269 | IGNITION SWITCH ASM (4000/4100/4500/4700) | 1 |
| 106-5270 | IGNITION KEY SET (GM 4000/4100/4500/4700) | 1 |

Traction Unit Parts - continued

| Part No. | Description | Qty. |
|------------------------|--|------|
| HYDRAULIC MOTOR | | |
| 117-5141 | MOTOR - HYDRAULIC (GM 3500 /3505/4500/4700) | 1 |
| 110-8785 | MOTOR - HYDRAULIC CCW (GM 3500/3505) | 1 |
| 110-8786 | MOTOR - HYDRAULIC CW (GM 3500/3505) | 1 |
| 112-9916 | HYDRAULIC CYLINDER ASM (GM 3500/3505) | 1 |
| 104-4890 | PISTON PUMP ASM - HYDROSTAT (GM 3500/3505) | 1 |
| 117-5135 | RADIATOR ASM (GM 3500D/3505D 2000-2013) | 1 |
| 121-7856 | STEERING ARM ASM (GM 3500G) | 1 |
| 104-4840 | TANK-HYD, HYDRAULIC TANK ASM | 1 |
| 105-1214 | HOSE-HYD, HYDROSTAT ASM (GM 3500D/3505D) | 1 |
| 69-4320 | FITTING-HYD, 90 DEG (GM 3500D/3505D) | 1 |
| 125-1984 | SPACER, HYDRAULIC MOW CIRCUIT ASM | 5 |
| 100-3052 | PISTON MOTOR ASM (GM 4000D) | 2 |
| 100-4809 | HOSE - RADIATOR, LOWER (GM 3500D/3505D UP TO 2013) | 1 |
| 100-4876 | HOSE - HYD, ROTARY MOTOR (GM 3500D/3505D) | 1 |
| 100-4880 | HOSE - HYD, REAR LIFT ARM (GM 3500D) | 2 |
| 100-4891 | HOSE - HYD, REAR LIFT ARM (GM 3500D) | 1 |
| 100-5525 | HOSE ASM, HYDRAULIC (GM 4000D/4100D 2001-2009) | 1 |
| 100-5579 | HOSE ASM, HYDRAULIC (GM, 4000D/4100D) | 1 |
| 104-0402 | TUBE - HYD, REAR LIFT ARM (GM 3500D/3505D) | 1 |
| 104-0407 | HOSE - HYD, HYDRAULIC (GM 3500/3505) | 1 |
| 104-0454 | HOSE - RADIATOR, UPPER (GM 3500D/3505D 2000-2013) | 1 |
| 104-0764 | PISTON MOTOR ASM (GM 4000D/4100D) | 1 |
| 104-1080 | HOSE - HYD (GM 3500D/3505D) | 2 |
| 104-2260 | HOSE ASM, PTO HYDRAULIC (GM 4000D) | 1 |
| 104-2261 | HOSE ASM, PTO HYDRAULIC (GM 4000D) | 1 |
| 104-2263 | HOSE ASM, PTO HYDRAULIC (GM 4000D) | 4 |
| 104-2265 | HOSE - HYD, PTO HYDRAULIC (GM 4000D) | 2 |
| 104-3502 | HOSE ASM (GM 4000D/4100D 2001-2014) | 1 |
| 104-5464 | HOSE - HYD (GM 4500D/4700D) | 2 |
| 104-5483 | HOSE - HYD, HYDRAULIC LINE (GM 4500D/4700D) | 2 |
| 104-5500 | HOSE - HYD, HOSE INSTALLATION (GM 4500D/4700D) | 2 |
| 104-5501 | HOSE - HYD, HOSE INSTALLATION (GM 4500D/4700D) | 4 |
| 104-5502 | HOSE - HYD, HOSE INSTALLATION (GM 4500D/4700D) | 1 |
| 104-5504 | HOSE - HYD, HOSE INSTALLATION (GM 4500D/4700D) | 1 |
| 104-5505 | HOSE - HYD, HOSE INSTALLATION (GM 4500D/4700D) | 1 |
| 104-5511 | HOSE - HYD, HOSE INSTALLATION (GM 4500D/4700D) | 2 |
| 104-5512 | HOSE - HYD, HOSE INSTALLATION (GM 4500D/4700D) | 2 |
| 105-0775 | STEERING CYLINDER ASM (GM 4000D/4100D) | 1 |
| 105-1212 | HOSE - HYD (GM 3500D) | 1 |
| 105-1213 | HOSE - HYD (GM 3500D/3505D) | 1 |
| 105-1215 | HOSE - HYD (GM 3500D/3505D) | 2 |
| 105-1216 | HOSE - HYD (GM 3500D/3505D) | 2 |
| 105-1218 | PISTON MOTOR ASM (GM 4500D/4700D) | 2 |
| 105-1219 | HYD MOTOR ASM (GM 4500D/4700D) | 1 |
| 105-3985 | HOSE - HYD, PUMP INSTALLATION (GM 4000D/4100D/4500D/4700D) | 1 |
| 105-7927 | HOSE - HYD (GM 4000D/4100D/4500D/4700D) | 1 |
| 105-9238 | HOSE - HYD (GM 4500D/4700D) | 4 |
| 105-9817 | HOSE - HYD (GM 4500D/4700D) | 1 |
| 107-0204 | HOSE ASM (GM 4000D/4100D 2001-2009) | 1 |
| 107-0222 | HOSE ASM (GM 4100D 2003-2014) | 2 |
| 107-0244 | RADIATOR (GM 4000D/4100D) | 1 |
| 107-4303 | HYD CYLINDER ASM (GM 4000D) | 2 |
| 107-4304 | HYD CYLINDER ASM (GM 4000D) | 2 |

GROUNDMASTER

GROUNDMASTER® 3500D / 3505D / 4000D / 4100D / 4500D / 4700D

Traction Unit Parts - continued

| Part No. | Description | Qty. |
|-------------------------------------|---|------|
| HYDRAULIC MOTORS – continued | | |
| 108-9036 | HYD GEAR PUMP ASM (GM 3500/3505) | 1 |
| 114-3831 | HOSE - RADIATOR, UPPER (GM 4000D/4100D/4500D/4700D) | 1 |
| 114-3832 | HOSE - RADIATOR, LOWER (GM 4000D/4100D/4500D/4700D) | 1 |
| 120-8802 | HYD CYLINDER ASM (GM 4000D 2013 & UP) | 2 |
| 120-8959 | HOSE - HYD (GM 4000D 2013 & UP) | 2 |
| 92-7534 | HOSE - HYD (GM 4500D/4700D) | 1 |
| 92-7536 | HOSE - HYD, RADIATOR (GM 3500/3505/4500D/4700D) | 1 |
| 92-7539 | HOSE - HYD, HYDRAULIC STEERING (GM 4000D/4100D/4500D/4700D) | 1 |
| 95-8843 | HOSE - HYD, FRONT DECK (GM 3500D/3505D/4100D) | 1 |
| 95-8933-03 | PLATE - MOUNT, PUMP (GM 3500D/3505D) | 1 |
| 99-3620 | PULLEY - 3V, PUMP (GM 3500D/3505D) | 1 |
| 99-3624 | SHAFT - PIVOT, IDLER (GM 3500D/3505D) | 1 |
| 80-7342 | HOSE - HYD (GM 3500/3505) | 1 |
| 104-0487 | HOSE - HYD (GM 3500/3505) | 1 |
| 104-0405 | HOSE - HYD (GM 3500) | 1 |
| 104-0406 | HOSE - HYD (GM 3500) | 1 |
| 115-3771 | HOSE ASM (GM 4000/4100 2009-2014) | 2 |
| 115-8484 | HYD HOSE ASM (GM 4000/4100) | 1 |
| 115-8483 | HYD HOSE ASM (GM 4000/4100 2009-2014) | 1 |
| 114-3837 | HOSE ASM (GM 4000/4100 2009-2014) | 1 |
| 104-2264 | HOSE ASM (GM 4000/4100 2001-2008) | 1 |
| 104-2235 | HOSE ASM (GM 4000/4100) | 1 |
| SEAT | | |
| 131-6691 | SEAT COVER, LARGE | 1 |
| 137-1312 | MESH SEAT COVER, LARGE | 1 |
| OTHER | | |
| 104-0462 | HUB WHEEL - SPACER (GM3500D/3500G) | 1 |
| 117-5129 | REAR FORK AND TIRE ASM (GM 3500 2010 & UP) | 1 |
| 70-9870 | PLATE-BACKING | 1 |
| 104-4809 | DRUM-BRAKE | 1 |
| 107-7828 | REAR CASTING ASM (GM 3500/3505) | 1 |
| 95-8783 | TUBE ASM, FRONT WHEEL & BRAKE ASM (GM 3500D/3505D) | 1 |
| 95-8784 | TUBE ASM, FRONT WHEEL & BRAKE ASM (GM 3500D/3505D) | 2 |
| 87-3470 | BUMPER (GM 4500D/4700D) | 1 |
| 117-5115 | HUB & BEARING ASM (GM 3505D) | 1 |
| 104-4817 | LEVER-BRAKE (GM 3500D/3505D) | 1 |
| 104-0485-03 | SHIELD-WHEEL (GM 3500D/3505D) | 1 |
| 3274-99 | SCREW-HSH, FRONT WHEEL & BRAKE ASM | 1 |
| 100-4929 | SLOPE INDICATOR ASM (GM 3500) | 1 |
| 106-4154 | FLOORPLATE ASM (GM 3500/3505) | 1 |
| 104-4852-03 | PEDAL-TRACTION, TRACTION PEDAL ASM (GM 3500/3505) | 1 |
| 95-8990 | SHAFT-PIVOT REAR, REAR LIFT ARM ASM (GM 3500/3505) | 1 |
| 108-0638 | BOTTLE-OVERFLOW (GM 3500D/3505D) | 1 |
| 99-3623-03 | ARM-IDLER (GM 3500) | 1 |
| 233-70 | KNOB-STAR, FUEL TANK & COTNROL PANEL ASM | 1 |
| 99-3478 | TREAD-FOOT, (GM 3500D/3505D), FRONT PLATFORM ASM | 1 |
| 95-8689 | SINGLE SPOOL CONTROL VALVE ASM (GM 3505D) | 1 |
| 95-8575 | PIN, CARRIER ASM (GM 3500/3505) | 5 |
| 104-0422 | NEUTRAL ARM ASM (GM 3500/3505) | 1 |
| 100-1535 | SWITCH (GM 4000/4100/4500/4700) | 1 |
| 100-3069 | RH BRAKE ASM (GM 4100D) | 1 |
| 100-3070 | LH BRAKE ASM (GM 4100D) | 1 |
| 100-3795 | BALL JOINT (GM 4000/4100/4500/4700) | 1 |
| 100-4810 | MUFFLER (GM 3500D/3505D 2000-2013) | 1 |
| 100-4939-03 | CARRIER - SIDEWINDER (GM 3500) | 1 |
| 100-4890 | FITTING - CHECK | 1 |
| 100-9333 | GASKET - MUFFLER (GM 4000D/4100D/4500D/4700D) | 1 |
| 104-3563 | INDICATOR (GM 4100D) | 1 |
| 104-4853-03 | SCREEN HOOD (GM 3500) | 1 |
| 104-5190-03 | PANEL - CONTROL (GM 3500) | 1 |

Traction Unit Parts - continued

| Part No. | Description | Qty. |
|--------------------------|---|------|
| <i>OTHER - continued</i> | | |
| 104-7547 | CABLE - THROTTLE (GM 4000D/4100D/4500D/4700D 2001-2009) | 1 |
| 105-0750 | FAN (GM 4000D/4100D/4500D/4700D) | 1 |
| 105-8536-01 | ARM - STEERING (GM 3500D) | 1 |
| 110-6129 | IDLER ARM ASM (GM 4000/4100) | 1 |
| 110-8787 | FRONT CARRIER FRAME ASM (GM 3500) | 2 |
| 114-3825 | FAN (GM 4000D/4100D/4500D/4700D) | 1 |
| 114-3848 | COUPLER - SPRING, FLYWHEEL (GM 4500/4700) | 1 |
| 114-3849 | MUFFLER - TURBO (GM 4000D/4100D/4500D/4700D 2009-2011) | 1 |
| 115-3453 | CARRIER FRAME ASM (GM 4500/4700) | 7 |
| 115-3461 | LH LIFT ARM ASM (GM 3500) | 1 |
| 115-3462 | RH LIFTARM ASM (GM 3500) | 1 |
| 115-3465 | LH SHORT LIFTARM ASM (GM 3500/3505) | 1 |
| 115-3473 | REAR LIFTARM ASM (GM 3500/3505) | 1 |
| 119-0084 | CONTROL - THROTTLE (GM 4000D/4100D) | 1 |
| 119-0116-03 | MOUNT - BUMPER, RH (GM 4000 2010-2014) | 1 |
| 119-0117-03 | MOUNT - BUMPER, LH (GM 4000D 2010-2014) | 1 |
| 119-0118 | PAD - BUMPER (GM 4000D 2010-2014) | 10 |
| 119-3871 | RADIATOR (GM 4000D/4100D/4500D/4700D) | 1 |
| 119-5298 | DOUBLE - DRIVEN SPINDLE (GM 4100D) | 1 |
| 119-6968 | DIPSTICK - OIL | 1 |
| 127-3741 | CASTOR ARM ASM KIT (GM 4000/4100) | 1 |
| 127-6427 | LIFT CYLINDER ASM (GM 4500D/4700D) | 1 |
| 127-6428 | LIFT CYLINDER ASM (GM 4500/4700) | 1 |
| 130-7944 | VALVE - CONTROL, STEERING (GM 4010) | 1 |
| 132-9421 | PULLEY - IDLER, FLAT (GM 4000D/4100D) | 2 |
| 340-139 | FITTING - ELBOW 90 (GM 3500D/3505D/4000D/4100D/4500D/4700D) | 2 |
| 353-781 | FITTING - ELBOW (GM 3500D/3505D/4000D/4100D/4500D/4700D) | 2 |
| 53-9682 | MOUNT - ENGINE (GM 4000D/4100D/4500D/4700D) | 4 |
| 75-0560 | STEERING WHEEL ASM (GM 3500D/3505D) | 1 |
| 92-7538 | HOSE ASM, STEERING HYDRAULIC (GM 4000D/4100D) | 1 |
| 94-8141 | HYD CYLINDER ASM (GM 3500) | 1 |
| 95-8581 | 2-SPOOL CONTROL VALVE ASM (GM 3500/3505) | 1 |
| 95-8796-03 | SUPPORT - BATTERY (GM 3500/3505A) | 1 |
| 95-8854 | CABLE - BATTERY, NEGATIVE | 1 |
| 95-8884 | CLAMP (GM 3500) | 4 |
| 95-8971 | GAUGE - FUEL (GM 3500/3505) | 1 |
| 98-1471 | WHEEL - STEERING | 1 |
| 99-5501 | BRAKE CABLE ASM (GM 4000D/4100D 2001-2009) | 2 |
| 321-10 | SCREW - HH, PARKING BRAKE | 1 |
| 32144-1 | SCREW - TAPTITE (GM 3500D) | 4 |
| 104-4855-03 | FRAME - RADIATOR (GM 3500/3505 2002-2013) | 1 |
| 119-0089 | LH LIFT ARM ASM (GM 4000/4010 2010-2016) | 1 |
| 119-0087 | RH LIFT ARM ASM (GM 4000/4100 2010-2016) | 1 |
| 127-3731 | FRONT LH CASTOR ARM ASM (GM 4000/4010) | 1 |
| 127-3721 | FRONT RH CASTOR ARM ASM (GM 4000/4010) | 1 |
| 117-2376 | CABLE - BATTERY, POSITIVE (GM 4500/4700 2009-2014) | 1 |
| 95-9648 | KNOB (GM 4000/4100) | 4 |
| 100-8148-03 | MOUNT - RH (GM 4000/4010) | 1 |
| 32121-3 | PIN - SPRING (GM 3500/3505/4500/4700) | 1 |
| 340-6 | FITTING - STRAIGHT (GM 4000/4100) | 1 |

GROUNDMASTER

GROUNDMASTER® 3500D / 3505D / 4000D / 4100D / 4500D / 4700D TIER4 MODELS

Traction Unit Parts

| | Part No. | Description | Qty. |
|-----------------|---|---|------------|
| FILTERS | | | |
| | 30408** | 800-Hour MVP Kit, GM 4000/4100/4500/4700 (2013 & Up) | A/R |
| | 108-3811 | FILTER-AIR (GM 3505D) | 1 |
| | 110-9049 | FILTER-SPIN ON (GM 3505D) | 1 |
| | 86-3010 | FILTER-OIL (GM 3505D) | 1 |
| | 108-3814 | FILTER-AIR (GM 4000D/4010D/4100D/4110D/4500D/4700D) | 1 |
| | 108-3816 | FILTER-AIR (GM 4000D/4010D/4100D/4110D/4500D/4700D) | 1 |
| | 125-7025 | FILTER (GM 4000D/4010D/4100D/4110D/4500D/4700D) | 1 |
| | 125-2915 | FILTER-SPIN ON (GM 4000D/4010D/4100D/4110D/4500D/4700D) | 1 |
| | 125-8752 | FILTER-FUEL (GM 4000D/4010D/4100D/4110D/4500D/4700D) | 1 |
| | 127-3075 | FILTER ASM (GM 4000D/4010D/4100D/4110D/4500D/4700D) | 1 |
| | 75-1310 | FILTER-HYD (GM 4000D/4010D/4100D/4110D/4500D/4700D) | 1 |
| | 94-2621 | ELEMENT-FILTER (GM 4000D/4010D/4100D/4110D/4500D/4700D) | 1 |
| | 125-2914 | SEPARATOR FILTER ASM (GM 4000D/4010D/4100D/4110D/4500D/4700D) | 1 |
| | 92-5821 | HEAD - FILTER (GM 3500D/3505D) | 1 |
| BELTS | | | |
| | 104-3494 | V-BELT (GM 3505D) | 1 |
| | 120-3351 | 3V-BELT (GM 3505D) | 1 |
| | 108-8076 | V-BELT, DECK (GM 4000D/4010D) | 1 |
| | 127-2998 | V-BELT (GM 4000D/4010D/4500D/4700D) | 1 |
| | 108-8077 | V-BELT, DECK (GM 4100D/4110D) | 1 |
| | 127-2998 | V-BELT (GM 4100D/4110D) | 1 |
| BEARINGS | | | |
| | See Quick Reference Guide for detailed information on bearing replacements for this model. Page 30-38 | | |
| | 112-5290 | BEARING-STEEL, STAINLESS (GM 3505D) | 1 |
| | 120-3366 | BEARING (GM 3505D) | 1 |
| | 251-259 | BEARING-BALL (GM 3505D) | 1 |
| | 251-259 | BEARING-BALL (GM 3505D) | 1 |
| | 254-94 | BEARING-CONE, TAPERED (GM 3505D) | 1 |
| | 254-72 | BEARING-CUP, TAPERED (GM 3505D) | 1 |
| | 105-8118 | BEARING-CONE (GM 4000D/4010D/4100D/4110D/4500D/4700D) | 1 |
| | 105-8120 | BEARING-CONE (GM 4000D/4010D/4100D/4110D/4500D/4700D) | 1 |
| | 110-8297 | BEARING ASM (GM 4000D/4010D/4100D/4110D) | 1 |
| | 120-3366 | BEARING (GM 4000D/4010D/4100D/4110D/4500D/4700D) | 1 |
| | 125-5279 | BEARING-ROLLER (GM 4000D/4010D/4100D/4110D/4500D/4700D) | 1 |
| | 125-7249 | BEARING, BALL (GM 4000D/4010D/4100D/4110D/4500D/4700D) | 1 |
| | 125-7251 | BEARING-BALL (GM 4000D/4010D/4100D/4110D/4500D/4700D) | 1 |
| | 125-7252 | BEARING-BALL (GM 4000D/4010D/4100D/4110D/4500D/4700D) | 1 |
| | 125-7253 | BEARING-BALL (GM 4000D/4010D/4100D/4110D/4500D/4700D) | 1 |
| | 127-2958 | BEARING-BALL (GM 4000D/4010D/4100D/4110D/4500D/4700D) | 1 |
| | 127-2983 | BEARING-BALL (GM 4000D/4010D/4100D/4110D/4500D/4700D) | 1 |
| | 119-8558 | BEARING-BALL (GM 4000D/4010D/4100D/4110D/4500D/4700D) | 1 |
| | 99-7532 | BEARING-ROLLER, TAPER (GM 4000D/4010D/4100D/4110D/4500D/4700D) | 1 |
| | 99-7534 | BEARING-BALL (GM 4000D/4010D/4100D/4110D/4500D/4700D) | 1 |
| | 93-7775 | BEARING-BALL (GM 4000D/4010D/4100D/4110D/4500D/4700D) | 1 |
| | 99-7570 | BEARING-ROLLER, TAPER (GM 4000D/4010D/4100D/4110D/4500D/4700D) | 1 |
| | 105-7441 | BEARING-SPHERICAL (GM 4100D/4110D) | 1 |
| | 112-5290 | BEARING-STEEL, STAINLESS (GM 4500D/4700D) | 1 |
| | 105-4552 | BEARING-PLASTIC (GM 4000D) | 2 |
| | 2411-36 | BEARING-END, ROD (GM 4000D/4100D/4500D/4700D) | 1 |
| TIRES | | | |
| | 115-1572 | TIRE-REAR (20 X 10 - 10) 4-PLY TURF-TRAC(GM 3505D/4500D/4700D) | 2 |
| | 119-8313 | TIRE (GM 4000D/4010D/4100D/4110D) | 2 |
| | 120-8910 | TIRE-OFF ROAD (GM 4000D/4010D/4100D/4110D) | 2 |
| | 93-9939 | TIRE (GM 4000D/4010D/4100D/4110D) | 2 |
| | 119-0023 | TIRE (GM4500D/4700D) | 2 |
| | 136-4442 | TIRE - FRONT (26 X 12 - 12) 6-PLY; HIGH TRACTION (GM 4000/4100) | 2 |
| | 136-4440 | TIRE - REAR (20 X 10 - 10) 6-PLY; HIGH TRACTION (GM 4000/4100) | 2 |
| | 136-7963 | TIRE ASM (GM 4300) | 2 |

Traction Unit Parts - continued

| | Part No. | Description | Qty. |
|----------------------------------|-------------|--|------|
| STARTER & ALTERNATORS | | | |
| | 131-6557 | ALTERNATOR ASM (GM 3505D) | 1 |
| | 98-9705 | STARTER ASM (GM 3505D) | 1 |
| | 125-7003 | STARTER (GM 4000D/4010D/4100D/4110D/4500D/4700D) | 1 |
| | 117-5135 | RADIATOR ASM (GM 3500D/3505D 2000-2013) | 1 |
| | 127-3694 | GEAR MOTOR ASM (GM 4000D/4100D/4010D/4110D) | 1 |
| | 104-4890 | PISTON PUMP ASM - HYDROSTAT (GM 3500/3505) | 1 |
| SEAT | | | |
| | 104-4620 | SEAT-STD | 1 |
| | 92-8991 | ADJUSTER - SEAT | 1 |
| | 131-6691 | SEAT COVER, LARGE | 1 |
| | 137-1312 | MESH SEAT COVER, LARGE | 1 |
| | 108-1757 | COVER - SEATBASE | 1 |
| OTHER | | | |
| | 115-5305 | CAP-FUEL (GM 4000D/4010D/4100D) | 1 |
| | 108-0638 | BOTTLE-OVERFLOW (GM 3500D/3505D) | 1 |
| | 104-0462 | HUB WHEEL - SPACER (GM3500D) | 1 |
| | 95-8905-01 | FORK - REAR (GM 3500D/3505D) | 1 |
| | 3274-105 | SCREW-HSBH, FRONT WHEEL & BRAKE ASM (GR3500D) | 1 |
| | 107-7828 | REAR CASTING ASM (GM 3500/3505) | 1 |
| | 100-4815 | CABLE-CONTROL, TRACTION (GM 3500D/3500G/3505) | 1 |
| | 114-8119 | STEERING VALVE ASM (GM 4500/4700) | 1 |
| | 100-3069 | RH BRAKE ASM (GM 4000D/4500D/4700D) | 1 |
| | 100-3070 | LH BRAKE ASM (GM 4000D/4500D/4700D) | 1 |
| | 104-0400 | TUBE ASM, HYDRAULIC (GM 3500/3505) | 1 |
| | 104-0403 | TUBE ASM, REAR LIFT ARM (GM 3500/3505) | 1 |
| | 104-3563 | INDICATOR (GM 4000D/4500D/4700D) | 1 |
| | 104-4246 | FAN- ENGINE (GM 3500D/3505D) | 1 |
| | 106-9288 | SENSOR - PROXIMITY, FERROUS (GM 4500D/4700D) | 2 |
| | 107-0244 | RADIATOR (GM 4500/4700) | 1 |
| | 110-6129 | IDLER ARM ASM (GM 4000) | 1 |
| | 110-8795 | CABLE - THROTTLE (GM 3500D/3505D) | 1 |
| | 114-2726 | LEVER - BRAKE (GM 3500/3505) | 2 |
| | 105-0750 | FAN (GM 4000D/4500D/4700D) | 1 |
| | 115-3488 | SPRING - TORSION, HYDROSTAT (GM 3500D/3505D) | 1 |
| | 105-9202 | NO. 2 LIFT ARM ASM (GM 4500/4700) | 1 |
| | 105-9203 | NO. 3 LIFT ARM ASM (GM 4500/4700) | 1 |
| | 108-4033 | NO. 4 LIFT ARM ASM (GM 4500/4700) | 1 |
| | 120-4132-01 | CHAMBER - OUTER (GM 4000D 2012-2015) | 1 |
| | 120-8879 | LH LIFT ARM ASM (GM 4000D 2013 & UP) | 1 |
| | 121-1720-01 | BRACKET - FORK (GM 4000D) | 2 |
| | 121-3882 | SHAFT - PIVOT, LIFT ARM (GM 4000D) | 2 |
| | 125-1906 | PIN - CYLINDER, FRONT LIFT ARM (GM 4500D/4700D) | 3 |
| | 127-3741 | CASTOR ARM ASM KIT (GM 4000D) | 1 |
| | 32121-110 | PIN - ROLL, SLOTTED (GM 4500D/4700D) | 3 |
| | 32144-4 | SCREW - HWH, AIR CLEANER (GM 3500D/3505D) | 4 |
| | 3234-42 | SCREW - HHF, FUEL TANK (GM 4500D/4700D) | 2 |
| | 3256-28 | WASHER - FLAT, LIFT ARM (GM 4700D) | 2 |
| | 3296-51 | NUT - LOCK, NI, FRONT LIFT ARM (GM 4500D/4700D) | 4 |
| | 74-1810 | WASHER, HYDROSTAT (GM 3500D/3505D) | 1 |
| | 92-2739 | PIN - CLEVIS, LIFT ARM (GM 4000D) | 1 |
| | 95-7158 | PIN - PIVOT, LIFT ARM (GM 4500D/4700D) | 3 |
| | 95-8796-03 | SUPPORT - BATTERY (GM 3500D/3505D) | 1 |
| | 95-8803 | BUSHING - FLANGE, ROTARY MOTOR (GM 3500D/3505D) | 6 |
| | 95-8854 | CABLE - BATTERY, NEGATIVE (GM 3500D/3505D) | 1 |
| | 99-3641 | CLAMP - TUBE, LIFT ARM (GM 3500D/3505D) | 2 |
| | 95-8904-03 | BRACKET - CLAMP, CARRIER (GM 3505) | 1 |
| | 99-3373 | BAR - SUPPORT SLIDE, CARRIER (GM 3505) | 2 |
| | 104-0401 | TUBE - ASM, REAR LIFT ARM (GM 3505) | 1 |
| | 104-0404 | TUBE - ASM, REAR LIFT ARM (GM 3505) | 1 |
| | 104-4836 | FITTING - TEE (GM 3500) | 1 |
| | 340-68 | FITTING - TEE BULKHEAD | 2 |
| | 353-979 | FITTING - STRAIGHT (GM 3500) | 1 |
| | 100-1535 | SWITCH | 1 |

*Not illustrated. **Not sold separately. See pages 20-33 for kit contents. Prices subject to change without notice. Please see your Parts Catalog or Master Parts Viewer to ensure the correct part is ordered, as the part you need may not be listed above. toro.com/parts

GROUNDSMASTER

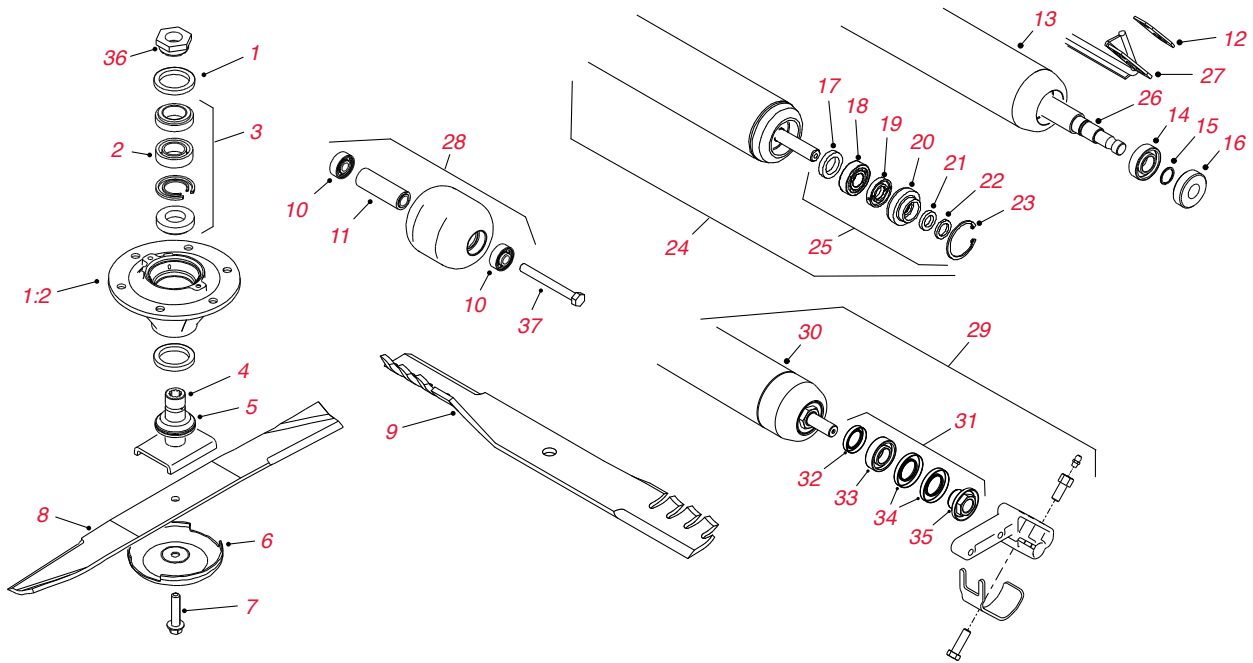
GROUNDSMASTER® 3500D / 3505D / 4000D / 4100D / 4500D / 4700D TIER4 MODELS

Traction Unit Parts - continued

| | Part No. | Description | Qty. |
|------------------------------------|-------------|--|------|
| OTHER - <i>continued</i> | 95-8568-03 | FRAME - LOWER (GM 3500/3505) | 1 |
| | 104-4834 | MUFFLER (GM 3500/3505) | 1 |
| | 108-4034 | NO. 5 LIFT ARM ASM (GM 4500/4700 2005 & UP) | 1 |
| | 108-4032 | NO. 1 LIFT ARM ASM (GM 4500/4700 2007 & UP) | 1 |
| | 120-8878 | RH LIFT ARM ASM (GM 4000 2013 & UP) | 1 |
| | 99-3626 | PULLEY (GM 3500) | 1 |
| | 120-8988 | HOSE - HYD (GM 4000/4010 2013 & UP) | 1 |
| | 107-4349-03 | MOUNT - DECK, LH (GM 4000/4010) | 1 |
| | 120-8987 | HOSE - HYD (GM 4000/4010 2013 & UP) | 1 |
| | 120-8987 | HOSE - HYD (GM 4100/4110 2013 & UP) | 2 |
| | 117-2364 | HUB - FAN (GM 4000/4010/4100/4110/4500/4700 2009 & UP) | 1 |
| | 100-4348-03 | MOUNT - ENGINE (GM 3500) | 1 |
| | 108-4022 | SHAFT - CARRIER, PIVOT (GM 4700 2005 & UP) | 2 |
| | 104-2281 | SHAFT - PIVOT (GM 4000/4010 2001-2016) | 2 |
| | 86-5390 | SEAL KIT (GM 3500/3505) | 1 |
| | 107-1977 | SEAL KIT (GM 4500/4700) | 1 |
| | 105-9823 | BUSHING - CARRIER (GM 4500/4700) | 6 |
| | 112-9919 | STOP - CABLE, THROTTLE | 1 |
| | 256-304 | WASHER - THRUST (GM 4000/4010) | 4 |
| | 121-3874 | CASTOR WRENCH ASM (GM 4000/4010/4100/4110) | 1 |
| | 104-0417 | SLIDE - PLASTIC (GM 3500) | 2 |
| | 117-9507 | PEDAL - ACCELERATOR (GM 4500/4700) | 1 |
| | 104-0720 | SPACER (GM 4000/4010) | 2 |
| | 104-4828-03 | BRACKET - ACTUATOR (GM 3500/3505) | 2 |
| | 104-0108 | U-BOLT (GM 4000/4010/4100/4110) | 2 |
| | 323-52 | SCREW - HH (GM 3500/3505) | 6 |

GROUNDMASTER

GROUNDMASTER® 3500D / 3505D / 4500D / 4700D



27" Cutting Unit Parts

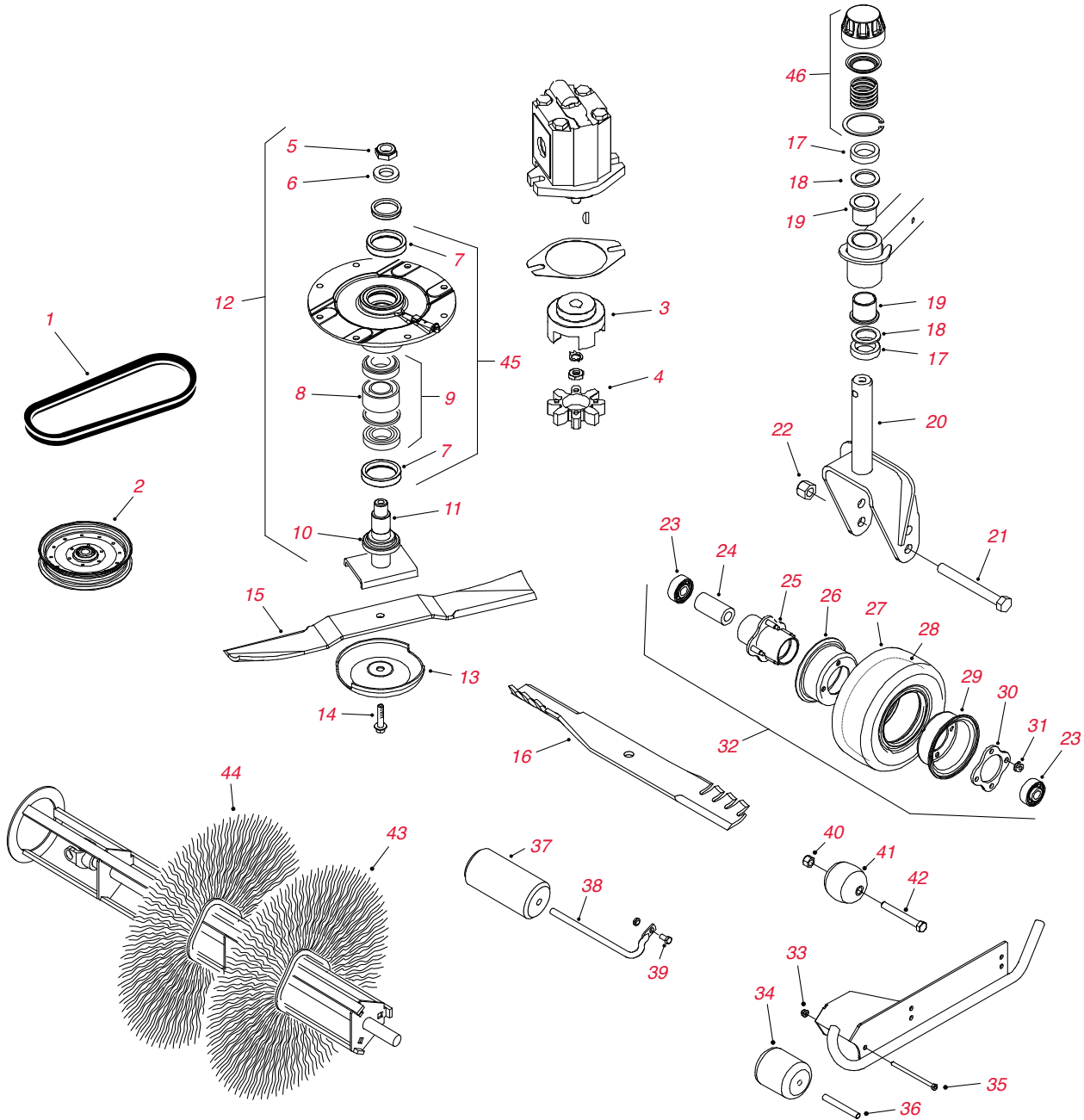
| Ref. No. | Part No. | Description | Qty. |
|----------|-------------------|--|------------|
| * | 115-3435 | SPINDLE ASM | 1 |
| 1 | 253-154 | SPINDLE SEAL | 2 |
| 1:2 | 115-3434 | SPINDLE | 1 |
| 2 | 100-5704 | BEARING SPACER SET | 1 |
| 3 | 100-5703 | SPINDLE BEARINGS & SPACERS SET | 1 |
| 4 | 100-5705 | SPINDLE SHAFT | 1 |
| 5 | 69-6950 | SPINDLE SPACER | 1 |
| * | 115-3435 | Spindle Kit | |
| 6 | 72-9361 | CUP - ANTI-SCALP | 1 |
| 7 | 92-5816 | BOLT - BLADE | 1 |
| 8 | 100-5754-03 | ORDER 105-9810-03 | 1 |
| 8 | 105-9810-03 | STANDARD BLADE - 27" (2000-05) | 1 |
| 8 | 105-4089 | ORDER 104-5183 | 1 |
| 8 | 104-5183 | HIGH SAIL BLADE - 27" (2000-05) | 1 |
| 8 | 108-9026-03 | COMBINATION BLADE - 27" (2006 & UP) | 1 |
| 9 | 107-0235-03 | ATOMIC BLADE - 27" (2006 & UP) | 1 |
| * | 108-1463 | Blade Service Pack (5 Blades 107-0235-03) | 1 |
| * | 108-1462 | Blade Service Pack (6 Blades 107-0235-03) | 1 |
| * | 108-1464 | Blade Service Pack (7 Blades 107-0235-03) | 1 |
| 10 | 108-9017 | ORDER 120-3366 | 2 |
| 10 | 115-1580 | ORDER 120-3366 | 2 |
| 10 | 120-3366 | BEARING (STAINLESS STEEL) | 2 |
| 11 | 100-5762 | SPANNER | 1 |
| 12 | 105-1230 | PLATE - SCRAPER (2000-03) | 2 |
| 13 | 105-6771-03 | ORDER 112-5291 | 1 |
| 13 | 105-9884-03 | ORDER 112-5291 | 1 |
| | 112-5291 | ROLLER TUBE ASSEMBLY | |
| * | 107-1595** | Roller Rebuild MVP Kit (Bearings 251-347 - 2000-03) | A/R |
| 14 | 251-347 | BEARING | 2 |
| 15 | 104-4212 | RING - RETAINING | 2 |

27" Cutting Unit Parts - continued

| Ref. No. | Part No. | Description | Qty. |
|----------|-------------------|---|------------|
| 16 | 99-3842 | SEAL - OIL | 2 |
| 17 | 93-3007 | SEAL - OIL | 2 |
| 18 | 109966 | BEARING | 2 |
| 19 | 93-1251 | SEAL - INNER | 2 |
| 20 | 93-1252 | SEAL - OUTER | 2 |
| 21 | 253-70 | SEAL - OIL | 2 |
| 22 | 93-2931 | WASHER | 2 |
| 23 | 32120-62 | RING - RETAINING | 2 |
| 24 | 107-1996 | ORDER 112-5291 | 1 |
| 25 | 106-9606** | Roller Rebuild MVP Kit (Bearings 109966 - 2003-07) | A/R |
| 26 | 104-9480 | SHAFT - ROLLER | 1 |
| 27 | 104-9492-03 | ROLLER SCRAPER | 1 |
| 28 | 104-1092 | ORDER 136-2908 | 2 |
| 28 | 115-3418 | ORDER 136-2908 | 2 |
| * | 136-2908 | ROLLER ASSEMBLY | 2 |
| * | 131-7800 | ROLLER ASM - UHMW | 1 |
| * | 136-2881 | BALLAST KIT - UHMW ROLLER, 27" CU | 1 |
| * | 136-2915 | BALLAST KIT - UHMW ROLLER, 22" CU | 1 |
| 29 | 112-5291 | ROLLER & BRACKET KIT | 1 |
| 30 | 112-5265 | ROLLER ASSEMBLY (2007 & UP) | 1 |
| 31 | 114-5430** | Roller Rebuild MVP Kit (Bearings 112-5290 - 2007 & Up) | A/R |
| 32 | 114-3717 | SEAL - INNER | 1 |
| 33 | 112-5290 | BEARING - STAINLESS STEEL | 1 |
| 34 | 112-7494 | SEAL - OUTER | 2 |
| 35 | 114-5411 | NUT - BEARING LOCK | 1 |
| 36 | 100-5709 | NUT - SPINDLE | 1 |
| 37 | 327-15 | SCREW - HEX HD. | 2 |
| * | 121-3575 | SPACER-HOC | 1 |
| * | 136-2921 | PLATE ASM - HOC | 1 |
| * | 115-3466 | RH SHORT LIFT ARM ASM (GM 3505) | 1 |
| * | 100-5799 | SHIM-HOC, 060 (HEIGHT OF CUT ASM) | 18 |
| * | 100-4944 | SHAFT - PIVOT, CUTTING UNIT (GM 3500/3505) | 1 |
| * | 100-5797-03 | BRACKET - HOC, RH (GM 3500/3505/4500/4700) | 1 |
| * | 104-1051-03 | PLATE - SPINDLE | 1 |
| * | 104-1052-03 | BRACKET - HOC, FRONT | 1 |
| * | 104-4229 | REAR CARRIER FRAME ASM (GM 3500/3505) | 1 |
| * | 104-4624-03 | BRACKET - HOC, LH (GM 3500/3505/4500/4700) | 1 |
| * | 104-4641 | SHIM - HOC, .030" | 3 |
| * | 104-4819-03 | BRACKET - PIVOT, LH (GM 3500) | 1 |
| * | 104-5525 | PIN - CYLINDER (GM 4500/4700) | 3 |
| * | 105-9827 | SHAFT | 2 |
| * | 107-0245 | SEAL KIT | 1 |
| * | 107-1979 | LIFT CYLINDER ASM (GM 4500D/4700D 2002-2015) | 2 |
| * | 107-7816 | BRACKET - SKID | 2 |
| * | 107-7819 | SEAL KIT | 1 |
| * | 107-7834 | PULLEY - IDLER | 1 |
| * | 108-4023 | SHAFT - CARRIER, PIVOT (GM 4500/4700) | 3 |
| * | 86-2120 | ROLLER - LOCK (GM 4100) | 4 |
| * | 86-8101-01 | JOINT - BALL, LH | 2 |
| * | 127-6389 | DECK CHAMBER SERVICE ASM | 1 |
| * | 100-5780-03 | FRAME - DECK | 1 |
| * | 105-9822 | SPACER (GM 4500/4700) | 10 |

GROUNDMASTER

GROUNDMASTER® 4000D / 4100D



Cutting Unit Parts

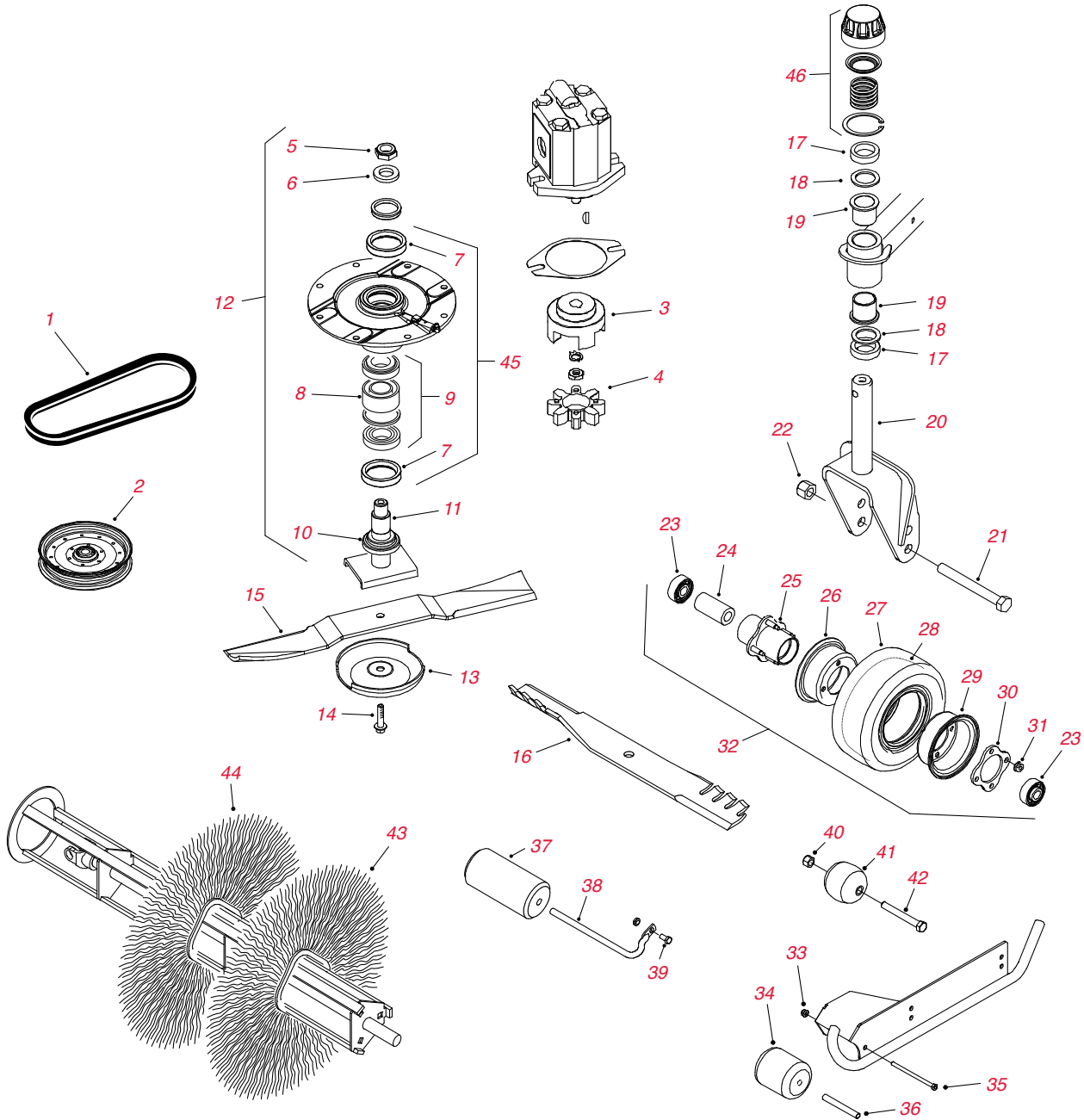
| Ref. No. | Part No. | Description | Qty. |
|----------|----------|-----------------------------------|------|
| 1 | 55-7660 | V-BELT - SPINDLE DRIVE (GM 4000D) | 1 |
| 2 | 99-5493 | PULLEY - IDLER | 4 |
| 3 | 104-3541 | HUB - SPIDER | 1 |
| 4 | 104-3542 | SPIDER | 1 |
| 5 | 3296-60 | NUT - LOCK | 1 |
| 6 | 104-8322 | WASHER - HARDENED | 1 |
| 7 | 253-154 | SPINDLE SEAL | 2 |
| 8 | 104-3549 | ORDER 120-5577 | 1 |
| | 120-5577 | BEARING SPACER SET | |
| 9 | 26-1830 | ORDER 110-8297 | 1 |
| 9 | 110-8297 | SPINDLE BEARINGS & SPACERS SET | 1 |
| 10 | 104-3554 | SPINDLE SHAFT | 1 |

Cutting Unit Parts - continued

| Ref. No. | Part No. | Description | Qty. |
|----------|-------------------|--|------------|
| 11 | 92-9800 | ORDER 69-6950 | 1 |
| 11 | 69-6950 | SPACER - SPINDLE | 1 |
| * | 104-3532** | ORDER 119-4776 | |
| * | 119-4776** | Deck Spindle MVP Kit (Rear Discharge & Guardian Recycler) | A/R |
| * | 104-3530 | ORDER 119-4548 | |
| 12 | 119-4548 | SPINDLE ASSEMBLY (DOUBLE DRIVEN) | 1 |
| * | 104-3531 | ORDER 119-4549 | |
| 12 | 119-4549 | SPINDLE ASSEMBLY (HIGH DRIVEN) | 1 |
| 13 | 72-9361 | CUP ANTI-SCALP | 1 |
| 14 | 92-5816 | BOLT - BLADE | 3 |
| 15 | 92-5608-03 | STANDARD BLADE - 21.75" (132" DECK - GM 4000D) | 3 |
| * | 117-2722 | Blade Service Pack (7 Blades 92-5608-03) | 1 |
| 15 | 106-7166-03 | STANDARD BLADE - 19" (124" DECK - GM 4100D) | 3 |
| 15 | 110-6115-03 | FLAT SAIL BLADE - 21.75" (132" DECK - GM 4000D) | 3 |
| * | 110-6130 | Blade Service Pack (7 Blades 110-6115-03) | 1 |
| 15 | 110-6116-03 | FLAT SAIL BLADE - 19" (124" DECK - GM 4100D) | 3 |
| * | 110-6140 | Blade Service Pack (7 Blades 110-6116-03) | 1 |
| 16 | 107-0214-03 | ATOMIC BLADE - 21.75" (132" DECK - GM 4000D) | 7 |
| * | 108-1450 | Blade Service Pack (7 Blades 107-0214-03) | 1 |
| 16 | 107-0215-03 | ATOMIC BLADE - 19" (124" DECK - GM 4100D) | 7 |
| * | 108-1451 | Blade Service Pack (7 Blades 107-0215-03) | 1 |
| * | 136-4370-03 | MEDIUM SAIL BLADE - 21.75" (132" DECK - GM 4000D) | |
| | 137-5500 | Blade Service Pack (7 Blades 136-4370-03) | |
| 17 | 69-1510 | SPACER | 24 |
| 18 | 69-6860 | WASHER - THRUST | 8 |
| 19 | 104-8340 | ORDER 69-6470 | 8 |
| 19 | 69-6470 | BUSHING - FLANGE | 8 |
| 20 | 104-0762-01 | CASTER FORK ASSEMBLY (GM 4000D) | 1 |
| 21 | 327-24 | SCREW - HEX HD | 1 |
| 22 | 3296-53 | NUT - HEX | 1 |
| 23 | 93-4237 | ORDER 120-5378 | 1 |
| 23 | 120-5378 | BEARING | 2 |
| 24 | 93-4241 | SPACER | 1 |
| 25 | 93-5980 | HUB | 1 |
| 26 | 93-4239 | RIM HALF | 1 |
| 27 | 93-9939 | 8" TIRE | 1 |
| 28 | 68-8950 | 8" INNER TUBE | 1 |
| 29 | 95-2741 | RIM HALF | 1 |
| 30 | 93-4242 | PLATE | 1 |
| 31 | 32128-16 | NUT - LOCK | 4 |
| 32 | 93-9938 | 8" WHEEL ASSEMBLY | 1 |
| 32 | 93-5974 | 8" FOAM FILLED WHEEL ASSEMBLY (OPTIONAL) | 1 |
| * | 3274-105 | SCREW-HSBH, FRONT WHEEL & BRAKE ASM | 1 |
| 33 | 104-8300 | NUT - FLANGE | 1 |
| 34 | 93-4803 | ROLLER - CENTER DECK (GM 4000D) | 1 |
| 35 | 322-29 | SCREW - HEX HD | 1 |
| 36 | 105-4549 | SPANNER | 1 |
| 37 | 68-6710 | ROLLER - CENTER DECK (GM 4100D) | 1 |
| 38 | 68-6840 | SHAFT - ROLLER | 1 |
| 39 | 3234-11 | SCREW - HEX FLANGE HD | 1 |
| 40 | 3296-25 | NUT - HEX | 6 |
| 41 | 29-4820 | ROLLER | 6 |
| 42 | 325-17 | SCREW - HEX HD | 6 |
| 43 | 94-7372 | BRUSH ELEMENT - POLY | 32 |
| 44 | 95-5942 | BRUSH ELEMENT - WIRE | 32 |
| 45 | 104-3552 | ORDER 119-4546 | 1 |
| 45 | 119-4546 | SPINDLE HOUSING ASSEMBLY | 1 |
| 46 | 92-9727 | CAP ASSEMBLY - HEIGHT OF CUT | 2 |

GROUNDMASTER

GROUNDMASTER® 4000D / 4100D



Cutting Unit Parts - continued

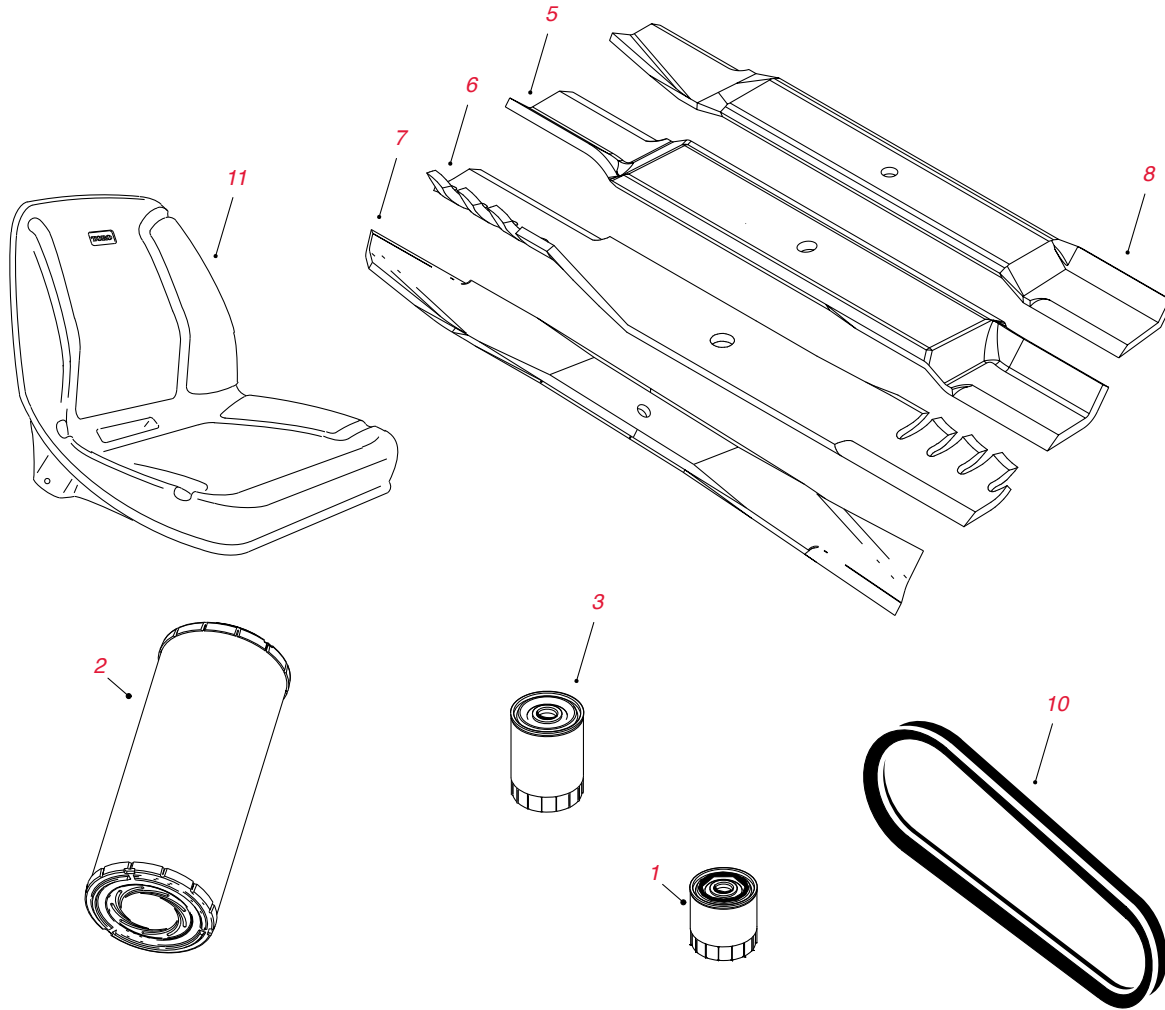
| Ref. No. | Part No. | Description | Qty. |
|----------|-------------|---------------------------------|------|
| * | 100-3017 | PIN - ARM, LIFT | 2 |
| * | 100-3020 | ORDER 120-5575 | 2 |
| * | 120-5575 | PIN | 2 |
| * | 100-3032 | LH LIFT ARM ASM | 1 |
| * | 100-5605-01 | RH SKID ASM | 1 |
| * | 100-5612-01 | LH SKID ASM (2001-2012) | 1 |
| * | 100-5620-01 | RH SKID ASM (2001-2012) | 1 |
| * | 100-5674 | PIN ASM | 2 |
| * | 100-8125-01 | LH SKID ASM (GM 4000 2001-2012) | 1 |
| * | 100-8138 | SPRING - COMPRESSION (GM 4000) | 2 |
| * | 104-0705-03 | YOKE - JOINT | 2 |
| * | 104-2200-01 | CHAMBER - CENTER | 1 |

Cutting Unit Parts - continued

| Ref. No. | Part No. | Description | Qty. |
|----------|-------------|---|------|
| * | 104-2201-01 | CHAMBER - RH (GM 4000) | 1 |
| * | 104-2202-01 | CHAMBER - LH (GM 4000) | 1 |
| * | 104-2203-01 | OUTER - CHAMBER ASM (GM 4000 2001-2009) | 1 |
| * | 104-2204-01 | CHAMBER - INNER | 1 |
| * | 104-2205-01 | CHAMBER - INNER | 1 |
| * | 104-2250-01 | SKID- SIDE | 1 |
| * | 104-3545 | PULLEY - DRIVING | 1 |
| * | 104-7520 | SPRING - DAMPER | 2 |
| * | 104-7521 | BUSHING | 4 |
| * | 104-7529-01 | BRACKET - CASTOR | 2 |
| * | 104-8341 | BUSHING - STRAIGHT | 2 |
| * | 105-2806 | END - ROD | 2 |
| * | 105-2809 | TUBE - LINK | 2 |
| * | 105-3249 | DAMPER | 2 |
| * | 105-4548 | SHAFT - SPRING | 2 |
| * | 105-7443 | SPACER - PILOT (GM 4100) | 4 |
| * | 105-7468 | STUD - TAPERED (GM 4100) | 1 |
| * | 105-7482 | PIN - LATCH | 2 |
| * | 106-4269 | PULLEY - DRIVE, DOUBLE | 1 |
| * | 106-4317 | SUPPORT - SPRING (GM 4100) | 2 |
| * | 106-7171 | ORDER 131-4293 | 4 |
| * | 131-4293 | PIN PIVOT (MODELS 30447/30449) | 4 |
| * | 107-0245 | SEAL KIT, STEERING CYLINDER ASM | 1 |
| * | 107-0249 | SEAL KIT, HYDRAULIC CYLINDER ASM | 1 |
| * | 107938 | SPRING - EXTENSION | 2 |
| * | 108-1471 | RH REAR ARM ASM | 1 |
| * | 108-1473 | LH REAR ARM ASM | 1 |
| * | 108-1475-03 | BELL CRANK- RH | 1 |
| * | 108-1476-03 | BELL CRANK- LH | 1 |
| * | 114-3848 | COUPLER - SPRING, FLYWHEEL | 1 |
| * | 114-5596 | BUSHING - STRAIGHT | 1 |
| * | 114-5640-03 | JOINT YOKE ASM | 2 |
| * | 114-5680 | BUSHING - FLANGE | 2 |
| * | 115-5469 | BUSHING - FLANGE | 2 |
| * | 256-76 | BUSHING | 2 |
| * | 32121-110 | PIN- ROLL, SLOTTED | 2 |
| * | 32144-1 | SCREW- TAPTITE | 4 |
| * | 3220-5 | NUT - JAM | 4 |
| * | 3234-42 | SCREW - HHF | 2 |
| * | 325-13 | SCREW - HH | 2 |
| * | 3296-45 | NUT - LOCK, NI | 2 |
| * | 3296-51 | NUT - LOCK, NI | 2 |
| * | 86-2120 | ROLLER - LOCK (GM 4100) | 4 |
| * | 86-8101-01 | JOINT - BALL, LH | 2 |
| * | 92-2739 | PIN - CLEVIS | 2 |
| * | 92-7750-01 | FORK - CASTOR (GM 4100) | 4 |
| * | 92-8861 | CAP - HOC | 1 |
| * | 92-9726 | SPRING - COMPRESSION | 1 |
| * | 93-4583-01 | MOUNT - JOINT, BALL | 2 |
| * | 99-3139 | NUT | 2 |
| * | 104-8331 | END - ROD, SPHERICAL | 4 |
| * | 105-2808 | END - ROD | 4 |
| * | 100-3031 | RH LIFT ARM ASM | 1 |
| * | 119-4547 | DRIVING SPINDLE ASM | 1 |

GROUNDMASTER

GROUNDMASTER® 4300D



Traction and Cutting Unit Parts

| Ref. No. | Part No. | Description | Qty. |
|----------|-----------------|---|------------|
| 1 | 94-2621 | HYDRAULIC OIL FILTER (TANK) | 1 |
| 1 | 86-3010 | HYDRAULIC OIL FILTER (PUMP) | 1 |
| 2 | 108-3812 | AIR FILTER | 1 |
| 3 | 110-9049 | FUEL FILTER (SPIN-ON) | 1 |
| 4 | 108-3841 | ENGINE OIL FILTER | 1 |
| * | 30055** | 400 Hour Filter Mvp Kit (2008-2012) | A/R |
| * | 30093** | 800 Hour Filter Mvp Kit (2013 & Up) | A/R |
| 5 | 114-0434-03 | 22" HIGH LIFT BLADE | A/R |
| 6 | 114-0435-03 | 22" ATOMIC BLADE | A/R |
| 7 | 117-0209-03 | 22" ANGLE SAIL BLADE | A/R |
| 8 | 108-7395-03 | 22" COMBO BLADE | A/R |
| * | 119-6957 | Service Pack - Combo Blade (5X #108-7395-03) | A/R |
| * | 115-3435 | SPINDLE ASM | 1 |
| * | 136-2921 | PLATE ASM - HOC | |
| * | 117-0297 | SECTIONAL ROLLER ASSEMBLY | A/R |
| 10 | 98-9676 | V-BELT (FAN AND ALTERNATOR) | 1 |
| 11 | 104-4620 | SEAT | 1 |
| * | 92-8991 | ADJUSTER - SEAT ASM | 1 |
| * | 108-0638 | BOTTLE-OVERFLOW | 1 |
| * | 117-0172 | SCREW-HH | 1 |
| * | 87-3470 | BUMPER | 1 |
| * | 115-3434 | SPINDLE | 1 |
| * | 115-3435 | SPINDLE ASM | 1 |
| * | 125-2011 | ORDER 136-2921 | 1 |
| * | 136-2921 | HOC PLATE ASM | 3 |

Traction and Cutting Unit Parts - continued

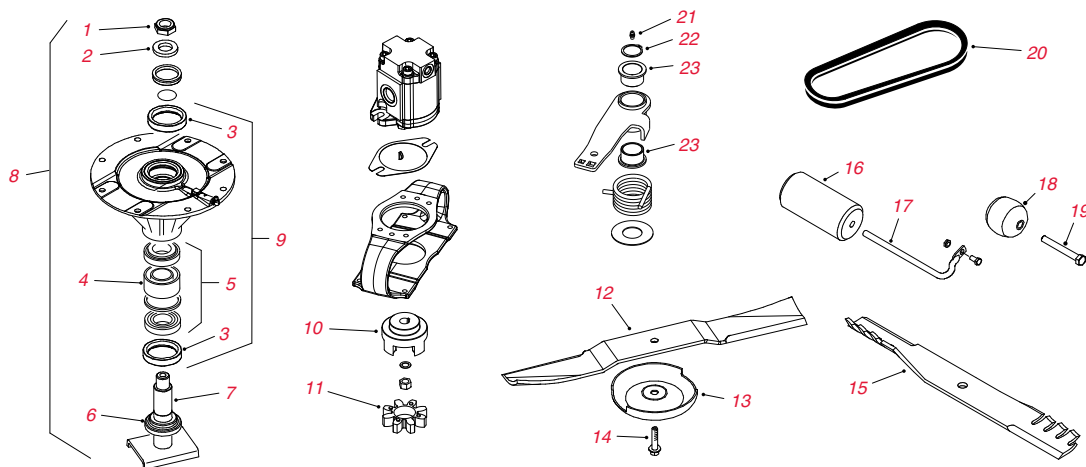
| Ref. No. | Part No. | Description | Qty. |
|----------|-----------------|--|------------|
| * | 104-1051-03 | PLATE - SPINDLE | 1 |
| * | 104-1052-03 | BRACKET - HOC, FRONT | 1 |
| * | 104-4641 | SHIM - HOC, .030" | 3 |
| * | 105-1215 | HOSE - HYD | 4 |
| * | 106-3662 | HOSE - HYD (2010 & UP) | 4 |
| * | 106-5269 | IGNITION SWITCH ASM | 1 |
| * | 107-4544 | HYD MOTOR ASM | 1 |
| * | 107-7816 | BRACKET - SKID | 2 |
| * | 108-1825 | HYD MANIFOLD ASM | 1 |
| * | 108-7373 | ORDER 138-1227 | 1 |
| * | 138-1227 | CHAMBER ASM | 1 |
| * | 108-7624 | TUBE ASM | 1 |
| * | 108-7625 | TUBE ASM | 1 |
| * | 110-0901 | HYD MOTOR ASM | 1 |
| * | 114-0403 | HYD STEERING CYLINDER ASM | 1 |
| * | 114-0440-03 | SUPPORT - DECK | 1 |
| * | 117-0132 | PIN | 6 |
| * | 117-0148 | PIN - CYLINDER | 3 |
| * | 117-0208 | SHAFT - PIVOT, LIFTARM | 2 |
| * | 117-3290 | NUT - HEX | 2 |
| * | 119-6989 | HYD CYLINDER ASM | 1 |
| * | 119-6990 | HYD CYLINDER ASM | 1 |
| * | 119-6991 | HYD CYLINDER ASM | 1 |
| * | 120-6260 | RH BRAKE ASM | 1 |
| * | 120-6261 | LH BRAKE ASM | 1 |
| * | 120-6274 | MOUNT-ENGINE | 4 |
| * | 121-5631 | HUB ASM | 2 |
| * | 133-2934 | HYDRAULIC MOTOR ASM | 1 |
| * | 133-2935 | HYDRAULIC MOTOR ASM | 1 |
| * | 32144-4 | SCREW - HWH | 1 |
| * | 325-12 | SCREW - HH | 8 |
| * | 327-7 | SCREW - HH | 3 |
| * | 340-139 | FITTING - ELBOW 90 | 2 |
| * | 353-781 | FITTING - ELBOW | 2 |
| * | 74-3650 | FAN | 1 |
| * | 117-0289 | MVP Hydraulic Hose Kit | A/R |
| * | 100-1535 | SWITCH | 1 |
| * | 131-6691 | SEAT COVER, LARGE | 1 |
| * | 137-1312 | MESH SEAT COVER, LARGE | 1 |
| * | 117-0213 | HYD HOSE ASM (GM 4300 2010 & UP) | 1 |
| * | 117-0211 | HYD HOSE ASM (GM 4300 2010 & UP) | 1 |
| * | 117-0299 | HYD HOSE ASM (GM 4300 2011 & UP) | 4 |
| * | 108-1672 | MANIFOLD - TUBE (GM 4300 2010 & UP) | 1 |
| * | 119-6972 | VARIABLE HYDRAULIC PUMP ASM (GM 4300) | 1 |
| * | 110-8882 | VALVE - RELIEF, CROSS OVER (GM 4300) | 1 |
| * | 125-2169 | ENGINE - KUBOTA, V1505T (GM 4300) | 1 |
| * | 108-6507 | HOSE - HYD (GM 4300 2010 & UP) | 2 |
| * | 117-0118 | PIVOT ASM (GM 4300 2010 & UP) | A/R |
| * | 117-8972 | FAN CLUTCH ASM (GM 4300 2010 & UP) | 1 |
| * | 114-0385-03 | ARM NO. 5 ASM (GM 4300 2010 & UP) | 1 |
| * | 114-0384-03 | ARM NO. 4 ASM (GM 4300 2010 & UP) | 1 |
| * | 114-0381-03 | ARM NO. 1 ASM (GM 4300 2010 & UP) | 1 |
| * | 114-0382-03 | ARM NO. 2 ASM (GM 4300 2010 & UP) | 1 |
| * | 108-7384-03 | CARRIER FRAME ASM (GM 4300 2010 & UP) | 3 |
| * | 114-0383-03 | ARM NO. 3 ASM (GM 4300 2010 & UP) | 1 |
| * | 112-9919 | STOP - CABLE, THROTTLE (GM 4300 2010 & UP) | 1 |
| * | 32121-3 | PIN - SPRING | 1 |
| * | 114-0430 | TUBE - SEG, ROLLER (GM 4300 2010 & UP) | 2 |
| * | 106-5270 | IGNITION KEY SET | 1 |
| * | 106-5269 | IGNITION SWITCH ASM | 1 |
| * | 117-9507 | PEDAL - ACCELERATOR | 1 |

GROUNDMASTER

GROUNDMASTER® 5900D / 5910

Traction Unit Parts

| | Part No. | Description | Qty. |
|----------------------------------|---|--|------------|
| FILTERS | | | |
| | 30041** | 400 Hour Filter MVP Kit | A/R |
| | 130-8860 | ELEMENT - ENGINE OIL FILTER | 1 |
| | 115-8877 | ELEMENT - AIR FILTER (INNER) | 1 |
| | 115-8887 | ELEMENT - AIR FILTER (OUTER) | 1 |
| | 115-5471 | ELEMENT - FUEL/WATER SEPARATOR | 1 |
| | 115-8867 | ORDER 117-2792 | 1 |
| | 117-2792 | ELEMENT - FUEL FILTER | 1 |
| | 86-6110 | ELEMENT - HYDRAULIC OIL FILTER (MAIN) | 1 |
| | 75-1310 | ELEMENT - HYDRAULIC OIL FILTER (PTO) | 1 |
| | 93-2242 | FILTER - OIL | 1 |
| TIRES | | | |
| | 114-4861 | TIRE - FRONT (29 X 12.5- 15) 10-PLY MULTI-TRAC | 2 |
| | 112-7305 | ORDER 121-9072 | |
| | 121-9072 | TIRE - REAR (23 X 10.5- 12) 6-PLY MULTI-TRAC | 2 |
| | 93-4243 | TIRE | 10 |
| BEARINGS | | | |
| | See Quick Reference Guide for detailed information on bearing replacements for this model. Page 30-38 | | |
| | 93-4237 | ORDER 120-5378 | |
| | 120-5378 | BEARING | 20 |
| | 2411-36 | BEARING - END, ROD | 1 |
| STARTER & ALTERNATORS | | | |
| | 115-8861 | STARTER ASSEMBLY | 1 |
| | 115-8850 | ORDER 117-5419 | 1 |
| | 117-5419 | ALTERNATOR ASSEMBLY | 1 |
| SEAT | | | |
| | 131-6691 | SEAT COVER, LARGE | 1 |
| | 137-1312 | MESH SEAT COVER, LARGE | 1 |
| OTHER | | | |
| | 100-3069 | RH BRAKE ASM | 1 |
| | 100-3070 | LH BRAKE ASM | 1 |
| | 105-3249 | DAMPER | 1 |
| | 340-139 | FITTING - ELBOW 90 | 1 |
| | 104-3563 | INDICATOR | 1 |
| | 105-2806 | END-ROD, WING CONNECTION | 2 |
| | 114-5596 | BUSHING - STRAIGHT, WING LIFT | 2 |
| | 114-5640-03 | JOINT YOKE ASM, WING CONNECTION | 2 |
| | 114-5680 | BUSHING - FLANGE, WING LIFT | 2 |
| | 115-5469 | BUSHING - FLANGE, WING LIFT | 2 |
| | 121-3882 | SHAFT - PIVOT, LIFTARM | 2 |
| | 321-10 | SCREW-HH, PARKING BRAKE | 8 |
| | 32136-2 | NUT - SHH, TIE ROD | 1 |
| | 3234-42 | SCREW - HHF, FUEL TANK | 2 |
| | 325-12 | SCREW - HH, FRONT AXLE | 2 |
| | 3296-51 | NUT - LOCK, NI | 2 |
| | 92-9726 | SPRING - COMPRESSION | 1 |
| | 99-3139 | NUT, WING CONNECTION | 2 |
| | 99-3641 | CLAMP - TUBE, HYDRAULIC PLUMBING | 6 |
| | 106-9288 | SENSOR - PROXIMITY, FERROUS | 2 |
| | 93-9999 | SWITCH - PTO | 1 |
| | 100-1535 | SWITCH | 1 |
| | 104-2281 | SHAFT - PIVOT | 2 |
| | 104-0108 | U-BOLT | 2 |
| | 256-304 | WASHER - THRUST | 4 |
| | 95-9648 | KNOB | 2 |
| | 121-3874 | CASTOR WRENCH ASM | 1 |
| | 106-5270 | IGNITION KEY SET | 1 |
| | 106-5269 | IGNITION SWITCH ASM | 1 |
| | 114-3315 | SOLENOID | 1 |
| | 340-6 | FITTING - STRAIGHT | 1 |
| | 104-0720 | SPACER | 2 |



Cutting Unit Parts

| Ref. No. | Part No. | Description | Qty. |
|----------|-------------------|--|------------|
| 1 | 3296-60 | NUT - HEX | 1 |
| 2 | 104-8322 | WASHER - HARDENED | 1 |
| 3 | 253-154 | SEAL-OIL | 2 |
| 4 | 104-3549 | ORDER 120-5577 | 1 |
| 4 | 120-5577 | SPACER SET | 1 |
| 5 | 110-8297 | BEARING KIT (MATCHED SET) | 1 |
| 6 | 69-6950 | SPACER - SPINDLE SHAFT | 1 |
| 7 | 104-3554 | SHAFT - SPINDLE | 1 |
| | 104-3530 | ORDER 119-4548 | |
| 8 | 119-4548 | SPINDLE ASSEMBLY - DOUBLE DRIVEN | 1 |
| | 104-3531 | ORDER 119-4549 | |
| 8 | 119-4549 | SPINDLE ASSEMBLY - HIGH DRIVEN | 1 |
| 9 | 104-3552 | ORDER 119-4546 | 1 |
| 9 | 119-4546 | SPINDLE HOUSING ASSEMBLY | 1 |
| 10 | 104-3541 | HUB-SPIDER | 3 |
| 11 | 104-3542 | SPIDER | 3 |
| | 110-5946-03 | STANDARD BLADE - 20" | 1 |
| * | 115-8896 | Blade Service Pack (11 Blades 110-5946-03) | 1 |
| 13 | 72-9361 | CUP - ANTI SCALP | 1 |
| 14 | 92-5816 | BOLT - BLADE | 1 |
| 15 | 110-5948-03 | ATOMIC BLADE - 20" | 1 |
| * | 114-0897 | Blade Service Pack (11 Blades 110-5948-03) | 1 |
| 16 | 68-6710 | ROLLER | 1 |
| 17 | 68-6840 | SHAFT - ROLLER | 1 |
| 18 | 29-4820 | ROLLER | 6 |
| 19 | 325-17 | SCREW - HEX HD | 6 |
| 20 | 112-7376 | V-BELT - CENTER DECK SPINDLE DRIVE | 1 |
| 20 | 112-7377 | V-BELT - CENTER & WING DECK SPINDLE DRIVE | 6 |
| 21 | 302-5 | FITTING GREASE | 2 |
| 22 | 32120-84 | RING - RETAINING (EXTERNAL) | 8 |
| 23 | 93-4510 | BUSHING - FLANGE | 14 |
| * | 115-8898** | Standard Blade & Belt MVP Kit (Center & Wing Decks) | A/R |
| * | 132-1440** | Blade & Belt MVP Kit | A/R |
| * | 01-268-0160 | PULLEY - IDLER | 2 |
| * | 100-3017 | PIN - ARM, LIFT | 2 |
| * | 104-3545 | PULLEY - DRIVING | 1 |
| * | 104-8331 | END - ROD, SPHERICAL | 1 |
| * | 105-7468 | STUD - TAPERED | 1 |
| * | 108-1924 | SPACER - IDLER | 2 |
| * | 115-3366 | ROLLER | 2 |
| * | 110-5999-01 | CASTOR FORK ASM | 2 |
| * | 119-4547 | DRIVING SPINDLE ASM | 1 |
| * | 130-9151-03 | STANDARD BLADE- 20" (Tier4) | 1 |
| * | 132-1390-03 | ATOMIC BLADE - 20" (Tier4) | 1 |
| * | 132-1391 | ATOMIC BLADE SERVICE PACK, (11 BLADES 132-1390-03) TIER4 | A/R |
| * | 132-1392 | STANDARD BLADE SERVICE PACK (11 BLADES 130-9151-03) TIER4 | A/R |
| * | 92-8861 | CAP HOC | 1 |

*Not illustrated. **Not sold separately. See pages 20-33 for kit contents. Prices subject to change without notice. Please see your Parts Catalog or Master Parts Viewer to ensure the correct part is ordered, as the part you need may not be listed above. toro.com/parts

GROUNDMASTER

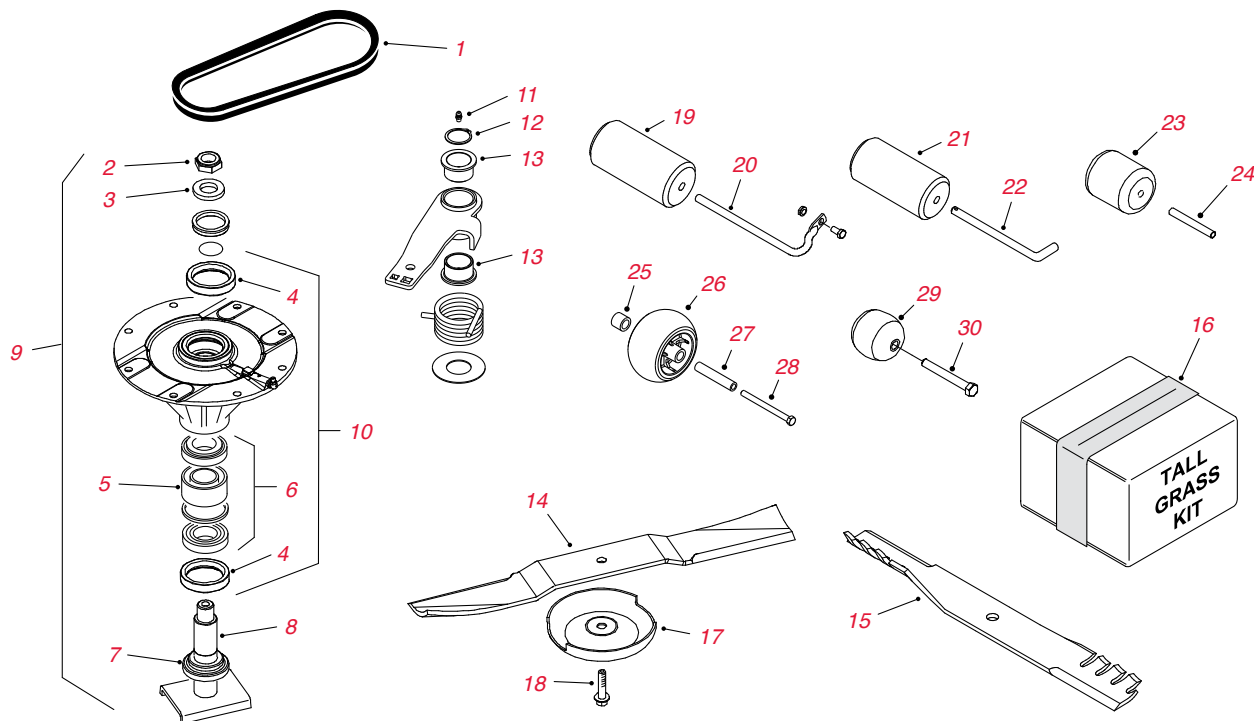
GROUNDMASTER® 7200 / 7210

Traction Unit Parts

| | Part No. | Description | Qty. |
|----------------------------------|---|--|------------|
| FILTERS | | | |
| | 30037** | 400 Hour Filter MVP Kit (2007) | A/R |
| | 30052** | 400 Hour Filter MVP Kit (2008-2014) | A/R |
| | 108-3841 | FILTER - ENGINE OIL | 1 |
| | 108-3810 | FILTER - AIR CLEANER ELEMENT | 1 |
| | 98-7612 | IN-LINE FUEL FILTER, PLASTIC | 1 |
| | 108-3828 | IN-LINE FUEL FILTER, METAL | 1 |
| | 98-9764 | ELEMENT - SEPARATOR (2007) | 1 |
| | 110-9049 | ELEMENT - SEPARATOR (2008 & UP) | 1 |
| | 112-9140 | BIO-DIESEL FUEL FILTER KIT | 1 |
| | 112-8400 | BIO-DIESEL FUEL PUMP KIT | 1 |
| | 110-9015 | ELEMENT - SEPARATOR (BIO-DIESEL KIT) | 1 |
| | 108-5194 | FILTER - TRANSMISSION OIL | 1 |
| | 98-9493 | ELEMENT-BREATHER (7210) | 1 |
| BELTS | | | |
| | 98-9676 | V-BELT - ALTERNATOR DRIVE | 1 |
| TIRES | | | |
| | 106-7868 | ORDER 131-6673 | 2 |
| | 131-6673 | TIRE -REAR (24 X 12 - 12) 6-PLY | 2 |
| | 103-6771 | TIRE - REAR (24 X 12 - 12) 6-PLY LUG TREAD | 2 |
| | 108-9955 | TIRE - CASTER WHEEL | 2 |
| BEARINGS | | | |
| | See Quick Reference Guide for detailed information on bearing replacements for this model. Page 30-38 | | |
| | 254-107 | BEARING CUP | 4 |
| | 254-106 | BEARING CONE | 4 |
| STARTER & ALTERNATORS | | | |
| | 131-6557 | ALTERNATOR ASM | 1 |
| | 98-9705 | STARTER ASM | 1 |
| SEAT | | | |
| | 131-6691 | SEAT COVER, LARGE | 1 |
| | 137-1312 | MESH SEAT COVER, LARGE | 1 |
| OTHER | | | |
| | 117-5135 | RADIATOR ASM | 1 |
| | 108-0638 | BOTTLE-OVERFLOW | 1 |
| | 115-5305 | CAP-FUEL | 1 |
| | 104-4246 | FAN - ENGINE | 1 |
| | 100-1535 | SWITCH | 1 |
| | 93-9999 | PANEL - CONTROL | 1 |
| | 110-3575 | DRIVESHAFT ASM | 1 |
| | 104-0108 | U-BOLT (GM 7210) | 4 |
| | 32128-37 | NUT - HF | 6 |
| | 86-6560 | WASHER - THRUST (GM 7210) | 1 |
| | 121-3874 | CASTOR WRENCH ASM (GM 7210) | 1 |
| | 340-6 | FITTING - STRAIGHT | 1 |

GROUNDMASTER

GROUNDMASTER® 7200 / 7210



Cutting Unit Parts

| Ref. No. | Part No. | Description | Qty. |
|----------|-------------------|--|------|
| 1 | 110-9595 | V-BELT - 62" GUARDIAN - LEFT SPINDLE DRIVE | 1 |
| 1 | 110-9594 | V-BELT - 62" GUARDIAN - RIGHT SPINDLE DRIVE | 1 |
| 1 | 110-9593 | V-BELT - 72" GUARDIAN - LEFT SPINDLE DRIVE | 1 |
| 1 | 110-9592 | V-BELT - 72" GUARDIAN - RIGHT SPINDLE DRIVE | 1 |
| 1 | 110-9591 | V-BELT - 72" SIDE DISCHARGE - LEFT SPINDLE DRIVE | 1 |
| 1 | 110-9590 | V-BELT - 72" SIDE DISCHARGE - RIGHT SPINDLE DRIVE | 1 |
| 2 | 3296-60 | NUT - HEX | 3 |
| 3 | 104-8322 | WASHER - HARDENED | 3 |
| 4 | 253-154 | SEAL-OIL | 3 |
| 5 | 104-3549 | ORDER 120-5577 | 3 |
| 5 | 120-5577 | SPACER SET (62/72" GUARDIAN) | 3 |
| 6 | 26-1830 | ORDER 110-8297 | 3 |
| 6 | 110-8297 | BEARING KIT (MATCHED SET) | 3 |
| 7 | 69-6950 | SPACER - SPINDLE SHAFT | 3 |
| 8 | 104-3554 | SHAFT - SPINDLE (62/72" GUARDIAN) | 3 |
| | 104-3532** | ORDER 119-4776 | |
| 9 | 119-4776** | Spindle Assembly - Low Driven (62/72" Guardian) | 1 |
| | 104-3530 | ORDER 119-4548 | |
| 9 | 119-4548 | SPINDLE ASSEMBLY - DOUBLE DRIVEN (62/72" GUARDIAN) | 1 |
| | 104-3531 | ORDER 119-4549 | |
| 9 | 119-4549 | SPINDLE ASSEMBLY - HIGH DRIVEN (62/72" GUARDIAN) | 1 |
| | 108-1957 | ORDER 119-4778 | |
| 9 | 119-4778 | SPINDLE ASSEMBLY - RH (72" SD) | 1 |
| 10 | 104-3552 | ORDER 119-4546 | 3 |
| | 119-4546 | SPINDLE HOUSING ASSEMBLY (62/72" GUARDIAN) | |
| 11 | 302-5 | FITTING-GREASE | 2 |
| 12 | 32120-84 | RING - RETAINING | 2 |

Cutting Unit Parts - continued

| Ref. No. | Part No. | Description | Qty. |
|----------|-------------------|--|------------|
| 13 | 93-4510 | BUSHING - CASTER | 4 |
| | 108-1958-03 | ORDER 121-5347-03 | |
| 14 | 121-5347-03 | STANDARD BLADE - 25" (72" RD & GUARDIAN REC 2005 & UP) | 3 |
| * | 105-7271** | Standard Blade & Belt MVP Kit (72" Guardian Recycler) | A/R |
| 14 | 92-5608-03 | STANDARD BLADE - 21.75" (62" GUARDIAN) | 3 |
| * | 105-7270** | Standard Blade & Belt MVP Kit (62" Guardian Recycler) | A/R |
| 14 | 110-0621-03 | MEDIUM FLOW BLADE - 24.5" (72" SD) | 3 |
| * | 105-7272** | Medium Sail Blade & Belt MVP Kit (72" Side Discharge) | A/R |
| 14 | 110-0622-03 | HIGH FLOW BLADE - 24.5" (72" SD) | 3 |
| 15 | 112-9586-03 | FLAT BLADE - 24.5" (72" SD) | 3 |
| 16 | 105-7269** | Tall Grass MVP Kit (62" & 72" Guardian Recycler) | A/R |
| 17 | 72-9361 | CUP - ANTI SCALP | 3 |
| 18 | 92-5816 | BOLT - BLADE | 3 |
| 19 | 68-6710 | ROLLER | 1 |
| 20 | 68-6840 | SHAFT - ROLLER | 1 |
| 21 | 36-1740 | ROLLER - DECK (72" SD) | 2 |
| 22 | 40-0340 | SHAFT - REAR ROLLER | 2 |
| 23 | 93-4803 | ROLLER - DECK (72" SD) | 1 |
| 24 | 105-4549 | SPACER - ROLLER | 1 |
| 25 | 98-7913 | TUBE - SPACER | 2 |
| 26 | 1-603299 | ROLLER - ANTI SCALP | 2 |
| 27 | 98-7912 | TUBE - SPANNER | 2 |
| 28 | 323-23 | SCREW - CAP HEX HD | 2 |
| 29 | 29-4820 | ROLLER - DECK (62"/72" GUARDIAN) | 2 |
| 30 | 325-18 | SCREW - CAP HEX HD | 2 |
| * | 01-268-0160 | PULLEY - IDLER (72" SD) | 1 |
| * | 105-0887 | BELT - DRIVE, PTO (60" SD) | 1 |
| * | 108-1924 | SPACER - IDLER (62"/72" SD) | 2 |
| * | 114-5680 | BUSHING - FLANGE | 2 |
| * | 132-9421 | PULLEY - IDLER, FLAT (62"/72" SD) | 1 |
| * | 1-523420 | BUMPER | 1 |
| * | 321-10 | SCREW - HH | 2 |
| * | 32121-110 | PIN - ROLL, SLOTTED | 1 |
| * | 32144-4 | SCREW - HWH | 2 |
| * | 3234-42 | SCREW - HHH | 1 |
| * | 325-13 | SCREW - HH | 2 |
| * | 327-7 | SCREW - HH | 1 |
| * | 3296-45 | NUT - LOCK, NI | 2 |
| * | 3296-51 | NUT - LOCK, NI | 5 |
| * | 353-781 | FITTING - ELBOW | 2 |
| * | 67-6920 | V-BELT (60" SD) | 1 |
| * | 132-1319 | BLADE- HIGH FLOW (19") | A/R |
| * | 110-9683 | SHAFT - REAR ROLLER | 1 |

GROUNDMASTER

GROUNDMASTER® 360

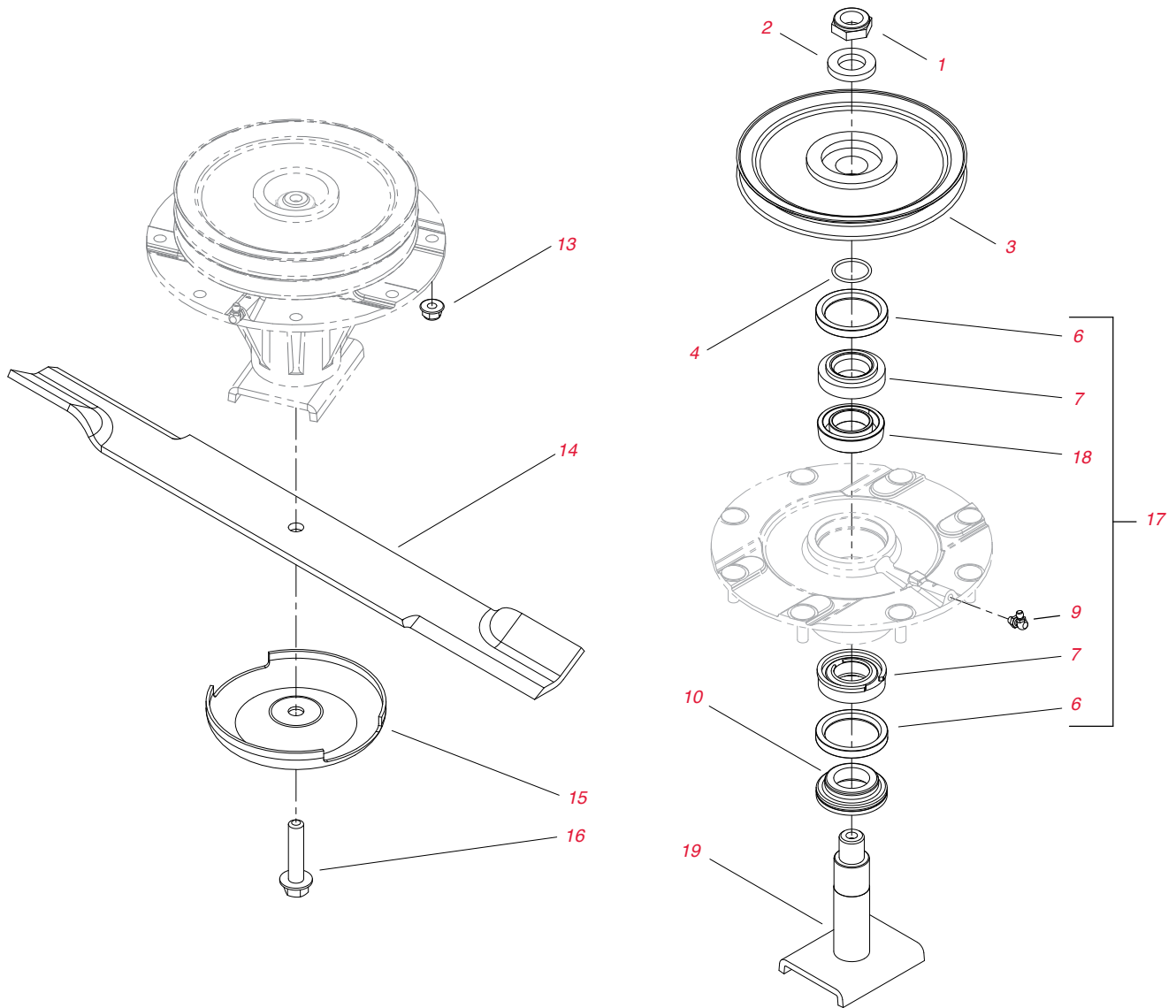
Traction Unit Parts

| | Part No. | Description | Qty. |
|----------------------------------|---|---|------|
| FILTERS | | | |
| | 108-5194 | HYDRAULIC OIL FILTER | 1 |
| | 108-3810 | AIR FILTER | 1 |
| | 108-3841 | OIL FILTER | 1 |
| | 110-9049 | FILTER - SPIN ON | 1 |
| BELTS | | | |
| | 115-0123 | V-BELT, ENGINE COMPONENT ASSEMBLY | 1 |
| | 117-3399 | V-BELT, AIR CONDITIONING ASSEMBLY | 1 |
| | 110-9592 | V-BELT, 72" GUARDIAN DECK - RIGHT SPINDLE DRIVE | 1 |
| | 110-9593 | V-BELT, 72" GUARDIAN DECK - LEFT SPINDLE DRIVE | 1 |
| | 110-9591 | V-BELT, 72" SD DECK - LEFT SPINDLE DRIVE | 1 |
| | 110-9590 | V-BELT, 72" SD DECK - RIGHT SPINDLE DRIVE | 1 |
| TIRES | | | |
| | 121-9072 | TIRE (23 x 10.5 - 12) 6-PLY | 2 |
| | 136-5375 | TIRE (23 X 10.50 - 12) 4-PLY - HIGH TRACTION | 2 |
| BEARINGS | | | |
| | See Quick Reference Guide for detailed information on bearing replacements for this model. Page 30-38 | | |
| | 254-72 | BEARING-CUP | 2 |
| | 254-92 | CONE- BEARING, OUTER | 2 |
| STARTER & ALTERNATORS | | | |
| | 117-5541 | ALTERNATOR | 1 |
| | 98-9705 | STARTER | 1 |
| SEAT | | | |
| | 131-6691 | SEAT COVER, LARGE | 1 |
| | 137-1312 | MESH SEAT COVER, LARGE | 1 |
| OTHER | | | |
| | 105-4320 | SWITCH | 1 |
| | 108-0638 | BOTTLE-OVERFLOW | 1 |
| | 125-1984 | SPACER, HYDRAULIC DRIVE ASM | 5 |
| | 115-5305 | CAP-FUEL | 1 |
| | 112-9185 | HOSE ASM | 1 |
| | 353-781 | FITTING - ELBOW | 2 |
| | 100-1535 | SWITCH | 1 |

Traction Unit Parts

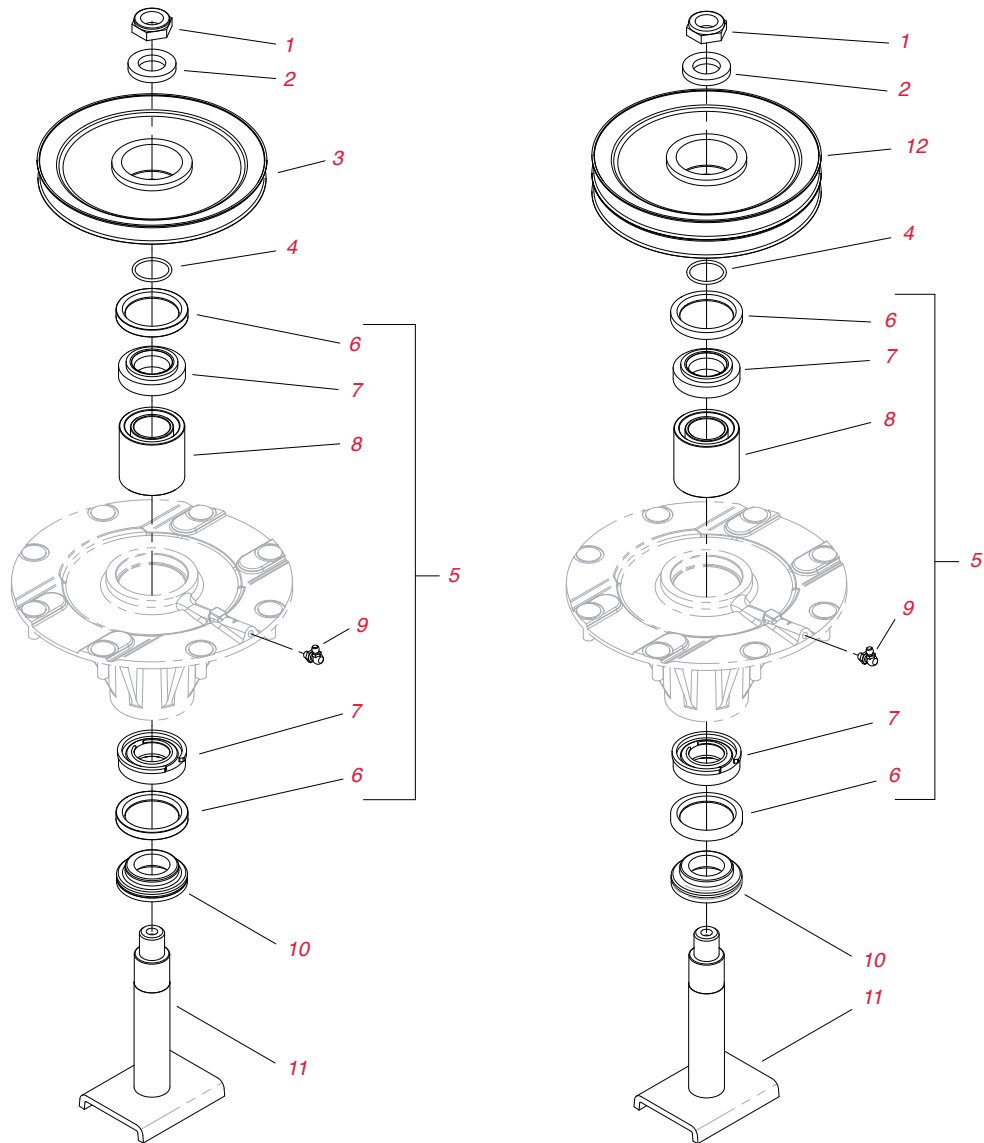
| | Part No. | Description | Qty. |
|----------------------------------|---|--|------|
| FILTERS | | | |
| | 30052** | 400-Hour Filter Maintenance Kit, Groundsmaster 7200 Traction Unit | |
| | 108-3810 | FILTER-AIR | 1 |
| | 114-4057 | ELEMENT-SAFETY, 5" | 1 |
| | 127-0511 | ORDER 108-3841 | 1 |
| | 108-3841 | FILTER - OIL | 1 |
| | 110-9049 | FILTER-SPIN ON | 1 |
| | 108-5194 | FILTER-OIL, HYD | 1 |
| BELTS | | | |
| | 110-9592 | V-BELT | 1 |
| | 110-9593 | V-BELT | 1 |
| | 115-0123 | V-BELT | 1 |
| | 98-9676 | V-BELT | 1 |
| BEARINGS | | | |
| | See Quick Reference Guide for detailed information on bearing replacements for this model. Page 30-38 | | |
| | 110-8297 | BEARING ASM | 2 |
| | 251-259 | BEARING-BALL | 2 |
| | 254-72 | BEARING-CUP, TAPERED | 2 |
| TIRES | | | |
| | 121-9072 | TIRE (23 X 10.5 - 12) 6-PLY | 2 |
| STARTER & ALTERNATORS | | | |
| | 131-6557 | ALTERNATOR ASM | 1 |
| | 98-9705 | STARTER ASM | 1 |
| SEAT | | | |
| | 131-6691 | SEAT COVER, LARGE | 1 |
| | 137-1312 | MESH SEAT COVER, LARGE | 1 |
| OTHER | | | |
| | 108-0638 | BOTTLE-OVERFLOW | 1 |
| | 125-1984 | SPACER, HYDRAULIC DRIVE ASM | 5 |
| | 100-1535 | SWITCH | 1 |
| | 104-4246 | FAN - ENGINE | 1 |
| | 32136-2 | NUT - SHH | 3 |
| | 108-6510 | HOSE ASM | 1 |
| | 108-6509 | HOSE ASM | 1 |
| | 110-3575 | DRIVE SHAFT ASM | 1 |
| | 104-0108 | U-BOLT | 4 |
| | 32128-37 | NUT - HF | 8 |
| | 86-6560 | WASHER - THRUST | 1 |
| | 121-3874 | CASTOR WRENCH ASM | 1 |

GROUNDMASTER
GROUNDMASTER® 360



Cutting Unit Parts

| Ref. No. | Part No. | Description | Qty. |
|----------|-------------|---------------------------|------|
| * | 110-9592 | V-BELT | 1 |
| * | 110-9591 | V-BELT | 1 |
| 1 | 3296-60 | NUT-LOCK, NI | 1 |
| 2 | 104-8322 | WASHER-HARDENED | 1 |
| 3 | 104-3546 | PULLEY-DRIVEN, LOW | 1 |
| 3 | 104-3548 | PULLEY-DRIVEN, HIGH | 1 |
| 12 | 104-3547 | PULLEY-DRIVEN, DOUBLE | 1 |
| 4 | 106-7159 | O-RING | 1 |
| 5 | 119-4777 | SPINDLE ASM | 1 |
| 8 | 108-1954 | BEARING SPACER SET | 1 |
| 7 | 110-8297 | BEARING ASM | 1 |
| 6 | 253-154 | SEAL-OIL | 2 |
| 9 | 302-60 | FITTING-GREASE | 1 |
| 10 | 69-6950 | SPACER-SHAFT, SPINDLE | 1 |
| 11 | 108-1956 | SHAFT ASM | 1 |
| 13 | 104-8301 | NUT-FLANGE | 24 |
| 14 | 110-0621-03 | BLADE-MEDIUM FLOW (24.5") | 3 |
| 14 | 110-0624-03 | BLADE-ATOMIC (24.5") | 3 |
| * | 132-1319 | BLADE - HIGH FLOW (19") | A/R |



Cutting Unit Parts

| Ref. No. | Part No. | Description | Qty. |
|----------|-------------|-----------------------------------|------|
| 15 | 72-9361 | CUP-SCALP, ANTI | 3 |
| 16 | 92-5816 | BOLT-BLADE | 3 |
| 17 | 119-4775 | SPINDLE ASM (CAD) | 1 |
| 18 | 104-3549 | ORDER 120-5577 | 1 |
| 18 | 120-5577 | BEARING SPACER SET (CAB) | 1 |
| 19 | 104-3554 | SPINDLE SHAFT ASM (CAB) | 1 |
| * | 01-268-0160 | PULLEY - IDLER | 1 |
| * | 108-1924 | SPACER - IDLER | 2 |
| * | 114-5680 | BUSHING - FLANGE | 2 |
| * | 117-3290 | NUT - HEX | 1 |
| * | 1-523420 | BUMPER (TRIPLE BAGGER HOPPER KIT) | 1 |
| * | 2411-36 | BEARING - END, ROD | 2 |
| * | 32121-110 | PIN - ROLL, SLOTTED | 1 |
| * | 3234-42 | SCREW - HHF | 4 |
| * | 327-7 | SCREW - HH | 2 |
| * | 3296-45 | NUT - LOCK, NI | 2 |
| * | 92-8862 | HOC CAP ASM | 4 |
| * | 105-7443 | SPACER PILOT | 4 |





AERATORS

222 Hydroject® 3000 / 4000 Series

223 ProCore® 440 / 660 / 880

227 Turf Aerators 686 / 687

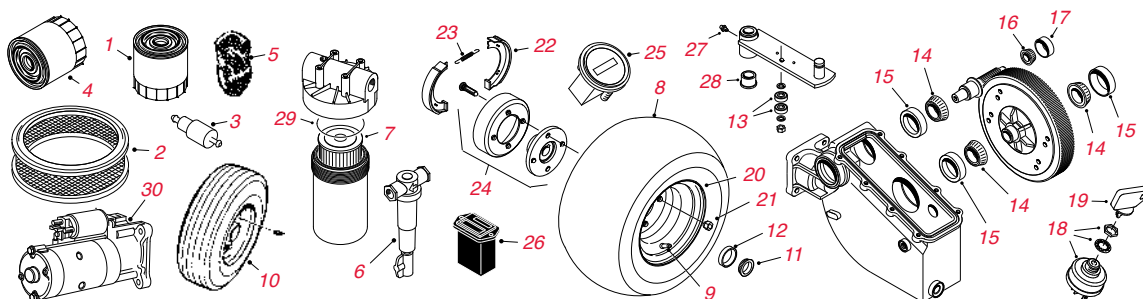
228 ProCore 648 / 864 / 1298

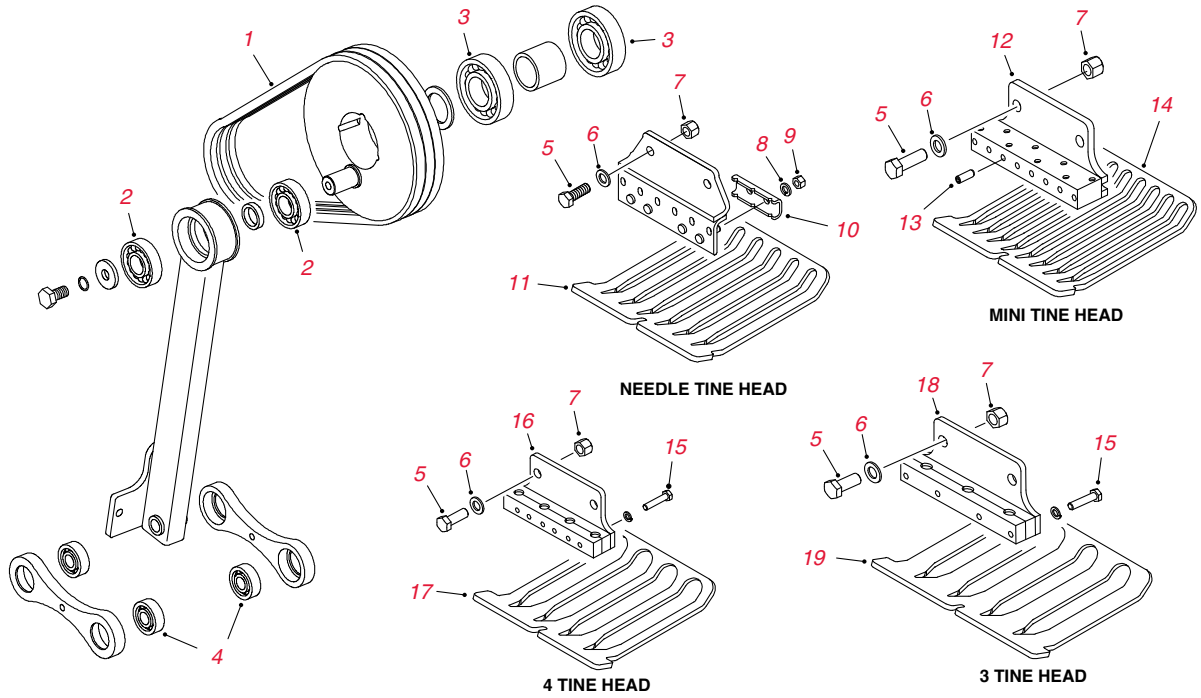
AERATORS

HYDROJECT® 3000 / 4000 SERIES

Hydroject 3000 / 4000 Series

| Ref. No. | Part No. | Description | Qty. |
|----------|----------------|--|------------|
| 1 | 57-8530 | ORDER 108-3817 | 1 |
| 1 | 108-3817 | FILTER - ENGINE OIL | 1 |
| 2 | 82-0660 | ELEMENT - AIR CLEANER | 1 |
| 3 | 71-5960 | FILTER - FUEL | 1 |
| 4 | 67-8110 | FILTER - TRANSMISSION | 1 |
| 5 | 57-8580 | ELEMENT - BREATHER | 1 |
| * | 30008** | 400 Hour Filter MVP Kit | A/R |
| 6 | 86-9100 | ASSEMBLY - PRE-FILTER | 1 |
| * | 86-9120 | BOWL - PRE-FILTER | 1 |
| * | 86-9140 | ELEMENT - PRE-FILTER | 1 |
| 7 | 80-8590 | ORDER 86-8630 | 1 |
| 7 | 86-8620 | ORDER 86-8630 | 1 |
| 7 | 86-8630 | ELEMENT - WATER FILTER (STANDARD) | 1 |
| 7 | 80-9590 | ELEMENT - WATER FILTER (25 MICRON) | 1 |
| 8 | 231-64 | ORDER 28-3680 | 3 |
| 8 | 28-3680 | TIRE (18 X 9.5 - 8) 2-PLY SMOOTH (3000/3010) | 3 |
| 8 | 231-83 | ORDER 231-105 | 3 |
| 8 | 231-105 | TIRE (16 X 6.5 - 8) 4-PLY RIBBED (4000 TONGUE HITCH) | 3 |
| * | 70-9870 | PLATE-BACKING | 1 |
| 9 | 232-27 | ORDER 5108 | 3 |
| 9 | 5108 | VALVE STEM | 3 |
| 10 | 94-8695 | ORDER 108-9955 | 2 |
| 10 | 108-9955 | TIRE (15 X 6-6) 2 PLY (HYDROTOTE TRAILER) | 2 |
| 11 | 254-94 | BEARING CONE | 4 |
| 12 | 254-72 | BEARING CUP | 4 |
| 13 | 251-307 | ORDER 251-259 | 2 |
| 13 | 251-259 | BEARING - BALL (NEUTRAL ARM) | 2 |
| 14 | 254-62 | BEARING CONE | 3 |
| 15 | 254-61 | ORDER 115-9471 | 3 |
| 15 | 115-9471 | BEARING CUP | 3 |
| 16 | 254-68 | BEARING CONE | 1 |
| 17 | 254-67 | BEARING CUP | 1 |
| 18 | 27-2360 | SWITCH W/HARDWARE | 1 |
| 19 | 62-7770 | KEY - IGNITION | 1 |
| 20 | 217-60 | RIM | 3 |
| 21 | 242-50 | NUT - LUG | 12 |
| 22 | 70-9840 | BRAKE SHOE NON-ASBESTOS (SINGLE SHOE) | 2 |
| 23 | 70-9880 | RETAINING SPRING | 2 |
| 24 | 10-6821 | BRAKE DRUM ASSEMBLY | 1 |
| 25 | 66-2950 | HOUR METER | 1 |
| 26 | 75-6820 | HOUR METER | 1 |
| 27 | 302-5 | FITTING - GREASE | 1 |
| 28 | 256-113 | BUSHING - FLANGE | 2 |
| 29 | 237-176 | ORDER 92-9545 | 1 |
| 29 | 92-9545 | O-RING KIT | 1 |
| 30 | 112-7023 | STARTER | 1 |
| * | 29-6162 | SWITCH-MICRO | 1 |





ProCore 440 / 660 / 880

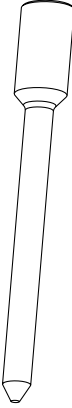
| Ref. No. | Part No. | Description | Qty. |
|----------|-----------|--|------|
| 1 | 100-5392 | V-BELT - STOMPER ARM DRIVE (660/880) | A/R |
| 1 | 100-7644 | V-BELT - STOMPER ARM DRIVE (440) | A/R |
| 2 | 100-5386 | BEARING - BALL (660/880) | 2 |
| 2 | 100-7599 | BEARING - BALL (440) | 2 |
| 3 | 100-5396 | BEARING - BALL (440/660/880) | 6 |
| 4 | 100-7621 | BEARING - BALL (440/660/880) | 2 |
| 5 | 33118-045 | SCREW - HEX HD | 2 |
| 6 | 33098-00 | WASHER - FLAT | 2 |
| 7 | 33028-00 | NUT - LOCK | 2 |
| 8 | 3253-7 | WASHER - LOCK | 2 |
| 9 | 104-9914 | NUT - HEX | 4 |
| 10 | 104-0972 | CLAMP - TINE | 2 |
| 11 | 100-5418 | TURF GUARD - 6-TINE (NEEDLE) HEAD 5 FINGER | A/R |
| 11 | 100-5419 | TURF GUARD - 6-TINE (NEEDLE) HEAD 7 FINGER | A/R |
| 12 | 100-3693 | MINI TINE HEAD ASSEMBLY | 1 |
| 13 | 100-3694 | SCREW - SET | 8 |
| 14 | 100-5420 | TURF GUARD - 8-TINE (MINI) HEAD 9 FINGER | A/R |
| 15 | 33115-050 | SCREW - HEX HD | 4 |
| 16 | 100-3696 | 4-TINE HEAD ASSEMBLY | 1 |
| 16 | 100-7617 | HEAVY DUTY 4-TINE HEAD ASSEMBLY | 1 |
| 17 | 100-5416 | TURF GUARD - 4-TINE HEAD 5 FINGER | A/R |
| 17 | 100-5417 | TURF GUARD - 4-TINE HEAD 7 FINGER | A/R |
| 18 | 100-3695 | 3-TINE HEAD ASSEMBLY | 1 |
| 18 | 100-7618 | HEAVY DUTY 3-TINE HEAD ASSEMBLY | 1 |
| 19 | 100-5414 | TURF GUARD - 3-TINE HEAD 5 FINGER | A/R |
| 19 | 100-5415 | TURF GUARD - 3-TINE HEAD 3 FINGER | A/R |

AERATORS

PROCORE[®] 440 / 660 / 880 TINES – 3/8" MOUNT



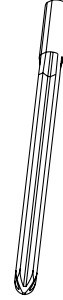
QUAD



SOLID ROUND



SOLID SLICING



SOLID CROSS

ProCore 440 / 660 / 880 Tines – 3/8" Mount

| Part No. | Description | Qty. |
|----------------------|---|------|
| QUAD | | |
| 108-9104 | TITAN QUAD, 3/8" MOUNT (4.50" X .36", .25") | A/R |
| 108-9112 | TITAN QUAD MAX, 3/8" MOUNT (4.50" X .36", .25") | A/R |
| 108-9105 | TITAN QUAD, 3/8" MOUNT (4.50" X .46", .32") | A/R |
| 108-9114 | TITAN QUAD MAX, 3/8" MOUNT (4.50" X .46", .32") | A/R |
| 108-9106 | TITAN QUAD, 3/8" MOUNT (4.50" X .55", .41") | A/R |
| 108-9116 | TITAN QUAD MAX, 3/8" MOUNT (4.50" X .58", .38") | A/R |
| 108-9293 | TITAN QUAD, 3/8" MOUNT (4.50" X .58", .48") | A/R |
| 108-9108 | TITAN QUAD, 3/8" MOUNT (5.00" X .36", .25") | A/R |
| 108-9120 | TITAN QUAD MAX, 3/8" MOUNT (5.00" X .38", .23") | A/R |
| 108-9109 | TITAN QUAD, 3/8" MOUNT (5.00" X .46", .32") | A/R |
| 108-9122 | TITAN QUAD MAX, 3/8" MOUNT (5.00" X .48", .28") | A/R |
| 108-9110 | TITAN QUAD, 3/8" MOUNT (5.00" X .55", .41") | A/R |
| 108-9124 | TITAN QUAD MAX, 3/8" MOUNT (5.00" X .58", .38") | A/R |
| 108-9294 | TITAN QUAD, 3/8" MOUNT (5.00" X .58", .48") | A/R |
| 108-9290 | TITAN QUAD, 3/8" MOUNT (5.50" X .55", .41") | A/R |
| SOLID ROUND | | |
| 108-9230 | TITAN SOLID ROUND, 3/8" MOUNT (4.50" X .20") | A/R |
| 108-9231 | TITAN SOLID ROUND, 3/8" MOUNT (4.50" X .25") | A/R |
| 108-9232 | TITAN SOLID ROUND, 3/8" MOUNT (4.50" X .30") | A/R |
| 108-9233 | TITAN SOLID ROUND, 3/8" MOUNT (4.50" X .38") | A/R |
| 108-9234 | TITAN SOLID ROUND, 3/8" MOUNT (5.50" X .20") | A/R |
| 108-9235 | TITAN SOLID ROUND, 3/8" MOUNT (5.50" X .25") | A/R |
| 108-9236 | TITAN SOLID ROUND, 3/8" MOUNT (5.50" X .30") | A/R |
| 108-9237 | TITAN SOLID ROUND, 3/8" MOUNT (5.50" X .38") | A/R |
| SOLID SLICING | | |
| 108-9238 | TITAN SOLID SLICING, 3/8" MOUNT (5.00" X .63") | A/R |
| SOLID CROSS | | |
| 108-9215 | TITAN CROSS, 3/8" MOUNT (4.50" X .38") | A/R |
| 108-9216 | TITAN CROSS, 3/8" MOUNT (4.50" X .50") | A/R |
| 112-1310 | TITAN CROSS MAX, 3/8" MOUNT (4.50" X .50") | A/R |
| 108-9217 | TITAN CROSS, 3/8" MOUNT (4.50" X .62") | A/R |
| 108-9218 | TITAN CROSS, 3/8" MOUNT (5.50" X .38") | A/R |
| 108-9219 | TITAN CROSS, 3/8" MOUNT (5.50" X .50") | A/R |
| 112-1311 | TITAN CROSS MAX, 3/8" MOUNT (5.50" X .50") | A/R |
| 108-9220 | TITAN CROSS, 3/8" MOUNT (5.50" X .62") | A/R |

ProCore 440 / 660 / 880 Tines – 3/4" Mount

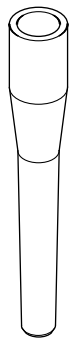
| Part No. | Description | Qty. |
|----------------------|--|------|
| HOLLOW | | |
| 108-9128 | TITAN HOLLOW, 3/4" MOUNT (4.75" X .46", .28") | A/R |
| 108-9139 | TITAN HOLLOW MAX, 3/4" MOUNT (4.75" X .46", .28") | A/R |
| 108-9129 | TITAN HOLLOW, 3/4" MOUNT (4.75" X .56", .41") | A/R |
| 108-9141 | TITAN HOLLOW MAX, 3/4" MOUNT (4.75" X .56", .38") | A/R |
| 108-9130 | TITAN HOLLOW, 3/4" MOUNT (4.75" X .66", .53") | A/R |
| 108-9143 | TITAN HOLLOW MAX, 3/4" MOUNT (4.75" X .66", .48") | A/R |
| 108-9132 | TITAN HOLLOW, 3/4" MOUNT (5.75" X .46", .28") | A/R |
| 108-9145 | TITAN HOLLOW MAX, 3/4" MOUNT (5.75" X .46", .28") | A/R |
| 108-9133 | TITAN HOLLOW, 3/4" MOUNT (5.75" X .56", .41") | A/R |
| 108-9147 | TITAN HOLLOW MAX, 3/4" MOUNT (5.75" X .56", .38") | A/R |
| 108-9134 | TITAN HOLLOW, 3/4" MOUNT (5.75" X .66", .53") | A/R |
| 108-9149 | TITAN HOLLOW MAX, 3/4" MOUNT (5.75" X .66", .48") | A/R |
| 114-0551 | TITAN HOLLOW EXT. TAPER, 3/4" MOUNT (5.75" X .66", .53") | A/R |
| 114-0553 | TITAN HOLLOW EXT. TAPER MAX, 3/4" MOUNT (5.75" X .68", .47") | A/R |
| 66-9140 | CLASSIC HOLLOW, 3/4" MOUNT (4.75" X .50", .40") | A/R |
| 59-3670 | CLASSIC HOLLOW, 3/4" MOUNT (4.75" X .63", .50") | A/R |
| 104-0984 | CLASSIC HOLLOW, 3/4" MOUNT (5.75" X .63", .51") | A/R |
| SIDE EJECT | | |
| 108-9159 | TITAN SIDE EJECT, 3/4" MOUNT (4.75" X .46", .28") | A/R |
| 108-9170 | TITAN SIDE EJECT MAX, 3/4" MOUNT (4.75" X .46", .28") | A/R |
| 108-9160 | TITAN SIDE EJECT, 3/4" MOUNT (4.75" X .56", .41") | A/R |
| 108-9172 | TITAN SIDE EJECT MAX, 3/4" MOUNT (4.75" X .56", .38") | A/R |
| 108-9161 | TITAN SIDE EJECT, 3/4" MOUNT (4.75" X .66", .53") | A/R |
| 108-9174 | TITAN SIDE EJECT MAX, 3/4" MOUNT (4.75" X .66", .48") | A/R |
| 108-9163 | TITAN SIDE EJECT, 3/4" MOUNT (5.75" X .46", .28") | A/R |
| 108-9176 | TITAN SIDE EJECT MAX, 3/4" MOUNT (5.75" X .46", .28") | A/R |
| 108-9164 | TITAN SIDE EJECT, 3/4" MOUNT (5.75" X .56", .41") | A/R |
| 108-9178 | TITAN SIDE EJECT MAX, 3/4" MOUNT (5.75" X .56", .38") | A/R |
| 108-9165 | TITAN SIDE EJECT, 3/4" MOUNT (5.75" X .66", .53") | A/R |
| 108-9180 | TITAN SIDE EJECT MAX, 3/4" MOUNT (5.75" X .66", .48") | A/R |
| 114-0555 | TITAN SIDE EJECT EXT. TAPER, 3/4" MOUNT (5.75" X .66", .53") | A/R |
| 114-0557 | TITAN SIDE EJECT EXT. TAPER MAX, 3/4" MOUNT (5.75" X .66", .47") | A/R |
| 108-9260 | HD FAIRWAY, 3/4" MOUNT (5.75" X .77", .51") | A/R |
| 108-9261 | HD FAIRWAY, 3/4" MOUNT (5.75" X .88", .51") | A/R |
| 104-9876 | FAIRWAY, 3/4" MOUNT (5.75" X .77", .51") | A/R |
| 104-9875 | FAIRWAY, 3/4" MOUNT (5.75" X .88", .51") | A/R |
| SOLID ROUND | | |
| 108-9198 | TITAN SOLID ROUND, 3/4" MOUNT (4.50" X .25") | A/R |
| 108-9199 | TITAN SOLID ROUND, 3/4" MOUNT (4.50" X .30") | A/R |
| 108-9200 | TITAN SOLID ROUND, 3/4" MOUNT (4.50" X .35") | A/R |
| 108-9201 | TITAN SOLID ROUND, 3/4" MOUNT (4.50" X .40") | A/R |
| 108-9202 | TITAN SOLID ROUND, 3/4" MOUNT (4.50" X .50") | A/R |
| 108-9203 | TITAN SOLID ROUND, 3/4" MOUNT (4.50" X .60") | A/R |
| 108-9204 | TITAN SOLID ROUND, 3/4" MOUNT (5.50" X .25") | A/R |
| 108-9205 | TITAN SOLID ROUND, 3/4" MOUNT (5.50" X .30") | A/R |
| 108-9206 | TITAN SOLID ROUND, 3/4" MOUNT (5.50" X .35") | A/R |
| 108-9207 | TITAN SOLID ROUND, 3/4" MOUNT (5.50" X .40") | A/R |
| 108-9208 | TITAN SOLID ROUND, 3/4" MOUNT (5.50" X .50") | A/R |
| 108-9209 | TITAN SOLID ROUND, 3/4" MOUNT (5.50" X .60") | A/R |
| 108-9244 | TITAN SOLID ROUND, 3/4" MOUNT (5.50" X .75") | A/R |
| SOLID SLICING | | |
| 108-9239 | TITAN SOLID SLICING, 3/4" MOUNT (4.50" X .75") | A/R |
| 108-9240 | TITAN SOLID SLICING, 3/4" MOUNT (5.50" X .75") | A/R |

AERATORS

PROCORE[®] 440 / 660 / 880 TINES – 3/4", 7/8" AND NEEDLE MOUNT

ProCore 440 / 660 / 880 Tines – 3/4" Mount - continued

| Part No. | Description | Qty. |
|--------------------|--|------|
| SOLID CROSS | | |
| 108-9221 | TITAN CROSS, 3/4" MOUNT (4.50" X .50") | A/R |
| 112-1312 | TITAN CROSS MAX, 3/4" MOUNT (4.50" X .50") | A/R |
| 108-9222 | TITAN CROSS, 3/4" MOUNT (4.50" X .63") | A/R |
| 108-9223 | TITAN CROSS, 3/4" MOUNT (4.50" X .75") | A/R |
| 108-9224 | TITAN CROSS, 3/4" MOUNT (5.50" X .50") | A/R |
| 112-1313 | TITAN CROSS MAX, 3/4" MOUNT (5.50" X .50") | A/R |
| 108-9225 | TITAN CROSS, 3/4" MOUNT (5.50" X .63") | A/R |
| 108-9226 | TITAN CROSS, 3/4" MOUNT (5.50" X .75") | A/R |



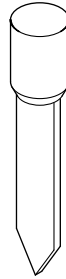
HOLLOW



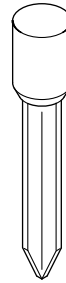
SIDE EJECT



SOLID ROUND



SOLID SLICING



SOLID CROSS



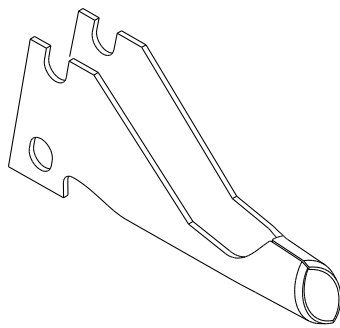
SOLID NEEDLE

ProCore 440 / 660 / 880 Tines – 7/8" and Needle Mount

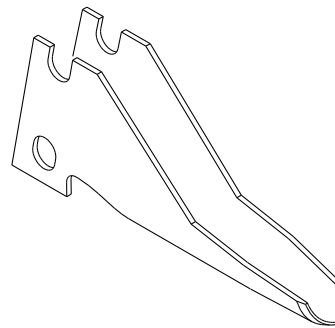
| Part No. | Description | Qty. |
|--------------------|---|------|
| HOLLOW | | |
| 108-9190 | TITAN HOLLOW, 7/8" MOUNT (4.75" X .66", .51") | A/R |
| 108-9155 | TITAN HOLLOW MAX, 7/8" MOUNT (4.75" X .66", .48") | A/R |
| 108-9191 | TITAN HOLLOW, 7/8" MOUNT (4.75" X .76", .63") | A/R |
| 108-9192 | TITAN HOLLOW, 7/8" MOUNT (5.75" X .66", .51") | A/R |
| 108-9157 | TITAN HOLLOW MAX, 7/8" MOUNT (5.75" X .66", .48") | A/R |
| 108-9193 | TITAN HOLLOW, 7/8" MOUNT (5.75" X .76", .63") | A/R |
| 62-4600 | CLASSIC HOLLOW, 7/8" MOUNT (4.75" X .75", .60") | A/R |
| 86-9720 | CLASSIC HOLLOW, 7/8" MOUNT (5.75" X .75", .60") | A/R |
| SIDE EJECT | | |
| 108-9194 | TITAN SIDE EJECT, 7/8" MOUNT (4.75" X .66", .51") | A/R |
| 108-9186 | TITAN SIDE EJECT MAX, 7/8" MOUNT (4.75" X .66", .48") | A/R |
| 108-9195 | TITAN SIDE EJECT, 7/8" MOUNT (4.75" X .76", .63") | A/R |
| 108-9196 | TITAN SIDE EJECT, 7/8" MOUNT (5.75" X .66", .51") | A/R |
| 108-9188 | TITAN SIDE EJECT MAX, 7/8" MOUNT (5.75" X .66", .48") | A/R |
| 108-9197 | TITAN SIDE EJECT, 7/8" MOUNT (5.75" X .76", .63") | A/R |
| 108-9264 | TITAN HD FAIRWAY, 7/8" MOUNT (5.75" X .88", .64") | A/R |
| 108-9265 | TITAN HD FAIRWAY, 7/8" MOUNT (5.75" X 1.0", .64") | A/R |
| 92-7941 | FAIRWAY, 7/8" MOUNT (4.75" X .88", .64") | A/R |
| 92-7900 | FAIRWAY, 7/8" MOUNT (5.75" X .88", .64") | A/R |
| 104-9877 | FAIRWAY, 7/8" MOUNT (5.75" X 1.0", .64") | A/R |
| SOLID ROUND | | |
| 108-9246 | TITAN SOLID ROUND, 7/8" MOUNT (5.50" X .75") | A/R |
| 108-9247 | TITAN SOLID ROUND, 7/8" MOUNT (5.50" X .88") | A/R |

ProCore 440 / 660 / 880 Tines – 7/8" and Needle Mount - continued

| | Part No. | Description | Qty. |
|----------------------|-----------|--|------|
| SOLID SLICING | | | |
| | 108-9242 | TITAN SOLID SLICING, 7/8" MOUNT (5.50" X .75") | A/R |
| SOLID CROSS | | | |
| | 108-9259 | TITAN CROSS, 7/8" MOUNT (5.50" X .88") | A/R |
| SOLID NEEDLE | | | |
| | 100-3620* | TITAN SOLID NEEDLE 3/16" X 6.43" | A/R |
| | 100-3621* | TITAN SOLID NEEDLE 5/16" X 7.38" | A/R |



CLOSED SPOON



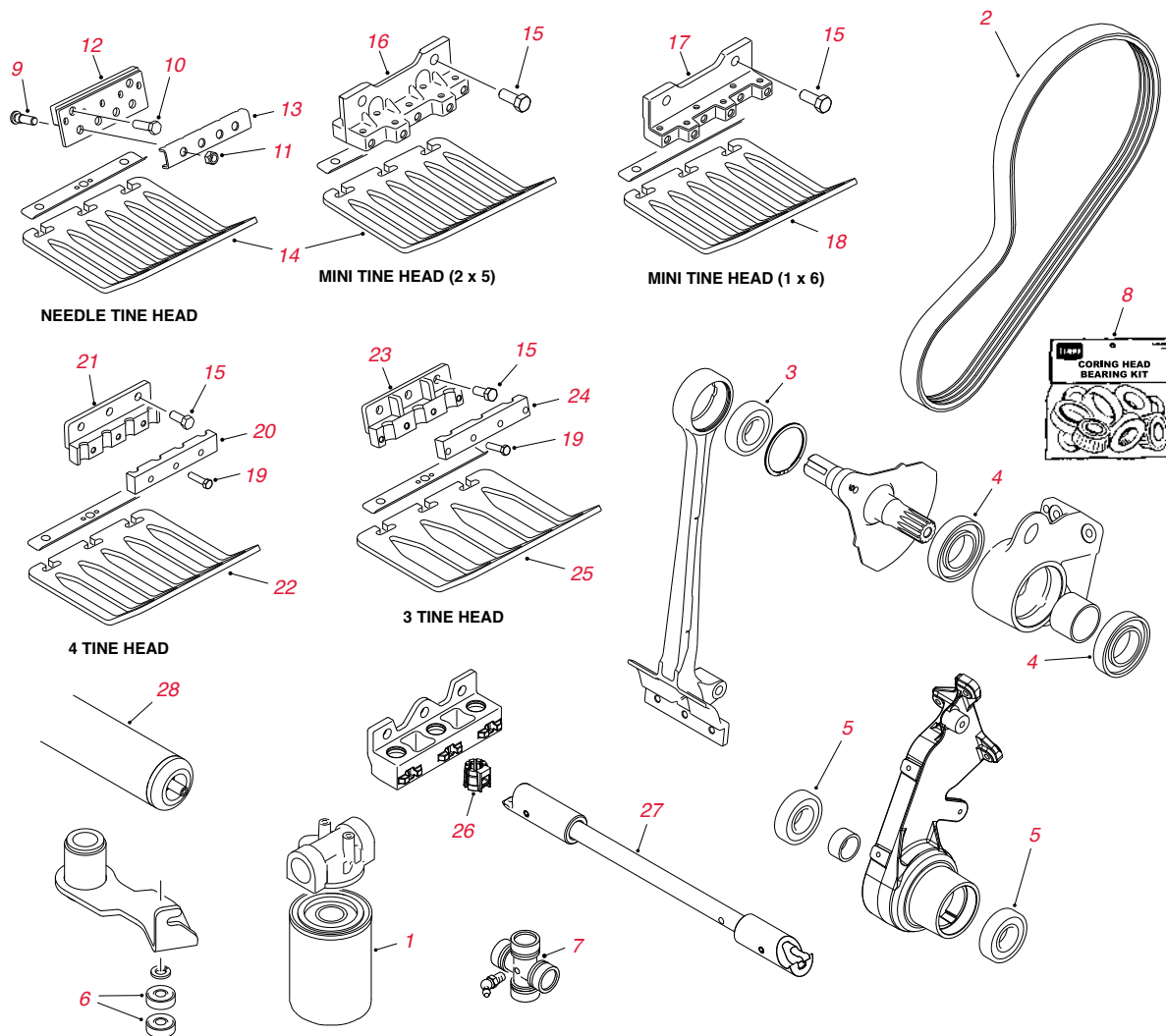
OPEN SPOON

Turf Aerator 686 / 687 Tines

| | Part No. | Description | Qty. |
|---------------------|-------------|----------------------------------|------|
| CLOSED SPOON | | | |
| | 01-283-0050 | ORDER 108-9297 | A/R |
| | 108-9297 | 1/2" SPOON TINE CLOSED (686/687) | A/R |
| | 01-283-0060 | ORDER 108-9299 | A/R |
| | 108-9299 | 3/4" SPOON TINE CLOSED (686/687) | A/R |
| OPEN SPOON | | | |
| | 01-283-0070 | ORDER 108-9296 | A/R |
| | 108-9296 | 1/2" SPOON TINE OPEN (686/687) | A/R |
| | 01-283-0080 | ORDER 108-9298 | A/R |
| | 108-9298 | 3/4" SPOON TINE OPEN (686/687) | A/R |
| | 01-283-0030 | 4" SLICING BLADE (686/687) | A/R |
| | 01-283-0040 | SLICING BLADE (686/687) | A/R |

AERATORS

PROCORE[®] 648 / 864 / 1298



ProCore 648 / 864 / 1298

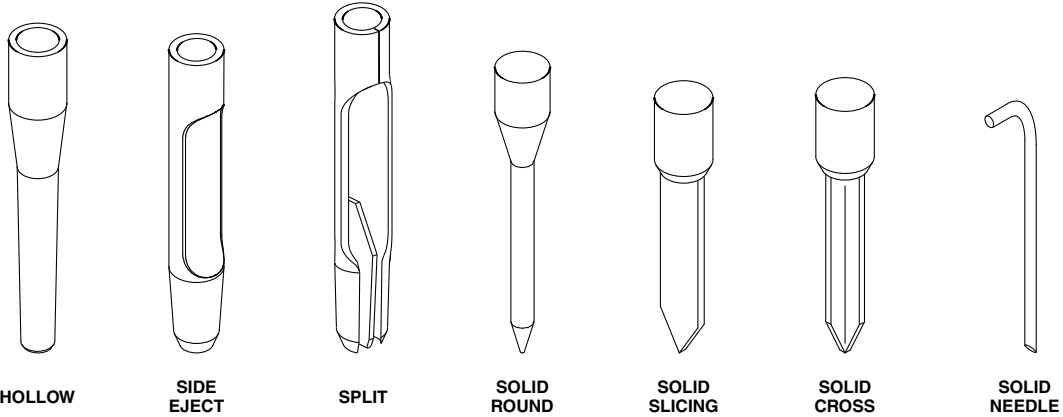
| Ref. No. | Part No. | Description | Qty. |
|----------|-------------------|---|------------|
| * | 108-3847 | FILTER-ENGINE, OIL (PROCORE 648) | 1 |
| 1 | 107-9531 | HYDRAULIC FILTER ELEMENT (648) | 1 |
| 2 | 105-0989 | MULTI-ROW V-BELT - PRIMARY DRIVE (648) | A/R |
| 2 | 105-0991 | MULTI-ROW V-BELT - SECONDARY DRIVE (648) | A/R |
| 2 | 110-4327 | MULTI-ROW V-BELT - SECONDARY DRIVE (864/1298) | A/R |
| 3 | 106-8871 | BEARING - BALL (648) | A/R |
| 3 | 110-4556 | BEARING - BALL (864/1298) | A/R |
| 4 | 105-0965 | BEARING - BALL (648) | A/R |
| 4 | 110-4555 | BEARING - BALL (864/1298) | A/R |
| 5 | 106-8871 | BEARING - BALL (864/1298) | A/R |
| 6 | 251-259 | BEARING - BALL (NEUTRAL ARM - 648) | 2 |
| 7 | 110-4635 | CROSS & BEARING KIT (SHIELDED DRIVESHAFT - 864/1298) | 2 |
| 7 | 110-4641 | CROSS & BEARING KIT (STD. DRIVESHAFT - 864/1298) | 2 |
| 8 | 108-2132** | Coring Head Bearing MVP Kit (648 - 2004-2007) | A/R |
| 8 | 131-4876** | Coring Head Bearing MVP Kit (648 - 2008 & after) | A/R |
| 10 | 325-7 | SCREW - HEX HD. | A/R |
| 11 | 3296-19 | NUT - LOCK | A/R |
| 12 | 108-6846 | HEAD - NEEDLE TINE | A/R |
| 13 | 108-6849-03 | CLAMP - NEEDLE TINE HEAD | A/R |
| 14 | 110-4365 | ORDER 120-1047 | A/R |
| 14 | 120-1047 | TURF GUARD - NEEDLE/2 X 5 MINI TINES SHORT (ALL) | A/R |
| 14 | 110-4366 | ORDER 120-1052 | A/R |
| 14 | 120-1052 | TURF GUARD - NEEDLE/2 X 5 MINI TINES LONG (648/1298) | A/R |

ProCore 648 / 864 / 1298

| Ref. No. | Part No. | Description | Qty. |
|----------|-------------|---|------|
| 14 | 120-1060 | TURF GUARD - NEEDLE/2 X 5 MINI TINES RH (864) | A/R |
| 14 | 120-1062 | TURF GUARD - NEEDLE/2 X 5 MINI TINES LH (864) | A/R |
| 15 | 325-5 | SCREW - HEX HD. | A/R |
| 16 | 105-1184 | MINI TINE HEAD ASSEMBLY - 2 X 5 | A/R |
| 17 | 108-6809 | MINI TINE HEAD ASSEMBLY - 1 X 6 | A/R |
| 18 | 110-4369 | ORDER 120-1050 | 4 |
| | 120-1050 | TURF GUARD - 1 X 6 MINI TINES SHORT (1298) | A/R |
| 18 | 110-4370 | ORDER 120-1053 | 2 |
| | 120-1053 | TURF GUARD - 1 X 6 MINI TINES LONG (1298) | A/R |
| 18 | 115-2801 | ORDER 120-1063 | 1 |
| 18 | 120-1063 | TURF GUARD - 1X6 MINI TINES RH (864) | 1 |
| 18 | 115-2802 | TURF GUARD - 1 X 6 MINI TINES LH (864) | 1 |
| 19 | 323-8 | SCREW - HEX HD. | A/R |
| 20 | 105-1032-03 | CLAMP - 4-TINE HEAD 3/4" | A/R |
| 21 | 105-1045-03 | HEAD - 4-TINE 3/4" | A/R |
| 22 | 110-4361 | ORDER 120-1045 | A/R |
| 22 | 120-1045 | TURF GUARD - 4-TINE HEAD SHORT (648/864/1298) | A/R |
| 22 | 110-4362 | ORDER 120-1046 | A/R |
| 22 | 120-1046 | TURF GUARD - 4-TINE HEAD LONG (648/1298) | A/R |
| 22 | 110-4363 | ORDER 120-1059 | A/R |
| 22 | 120-1059 | TURF GUARD - 4-TINE HEAD RH (864) | A/R |
| 22 | 120-1060 | TURF GUARD - 4-TINE HEAD LH (864) | A/R |
| 23 | 105-1036-03 | HEAD - 3-TINE 3/4" | A/R |
| 23 | 108-2122-03 | ORDER 110-4692-03 | A/R |
| 23 | 110-4692-03 | HEAD - 3-TINE 7/8" | A/R |
| 24 | 105-1038-03 | CLAMP - 3-TINE HEAD 3/4" | A/R |
| 24 | 108-2124-03 | CLAMP - 3-TINE HEAD 7/8" | A/R |
| 25 | 110-4357 | ORDER 120-1044 | A/R |
| 25 | 120-1044 | TURF GUARD - 3-TINE HEAD SHORT (648/864/1298) | A/R |
| 25 | 105-1107 | ORDER 120-1051 | A/R |
| 25 | 120-1051 | TURF GUARD - 3-TINE HEAD LONG (648 2004 AND UP) | A/R |
| 25 | 110-4358 | ORDER 120-1051 | A/R |
| 25 | 110-4359 | ORDER 120-1057 | A/R |
| 25 | 120-1057 | TURF GUARD - 3-TINE HEAD RH (864) | A/R |
| 25 | 110-4360 | ORDER 120-1058 | A/R |
| 25 | 120-1058 | TURF GUARD - 3-TINE HEAD LH (864) | A/R |
| 26 | 108-6837 | SLEEVE - QUICK CHANGE TINE (3/4") | A/R |
| 26 | 108-6838 | ORDER 131-4889 | A/R |
| * | 131-4889 | INSERT-SLEEVE, 7/8" | A/R |
| 27 | 114-0590-01 | TOOL - QUICK CHANGE TINE | 1 |
| 28 | 110-4444 | REAR ROLLER ASSEMBLY (648) | 1 |
| 28 | 110-4252-03 | REAR ROLLER ASSEMBLY (864/1298) | 1 |
| * | 99-3623-03 | ARM-IDLER | 1 |
| * | 114-4665 | TIRE ASM | 3 |
| * | 114-4643 | WHEEL (PROCORE 648) | 1 |
| * | 104-8331 | END - ROD, SPHERICAL | 2 |
| * | 105-3249 | DAMPER | 1 |
| * | 115-3488 | SPRING - TORSION | 1 |
| * | 321-10 | SCREW - HH | 4 |
| * | 32121-110 | PIN - ROLL, SLOTTED | 2 |
| * | 32144-4 | SCREW - HWH | 10 |
| * | 3234-42 | SCREW - HHF | 1 |
| * | 325-12 | SCREW - HH | 9 |
| * | 325-13 | SCREW - HH | 4 |
| * | 3256-28 | WASHER - FLAT | 1 |
| * | 3296-45 | NUT - LOCK, NI | 1 |
| * | 3296-51 | NUT - LOCK, NI | 1 |
| * | 74-1810 | WASHER | 1 |
| * | 99-3624 | SHAFT - PIVOT, IDLER | 1 |
| * | 104-8162 | BATTERY - DRY (648) | 1 |
| * | 32128-37 | NUT - HF (648) | 2 |
| * | 256-304 | WASHER - THRUST (1298) | 4 |
| * | 3243-1 | SCREW - SET | 2 |

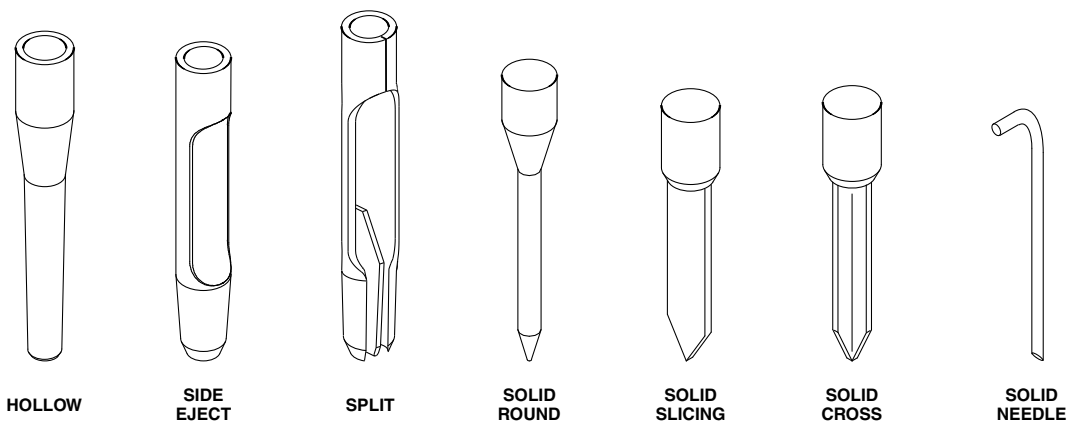
AERATORS

PROCORE[®] 648 / 864 / 1298 TINES – 3/8" MOUNT



ProCore 648 / 864 / 1298 Tines – 3/8" Mount

| Part No. | Description | Qty. |
|----------------------|---|------|
| QUAD | | |
| 108-9104 | TITAN QUAD, 3/8" MOUNT (4.50" X .36", .25") | A/R |
| 108-9112 | TITAN QUAD MAX, 3/8" MOUNT (4.50" X .38", .23") | A/R |
| 108-9105 | TITAN QUAD, 3/8" MOUNT (4.50" X .46", .32") | A/R |
| 108-9114 | TITAN QUAD MAX, 3/8" MOUNT (4.50" X .46", .28") | A/R |
| 108-9106 | TITAN QUAD, 3/8" MOUNT (4.50" X .55", .41") | A/R |
| 108-9116 | TITAN QUAD MAX, 3/8" MOUNT (4.50" X .58", .38") | A/R |
| 108-9293 | TITAN QUAD, 3/8" MOUNT (4.50" X .58", .48") | A/R |
| 108-9108 | TITAN QUAD, 3/8" MOUNT (5.00" X .36", .25") | A/R |
| 108-9120 | TITAN QUAD MAX, 3/8" MOUNT (5.00" X .38", .23") | A/R |
| 108-9109 | TITAN QUAD, 3/8" MOUNT (5.00" X .46", .32") | A/R |
| 108-9122 | TITAN QUAD MAX, 3/8" MOUNT (5.00" X .48", .28") | A/R |
| 108-9110 | TITAN QUAD, 3/8" MOUNT (5.00" X .55", .41") | A/R |
| 108-9124 | TITAN QUAD MAX, 3/8" MOUNT (5.00" X .58", .38") | A/R |
| 108-9294 | TITAN QUAD, 3/8" MOUNT (5.00" X .58", .48") | A/R |
| 108-9290 | TITAN QUAD, 3/8" MOUNT (5.50" X .55", .41") | A/R |
| SOLID ROUND | | |
| 108-9230 | TITAN SOLID ROUND, 3/8" MOUNT (4.50" X .20") | A/R |
| 108-9231 | TITAN SOLID ROUND, 3/8" MOUNT (4.50" X .25") | A/R |
| 108-9232 | TITAN SOLID ROUND, 3/8" MOUNT (4.50" X .30") | A/R |
| 108-9233 | TITAN SOLID ROUND, 3/8" MOUNT (4.50" X .38") | A/R |
| 108-9234 | TITAN SOLID ROUND, 3/8" MOUNT (5.50" X .20") | A/R |
| 108-9235 | TITAN SOLID ROUND, 3/8" MOUNT (5.50" X .25") | A/R |
| 108-9236 | TITAN SOLID ROUND, 3/8" MOUNT (5.50" X .30") | A/R |
| 108-9237 | TITAN SOLID ROUND, 3/8" MOUNT (5.50" X .38") | A/R |
| SOLID SLICING | | |
| 108-9238 | TITAN SOLID SLICING, 3/8" MOUNT (5.00" X .63") | A/R |
| SOLID CROSS | | |
| 108-9215 | TITAN CROSS, 3/8" MOUNT (4.50" X .38") | A/R |
| 108-9216 | TITAN CROSS, 3/8" MOUNT (4.50" X .50") | A/R |
| 112-1310 | TITAN CROSS MAX, 3/8" MOUNT (4.50" X .50") | A/R |
| 108-9217 | TITAN CROSS, 3/8" MOUNT (4.50" X .62") | A/R |
| 108-9218 | TITAN CROSS, 3/8" MOUNT (5.50" X .38") | A/R |
| 108-9219 | TITAN CROSS, 3/8" MOUNT (5.50" X .50") | A/R |
| 112-1311 | TITAN CROSS MAX, 3/8" MOUNT (5.50" X .50") | A/R |
| 108-9220 | TITAN CROSS, 3/8" MOUNT (5.50" X .62") | A/R |



ProCore 648 / 864 / 1298 Tines – 3/4" Mount

| Part No. | Description | Qty. |
|-------------------|--|------|
| <i>HOLLOW</i> | | |
| 108-9128 | TITAN HOLLOW, 3/4" MOUNT (4.75" X .46", .28") | A/R |
| 108-9139 | TITAN HOLLOW MAX, 3/4" MOUNT (4.75" X .46", .28") | A/R |
| 108-9129 | TITAN HOLLOW, 3/4" MOUNT (4.75" X .56", .41") | A/R |
| 108-9141 | TITAN HOLLOW MAX, 3/4" MOUNT (4.75" X .56", .38") | A/R |
| 108-9130 | TITAN HOLLOW, 3/4" MOUNT (4.75" X .66", .53") | A/R |
| 108-9143 | TITAN HOLLOW MAX, 3/4" MOUNT (4.75" X .66", .48") | A/R |
| 108-9132 | TITAN HOLLOW, 3/4" MOUNT (5.75" X .46", .28") | A/R |
| 108-9145 | TITAN HOLLOW MAX, 3/4" MOUNT (5.75" X .46", .28") | A/R |
| 108-9133 | TITAN HOLLOW, 3/4" MOUNT (5.75" X .56", .41") | A/R |
| 108-9147 | TITAN HOLLOW MAX, 3/4" MOUNT (5.75" X .56", .38") | A/R |
| 108-9134 | TITAN HOLLOW, 3/4" MOUNT (5.75" X .66", .53") | A/R |
| 108-9149 | TITAN HOLLOW MAX, 3/4" MOUNT (5.75" X .66", .48") | A/R |
| 108-9138 | TITAN HOLLOW, 3/4" MOUNT (6.50" X .46", .28") | A/R |
| 108-9135 | TITAN HOLLOW MAX, 3/4" MOUNT (6.50" X .46", .28") | A/R |
| 108-9136 | TITAN HOLLOW, 3/4" MOUNT (6.50" X .56", .41") | A/R |
| 108-9151 | TITAN HOLLOW MAX, 3/4" MOUNT (6.50" X .56", .38") | A/R |
| 108-9137 | TITAN HOLLOW, 3/4" MOUNT (6.50" X .66", .53") | A/R |
| 108-9153 | TITAN HOLLOW MAX, 3/4" MOUNT (6.50" X .66", .48") | A/R |
| 114-0551 | TITAN HOLLOW EXT. TAPER, 3/4" MOUNT (5.75" X .66", .53") | A/R |
| 114-0553 | TITAN HOLLOW EXT. TAPER MAX, 3/4" MOUNT (5.75" X .66", .47") | A/R |
| 114-0550 | TITAN HOLLOW EXT. TAPER, 3/4" MOUNT (6.50" X .66", .53") | A/R |
| 114-0561 | TITAN HOLLOW EXT. TAPER MAX, 3/4" MOUNT (6.50" X .66", .47") | A/R |
| 66-9140 | CLASSIC HOLLOW, 3/4" MOUNT (4.75" X .50", .40") | A/R |
| 59-3670 | CLASSIC HOLLOW, 3/4" MOUNT (4.75" X .63", .50") | A/R |
| 104-0984 | CLASSIC HOLLOW, 3/4" MOUNT (5.75" X .63", .51") | A/R |
| 105-1180 | CLASSIC HOLLOW, 3/4" MOUNT (6.50" X .66", .39") | A/R |
| <i>SIDE EJECT</i> | | |
| 108-9159 | TITAN SIDE EJECT, 3/4" MOUNT (4.75" X .46", .28") | A/R |
| 108-9170 | TITAN SIDE EJECT MAX, 3/4" MOUNT (4.75" X .46", .28") | A/R |
| 108-9160 | TITAN SIDE EJECT, 3/4" MOUNT (4.75" X .56", .41") | A/R |
| 108-9172 | TITAN SIDE EJECT MAX, 3/4" MOUNT (4.75" X .56", .38") | A/R |
| 108-9161 | TITAN SIDE EJECT, 3/4" MOUNT (4.75" X .66", .53") | A/R |
| 108-9174 | TITAN SIDE EJECT MAX, 3/4" MOUNT (4.75" X .66", .48") | A/R |
| 108-9163 | TITAN SIDE EJECT, 3/4" MOUNT (5.75" X .46", .28") | A/R |
| 108-9176 | TITAN SIDE EJECT MAX, 3/4" MOUNT (5.75" X .46", .28") | A/R |
| 108-9164 | TITAN SIDE EJECT, 3/4" MOUNT (5.75" X .56", .41") | A/R |
| 108-9178 | TITAN SIDE EJECT MAX, 3/4" MOUNT (5.75" X .56", .38") | A/R |

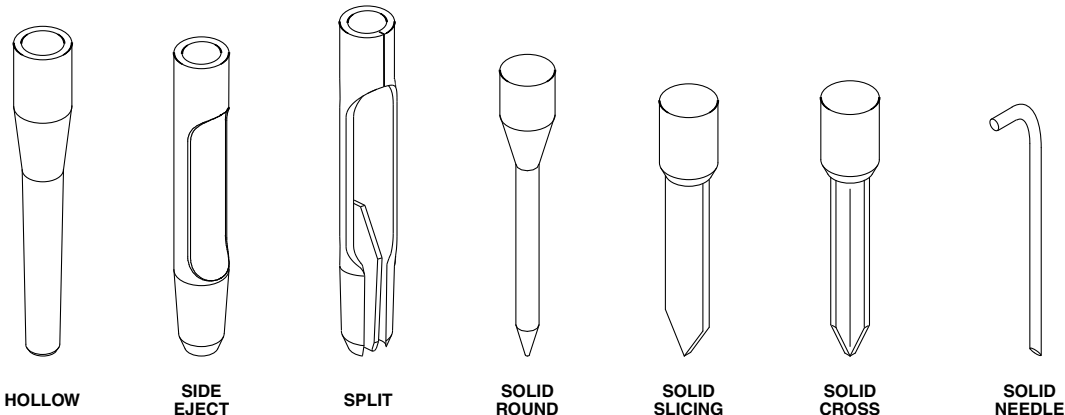
AERATORS

PROCORE® 648 / 864 / 1298 TINES – 3/4" MOUNT

ProCore 648 / 864 / 1298 Tines – 3/4" Mount

| Part No. | Description | Qty. |
|----------------------|--|------|
| SIDE EJECT | | |
| 108-9165 | TITAN SIDE EJECT, 3/4" MOUNT (5.75" X .66", .53") | A/R |
| 108-9180 | TITAN SIDE EJECT MAX, 3/4" MOUNT (5.75" X .66", .48") | A/R |
| 108-9162 | TITAN SIDE EJECT, 3/4" MOUNT (6.50" X .46", .28") | A/R |
| 108-9166 | TITAN SIDE EJECT MAX, 3/4" MOUNT (6.50" X .46", .28") | A/R |
| 108-9167 | TITAN SIDE EJECT, 3/4" MOUNT (6.50" X .56", .41") | A/R |
| 108-9182 | TITAN SIDE EJECT MAX, 3/4" MOUNT (6.50" X .56", .38") | A/R |
| 108-9168 | TITAN SIDE EJECT, 3/4" MOUNT (6.50" X .66", .53") | A/R |
| 108-9184 | TITAN SIDE EJECT MAX, 3/4" MOUNT (6.50" X .66", .48") | A/R |
| 114-0555 | TITAN SIDE EJECT EXT. TAPER, 3/4" MOUNT (5.75" X .66", .53") | A/R |
| 114-0557 | TITAN SIDE EJECT EXT. TAPER MAX, 3/4" MOUNT (5.75" X .66", .47") | A/R |
| 114-0558 | TITAN SIDE EJECT EXT. TAPER, 3/4" MOUNT (6.50" X .66", .53") | A/R |
| 114-0560 | TITAN SIDE EJECT EXT. TAPER MAX, 3/4" MOUNT (6.50" X .66", .47") | A/R |
| 108-9260 | HD FAIRWAY, 3/4" MOUNT (5.75" X .77", .51") | A/R |
| 108-9261 | HD FAIRWAY, 3/4" MOUNT (5.75" X .88", .51") | A/R |
| 104-9876 | FAIRWAY, 3/4" MOUNT (5.75" X .77", .51") | A/R |
| 104-9875 | FAIRWAY, 3/4" MOUNT (5.75" X .88", .51") | A/R |
| SPLIT | | |
| 112-5122 | TITAN SPLIT, 3/4" MOUNT (5.75" X .88", .51") | A/R |
| SOLID ROUND | | |
| 77-5320 | TITAN SOLID ROUND, 3/4" MOUNT (3.25" X .313") | A/R |
| 108-9198 | TITAN SOLID ROUND, 3/4" MOUNT (4.50" X .25") | A/R |
| 108-9199 | TITAN SOLID ROUND, 3/4" MOUNT (4.50" X .30") | A/R |
| 108-9200 | TITAN SOLID ROUND, 3/4" MOUNT (4.50" X .35") | A/R |
| 108-9201 | TITAN SOLID ROUND, 3/4" MOUNT (4.50" X .40") | A/R |
| 108-9202 | TITAN SOLID ROUND, 3/4" MOUNT (4.50" X .50") | A/R |
| 108-9203 | TITAN SOLID ROUND, 3/4" MOUNT (4.50" X .60") | A/R |
| 108-9204 | TITAN SOLID ROUND, 3/4" MOUNT (5.50" X .25") | A/R |
| 108-9205 | TITAN SOLID ROUND, 3/4" MOUNT (5.50" X .30") | A/R |
| 108-9206 | TITAN SOLID ROUND, 3/4" MOUNT (5.50" X .35") | A/R |
| 108-9207 | TITAN SOLID ROUND, 3/4" MOUNT (5.50" X .40") | A/R |
| 108-9208 | TITAN SOLID ROUND, 3/4" MOUNT (5.50" X .50") | A/R |
| 108-9209 | TITAN SOLID ROUND, 3/4" MOUNT (5.50" X .60") | A/R |
| 108-9244 | TITAN SOLID ROUND, 3/4" MOUNT (5.50" X .75") | A/R |
| 108-9210 | TITAN SOLID ROUND, 3/4" MOUNT (6.50" X .30") | A/R |
| 108-9211 | TITAN SOLID ROUND, 3/4" MOUNT (6.50" X .35") | A/R |
| 108-9212 | TITAN SOLID ROUND, 3/4" MOUNT (6.50" X .40") | A/R |
| 108-9213 | TITAN SOLID ROUND, 3/4" MOUNT (6.50" X .50") | A/R |
| 108-9214 | TITAN SOLID ROUND, 3/4" MOUNT (6.50" X .60") | A/R |
| 108-9245 | TITAN SOLID ROUND, 3/4" MOUNT (6.50" X .75") | A/R |
| SOLID SLICING | | |
| 108-9239 | TITAN SOLID SLICING, 3/4" MOUNT (4.50" X .75") | A/R |
| 108-9240 | TITAN SOLID SLICING, 3/4" MOUNT (5.50" X .75") | A/R |
| 108-9241 | TITAN SOLID SLICING, 3/4" MOUNT (6.50" X .75") | A/R |
| SOLID CROSS | | |
| 108-9221 | TITAN CROSS, 3/4" MOUNT (4.50" X .50") | A/R |
| 112-1312 | TITAN CROSS MAX, 3/4" MOUNT (4.50" X .50") | A/R |
| 108-9222 | TITAN CROSS, 3/4" MOUNT (4.50" X .63") | A/R |
| 108-9223 | TITAN CROSS, 3/4" MOUNT (4.50" X .75") | A/R |
| 108-9224 | TITAN CROSS, 3/4" MOUNT (5.50" X .50") | A/R |
| 112-1313 | TITAN CROSS MAX, 3/4" MOUNT (5.50" X .50") | A/R |
| 108-9225 | TITAN CROSS, 3/4" MOUNT (5.50" X .63") | A/R |
| 108-9226 | TITAN CROSS, 3/4" MOUNT (5.50" X .75") | A/R |
| 108-9227 | TITAN CROSS, 3/4" MOUNT (6.50" X .50") | A/R |
| 112-1314 | TITAN CROSS MAX, 3/4" MOUNT (6.50" X .50") | A/R |
| 108-9228 | TITAN CROSS, 3/4" MOUNT (6.50" X .62") | A/R |
| 108-9229 | TITAN CROSS, 3/4" MOUNT (6.50" X .75") | A/R |

PROCORE® 648 / 864 / 1298 TINES – 7/8" AND NEEDLE MOUNT



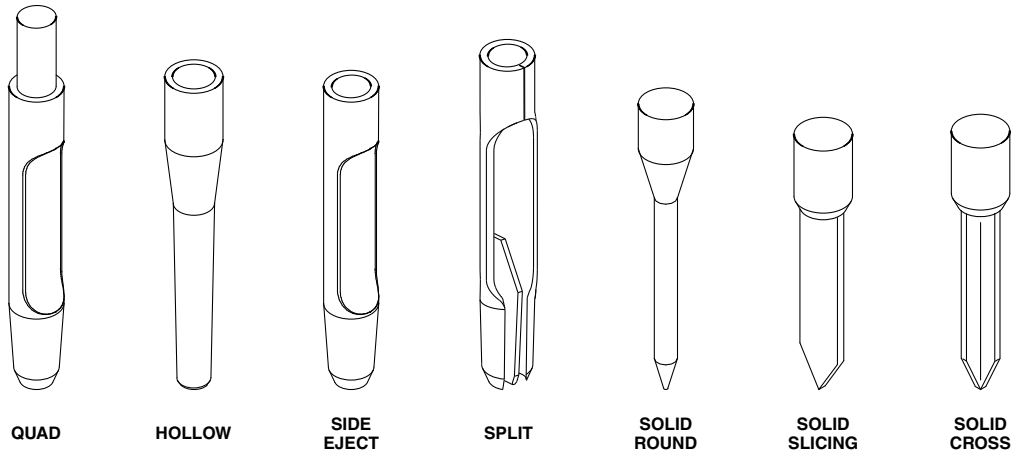
ProCore 648 / 864 / 1298 Tines – 7/8" and Needle Mount

| Part No. | Description | Qty. |
|----------------------|---|------|
| HOLLOW | | |
| 108-9190 | TITAN HOLLOW, 7/8" MOUNT (4.75" X .66", .51") | A/R |
| 108-9155 | TITAN HOLLOW MAX, 7/8" MOUNT (4.75" X .66", .48") | A/R |
| 108-9191 | TITAN HOLLOW, 7/8" MOUNT (4.75" X .76", .63") | A/R |
| 108-9192 | TITAN HOLLOW, 7/8" MOUNT (5.75" X .66", .51") | A/R |
| 108-9157 | TITAN HOLLOW MAX, 7/8" MOUNT (5.75" X .66", .48") | A/R |
| 108-9193 | TITAN HOLLOW, 7/8" MOUNT (5.75" X .76", .63") | A/R |
| 62-4600 | CLASSIC HOLLOW, 7/8" MOUNT (4.75" X .75", .60") | A/R |
| 86-9720 | CLASSIC HOLLOW, 7/8" MOUNT (5.75" X .75", .60") | A/R |
| SIDE EJECT | | |
| 108-9194 | TITAN SIDE EJECT, 7/8" MOUNT (4.75" X .66", .51") | A/R |
| 108-9186 | TITAN SIDE EJECT MAX, 7/8" MOUNT (4.75" X .66", .48") | A/R |
| 108-9195 | TITAN SIDE EJECT, 7/8" MOUNT (4.75" X .76", .63") | A/R |
| 108-9196 | TITAN SIDE EJECT, 7/8" MOUNT (5.75" X .66", .51") | A/R |
| 108-9188 | TITAN SIDE EJECT MAX, 7/8" MOUNT (5.75" X .66", .48") | A/R |
| 108-9197 | TITAN SIDE EJECT, 7/8" MOUNT (5.75" X .76", .63") | A/R |
| 108-9264 | TITAN HD FAIRWAY, 7/8" MOUNT (5.75" X .88", .64") | A/R |
| 108-9265 | TITAN HD FAIRWAY, 7/8" MOUNT (5.75" X 1.0", .64") | A/R |
| 92-7941 | FAIRWAY, 7/8" MOUNT (4.75" X .88", .64") | A/R |
| 92-7900 | FAIRWAY, 7/8" MOUNT (5.75" X .88", .64") | A/R |
| 104-9877 | FAIRWAY, 7/8" MOUNT (5.75" X 1.0", .64") | A/R |
| SPLIT | | |
| 112-5121 | TITAN SPLIT, 7/8" MOUNT (5.75" X .88", .64") | A/R |
| 112-5123 | TITAN SPLIT, 3/4" MOUNT (5.75" X .92", .64") | A/R |
| SOLID ROUND | | |
| 108-9246 | TITAN SOLID ROUND, 7/8" MOUNT (5.50" X .75") | A/R |
| 108-9247 | TITAN SOLID ROUND, 7/8" MOUNT (5.50" X .88") | A/R |
| 108-9248 | TITAN SOLID ROUND, 7/8" MOUNT (6.50" X .75") | A/R |
| 108-9249 | TITAN SOLID ROUND, 7/8" MOUNT (6.50" X .88") | A/R |
| SOLID SLICING | | |
| 108-9242 | TITAN SOLID SLICING, 7/8" MOUNT (5.50" X .75") | A/R |
| 108-9243 | TITAN SOLID SLICING, 7/8" MOUNT (6.50" X .75") | A/R |
| SOLID CROSS | | |
| 108-9259 | TITAN CROSS, 7/8" MOUNT (5.50" X .88") | A/R |
| SOLID NEEDLE | | |
| 100-3620* | TITAN SOLID NEEDLE (6.43" X .188") | A/R |
| 100-3621* | TITAN SOLID NEEDLE (7.38" X .313") | A/R |

*Not illustrated. **Not sold separately. See pages 20-33 for kit contents. Prices subject to change without notice. Please see your Parts Catalog or Master Parts Viewer to ensure the correct part is ordered, as the part you need may not be listed above. toro.com/parts

AERATORS

TINES FOR COMPETITIVE MODELS – 1/2" AND 5/8" MOUNT

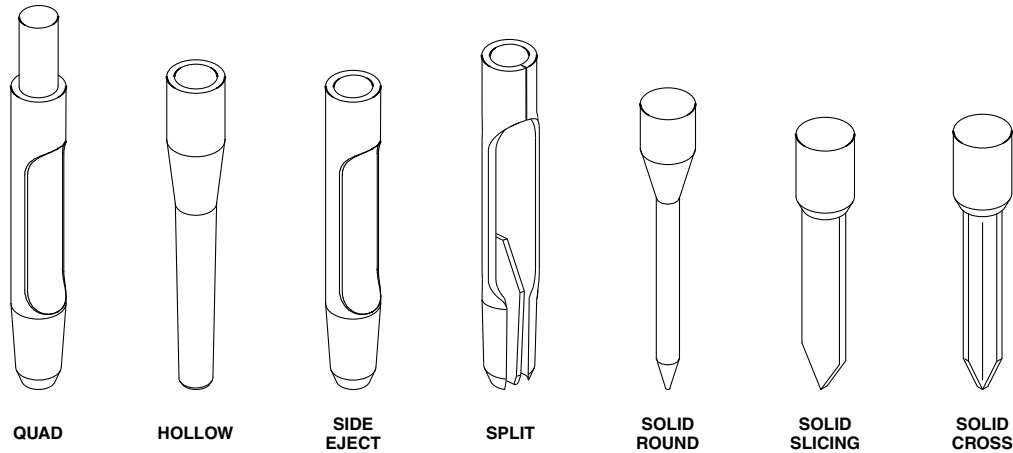


Tines for Competitive Models – 1/2" and 5/8" Mount

| | Part No. | Description | Qty. |
|----------------------|----------|---|------|
| QUAD | 112-1316 | TITAN QUAD 1/2" (4.5" X .46", .32") | A/R |
| | 112-1322 | TITAN MAX QUAD 1/2" (4.5" X .480") | A/R |
| SOLID ROUND | 112-1347 | TITAN SOLID ROUND 1/2" (4.50" X .500") | A/R |
| | 112-1329 | TITAN SOLID ROUND 1/2" (5.50" X .250") | A/R |
| | 112-1330 | TITAN SOLID ROUND 1/2" (5.50" X .375") | A/R |
| SOLID CROSS | 112-5105 | TITAN SOLID CROSS 3/8" (5.50" X .500") (INCL 1/2" SLEEVE) | A/R |
| SOLID SLICING | 112-5102 | TITAN SOLID SLICING 3/8" (5.00" X .625") (INCL 1/2" SLEEVE) | A/R |
| | 112-1300 | ORDER 114-0583 | |
| | 114-0583 | SLEEVE - 1/2" (FOR 3/8" TINES) | A/R |
| QUAD | 112-1332 | TITAN QUAD 5/8" (4.5" X .458") | A/R |
| HOLLOW | 112-1306 | TITAN HOLLOW 5/8 (4.50") | A/R |
| | 112-1307 | TITAN MAX HOLLOW 3/4" (4.50" X .580") | A/R |
| SIDE EJECT | 112-1303 | TITAN SIDE EJECT 5/8" (4.50" X .560") | A/R |
| | 112-1304 | TITAN MAX SIDE-EJECT 5/8" (4.50" X .580") | A/R |
| SOLID ROUND | 112-1348 | TITAN SOLID ROUND 5/8" (4.50" X .625") | A/R |
| SOLID CROSS | 112-5106 | TITAN SOLID CROSS 3/8" (4.50" X .500") (INCL 5/8" SLEEVE) | A/R |
| SOLID SLICING | 112-5103 | TITAN SOLID SLICING 3/8" (5.00" X .625") (INCL 5/8" SLEEVE) | A/R |
| | 112-1301 | SLEEVE - 5/8" (FOR 3/8" TINES) | A/R |

AERATORS

PROCORE[®] SR SERIES

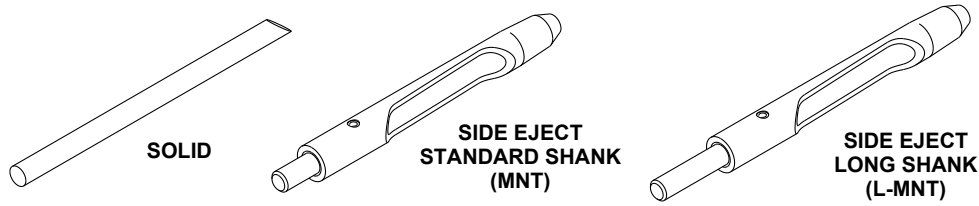


Procore[®] SR Series

| Ref. No. | Part No. | Description | Qty. |
|----------|----------|---|------|
| 1 | 117-7190 | ADAPTER HEAD KIT - 10 5/16" TINES PER HEAD | A/R |
| 1 | 117-7192 | ADAPTER HEAD KIT - 8 3/8" TINES PER HEAD | A/R |
| 2 | 117-7191 | ADAPTER HEAD KIT - 10 12mm TINES PER HEAD | A/R |
| 3 | 117-7193 | ADAPTER HEAD KIT - 6 5/16" or 6 3/8" TINES PER HEAD | A/R |
| 4 | 117-7194 | ADAPTER HEAD KIT - 2 18mm TINES PER HEAD | A/R |
| 5 | 117-7195 | ADAPTER HEAD KIT - 2 5/16" or 2 12mm TINES PER HEAD | A/R |
| 6 | 117-7196 | ADAPTER HEAD KIT - 4 5/16" or 4 3/8" TINES PER HEAD | A/R |
| 7 | 117-7199 | ADAPTER HEAD KIT - 8 3/8" TINES PER HEAD | A/R |
| 8 | 117-7198 | ADAPTER HEAD KIT - 4 12mm or 3 18mm TINES PER HEAD | A/R |
| 9 | SGA10375 | ADAPTER SLEEVE - 5/16" TINE to 12mm HOLE (MNT) | A/R |
| 10 | SGA08313 | ADAPTER SLEEVE - 5/16" TINE to 12mm HOLE (L-MNT) | A/R |
| 10 | SGA12375 | ADAPTER SLEEVE - 3/8" TINE to 12mm HOLE (L-MNT) | A/R |
| 11 | SG715802 | ADAPTER SLEEVE - 18mm TINE to 7/8" HOLE (L-MNT) | A/R |
| 12 | SG148160 | WIRE & SPRING ASSEMBLY (SR72) | 12 |
| 13 | SG481512 | SPRING - COMPRESSION (SR72) | 12 |
| 14 | SG482016 | LEADING WIRE - DRAW BAR (SR72) | 24 |
| 14 | SG482017 | TRAILING WIRE - DRAW BAR (SR72) | 12 |
| 12 | SG487054 | WIRE & SPRING ASSEMBLY (SR54) | 6 |
| 13 | SG481512 | SPRING - COMPRESSION (SR54) | 6 |
| 14 | SG487255 | WIRE - DRAW BAR (SR54) | 18 |
| 12 | SG148154 | SPRING & WIRE ASSEMBLY (SR54-S) | 12 |
| 13 | SG487257 | SPRING - COMPRESSION (SR54-S) | 12 |
| 14 | SG487256 | WIRE - DRAW BAR (SR54-S) | 36 |
| 13 | SG481512 | SPRING - COMPRESSION (SR70) | 8 |
| 14 | SG487255 | WIRE - DRAW BAR (SR70) | 24 |
| 12 | SG148154 | SPRING & WIRE ASSEMBLY (SR70-S) | 16 |
| 13 | SG487257 | SPRING - COMPRESSION (SR70-S) | 16 |
| 14 | SG487256 | WIRE - DRAW BAR (SR70-S) | 48 |
| 12 | SG148160 | WIRE & SPRING ASSEMBLY (SR72) | 12 |
| 13 | SG481512 | SPRING - COMPRESSION (SR72) | 12 |
| 14 | SG482016 | LEADING WIRE - DRAW BAR (SR72) | 24 |
| 14 | SG482017 | TRAILING WIRE - DRAW BAR (SR72) | 12 |
| 12 | SG487278 | SPRING & WIRE ASSEMBLY (SR75 HD) | 12 |
| 13 | SG487275 | SPRING - COMPRESSION (SR75 HD) | 12 |
| 14 | SG487277 | LEADING WIRE - DRAW BAR (SR75 HD) | 24 |
| 14 | SG487276 | TRAILING WIRE - DRAW BAR (SR75 HD) | 12 |
| | 324-8 | SCREW - HH | 4 |
| | 3296-51 | NUT - LOCK, NI | 2 |

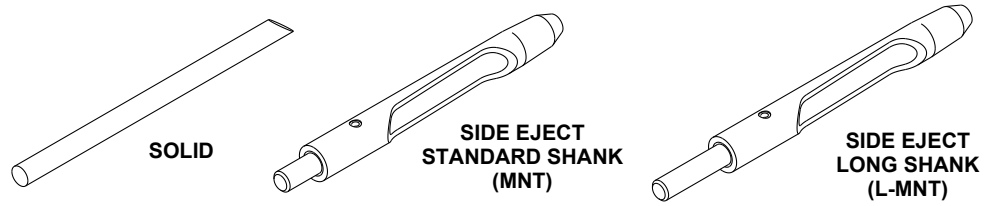
AERATORS

PROCORE[®] SR SERIES TINES



ProCore SR Series Tines

| Part No. | Description | SR48 | SR54 | SR54-S | SR70 | SR70-S | SR72 | SR75-HD |
|------------------------------|--|------|------|--------|------|--------|------|---------|
| SOLID | | | | | | | | |
| SGS07313 | TINE - 5/16" X 8.50" (5/16" MNT) | X | X | X | X | X | X | |
| SGS08313 | TINE - 5/16" X 10" (5/16" MNT) | X | X | X | X | X | X | |
| SGS08375 | TINE - 3/8" X 9.00" (3/8" MNT) | X | X | | X | | X | |
| SGS10374 | TINE - 3/8" X 10.75" (3/8" MNT) | X | X | | X | | X | |
| SGS10375 | TINE - 3/8" X 12.25" (3/8" MNT) | X | | | X | | X | |
| SGS08500 | TINE - 12mm X 8.00" (12mm MNT) | X | X | X | X | X | X | |
| SGS10504 | TINE - 12mm X 10.75" (12mm MNT) | X | X | X | | X | X | |
| SGS10500 | TINE - 12mm X 12.25" (12mm MNT) | X | | | | | X | |
| SGS12500 | TINE - 12mm X 14.25" (12mm MNT) | X | | | | | X | |
| SGS14500 | TINE - 12mm X 16.25" (12mm MNT) | X | | | | | X | |
| SGS10750 | TINE - 18mm X 12.25" (18mm MNT) | X | | | | | X | X |
| SGS12750 | TINE - 18mm X 14.25" (18mm MNT) | X | | | | | X | X |
| SGS14750 | TINE - 18mm X 16.25" (18mm MNT) | X | | | | | X | X |
| SGS10875 | TINE - 7/8" X 12.50" (18mm MNT) | X | | | | | X | X |
| SGS12875 | TINE - 7/8" X 14.00" (18mm MNT) | X | | | | | X | X |
| SGS14875 | TINE - 7/8" X 16.00" (18mm MNT) | X | | | | | X | X |
| SGS10876 | TINE - 7/8" X 12.50" (7/8" MNT) | | | | | | | X |
| SGS12876 | TINE - 7/8" X 14.00" (7/8" MNT) | | | | | | | X |
| SGS14876 | TINE - 7/8" X 15.75" (7/8" MNT) | | | | | | | X |
| SGS16100 | TINE - 1" X 17.88" (7/8" MNT) | | | | | | | X |
| SIDE EJECT STD. SHANK | | | | | | | | |
| SGC05550 | TINE ASSEMBLY - .500" X 5.5" (3/8" MNT) | | X | | X | | | |
| SGT05550 | TUBE ASSEMBLY - .500" X 5.5" | | X | | X | | | |
| SGC07624 | TINE ASSEMBLY - .687" X 7.0" (12mm MNT) | | X | X | X | X | | |
| SGT07625 | TUBE ASSEMBLY - .687" X 7.0" | | X | X | X | X | | |
| SGC07754 | TINE ASSEMBLY - .813" X 7.0" (12mm MNT) | | X | X | X | X | | |
| SGT07750 | TUBE ASSEMBLY - .813" X 7.0" | | X | X | X | X | | |
| SGC10754 | TINE ASSEMBLY - .750" X 10.0" (12mm MNT) | | X | X | X | X | | |
| SGT10750 | TUBE ASSEMBLY - .750" X 10.0" | | X | X | X | X | | |
| SGC08123 | TINE ASSEMBLY - 1.31" X 8.0" (7/8" MNT) | | | | | | | X |
| SGT08125 | TUBE ASSEMBLY - 1.31" X 8.0" | | | | | | | X |
| SGC12123 | TINE ASSEMBLY - 1.31" X 12.0" (7/8" MNT) | | | | | | | X |
| SGT12125 | TUBE ASSEMBLY - 1.31" X 12.0" | | | | | | | X |
| SIDE EJECT LONG SHANK | | | | | | | | |
| SGC07625 | TINE ASSEMBLY - .687" X 7.0" (12mm L-MNT) | X | | | | | X | |
| SGT07625 | TUBE ASSEMBLY - .687" X 7.0" | X | | | | | X | |
| SGC07750 | TINE ASSEMBLY - .813" X 7.0" (12mm L-MNT) | X | | | | | X | |
| SGT07750 | TUBE ASSEMBLY - .813" X 7.0" | X | | | | | X | |
| SGC10755 | TINE ASSEMBLY - .750" X 10.0" (12mm L-MNT) | X | | | | | X | |
| SGT10750 | TUBE ASSEMBLY - .750" X 10.0" | X | | | | | X | |
| SGC10813H | TINE ASSEMBLY - .810" X 10.0" (12mm L-MNT) | X | | | | | X | |
| SGT10813H | TUBE ASSEMBLY - .810" X 10.0" | X | | | | | X | |
| SGC10750 | TINE ASSEMBLY - .750" X 10.0" (18mm L-MNT) | X | | | | | X | X |
| SGT10750 | TUBE ASSEMBLY - .750" X 10.0" | X | | | | | X | X |



ProCore SR Series Tines

| Part No. | Description | SR48 | SR54 | SR54-S | SR70 | SR70-S | SR72 | SR75-HD |
|------------------------------|--|------|------|--------|------|--------|------|---------|
| <i>SIDE EJECT LONG SHANK</i> | | | | | | | | |
| SGC08100H | TINE ASSEMBLY - 1.06" X 8.0" (18mm L-MNT) | x | | | | | x | x |
| SGT08100H | TUBE ASSEMBLY - 1.06" X 8.0" | x | | | | | x | x |
| SGC10100H | TINE ASSEMBLY - 1.06" X 10.0" (18mm L-MNT) | x | | | | | x | x |
| SGT10100H | TUBE ASSEMBLY - 1.06" X 10.0" | x | | | | | x | x |
| SGC10100S | TINE ASSEMBLY - 1.00" X 10.0" (18mm L-MNT) | x | | | | | x | x |
| SGC08125 | TINE ASSEMBLY - 1.31" X 8.0" (18mm L-MNT) | x | | | | | x | x |
| SGT08125 | TUBE ASSEMBLY - 1.31" X 8.0" | x | | | | | x | x |
| SGC12125 | TINE ASSEMBLY - 1.31" X 12.0" (18mm L-MNT) | x | | | | | x | x |
| SGT12125 | TUBE ASSEMBLY - 1.31" X 12.0" | x | | | | | x | x |



UTILITY VEHICLES & SPRAYERS



240 Workman® Series

246 Multi Pro®

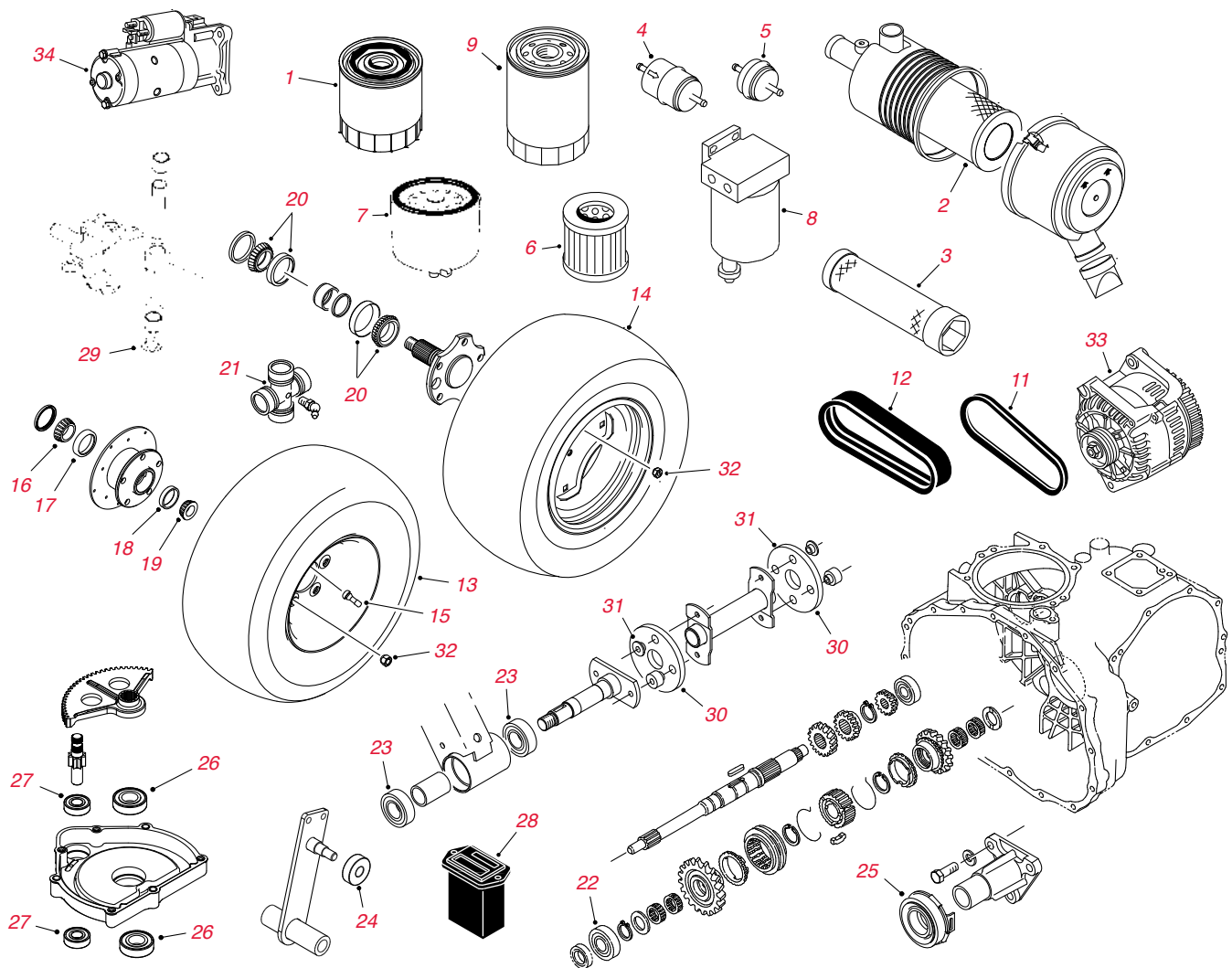
250 Multi Pro 1200 / 1250 Turf Sprayer

251 Multi Pro 5800 Turf Sprayer

251 Trailer Sprayers

UTILITY VEHICLES & TURF EQUIPMENT

WORKMAN® SERIES



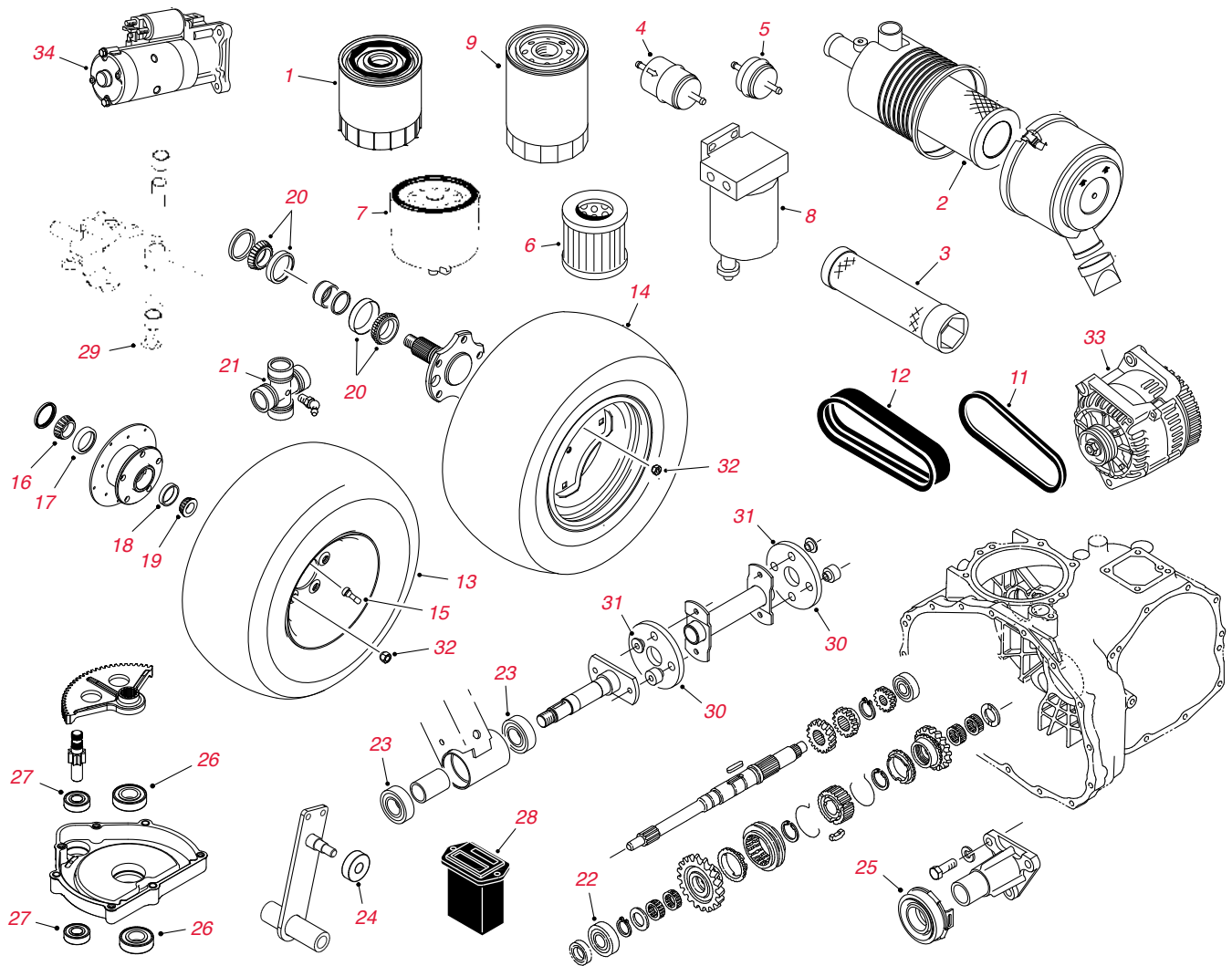
Workman Series

| Ref. No. | Part No. | Description | Qty. |
|----------|----------|---|------|
| 1 | 492932S | ORDER 107-7817 | 1 |
| 1 | 107-7817 | FILTER - ENGINE OIL (2100/2110 2000-07 & MDX) | 1 |
| 1 | 42-9030 | FILTER - ENGINE OIL (3200 - 1993-94 ONLY) | 1 |
| 1 | 115-8189 | FILTER - ENGINE OIL (HDX/HDX-D 2013 & UP, MDX/MDX-D 2012 & UP) | 1 |
| 1 | 67-4330 | ORDER 108-3841 | 1 |
| 1 | 108-3841 | FILTER - ENGINE OIL (1300D & 3000/4000 SERIES - 1993-2001) | 1 |
| 1 | 99-9016 | ORDER 108-3842 | 1 |
| 1 | 99-9017 | ORDER 108-3842 | 1 |
| 1 | 83-1760 | ORDER 108-3842 | 1 |
| 1 | 108-3842 | FILTER - ENGINE OIL (3000/4000 2012 & OLDER & HDX/HDX-D) | 1 |
| 1 | 115-8189 | FILTER - ENGINE OIL (HDX/HDX-D 2013 & UP MDX/MDX-D 2012 & UP) | 1 |
| 1 | 108-3847 | FILTER - ENGINE OIL HDX AUTO | 1 |
| 2 | 93-2195 | ORDER 108-3811 | 1 |
| 2 | 108-3810 | ELEMENT - AIR FILTER (GTX/MD, MDX, MDX-D, HDX 2012 & OLDER, HDX AUTO) | 1 |
| 2 | 108-3811 | ELEMENT - AIR FILTER (MD, MDX, MDX-D, HDX 2012 & OLDER, HDX AUTO) | 1 |
| 2 | 33-1300 | ORDER 108-3808 | 1 |
| 2 | 108-3808 | ELEMENT - AIR FILTER (1993-98) | 1 |

Workman Series

| Ref. No. | Part No. | Description | Qty. |
|----------|-------------------|--|------|
| 3 | 98-2982 | SAFETY ELEMENT - AIR FILTER | 1 |
| 4 | 18-1520 | ORDER 108-3831 | 1 |
| 4 | 99-9403 | ORDER 108-3831 | 1 |
| 4 | 108-3831 | IN-LINE FUEL FILTER | 1 |
| 4 | 94-2690 | FILTER - GAS FUEL (1000/2000/MD/MDX) | 1 |
| 4 | 99-9404 | ORDER 108-3854 | 1 |
| 4 | 105-8045 | ORDER 108-3854 | 1 |
| 4 | 108-3832 | ORDER 108-3854 | 1 |
| 4 | 108-3854 | Gas Fuel Filter (3000/4000 2000 UP & HD 2012 & OLDER) | 1 |
| * | 115-7818 | FILTER - FUEL (HDX, HDX AUTO 2013 & UP) | 1 |
| 5 | 115-7854 | IN-LINE FUEL FILTER (GTX/MD/MDX/HD/HDX/HDX AUTO) | 1 |
| 6 | 43-2550 | FILTER - ELECTRIC FUEL PUMP (DIESEL) | 1 |
| 7 | 63-8300 | FILTER - WATER SEPARATOR (DIESEL) | 1 |
| * | 110-9029 | Bio-Diesel Fuel Hose Kit (3300D/4300D) | 1 |
| | 115-5305 | CAP-FUEL (3300/4300) | 1 |
| 8 | 110-9049 | ELEMENT - FUEL/WATER SEPARATOR (HDX-D/MDX-D) | 1 |
| 9 | 54-0110 | FILTER - HYDRAULIC OIL (3000/4000/HD/HDX/HDX-D/HDX AUTO) | 1 |
| * | 30005** | 400 Hour Filter MVP Kit (1100/1110/MD) | A/R |
| * | 30004** | 400 Hour Filter MVP Kit (2100/2110/MDX) | A/R |
| * | 30017** | 400 Hour Filter MVP Kit (3200/4200 - 2002 & Up) | A/R |
| * | 30017** | 400 Hour Filter MVP Kit (3300D/4300D - 2002 & Up) | A/R |
| * | 30073** | 400 Hour Filter MVP Kit (HDX 2012 & Older) | A/R |
| * | 30068** | 400 Hour Filter MVP Kit (HDX-D 2012 & Older) | A/R |
| * | 30248** | 400 Hour Filter MVP Kit (HDX 2013 & Up) | A/R |
| * | 30249** | 400 Hour Filter MVP Kit (HDX-D 2013 & Up) | A/R |
| | 131-8276** | 400 Hour Filter MVP Kit (HDX-Auto 2014 & Up) | A/R |
| | 136-6280** | 400 Hour Filter MVP Kit (GTX) | |
| 11 | 93-7140 | V-BELT - HYDRAULIC PUMP (1300D) | 1 |
| 11 | 98-2947 | V-BELT - ALTERNATOR/WATER PUMP (1300D) | 1 |
| 11 | 99-7133 | V-BELT - STARTER (2100/2110) | 1 |
| 11 | 99-7144 | V-BELT - CVT TRANSMISSION (2100/2110) | 1 |
| 11 | 87-3200 | V-BELT - GOVERNOR (3200/4200 1993-2001) | 1 |
| 11 | 87-3210 | V-BELT - HYDRAULIC PUMP (3200/4200 1993-2001) | 1 |
| 11 | 93-7140 | V-BELT - HYDRAULIC PUMP (3200/4200 2002 & UP) | 1 |
| 11 | 92-2041 | V-BELT - ALTERNATOR/WATER PUMP (3200/4200 1993-2001) | 1 |
| 11 | 99-9156 | V-BELT - ALTERNATOR/WATER PUMP (3200/4200 2002 & UP) | 1 |
| 11 | 87-3200 | V-BELT - GOVERNOR (3210/3220/3420) | 1 |
| 11 | 92-2041 | V-BELT - ALTERNATOR/WATER PUMP (3210/3220/3420) | 1 |
| 11 | 87-3210 | V-BELT - HYDRAULIC PUMP (3300D/4300D 1993-1997) | 1 |
| 11 | 93-7140 | V-BELT - HYDRAULIC PUMP (3300D/4300D 1998 & UP) | 1 |
| 11 | 67-4410 | V-BELT - ALTERNATOR/WATER PUMP (3300D/4300D 1993-1997) | 1 |
| 11 | 98-2947 | V-BELT - ALTERNATOR/WATER PUMP (3300D/4300D 1998-2001) | 1 |
| 11 | 99-9156 | V-BELT - ALTERNATOR/WATER PUMP (3300D/4300D 2002 & UP) | 1 |
| 11 | 93-7140 | V-BELT - HYDRAULIC PUMP (3310D/3320D) | 1 |
| 11 | 110-3796 | V-BELT - ALTERNATOR/PULLEY ASM (HDX/HDX-D 2013 & UP) | 1 |
| 11 | 112-3131 | V-BELT - STARTER (MD) | 1 |
| 11 | 112-2911 | V-BELT - STARTER (MDX) | 1 |
| 11 | 112-2511 | V-BELT - STARTER (MDX-D) | 1 |
| 11 | 87-8370 | V-BELT - HYDRAULIC PUMP DRIVE (3100/3120/HD) | 1 |
| 11 | 117-4922 | V-BELT - ALTERNATOR/WATER PUMP (HDX/HDX-D 2012 & OLDER) | 1 |
| 11 | 121-9612 | BELT - CVT GEARBOX ASSEMBLY (HDX AUTO) | 1 |
| 12 | 99-7143 | MULTI-ROW V-BELT - TRANSMISSION DRIVE (1100/MD) | 1 |
| 12 | 112-2912 | MULTI-ROW V-BELT - TRANSMISSION DRIVE (MDX) | 1 |
| 13 | 99-7300 | TIRE - FRONT (20 X 10 - 8) 4-PLY (1100) | 2 |
| | 104-7289 | ORDER 127-7435 | |
| 13 | 127-7435 | TIRE - FRONT (22 X 9.5 - 10) 4-PLY (1100/2100/2110) | 4 |
| 13 | 104-7064 | TIRE - FRONT (22 X 9.5 - 10) 4-PLY TURF-TRAC R/S (2110) | 2 |
| | 104-7281 | ORDER 131-6667 | |
| 13 | 131-6667 | TIRE - FRONT (24 X 12 - 10) 4-PLY T-T R/S (2110) | 4 |
| 13 | 87-3300 | ORDER 94-5261 | 2 |

UTILITY VEHICLES & TURF EQUIPMENT WORKMAN® SERIES



Workman Series

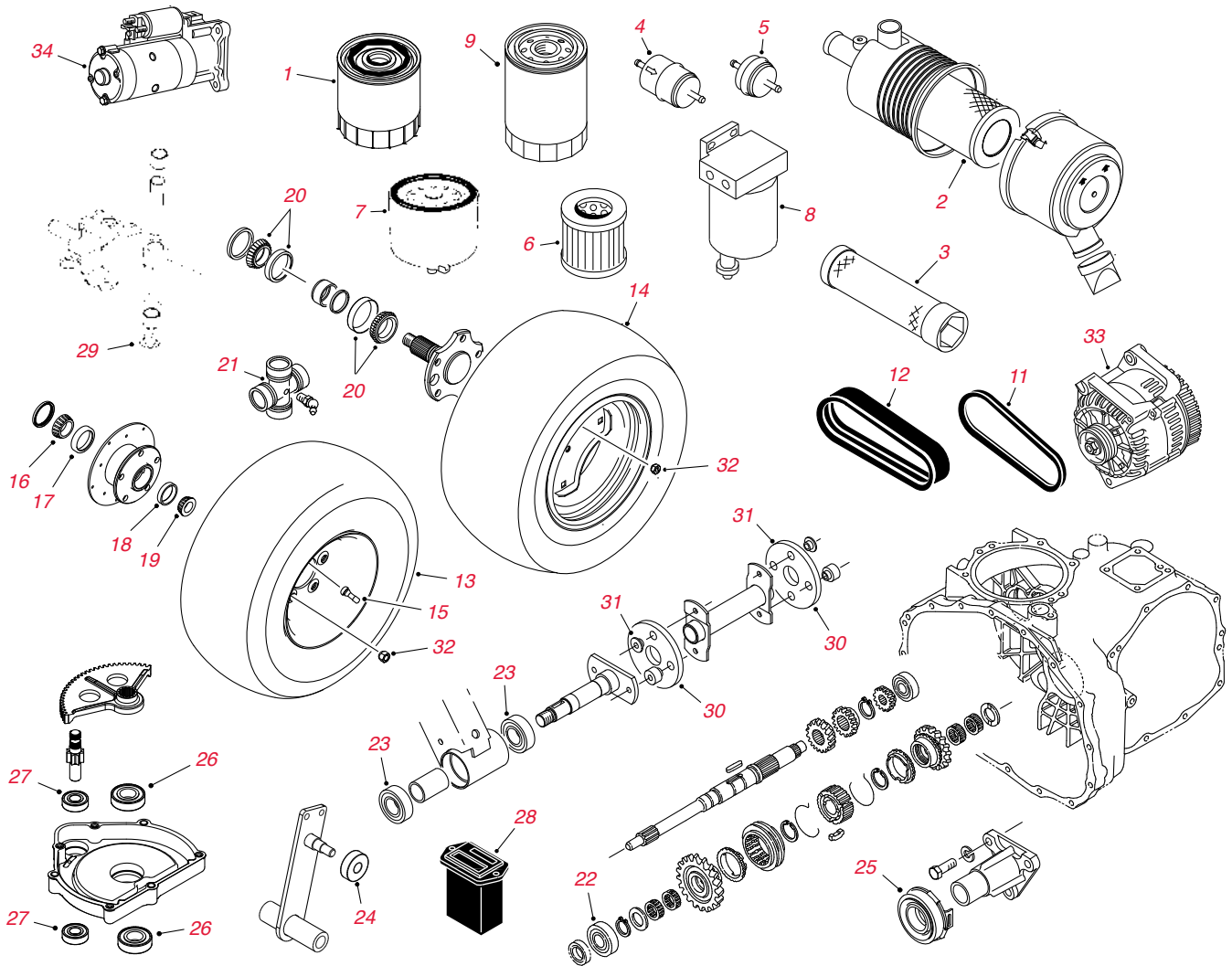
| Ref. No. | Part No. | Description | Qty. |
|----------|----------|--|------|
| 13 | 94-5261 | TIRE - FRONT (20 X 10 - 10) 4-PLY RIBBED (3000/4000) | 2 |
| 13 | 112-2984 | ORDER 112-3163 | 2 |
| 13 | 112-3163 | TIRE - FRONT (20 X 10 - 10) 6-PLY TURF-TRAC (3000/4000) | 2 |
| 13 | 94-5236 | TIRE - FRONT 4WD (20 X 10 - 10) 6-PLY MULTI-TRAC (3000/4000) | 2 |
| | 104-7289 | ORDER 127-7435 | |
| 13 | 127-7435 | TIRE - FRONT (22 X 9.5 - 10) 4-PLY (1100/2100/2110) | 2 |
| | 104-7289 | ORDER 127-7435 | |
| 13 | 127-7435 | TIRE - FRONT (22 X 9.5 - 10) 4-PLY (MD/MDE/MDX) | 2 |
| 13 | 114-8273 | ORDER 131-6670 | 2 |
| 13 | 131-6670 | TIRE - FRONT (20 X 9 - 12) 6-PLY TURF-TRAC (HD/HDX/HDX-D) | 2 |
| | 104-7289 | ORDER 127-7435 | |
| 14 | 127-7435 | TIRE - REAR (22 X 9.5 - 10) 4-PLY (1100/2100/2110) | 4 |
| 14 | 108-7007 | TIRE - REAR (22.5 X 10 - 8) 4-PLY TURF-TRAC R/S (1000/2000) | 2 |
| | 104-7281 | ORDER 131-6667 | |
| 14 | 131-6667 | TIRE - REAR (24 X 12 - 10) 4-PLY T-T R/S (2110) | 4 |
| 14 | 94-9388 | ORDER 87-3290 | 2 |
| 14 | 42330 | ORDER 87-3290 | 2 |

Workman Series

| Ref. No. | Part No. | Description | Qty. |
|----------|----------|---|------|
| 14 | 87-3290 | TIRE - REAR (23 X 10.5 - 12) 4-PLY TURF-TRAC (3000/4000) | 2 |
| 14 | 105-1781 | ORDER 106-7868 | 2 |
| | 106-7868 | ORDER 131-6673 | 2 |
| | 131-6673 | TIRE - REAR (24 X 12 - 12) 6-PLY (3000/4000/HD/HDX/HDX-D) | 2 |
| 14 | 42685 | ORDER 110-5132 | 2 |
| 14 | 87-6740 | ORDER 110-5132 | 2 |
| 14 | 110-5132 | TIRE - REAR (24 X 13 - 12) 6-PLY (3000/4000) | 2 |
| 14 | 99-1091 | TIRE - REAR (23 x 10.5 - 12) 4-PLY SAWTOOTH (HDX) | 2 |
| | 106-7868 | ORDER 131-6673 | 2 |
| | 131-6673 | TIRE - REAR (24 X 12 - 12) 6-PLY (3000/4000/HD/HDX/HDX-D) | 2 |
| 14 | 104-7281 | ORDER 131-6667 | 2 |
| 14 | 131-6667 | TIRE - REAR (24 X 12 - 10) 4-PLY TURF-TRAC R/S (2110/MDX) | |
| 14 | 104-7289 | ORDER 127-7435 | 2 |
| 14 | 127-7435 | TIRE - REAR (22 X 9.5 - 10) 4-PLY (1100/2100/2110) | |
| * | 131-8319 | TIRE ASM (GTX) | 2 |
| * | 87-3470 | BUMPER | 1 |
| 15 | 5108 | VALVE STEM | 4 |
| 16 | 254-106 | BEARING CONE - 2WD FRONT WHEEL INNER | 2 |
| 17 | 254-107 | BEARING CUP - 2WD FRONT WHEEL INNER | 2 |
| 18 | 254-72 | BEARING CUP - 2WD FRONT WHEEL OUTER | 2 |
| 19 | 254-94 | BEARING CONE - 2WD FRONT WHEEL OUTER | 2 |
| 20 | 87-1970 | BEARING - REAR AXLE (3000/4000) | 4 |
| 21 | 92-4187 | CROSS & BEARING KIT (3000/4000/HD/HDX/HDX-D) | 4 |
| 22 | 251-8 | BEARING - TRANSAXLE (300/400/HD/HDX/HDX-D) | 1 |
| 23 | 251-82 | BEARING - HYDRAULIC PUMP DRIVE (3000/4000) | 2 |
| 24 | 251-307 | ORDER 251-259 | 1 |
| 24 | 251-259 | BEARING (NEUTRAL ARM - 1100/1110/2100/2110/MD/MDX) | 1 |
| 25 | 110-2538 | BEARING - CLUTCH (3000/4000/HD/HDX/HDX-D - 2006 & UP) | 1 |
| 26 | 251-82 | BEARING - BALL (1000/2000/MD/MDX/MDE STEERING) | 2 |
| 27 | 38-7820 | BEARING - BALL (1000/2000/MD/MDX/MDE STEERING) | 2 |
| | 251-346 | BEARING - BALL (3100/3200/4200/4300/HD/HDX) | 2 |
| 28 | 75-6820 | HOUR METER (1993-03) | 1 |
| 29 | 256-115 | WASHER - THRUST STEERING | 2 |
| 30 | 44-2230 | ORDER 115-4523 | 2 |
| 30 | 115-4523 | COUPLING - HYDRAULIC PUMP DRIVE | 2 |
| 31 | 125-9249 | SPACER - COUPLING | 4 |
| 32 | 242-50 | LUG NUT - 1/2"-20 (1000/2000/MD/MDX/HD/HDX/HDX-D) | 10 |
| * | 125-9139 | SPARK PLUG (HDX (2013 & UP) | |
| 33 | 92-2025 | ALTERNATOR (3210/3220/3420) | 1 |
| 33 | 67-4630 | ALTERNATOR (3300D/4300D 1993-1998) | 1 |
| 33 | 100-9394 | ALTERNATOR (3300D/4300D 1998-2001) | 1 |
| 33 | 99-9209 | ALTERNATOR (3300D/4300D 2002 & UP) | 1 |
| 33 | 92-2025 | ALTERNATOR (3200/4200 1993-2001) | 1 |
| 33 | 99-9209 | ALTERNATOR (3200/4200 2002 & UP) | 1 |
| 34 | 99-7108 | ORDER 119-9545 | |
| 34 | 131-8444 | STARTER/GENERATOR (1100/1110/2100/2110/MD/MDX) | 1 |
| 34 | 115-9473 | ALTERNATOR (HDX/HDX-D 2009-2013) | |
| 34 | 121-6288 | STARTER (3210/3220/3420) | 1 |
| 34 | 112-1350 | STARTER (3310D/3320D) | 1 |
| 34 | 112-1350 | STARTER (3300D/4300D 1993-2001) | 1 |
| 34 | 110-2598 | STARTER (3300D/4300D 2002 UP & HDX/HDX-D) | 1 |
| 34 | 121-6288 | STARTER (3200/4200 1993-2001) | |
| 34 | 110-2598 | STARTER (3200/4200 2002 & UP) | 1 |
| * | 106-2416 | AIR CLEANER ASM (3200/3300/4200/4300D/HDX) | 1 |
| | 108-3811 | AIR FILTER (GTX) | 1 |
| | 130-8380 | SPARKPLUG (GTX) | 1 |
| | 56-6360 | FUEL FILTER (GTX) | 1 |

UTILITY VEHICLES & TURF EQUIPMENT

WORKMAN® SERIES

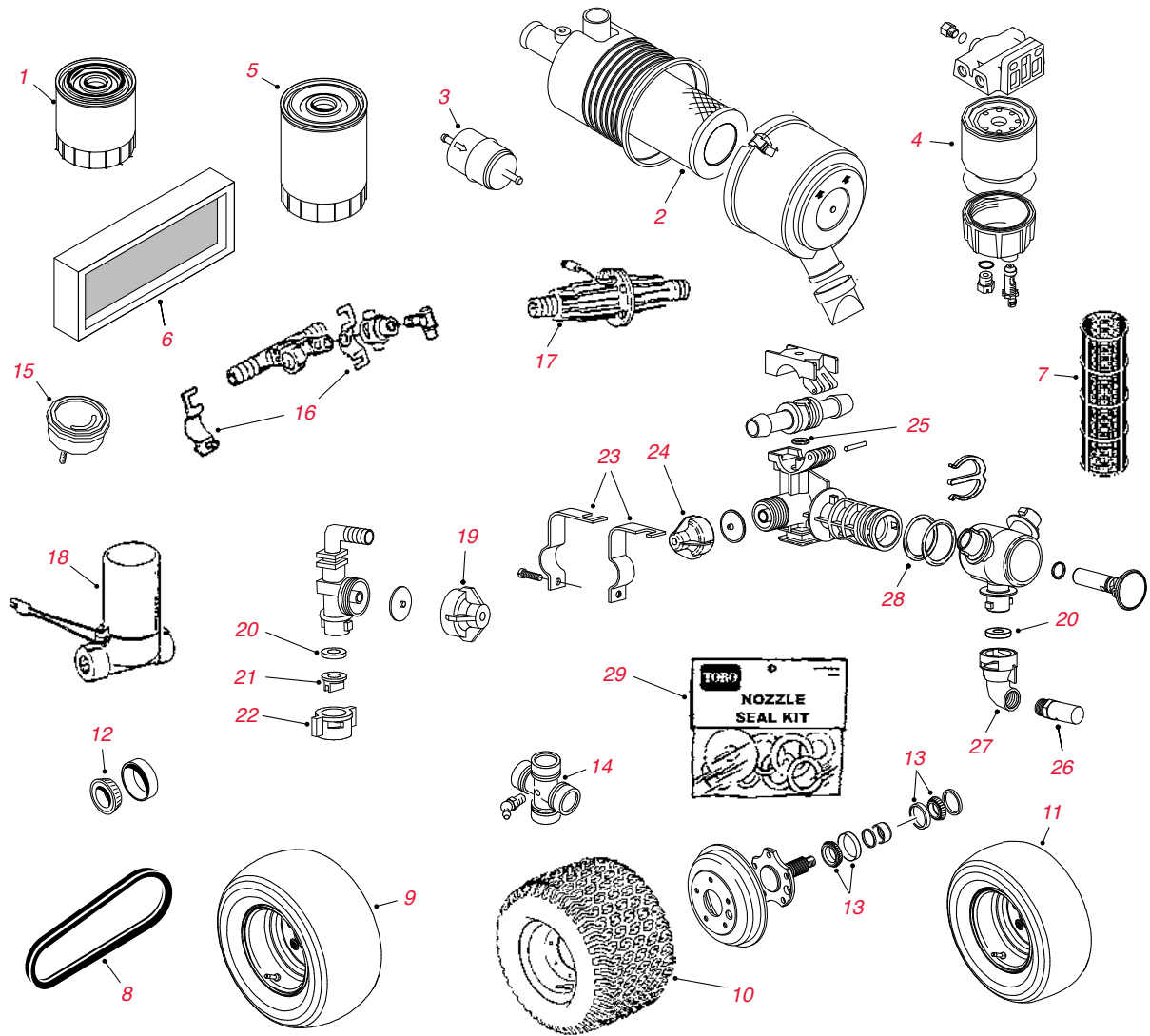


Workman Series

| Ref. No. | Part No. | Description | Qty. |
|----------|------------|--|------|
| * | 104-6478 | SPRING - EXTENSION (MD/MDX/MDX-D/GTX) | 4 |
| * | 104-9219 | CLUTCH DISC (HD/HDX/HDX-D) | 1 |
| * | 106-5269 | IGNITION SWITCH ASM | 1 |
| * | 106-6691 | CABLE - BRAKE, PARK (3100/3200/3300/4200/4300) | 2 |
| * | 106-6698 | CABLE - HI LOW (3100/3300/4200/4300) | 1 |
| * | 106-6726 | STEERING PUMP ASM (3100/3200/3300/4200/4300) | 1 |
| * | 106-7865 | MOUNT - ENGINE (HD/HDX/HDX-D) | 2 |
| * | 106-7962 | HOSE - HYD (3100/3200/3300/4200/4300) | 1 |
| * | 110-2536 | BALL JOINT - LH (3100/3200/3300/4200/4300) | 2 |
| * | 110-2537 | BALL JOINT - RH (3100/3200/3300/4200/4300) | 2 |
| * | 110-2548 | CABLE - CLUTCH (3100/3200/3300/4200/4300) | 1 |
| * | 110-2549 | CABLE - ACCELERATOR, LIQUID (3200/3300/4200/4300) | 1 |
| * | 114-8385 | FAN - ELECTRIC (HDX/HDX-D) | 1 |
| * | 115-2165 | BALL JOINT (4200/4300/HD/HDX/HDX-D/HDX AUTO) | 1 |
| * | 115-2283 | CABLE - BRAKE, PARK (HD/HDX/HDX-D) | 2 |
| * | 115-2284 | CABLE - CLUTCH (HD/HDX/HDX-D) | 1 |
| * | 115-2285 | CABLE - ACCELERATOR (HDX/HDX-D 2009-2013) | 1 |
| * | 115-2292 | TIMER - GLOW PLUG (4300/HDX-D 2009-2013) | 1 |
| * | 115-7753 | HOSE - COOLANT, UPPER (HDX/HDX-D 2009-2013) | 1 |
| * | 115-7811 | CABLE - SELECTOR, GEAR (HD/HDX/HDX-D) | 1 |
| * | 115-7812 | CABLE - HI LOW (HD/HDX/HDX-D) | 1 |
| * | 117-4861 | HOSE - HYD (HD/HDX/HDX-D/HDX AUTO) | 2 |
| * | 121-9774 | ABSORBER - SHOCK (3100/3200/3300/4200/4300/HD/HDX/HDX-D/HDX AUTO) | 2 |
| * | 2411-33 | BALLJOINT - RH (W/ GROMMET) (HD/HDX/HDX-D) | 1 |
| * | 32136-2 | NUT - SHH (3100/3200/3300/4200/4300) | 1 |
| * | 32144-1 | SCREW - TAPTITE (GTX) | 3 |
| * | 32144-4 | SCREW - HWH (HD/HDX AUTO/MD/MDE/MDX/MDX-D) | 2 |
| * | 32149-2 | NUT - KEPS (MD/MDE/MDX/MDX-D) | 2 |
| * | 3234-42 | SCREW - HHF | 1 |
| * | 325-13 | SCREW - HH (HD/HDX/HDX-D/HDX AUTO) | 2 |
| * | 3256-28 | WASHER - FLAT (HD) | 1 |
| * | 3296-45 | NUT - LOCK, NI (MD/MDX/MDX-D) | 2 |
| * | 353-781 | FITTING - ELBOW (MDX-D) | 1 |
| * | 68-3270 | BUMPER - RUBBER (MDX-D) | 1 |
| * | 87-1430 | JOINT - BALL | 4 |
| * | 87-1490 | SPRING - LEAF, REAR | 2 |
| * | 87-3770 | BUSHING - HOUSING, BELL (HD/HDX/HDX-D) | 2 |
| * | 87-3920 | BUSHING (HD/HDX/HDX-D/HDX AUTO) | 8 |
| * | 87-4260 | CABLE - SELECTOR, GEAR | 2 |
| * | 87-4760 | BUSHING - RUBBER (HD/HDX/HDX-D/HDX AUTO) | 12 |
| * | 93-7128 | DRUM - BRAKE (3100/3200/3300/4200/4300) | 2 |
| * | 94-4208 | HOURLMETER (MD/MDX/MDX-D) | 1 |
| * | 95-1653 | SWITCH - POLE, SINGLE (HD/HDX/HDX-D/HDX AUTO) | 1 |
| * | 98-1471 | WHEEL - STEERING (3100/3200/3300/4200/4300/MD/MDE/MDX/MDX-D/HD/HDX/HDX-D/HDX AUTO) | 1 |
| * | 136-6296 | V-BELT, ENGINE, CLUTCH/AIR CLEANER (MDX) | 1 |
| * | 131-6690 | SEAT COVER, SMALL | 1 |
| * | 137-1311 | MESH SEAT COVER, SMALL | 1 |
| * | 106-7974 | HOSE - HYD (HD/HDX/HDX-D/HDX AUTO) | 3 |
| * | 115-7771 | SHAFT, SPLINED (HD/HDX/HDX-D) | 2 |
| * | 106-2271 | SHAFT - PIVOT (3100/3200/3300/4200/4300) | 1 |
| * | 87-2720-03 | SHAFT - MASK (3200/3300/4200/4300) | 1 |
| * | 86-6560 | WASHER - THRUST (HD/HDX/HDX-D) | 1 |
| * | 119-0654 | ADJUSTER - SEAT, LOCKING (HD/HDX/HDX-D) | 2 |
| * | 106-5270 | IGNITION KEY SET (MD/MDE/MDX/MDX-D/HD/HDX/HDX-D/HDX AUTO/GTX) | 1 |
| * | 100-1854 | PLUG - GLOW (MDX-D/HDX-D) | 2 |
| * | 106-5269 | IGNITION SWITCH ASM (MDX/MDX-D/HD/HDX/HDX-D/GTX) | 1 |
| * | 114-3315 | SOLENOID (MD/MDX/GTX) | 1 |

UTILITY VEHICLES & TURF EQUIPMENT

MULTI PRO™



Multi Pro

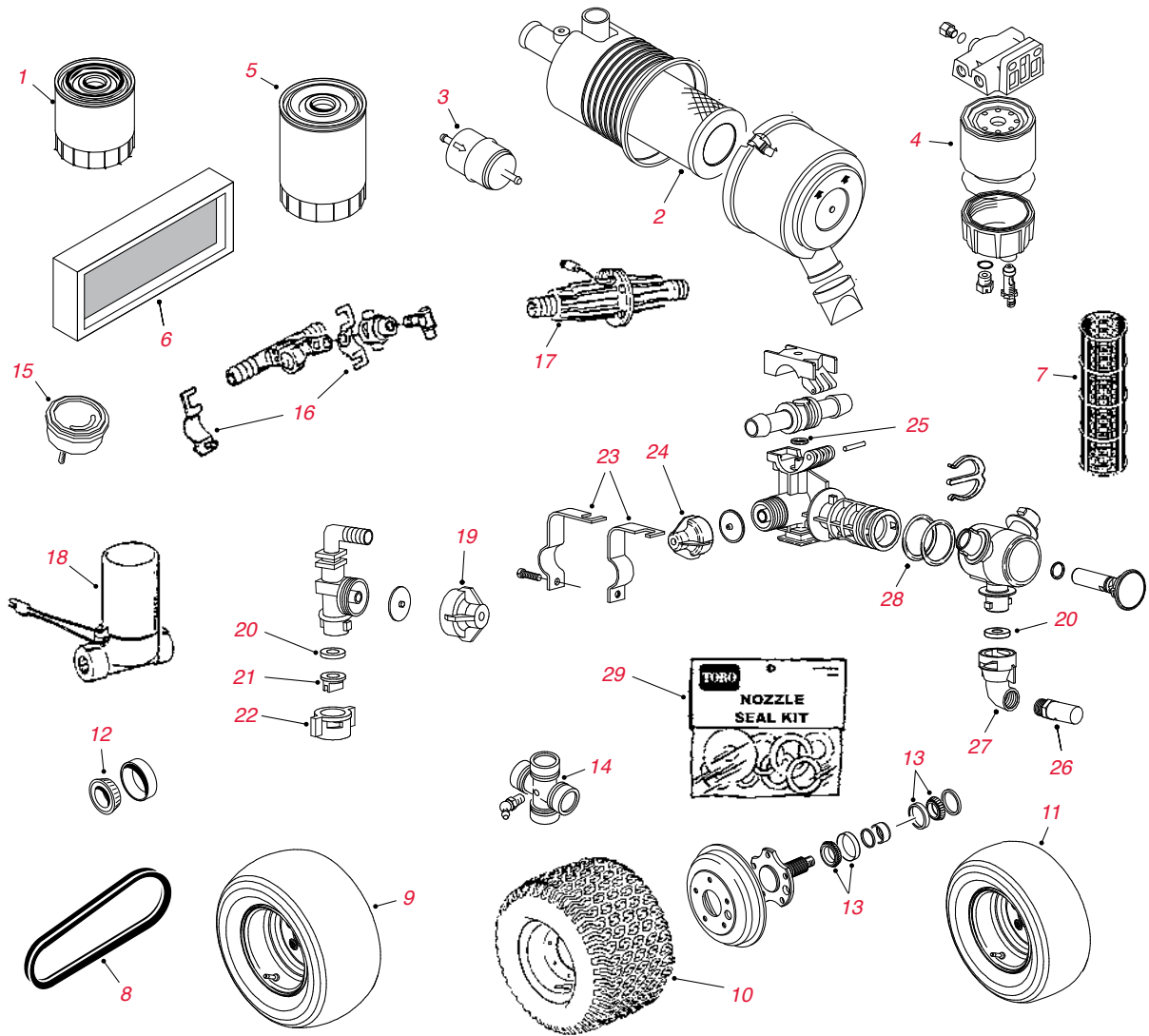
| Ref. No. | Part No. | Description | Qty. |
|----------|----------|--|------|
| 1 | 108-3841 | FILTER - ENGINE OIL (5700D/5800D) | 1 |
| 1 | 108-3847 | FILTER - ENGINE OIL (1100/1200/1250/1750) | 1 |
| 1 | 95-3304 | ORDER 108-3817 | 1 |
| 1 | 108-3817 | FILTER - ENGINE OIL (5500/5600) | 1 |
| 2 | 41905 | ORDER 106-4904 | 1 |
| 2 | 106-4904 | ELEMENT - AIR FILTER (5200/5900/5600) | 1 |
| 2 | 108-3810 | ELEMENT - AIR FILTER (5700D, 5800D) | 1 |
| 3 | 41770 | ORDER 108-3854 | 1 |
| 3 | 108-3832 | ORDER 108-3854 | 1 |
| 3 | 108-3854 | FILTER - FUEL (5200/5500/5600) | 1 |
| 3 | 98-7612 | FILTER - FUEL, PLASTIC (5700D) | 1 |
| 3 | 108-3828 | FILTER - FUEL, METAL (5700D) | 1 |
| 4 | 98-9764 | FILTER - WATER SEPARATOR (5700D 2004-2007) | 1 |
| 4 | 110-9049 | FILTER - WATER SEPARATOR (5700D 2008 & UP/5800D) | 1 |
| * | 112-9140 | BIO-DIESEL FUEL FILTER KIT (5700D) | 1 |
| * | 112-8400 | BIO-DIESEL FUEL PUMP KIT (5700D) | 1 |
| * | 112-7836 | IN-LINE FUEL FILTER (BIO-DIESEL KIT 5700D) | 1 |
| * | 110-9015 | ELEMENT - SEPARATOR (BIO-DIESEL KIT 5700D) | 1 |
| * | 104-9318 | ORDER 108-0638 | 1 |
| * | 108-0638 | BOTTLE OVERFLOW | 1 |

Multi Pro

| Ref. No. | Part No. | Description | Qty. |
|----------|----------|---|------|
| 5 | 54-0110 | FILTER- HYDRAULIC OIL (1200/1250/1750) | 1 |
| 5 | 86-3010 | FILTER- HYDRAULIC OIL (5500/5600/5700D) | 1 |
| 5 | 75-1310 | HYDRAULIC OIL FILTER (5800) | 1 |
| 6 | 92-3814 | ELEMENT - CAB CHARCOAL (1100/5500) | 1 |
| 7 | 100-6992 | FILTER - SUCTION, 80 MESH RED (1200/1250/5600/5700/5800) | 1 |
| 7 | 100-8642 | FILTER - SUCTION, 50 MESH BLUE (1200/1250/5600/5700/5800) | 1 |
| 7 | 100-6991 | FILTER - SUCTION, 30 MESH GREEN (1200/1250/5600/5800) | 1 |
| 8 | 41679 | BELT - TRACTION DRIVE (1100) | 1 |
| 8 | 117-5896 | BELT - ENGINE & GEARBOX ASM (1200/1250) | 1 |
| 8 | 98-9676 | V-BELT, ALTERNATOR DRIVE (5700 / 5800) | 1 |
| 9 | 330802 | ORDER 106-9691 | 2 |
| 9 | 106-9691 | TIRE - (18 x 9.5 - 8) 4-Ply (1100/1200) | 2 |
| 9 | 93-6486 | ORDER 110-5133 | 2 |
| 9 | 110-5133 | TIRE - FRONT (18 X 9.5 - 8) 4-PLY SMOOTH (1100/1200/1250) | 2 |
| 9 | 94-9388 | ORDER 87-3290 | 2 |
| 9 | 42330 | ORDER 87-3290 | 2 |
| 9 | 87-3290 | TIRE - FRONT (23 X 10.5 - 12) 4-PLY T-T (5200/5500/5600/5700D/5800) | 2 |
| 9 | 119-6021 | TIRE (23 x 10.5 - 12) 4-PLY; FRONT (5700/5800D) | 1 |
| 9 | 117-5196 | TIRE (26.5 x 14 - 12) 2-PLY; REAR (5700/5800D) | 1 |
| 10 | 42685 | ORDER 110-5132 | 2 |
| 10 | 87-6740 | ORDER 110-5132 | 2 |
| 10 | 110-5132 | TIRE - REAR (24 X 13 - 12) 6-PLY (1100/1200/1250) | 2 |
| 10 | 98-2373 | ORDER 117-5196 | 2 |
| 10 | 117-5196 | TIRE - REAR (26.5 X 14 - 12) 2-PLY U-T (5200/5500/5600/5700D/5800) | 2 |
| 11 | 94-8693 | WHEEL & TIRE ASSEMBLY (BOOM ENCLOSURE) | 2 |
| * | 94-8695 | ORDER 108-9955 | 2 |
| 10 | 108-9955 | TIRE (15 X 6-6) 2 PLY (BOOM ENCLOSURE) | 2 |
| * | 87-3470 | BUMPER | 1 |
| 12 | 94-7283 | ORDER 254-62 | |
| * | 254-62 | BEARING CONE (FRONT WHEEL 5500/5600/5700D/5800) | 2 |
| 13 | 87-1970 | BEARING - REAR AXLE (1200/1250) | 4 |
| 13 | 93-6587 | BEARING - (FRONT WHEEL 5500/5600/5700/5800D) | 2 |
| 12 | 115-9471 | BEARING - CUP (FRONT WHEEL 5800D) | 2 |
| * | 251-346 | BEARING - BALL (1200/1250/1750) | 2 |
| 14 | 92-4187 | CROSS & BEARING KIT (1200/1250) | 4 |
| 15 | 98-2160 | VOLTMETER (1200/1250/5600) | 1 |
| 16 | 40999 | CLAMP ASSEMBLY | 1 |
| 17 | 41482 | ORDER 117-5802 | 1 |
| 17 | 117-5802 | FLOW METER | 1 |
| 18 | 41480 | VALVE 1" MOTORIZED CT (1100/3000/5200) | 1 |
| 19 | 95-2450 | DIAPHRAGM CAP - 20 PSI (1100/1200) | 4 |
| 20 | 40998 | GASKET (1100/3000/5200/1200/1250/1750/5700D) | A/R |
| 21 | 117-5835 | NOZZLE - XR11005VS | 1 |
| 21 | 117-5836 | NOZZLE - XR11006VS | 1 |
| 21 | 117-5837 | NOZZLE - XR11008VS | 1 |
| 21 | 117-5838 | NOZZLE - XR11010VS (STD) | 1 |
| 21 | 117-5839 | NOZZLE - XR11015VS | 1 |
| 22 | 120-0714 | CAP - NOZZLE (1100/1200/1250/3000/5600/5700D) | 1 |
| 23 | 95-9185 | CLAMP (1100/1200/1250/3000/5600/5700D) | 2 |
| 24 | 95-9193 | DIAPHRAGM CAP - 10 PSI (1100/1200/1250/1750/5600/5700D/5800) | 4 |
| 25 | 95-9191 | O-RING (1100/1200/1250/1750/5800) | 2 |
| 26 | 95-9188 | NOZZLE - SS 1 GPM (STD) (1100/1200/1250) | 2 |
| 26 | 95-9221 | NOZZLE - SS .2 GPM (1200/1250/5600) | 2 |
| 26 | 95-9222 | NOZZLE - SS .4 GPM | 2 |
| 26 | 95-9223 | NOZZLE - SS .5 GPM | 2 |
| 26 | 95-9224 | NOZZLE - SS .6 GPM | 2 |
| 26 | 95-9225 | NOZZLE - SS .8 GPM | 2 |

UTILITY VEHICLES & TURF EQUIPMENT

MULTI PRO™



Multi Pro

| Ref. No. | Part No. | Description | Qty. |
|----------|-------------------|---|------------|
| 26 | 95-9226 | NOZZLE - SS 1.5 GPM | 2 |
| 27 | 95-9186 | CAP - 90 | 2 |
| 28 | 99-0815 | SEAL - VITON | 2 |
| 29 | 104-8777 | ORDER 108-3263 | 1 |
| 29 | 108-3263** | Seal Mvp Kit (Open Boom Sprayer) | A/R |
| * | 93-6212 | FILTER - COMPRESSION (FOAM MAKER KIT) | 1 |
| * | 94-7227 | FILTER - VALVE (FOAM MAKER KIT) | 1 |
| * | 105-4320 | SWITCH | 1 |
| * | 104-4620 | SEAT - STD | 1 |
| * | 100-3069 | RH BRAKE ASM (5700) | 1 |
| * | 100-3070 | LH BRAKE ASM (5700) | 1 |
| * | 115-2165 | BALL JOINT (1750) | 1 |
| * | 2411-33 | BALLJOINT - RH (W/ GROMMET - MP 1750) | 1 |
| * | 2411-36 | BEARING- END, ROD (5800) | 1 |
| * | 321-10 | SCREW - HH | 8 |
| * | 32136-2 | NUT - SHH | 4 |
| * | 325-12 | SCREW - HH | 4 |
| * | 3256-28 | WASHER - FLAT (1250) | 1 |
| * | 340-139 | FITTING - ELBOW 90 (5700) | 2 |
| * | 353-781 | FITTING - ELBOW (5700/5800) | 1 |
| * | 74-1810 | WASHER | 2 |
| * | 87-1430 | JOINT - BALL (1250) | 4 |
| * | 87-3770 | BUSHING - HOUSING, BELL (1750) | 2 |
| * | 87-3920 | BUSHING (5800) | 8 |
| * | 92-5821 | HEAD - FILTER (5700) | 1 |
| * | 93-2242 | FILTER - OIL (5800) | 1 |
| | 131-3751** | 1200/1250/1750 MVP Kit Filter/Screen Suction | 1 |
| * | 131-6690 | SEAT COVER, SMALL | 1 |
| * | 137-1311 | MESH SEAT COVER, SMALL | 1 |
| * | 115-7771 | SHAFT, SPLINED (1750) | 2 |
| * | 114-3315 | SOLENOID (1250) | 1 |
| * | 117-9875 | JOINT - BALL (1750) | 2 |

UTILITY VEHICLES & TURF EQUIPMENT

MULTI PRO[®]

MH-400

| Part No. | Description | Qty. |
|----------|--|------|
| 100-8372 | BELT-STEERING | 1 |
| 117-5896 | BELT-CVT | 1 |
| 100-6992 | ELEMENT-FILTER, RED | 1 |
| 115-7854 | FILTER-FUEL, INLINE | 1 |
| 100-6991 | ELEMENT-FILTER, GREEN | 1 |
| 100-8642 | SCREEN-SUCTION | 1 |
| 54-0110 | FILTER-OIL, TRANSMISSION | 1 |
| 108-3263 | TURRET SEAL REPAIR KIT, MULTI-PRO 1200, 1250, 5700-D AND WORKMAN 200 S | 1 |
| 54-9180 | U-JOINT KIT | 1 |
| 110-5132 | TIRE - (24 X 13 - 12) 6-PLY | 2 |
| 110-5133 | TIRE - (18 X 9.5 - 8) 4-PLY SMOOTH | 2 |
| 330802 | ORDER 106-9691 | - |
| 106-9691 | TIRE - (18 x 9.5 - 8) 4-Ply (1100) | 2 |

1200/1250 Turf Sprayer

| Part No. | Description | Qty. |
|----------|--|------|
| 100-8372 | BELT-STEERING | 1 |
| 117-5896 | BELT-CVT | 1 |
| 100-6992 | ELEMENT-FILTER, RED | 1 |
| 115-7854 | FILTER-FUEL, INLINE | 1 |
| 100-6991 | ELEMENT-FILTER, GREEN | 1 |
| 100-8642 | SCREEN-SUCTION | 1 |
| 54-0110 | FILTER-OIL, TRANSMISSION | 1 |
| 108-3263 | Turret Seal Repair Kit, Multi-Pro 1200, 1250, 5700-D and Workman 200 S | 1 |
| 54-9180 | U-JOINT KIT | 1 |
| 110-5132 | TIRE-Rear, (24 x 13 - 12) 6-Ply, Ultra Trac | 2 |
| 110-5133 | TIRE-Front, (18 x 9.5 - 8) 4-Ply, Smooth | 2 |
| 93-7128 | DRUM - BRAKE | 2 |
| 106-7865 | MOUNT - ENGINE | 4 |

1750 Turf Sprayer

| Part No. | Description | Qty. |
|----------|--------------------------------|------|
| 251-82 | BEARING-HYDRAULIC PUMP DRIVE | 1 |
| 251-8 | BALL BEARING | 1 |
| 92-4187 | CROSS & BEARING KIT | 1 |
| 254-72 | BEARING CUP-TAPERED | 1 |
| 110-2538 | BEARING-RELEASE, CLUTCH | 1 |
| 251-346 | BEARING (Qty 2) GEAR SHAFT ASM | 1 |
| 254-107 | BEARING-CUP | 1 |
| 54-0110 | FILTER-OIL, TRANSMISSION | 1 |
| 108-3847 | FILTER-ENGINE, OIL | 1 |
| 115-7854 | IN-LINE FUEL FILTER | 1 |
| 108-6945 | SPARK PLUG | 1 |
| 125-0765 | BELT-SYNCHRONOUS | 1 |
| 106-6716 | SEAL KIT-STEER VALVE | 1 |
| 110-5132 | TIRE-REAR CHEVRON | 2 |
| 120-7639 | TIRE-FRONT | 2 |
| 108-5675 | HYDRAULIC HOSE ASM (2014 & UP) | 2 |
| 100-1535 | SWITCH | 1 |
| 131-6690 | SEAT COVER, SMALL | 1 |
| 137-1311 | MESH SEAT COVER, SMALL | 1 |

5800 Turf Sprayer

| Part No. | Description | Qty. |
|----------|---|------|
| 98-9676 | V-BELT | 1 |
| 100-6992 | ELEMENT-FILTER, RED | 1 |
| 108-3810 | FILTER-AIR | 1 |
| 108-3841 | FILTER-OIL | 1 |
| 110-9049 | FILTER-SPIN ON | 1 |
| 100-6991 | ELEMENT-FILTER, GREEN | 1 |
| 100-8642 | SCREEN-SUCTION | 1 |
| 75-1310 | ELEMENT-FILTER | 1 |
| 125-2902 | FILTER-FUEL (2015 GASOLINE UNIT) | 1 |
| 110-9044 | SEPARATOR FILTER ASM | 1 |
| 75-1310 | FILTER-HYD | 1 |
| 120-0781 | ROD-CONNECTING | 1 |
| 117-5196 | TIRE - Rear (26.5 x 14 - 12) 2-Ply, Turf Trac | 2 |
| 120-2114 | TIRE - Front (22 x 12 - 12) 4-Ply, Smooth | 2 |
| 121-9774 | ABSORBER - SHOCK | 2 |
| 100-1535 | SWITCH | 1 |
| 131-6690 | SEAT COVER, SMALL | 1 |
| 137-1311 | MESH SEAT COVER, SMALL | 1 |
| 106-5269 | IGNITION SWITCH ASM | 1 |
| 112-9919 | STOP - CABLE, THROTTLE (5800) | 1 |
| 106-5270 | IGNITION KEY SET (5800) | 1 |
| 106-5269 | IGNITION SWITCH ASM (5800) | 1 |

Trailer Sprayers

| Part No. | Description | Qty. |
|----------|---|------|
| 95-3465 | TIRE (29 X 14 - 15) 6-PLY ULTRA-TRAC (300T) | 2 |
| 99-0853 | FILTER - NOZZLE, 50 MESH (50T/80T) | A/R |
| 100-6756 | FILTER - PRESSURE (300T) | 1 |
| 100-6991 | FILTER - SUCTION, 30 MESH GREEN (300T) | 1 |
| 100-8642 | FILTER - SUCTION, 50 MESH BLUE (300T) | 1 |
| 100-6992 | FILTER - SUCTION, 80 MESH RED (300T) | 1 |
| 100-1535 | SWITCH | 1 |
| 131-6690 | SEAT COVER, SMALL | 1 |
| 137-1311 | MESH SEAT COVER, SMALL | 1 |



SPECIALTY



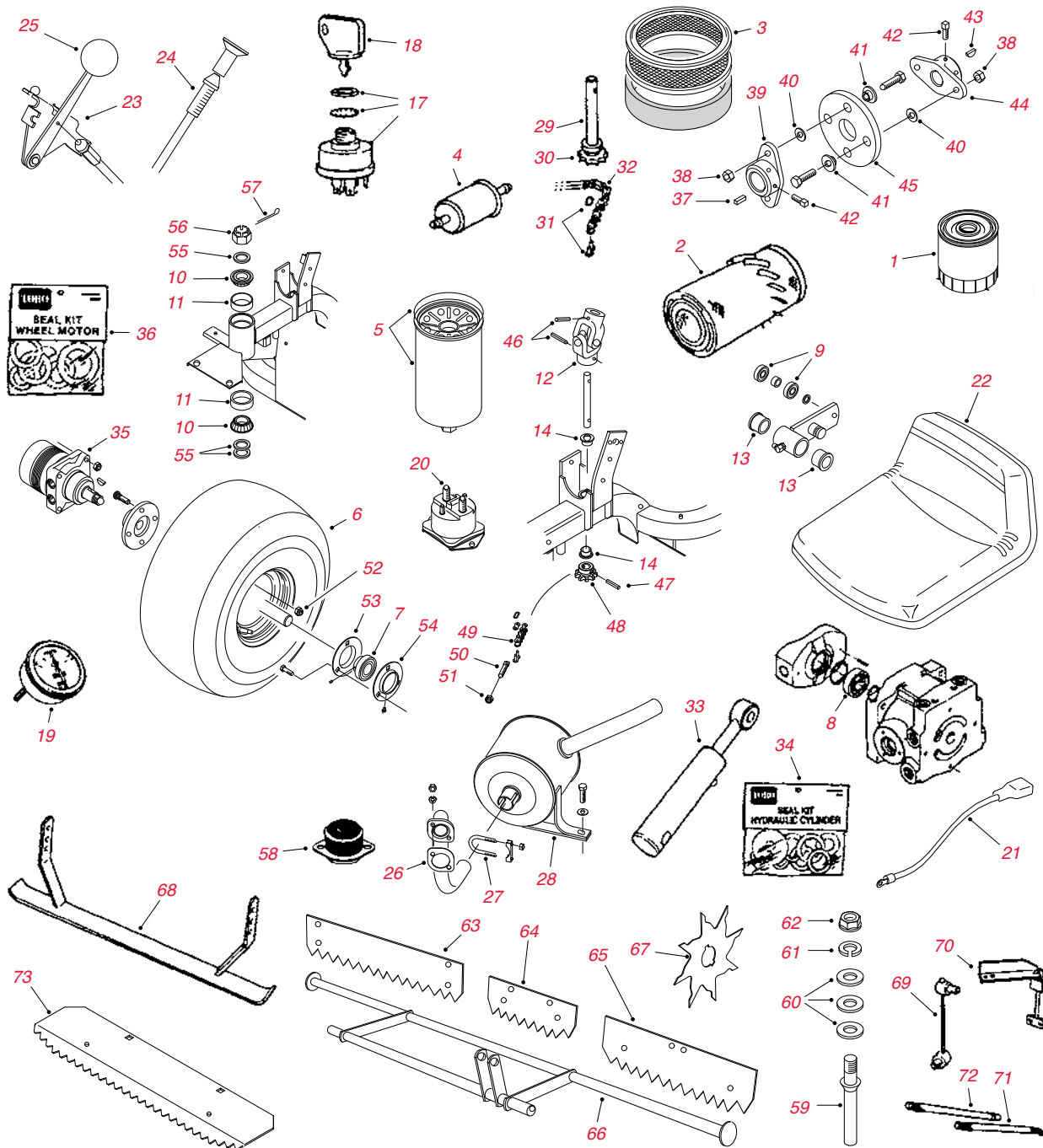
EQUIPMENT

254 SandPro™ / InfieldPro™

260 ProCore® Core Processor

SPECIALTY EQUIPMENT

SAND PRO® / INFIELD PRO®



Sand Pro® / Infield Pro®

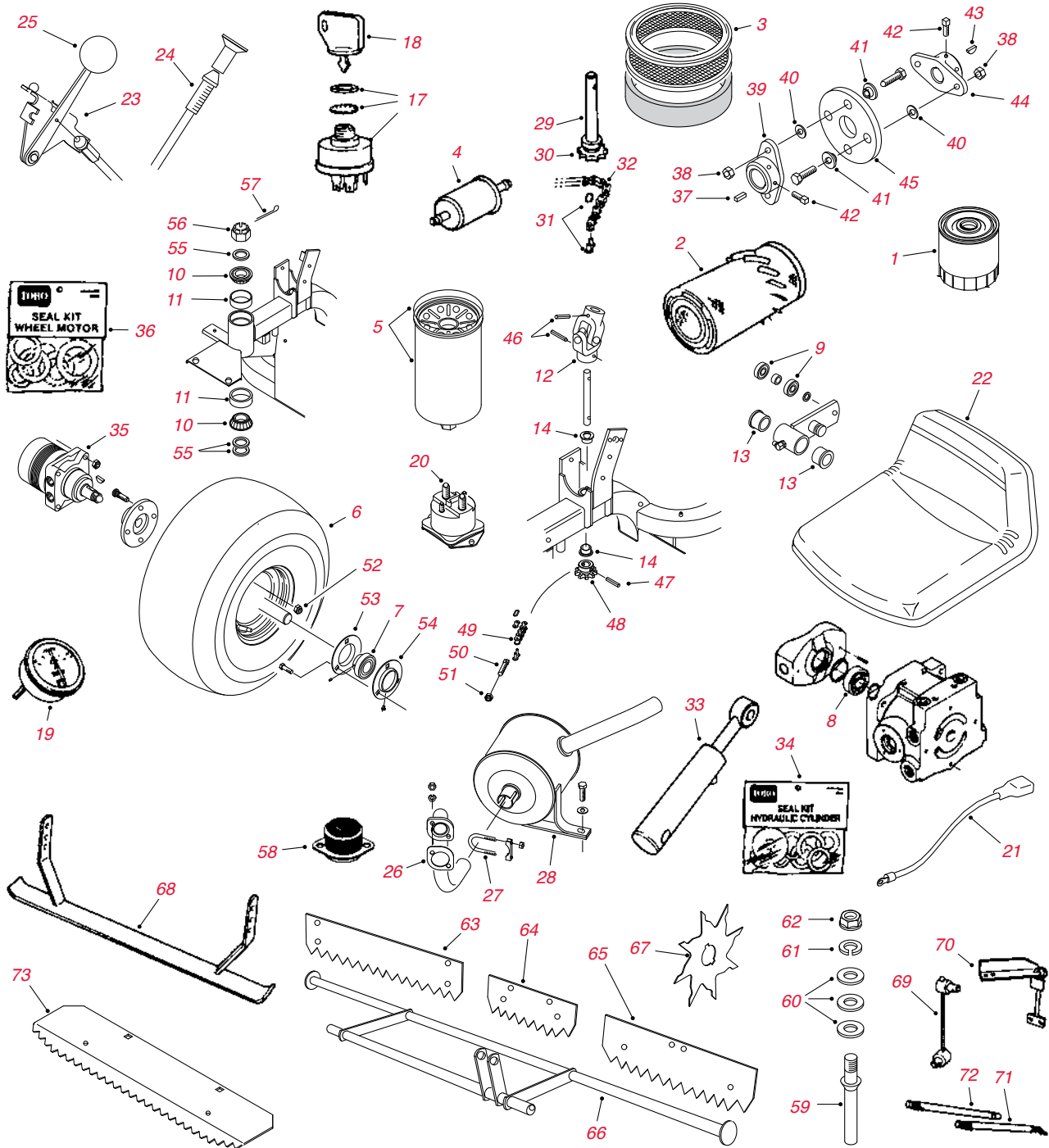
| Ref. No. | Part No. | Description | Qty. |
|----------|----------|---|------|
| 1 | 4929325 | ORDER 107-7817 | 1 |
| 1 | 107-7817 | FILTER - ENGINE OIL (2020/3020/3040/5000/5020/5040) | 1 |
| 2 | 33-1300 | ORDER 108-3808 | 1 |
| 2 | 108-3808 | AIR FILTER (12/14/2000) | 1 |
| 2 | 93-2195 | ORDER 108-3811 | 1 |
| 2 | 108-3811 | ELEMENT - AIR CLEANER | 1 |
| 3 | 92-0527 | AIR FILTER ELEMENT (2020/3020/5000/5020) | 1 |
| 4 | 18-1520 | ORDER 108-3831 | 1 |
| 4 | 99-9403 | ORDER 108-3831 | 1 |
| 4 | 108-3831 | FILTER - FUEL (2000/3000) | 1 |

Sand Pro® / Infield Pro® - continued

| Ref. No. | Part No. | Description | Qty. |
|----------|----------------|---|------------|
| 4 | 83-1320 | ORDER 94-2690 | 1 |
| 4 | 94-2690 | FILTER - FUEL (2020, 3020, 5000, 5020) | 1 |
| 5 | 23-9740 | HYDRAULIC FILTER | 1 |
| * | 30035** | 400 Hour Filter MVP Kit (Sand Pro/Infield Pro 3040/5040) | A/R |
| 6 | 231-79 | ORDER 85-8290 | 3 |
| 6 | 28-1070 | ORDER 85-8290 | 3 |
| 6 | 85-8290 | TIRE (22 X 11 - 8) 2-PLY KNOBBY | 3 |
| 6 | 116973 | ORDER 121-9072 | 3 |
| 6 | 121-9072 | TIRE (22 X 11 - 8) 2-PLY TURF-TRAC | 3 |
| 6 | 110-3364 | TIRE (22 X 11 - 8) 2-PLY SMOOTH | 3 |
| 7 | 251-352 | BEARING | 1 |
| 8 | 251-8 | BEARING - BALL | 1 |
| 9 | 251-307 | ORDER 251-259 | 2 |
| 9 | 251-259 | BEARING - BALL (NEUTRAL ARM) | 2 |
| 10 | 254-70 | ORDER 115-9472 | 2 |
| 10 | 115-9472 | CONE - BEARING | 2 |
| 11 | 254-69 | ORDER 115-9471 | 2 |
| 11 | 254-61 | ORDER 115-9471 | 2 |
| 11 | 115-9471 | CUP - BEARING | 2 |
| 12 | 85-9200 | KNUCKLE - STEERING | 1 |
| 13 | 256-113 | BUSHING | 2 |
| 14 | 256-287 | BUSHING - STEERING | 2 |
| 17 | 12-8140 | KEY SWITCH (SAND PRO 14) | 1 |
| 17 | 23-0660 | KEY SWITCH (2000/3000) | 1 |
| 17 | 83-0020 | KEY SWITCH (5000) | 1 |
| * | 29-6162 | SWITCH-MICRO | 1 |
| 18 | 218-412 | ORDER 62-7770 | 1 |
| 18 | 62-7770 | KEY - IGNITION | 1 |
| 19 | 83-0820 | AMMETER ('93/NEWER) | 1 |
| 20 | 6-1600 | SOLENOID ('90/OLDER) | 1 |
| 20 | 28-4210 | SOLENOID ('91/NEWER) | 1 |
| 21 | 83-1140 | ORDER 83-2420 | 1 |
| 21 | 83-2420 | CABLE - POSITIVE | 1 |
| 22 | 20-0930 | ORDER 27-5170 | 1 |
| 22 | 27-5170 | SEAT | 1 |
| 23 | 51-0680 | THROTTLE CONTROL | 1 |
| 24 | 19-2090 | CHOKE CONTROL | 1 |
| 25 | 233-25 | KNOB - CONTROL | 1 |
| 26 | 2210-118 | GASKET | 1 |
| 27 | 2412-37 | BRACKET | 1 |
| 28 | 51-0700 | MUFFLER ('92/NEWER) | 1 |
| 29 | 18-6340 | SHAFT - STEERING LOWER | 1 |
| 30 | 17-2490 | SPROCKET - STEERING | 1 |
| 31 | 2710-31 | CONNECTING LINK (1974-93) | 1 |
| 31 | 2710-11 | CONNECTING LINK (1994 & UP) | 1 |
| 32 | 18-6370 | CHAIN | 1 |
| 33 | 68-9700 | ORDER 114-0626 | 1 |
| 33 | 74-3300 | ORDER 114-0626 | 1 |
| 33 | 83-7000 | HYD CYLINDER (1992-07) | 1 |
| 33 | 114-0626 | HYD CYLINDER (2008 & UP) | 1 |
| 34 | 83-7250 | ORDER 86-5360 | 1 |
| 34 | 86-5360 | SEAL KIT (FOR CYLINDER 83-7000) | 1 |
| 35 | 75-9990 | WHEEL DRIVE MOTOR | 2 |

SPECIALTY EQUIPMENT

SAND PRO® / INFIELD PRO®



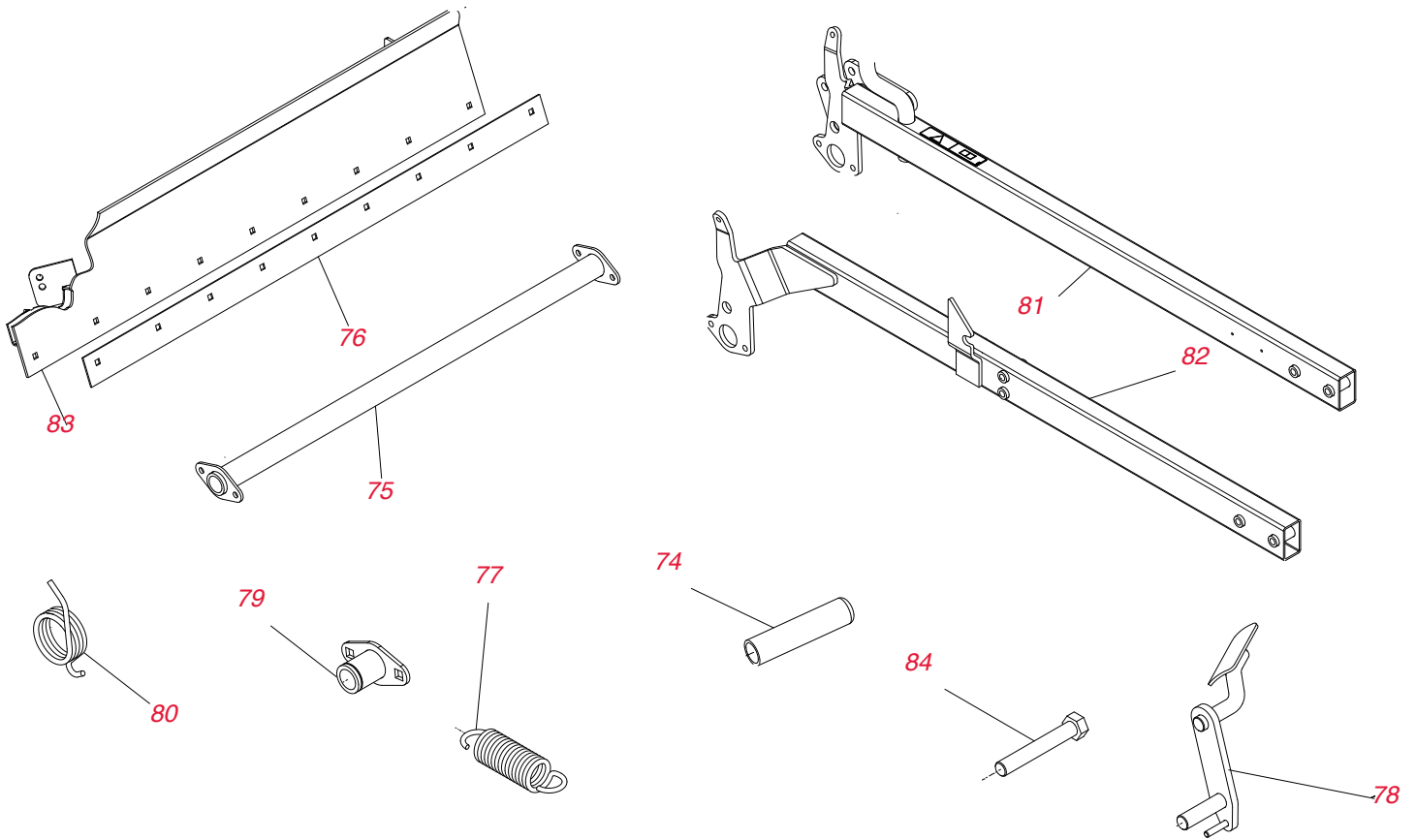
Sand Pro® / Infield Pro®

| Ref. No. | Part No. | Description | Qty. |
|----------|----------|--|------|
| 36 | 76-0800 | SEAL KIT (FOR MOTOR 75-9990) | 1 |
| 36 | 94-8178 | ORDER 100-6131 | 1 |
| 36 | 100-6131 | SEAL KIT (75-9830/75-9831/75-9840/97-3055/98-0958/98-0959) | 1 |
| 37 | 10-7070 | KEY - SQUARE | 1 |
| 38 | 3296-29 | NUT - LOCK | 4 |
| 39 | 27-1960 | ORDER 110-5236 | 1 |
| 39 | 110-5236 | HUB - ENGINE | 1 |
| 40 | 3256-23 | WASHER - FLAT | 4 |
| 41 | 125-9249 | SPACER - COUPLING | 4 |
| 42 | 3241-5 | SCREW - SQUARE HD SET | 4 |
| 43 | 3257-32 | KEY - WOODRUFF | 1 |

Sand Pro® / Infield Pro® - continued

| Ref. No. | Part No. | Description | Qty. |
|----------|----------------|---|------------|
| 44 | 49-9600 | ORDER 110-9695 | 1 |
| 44 | 110-9695 | HUB - PUMP | 1 |
| 45 | 27-6560 | ORDER 115-4523 | 1 |
| 45 | 44-2230 | ORDER 115-4523 | 1 |
| 45 | 115-4523 | COUPLING-HYD PUMP | 1 |
| 46 | 32121-15 | PIN - SPRING | 2 |
| 47 | 32121-16 | PIN - ROLL | 1 |
| 47 | 32121-112 | PIN - ROLL (5000) | 1 |
| 48 | 85-9180 | SPROCKET - STEERING | 1 |
| 49 | 85-8030 | CHAIN - STEERING | 1 |
| 50 | 18-6380 | PIN - STEERING ADJUST | 2 |
| 51 | 3296-4 | NUT - LOCK | 2 |
| 52 | 242-50 | NUT - LUG | 12 |
| 53 | 85-8950 | FLANGETTE | 1 |
| 54 | 85-8940 | FLANGETTE - RELUBE | 1 |
| 55 | 18-6320 | WASHER | 3 |
| 56 | 32136-9 | NUT - HEX SLOTTED | 1 |
| 57 | 3272-37 | PIN - COTTER | 1 |
| 58 | 83-1031 | MOUNT - ENGINE (5000/5020) | 4 |
| 59 | 88-8450 | PRONG - RAKE | 27 |
| 59 | 42-1940 | PRONG - RAKE | 24 |
| 60 | 3256-24 | WASHER - FLAT | A/R |
| 61 | 3253-21 | WASHER - LOCK | A/R |
| 62 | 3217-7 | NUT - HEX | A/R |
| 64 | 18-7580 | ORDER 77-5090-01 | 3 |
| 64 | 77-5090-01 | DRAG PLATE - SECONDARY | 3 |
| 65 | 18-7640 | ORDER 77-5080-01 | 2 |
| 65 | 77-5080-01 | DRAG SWIVEL | 2 |
| 67 | 20-7380-01 | BLADE - SPIKER | A/R |
| 69 | 20-4670 | DRAG CABLE ASSEMBLY | 14 |
| 70 | 18-7660-01 | SWIVEL BRACKET | 2 |
| 71 | 18-7530 | BALL JOINT - RAKE | 8 |
| 72 | 18-7550 | ORDER 18-7530 | 8 |
| 73 | 84-2280-03 | RAKE - FINISHING | 5 |
| * | 120-5772 | BELT-V | 1 |
| * | 108-3811 | ELEMENT-FILTER, AIR | 1 |
| * | 119-5852 | FILTER-OIL | 1 |
| * | 115-7854 | FILTER-FUEL, INLINE | 1 |
| * | 121-4570 | FILTER-FUEL | 1 |
| * | 114-3494 | ELEMENT-FILTER, 25 MICRON | 1 |
| * | 127-0381 | INNER FILTER KIT | 1 |
| * | 08725** | 400 Hour Maintenance Kit SP2040Z | A/R |
| * | 125-6406 | TIRE (16 X 7.5 - 8)4-PLY; TURF TRAC (2040Z) | 2 |
| * | 125-6465 | TIRE (25 X 12 - 9) 3-PLY; TURF TRAC (2040Z) | 2 |
| * | 70-9870 | PLATE-BACKING | 1 |
| * | 120-3407 | SERVICE ENGINE KIT (SP 3040 2006-2010) | 1 |
| * | 120-3404 | BLOCK-GUIDE (SP 3040 /5040 2011 & UP | 1 |
| * | 120-3403 | ENGINE INSTALLATION ASM (SP 5040 2011 & UP) | 1 |
| * | 85-0160-03 | WEEDER ASM | 1 |
| * | 132-4351 | REPLACEMENT HYDROSTATE ASM (SP 2020/3020) | 1 |
| * | 51-0780 | SLIDER-SEAT | 1 |
| * | 51-0790 | ADJUSTER-SEAT, LH | 1 |
| * | 95-8836 | HOSE ASM, MOTOR ASM | 1 |
| * | 104-8162 | BATTERY - DRY (SP 5040) | 1 |

SPECIALTY EQUIPMENT
SAND PRO® / INFIELD PRO®



Sand Pro® / Infield Pro® - continued

| Ref. No. | Part No. | Description | Qty. |
|----------|-------------|--------------------------------------|------|
| 74 | 104-9838 | GRIP - FOAM (SP 3040/5040) | 1 |
| * | 108-2835-01 | SCARIFIER MOUNT ASM (SP 3040/5040) | 1 |
| 75 | 108-5402-03 | TORSION TUBE ASM (SP 3040/5040) | 1 |
| 76 | 108-5406-03 | PLATE - WEAR (SP 3040/5040) | 1 |
| 77 | 108-5412 | SPRING - EXTENSION (SP 3040/5040) | 2 |
| 78 | 108-5418-03 | LOCK LEVER ASM (SP 3040/5040) | 1 |
| 79 | 108-5421 | PLATE ASM (SP 3040/5040) | 1 |
| 80 | 108-5424 | SPRING - TORSION (SP 3040/5040) | 1 |
| * | 110-1350-03 | DRAG FRAME ASM (SP 3040/5040) | 1 |
| * | 110-3362 | PIVOT BAR ASM (SP 3040/5040) | 1 |
| * | 110-8105 | LINK ASM (SP 3040/5040) | 1 |
| * | 112-1403 | ADAPTER ASM (SP 3040/5040) | 1 |
| * | 112-1432 | ADAPTER ASM (SP 3040/5040) | 1 |
| 81 | 112-7156-03 | RH LIFT ARM ASM (SP 3040/5040) | 1 |
| 82 | 112-7157-03 | LH LIFT ARM ASM (SP 3040/5040) | 1 |
| * | 114-0641-03 | PIVOT ASM (SP 3040/5040) | 1 |
| 83 | 115-5642-03 | BLADE ASM (SP 3040/5040) | 1 |
| * | 132-4389 | HANGER ASM, QUICK ATTACH SYSTEM | 1 |
| * | 1-523420 | BUMPER (SP 3040/5040) | 2 |
| * | 23-2790-01 | BLADE - SCRAPER (SP 3040/5040) | 1 |
| * | 256-172 | BUSHING (SP 3040/5040) | 1 |
| * | 27-9080 | BEARING - FLANGE (SP 3040/5040) | 2 |
| * | 32144-4 | SCREW - HWH (SP 2040Z) | 1 |
| * | 3220-5 | NUT - JAM (SP 3040/5040) | 2 |
| * | 325-12 | SCREW - HH (SP 2040Z) | 2 |
| 84 | 325-13 | SCREW - HH (SP 3040/5040) | 4 |
| * | 3296-45 | NUT - LOCK, NI (SP 3040/5040) | 2 |
| * | 3296-51 | NUT - LOCK, NI (SP 2040Z) | 1 |
| * | 93-4133 | SEAL - LIP (SP 3040/5040) | 1 |
| * | 106-9288 | SENSOR PROXIMITY FERROUS (SP 2020) | 1 |
| * | 114-4319 | PIVOT PIN | 1 |
| * | 20-4290 | MAT DRAG | 1 |
| * | 120-3476 | MUFFLER - DUAL INTENT (SP 3040/5040) | 1 |
| * | 120-3407 | ENGINE - BRIGGS & STRATTON (SP 3040) | 1 |
| * | 121-9070 | VALVE ASM (SP 2020/3040/5040) | 1 |
| * | 120-3457 | REAR HITCH ASM (SP 3040/5040) | 1 |
| * | 112-1405 | ADAPTER ASM (SP 3040/5040) | 1 |
| * | 108-4511-01 | TUBE ASM (SP 3040/5040) | 1 |
| * | 112-1400 | PIVOT ASM (SP 3040/5040) | 2 |
| * | 108-2928-01 | BOX ASM (SP 3040/5040) | 1 |
| * | 110-1395-03 | TOOL BAR ASM (SP 3040/5040) | 1 |
| * | 108-3198-03 | HANGER ASM (SP 3040/5040) | 1 |
| * | 107-1977 | SEAL KIT (SP 5040) | 1 |
| * | 323-52 | SCREW - HH (SP 3040/5040) | 2 |
| * | 32120-18 | E-RING (SP 2040Z/3040/5040) | 12 |
| * | 340-6 | FITTING - STRAIGHT (3040/5040) | 1 |
| * | 117-9507 | PEDAL - ACCELERATOR (3040/5040) | 1 |

SPECIALTY EQUIPMENT

TURF EQUIPMENT

Procore[®] Core Processor

| Part No. | Description | Qty. |
|----------|--|------|
| 108-3810 | ELEMENT - AIR FILTER | 1 |
| 110-2976 | ORDER 115-8957 | |
| 115-8957 | V- BELT - CHOPPER DRIVE MATCH SET OF 2 | 2 |
| 110-2772 | V-BELT - ENGINE DRIVE (SET OF 3) | 1 |
| 112-4254 | BELT - BRUSH DRIVE | 1 |
| 115-2951 | V-BELT - CORNER SHAFT | 1 |
| 114-7741 | TIRE (18 x 9.5 - 8) 6-PLY TURF-TRAC | 2 |
| 254-106 | BEARING CONE - INNER | 2 |
| 254-107 | BEARING CUP - INNER | 2 |
| 254-92 | BEARING CONE - OUTER | 2 |
| 254-72 | BEARING CUP - OUTER | 2 |
| 114-3920 | ORDER 110-2730 | 124 |
| 110-2730 | TIP - CHOPPER | 124 |
| 323-7 | SCREW - CAP HEX HD | 62 |
| 114-7728 | SCREW | 248 |
| 114-7606 | CHOPPER AXLE ASSEMBLY | 1 |
| 114-7614 | BLADE - BENT | 62 |
| 80-6990 | WASHER - HARDENED | 2 |
| 3-4244 | PULLEY - CORNER SHAFT IDLER | 1 |
| 114-7715 | AXLE - BRUSH | 1 |
| 110-2908 | BRUSH - SWEEPER | 2 |
| 80-6990 | WASHER-HARDENED | 4 |
| 98-4871 | BUSHING - SLEEVE | 2 |
| 63-8360 | KEY - IGNITION | 1 |
| 83-0020 | SWITCH - IGNITION | 1 |
| 114-7742 | ORDER 119-3010 | |
| 119-3010 | RIM - WHEEL | 2 |
| 242-50 | NUT - LUG | 10 |
| 105-2539 | CAP - AIR FILTER ASSEMBLY | 1 |

SPECIALTY EQUIPMENT

TURF EQUIPMENT

Line Painter 1200

| Part No. | Description | Qty. |
|----------|-------------------------------------|------|
| 108-3842 | FILTER - ENGINE OIL | 1 |
| 108-2604 | FILTER - AIR CLEANER ELEMENT (MAIN) | 1 |
| 108-2603 | FILTER - AIR CLEANER ELEMENT (FOAM) | 1 |

Rake-O-Vac

| Part No. | Description | Qty. |
|----------|-----------------------------|------|
| 115-9022 | FINGER - NYLON | A/R |
| 13-3090 | SPRING - RAKE TEETH | A/R |
| 11-9760 | ORDER 49-2040 | A/R |
| 49-2040 | SCREW | A/R |
| 2710-11 | CONNECTING LINK | 1 |
| 108-3808 | ELEMENT - REMOTE AIR FILTER | 1 |
| 108-3854 | IN-LINE FUEL FILTER | 1 |
| 119-6225 | TIRE (11L-15SL) | 2 |
| 108-3847 | OIL FILTER | 1 |
| 3296-51 | NUT - LOCK, NI | 1 |
| 13-4960 | SHAFT - PLATE, FINGER | 6 |
| 13-4960 | SCREW - HH, SEMS | 6 |
| 13-4960 | SHAFT PLATE FINGER | 6 |
| 32140-94 | SCREW HH SEMS | 6 |

Rake-O-Vac-Sweeper

| Part No. | Description | Qty. |
|----------|---|------|
| 13-2650 | V-BELT, ENGINE & CLUTCH AND MUFFLER ASSEMBLY | 1 |
| 93-0183 | V-BELT, IMPELLER: ENGINE, CLUTCH AND MUFFLER ASSEMBLY | 1 |
| 93-4034 | V-BELT, GUARD ASSEMBLY | 1 |
| 119-6225 | TIRE TIRE (11L-15SL) | 2 |
| 254-62 | ROLLER-BEARING, CONE (WHEEL HUB ASM) | 2 |
| 254-65 | ROLLER-BEARING, CONE (WHEEL HUB ASM) | 2 |
| 254-66 | ROLLER-BEARING, CUP (WHEEL HUB ASM) | 2 |
| 115-9471 | ROLLER-BEARING, CUP (WHEEL HUB ASM) | 2 |
| 56-6220 | BEARING - BLOWER FAN & THROAT FLAP ASM | 2 |
| 56-6230 | ROLLER-BEARING (RAKE ASM) & GUARD ASM | 2 |
| 107-1054 | BEARING- CLUTCH ASM | 1 |
| 107-1078 | BEARING- CLUTCH ASM | 1 |
| 115-9023 | CLAMP - FINGER | 4 |
| 115-9024 | PLATE - CENTER | 1 |

Turf Sweeper 4800

| Part No. | Description | Qty. |
|-------------|-----------------------------------|------|
| 01-279-0010 | FINGER - RUBBER | A/R |
| 01-269-0320 | ORDER 119-6343 | |
| 119-6343 | TIRE - FRONT (18 X 8.5 - 8) 4-PLY | 2 |
| 95-0177 | ORDER 99-2996 | 2 |
| 99-2996 | TIRE - REAR (18 X 9.5 - 8) 4-PLY | 2 |
| 01-317-0240 | HYDRAULIC OIL FILTER (1992-95) | 1 |
| 23-9740 | HYDRAULIC OIL FILTER (1997 & UP) | 1 |
| 70-9870 | PLATE-BACKING | 1 |
| 104-4620 | SEAT-STD | 1 |

ProSweep 5200

| Part No. | Description | Qty. |
|----------|--|------|
| 117-5196 | TIRE (26.5 x 14 - 12) 2-Ply; Turf Trac | 2 |
| 340-6 | FITTING - STRAIGHT | 2 |
| 107-1977 | SEAL KIT | 1 |

Pro Force Debris Blower

| Part No. | Description | Qty. |
|----------|-------------------------------------|------|
| 112-1853 | BELT-V | 1 |
| 115-7854 | FILTER-FUEL, INLINE | 1 |
| 120-2235 | FILTER-FUEL | 1 |
| 99-4506 | TIRE (20 x 10 - 8) 4-Ply; TURF MATE | 2 |
| 117-5115 | HUB & BEARING ASM | 2 |
| 106-5270 | IGNITION KEY SET | 1 |
| 106-5269 | IGNITION SWITCH ASM | 1 |

Top Dresser

| Part No. | Description | Qty. |
|-------------|---|------|
| 01-269-0320 | ORDER 119-6343 | |
| 119-6343 | TIRE - FRONT (18 X 8.5 - 8) 4-PLY | 2 |
| 106-9691 | TIRE (18 X 9.5 - 8) 4-PLY RIBBED (2500) | 2 |
| 01-317-0240 | HYDRAULIC OIL FILTER (2300 1994 & UP) | 1 |
| 340-139 | FITTING- ELBOW 90 (2500) | 1 |
| 32128-37 | NUT - HF (1800/2500) | 6 |
| 340-6 | FITTING - STRAIGHT (1800/2500) | 1 |

GreensPro™ 1200 Greens Roller

| Part No. | Description | Qty. |
|-----------|---|------|
| 63-07-009 | ORDER 127-5897 | |
| 127-5897 | BEARING - STEERING ASM & LIFT MECHANISM ASM | 4 |
| 111-5758 | BEARING - DRIVE ROLLER ASM | 2 |
| 127-5839 | COMPLETE LONG STEERING ROLLER ASM | 1 |
| 127-8001 | COMPLETE SHORT STEERING ROLLER ASM | 1 |
| 111-5755 | TIRE (16 X 6.5-8) 4-PLY, TURF | 1 |
| 66-2630 | LATCH - SEAT (1240/1260) | 1 |
| 340-6 | FITTING - STRAIGHT (1260) | 1 |
| 117-9507 | PEDAL - ACCELERATOR (1240/1260) | 1 |

HoverPro 400/450/500

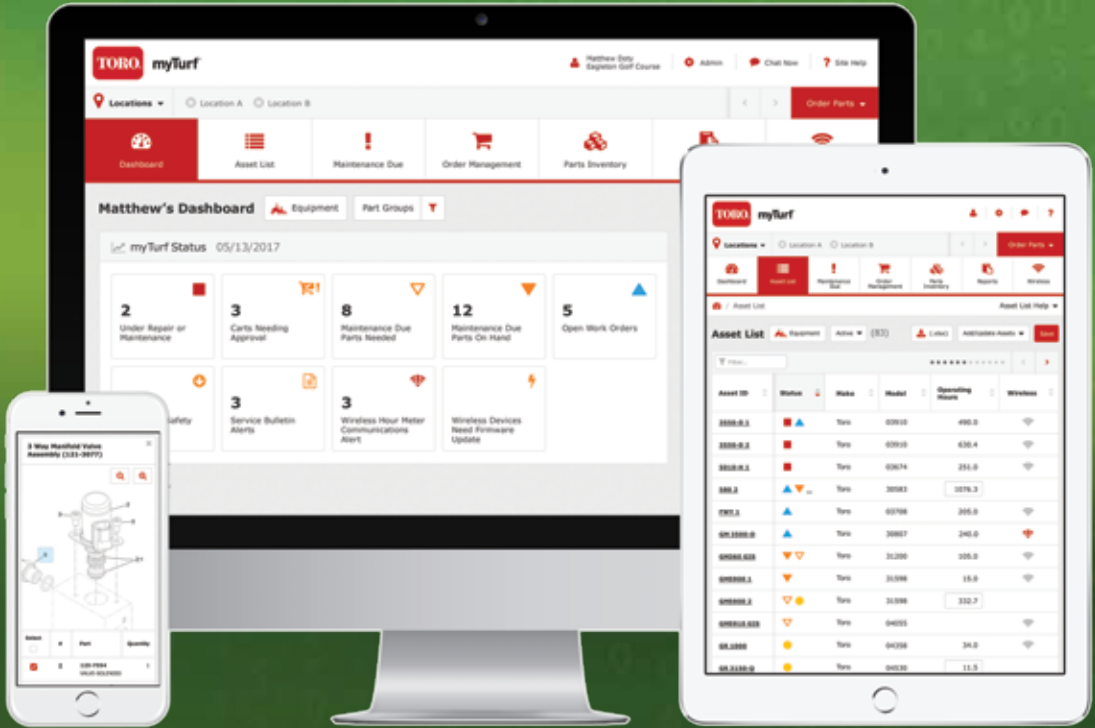
| Part No. | Description | Qty. |
|----------|------------------------------|------|
| 111-1381 | DISC - CUTTING (HP400) | 1 |
| H292327 | BLADE - PLASTIC (HP 450/500) | 2 |

ProStripe 560

| Part No. | Description | Qty. |
|----------|----------------------------|------|
| 411024 | BELT - VARIATOR (520) | 2 |
| 560031W | ROLLER - REAR | 2 |
| 111-1717 | SHAFT - ROLLER | 1 |
| 111-1276 | BEARING - LOWER ASM | 4 |
| 111-1492 | ROLLER BEARING - LOWER ASM | 2 |



myTurf® Pro



Order Parts Online, 24/7

- Order Toro equipment & Irrigation parts online, 24/7
- Schedule maintenance and manage repairs
- Access up-to-date reference materials



toro.com/myTurfPro



PARTS LIST

PARTS LIST

| Part Number | Description |
|-------------|----------------------------|
| 01-100-0260 | BEARING-FLANGE |
| 01-264-0230 | BELT 3/3V800 **NO COG** |
| 01-268-0160 | PULLEY-IDLER |
| 01-279-0010 | FINGER-RUBBER |
| 01-283-0030 | BLADE-SLICING, 4IN |
| 01-283-0040 | BLADE SLICING 6" |
| 01-283-0090 | THATCHER-BLADE |
| 01-317-0240 | FILTER ELEMENT |
| 08725 | 400 HOUR MVP KIT SAND PRO |
| 100-1270 | SWITCH-PROXIMITY |
| 100-1535 | SWITCH |
| 100-1854 | PLUG-GLOW |
| 100-2261-01 | BRACKET-HOC, FRONT |
| 100-2262-01 | REAR HOC BRACKET ASM |
| 100-2263 | SUPPORT-ROD |
| 100-2267-01 | SIDEPLATE |
| 100-2268-01 | LH SIDEPLATE ASM |
| 100-2276 | SPACER-FRAME |
| 100-2287 | DEFLECTOR-SHIELD, GRASS |
| 100-2289 | REAR GRASS SHIELD ASM |
| 100-2348 | RIM ASM |
| 100-2536 | ROLLER ASM |
| 100-2538 | SHAFT-ROLLER |
| 100-2582 | RIM |
| 100-2588 | V-BELT, B-SECTION |
| 100-3017 | PIN-ARM, LIFT |
| 100-3031 | RH LIFT ARM ASM |
| 100-3032 | LH LIFT ARM ASM |
| 100-3052 | PISTON MOTOR ASM |
| 100-3069 | RH BRAKE ASM |
| 100-3070 | LH BRAKE ASM |
| 100-3172-03 | SCREEN ASM |
| 100-3190-03 | ENGINE MOUNT ASM |
| 100-3192 | ELEMENT-FILTER, FUEL |
| 100-3350 | BEDKNIFE-HIGHCUT (FAIRWAY) |
| 100-3380 | RH PIVOT HUB ASM |
| 100-3381 | LH PIVOT HUB ASM |
| 100-3620 | TINE-NEEDLE, 5MM X 6.43 |
| 100-3621 | TINE-NEEDLE, 8MM X 7.38 |
| 100-3693 | MINI TINE ASM |
| 100-3694 | SCREW-HSH |
| 100-3695 | 3 TINE HEAD ASM |
| 100-3696 | 4 TINE HEAD ASM |
| 100-3795 | JOINT-BALL |
| 100-3814 | SLEEVE-PROTECTIVE |
| 100-3833 | HOSE-HYD |
| 100-3876 | HYD HOSE ASM |
| 100-3877 | HYD HOSE ASM |
| 100-3878 | HYD HOSE ASM |
| 100-3879 | HYD HOSE ASM |
| 100-4161 | REAR ROLLER REELMASTER GA |
| 100-4181 | FRONT GRASS SHIELD ASM |
| 100-4194 | CARRIER FRAME ASM |
| 100-4240 | FITTING-STR |
| 100-4809 | HOSE-RADIATOR, LOWER |
| 100-4810 | MUFFLER |
| 100-4815 | CABLE-CONTROL, TRACTION |
| 100-4817 | SPACER-BEARING |
| 100-4824 | AIR CLEANER ASM |
| 100-4825 | BAND-MOUNTING, AIR CLEANER |

| Part Number | Description |
|-------------|---------------------------|
| 100-4838-03 | MOUNT-ENGINE |
| 100-4866 | GROMMET |
| 100-4869 | COOLER-OIL |
| 100-4872 | PLATE-SWITCH, NEUTRAL |
| 100-4876 | HOSE-HYD |
| 100-4880 | HOSE-HYD |
| 100-4890 | FITTING-CHECK |
| 100-4891 | HOSE-HYD |
| 100-4892 | HOSE-HYD |
| 100-4903-03 | FRAME-RADIATOR |
| 100-4918 | DIODE |
| 100-4926 | BEARING-ALIGNING, SELF |
| 100-4928 | BELT-SEAT |
| 100-4929 | SLOPE INDICATOR ASM |
| 100-4930-03 | CARRIER ASM |
| 100-4939-03 | CARRIER-SIDEWINDER |
| 100-4944 | SHAFT-PIVOT, CUTTING UNIT |
| 100-4959 | COLLAR |
| 100-4992 | BRACKET-SPRING |
| 100-4994-01 | FRAME-REEL |
| 100-5024 | PIN-CLEVIS |
| 100-5384 | BEARING-BALL |
| 100-5386 | BEARING-ROLLER |
| 100-5392 | BELT-5VX |
| 100-5396 | BEARING-ROLLER |
| 100-5414 | GUARD-TURF, 3 TINE 5 FING |
| 100-5415 | GUARD-TURF, 3 TINE 3 FING |
| 100-5416 | GUARD-TURF, 4 TINE 5 FING |
| 100-5417 | GUARD-TURF, 4 TINE 7 FING |
| 100-5418 | GUARD-TURF, 6 TINE 5 FING |
| 100-5419 | GUARD-TURF, 6 TINE 7 FING |
| 100-5420 | GUARD-TURF, 8 TINE 9 FING |
| 100-5421 | GUARD-TURF, 8 TINE 5 FING |
| 100-5525 | HOSE ASM |
| 100-5579 | HOSE ASM |
| 100-5582 | SHAFT-PIVOT, LIFT ARM |
| 100-5605-01 | RH SKID ASM |
| 100-5612-01 | LH SKID ASM |
| 100-5620-01 | RH SKID ASM |
| 100-5674 | PIN |
| 100-5703 | SPACER AND BEARING ASM |
| 100-5704 | SPACER - MATCHED SET |
| 100-5705 | SPINDLE SHAFT ASM |
| 100-5709 | NUT-SPINDLE, SPECIAL |
| 100-5762 | SPACER-BEARING |
| 100-5780-03 | FRAME-DECK |
| 100-5797-03 | BRACKET-HOC, RH |
| 100-5799 | SHIM-HOC, .060 INCH |
| 100-5832 | TUBE |
| 100-6131 | SEAL KIT |
| 100-6178 | IDLER ARM ASM |
| 100-6193 | CARRIER FRAME ASM |
| 100-6400 | SHIELD ASM-FRONT |
| 100-6431 | TUBE-RETURN |
| 100-6434 | ROD-HOLD DOWN, BATTERY |
| 100-6435 | POST-BATTERY |
| 100-6440 | PULL LINK AND BUSHING ASM |
| 100-6443-01 | FRAME ASM |
| 100-6448 | SPACER-ROLLER |
| 100-6449 | ROLLER-LIFT |

| Part Number | Description | Part Number | Description |
|-------------|---------------------------|-------------|---------------------------|
| 100-6756 | ELEMENT-FILTER, PRESSURE | 104-0401 | TUBE ASM |
| 100-6991 | ELEMENT-FILTER, GREEN | 104-0402 | TUBE-HYD |
| 100-6992 | ELEMENT-FILTER, RED | 104-0403 | TUBE ASM |
| 100-7100 | SUPPORT-ROD | 104-0404 | TUBE ASM |
| 100-7105 | RH HOC ADJUSTMENT ASM | 104-0405 | HOSE-HYD |
| 100-7106 | LH HOC ADJUSTMENT ASM | 104-0406 | HOSE-HYD |
| 100-7113-01 | WEIGHT-END | 104-0407 | HOSE-HYD |
| 100-7123 | SPACER-BEDBAR | 104-0417 | SLIDE-PLASTIC |
| 100-7124-01 | BEDBAR-MACHINED | 104-0422 | NEUTRAL ARM ASM |
| 100-7126 | BOLT-WHEEL | 104-0454 | HOSE-RADIATOR, UPPER |
| 100-7132 | WIEHLE ROLLER ASM | 104-0462 | HUB-WHEEL, SPACER |
| 100-7136 | REAR GRASS SHIELD ASM | 104-0485-03 | SHIELD-WHEEL |
| 100-7140 | REEL FRAME ASM | 104-0487 | HOSE-HYD |
| 100-7599 | BEARING-BALL | 104-0532 | WASHER-PULLEY |
| 100-7617 | 4 TINE HEAD ASM, HD | 104-0538 | BEARING-SELF ALIGNING |
| 100-7618 | 3 TINE HEAD ASM, HD | 104-0540 | ROLLER-WIEHLE |
| 100-7621 | BEARING-BALL | 104-0705-03 | YOKE-JOINT |
| 100-7644 | BELT-HA (SET 2=1 PC) | 104-0720 | SPACER |
| 100-7695 | FITTING-ELBOW 90 | 104-0762-01 | FORK-CASTOR |
| 100-8011 | CARRIER FRAME ASM | 104-0764 | PISTON MOTOR ASM |
| 100-8070 | LAMP-WARNING | 104-0972 | CLAMP-TINE |
| 100-8071 | LAMP-WARNING | 104-0984 | TINE-HOLLOW, 5/8 X 5.75 |
| 100-8072 | SWITCH | 104-1051-03 | PLATE-SPINDLE |
| 100-8125-01 | LH SKID ASM | 104-1052-03 | BRACKET-HOC, FRONT |
| 100-8138 | SPRING-COMPRESSION | 104-1080 | HOSE-HYD |
| 100-8148-03 | MOUNT-RH | 104-1093 | ROLLER |
| 100-8327 | BEARING-BALL | 104-1156 | SPACER |
| 100-8329 | BEARING-BALL | 104-1301 | BLADE-ATOMIC |
| 100-8372 | BELT-STEERING | 104-1303 | BLADE-ATOMIC |
| 100-8642 | SCREEN-SUCTION | 104-1304 | BLADE ASSY-ATOMIC 24.75 |
| 100-9237 | STARTER ASM | 104-1380 | BEDKNIFE-HIGHCUT (FAIRWAY |
| 100-9333 | GASKET-MUFFLER | 104-1381 | BEDKNIFE-HIGHCUT (FAIRWAY |
| 100-9394 | ALTERNATOR ASM | 104-1385 | WIEHLE ROLLER ASM |
| 100-9818-01 | PLATE-MOUNT, SPRING | 104-1386-03 | ROLLER-WIEHLE, 27IN |
| 100-9819 | LATCH ASM | 104-1388 | WIEHLE ROLLER ASM |
| 100-9821 | PLATE-SWITCH, REED | 104-1389-03 | ROLLER-WIEHLE |
| 100-9900 | FRONT GRASS SHIELD ASM | 104-1392 | SHAFT-PIVOT |
| 100-9905-03 | WIEHLE ROLLER ASM | 104-1806 | SHAFT-ROLLER |
| 100-9906 | WIEHLE ROLLER ASM | 104-1810 | BEDKNIFE-HIGHCUT (FAIRWAY |
| 100-9943-03 | ROLLER TUBE ASM | 104-1830 | BOLT-J |
| 100-9993 | FRONT COVER ASM | 104-1834 | IDLER BEARING ASM |
| 103-0384 | SPACER | 104-1835 | SCREW |
| 103-1802 | FITTING-ELBOW, 90 DEG | 104-1844 | COMB |
| 103-2897 | LATCH-CATCH | 104-2024 | NUT-HEX, NI |
| 103-2898 | LATCH-RUBBER | 104-2057 | SENSOR |
| 103-6771 | TIRE (24X12-12) 4-PLY LUG | 104-2065 | SCREW-HWH |
| 103-9511 | NUT-LOCK, NI | 104-2067 | SPACER-END, MOTOR |
| 104-0015 | BUSHING-FLANGE | 104-2071 | BASKET ASM |
| 104-0028 | GUIDE-HOSE | 104-2078 | SHAFT-ROLLER |
| 104-0046 | PIN-SLIDE, CYLINDER | 104-2091 | ROLLER-ANTI SCALP |
| 104-0057 | HYD HOSE ASM | 104-2200-01 | CHAMBER-CENTER |
| 104-0058 | HYD HOSE ASM | 104-2201-01 | CHAMBER-RH |
| 104-0063 | HYD HOSE ASM | 104-2202-01 | CHAMBER-LH |
| 104-0064 | HYD HOSE ASM | 104-2203-01 | OUTER CHAMBER ASM |
| 104-0067 | HYD HOSE ASM | 104-2204-01 | CHAMBER-INNER |
| 104-0068 | HYD HOSE ASM | 104-2205-01 | CHAMBER-INNER |
| 104-0069 | HYD HOSE ASM | 104-2235 | HOSE ASM |
| 104-0080 | FILTER HEAD ASM | 104-2250-01 | SKID-SIDE |
| 104-0108 | U-BOLT | 104-2260 | HOSE ASM |
| 104-0400 | TUBE ASM | 104-2261 | HOSE ASM |

PARTS LIST

| Part Number | Description |
|-------------|---------------------------|
| 104-2263 | HOSE ASM |
| 104-2264 | HOSE ASM |
| 104-2265 | HOSE-HYD |
| 104-2281 | SHAFT-PIVOT |
| 104-2541 | SWITCH ASM |
| 104-2547 | SPACER INNER |
| 104-2602-03 | BAR-OFF, CUT |
| 104-2607 | STRIP-BASKET |
| 104-2609 | SLEEVE-PULLEY |
| 104-2610 | NUT-HF |
| 104-2611 | NUT-HF |
| 104-2612 | NUT-HF |
| 104-2628 | SCREW-HWH |
| 104-2632 | GRASS SHIELD ASM |
| 104-2640 | 18 INCH FULL ROLLER ASM |
| 104-2642 | 21 INCH FULL ROLLER ASM |
| 104-2646 | BEDKNIFE-HIGHCUT (GREENS) |
| 104-3355 | ROD-SPRING |
| 104-3357 | CARRIER FRAME ASM |
| 104-3365 | ROD-SUPPORT |
| 104-3366 | SPACER |
| 104-3373-01 | RH HOC BRACKET ASM |
| 104-3375-01 | LH HOC BRACKET ASM |
| 104-3388 | SEAL-GREASE |
| 104-3394 | SPRING-COMPRESSION |
| 104-3396 | SCREW-HH |
| 104-3398 | HOUSING-BEARING, MACH |
| 104-3399 | BEARING HOUSING ASM |
| 104-3494 | BELT-V |
| 104-3502 | HOSE ASM |
| 104-3541 | HUB-SPIDER |
| 104-3542 | SPIDER |
| 104-3545 | PULLEY-DRIVING |
| 104-3546 | PULLEY-DRIVEN, LOW |
| 104-3547 | PULLEY-DRIVEN, DOUBLE |
| 104-3548 | PULLEY-DRIVEN, HIGH |
| 104-3554 | SHAFT-SPINDLE |
| 104-3563 | INDICATOR |
| 104-3661 | BRACKET-SPRING |
| 104-3797 | FITTING-STRAIGHT |
| 104-4046 | BEARING-CUP |
| 104-4212 | RING-RETAINING, SPIRAL |
| 104-4229 | REAR CARRIER FRAME ASM |
| 104-4246 | FAN-ENGINE |
| 104-4299 | CROSS AND BEARING KIT |
| 104-4569-03 | BLADE-24.75" |
| 104-4620 | SEAT |
| 104-4623-01 | TUBE & END CAP ASM |
| 104-4624-03 | BRACKET-HOC, LH |
| 104-4641 | SHIM-HOC, .030 INCH |
| 104-4727 | RING-RETAINING |
| 104-4754 | SPRING-DETENT |
| 104-4809 | DRUM-BRAKE |
| 104-4817 | LEVER-BRAKE |
| 104-4819-03 | BRACKET-PIVOT, LH |
| 104-4820-03 | BRACKET-STOP, CARRIER |
| 104-4821 | SPRING-TORSION |
| 104-4825-03 | BRACKET-PIVOT, RH |
| 104-4828-03 | BRACKET-ACTUATOR |
| 104-4834 | MUFFLER |

| Part Number | Description |
|-------------|---------------------------|
| 104-4836 | FITTING-TEE |
| 104-4840 | TANK-HYD |
| 104-4852-03 | PEDAL-TRACTION |
| 104-4853-03 | SCREEN-HOOD |
| 104-4855-03 | FRAME-RADIATOR |
| 104-4890 | PISTON PUMP ASM |
| 104-5169 | FILTER-OIL |
| 104-5183 | BLADE-LIFT, HIGH |
| 104-5190-03 | PANEL-CONTROL |
| 104-5207 | HOSE-TURBO |
| 104-5214 | SPACER-TUBULAR |
| 104-5215 | PUMP-FUEL, ELECTRIC |
| 104-5428 | BRACKET-OIL COOLER, TOP |
| 104-5429 | CLAMP-FORM, WIRE |
| 104-5460-03 | PLATE-MOUNT, OIL COOLER |
| 104-5464 | HOSE-HYD |
| 104-5483 | HOSE-HYD |
| 104-5500 | HOSE-HYD |
| 104-5501 | HOSE-HYD |
| 104-5502 | HOSE-HYD |
| 104-5504 | HOSE-HYD |
| 104-5505 | HOSE-HYD |
| 104-5511 | HOSE -HYD |
| 104-5512 | HOSE-HYD |
| 104-5525 | PIN-CYLINDER |
| 104-6126 | WASHER-FLAT |
| 104-6478 | SPRING-EXTENSION |
| 104-7064 | TIRE (22X9.50-10) 4-PLY T |
| 104-7179 | PIVOT-PEDAL |
| 104-7201 | NUT-HF |
| 104-7520 | SPRING-DAMPER |
| 104-7521 | BUSHING |
| 104-7529-01 | BRACKET-CASTOR |
| 104-7546 | TANK STRAINER ASM |
| 104-7547 | CABLE-THROTTLE |
| 104-7705 | BRAKE ASM |
| 104-7706 | E-RING, BOWED |
| 104-7707 | SHAFT-CAM, BRAKE |
| 104-7708 | BRAKE CAM & E-RING ASM |
| 104-7719 | BALL JOINT ASM |
| 104-7738 | BUSHING-FLANGE |
| 104-7851 | FITTING-HYD, 45 DEG |
| 104-8162 | BATTERY-DRY |
| 104-8215 | COLLAR KIT |
| 104-8216 | SCREW-SQH |
| 104-8219 | GRASS BASKET ASM |
| 104-8300 | NUT-HF, NI |
| 104-8301 | NUT-HF, NI |
| 104-8322 | WASHER-HARDENED |
| 104-8331 | END-ROD, SPHERICAL |
| 104-8341 | BUSHING-STRAIGHT |
| 104-8772 | TORO PREMIUM GEAR AND BEA |
| 104-9219 | DISC-CLUTCH |
| 10-4930-01 | BAR-BED |
| 104-9312 | PIN-GROOVED |
| 104-9314 | RM5500 REEL DRIVE HOSE KI |
| 104-9317 | RM52/5400 REEL DRIVE HOSE |
| 104-9321 | HYD HOSE ASM |
| 104-9322 | HYD HOSE ASM |
| 104-9323 | HOSE-HYD |

| Part Number | Description | Part Number | Description |
|-------------|---------------------------|-------------|---------------------------|
| 104-9447 | ADAPTER-MOTOR | 105-2409 | SCREW-HSH |
| 104-9480 | SHAFT-ROLLER | 105-2439 | BASKET-GRASS |
| 104-9483 | DEFLECTOR ASM | 105-2539 | CAP |
| 104-9492-03 | SCRAPER ASM | 105-2806 | END-ROD |
| 104-9838 | GRIP-FOAM | 105-2808 | END-ROD |
| 104-9875 | TINE-SIDE EJECT, HD 3/4 X | 105-2809 | TUBE-LINK |
| 104-9876 | TINE-SIDE EJECT, HD 5/8 X | 105-3048 | WASHER-FLAT |
| 104-9877 | TINE-SIDE EJECT, 7/8 X 5. | 105-3249 | DAMPER |
| 104-9914 | NUT-HEX | 105-3693 | BELT-FAN |
| 105-0000 | SPACER-FAN | 105-3800 | CONTROL VALVE ASM |
| 105-0023 | SWITCH-PROXIMITY | 105-3820 | HYD CYLINDER ASM |
| 10-5010 | SCREW-ADJUSTMENT, ROLLER | 105-3821 | HYD CYLINDER ASM |
| 105-0131 | STRAINER-TANK, OIL | 105-3822 | HYD CYLINDER ASM |
| 105-0139 | RM6000 REEL DRIVE HOSE KI | 105-3823 | HYD CYLINDER ASM |
| 105-0140 | RM6700 REEL DRIVE HOSE KI | 105-3824 | SEAL-GREASE |
| 105-0150 | SEAL-GREASE | 105-3825 | HOUSING-BEARING, RH |
| 105-0156 | SHAFT-ROLLER | 105-3826 | HOUSING-BEARING, LH |
| 105-0158 | SHAFT-ROLLER | 105-3827 | BEARING-BALL, SELF ALIGNI |
| 105-0171-03 | WEIGHT-END | 105-3833 | BOLT-ECCENTRIC |
| 105-0172 | SPACER | 105-3834 | BOLT-SHOULDER |
| 105-0173 | WASHER | 105-3835 | SEAL KIT |
| 105-0177 | SPACER | 105-3836 | SEAL KIT |
| 105-0191 | FULL ROLLER ASM | 105-3838 | SPACER |
| 105-0194 | SHAFT-ROLLER | 105-3912 | LATCH-DRAW |
| 105-0195-01 | SHIELD-GRASS, REAR ASM | 105-3985 | HOSE-HYD |
| 105-0418-01 | ARM-STEERING | 105-4005-01 | PLATE-SIDE, RH ASM |
| 105-0452 | PIVOT HINGE ASM | 105-4006-01 | PLATE-SIDE, LH ASM |
| 105-0463-01 | PLATE-FOOTREST | 105-4007-01 | FRAME ASM-DETHATCHER |
| 105-0464-03 | PLATE-SEAT | 105-4011-03 | WEIGHT-END |
| 105-0494 | HYDROSTAT ASM | 105-4021 | ROD-SUPPORT |
| 105-0499-03 | PANEL-CONTROL | 105-4232 | SWITCH |
| 10-5060 | BRACKET-HOC | 105-4302 | NEUTRAL ARM ASM |
| 105-0750 | FAN | 105-4320 | SWITCH |
| 105-0775 | STEERING CYLINDER ASM | 105-4327 | TUBE-HYD, CASEDRAIN |
| 10-5080-01 | CAP-END | 105-4332 | HOSE-HYD |
| 105-0836 | CABLE-BATTERY, BLACK | 105-4333 | HOSE-HYD |
| 105-0887 | BELT-DRIVE, PTO | 105-4337 | HOSE-HYD |
| 105-0965 | BEARING-BALL | 105-4338 | HYD HOSE ASM |
| 105-0989 | BELT-3V | 105-4339 | HOSE-HYD |
| 105-0991 | BELT-BANDED, 4 GROOVE | 105-4340 | HYD HOSE ASM |
| 105-1032-03 | CLAMP-HOLDER, 4 TINE | 105-4342 | HOSE ASM |
| 105-1036-03 | 3 TINE HOLDER ASM | 105-4347 | HOSE-HYD |
| 105-1038-03 | CLAMP-HOLDER, 3 TINE | 105-4548 | SHAFT-SPRING |
| 105-1045-03 | 4 TINE HOLDER ASM | 105-4549 | SPACER-ROLLER |
| 105-1098-03 | CLAMP-TINE, NEEDLE | 105-4552 | BEARING-PLASTIC |
| 105-1099 | NEEDLE TINE HOLDER ASM | 105-4579 | GAUGE-OIL |
| 105-1180 | TINE-HOLLOW, 1/2 X 6.50 | 105-5342 | BOLT-PLOW - SPECIAL |
| 105-1184 | TINEHOLDER | 105-5379 | NUT-SPRING |
| 105-1212 | HOSE-HYD | 105-5392 | RIVET-DRIVE |
| 105-1213 | HOSE-HYD | 105-5394 | ROD-TRAILER, LARGE |
| 105-1214 | HOSE-HYD | 105-5400 | HOSE-HYD |
| 105-1215 | HOSE-HYD | 105-5401 | HOSE-HYD |
| 105-1216 | HOSE-HYD | 105-5402 | HOSE-HYD |
| 105-1218 | PISTON MOTOR ASM | 105-5404 | HOSE-HYD |
| 105-1219 | HYD MOTOR ASM | 105-5405 | HOSE-HYD |
| 105-1221 | HOSE ASM | 105-5409 | HOSE ASM |
| 105-1222 | HOSE ASM | 105-5421-01 | PEDAL-TRACTION |
| 105-1230 | PLATE-SCRAPER | 105-5430 | ROD-CONNECTING |
| 105-1686 | SPINDLE SHAFT ASM | 105-5444 | CABLE-LOCK, NEUTRAL |
| 105-1904 | GRIP-HANDLE | 105-5445 | CABLE-TRACTION |

PARTS LIST

| Part Number | Description |
|-------------|---------------------------|
| 105-5460 | TUBE-HYD |
| 105-5482 | TUBE-HYD |
| 105-5493 | TUBE-HYD |
| 105-5700 | WASHER-WAVE |
| 105-5706 | NUT-LOCK, BEARING |
| 105-5708 | PLUG-EXPANSION |
| 105-5709 | WEIGHT ASM |
| 105-5719 | COVER |
| 105-5720 | BELT-V, POLY |
| 105-5722 | PULLEY-DRIVER |
| 105-5729 | HOUSING-BEARING, RH |
| 105-5730 | HOUSING-BEARING, LH |
| 105-5736 | SHAFT-BRUSH |
| 105-5740 | HOOK-LIFT |
| 105-5761 | GROMMET |
| 105-5769 | WASHER |
| 105-5770 | NUT-SHOULDER |
| 105-5774 | BOLT-SHOULDER |
| 105-5775 | RING-RETAINING |
| 105-5795 | PLATE-SIDE, LH |
| 105-5797 | PLATE-SIDE, RH |
| 105-5799 | FRAME |
| 105-6755 | HOUSING-BEARING, LH |
| 105-6758 | SETSCREW-SQH |
| 105-6759 | HOUSING-BEARING, RH |
| 105-6761 | SEAL-GUARD |
| 105-6785 | BEDKNIFE-LOWCUT (FAIRWAY) |
| 105-6792 | BRUSH-ROLLER |
| 105-7269 | KIT-TALL GRASS, BAHIA 62/ |
| 105-7270 | STD BLADE/BELT KIT |
| 105-7271 | BLADE/BELT KIT |
| 105-7272 | STD BLADE/BELT KIT |
| 105-7441 | BEARING-SPHERICAL |
| 105-7443 | SPACER-PILOT |
| 105-7468 | STUD-TAPERED |
| 105-7482 | PIN-LATCH |
| 105-7507 | HUB-PIVOT, JOYSTICK |
| 105-7576 | GEAR PUMP ASM |
| 105-7577 | HYD LIFT BLOCK MANIFOLD A |
| 105-7900 | HYD HOSE ASM |
| 105-7901 | HYD HOSE ASM |
| 105-7902 | HYD HOSE ASM |
| 105-7903 | HYD HOSE ASM |
| 105-7927 | HOSE-HYD |
| 105-7941 | NUT-HEX, SLOTTED |
| 105-8075 | INSERT-THREADED, RH |
| 105-8076 | INSERT-THREADED, LH |
| 105-8095-01 | BEDBAR-FAIRWAY |
| 105-8118 | BEARING-CONE |
| 105-8120 | BEARING-CONE |
| 105-8250 | CONSOLE |
| 105-8252-03 | BRACKET-POD |
| 105-8285 | HOSE-INLET, PUMP |
| 105-8288 | ROD-JOYSTICK |
| 105-8289 | SPRING-TORSION |
| 105-8536-01 | ARM-STEERING |
| 105-9156 | SEAL KIT |
| 105-9159 | SEAL KIT |
| 105-9202 | NO. 2 LIFT ARM ASM |
| 105-9203 | NO. 3 LIFT ARM ASM |

| Part Number | Description |
|-------------|---------------------------|
| 105-9238 | HOSE-HYD |
| 105-9612 | SPRING-BRUSH |
| 105-9613-01 | BRACKET-BRUSH, LH |
| 105-9614-01 | BRACKET-BRUSH, RH |
| 105-9616-01 | BRACKET-BRUSH, RH |
| 105-9632 | BOLT-J |
| 105-9635 | BRUSH-GROOMER |
| 105-9767 | REEL FRAME ASM-SPA |
| 105-9768 | REEL FRAME ASM-4BOLT |
| 105-9770 | HYD MOTOR ASM |
| 105-9810-03 | BLADE-ANGLE SAIL |
| 105-9816 | ROLLER-PLASTIC |
| 105-9817 | HOSE-HYD |
| 105-9822 | SPACER |
| 105-9823 | BUSHING-CARRIER |
| 105-9827 | SHAFT |
| 105-9912 | SPACER-LATCH |
| 105-9926 | SPRING-EXTENSION |
| 105-9928-01 | SPINDLE ASM |
| 105-9930-01 | HITCH |
| 105-9935 | PLUG-TUBE, SQUARE |
| 105-9943 | WASHER-THRUST |
| 105-9945 | SEAL-GREASE, BLUE |
| 106-0003 | V-BELT |
| 106-0005 | CENTER SPINDLE ASM |
| 106-0006 | OUTER SPINDLE ASM |
| 106-0022 | PULLEY-OUTBOARD |
| 106-0023 | PULLEY-CENTER |
| 106-0631 | PACK-SERVICE, BLADE (104- |
| 10-6090 | PIN-PIVOT |
| 106-1025 | PLUG-HYD |
| 106-1026 | PLUG-HYD |
| 106-1080-03 | REAR REEL ASM |
| 106-1082 | BEARING-FLANGE, 2 BOLT |
| 106-1085-03 | REEL SPINDLE ASM |
| 106-1128 | HOSE-FUEL |
| 106-2271 | SHAFT-PIVOT |
| 106-2416 | AIR CLEANER ASM |
| 106-2600-01 | SHIELD-GRASS |
| 106-2603 | SCREW-HSH |
| 106-2607 | O-RING |
| 106-2619 | STRIP-SEAL |
| 106-2630 | IDLER BEARING ASM |
| 106-2633 | SCREW-HHF |
| 106-2646 | RING-RETAINING, BOWED |
| 106-2648-01 | BEDBAR |
| 106-3621 | STEERING VALVE ASM |
| 106-3622 | STEERING TILT COLUMN ASM |
| 106-3662 | HOSE-HYD |
| 106-3669 | HYD HOSE ASM |
| 106-3670 | HYD HOSE ASM |
| 106-3671 | HOSE-HYD |
| 106-3672 | HYD HOSE ASM |
| 106-3680 | HOSE-HYD |
| 106-3691 | HOSE-HYD |
| 106-3692 | HOSE-HYD |
| 106-3693 | HOSE-HYD |
| 106-3712-03 | PEDAL-BRAKE |
| 106-3713 | DETENT |
| 106-3719 | HUB-PEDAL, TRACTION |

| Part Number | Description | Part Number | Description |
|-------------|----------------------------|-------------|---------------------------|
| 106-3731 | ROD-PIVOT | 106-7536 | BEDBAR ADJUSTER ASM |
| 106-3840 | PEDAL-TRACTION | 106-7865 | MOUNT-ENGINE |
| 106-3924 | BRACKET-ROLLER, REAR | 106-7962 | HOSE-HYD |
| 106-3925 | SHIM-ROLLER (0.25) | 106-7974 | HOSE-HYD |
| 106-3937 | CARRIER FRAME ASM | 10-6821 | BRAKE DRUM ASM |
| 106-4154 | FLOORPLATE ASM | 106-8417 | SPACER-SHAFT, DRUM |
| 106-4167 | JOYSTICK BRACKET ASM | 106-8428 | PLATE-SIDE, RH |
| 106-4192 | SPACER | 106-8429 | PLATE-SIDE, LH |
| 106-4214 | SETSCREW-SQH | 106-8437 | STRAP-LATCH |
| 106-4237 | BEARING | 106-8448 | BEARING-RACE, EXTENDED |
| 106-4269 | PULLEY-DRIVE, DOUBLE | 106-8450 | TAB-BRUSH |
| 106-4317 | SUPPORT-SPRING | 106-8454 | ROD ASM |
| 106-4353-03 | BLADE-ATOMIC, 25 INCH, LH | 106-8459 | BUNGEE |
| 106-4383 | BELT-V, BANDED | 106-8463 | SHIM-GROOMER |
| 106-4616 | SCREW-SPACER | 106-8468 | RH IDLER ASM |
| 106-4620 | PIVOT MOUNT ASM | 106-8470 | LH IDLER ASM |
| 106-4668 | NUT-LOCK | 106-8471 | HUB-PIVOT |
| 106-4669 | DECAL-WARNING, TRAILER | 106-8482 | ADJUSTER |
| 106-4675 | TONGUE ASM | 106-8489 | BUSHING-SLEEVE |
| 106-4689 | GRASS BASKET ASM | 10-6850 | DRUM-BRAKE |
| 106-4904 | ELEMENT-AIR CLEANER | 106-8511 | ARM-GROOMER HOC, RH |
| 106-5187 | BATTERY-DRY | 106-8513 | ARM-GROOMER HOC, LH |
| 106-5190 | BATTERY | 106-8521 | DECAL-WARNING |
| 106-5269 | IGNITION SWITCH ASM | 106-8527 | BUSHING |
| 106-5270 | IGNITION KEY SET | 106-8528 | SCREW-LOCK |
| 106-5277 | AIR CLEANER ASM | 106-8529 | PLUG-CAP |
| 106-5336 | NUT-JAM | 106-8530 | SEAL-GREASE |
| 106-5344 | BUSHING-FLANGE, KEYED | 106-8535 | RH LIFT ARM ASM |
| 106-5354 | SPRING-LATCH | 106-8536 | LH LIFT ARM ASM |
| 106-5363 | SHAFT-ADJUSTER | 106-8540 | PULLEY ASM |
| 106-5366-01 | FRAME ASM | 106-8542 | LH DRIVE COVER ASM |
| 106-5384 | STRIP-PAD | 106-8625 | BLADE-CARBIDE |
| 106-5388 | ROD-LOCK | 10-6870-03 | HUB-WHEEL |
| 106-5408 | GASKET-COVER | 106-8871 | BEARING-BALL |
| 106-5409 | GASKET-CASE, GEAR | 106-8872 | RING-RETAINING |
| 106-5422 | BLADE-11 TOOTH (NARROW CA) | 106-9004 | BUMPER |
| 106-6355 | BLADE-11 TOOTH (CARBIDE) | 106-9066 | HYD CYLINDER ASM |
| 106-6362 | SEAL KIT | 106-9095-01 | SCRAPER ASM |
| 106-6392 | KIT-DETHATCHER BLADE | 106-9288 | SENSOR-PROXIMITY, FERROUS |
| 106-6394 | MOW PEDAL ASM | 106-9518 | SCREW-PRH |
| 106-6395 | CUTTING CONTROL SHAFT ASM | 106-9605 | BEDBAR PIVOT KIT |
| 106-6396 | LIFT-PIVOT V | 106-9606 | ROLLER KIT |
| 106-6691 | CABLE-BRAKE, PARK | 106-9607 | FULL ROLLER KIT |
| 106-6698 | CABLE-HI-LOW | 106-9618 | BUSHING-RUBBER |
| 106-6716 | SEAL KIT | 106-9623 | BOLT-BEDBAR |
| 106-6726 | STEERING PUMP ASM | 106-9627 | ROLLER BRUSH ASM |
| 106-6754 | DECAL-DANGER | 106-9674 | HOSE-HYD |
| 106-6774 | JOINT-BALL | 106-9691 | TIRE-4-PLY |
| 106-6895-03 | BALL JOINT ASM | 106-9758 | SCREW-CARR |
| 106-6914 | RING-SNAP, INTERNAL | 106-9888 | WASHER-FLAT |
| 106-6915 | PULLEY ASM | 107-0204 | HOSE ASM |
| 106-6917 | PULLEY-DRIVEN | 107-0214-03 | BLADE-ATOMIC, 21.75 IN |
| 106-6926 | SEAL-GREASE | 107-0215-03 | BLADE-ATOMIC, 19.00 IN |
| 106-6927 | SLEEVE | 107-0216-03 | BLADE-ATOMIC, 19.00 |
| 106-6929 | V-RING | 107-0217-03 | BLADE-ATOMIC, 20.00 IN |
| 106-6937 | DPA REEL SEAL KIT | 107-0222 | HOSE ASM |
| 106-6941 | SEAL | 107-0235-03 | BLADE-ATOMIC |
| 106-6942 | V-RING | 107-0244 | RADIATOR |
| 106-7159 | O-RING | 107-0245 | SEAL KIT |
| 106-7166-03 | BLADE-COMBINATION (19 INC | 107-0249 | SEAL KIT |

PARTS LIST

| Part Number | Description |
|-------------|---------------------------|
| 107-0392 | PROTECTION-TERMINAL, AERO |
| 10-7070 | KEY-SQUARE |
| 107-1054 | BEARING |
| 107-1078 | BEARING |
| 107-1135 | HOSE ASM |
| 10-7130 | WIRE ASM |
| 107-1588 | ROLLER REBUILD KIT |
| 107-1589 | ROLLER REBUILD KIT |
| 107-1590 | 4 BOLT CU REBUILD KIT |
| 107-1591 | ROLLER REBUILD KIT |
| 107-1592 | ROLLER REBUILD KIT |
| 107-1593 | ROLLER REBUILD KIT |
| 107-1594 | ROLLER SEAL REBUILD KIT |
| 107-1595 | ROLLER REBUILD KIT |
| 107-1598 | 4 BOLT CU REBUILD KIT |
| 107-1977 | SEAL KIT |
| 107-1979 | LIFT CYLINDER ASM |
| 107-1997 | FITTING-GREASE |
| 107-2043-03 | BRACKET-OIL COOLER, TOP |
| 107-2052 | PIVOT YOKE ASM |
| 107-2062 | PIN |
| 107-2077 | PIN-CYLINDER |
| 107-2084 | TRACTION CABLE ASM |
| 107-2152 | HOSE-SUCTION |
| 10-7240 | SLEEVE-PULLEY, STEERING |
| 107-2550 | CABLE-CONTROL, TRACTION |
| 107-2552-01 | BRACKET-BULKHEAD |
| 107-2553 | ROD END ASM |
| 107-2554 | DECAL-PANEL, CONTROL |
| 107-2561 | NUT-HEX |
| 107-2563 | SEAL KIT |
| 107-2564 | SEAL KIT |
| 107-2565 | 4 SECTION GEAR PUMP ASM |
| 107-2567 | 5 SECTION GEAR PUMP ASM |
| 107-2577 | GEAR PUMP KIT - 5 SECTION |
| 107-2580 | TUBE-HYD |
| 107-2582 | TUBE-HYD |
| 107-2598 | LH LIFT ARM ASM |
| 107-2599 | RH LIFT ARM ASM |
| 107-2951 | FRAME |
| 107-2954 | NUT-ADJUSTER, BEARING |
| 107-2970 | ROD |
| 107-2979 | BOLT-SHOULDER |
| 107-2993-03 | WIEHLE SCRAPER ASM |
| 107-2996 | FRONT GRASS SHIELD ASM |
| 107-2999 | SCRAPER ROD ASM |
| 107-3205 | SEAL-OIL |
| 107-3206 | SHAFT-DRUM, RH |
| 107-3207 | SHAFT-DRUM, LH |
| 107-3216 | SHAFT-WHEEL, TRANSPORT (R |
| 107-3224 | SHAFT-WHEEL, TRANSPORT (L |
| 107-3227 | NUT-BEARING, LOCK |
| 107-3228 | SPACER-SEAL |
| 107-3233 | SEAL-OIL |
| 107-3237 | SPACER |
| 107-3238 | V-RING |
| 107-3244 | O-RING |
| 107-3258 | FRAME |
| 107-3273-01 | BEDBAR |
| 107-3275 | INSERT-THREADED, RH |

| Part Number | Description |
|-------------|---------------------------|
| 107-3276 | INSERT-THREADED, LH |
| 107-3279 | BRACKET-SCRAPER, LH |
| 107-3280 | REAR ROLLER SCRAPER KIT-R |
| 107-3281 | BRACKET-SCRAPER, RH |
| 107-3296 | SHAFT-ROLLER, REAR |
| 107-3299-03 | ROLLER TUBE ASM |
| 107-3376 | SPRING-COMPRESSION |
| 107-3399 | ADAPTER-WEIGHT, WHEEL |
| 107-3505 | SPACER-TOOL, ROLLER |
| 107-3509 | STEEL ROLLER ASM |
| 107-3526 | STEERING BOX ASM |
| 107-3532 | GROMMET |
| 107-3533 | SHAFT-STEERING |
| 107-3540-03 | TUBE |
| 107-3543-01 | FORK ASM |
| 107-4001 | SHIM-ROLLER (0.01 INCH) |
| 107-4026 | SCREW-HH |
| 107-4027 | CAP |
| 107-4028 | SEAL-GREASE |
| 107-4303 | HYD CYLINDER ASM |
| 107-4304 | HYD CYLINDER ASM |
| 107-4349-03 | MOUNT-DECK, LH |
| 107-4501-01 | PLATFORM ASM |
| 107-4513 | TANK-OIL |
| 107-4517-03 | HOUSING-MOTOR |
| 107-4543 | CLAMP |
| 107-4544 | HYD MOTOR ASM |
| 107-4545 | COVER-TANK |
| 107-4546-03 | AXLE ASM |
| 107-4547 | GEAR PUMP ASM |
| 107-4738 | BELT-HH |
| 107-4788 | BELT-HEX |
| 10-7640 | REAR UNIT RETURN HOSE |
| 10-7670 | LH FRT RETURN HOSE |
| 107-7400 | PIN-LYNCH |
| 107-7409 | PIN-PIVOT, BEDBAR |
| 107-7433 | CARRIER FRAME ASM |
| 107-7447 | SCREW-SET, SQH |
| 107-7589 | CONE-BEARING (W/ SEAL) |
| 107-7590 | CUP-BEARING |
| 107-7773 | SCREW-HSH |
| 107-7777-01 | REAR SHIELD ASM |
| 107-7779-01 | SHIELD-GRASS, REAR |
| 107-7795 | SEAL-GREASE |
| 107-7796 | SHAFT-DRIVE |
| 107-7816 | BRACKET-SKID |
| 107-7817 | FILTER-OIL, ENGINE |
| 107-7819 | SEAL KIT |
| 107-7828 | REAR CASTING ASM |
| 107-7834 | PULLEY-IDLER |
| 107-8105 | BEARING-BALL, EXTENDED RA |
| 107-8107 | WASHER-WAVE |
| 107-8133 | WASHER-FLAT |
| 107-8181 | KNIFE-BED, FAIRWAY |
| 107-8183-01 | LH RAMP ASM |
| 107-8184-01 | RH RAMP ASM |
| 107-8186-01 | PLATE-TONGUE |
| 107-8188 | KIT-HITCH, ADJUSTABLE |
| 107-8190-01 | CLEVIS-TRAILER |
| 10-7820 | PIVOT HINGE ASM |

| Part Number | Description | Part Number | Description |
|-------------|----------------------------|-------------|--------------------------|
| 107-8844 | O-RING | 108-1689 | HOSE-HYD |
| 107-9091 | PIPE-WATER | 108-1691 | TUBE ASM |
| 107938 | SPRING-EXTENSION | 108-1693 | HOSE |
| 107-9519 | HYD HOSE ASM | 108-1695 | AIR RIDE SUSPENSION ASM |
| 107-9531 | FILTER-OIL, HYD | 108-1696 | HOSE-FORMED |
| 108-0015 | WASHER-FLAT | 108-1697 | HOSE-FORMED |
| 108-0573-01 | CASTOR FORK ASM | 108-1698 | TUBE ASM |
| 108-0617 | BELT-DRIVE | 108-1699 | TUBE ASM |
| 108-0638 | BOTTLE-OVERFLOW | 108-1700 | TUBE ASM |
| 108-0800 | MVP KIT-BLADE PACK COMBO | 108-1701 | TUBE ASM |
| 108-0989 | SCREW-SET | 108-1702 | TUBE ASM |
| 10-8100-01 | STRAP-SHAFT, BRAKE | 108-1703 | TUBE ASM |
| 10-8110 | WASHER-THRUST | 108-1704 | TUBE ASM |
| 108-1176 | SWITCH ASM | 108-1708 | TUBE ASM |
| 108-1177 | PREMIUM ALL SEASON HYD. F | 108-1710 | TUBE ASM |
| 108-1178 | PREMIUM ALL SEASON HYD. F | 108-1711 | TUBE-HYD |
| 108-1183 | PREM. TRANS / HYD TRACTOR | 108-1712 | TUBE ASM |
| 108-1184 | PREM. TRANS / HYD TRACTOR | 108-1713 | TUBE ASM |
| 108-1185 | PREMIUM ATF (55 GAL) | 108-1714 | TUBE ASM |
| 108-1187 | PREMIUM ALL SEASON GEAR L | 108-1720 | TUBE ASM |
| 108-1190 | PREMIUM ALL PURPOSE GREASE | 108-1721 | TUBE ASM |
| 108-1196 | PREMIUM ENGINE OIL SAE 30 | 108-1745 | HOSE-FORMED |
| 108-1197 | PREMIUM ENGINE OIL SAE 30 | 108-1757 | COVER-SEATBASE |
| 108-1260 | BATTERY-DRY | 108-1782 | HEADER |
| 108-1370 | GEARBOX REPLACEMENT KIT | 108-1783 | HEADER ASM |
| 10-8140 | SPRING-LATCH, BRAKE | 108-1785-03 | BRACKET-SUPPORT, MUFFLER |
| 108-1450 | BLADE SERVICE PACK, 21.75 | 108-1791 | SHROUD-FAN |
| 108-1451 | ATOMIC BLADE SERVICE PACK | 108-1799-03 | HOOP-GUARD |
| 108-1452 | BLADE SERVICE PACK, 19 IN | 108-1801-01 | BRACKET-SUPPORT, PUMP |
| 108-1453 | BLADE SERVICE PACK, 20 IN | 108-1802 | CABLE-BATTERY, POSITIVE |
| 108-1454 | BLADE SERVICE PACK, 25 IN | 108-1806-01 | PLATE-FLOOR |
| 108-1462 | BLADE SERVICE PACK, 27 IN | 108-1814-03 | BRACKET-BULKHEAD |
| 108-1463 | BLADE SERVICE PACK, 27 IN | 108-1825 | HYD MANIFOLD ASM |
| 108-1464 | BLADE SERVICE PACK, 27 IN | 108-1842 | FUEL TANK ASM |
| 108-1471 | RH REAR ARM ASM | 108-1844 | TREAD-PANEL, SERVICE |
| 108-1473 | LH REAR ARM ASM | 108-1924 | SPACER-IDLER |
| 108-1475-03 | BELL CRANK-RH | 108-1954 | BEARING SPACER SET |
| 108-1476-03 | BELL CRANK-LH | 108-1956 | SHAFT-SPINDLE |
| 108-1477 | BLADE SERVICE PACK, 18 IN | 108-2124-03 | CLAMP-TINE |
| 108-1478 | BLADE SERVICE PACK, 24.75 | 108-2132 | CORING HEAD BEARING KIT |
| 108-1483 | WASHER | 10-8220 | TOOL BOX PAD |
| 108-1590 | PREMIUM ALL SEASON GEAR L | 108-2282 | PIN-CLEVIS |
| 108-1591 | PREM HVY DUTY ALL SEASON | 108-2603 | ELEMENT-FILTER, AIR |
| 108-1600 | RIM | 108-2604 | AIR FILTER ELEMENT ASM |
| 108-1602 | WHEEL AND TIRE ASM | 108-2829 | ADAPTOR-CARBURETOR |
| 108-1606-03 | BRACKET-HINGE | 108-2835-01 | SCARIFIER MOUNT ASM |
| 108-1607-03 | PLATE-HINGE | 108-2872 | COLLAR-FAN |
| 108-1625 | HYD MOW BLOCK MANIFOLD AS | 108-2924 | VALVE-STEERING |
| 108-1640 | GAUGE-FUEL | 108-2928-01 | BOX ASM |
| 108-1641 | DRIVESHAFT ASM | 108-2936 | CONSOLE |
| 108-1642 | FITTING-SUCTION | 108-2938 | TANK-FUEL |
| 108-1643 | FITTING-RETURN | 108-2947 | HYD MOTOR ASM (CCW) |
| 108-1665-03 | BRACKET-RESERVIOR | 108-2948 | HYD MOTOR ASM (CW) |
| 108-1666-03 | BRACKET-RESERVOIR | 108-2949 | HYD MOTOR ASM (CW) |
| 108-1671-01 | BRACKET-STEP | 108-3150 | SLEEVE ASM |
| 108-1672 | MANIFOLD-TUBE | 108-3151 | NUT-LOCK, BEARING |
| 108-1679 | HOSE-HYD | 108-3156 | BRACKET-ROD |
| 108-1683 | HOSE-FORMED | 108-3162 | SPACER |
| 108-1685 | HOSE-FORMED | 108-3168 | SPACER-HITCH |
| 108-1686 | HOSE-HYD | 108-3198-03 | HANGER ASM |

PARTS LIST

| Part Number | Description |
|-------------|---------------------------|
| 108-3263 | REPAIR KIT - SEAL |
| 108-3284 | HOSE-FUEL |
| 108-3808 | FILTER-AIR |
| 108-3809 | FILTER-AIR |
| 108-3810 | FILTER-AIR |
| 108-3811 | FILTER-AIR |
| 108-3812 | FILTER-AIR |
| 108-3813 | ELEMENT-SAFETY, AIR CLEAN |
| 108-3814 | FILTER-AIR |
| 108-3815 | FILTER-AIR |
| 108-3816 | FILTER-AIR |
| 108-3817 | FILTER-OIL |
| 108-3818 | FILTER-FUEL |
| 108-3828 | FILTER-FUEL |
| 108-3831 | FILTER-FUEL |
| 108-3833 | FILTER-AIR |
| 108-3835 | OIL-FILTER |
| 108-3837 | FILTER-OIL |
| 108-3841 | FILTER-OIL |
| 108-3842 | FILTER-OIL |
| 108-3847 | FILTER-OIL |
| 108-3854 | FILTER-FUEL |
| 108-4000 | BUSHING |
| 108-4004 | GEAR MOTOR ASM |
| 108-4022 | SHAFT-CARRIER, PIVOT |
| 108-4023 | SHAFT-CARRIER, PIVOT |
| 108-4032 | NO. 1 LIFT ARM ASM |
| 108-4033 | NO. 4 LIFT ARM ASM |
| 108-4034 | NO. 5 LIFT ARM ASM |
| 108-4172 | SEAL-EXCLUDER |
| 108-4176 | PLATE-BRUSH |
| 108-4190 | ROLLER BRUSH ASM |
| 108-4193 | BRUSH-ROLLER |
| 108-4197 | HOUSING-BEARING, DRIVE |
| 108-4200 | BEARING HOUSING ASM |
| 108-4201 | BEARING HOUSING ASM |
| 108-4205 | PLATE-BRUSH |
| 108-4206 | HOUSING-BEARING, DRIVEN |
| 108-4207 | HOUSING-BEARING, NON DRIV |
| 108-4213 | BRACKET-HOC, GROOMER (LH) |
| 108-4214 | BRACKET-HOC, GROOMER (RH) |
| 108-4234 | SHAFT-DRIVE |
| 108-4269-01 | WEIGHT |
| 108-4279 | SPACER-FRAME |
| 108-4284 | TUBE-SUPPORT |
| 108-4286 | BRACKET-ADJUSTMENT |
| 108-4289 | PIN-MOUNT, ROLLER |
| 108-4293 | ROLLER |
| 108-4302 | BEDKNIFE-TOURNAMENT, EXTE |
| 108-4303 | BEDKNIFE-MICROCUT, EXTEND |
| 108-4334 | ROLLER-AUXILIARY |
| 108-4339 | AUXILIARY ROLLER ASM |
| 108-4391 | BELT-HEX |
| 108-4393 | BELT-HEX |
| 108-4436 | CYLINDER-HYD, LIFT |
| 108-4475-03 | SCRAPER-ROLLER, FULL FRON |
| 108-4477 | SPACER |
| 108-4478 | PLATE-IDLER |
| 108-4480 | BRACKET-MOUNTING |
| 108-4491 | SPACER |

| Part Number | Description |
|-------------|---------------------------|
| 108-4495 | HOUSING-BEARING, DRIVEN |
| 108-4496 | HOUSING-BEARING, NON DRIV |
| 108-4497 | BELT-GROOMER |
| 108-4511-01 | TUBE ASM |
| 108-4527-03 | BAR-TOOL |
| 108-4957 | INSERT-LH |
| 108-4958 | INSERT-RH |
| 108-4959 | ROD-TURF |
| 108-4960 | SPRING-COMPRESSION |
| 108-4961 | TAB-STOP, SHIELD |
| 108-4975 | SHAFT ASM |
| 108-4977 | INSERT-LH |
| 108-4978 | INSERT-RH |
| 108-4991 | FAIRWAY BASKET ASM |
| 108-4994 | SPACER |
| 108-5194 | FILTER-OIL, HYD |
| 108-5402-03 | TORSION TUBE ASM |
| 108-5406-03 | PLATE-WEAR |
| 108-5412 | SPRING-EXTENSION |
| 108-5418-03 | LOCK LEVER ASM |
| 108-5421 | PLATE ASM |
| 108-5424 | SPRING-TORSION |
| 108-5431 | PIVOT-STEERING |
| 108-5432 | SPACER-BEARING |
| 108-5472 | TUBE ASM |
| 108-5477 | SHROUD-FAN |
| 108-5481 | HOSE-SUCTION |
| 108-5482 | BRACKET-FILTER, OIL |
| 108-5483 | HOSE-SUCTION, TANK |
| 108-5484 | HUB-FAN |
| 108-5490-03 | PLATE-PUMP |
| 108-5498-01 | PEDAL |
| 108-5675 | HYDRAULIC HOSE ASM |
| 108-6094 | LATCH |
| 108-6475 | KIT-BEARING HOUSING |
| 108-6496 | SWITCH (W/BOOT) |
| 108-6503-03 | CONSOLE ASM |
| 108-6505 | HOSE-HYD |
| 108-6506 | HOSE-HYD |
| 108-6507 | HOSE-HYD |
| 108-6508 | HOSE-HYD |
| 108-6509 | HOSE ASM |
| 108-6510 | HOSE ASM |
| 108-6511 | HOSE ASM |
| 108-6538 | HOUSING-BEARING, SERVICE |
| 108-6539 | MANIFOLD-EXHAUST |
| 108-6542 | PULL LINK ASM |
| 108-6543 | SHAFT-ROLLER |
| 108-6544 | SPACER |
| 108-6590-03 | BRACKET-SEAT, LOWER |
| 108-6709 | BELT-DRIVE |
| 108-6713 | BELT-V, RIBBED |
| 108-6715 | GAUGE BAR ASM |
| 108-6809 | HOLDER-TINE |
| 108-6837 | INSERT-SLEEVE, 3/4 INCH |
| 108-6846 | NEEDLE TINE HOLDER ASM |
| 108-6849-03 | CLAMP-TINE, NEEDLE |
| 108-6855 | SHROUD-WHEEL, RH |
| 108-6856 | SHROUD-WHEEL, LH |
| 108-6859-01 | SHROUD-CENTER |

| Part Number | Description | Part Number | Description |
|-------------|------------------------|-------------|----------------------------|
| 108-6878 | SEAT | 108-8416 | TUBE ASM |
| 108-6885 | PIN ASM | 108-8426 | HOSE ASM |
| 108-6895-01 | BRACKET-MOUNT, TANK | 108-8428 | HYD HOSE ASM |
| 108-6898 | SHROUD-DASH | 108-8431 | TUBE ASM |
| 108-6945 | PLUG-SPARK | 108-8432 | TUBE ASM |
| 108-6980 | DRUM-BRAKE, 8 INCH | 108-8433 | HYD HOSE ASM |
| 108-6981 | BRAKE SHOE KIT | 108-8440 | HOSE ASM |
| 108-6983 | BRAKE HARDWARE KIT | 108-8455-01 | BRACKET-CLAMP |
| 108-7007 | TIRE (22.5X10-8) | 108-8457 | COOLER-OIL |
| 108-7384-03 | CARRIER FRAME ASM | 108-8468 | PLUG-HH |
| 108-7387 | ROLLER ASM | 108-8470 | SLEEVE-STEERING |
| 108-7388 | SHAFT-ROLLER | 108-8471 | NUT-STEERING |
| 108-7389-03 | ROLLER TUBE ASM | 108-8481 | YOKE AND BUSHING ASM |
| 108-7395-03 | BLADE-COMBO, 22IN | 108-8482 | BUSHING-SLEEVE |
| 108-7577-03 | SEAT BASE | 108-8483 | SPACER-PLAIN |
| 108-7582-03 | PLATE-PIVOT | 108-8625 | ROLLER SHAFT REPLACEMENT |
| 108-7584-01 | PLATE-GUIDE, ROD | 108-8626 | FLANGE-TRIANGULAR |
| 108-7585 | GUIDE-HOSE | 108-8642 | GRASS BASKET ASM |
| 108-7587 | SADDLE-HOOD | 108-8657 | HARNES-WIRE, SEAT |
| 108-7591-03 | MOUNT-SEAT / CONTROL | 108-9026-03 | BLADE-COMBO |
| 108-7602 | REST-ARM | 108-9036 | HYD GEAR PUMP ASM |
| 108-7604 | COVER-LH | 108-9037 | MANIFOLD ASM |
| 108-7605 | COVER-RH | 108-9080 | LH SIDE PLATE ASM |
| 108-7623 | TUBE ASM | 108-9081 | RH SIDE PLATE ASM |
| 108-7624 | TUBE ASM | 108-9082 | PLATE-SIDE, LH |
| 108-7625 | TUBE ASM | 108-9083 | PLATE-SIDE, RH |
| 108-7629 | TUBE ASM | 108-9084 | SPRING-COMPRESSION |
| 108-7630 | TUBE ASM | 108-9090-01 | WEIGHT-END |
| 108-7632 | TUBE ASM | 108-9096 | BEDKNIFE-STD (FAIRWAY) |
| 108-7633 | TUBE ASM | 108-9104 | TINE-QUAD (AE3-450-2) |
| 108-7639-03 | PLATE | 108-9105 | TINE-QUAD (AE3-450-3) |
| 108-7641 | CAP-TANK, HYD | 108-9106 | TINE-QUAD (AE3-450-4) |
| 108-7643 | MUFFLER | 108-9108 | TINE-QUAD (AE3-500-2) |
| 108-7662 | SCREW-LUG | 108-9109 | TINE-QUAD (AE3-500-3) |
| 108-7903 | CLAMP-TANK | 108-9110 | TINE-QUAD (AE3-500-4) |
| 108-7906-01 | PANEL-FRONT | 108-9112 | TINE-QUAD, CARBIDE (CE3-4) |
| 108-7909-03 | PANEL-CONTROL | 108-9114 | TINE-QUAD, CARBIDE (CE3-4) |
| 108-7913 | CABLE-BRAKE, PARK | 108-9116 | TINE-QUAD, CARBIDE (CE3-4) |
| 108-7931-03 | BASE-SEAT | 108-9120 | TINE-QUAD, CARBIDE (CE3-5) |
| 108-7935-03 | SHROUD-SEAT | 108-9122 | TINE-QUAD, CARBIDE (CE3-5) |
| 108-7941 | PLATE-GUIDE, LEVER | 108-9124 | TINE-QUAD, CARBIDE (CE3-5) |
| 108-7942 | REAR LEVER ASM | 108-9128 | TINE-HOLLOW (AH6-475-3) |
| 108-7965 | CLAMP-TANK, HYD | 108-9129 | TINE-HOLLOW (AH6-475-4) |
| 108-7977-03 | HUB-WHEEL | 108-9130 | TINE-HOLLOW (AH6-475-5) |
| 108-7979-03 | BELLCRANK | 108-9132 | TINE-HOLLOW (AH6-575-3) |
| 108-7983 | BUSHING-CABLE | 108-9133 | TINE-HOLLOW (AH6-575-4) |
| 108-7986-03 | BAR-BRAKE | 108-9134 | TINE-HOLLOW (AH6-575-5) |
| 108-7987 | LINK-LATCH, PARKING | 108-9135 | TINE-HOLLOW, CARBIDE (CH6) |
| 108-7991-03 | LEVER-BRAKE | 108-9136 | TINE-HOLLOW (AH6-650-4) |
| 108-7994 | BUSHING-PIVOT, LEVER | 108-9137 | TINE-HOLLOW (AH6-650-5) |
| 108-7995-03 | PLATE-SUPPORT, CONSOLE | 108-9138 | TINE-HOLLOW (AH6-650-3) |
| 108-7996 | DIPSTICK ASM | 108-9139 | TINE-HOLLOW, CARBIDE (CH6) |
| 108-8076 | V-BELT, DECK | 108-9141 | TINE-HOLLOW, CARBIDE (CH6) |
| 108-8077 | V-BELT, DECK | 108-9143 | TINE-HOLLOW, CARBIDE (CH6) |
| 108-8401 | HOSE-AIR | 108-9145 | TINE-HOLLOW, CARBIDE (CH6) |
| 108-8406 | TUBE ASM | 108-9147 | TINE-HOLLOW, CARBIDE (CH6) |
| 108-8409 | TUBE ASM | 108-9149 | TINE-HOLLOW, CARBIDE (CH6) |
| 108-8411 | TUBE ASM | 108-9151 | TINE-HOLLOW, CARBIDE (CH6) |
| 108-8414 | TUBE ASM | 108-9153 | TINE-HOLLOW, CARBIDE (CH6) |
| 108-8415 | TUBE ASM | 108-9155 | TINE-HOLLOW, CARBIDE (CH7) |

PARTS LIST

| Part Number | Description |
|-------------|---------------------------|
| 108-9157 | TINE-HOLLOW, CARBIDE (CH7 |
| 108-9159 | TINE-SIDE EJECT (AE6-475- |
| 108-9160 | TINE-SIDE EJECT (AE6-475- |
| 108-9161 | TINE-SIDE EJECT (AE6-475- |
| 108-9162 | TINE-SIDE EJECT (AE6-650- |
| 108-9163 | TINE-SIDE EJECT (AE6-575- |
| 108-9164 | TINE-SIDE EJECT (AE6-575- |
| 108-9165 | TINE-SIDE EJECT (AE6-575- |
| 108-9166 | TINE-SIDE EJECT, CARBIDE |
| 108-9167 | TINE-SIDE EJECT (AE6-650- |
| 108-9168 | TINE-SIDE EJECT (AE6-650- |
| 108-9170 | TINE-SIDE EJECT, CARBIDE |
| 108-9172 | TINE-SIDE EJECT, CARBIDE |
| 108-9174 | TINE-SIDE EJECT, CARBIDE |
| 108-9176 | TINE-SIDE EJECT, CARBIDE |
| 108-9178 | TINE-SIDE EJECT, CARBIDE |
| 108-9180 | TINE-SIDE EJECT, CARBIDE |
| 108-9182 | TINE-SIDE EJECT, CARBIDE |
| 108-9184 | TINE-SIDE EJECT, CARBIDE |
| 108-9186 | TINE-SD EJECT, CARBIDE (C |
| 108-9188 | TINE-SD EJECT, CARBIDE (C |
| 108-9190 | TINE-HOLLOW (AH7-475-5) |
| 108-9191 | TINE-HOLLOW (AH7-475-6) |
| 108-9192 | TINE-HOLLOW, (AH7-575-5) |
| 108-9193 | TINE-HOLLOW, (AH7-575-6) |
| 108-9194 | TINE-SIDE EJECT (AE7-475- |
| 108-9195 | TINE-SIDE EJECT (AE7-475- |
| 108-9196 | TINE-SIDE EJECT (AE7-575- |
| 108-9197 | TINE-SIDE EJECT (AE7-575- |
| 108-9198 | TINE-SOLID (AS6-450-25) |
| 108-9199 | TINE-SOLID (AS6-450-3) |
| 108-9200 | TINE-SOLID (AS6-450-35) |
| 108-9201 | TINE-SOLID (AS6-450-4) |
| 108-9202 | TINE-SOLID (AS6-450-5) |
| 108-9203 | TINE-SOLID (AS6-450-6) |
| 108-9204 | TINE-SOLID (AS6-550-25) |
| 108-9205 | TINE-SOLID (AS6-550-3) |
| 108-9206 | TINE-SOLID (AS6-550-35) |
| 108-9207 | TINE-SOLID (AS6-550-4) |
| 108-9208 | TINE-SOLID (AS6-550-5) |
| 108-9209 | TINE-SOLID (AS6-550-6) |
| 108-9210 | TINE-SOLID (AS6-650-3) |
| 108-9211 | TINE-SOLID (AS6-650-35) |
| 108-9212 | TINE-SOLID (AS6-650-4) |
| 108-9213 | TINE-SOLID (AS6-650-5) |
| 108-9214 | TINE-SOLID (AS6-650-6) |
| 108-9215 | TINE-CROSS, 3/8 (AX3-450- |
| 108-9216 | TINE-CROSS, 1/2 (AX3-450- |
| 108-9217 | TINE-CROSS, 5/8 (AX3-450- |
| 108-9218 | TINE-CROSS, 3/8 (AX3-550- |
| 108-9219 | TINE-CROSS, 1/2 (AX3-550- |
| 108-9220 | TINE-CROSS, 5/8 (AX3-550- |
| 108-9221 | TINE-CROSS, 1/2 (AX6-450- |
| 108-9222 | TINE-CROSS, 5/8 (AX6-450- |
| 108-9223 | TINE-CROSS, 3/4 (AX6-450- |
| 108-9224 | TINE-CROSS, 1/2 (AX6-550- |
| 108-9225 | TINE-CROSS, 5/8 (AX6-550- |
| 108-9226 | TINE-CROSS, 3/4 (AX6-550- |
| 108-9227 | TINE-CROSS, 1/2 (AX6-650- |
| 108-9228 | TINE-CROSS, 5/8 (AX6-650- |

| Part Number | Description |
|-------------|---------------------------|
| 108-9229 | TINE-CROSS, 3/4 (AX6-650- |
| 108-9230 | TINE-SOLID (AS3-450-2) |
| 108-9231 | TINE-SOLID (AS3-450-25) |
| 108-9232 | TINE-SOLID (AS3-450-3) |
| 108-9233 | TINE-SOLID (AS3-450-35) |
| 108-9234 | TINE-SOLID (AS3-550-2) |
| 108-9235 | TINE-SOLID (AS3-550-25) |
| 108-9236 | TINE-SOLID (AS3-550-3) |
| 108-9237 | TINE-SOLID (AS3-550-35) |
| 108-9238 | TINE-SLICING, 5/8 (AB3-50 |
| 108-9239 | TINE-SLICING, 3/4 (AB6-45 |
| 108-9240 | TINE-SLICING, 3/4 (AB6-55 |
| 108-9241 | TINE-SLICING, 3/4 (AB6-65 |
| 108-9242 | TINE-SLICING, HD (550-75) |
| 108-9243 | TINE-SLICING, HD (650-75) |
| 108-9244 | TINE-SOLID, ROUND (550-75 |
| 108-9245 | TINE-SOLID, ROUND (650-75 |
| 108-9246 | TINE-SOLID, ROUND (550-75 |
| 108-9247 | TINE-SOLID, ROUND (550-88 |
| 108-9248 | TINE-SOLID, ROUND (650-75 |
| 108-9249 | TINE-SOLID, ROUND (650-88 |
| 108-9259 | TINE-CROSS (550-88) |
| 108-9260 | TINE-HD 3/4 MT (575-5) |
| 108-9261 | TINE-HD 3/4 MT (575-6) |
| 108-9264 | TINE-HD 7/8 MT (575-6) |
| 108-9265 | TINE-HD 7/8 MT (575-7) |
| 108-9290 | TINE-QUAD (AE3-550-4) |
| 108-9293 | TINE-QUAD (AE3-450-5) |
| 108-9294 | TINE-QUAD (AE3-500-5) |
| 108-9296 | TINE-SPOON, OPEN 600 |
| 108-9297 | TINE-SPOON, CLOSED 600 |
| 108-9298 | TINE-SPOON, OPEN 800 |
| 108-9299 | TINE-SPOON, CLOSED 800 |
| 108-9955 | TIRE |
| 109-0275 | HOSE-FUEL |
| 109-0294 | HOSE-FUEL |
| 109-0302 | HOSE-FUEL |
| 109-0304 | HOSE-FUEL |
| 109-0660 | HOSE-FUEL |
| 109966 | BEARING-BALL |
| 110-0009 | JOINT ARM ASM |
| 110-0259-03 | TINE-SCARIFIER |
| 110-0260-03 | TINE-WEEDER |
| 110-0485 | COOLER-OIL |
| 110-0621-03 | BLADE-MEDIUM FLOW |
| 110-0622-03 | BLADE-ROTARY, HIGH FLOW |
| 110-0624-03 | BLADE-ROTARY, ATOMIC |
| 11-0070 | SCRAPER COMB ASM |
| 110-0901 | HYD MOTOR ASM |
| 110-0906-01 | SUPPORT-FILTER, OIL |
| 110-0907-01 | BRACKET-BATTERY |
| 110-0913 | CONTROL-THROTTLE |
| 110-0914 | ROD-PAWL, BRAKE |
| 110-0915 | TUBE ASM |
| 110-0916 | TUBE ASM |
| 110-0917-01 | BRACKET-BULKHEAD, LH |
| 110-0918-01 | BRACKET-BULKHEAD, RH |
| 110-0919 | BRACKET-SWITCH |
| 110-0922 | HOOP-CHAIN |
| 110-0928 | HOSE-HYD |

| Part Number | Description | Part Number | Description |
|-------------|---------------------------|-------------|---------------------------|
| 110-0929 | HOSE-HYD | 110-2598 | MOTOR-STARTER |
| 110-0930 | HOSE-HYD | 110-2730 | TIP-CHOPPER ASM |
| 110-0931 | HOSE-HYD | 110-2772 | BELT-B SECTION/SET OF 3 |
| 110-0938-01 | PLATE-BRIDGE | 110-2908 | BRUSH-SWEEPER |
| 110-0952-03 | SCREEN ASM | 110-3257 | HOSE-FUEL |
| 110-0966 | FAN-COOLING | 110-3259 | HOSE-FUEL |
| 110-0972 | PULLEY | 110-3285 | SPINDLE SHAFT ASM |
| 110-0973 | HOSE-HYD | 110-3314 | CABLE-POSITIVE, BATTERY |
| 110-0984 | DECAL-CONSOLE | 110-3315 | CABLE-POSITIVE, STARTER |
| 110-0986 | DECAL-PLATE, COVER | 110-3322-01 | BRACKET-RELAY |
| 110-0988 | TREAD-FLOOR, SIDE | 110-3362 | BAR-PIVOT |
| 110-0991 | NO. 1 LIFT ARM ASM | 110-3364 | TIRE(22X11-8) 2 PLY SMOOT |
| 110-0992 | NO. 2 LIFT ARM ASM | 110-3365 | PLUG-EXPANSION |
| 110-0993 | NO. 3 LIFT ARM ASM | 110-3371 | HOSE-FUEL |
| 110-0994 | NO. 4 LIFT ARM ASM | 110-3380 | NUT-STANDOFF |
| 110-0998 | DECAL-PANEL, CONTROL | 110-3467-01 | LH RAIL ASM |
| 110-1322 | HYD HOSE ASM | 110-3468-01 | RH RAIL ASM |
| 110-1323 | TUBE ASM | 110-3469 | PLUG-HEAD, BALL |
| 110-1325 | HOSE-RETURN | 110-3575 | DRIVESHAFT ASM |
| 110-1330 | TUBE ASM | 110-3796 | BELT-V |
| 110-1332 | BRACKET-CLAMP | 110-3800 | STARTER ASM |
| 110-1333 | BRACKET-CLAMP | 110-3951 | SPRING-TORSION, RH |
| 110-1350-03 | DRAG FRAME ASM | 110-3952 | SPRING-TORSION, LH |
| 110-1368-01 | PLATE-ROLLER | 110-3953 | SPRING-TORSION, CENTER |
| 110-1372 | FITTING-VENT, TANK | 110-3955 | CENTER LIFT ARM ASM |
| 110-1395-03 | TOOL BAR ASM | 110-3986 | SCREW |
| 11-0160 | ROLLER SHAFT SCREW ASM | 110-4001 | MUFFLER |
| 110-1700 | SPRING-EXTENSION | 110-4015 | HYD MOTOR ASM (CCW) |
| 110-1701 | BEARING | 110-4016 | HYD MOTOR ASM (CW) |
| 110-1706 | DEFLECTOR | 110-4053 | SHAFT-ROLLER |
| 110-1716 | BELT-GROOMER | 110-4058 | BRACKET-CHAIN |
| 110-1718 | SCREW-HHF | 110-4060 | SHAFT-ROLLER, SHORT |
| 110-1731-03 | SCRAPER-WIEHLE, COMB | 110-4069 | BRACKET |
| 110-1734 | DECAL-BELT TENSION | 110-4074 | BEDKNIFE-HD (FAIRWAY) |
| 110-1735 | COMB/SCRAPER KIT-RM5010/R | 110-4079 | SPRING-COMPRESSION |
| 110-1740 | BRUSH-ROLLER, HIGH HOC | 110-4084 | BEDKNIFE-LOW HOC (FAIRWAY |
| 110-1741 | PULLEY-DRIVER | 110-4086 | GROOMER/RRB BEARING AND S |
| 110-1742 | PULLEY-DRIVER | 110-4100 | HOSE-FUEL |
| 110-1743 | PULLEY-KEYED DRIVEN | 110-4104 | HOSE-FUEL |
| 110-1745 | IDLER BEARING ASM | 110-4109 | HOSE-FUEL |
| 110-1746 | BELT-BRUSH | 110-4110 | HOSE-LP |
| 110-1747 | BELT-BRUSH | 110-4113 | HOSE-FUEL |
| 110-2220 | ROLLER-FULL, 2 INCH DIAME | 110-4146 | FILTER-HYD |
| 110-2221 | ROLLER-WIEHLE, NARROW | 110-4252-03 | ROLLER ASM |
| 110-2227 | ROLLER-WIEHLE, WIDE | 110-4327 | BELT-BANDED, 4 GROOVE |
| 110-2300 | BEDKNIFE-MICROCUT, EXTEND | 110-4444 | ROLLER ASM |
| 110-2301 | BEDKNIFE-LOW CUT | 110-4555 | BEARING-BALL, 2 ROW |
| 110-2333 | BLADE-GROOMER, HELIX | 110-4556 | BEARING-BALL |
| 110-2338 | GROOMER SHAFT ASM | 110-4635 | CROSS AND BEARING KIT |
| 110-2380 | BASKET WITH FRAME ASM | 110-4641 | CROSS AND BEARING KIT |
| 110-2381 | SPACER | 110-4692-03 | HOLDER-7/8 INCH |
| 110-2382 | SHAFT-DRIVE, REEL | 110-4701 | BLADE-ROTARY, STANDARD (2 |
| 110-2389 | SHAFT-HEX | 110-4702-03 | BLADE-ROTARY, HIGH FLOW (|
| 110-2391 | WASHER | 110-4703-03 | BLADE-ROTARY, ATOMIC (20. |
| 110-2393 | BLADE-GROOMER,CARBIDE | 110-4767 | GM 3280 CASTOR WHEEL ASM |
| 110-2536 | BALL JOINT-LH | 110-4768 | GM3280 62" RDD/GUARDIAN B |
| 110-2537 | BALL JOINT-RH | 110-4769 | GM3280 72" RDD/GUARDIAN B |
| 110-2538 | BEARING-RELEASE, CLUTCH | 110-4770 | GM3280 60" SDD BLADE & BE |
| 110-2548 | CABLE-CLUTCH | 110-4771 | GM3280 72" SDD BLADE & BE |
| 110-2549 | CABLE-ACCELERATOR, LIQUID | 110-4812 | AXLE VENT ASM |

PARTS LIST

| Part Number | Description |
|-------------|---------------------------|
| 110-5132 | TIRE |
| 110-5133 | TIRE |
| 110-5227 | HUB-PUMP |
| 110-5236 | HUB-ENGINE |
| 110-5251-03 | FRAME-RADIATOR |
| 110-5253-01 | ADAPTER-HOOD, LH |
| 110-5254-01 | ADAPTER-HOOD, RH |
| 110-5255 | BUMPER-BASE, SEAT |
| 110-5256-01 | BRACKET-LATCH, HOOD |
| 110-5259-03 | BRACKET-HOOD, GUIDE |
| 110-5269-03 | SCREEN |
| 110-5275 | SEAL-FOAM |
| 110-5276 | SEAL-FOAM |
| 110-5286 | TUBE ASM |
| 110-5287 | TUBE ASM |
| 110-5288 | TUBE ASM |
| 110-5295-03 | LINK-DRAG, RH |
| 110-5297-03 | LINK-DRAG, LH |
| 110-5299-03 | SPINDLE |
| 110-5310-01 | BRACKET-MOUNTING |
| 110-5311 | SHROUD-FAN |
| 110-5313-03 | BRACKET-RETAINER |
| 110-5314 | LATCH |
| 110-5323-03 | BRACKET |
| 110-5324 | SEAL-FOAM |
| 110-5331 | SPRING-COMPRESSION |
| 110-5334-03 | TIE ROD ASM |
| 110-5335 | ROD-TIE |
| 110-5337 | NUT-JAM |
| 110-5339 | SPACER |
| 110-5340 | LATCH |
| 110-5343-03 | BRACKET-BRAKE |
| 110-5345 | WASHER |
| 110-5688 | HOSE-FUEL |
| 110-5946-03 | BLADE-ROTARY |
| 110-5948-03 | BLADE-ROTARY, ATOMIC |
| 110-5999-01 | CASTOR FORK ASM |
| 110-6115-03 | BLADE-FLAT SAIL, 21.75 IN |
| 110-6116-03 | BLADE-FLAT SAIL, 19.00 IN |
| 110-6129 | IDLER ARM ASM |
| 110-6130 | FLAT BLADE SERVICE PACK (|
| 110-6140 | FLAT BLADE SERVICE PACK (|
| 110-6166 | FILTER-OIL |
| 110-6186 | HOSE-FUEL |
| 110-6187 | HOSE-FUEL |
| 110-6303 | HYD HOSE ASM |
| 110-6310 | FRONT WHEEL HUB ASM |
| 110-6311 | STUD |
| 110-6312-03 | WEIGHT |
| 110-6314 | SPINDLE |
| 110-6348-03 | SHIELD-EXHAUST |
| 110-6460 | SEAL KIT |
| 110-6461 | SEAL KIT |
| 110-7350 | HOC KIT |
| 110-7351 | ARM-HOC |
| 110-7352 | SCREW-HOC |
| 110-7370 | GRASS SHIELD ASM |
| 110-7500 | HANGER-FLAIL, PIVOT |
| 110-8105 | LINK ASM |
| 110-8151 | HOSE-FUEL, FORMED |

| Part Number | Description |
|-------------|---------------------------|
| 110-8181 | HOSE-FUEL |
| 110-8195 | WASHER-STEERING |
| 110-8297 | BEARING ASM |
| 110-8537 | SPINDLE ASM |
| 110-8751 | HOSE-FUEL |
| 110-8785 | HYD MOTOR ASM (CCW) |
| 110-8786 | HYD MOTOR ASM (CW) |
| 110-8787 | FRONT CARRIER FRAME ASM |
| 110-8795 | CABLE-THROTTLE |
| 110-8806 | PUMP-FUEL |
| 110-8813 | CABLE-BATTERY, NEGATIVE |
| 110-8814 | FUEL FILTER ASM |
| 110-8851 | MECHANICAL SUSPENSION ASM |
| 110-8852 | FAN-COOLING |
| 110-8856 | SPACER |
| 110-8871 | RH BRAKE ASM |
| 110-8872 | LH BRAKE ASM |
| 110-8874-03 | CATCH |
| 110-8876-01 | BRACE-COLUMN |
| 110-8878 | SHIELD-WHEEL, REAR (RH) |
| 110-8882 | VALVE-RELIEF, CROSS OVER |
| 110-8884 | RH ACTUATOR KIT |
| 110-8885 | DUST BOOT KIT |
| 110-8896 | SEAL KIT |
| 110-8910 | LH ACTUATOR KIT |
| 110-8915 | HYD TUBE ASM |
| 110-8917 | AIR CLEANER ASM |
| 110-8921 | DECAL-SPEED, MOW |
| 110-8924 | DECAL-DANGER |
| 110-8925 | HINGE ASM |
| 110-8928 | PIN ASM |
| 110-8942 | HOSE-FORMED |
| 110-8943 | HOSE-FORMED |
| 110-8944 | HOSE-FORMED |
| 110-8946 | CLAMP-FRAME, RADIATOR |
| 110-8951-03 | BUMPER |
| 110-8955 | HOSE |
| 110-8964 | HYD MOTOR ASM |
| 110-8965 | HYD MOTOR ASM |
| 110-8966 | HOSE-HYD |
| 110-8971 | LATCH |
| 110-8972 | HOOK-LATCH |
| 110-8976 | PLATE-SUPPORT, ISOLATOR |
| 110-8977-03 | STAND-AIR CLEANER |
| 110-8981-03 | BRACKET-MOUNTING |
| 110-8982 | WASHER-SPRING |
| 110-9007-03 | SUPPORT-CABLE, THROTTLE |
| 110-9011 | HOSE-FUEL |
| 110-9015 | ELEMENT-SPIN ON |
| 110-9021 | HOSE-FORMED |
| 110-9029 | BIO-DIESEL KIT |
| 110-9035 | HYD CYLINDER ASM |
| 110-9036 | CABLE-BRAKE, RH |
| 110-9037 | CABLE-BRAKE, LH |
| 110-9041 | STEP-ALUMINUM |
| 110-9044 | SEPARATOR-FILTER |
| 110-9046 | HUB ASM |
| 110-9049 | FILTER-SPIN ON |
| 110-9590 | BELT-V |
| 110-9591 | BELT-V |

| Part Number | Description | Part Number | Description |
|-------------|----------------------------|-------------|---------------------------|
| 110-9592 | BELT-V | 112-1348 | TINE-SOLID |
| 110-9593 | BELT - V | 112-1350 | STARTER ASM |
| 110-9594 | BELT-V | 112-1351 | STARTER ASM |
| 110-9595 | BELT-V | 112-1352 | STARTER |
| 110-9600 | DPA HIGH HOC KIT | 112-1353 | STARTER ASM |
| 110-9602-03 | 3" FULL FRONT ROLLER SCRA | 112-1356 | STARTER ASM |
| 110-9605 | FULL FRONT ROLLER ASM | 112-1358 | ALTERNATOR |
| 110-9609-03 | SHOULDER ROLLER SCRAPER A | 112-1359 | ALTERNATOR |
| 110-9611 | ROLLER-SHOULDER, PLASTIC | 112-1360 | ALTERNATOR |
| 110-9612-03 | FULL ROLLER TUBE ASM (3IN) | 112-1364 | ALTERNATOR |
| 110-9628 | LH SIDE PLATE ASM | 112-1366 | STARTER |
| 110-9629 | RH SIDE PLATE ASM | 112-1400 | PIVOT ASM |
| 110-9630 | LH SIDE PLATE ASM | 112-1403 | ADAPTER ASM |
| 110-9631 | RH SIDE PLATE ASM | 112-1405 | ADAPTER ASM |
| 110-9642 | DECAL-WARNING | 112-1432 | ADAPTER ASM |
| 110-9683 | SHAFT-REAR ROLLER | 112-1480-01 | PLATE-BAHIA, RIGHT |
| 110-9695 | HUB-PUMP | 112-1482-01 | PLATE-BAHIA, LEFT |
| 110-9713 | CARRIER FRAME ASM | 112-1704 | PLASTIC WIEHLE ROLLER ASM |
| 111-1276 | BEARING | 112-1705 | ROLLER-WIEHLE, PLASTIC |
| 111-1381 | CUTTING DISC | 112-1707 | SHAFT-ROLLER, WIEHLE |
| 111-1492 | ROLLER BEARING | 112-1708 | SHORT REAR ROLLER ASM |
| 111-1717 | ROLLER SHAFT WA **H56** | 112-1711 | SHAFT-REAR ROLLER, SHORT |
| 111-5755 | TIRE | 112-1718-01 | BEDBAR |
| 111-5758 | BEARING | 112-1728 | LONG REAR ROLLER ASM |
| 112-0009 | LEVER-PUMP KIT | 112-1731 | SHAFT-REAR ROLLER, LONG |
| 112-0153 | SCREW | 112-1732 | FULL ROLLER ASM |
| 112-0156 | ARM-CONTROL | 112-1733 | PLASTIC SHOULDER ROLLER A |
| 112-0175 | PAINT-BLACK PEN | 112-1734 | ROLLER-SHOULDER, PLASTIC |
| 112-0176 | PAINT-BLACK BOTTLE | 112-1735-01 | SHIELD-REAR |
| 112-0177 | PAINT-RED PEN | 112-1738 | FRONT GRASS SHIELD ASM |
| 112-0178 | PAINT-RED BOTTLE | 112-1853 | BELT-V |
| 112-0205 | HYD HOSE ASM | 112-2511 | BELT |
| 112-0217-01 | FRAME | 112-2911 | BELT-STARTER |
| 112-0220 | GRILLE-MUFFLER | 112-2912 | BELT-DRIVE |
| 112-0237 | MOTOR-WHEEL, HYD (LH) | 112-2923 | SEAT ASM |
| 112-0238 | MOTOR-WHEEL, HYD (RH) | 112-3131 | BELT-STARTER |
| 112-0273 | HYD HOSE ASM | 112-3163 | TIRE |
| 112-0278 | SWITCH-REED | 112-4254 | BELT-TIMED |
| 112-0285-01 | FORK-CASTOR | 112-5102 | TINE-SLICING |
| 112-0289 | MANIFOLD ASM (WITH BACKLA | 112-5103 | TINE-SLICING |
| 112-0291 | SHIELD-MUFFLER | 112-5105 | TINE-CROSS |
| 112-0297 | STEERING CYLINDER ASM | 112-5106 | TINE-CROSS |
| 112-0298 | HYD STEERING CYLINDER ASM | 112-5107 | TINE-CROSS |
| 112-1300 | SLEEVE-TINE, 1/2" | 112-5121 | TINE-FAIRWAY, SPLIT (GF7- |
| 112-1301 | SLEEVE-TINE, 5/8" | 112-5122 | TINE-FAIRWAY, SPLIT (GF6- |
| 112-1303 | TINE-SIDE EJECT | 112-5123 | TINE-FAIRWAY, SPLIT (GF7- |
| 112-1304 | TINE-SE, CARBIDE | 112-5262 | SHAFT-ROLLER |
| 112-1306 | TINE-HOLLOW | 112-5265 | ROLLER ASM |
| 112-1307 | TINE-HOLLOW, CARBIDE | 112-5268 | MOUNT-ROLLER |
| 112-1310 | TINE-CROSS, CARBIDE | 112-5290 | BEARING-STEEL, STAINLESS |
| 112-1311 | TINE-CROSS, CARBIDE | 112-5291 | KIT-GREASABLE ROLLER ASM |
| 112-1312 | TINE-CROSS, CARBIDE | 112-5757 | MOUNT-ENGINE, RUBBER |
| 112-1313 | TINE-CROSS, CARBIDE | 112-6461 | HOSE-ADAPTER, CARBORETOR |
| 112-1314 | TINE-CROSS, CARBIDE | 112-6468-03 | BRACKET |
| 112-1316 | TINE-QUAD (AE4-450-3) | 112-6950 | SCREW-CARR |
| 112-1322 | TINE-QUAD, CARBIDE (CE4-4 | 112-6951 | BRUSH COVER ASM |
| 112-1329 | TINE-SOLID (AS4-550-25) | 112-6952 | BRUSH COVER ASM |
| 112-1330 | TINE-SOLID (AS4-550-35) | 112-6957 | WASHER-HARDENED |
| 112-1332 | TINE-QUAD (AE5-450-3) | 112-6967 | O-RING |
| 112-1347 | TINE-SOLID | 112-6968 | O-RING |

PARTS LIST

| Part Number | Description |
|-------------|---------------------------|
| 112-7022 | STARTER ASM |
| 112-7023 | STARTER ASM |
| 112-7024 | ALTERNATOR ASM |
| 112-7153 | PIN |
| 112-7156-03 | RH LIFT ARM ASM |
| 112-7157-03 | LH LIFT ARM ASM |
| 112-7161 | SCREW-HH |
| 112-7376 | BELT-V, B |
| 112-7377 | BELT-V, B |
| 112-7451 | SCREW-TAP |
| 112-7475 | BEDKNIFE-EDGEMAX (21 INCH |
| 112-7494 | SEAL |
| 112-7673 | AXLE SHAFT ASM |
| 112-7688 | CONTROL-THROTTLE |
| 112-7689 | CONTROL-CHOKE |
| 112-7836 | FILTER-INLINE |
| 112-8400 | FUEL PUMP KIT |
| 112-8409 | FILTER-OIL |
| 112-8908-01 | BEDBAR |
| 112-8910 | BEDKNIFE-EDGEMAX |
| 112-8915 | REAR ROLLER ASM |
| 112-8916-03 | TUBE-ROLLER, LONG |
| 112-8918 | SHAFT-LONG, REAR ROLLER |
| 112-8935 | FRAME-CENTER |
| 112-8942 | FRONT GRASS SHIELD ASM |
| 112-8944-01 | SHIELD-GRASS, REAR |
| 112-8954-01 | BEDBAR |
| 112-8961 | REAR ROLLER ASM |
| 112-8962-03 | TUBE-LONG |
| 112-8978 | FRAME-CENTER |
| 112-9130 | BIO-DIESEL KIT, GM580D |
| 112-9140 | BIO-DIESEL FILTER KIT |
| 112-9170 | SEAL KIT |
| 112-9174-01 | FORK-CASTER |
| 112-9181 | PLATE-BOOT |
| 112-9182 | KIT-FUEL FILTER |
| 112-9184 | SEAL KIT |
| 112-9185 | HOSE ASM |
| 112-9188 | ELEMENT-FILTER, FUEL/WATE |
| 112-9193 | HOSE-HYD |
| 112-9197 | MANIFOLD ASM W/BACKLAP |
| 112-9275 | KNIFE-BED, MICRO-CUT (GRE |
| 112-9279-03 | BEDBAR-AGGRESSIVE |
| 112-9458 | GROOMER SHAFT AND PULLEY |
| 112-9462-03 | BASKET FRAME ASM |
| 112-9469-01 | AXLE ASM |
| 112-9471 | GRASS SHIELD ASM |
| 112-9586-03 | BLADE-FLAT |
| 112-9916 | HYD CYLINDER ASM |
| 112-9918 | THROTTLE CABLE KIT |
| 112-9919 | STOP-CABLE, THROTTLE |
| 114-0381-03 | ARM NO. 1 ASM |
| 114-0382-03 | ARM NO. 2 ASM |
| 114-0383-03 | ARM NO. 3 ASM |
| 114-0384-03 | ARM NO. 4 ASM |
| 114-0385-03 | ARM NO. 5 ASM |
| 114-0403 | HYD STEERING CYLINDER ASM |
| 114-0430 | TUBE-SEG, ROLLER |
| 114-0434-03 | BLADE-HIGH LIFT, 22IN |
| 114-0435-03 | BLADE-ATOMIC, 22IN |

| Part Number | Description |
|-------------|---------------------------|
| 114-0440-03 | SUPPORT-DECK |
| 114-0550 | TINE-HOLLOW |
| 114-0551 | TINE-HOLLOW |
| 114-0553 | TINE-HOLLOW, CARBIDE |
| 114-0555 | TINE-SD EJECT |
| 114-0557 | TINE-SD EJECT, CARBIDE |
| 114-0558 | TINE-SD EJECT |
| 114-0560 | TINE-SD EJECT, CARBIDE |
| 114-0561 | TINE-HOLLOW, CARBIDE |
| 114-0583 | SLEEVE, .500 DIA |
| 114-0590-01 | SLEEVE TOOL ASM |
| 114-0620 | HYDRAULIC CYLINDER ASM |
| 114-0626 | HYD CYLINDER ASM |
| 114-0631 | CLEVIS-LATCH, PARKING |
| 114-0633 | HOSE-HYD |
| 114-0641-03 | PIVOT ASM |
| 114-0897 | BLADE KIT-ATOMIC,GM59XX |
| 114-2726 | LEVER-BRAKE |
| 114-3315 | SOLENOID |
| 114-3319 | HARNES-WIRE, MAIN |
| 114-3494 | ELEMENT-FILTER, 25 MICRON |
| 114-3717 | SEAL-OIL |
| 114-3825 | FAN |
| 114-3831 | HOSE-RADIATOR, UPPER |
| 114-3832 | HOSE-RADIATOR, LOWER |
| 114-3837 | HOSE ASM |
| 114-3848 | COUPLER-SPRING, FLYWHEEL |
| 114-3849 | MUFFLER-TURBO |
| 114-3972 | CHAIN |
| 114-4057 | ELEMENT-SAFETY, 5 INCH |
| 114-4319 | PIVOT PIN, ASM |
| 114-4634 | KIT-ADJUSTER, SERVICE |
| 114-4643 | WHEEL |
| 114-4650 | DRIVE PLATE ASM, LH |
| 114-4665 | TIRE ASM |
| 114-4672 | STEERING VALVE ASM |
| 114-4680 | TANK ASM |
| 114-4683 | PIN-HINGE |
| 114-4685 | PIN-HINGE |
| 114-4693-03 | MOUNT-STEERING |
| 114-4861 | TIRE |
| 114-5062 | CAP-BIODIESEL |
| 114-5400 | PLASTIC WIEHLE ROLLER ASM |
| 114-5401 | ROLLER-WIEHLE, PLASTIC |
| 114-5403 | SHAFT-ROLLER, FRONT |
| 114-5404 | ROLLER ASM (LONG) |
| 114-5406 | 2.5 INCH DIA ROLLER ASM (|
| 114-5407 | SHAFT-LONG, REAR ROLLER |
| 114-5410 | SHAFT-SHORT, REAR ROLLER |
| 114-5411 | NUT-LOCK, BEARING |
| 114-5412 | 3 INCH DIA FULL FRONT ROL |
| 114-5415 | 3 INCH DIA ROLLER ASM (LO |
| 114-5417 | 3 INCH DIA ROLLER ASM (SH |
| 114-5418-03 | 3 IN DIA ROLLER TUBE ASM |
| 114-5419 | FULL FRONT ROLLER ASM |
| 114-5421 | PLASTIC SHOULDER ROLLER A |
| 114-5422 | ROLLER-SHOULDER, PLASTIC |
| 114-5430 | ROLLER REBUILD KIT |
| 114-5596 | BUSHING-STRAIGHT |
| 114-5640-03 | JOINT YOKE ASM |

| Part Number | Description | Part Number | Description |
|-------------|----------------------------|-------------|---------------------------|
| 114-5680 | BUSHING-FLANGE | 115-3366 | ROLLER |
| 114-7606 | CHOPPER-AXLE ASM | 115-3434 | SPINDLE |
| 114-7614 | BLADE-BENT | 115-3435 | SPINDLE ASM |
| 114-7715 | AXLE-BRUSH | 115-3453 | CARRIER FRAME ASM |
| 114-7728 | SCREW-THREADLOCK | 115-3461 | LH LIFTARM ASM |
| 114-7741 | TIRE | 115-3462 | RH LIFTARM ASM |
| 114-7742 | RIM | 115-3465 | LH SHORT LIFTARM ASM |
| 114-8119 | STEERING VALVE ASM | 115-3466 | RH SHORT LIFTARM ASM |
| 114-8385 | FAN-ELECTRIC | 115-3473 | REAR LIFTARM ASM |
| 114-8859 | HYD WHEEL MOTOR ASM | 115-3475 | REAR LIFTARM ASM |
| 114-8860 | HYD WHEEL MOTOR ASM | 115-3488 | SPRING-TORSION |
| 114-8868 | HYD HOSE ASM | 115-3771 | HOSE ASM |
| 114-8874 | NO. 4 LIFT ARM ASM | 115-4263 | PLATE-SIDE, RH |
| 114-8876 | HUB ASM | 115-4295 | BELT-GROOMER |
| 114-8897 | MUFFLER | 115-4510 | BIMINI FOLDING SHADE ASM |
| 114-9383 | FULL FRONT ROLLER ASM (3I) | 115-4523 | COUPLING-RUBBER |
| 114-9384 | FULL FRONT ROLLER ASM (3I) | 115-5219 | PULLEY-DRIVEN, SPLINED |
| 114-9388 | BEDKNIFE-STD | 115-5258 | SPRING-WIRE, FLAT |
| 114-9389 | BEDKNIFE-STD | 115-5296 | NEEDLE VALVE ASM |
| 114-9390 | BEDKNIFE-HD | 115-5300 | PROXIMITY SWITCH ASM |
| 114-9391 | BEDKNIFE-HD | 115-5304 | CAP-FUEL |
| 114-9396 | CAPSCREW-HH | 115-5305 | CAP-FUEL |
| 115-0120-03 | PEDAL-BRAKE | 115-5357-03 | BRACKET-JOYSTICK |
| 115-0123 | V-BELT | 115-5469 | BUSHING-FLANGE |
| 115-0129 | ROD-PAWL, BRAKE | 115-5471 | ELEMENT-SEPARATOR, FUEL/W |
| 11-5049 | LH GEAR CASE ASM | 115-5618 | PIVOT-HUB |
| 11-5059 | RH GEAR CASE ASM | 115-5642-03 | BLADE ASM |
| 11-5069 | MAIN TUBE ASM | 115-5647 | HYD LIFT CYLINDER ASM |
| 11-5079 | LH ROLLER BRACKET ASM | 115-5649 | HITCH REPLACEMENT KIT |
| 115-0811 | 27-INCH ROLLER BRUSH ASM | 115-6699 | BRAKE ROD ASM |
| 115-0813 | BRUSH-ROLLER | 115-6743 | BELT-DRIVE, MAIN |
| 115-0828 | BELT-BRUSH, 7-INCH | 115-6744 | BELT-DRIVE, DRUM |
| 115-0833 | BELT-BRUSH, 7 INCH | 115-6784 | NUT-BEARING |
| 115-0838 | BRUSH-ROLLER (HIGH HOC) | 115-6882 | SHAFT-HEX, REEL |
| 115-0839 | SPRING-IDLER | 115-6923 | SHIELD-BEARING, FLOCKED |
| 11-5089 | RH ROLLER BRACKET ASM | 115-7039 | SCREW-ADJUSTER, BEDBAR |
| 115-0894 | BELT-BRUSH, 5 INCH (5-RIB) | 115-7041 | ARM-HOC |
| 115-1554 | LATCH-DRAW | 115-7140 | GASKET-HOUSING, MAIN |
| 115-1572 | TIRE | 115-7143 | SPRING-WAVE |
| 115-1770 | 21 INCH GROOMER SHAFT ASM | 115-7171 | CABLE-BRAKE |
| 115-1880 | BEDKNIFE-EDGEMAX, MICROCU | 115-7172 | CABLE-CLUTCH, REEL |
| 115-1881 | BEDKNIFE-EDGEMAX, TOURNAM | 115-7193 | NUT-HOC |
| 115-2007 | ROD-SPRING | 115-7263 | SCREW-LOCK, BEARING |
| 115-2165 | BALL JOINT | 115-7354 | WHEEL ASM |
| 115-2283 | CABLE-BRAKE, PARK | 115-7356 | REAR FULL ROLLER (ALUMINU |
| 115-2284 | CABLE-CLUTCH | 115-7360 | NARROW WIEHLE ROLLER ASM |
| 115-2285 | CABLE-ACCELERATOR | 115-7361 | AUXILIARY ROLLER KIT |
| 115-2292 | TIMER-GLOW PLUG | 115-7365 | BLADE-SCRAPER, WIDE (21 I |
| 115-2661 | BRAKE DRUM ASM | 115-7366 | BLADE-SCRAPER, FULL (21 I |
| 115-2802 | GUARD-TURF, 6 TINE (LH) | 115-7380 | NARROW WIEHLE ROLLER SCRA |
| 115-2951 | BELT-A SECTION | 115-7386 | WIDE WIEHLE ROLLER ASM (D |
| 115-3259 | KIT-SERVICE, PIN | 115-7388 | SMOOTH ROLLER ASM (DIA 2. |
| 115-3260 | KIT-SERVICE, PIN | 115-7753 | HOSE-COOLANT, UPPER |
| 115-3272 | KIT-SERVICE, CYLINDER | 115-7771 | SHAFT, SPLINED |
| 115-3273 | KIT-SERVICE, CYLINDER | 115-7811 | CABLE-SELECTOR, GEAR |
| 115-3282 | WASHER-SPECIAL | 115-7812 | CABLE-HI LOW |
| 115-3290 | RH SUPPORT PLATE ASM | 115-7818 | FUEL FILTER ASM |
| 115-3296 | BEARING-SEALED | 115-7854 | FILTER-FUEL, INLINE |
| 115-3299 | SEAL-FLOCKED | 115-8059 | YOKE-CABLE |
| 115-3303-03 | BAR-CUTOFF | 115-8060 | CLEVIS-DOUBLE |

PARTS LIST

| Part Number | Description |
|-------------|---------------------------|
| 115-8066-03 | MOUNT-ENGINE |
| 115-8189 | FILTER-OIL, ENGINE |
| 115-8250 | GEAR MOTOR ASM |
| 115-8292-03 | TUBE-ROLLER (LONG) |
| 115-8293-03 | TUBE-ROLLER, 2.5 INCH DIA |
| 115-8294-03 | TUBE-ROLLER (LONG) |
| 115-8295-03 | ROLLER TUBE ASM (FULL) |
| 115-8296-03 | TUBE-ROLLER (SHORT) |
| 115-8297-03 | TUBE-ROLLER, FULL |
| 115-8298-03 | BRACKET-COMB |
| 115-8299 | PLATE-COMB |
| 115-8483 | HYD HOSE ASM |
| 115-8484 | HYD HOSE ASM |
| 115-8603 | STARTER ASM |
| 115-8861 | STARTER |
| 115-8877 | FILTER-AIR, ENGINE (SAFET |
| 115-8887 | FILTER-AIR, ENGINE (PRIMA |
| 115-8896 | BLADE KIT-STD BLADE,GM59X |
| 115-8898 | BLADE-BELT KIT,GM59XX |
| 115-8957 | BELT-B-SECT. MATCH SET OF |
| 115-9022 | FINGER-PLASTIC |
| 115-9023 | CLAMP-FINGER |
| 115-9024 | PLATE-CENTER |
| 115-9471 | BEARING-CUP |
| 115-9472 | BEARING-CONE AND SEAL |
| 115-9473 | ALTERNATOR-60AMP |
| 115-9793 | BREATHER |
| 117-0106 | CABLE-BRAKE, RH |
| 117-0107 | CABLE-BRAKE, LH |
| 117-0118 | PIVOT ASM |
| 117-0132 | PIN |
| 117-0148 | PIN-CYLINDER |
| 117-0172 | SCREW-HH |
| 117-0203-03 | BRACKET-BRAKE SPRING |
| 117-0208 | SHAFT-PIVOT, LIFTARM |
| 117-0209-03 | BLADE-ANGLE SAIL, 22IN |
| 117-0211 | HYD HOSE ASM |
| 117-0213 | HYD HOSE ASM |
| 117-0238 | DETENT |
| 117-0289 | MVP KIT -HYD HOSE (GM4300 |
| 117-0297 | ROLLER ASM-SECTIONAL |
| 117-0299 | HYD HOSE ASM |
| 117-0823 | TIRE-STANDARD |
| 117-0957 | SHAFT-ROLLER, WIEHLE |
| 117-0959 | ROLLER-WIEHLE, PLASTIC |
| 117-0960 | PLASTIC WIEHLE ROLLER ASM |
| 117-0987 | SHAFT-ROLLER, FRONT |
| 117-0989 | ROLLER-WIEHLE, PLASTIC |
| 117-0990 | PLASTIC WIEHLE ROLLER ASM |
| 117-1353 | BELT-TRACTION |
| 117-1397 | CABLE-CLUTCH, TRACTION |
| 117-1408 | DRUM |
| 117-1507 | GROOMING REEL ASM |
| 117-1511 | SCREW-HSH |
| 117-1530 | BEDKNIFE-EDGEMAX, MICROCU |
| 117-1532 | BEDKNIFE-EDGEMAX, TOURNAM |
| 117-1548 | BEDKNIFE-EDGEMAX |
| 117-2364 | HUB-FAN |
| 117-2376 | CABLE-BATTERY, POSITIVE |
| 117-2453 | SEAT KIT |

| Part Number | Description |
|-------------|---------------------------|
| 117-2720 | MVP KIT-HYD HOSE (RM5X10 |
| 117-2721 | MVP KIT-HYD HOSE, GR3250- |
| 117-2722 | MVP KIT-BLADE PACK, STD (|
| 117-2723 | MVP KIT-HYD HOSE (RM4000 |
| 117-2724 | MVP KIT-HYD HOSE (RM3100 |
| 117-2725 | MVP KIT-HYD HOSE, GR3150 |
| 117-2726 | CASE-SEAL KIT |
| 117-2727 | SEAL KIT WITH CASE |
| 117-2792 | FILTER-FUEL |
| 117-2901 | TIRE |
| 117-3290 | NUT-HEX |
| 117-3399 | BELT-V |
| 117-3756 | FULL REAR ROLLER ASM |
| 117-3759 | FULL FRONT ROLLER ASM |
| 117-3763 | PLATE-SIDE, RH |
| 117-3764 | PLATE-SIDE, LH |
| 117-4464 | BELT-V |
| 117-4687 | WASHER-CUP |
| 117-4689 | SPRING RAKE KIT |
| 117-4764 | DECAL-DANGER |
| 117-4861 | HOSE-HYD |
| 117-4922 | BELT-VEE |
| 117-5100 | SHAFT-REAR ROLLER |
| 117-5115 | HUB AND BEARING ASM |
| 117-5121 | SECTIONAL ROLLER ASM |
| 117-5125 | TIRE |
| 117-5129 | RIM |
| 117-5135 | RADIATOR |
| 117-5141 | HYD MOTOR ASM |
| 117-5188 | HOSE-HYD |
| 117-5190 | HOSE-HYD |
| 117-5196 | TIRE |
| 117-5419 | ALTERNATOR |
| 117-5541 | 60 AMP ALTERNATOR ASM |
| 117-5802 | KIT-FLOW METER |
| 117-5834 | NOZZLE-SPRAYER |
| 117-5835 | NOZZLE-SPRAYER |
| 117-5836 | NOZZLE-SPRAYER |
| 117-5837 | NOZZLE-SPRAYER |
| 117-5838 | NOZZLE-SPRAYER |
| 117-5839 | NOZZLE-SPRAYER |
| 117-5896 | BELT-CVT |
| 117-6619 | BUSHING |
| 117-6799 | CARBIDE GROOMING REEL ASM |
| 117-6824 | BLADE-11 TOOTH (CARBIDE, |
| 117-6831 | BEARING-BALL, STAINLESS |
| 117-6839 | DETHATCHER BLADE KIT, 1.2 |
| 117-6840 | DETHATCHER BLADE KIT, 2.0 |
| 117-7190 | KIT-ADAPTER HEAD |
| 117-7191 | KIT-ADAPTER HEAD |
| 117-7192 | KIT-ADAPTER HEAD |
| 117-7193 | KIT-ADAPTER HEAD |
| 117-7194 | KIT-ADAPTER HEAD |
| 117-7195 | KIT-ADAPTER HEAD |
| 117-7196 | KIT-ADAPTER HEAD |
| 117-7198 | KIT-ADAPTER HEAD |
| 117-7199 | KIT-ADAPTER HEAD |
| 117-8093 | RADIATOR ASM |
| 117-8972 | FAN CLUTCH ASM |
| 117-8976 | SEAL |

| Part Number | Description | Part Number | Description |
|-------------|---------------------------|-------------|---------------------------|
| 117-9032 | RIM | 119-4157 | RETAINER-SHAFT |
| 117-9233 | HIGH SPINDLE ASM | 119-4158 | WASHER-HOC |
| 117-9234 | DOUBLE SPINDLE ASM | 119-4164 | WASHER-WAVE |
| 117-9432 | SPIN ON ELEMENT KIT | 119-4165 | SHIM-HEIGHT, ROLLER |
| 117-9471 | KIT-SERVICE,GR3250-D STEE | 119-4166 | SPACER-HEIGHT, ROLLER |
| 117-9493 | BOLT-BEDBAR | 119-4276 | ROLLER-TIPPER |
| 117-9507 | PEDAL-ACCELERATOR | 119-4280 | BEDKNIFE-EDGEMAX EXTENDED |
| 117-9875 | JOINT-BALL | 119-4286 | REAR ROLLER ASM (SHORT) |
| 11-8960 | FASTENER ASM | 119-4288 | REAR ROLLER ASM (SHORT) |
| 119-0023 | TIRE | 119-4289 | SHAFT-REAR ROLLER 32IN (S |
| 119-0084 | CONTROL-THROTTLE | 119-4486 | BELT-V, FAN |
| 119-0087 | RH LIFT ARM ASM | 119-4546 | SPINDLE HOUSING ASM |
| 119-0089 | LH LIFT ARM ASM | 119-4547 | DRIVING SPINDLE ASM |
| 119-0116-03 | MOUNT-BUMPER, RH | 119-4548 | DOUBLE DRIVEN SPINDLE ASM |
| 119-0117-03 | MOUNT-BUMPER, LH | 119-4549 | HIGH-DRIVEN SPINDLE ASM |
| 119-0118 | PAD-BUMPER | 119-4775 | SPINDLE HOUSING ASM |
| 119-0614-01 | WEIGHT-END | 119-4776 | LOW-DRIVEN SPINDLE ASM |
| 119-0619 | BEDKNIFE-EXTENDED, LC (FA | 119-4777 | SPINDLE ASM |
| 119-0625 | SHAFT ASM | 119-4778 | SPINDLE ASM |
| 119-0626 | SHIM-ROLLER | 119-5298 | DOUBLE-DRIVEN SPINDLE ASM |
| 119-0630 | PLASTIC SHOULDER ROLLER A | 119-5852 | FILTER-OIL |
| 119-0631 | ROLLER-SHOULDER, PLASTIC | 119-6021 | TIRE |
| 119-0640 | PLASTIC SHOULDER ROLLER A | 119-6225 | TIRE |
| 119-0641 | ROLLER-SHOULDER, PLASTIC | 119-6343 | TIRE |
| 119-0649 | TRIM/HD COLLAR KIT | 119-6955 | MVP KIT-HYD HOSE |
| 119-0654 | ADJUSTER-SEAT, LOCKING | 119-6956 | RADIATOR ASM |
| 119-0934 | BELT-CVT | 119-6957 | SERVICE PACK - COMBO BLAD |
| 119-1128 | BLADE-11 TOOTH | 119-6964 | LH HOSE GUIDE ASM |
| 119-1604 | COLLAR-TRIM/HD | 119-6965 | RH HOSE-GUIDE ASM |
| 119-1652 | THROTTLE | 119-6968 | DIPSTICK-OIL |
| 119-1735 | CABLE-CONTROL, TRACTION | 119-6972 | VARIABLE HYDRAULIC PUMP A |
| 119-1868 | WASHER | 119-6987 | HYD CYLINDER ASM |
| 119-2157 | PREMIUM SYNTHETIC BIO HYD | 119-6988 | HYD CYLINDER ASM |
| 119-2479 | TANK-HYDRAULIC | 119-6989 | HYD CYLINDER ASM |
| 119-2482 | DECAL-OPERATING | 119-6990 | HYD CYLINDER ASM |
| 119-3009 | TIRE | 119-6991 | HYD CYLINDER ASM |
| 119-3010 | RIM | 119-8010-03 | KICKSTAND |
| 119-3516 | TIRE-TRACTION | 119-8020 | ATOMIC BLADE KIT - 3 BLA |
| 119-3555 | RADIATOR | 119-8021 | HIGH FLOW BLADE KIT - 3 B |
| 119-3557 | HYD HOSE ASM | 119-8145 | HOSE-HYD (PRESSURE NO. 3) |
| 119-3558 | HYD HOSE ASM | 119-8146 | HOSE-HYD (RETURN NO. 3) |
| 119-3871 | RADIATOR | 119-8147 | HOSE-HYD (CASE NO. 3) |
| 119-4035 | SCREW-HSH | 119-8157 | HOSE-HYD (PRESSURE NO. 2) |
| 119-4039 | NUT-HEX, NI | 119-8158 | HOSE-HYD (RETURN NO. 2) |
| 119-4040 | NUT-FLANGE, NI | 119-8160 | HOSE-HYD (PRESSURE NO. 1) |
| 119-4050 | BEDBAR BOLT REPLACEMENT A | 119-8161 | HOSE-HYD (RETURN NO. 1) |
| 119-4067 | SCREW-HH | 119-8162 | HOSE-HYD (CASE NO. 1) |
| 119-4090 | SHAFT-ROLLER | 119-8313 | TIRE |
| 119-4092 | ROLLER TUBE ASM | 119-8558 | BEARING-NOSEAL |
| 119-4093 | REAR FULL ROLLER ASM | 119-9040 | TANK-HYDRAULIC |
| 119-4095 | GRASS SHIELD ASM | 119-9044-03 | BLADE-EDGER, OSCILLATORY |
| 119-4097 | ROLLER TUBE ASM, 18" | 120-0404 | BRACKET-HIGH HOC (LH) |
| 119-4098 | FULL ROLLER ASM | 120-0405 | BRACKET-HIGH HOC (RH) |
| 119-4129 | MUFFLER | 120-0698 | STRAINER-TIP, 100 MESH |
| 119-4150 | WASHER-FLAT | 120-0699 | STRAINER-TIP, 50 MESH |
| 119-4151 | SCREW-BEDKNIFE | 120-0700 | NOZZLE-AI .2GPM, YELLOW |
| 119-4153 | RUBBER BUSHING ASM | 120-0701 | NOZZLE-AI .4GPM, RED |
| 119-4154 | NUT-LOCK, NI | 120-0702 | NOZZLE-AI .5GPM BROWN |
| 119-4155 | WASHER-HARDENED | 120-0703 | NOZZLE-AI .6GPM, GRAY |
| 119-4156 | SPRING-COMPRESSION | 120-0704 | NOZZLE-AI .8GPM, WHITE |

PARTS LIST

| Part Number | Description |
|-------------|---------------------------|
| 120-0705 | NOZZLE-AI 1.0GPM, BLUE |
| 120-0706 | NOZZLE-AI 1.5GPM, GREEN |
| 120-0707 | NOZZLE-AI TURBO .2GPM, YE |
| 120-0708 | NOZZLE-AI TURBO .4GPM, RE |
| 120-0709 | NOZZLE-AI TURBO .5GPM, BR |
| 120-0710 | NOZZLE-AI TURBO .6GPM, GR |
| 120-0711 | NOZZLE-AI TURBO .8GPM,WHI |
| 120-0712 | NOZZLE-AI TURBO 1.0 GPM,B |
| 120-0713 | NOZZLE-AI TURBO 1.5 GPM, |
| 120-0714 | CAP ASM, SINGLE FAN |
| 120-0716 | FILTER ASM |
| 120-0781 | ROD-CONNECTING |
| 120-1044 | GUARD-TURF, 3-TINE (SHORT |
| 120-1045 | GUARD-TURF, 4-TINE (SHORT |
| 120-1046 | GUARD-TURF, 4-TINE, LONG |
| 120-1047 | GUARD-TURF, 5 TINE, SHORT |
| 120-1050 | GUARD-TURF, 6 TINE SHORT |
| 120-1051 | GUARD-TURF, 3-TINE, LONG |
| 120-1052 | GUARD-TURF, 5 TINE, LONG |
| 120-1053 | GUARD-TURF, 6 TINE LONG |
| 120-1057 | GUARD-TURF, 3-TINE (RH) |
| 120-1058 | GUARD-TURF, 3-TINE (LH) |
| 120-1059 | GUARD-TURF, 4-TINE (RH) |
| 120-1060 | GUARD-TURF, 4-TINE (LH) |
| 120-1061 | GUARD-TURF, 5 TINE (RH) |
| 120-1062 | GUARD-TURF, 5 TINE (LH) |
| 120-1063 | GUARD-TURF, 6 TINE (RH) |
| 120-1640 | BEDKNIFE-LOW HOC EXTENDED |
| 120-1641 | BEDKNIFE-LOW HOC EXT |
| 120-1642 | BEDKNIFE-LOW HOC EXT |
| 120-2072 | HYD MOTOR ASM |
| 120-2114 | TIRE-SMOOTH |
| 120-2235 | FILTER-FUEL |
| 120-2682-01 | BEDBAR |
| 120-2742 | BRUSH ASM, GROOMER GR800 |
| 120-2752 | ROD-LIFT, GROOMER |
| 120-2763 | BELT-GROOMER |
| 120-2783 | TIRE |
| 120-3199 | PIN-PIVOT |
| 120-3221 | LH REEL NUT ASM |
| 120-3222 | RH REEL NUT ASM |
| 120-3230 | SHAFT ASM |
| 120-3237 | O-RING |
| 120-3351 | BELT-3V |
| 120-3366 | BEARING |
| 120-3391 | KIT-SPINDLE |
| 120-3402 | ENGINE-BRIGGS & STRATTON, |
| 120-3403 | ENGINE-BRIGGS, 356447-030 |
| 120-3404 | BLOCK-GUIDE |
| 120-3407 | ENGINE-16HP, VANGUARD (SE |
| 120-3408 | ENGINE-18HP, VANGUARD (SE |
| 120-3417 | TRACTION PEDAL KIT |
| 120-3457 | REAR HITCH ASM |
| 120-3461-01 | MOUNT-ENGINE |
| 120-3465-03 | FRAME-HITCH |
| 120-3476 | MUFFLER-DUAL INLET |
| 120-4132-01 | CHAMBER-OUTER |
| 120-4174 | WHEEL AND TIRE ASM |
| 12-0460 | CAPLUG |
| 120-4621 | BEARING |

| Part Number | Description |
|-------------|---------------------------|
| 120-4817 | DRY LUBE, GRAPHITE-AEROSO |
| 120-5116 | WASHER-WAVE |
| 120-5118 | SHAFT-ADJUSTER |
| 120-5120 | SPRING-COMPRESSION |
| 120-5142 | ROLLER BRUSH ASM |
| 120-5261 | CONTROL-THROTTLE |
| 120-5313-03 | MOUNT-ENGINE |
| 120-5341 | KIT-SERVICE, ACTUATOR |
| 120-5378 | BEARING-BALL |
| 120-5404 | SHAFT-ROLLER |
| 120-5405 | ROLLER-WIEHLE, EXTENDED |
| 120-5575 | PIN |
| 120-5576 | WASHER-HARDENED |
| 120-5577 | BEARING SPACER SET |
| 120-5772 | BELT-V |
| 120-5819 | ALTERNATOR |
| 120-5824 | BELT-FAN |
| 120-6260 | RH BRAKE ASM |
| 120-6261 | LH BRAKE ASM |
| 120-6272 | HYD MOTOR ASM |
| 120-6274 | MOUNT-ENGINE |
| 120-7230 | HD DPA MVP KIT |
| 120-7639 | TIRE |
| 120-8802 | HYD CYLINDER ASM |
| 120-8878 | RH LIFT ARM ASM |
| 120-8879 | LH LIFT ARM ASM |
| 120-8910 | TIRE-OFF ROAD |
| 120-8959 | HOSE-HYD |
| 120-8987 | HOSE-HYD |
| 120-8988 | HOSE-HYD |
| 120-9595 | REAR FULL ROLLER ASM (STE |
| 120-9600 | HIGH HOC KIT |
| 120-9605 | REAR ROLLER ASM, 18" |
| 120-9607 | NARROW WIEHLE ROLLER ASM, |
| 120-9609 | WIDE WIEHLE ROLLER ASM, 1 |
| 120-9611 | FULL ROLLER ASM, 18" (2.5 |
| 120-9613 | ROLLER TUBE ASM |
| 120-9619 | BLADE-SCRAPER, WIDE (18 I |
| 120-9620-03 | BLADE-SCRAPER, FULL (18 I |
| 120-9622 | WIDE WIEHLE ROLLER BRUSH |
| 120-9623 | FULL ROLLER BRUSH KIT, 18 |
| 120-9664 | BEARING-BALL |
| 120-9695 | NUT-JAM |
| 120-9705 | SHAFT-INPUT, REEL |
| 120-9707 | SHAFT-DRIVE, REEL |
| 120-9742 | CLIP-RETAINING |
| 120-9941 | BOLT-BEDBAR |
| 121-0547 | PLUG-SPARK |
| 121-0618 | SET-ELEMENT |
| 121-0685 | FILTER-FUEL |
| 121-1720-01 | BRACKET-FORK |
| 121-1733 | OVERHAUL SEAL KIT |
| 121-1736 | OVERHAUL SEAL KIT |
| 12-1190 | PINION-IDLER |
| 121-2241 | BLADE |
| 121-2474-03 | PANEL-COOLER |
| 121-2520 | BRAKE LEVER BRACKET ASM |
| 121-2598-01 | SCRAPER |
| 121-2637 | DPA ADJUSTERS MVP KIT |
| 121-2646 | ROLLER-WIEHLE, PASPALUM |

| Part Number | Description | Part Number | Description |
|-------------|---------------------------|-------------|---------------------------|
| 121-2756 | BATTERY-DOOR | 125-0765 | BELT-SYNCHRONOUS |
| 121-2976 | ROD-BRAKE, WIDE (RH) | 125-1906 | PIN-CYLINDER |
| 121-3165 | BEDKNIFE-EDGEMAX | 125-1938 | LATCH |
| 121-3166 | BEDKNIFE-STD | 125-1967 | BRACKET-BRAKE, PARK |
| 121-3167 | BEDKNIFE-LOW CUT | 125-1984 | SPACER |
| 121-3182-03 | WIEHLE ROLLER SCRAPER 18" | 125-2169 | ENGINE-KUBOTA, V1505T |
| 121-3199 | BRUSH-ROLLER (HIGH HOC) | 125-2751 | BELT-BRUSH |
| 121-3548 | RIM | 125-2772 | LH THREADED INSERT ASM |
| 121-3575 | SPACER-HOC | 125-2773 | RH THREADED INSERT ASM |
| 121-3625 | FILTER-PUMP, FUEL | 125-2779-01 | WEIGHT-END, 5 INCH |
| 121-3627 | DECAL-HEIGHT OF CUT | 125-2796 | BRACKET-FRONT HOC |
| 121-3874 | WRENCH ASM | 125-2902 | FILTER-FUEL |
| 121-3882 | SHAFT-PIVOT, LIFT ARM | 125-2909 | TREAD-FLOORBOARD |
| 121-3891 | FILTER-AIR, CAB INTERIOR | 125-2914 | SEPARATOR FILTER ASM |
| 121-3892 | FILTER-AIR, CAB EXTERIOR | 125-2915 | FILTER-FUEL/WATER SEPARAT |
| 121-4570 | FILTER-FUEL | 125-3319 | TINE-NEEDLE, 5MM X 5.43 |
| 121-4600 | NUT-HEX | 125-3333 | BEARING-BALL |
| 121-4605 | WASHER-SPRING | 125-3511 | GREASE-SYNTHETIC |
| 121-4613 | ARM-HOC, LH | 125-3520 | BEARING-BALL |
| 121-4617 | ROD-LIFT | 125-3526-03 | SCRAPER-FULL |
| 121-4618 | ARM-HOC, RH | 125-3527-03 | SCRAPER-NARROW |
| 121-4635 | WIEHLE ROLLER ASM, EXT | 125-3528-03 | SCRAPER-WIDE |
| 121-4641 | ROLLER-FULL, EXT | 125-3537 | EXTENDED REAR ROLLER KIT |
| 121-4680 | FULL ROLLER ASM, EXT | 125-3540 | SHAFT-HEX |
| 121-4681 | NARROW WIEHLE ROLLER ASM, | 125-3541 | SHAFT-HEX |
| 121-4682 | REAR ROLLER ASM, STEEL | 125-4300 | SEAL KIT |
| 121-5252 | BELT-V | 125-4301 | SEAL KIT |
| 121-5253 | BELT-V | 125-4302 | SEAL KIT |
| 121-5254 | BELT-V | 125-5142-03 | BLADE-PUSH, REAR |
| 121-5347-03 | BLADE-25.18 INCH, ANGLED | 125-5178 | BUSHING |
| 121-5397 | SEAL KIT | 125-5196 | BUSHING |
| 121-5631 | HUB ASM | 125-5222 | BUSHING-ECCENTRIC, MACHIN |
| 121-6288 | STARTER ASM F/W | 125-5244 | MOUNT-ENGINE |
| 121-6357 | REEL | 125-5279 | BEARING-ROLLER |
| 121-6392 | PREMIUM ENGINE OIL 10W30 | 125-5609 | PLUG-PLASTIC |
| 121-6393 | PREMIUM ENGINE OIL 10W30 | 125-5610 | PAPER-REEL, TORO (10 PACK |
| 121-6394 | PREMIUM ENGINE OIL 15W40 | 125-5611 | SHIM-REEL, TORO (0.002 IN |
| 121-6395 | PREMIUM ENGINE OIL 15W40 | 125-5623 | PAPER-TORO REEL BOOKLET |
| 121-6674 | BLADE-ELEVEN TOOTH DETHAT | 125-6044 | BELT-V, |
| 121-6675 | DETHATCHER BLADE KIT, SPR | 125-6045 | BELT-V, IMPELLER |
| 121-6903-03 | REAR ROLLER ASM | 125-6406 | TIRE |
| 121-7856 | STEERING VALVE ASM | 125-6465 | TIRE |
| 121-7924 | TIRE ASM 22-12X12, TREADE | 125-7003 | STARTER |
| 121-9070 | VALVE ASM | 125-7025 | FILTER-ENGINE |
| 121-9072 | TIRE-TURF TREAD | 125-7249 | BEARING, BALL |
| 121-9076 | MOUNT-ENGINE | 125-7251 | BEARING-BALL |
| 121-9077 | ASSEMBLY-WHEEL/TIRE | 125-7252 | BEARING-BALL |
| 121-9081-01 | COVER-REAR | 125-7253 | BEARING-BALL |
| 121-9517 | KIT-MVP, GROOMER RE-BUILD | 125-8752 | FILTER-FUEL/OIL |
| 121-9518 | KIT-MVP, BLADES-GROOMER, | 125-9139 | SPARK PLUG |
| 121-9519 | KIT-SERVICE, GEAR PUMP | 125-9176 | SEAL KIT |
| 121-9531 | BLADE-GROOMER, THIN CARBI | 125-9249 | SPACER-COUPLER, RUBBER |
| 121-9535 | WIEHLE ROLLER ASM, PASPAL | 125-9444-03 | BLADE-COMBINATION, 25.18 |
| 121-9612 | BELT | 126-2928 | KIT, ANTI-SCALP ROLLER AX |
| 121-9774 | ABSORBER-SHOCK | 127-0259 | BELT-BRUSH (22"FWY) |
| 121-9924 | BELT-DRIVE | 127-0381 | INNER FILTER KIT |
| 122-0371 | LIGHT-WORK, LED | 127-2066 | REEL-5IN FWY, (22) 11 BLD |
| 12-3270 | SCREW | 127-2070 | REEL-5 IN FWY, (22) 5 BLD |
| 125-0552 | ROLLER BRUSH ASM | 127-2077 | REEL-7 IN FWY, (22) 5 BLD |
| 125-0554 | BRUSH-ROLLER | 127-2093 | REEL-FAIRWAY, 27 INCH 5 B |

PARTS LIST

| Part Number | Description |
|-------------|---------------------------|
| 127-2094 | REEL-FAIRWAY, 8 BLADE (27 |
| 127-2095 | REEL-FAIRWAY, 27 INCH 11 |
| 127-2104 | REEL-FAIRWAY, 32IN 5 BLAD |
| 127-2105 | REEL-FAIRWAY, 32IN 8 BLAD |
| 127-2156 | REEL-FLEX (18), 11 BLD |
| 127-2157 | REEL-FLEX (18), 14 BLD |
| 127-2160 | 11 BLADE REEL ASM |
| 127-2161 | 14 BLADE REEL ASM |
| 127-2164 | 18 INCH 11 BLADE LOW DRAG |
| 127-2165 | 18 INCH 14 BLADE LOW DRAG |
| 127-2174 | REEL-FLEX (21), 8 BLD |
| 127-2175 | REEL-FLEX (21), 8 BLD |
| 127-2176 | REEL-FLEX (21), 11 BLD |
| 127-2177 | REEL-FLEX (21), 14 BLD |
| 127-2181 | REEL-GR (21), 8 BLD |
| 127-2183 | REEL-GR (21), 14 BLD |
| 127-2188 | REEL-SPA 4BOLT, 8 BLD |
| 127-2189 | REEL-SPA 4BOLT, 11 BLD |
| 127-2193 | REEL-DPA (21), 8 BLD |
| 127-2194 | REEL-DPA (21), 11 BLD |
| 127-2195 | REEL-DPA (21), 14 BLD |
| 127-2206 | 8-BLADE REEL ASM |
| 127-2207 | 11-BLADE REEL ASM |
| 127-2612 | GUARD-PIPE, TAIL |
| 127-2665-03 | FRAME-SUPPORT, RADIATOR |
| 127-2741 | SHIELD-WHEEL, FRONT |
| 127-2742 | SHIELD-WHEEL, REAR |
| 127-2796 | TIRE |
| 127-2958 | BEARING-BALL |
| 127-2983 | BEARING-BALL |
| 127-2998 | V-BELT |
| 127-3075 | FUEL/OIL FILTER ASM |
| 127-3694 | HYD MOTOR ASM |
| 127-3721 | RH CASTOR ARM ASM KIT |
| 127-3731 | LH CASTOR ARM ASM KIT |
| 127-3741 | CASTOR ARM ASM KIT |
| 127-3818 | STARTER ASM |
| 127-4284 | WASHER-SPECIAL |
| 127-5839 | LONG STEERING ROLLER COMP |
| 127-5897 | BEARING, BALL 25MM |
| 127-6124 | BLADE-GROOMER, HELIX (.01 |
| 127-6389 | DECK CHAMBER SERVICE ASM |
| 127-6422 | SCREW-GREASE, ROLLER |
| 127-6427 | LIFT CYLINDER ASM |
| 127-6428 | LIFT CYLINDER ASM |
| 127-7435 | TIRE |
| 127-8001 | SHORT STEERING ROLLER COM |
| 127-9656 | ENGINE-KUBOTA, D902 |
| 12-8140 | KEY SWITCH |
| 12-9390 | TIRE (16X4-12) 4 PLY SEMI |
| 12-9460 | DISC HALF |
| 130-0071 | REEL-8IN FWY, (30) 7 BLD |
| 130-0075 | REEL-8IN FWY, (30) 5 BLD |
| 130-0081 | REEL-7IN FWY, (30) 11 BLD |
| 130-0088 | REEL-5IN FWY, (21) 5 BLD |
| 130-0093 | REEL-5IN FWY, (21) 8 BLD |
| 130-0099 | REEL-7IN FWY, (22) 7 BLD |
| 130-0105 | KIT-BEARING AND SEAL REBU |
| 130-0120 | REEL -LD (21), 8 BLD HD |
| 130-1241 | V BELT |

| Part Number | Description |
|-------------|---------------------------|
| 130-1673 | CABLE-THROTTLE |
| 130-1899 | AIR FILTER ASM |
| 130-2660 | MVP KIT-BLADE PACK, STD (|
| 130-4105 | BLADE-GROOMER |
| 130-4119 | REEL-7IN FWY, (27) 5 BLD |
| 130-4123 | REEL-7IN FWY, (27) 8 BLD |
| 130-4127 | REEL-7IN FWY, (27) 11 BLD |
| 130-4132 | REEL-7IN FWY, (32) 5 BLD |
| 130-4136 | REEL-7IN FWY, (32) 8 BLD |
| 130-4139 | REEL-8IN FWY, (30) 7 BLD |
| 130-4141 | REEL-8IN FWY, (30) 11 BLD |
| 130-4745 | BEDKNIFE-EDGEMAX, LOWCUT |
| 130-6469 | REEL-SPA 4BOLT, 8 BLD |
| 130-6470 | REEL-SPA 4BOLT, 11 BLD |
| 130-6472 | ENGINE-BRIGGS AND STRATTO |
| 130-7096 | FILTER ASM |
| 130-7832 | ARM ASM |
| 130-7873 | GUIDE-HOSE |
| 130-7879-01 | FRAME-ADAPTER |
| 130-7943 | VALVE-STEERING,CONTROL |
| 130-7944 | VALVE-CONTROL, STEERING |
| 130-8357 | SEAL KIT |
| 130-8380 | SPARK PLUG |
| 130-8860 | FILTER-OIL, ENGINE |
| 130-9151-03 | BLADE-20 IN |
| 130-9410 | COUPLING-FLEX, 2 BEAM |
| 131-0504 | SHAFT-VERTICUTTER, 5 INCH |
| 131-0768 | DRIVING SPINDLE ASM |
| 131-2013 | REEL-DPA (21), 5 BLD HD |
| 131-2014 | REEL-DPA (21), 8 BLD HD |
| 131-2786 | HYD CYLINDER ASM |
| 131-3185 | CABLE-THROTTLE |
| 131-3201 | REEL-FAIRWAY, 18 INCH 8 B |
| 131-3202 | REEL-FAIRWAY, 18 INCH 11 |
| 131-3203 | 22 INCH 8 BLADE FAIRWAY R |
| 131-3204 | REEL-FAIRWAY, 22 INCH (11 |
| 131-3364 | STD BLADE KIT |
| 131-3751 | KIT - MVP, MULTI PRO |
| 131-3828 | EAR MUFF - HEARING PROTEC |
| 131-4293 | PIN PIVOT |
| 131-4399 | LEVER, PUMP |
| 131-4876 | HEAD BEARING KIT |
| 131-4889 | INSERT-SLEEVE, 7/8 INCH |
| 131-5528 | BEARING-ROLLER |
| 131-6262 | MVP KIT-INITIAL 800 HOUR, |
| 131-6557 | ALTERNATOR ASM |
| 131-6561 | STARTER ASM |
| 131-6572 | TORO PREMIUM FUEL TREATME |
| 131-6581 | PAINT-AEROSOL,TORO RED-IN |
| 131-6667 | TIRE |
| 131-6670 | TIRE |
| 131-6673 | TIRE-REAR |
| 131-6690 | SEAT COVER, SMALL |
| 131-6691 | SEAT COVER, LARGE |
| 131-6805 | ES REEL-7IN FWY (22), 8 B |
| 131-6828 | INDICATOR-ANGLE |
| 131-6829 | MOUNT-INDICATOR, ANGLE |
| 131-7800 | ROLLER ASM (UHMW) |
| 131-8276 | MVP KIT 400 FILTER KIT WO |
| 131-8318 | TIRE |

| Part Number | Description |
|-------------|---------------------------|
| 131-8319 | TIRE/WHEEL ASM |
| 131-8444 | STARTER/GENERATOR ASM |
| 131-8785 | MVP KIT-800 HOUR, GR3150 |
| 131-8795 | KIT-CLUTCH SHAFT SERVICE |
| 132-1319 | BLADE-ROTARY, 19.00 HIGH |
| 132-1325 | BLADE SERVICE PACK |
| 132-1390-03 | BLADE-ATOMIC 20.00 IN |
| 132-1391 | BLADE SERVICE PACK, ATOMI |
| 132-1392 | BLADE SERVICE PACK, 20.00 |
| 132-1440 | BLADE-BELT KIT |
| 132-3831 | LOCK ASM |
| 132-3841 | SHAFT-DRUM EXTENSION, RH |
| 132-3842 | SHAFT-DRUM EXTENSION, LH |
| 132-4350 | PUMP-PISTON, VARIABLE |
| 132-4351 | PUMP-PISTON, VARIABLE |
| 132-4389 | HANGER |
| 132-4393 | PLATE-TROWEL, RH |
| 132-4394 | PLATE-TROWEL, LH |
| 132-4395 | PLATE-TROWEL, CENTER |
| 132-5206 | ENGINE-KUBOTA, V1505 (SER |
| 13-2650 | BELT-V |
| 132-6959 | BALLJOINT |
| 132-6979 | BEARING-ROLLER W/COLLAR |
| 132-6994 | HOUSING-BELL |
| 132-7112 | ES REEL-5IN FWY (22) 11 B |
| 132-7312 | ES 8 BLD REEL ASM |
| 132-7313 | ES 11 BLADE REEL ASM |
| 132-7314 | ES 14 BLADE REEL ASM |
| 132-7353 | ES 11 BLD REEL ASM |
| 132-7354 | ES 14 BLD REEL ASM |
| 132-7357 | ES 11 BLD REEL-ASM |
| 132-7358 | ES 14 BLD REEL-ASM |
| 132-7361 | ES 8 BLADE REEL ASM |
| 132-7362 | ES 11BLADE REEL ASM |
| 13-2840 | KEY-SQUARE |
| 132-8621 | BATTERY CORROSIVE |
| 132-9421 | PULLEY-IDLER, FLAT |
| 132-9598 | MAT-ROLLER |
| 133-0109 | ES REEL-5IN FWY (18) 8 BL |
| 133-0140 | REEL- 8IN FWY, (30) 5 BLD |
| 133-0150 | UNIVERSAL GROOMER ASM RM |
| 133-0151 | UNIVERSAL GROOMER ASM RM |
| 133-0152 | RM3550 18" RRB (FOR UNIVS |
| 133-0153 | RM5010/RM3555 5" 22" RRB(|
| 133-0154 | RM5010/RM3575 7IN 22IN RR |
| 133-0155 | RM3550 18" RRB (ONLY) MVP |
| 133-0157 | RM5010/3555 5" X 22" RRB |
| 133-0158 | RM5010/3575 7IN X 22IN RR |
| 133-0182 | ES REEL-FWY, (27) 5 BLD (|
| 133-0184 | ES REEL-FWY, (27) 8 BLD (|
| 133-0195 | ES REEL-FWY, (32) 8 BLD (|
| 133-0577 | SEAT ASM |
| 13-3090 | SPRING-FINGER |
| 133-2331 | KIT, HYDRAULIC TANK |
| 133-2337 | ROLLER ASM |
| 133-2378 | BEARING |
| 133-2929 | CONTROL-THROTTLE |
| 133-2934 | HYDRAULIC MOTOR ASM |
| 133-2935 | HYDRAULIC MOTOR ASM |
| 133-2940 | TIRE |

| Part Number | Description |
|-------------|---------------------------|
| 133-2950 | KIT-WHEEL MOTOR |
| 13-3629 | OVER HAUL KIT |
| 13-3649 | O/H KIT RM216 5/8/11 CU |
| 13-3659 | O/H KIT GR3000 5/8/11CU |
| 13-3679 | OVERHAUL KIT-450D C/U |
| 13-3710 | WASHER |
| 133-8201 | ES REEL-5IN FWY (22) 8 BL |
| 133-8205 | ES REEL-7IN FWY (22) 5BLD |
| 133-8209 | ES REEL-7IN FWY (22) 5 BL |
| 133-8211 | ES REEL-7IN FWY (22) 8 BL |
| 133-8269 | ES REEL-FWY,(27) 8 (RR) B |
| 133-8271 | ES REEL-FWY, (27) 11 (RR) |
| 133-8273 | ES REEL-FWY, (32) 8 (RR) |
| 133-8278 | ES REEL-FWY, (27) 11 BLD |
| 133-8895-03 | SCRAPER-ROLLER, NARROW |
| 133-8898 | MVP KIT-SEAL, CLUTCH |
| 13-4960 | SHAFT-PLATE, FINGER |
| 136-1010 | SEAL OVERHAUL KIT |
| 136-1100 | SPARK PLUG |
| 136-2881 | KIT-BALLAST (27IN. C/U) |
| 136-2908 | ROLLER ASM |
| 136-2915 | KIT-BALLAST(22IN C/U) |
| 136-2921 | PLATE ASM-H.O.C. |
| 136-4370-03 | BLADE-ROTARY, MEDIUM SAIL |
| 136-4440 | TIRE-HIGH TRACTION |
| 136-4442 | TIRE-HIGH TRACTION |
| 136-5375 | TIRE (23X10.50-12) |
| 136-6280 | MVP KIT 400 WORKMAN GTX |
| 136-6296 | BELT-VARIABLE |
| 136-7287 | SHAFT-HEX, RH |
| 136-7963 | TIRE ASM |
| 136-7964 | WHEEL |
| 136-8005 | LIFT ARM #5 |
| 136-8446 | KIT, CENTER PULL FRAME |
| 136-8452 | HOSE-HYD (CASE NO.2) |
| 136-8483 | FRAME-PULL, RH |
| 136-8484 | FRAME-PULL, LH |
| 136-8485 | FRAME-PULL, CENTER |
| 136-8519 | KIT-TRIFLEX HYDRAULIC HOS |
| 136-8577 | PULL FRAME ASM |
| 137-0830 | BEDKNIFE-EDGEMAX LOWCUT 1 |
| 137-0831 | BEDKNIFE-EDGEMAX |
| 137-0832 | BEDKNIFE-EDGEMAX LOWCUT |
| 137-0833 | BEDKNIFE-EDGEMAX (FAIRWAY |
| 137-1311 | SEAT COVER - MESH SMALL |
| 137-1312 | SEAT COVER - MESH LARGE G |
| 137-3387 | DECAL-DASH |
| 137-3388 | CONTROL PANEL ASM |
| 137-5215 | JUMP DRIVE - SERVICE AND |
| 137-5500 | BLADE PACK, CE MED SAIL (|
| 137-5512 | STARTER |
| 13-7749 | HOUSING AND BEARING ASM |
| 13-7759 | HOUSING AND BEARING ASM |
| 13-7769 | LH HOUSING AND BEARING AS |
| 137-8407 | ES REEL+,5IN FWY(18)11 BL |
| 137-8416 | REEL+,5IN FWY(22)8 BLD |
| 137-8423 | ES REEL+,5IN FWY(22)11 BL |
| 137-8426 | ES REEL+,5IN FWY(22)8 BLD |
| 137-8432 | REEL+,7IN FWY(22)8 BLD |
| 137-8433 | REEL+,7IN FWY(22)11 BLD |

PARTS LIST

| Part Number | Description |
|-------------|---------------------------|
| 137-8438 | ES REEL+,7IN FWY(22)8 BLD |
| 137-8439 | ES REEL+,7IN FWY(22)11 BL |
| 137-8446 | ES REEL+,7IN FWY(22)8 BLD |
| 137-8447 | ES REEL+,7IN FWY(22)11 BL |
| 137-8451 | REEL+,7IN FWY(22)5 BLD(SP |
| 137-8453 | REEL+,7IN FWY(22)11 BLD(S |
| 137-8482 | ES REEL+,FWY(32)5 BLD LD(|
| 137-8511 | ES REEL+,LOW DRAG (21), 8 |
| 137-8512 | ES REEL+,LOW DRAG (21), 1 |
| 137-8513 | ES REEL+, LD (21), 14 BLD |
| 137-8523 | ES REEL+,LOW DRAG (18), 1 |
| 138-1227 | DECK CHAMBER ASM |
| 138-4975 | HOSE ASM-HYD HP |
| 14-0829 | REEL FRAME ASM |
| 14-4459 | HOUSING-BEDBAR |
| 14-4479 | REAR HOC BRACKET AND BUSH |
| 14-4489 | FRONT HOC BRACKET ASM |
| 1-513374 | METER-HOUR |
| 1-523420 | BUMPER |
| 1-603299 | ROLLER-SCALP, ANTI |
| 1-603903 | SPACER |
| 16-1019 | CHANNEL |
| 16-9759 | LINK ASM |
| 16-9769 | BEDBAR ADJUSTER HOUSING A |
| 17-1580 | SPACER (0.5 INCH) |
| 17-1590 | BLADE-11 TOOTH |
| 17-1600 | SPACER (0.25 INCH) |
| 17-1620 | BUSHING-WHEEL |
| 17-1630 | WHEEL |
| 17-1640 | LH SCRAPER WHL |
| 17-1650 | RH SCRAPER WHEEL |
| 17-2490 | SPROCKET |
| 17-2520 | STUD-TYPE, DRIVE |
| 17-8149 | WHEEL HUB ASM |
| 17-9420 | SCREW-HANDLE |
| 17-9426 | SCREW-HANDLE |
| 1-806003 | PIN-COTTER |
| 18-6320 | WASHER-STEERING |
| 18-6340 | STEERING SHAFT-LOWER |
| 18-6370 | CHAIN |
| 18-6380 | PIN-ADJUSTMENT, STEERING |
| 18-7160 | PIN-CYLINDER |
| 18-7310 | PIN-CYLINDER |
| 18-7530 | BALL JOINT ASSY CENTE |
| 18-7660-01 | SWIVEL BRKT ASM |
| 19-1470 | SCREW-SHOULDER |
| 19-1471 | SCREW-SHOULDER |
| 19-2090 | CHOKE CONTROL |
| 19-9540 | LH SPRING |
| 19-9550 | RH SPRING |
| 19-9560 | SPRING SPACER |
| 19-9820 | BED BAR PIVOT |
| 20-0480 | PIVOT ROD |
| 20-4290 | MAT-DRAG |
| 20-4670 | DRAG LINK |
| 20-7380-01 | BLADE-SPIKE, PROFILED |
| 20-9500 | WASHER |
| 21-0890 | V-BELT |
| 21-1030 | SPANNER BUSHING |
| 2112-11 | CLAMP-MUFFLER |

| Part Number | Description |
|-------------|---------------------------|
| 2112-9 | CLAMP |
| 21-1880 | GRIP-HANDLE |
| 21-3850 | ROLLER BRG W/46-8960 |
| 21-3860 | WHEEL |
| 21-3870 | AXLE ASM |
| 215-75 | HOLD DOWN SPRING |
| 21-6410 | BEARING-ROLLER, FRONT |
| 217-104 | 3/4-16 TAPER NUT |
| 217-117 | WHEEL |
| 217-60 | RIM |
| 217-74 | BOLT-WHEEL |
| 21-8180 | BEARING ASM |
| 21-8450 | REAR ROLLER ASM |
| 21-8470 | SHAFT-ROLLER |
| 21-8500-01 | PULL ARM ASM RH |
| 218-578 | FUSE-BLADE, 10 AMP |
| 218-594 | FUSE-20 AMP |
| 21-8640 | LATCH-LEVER, VALVE |
| 21-9370 | SCREW-ADJUSTING |
| 21-9380 | NUT-PIVOT |
| 21-9390 | SOCKET-SCREW, ADJUSTING |
| 21-9420 | SPRING-RETURN, LH |
| 21-9430 | SPRING-RETURN, RH |
| 21-9440 | SPRING-SCREW, ADJUSTING |
| 21-9450 | SHIELD-DUST |
| 21-9460 | RETAINER-LEVER, BRAKE |
| 2210-118 | GASKET W/ENGINE |
| 2-2149 | LH ROLLER BRKT & BSHG |
| 22-8720 | SEAL KIT |
| 23-0660 | SWITCH-STARTER |
| 231-101 | TIRE (23X8.5-12) 4-PLY TU |
| 231-103 | TIRE(20X8-10) 4-PLY |
| 231-105 | TIRE-RIBBED |
| 231-122 | TIRE-4-PLY |
| 231-126 | TIRE (13X5-6) 4-PLY RIBBE |
| 231-134 | TIRE (26X12-12) 4-PLY |
| 231-138 | TIRE (23X8.5-12) 6-PLY |
| 231-3 | TIRE(16X4.8-8)2-PLY PNEUM |
| 231-95 | TIRE(23X10.5X12) 4-PLY WI |
| 232-24 | STEM-VALVE |
| 23-2270 | BUSHING-RUBBER |
| 232-3 | TUBE-INNER |
| 23-2300 | FILTER-OIL, TRANSMISSION |
| 232-37 | TUBE |
| 23-2410-03 | BLADE-HIGH SAIL, 25 INCH, |
| 23-2790-01 | BLADE-SCRAPER |
| 233-21 | KNOB |
| 233-25 | KNOB-CONTROL |
| 233-42 | KNOB |
| 233-48 | KNOB |
| 233-70 | KNOB-STAR, THREE |
| 23-4800 | THROTTLE CONTROL |
| 237-101 | O-RING |
| 237-146 | O-RING |
| 237-148 | QUAD SEAL RING |
| 237-156 | O-RING |
| 237-158 | O-RING |
| 237-161 | O-RING |
| 237-177 | O-RING |
| 237-21 | O-RING |

| Part Number | Description | Part Number | Description |
|-------------|---------------------------|-------------|-----------------------|
| 237-22 | O-RING | 24-9180 | STRUT AND LEVER ASM |
| 237-30 | O-RING | 249-40 | KEEPER |
| 237-38 | O-RING | 251-181 | .500 RF BALL BEARING |
| 237-42 | O-RING | 251-206 | 1.000 RLL BALL BEARNG |
| 237-54 | O-RING | 251-247 | HOUSED BRG |
| 237-58 | O-RING | 251-252 | BEARING |
| 237-65 | O-RING | 251-253 | BEARING |
| 237-68 | O-RING | 251-257 | BEARING-BALL |
| 237-77 | O RING | 251-259 | BEARING-BALL |
| 237-78 | O-RING | 251-293 | BEARING |
| 237-79 | O-RING | 251-311 | BEARING-BALL |
| 237-80 | O-RING | 251-312 | BALL BEARING |
| 237-81 | O-RING | 251-318 | BEARING-BALL |
| 237-84 | GROMMET | 251-321 | BEARING-BALL, FLANGED |
| 237-95 | O-RING | 251-327 | BEARING-BALL |
| 237-97 | O-RING | 251-328 | BEARING-BALL |
| 237-99 | O-RING | 251-331 | BEARING |
| 23-9740 | FILTER-OIL, HYDRAULIC | 251-336 | BEARING-BALL |
| 240-11 | BUSHING-FLANGE | 251-337 | BEARING |
| 240-12 | GROMMET | 251-338 | BEARING-BALL |
| 240-3 | GROMMET-RUBBER | 251-342 | BEARING-BALL |
| 240-4 | GROMMET-RUBBER | 251-346 | BEARING-BALL |
| 240-5 | GROMMET | 251-347 | BEARING-BALL |
| 240-7 | GROMMET-RUBBER | 251-352 | BEARING |
| 240-9 | GROMMET | 251-6 | BEARING-BALL |
| 2410-30 | CAP-PLASTIC | 251-77 | COLLAR-LOCK, BEARING |
| 2410-64 | PLUG-BUTTON | 251-8 | BEARING-BALL |
| 241-119 | CAP-DUST | 251-82 | BEARING-BALL |
| 2411-33 | BALLJOINT-RH (W/GROMMET) | 252-6 | BEARING-NEEDLE |
| 2411-36 | BEARING-END, ROD | 252-66 | BEARING-THRUST |
| 2411-38 | JOINT-BALL | 253-111 | SEAL-OIL |
| 2411-40 | END-ROD | 253-117 | SEAL-OIL |
| 2411-41 | ROD END-BALL JOINT | 253-118 | SEAL-OIL |
| 2411-42 | JOINT-BALL, LH | 253-120 | SEAL-OIL |
| 2411-43 | JOINT-BALL | 253-122 | SEAL-OIL |
| 2411-44 | END-ROD | 253-129 | SEAL |
| 2411-46-03 | LH TIE ROD ASM | 253-133 | SEAL-OIL |
| 2412-10 | CLAMP-R | 253-134 | SEAL-GREASE |
| 2412-108 | CLAMP-WORM | 253-137 | OIL SEAL |
| 2412-111 | CLAMP | 253-138 | SEAL-OIL |
| 2412-125 | CLAMP-HOSE | 253-139 | SEAL-OIL |
| 2412-129 | CLAMP-HOSE | 253-141 | SEAL |
| 2412-130 | CLAMP-HOSE | 253-152 | SEAL-OIL |
| 2412-134 | CLAMP-R | 253-154 | SEAL-OIL |
| 2412-137 | CLAMP-R, DOUBLE | 253-159 | SEAL |
| 2412-143 | CLAMP-HOSE | 253-163 | SEAL |
| 2412-146 | CLAMP-HOSE | 253-165 | SEAL-OIL |
| 2412-3 | CLAMP-HOSE | 253-61 | SEAL-OIL |
| 2412-34 | CLAMP-HOSE | 253-70 | SEAL-OIL |
| 2412-36 | CLAMP-HOSE | 253-83 | SEAL-OIL |
| 2412-37 | MUFFLER CLAMP | 253-84 | SEAL-OIL |
| 2412-4 | CLAMP-R | 253-96 | SEAL-OIL |
| 2412-41 | CLAMP-R | 254-106 | CONE-BEARING, TAPERED |
| 2412-73 | CLAMP-R | 254-107 | CUP-BEARING, TAPERED |
| 2412-89 | CLAMP-R | 254-62 | BEARING-ROLLER, CONE |
| 2412-92 | CLAMP-HOSE | 254-65 | BEARING-ROLLER, CONE |
| 2412-94 | CLAMP | 254-66 | CUP-BEARING, ROLLER |
| 2412-98 | CLAMP-HOSE | 254-67 | CUP-BEARING, ROLLER |
| 242-50 | NUT-LUG | 254-68 | CONE-BEARING, ROLLER |
| 24-8840 | RING-RETAINING, WHEEL BEA | 254-72 | BEARING-CUP, TAPERED |

PARTS LIST

| Part Number | Description |
|-------------|-------------------------|
| 254-78 | BEARING-CONE |
| 254-79 | BEARING-ROLLER, CUP |
| 254-86 | LOCKNUT |
| 254-87 | WASHER-LOCK |
| 254-90 | BEARING-CUP |
| 254-91 | CONE-BEARING |
| 254-92 | CONE-BEARING, OUTER |
| 254-94 | BEARING-CONE, TAPERED |
| 256-1 | BUSHING |
| 256-113 | BUSHING-FLANGE |
| 256-115 | WASHER-THRUST |
| 256-150 | 1-1/8IDX1LG FLG BSHG |
| 256-155 | BUSHING-FLANGE |
| 256-156 | BUSHING-FLANGE |
| 256-172 | BUSHING |
| 256-185 | BUSHING |
| 256-2 | BUSHING |
| 256-219 | BUSHING |
| 256-234 | 1.0ID X 1.0LG BUSHING |
| 256-236 | BEARING-MOUNT, FLANGE |
| 256-239 | BEARING-PILLOW BLOCK |
| 256-243 | BEARING-FLANGE |
| 256-251 | BUSHING |
| 256-252 | BEARING-FLANGE |
| 256-254 | BUSHING |
| 256-257 | BUSHING-NYLINER |
| 256-287 | BUSHING |
| 256-292 | BUSHING-FLANGE, NI |
| 256-304 | WASHER-THRUST |
| 256-311 | BUSHING-SPLIT |
| 256-317 | BUSHING |
| 256-42 | BUSHING |
| 256-76 | BUSHING |
| 257-11 | WASHER-THRUST |
| 257-5 | WASHER-THRUST |
| 257-6 | BEARING-THRUST |
| 26-1530-01 | FORK-CASTOR |
| 26-1580 | SPACER 1/2 IN |
| 26-1820 | CAPSCREW |
| 26-1840 | PULLEY-IDLER |
| 26-1990 | WASHER-BELLEVILLE |
| 26-3790 | NUT-LOCK |
| 26-6740 | TEMP RESET RELAY |
| 26-8250-01 | PIN-ARM, LIFT |
| 26-8310-01 | BAIL-LIFT |
| 27-0870 | SPINDLE ASM |
| 27-0920 | SHAFT |
| 27-0950 | SPACER |
| 27-0960 | BEARING ASM |
| 27-0970-03 | PULLEY ASM |
| 27-0990-03 | BLADE-18 INCH |
| 2710-11 | LINK-CHAIN |
| 2710-20 | LINK-OFFSET |
| 2710-31 | LINK-CONNECTING, NO. 35 |
| 27-1040 | SPACER |
| 27-1050 | CASTOR WHEEL |
| 27-1160 | V-BELT |
| 27-1170 | THRUST WASHER |
| 27-1180 | BEARING RETAINER |
| 27-1190 | WHEEL |

| Part Number | Description |
|-------------|--------------------------|
| 27-1200 | SPANNER BUSHING |
| 27-1210 | ROLLER BEARING |
| 27-1970 | HUB-PUMP |
| 27-2060 | REAR UNIT RETURN HOSE |
| 27-2150 | ENGINE MOUNTING PAD |
| 27-2270 | ROD-ADJUSTMENT, BRAKE |
| 27-2320 | BEARING |
| 27-2360 | SWITCH |
| 27-2380 | SPACER |
| 27-2650 | HOC ADJUSTMENT ASM |
| 27-3070 | ENGINE WIRE GRD ASM |
| 27-5170 | SEAT |
| 27-5970 | SPACER-SET, MATCHED |
| 27-6602 | SPACER-COUPLING, RUBBER |
| 27-7180 | CAP |
| 27-9080 | BEARING-FLANGE |
| 28-0670 | SEAL-GREASE |
| 281-3 | PLUG-PIPE, SQH |
| 28-1590 | THROTTLE CONTROL |
| 28-1600 | CHOKE CONTROL |
| 282-2 | YOKE |
| 283-1 | PIN-CLEVIS |
| 283-10 | PIN-CLEVIS |
| 283-14 | PIN-CLEVIS |
| 283-55 | PIN-CLEVIS |
| 283-57 | PIN-CLEVIS |
| 283-61 | PIN-YOKE |
| 283-62 | PIN-CLEVIS |
| 28-3680 | TIRE |
| 283-71 | PIN-LYNCH |
| 283-73 | PIN-CLEVIS |
| 283-8 | PIN-CLEVIS |
| 283-82 | PIN-CLEVIS |
| 283-83 | PIN-CLEVIS |
| 283-88 | PIN-CLEVIS |
| 28-4210 | SOLENOID |
| 285-17 | PLUG-PIPE |
| 28-8720-01 | LONG LIFT BAIL ASM |
| 29-4820 | ROLLER |
| 29-5530-03 | BLADE-STANDARD, 25 INCH, |
| 29-6162 | SWITCH-MICRO |
| 29-6163 | SWITCH-MICRO |
| 29-8870 | WASHER |
| 29-8910 | WASHER |
| 29-9100 | BRUSH AND HANDLE ASM |
| 30001 | MVP KIT-GM228 |
| 30002 | MVP KIT-GM225 |
| 30004 | MVP KIT-MD WORKMAN |
| 30005 | MVP KIT-MID DUTY WORKMAN |
| 30006 | MVP KIT-WORKMAN |
| 30008 | MVP KIT-HYDROJECT |
| 30010 | MVP KIT-GM3000 |
| 30012 | MVP KIT-RM4000 |
| 30014 | MVP KIT-RM6500/6700 |
| 30015 | MVP KIT-RM52/54/5500 |
| 30016 | MVP KIT-RM3100 |
| 30017 | MVP KIT-HD WORKMAN |
| 30018 | MVP KIT-GR3250 |
| 30021 | MVP KIT-GM345 |
| 30022 | MVP KIT-GM328D |

| Part Number | Description | Part Number | Description |
|-------------|---------------------------|-------------|---------------------------|
| 30023 | MVP KIT-GM325 | 304-46 | DRAINCOCK |
| 30024 | MVP KIT-GM580-D | 304-61 | CLAMP-R |
| 30027 | MVP KIT-GM3500 | 31-0750 | ROLLER-FRONT |
| 30028 | MVP KIT-GM455 | 31196 | 800 HOUR MVP MAINTENANCE |
| 30029 | MVP KIT-GM4000/4100 | 3-1506 | BUSHING |
| 30030 | MVP KIT-GM223 | 31609 | GM5900 T4FINAL FLUID FILT |
| 30034 | MVP KIT-GM3280 | 3210-2 | SCREW-HH |
| 30035 | MVP KIT-SANDPRO | 32103-12 | NUT-WING |
| 30036 | MVP KIT-LINE PAINTER | 32103-22 | NUT-WING |
| 30037 | MVP KIT-GM7200/7210 | 3210-4 | SCREW-HH |
| 30038 | MVP KIT-RM5500 | 32104-116 | SCREW-HWHTF |
| 30039 | MVP KIT-RM5210/5410/5510 | 32104-17 | SCREW-HWH |
| 30040 | MVP KIT-RM5610 | 32104-32 | SCREW-HWH |
| 30041 | MVP KIT-GM5900/5910 | 32104-76 | SCREW-HWHTF |
| 30042 | 400 HOUR MAINTENANCE KIT | 32104-95 | SCREW-HWH |
| 30043 | 400 HOUR MAINTENANCE KIT: | 32105-13 | SCREW-HWH |
| 30051 | MVP FILTER KIT-GM3280D (2 | 32105-2 | SCREW-SHWH |
| 30052 | MVP FILTER KIT-GM72000D (| 32105-21 | SCREW-HH |
| 30053 | MVP FILTER KIT-RM3100D (2 | 32108-101 | SCREW-FH |
| 30054 | MVP FILTER KIT-RM5XXX (20 | 32108-20 | SCREW |
| 30055 | MVP FILTER KIT-RM5610D (2 | 32108-9 | SCREW-FH |
| 30056 | MVP FILTER KIT-GM4000D (2 | 321-10 | SCREW-HH |
| 30057 | MVP FILTER KIT-RM6XXXX (2 | 321-11 | SCREW-HH |
| 30058 | MVP FILTER KIT-GM35XXD (2 | 3211-2 | SCREW-HH |
| 30059 | MVP FILTER KIT-GM328D (20 | 3211-4 | SCREW-HH |
| 30061 | MVP FILTER KIT-RM4000D (2 | 3211-40 | SCREW-HH |
| 30062 | MVP FILTER KIT-GR3250D (2 | 321-15 | SCREW-HH |
| 30063 | MVP FILTER KIT-GM580D (20 | 3211-6 | SCREW-HH |
| 30064 | MVP FILTER KIT-GR3150 | 321-18 | SCREW-HH |
| 30065 | MVP KIT-FILTER/SPARK PLUG | 32120-15 | RING-SNAP, EXT |
| 30068 | MVP KIT-400 HOUR,HDX-D 12 | 32120-18 | E-RING |
| 30073 | MVP KIT400 HOUR,WMHDX 12 | 32120-19 | E-RING |
| 30086 | 500 HOUR MAINTENANCE KIT | 32120-22 | RING-SNAP, INTERNAL |
| 30089 | MVP KIT-GM4XXX, 800 HR YA | 32120-37 | RING-RETAINING |
| 30090 | 400 HOUR MVP FILTER KIT-R | 32120-47 | RING-RETAINING, EXTERNAL |
| 30091 | 800 HOUR MVP KIT-RM5410G/ | 32120-62 | RING-RETAINING |
| 30093 | 800 HOUR MVP KIT-RM5410D/ | 32120-72 | RING-SNAP |
| 30097 | MVP KIT-FILTER/SPARK PLUG | 32120-84 | RING-SNAP, EXTERNAL |
| 3-0144 | SHAFT | 32120-93 | RING-RETAINING |
| 302-11 | FITTING-LUBE, 45 DEG | 32121-11 | PIN-ROLL |
| 302-14 | VENT | 32121-110 | PIN-ROLL, SLOTTED |
| 302-18 | FITTING-GREASE | 32121-111 | PIN-ROLL |
| 302-2 | FITTING-GREASE | 32121-112 | SPIROL PIN 1/4" X 1.25" |
| 302-33 | FITTING-GREASE | 32121-12 | PIN-ROLL |
| 302-34 | FITTING-LUBE | 32121-122 | PIN-ROLL |
| 302-39 | FITTING-PLUG | 32121-123 | PIN-ROLL |
| 302-40 | FITTING-GREASE, 90 DEG | 32121-15 | PIN-ROLL |
| 30245 | MVP KIT - GM3500 (KUBOTA | 32121-16 | PIN-SPRING |
| 30246 | MVP KIT-GM3500-G (KUBOTA | 32121-2 | PIN-ROLL, SLOTTED |
| 30247 | MVP FILTER KIT - RM5010-H | 32121-24 | PIN-SPRING |
| 30248 | MVP KIT 400HR WORKMAN HDX | 32121-3 | PIN-SPRING |
| 30249 | MVP KIT 400HR WORKMAN HDX | 32121-32 | PIN-ROLL |
| 302-5 | FITTING-GREASE | 32121-34 | PIN-ROLL |
| 302-57 | FITTING-GREASE | 32121-35 | PIN-ROLL |
| 302-60 | FITTING-GREASE | 32121-36 | PIN-SPRING |
| 30261 | 400 HOUR MVP KIT, GM360 7 | 32121-44 | PIN-ROLL |
| 30262 | GM3280 MVP KIT (MY16 AND | 32121-45 | PIN-SPRING |
| 302-62 | FITTING-GREASE | 32121-50 | PIN-SPRING |
| 3-0312 | GASKET | 32121-51 | PIN-ROLL |
| 30408 | MVP KIT-GM4XXX, 800 HR YA | 32121-6 | PIN-ROLL, SLOTTED |

PARTS LIST

| Part Number | Description |
|-------------|--------------------------|
| 32121-67 | PIN-SPRING |
| 32121-69 | PIN-SPRING |
| 32121-73 | PIN-ROLL |
| 321-23 | SCREW-HH |
| 32128-12 | NUT-LOCK, FLANGE |
| 32128-15 | NUT-LOCK, FLANGE |
| 32128-16 | NUT-HHF |
| 32128-19 | NUT-HF |
| 32128-20 | NUT-HF |
| 32128-21 | NUT-HF |
| 32128-23 | NUT-HF |
| 32128-25 | NUT-HF |
| 32128-32 | NUT-HHF |
| 32128-33 | NUT-HF |
| 32128-36 | NUT-HF |
| 32128-37 | NUT-HF |
| 32128-43 | NUT-FLANGE |
| 32128-48 | NUT-LOCK, HHF |
| 32128-49 | NUT-HHF |
| 32128-54 | NUT-HF |
| 321-3 | SCREW-HH |
| 3213-1 | SCREW-HH |
| 3213-2 | SCREW-HH |
| 3213-20 | SCREW-HH |
| 32136-2 | NUT-SHH |
| 32136-9 | NUT-HEX, SLOTTED |
| 3213-8 | SCREW-HH |
| 321-4 | SCREW-HH |
| 32140-94 | SCREW-HH, SEMS |
| 32141-111 | NUT-ADJUSTING |
| 32141-36 | SCREW-ADJUSTMENT, LEVEL |
| 32144-1 | SCREW-TAPTITE |
| 32144-10 | SCREW-HWH |
| 32144-14 | SCREW-HWHTF |
| 32144-18 | SCREW-HWH |
| 32144-4 | SCREW-HWH |
| 32144-44 | SCREW-HWH, THREAD ROLL |
| 32144-57 | SCREW |
| 32146-13 | NUT-HEX |
| 32146-20 | NUT-HEX |
| 32148-5 | NUT-INSERT |
| 32149-2 | NUT-KEPS |
| 321-5 | SCREW-HH |
| 32151-104 | RING-RETAINING, EXTERNAL |
| 32151-12 | RING-RETAINING |
| 32151-36 | RING-RETAINING |
| 32151-47 | RING-RETAINING |
| 32151-60 | RING-SNAP |
| 32151-61 | RING-RETAINING |
| 32151-62 | RING-RETAINING |
| 32151-71 | RING-RETAINING, INTERNAL |
| 32151-77 | RING-RETAINING, EXTERNAL |
| 32151-92 | RING-RETAINING |
| 32152-1 | NUT-LOCK, CONE |
| 32152-4 | NUT-LOCK, CONE |
| 32153-5 | NUT-HEX |
| 32153-6 | NUT-LOCK |
| 321-6 | SCREW-HH |
| 3216-16 | SCREW-HH |
| 3217-5 | NUT-HEX |

| Part Number | Description |
|-------------|------------------|
| 3217-6 | NUT-HEX |
| 3217-7 | NUT-HEX |
| 3217-8 | NUT-HEX |
| 3217-9 | NUT-HH |
| 32180-030 | CLIP-TIE |
| 3218-1 | NUT-JAM |
| 3218-13 | NUT-JAM, BRASS |
| 3218-18 | NUT-JAM |
| 3218-2 | NUT-JAM |
| 3218-3 | NUT-JAM |
| 3218-5 | NUT-JAM |
| 3218-7 | NUT-JAM |
| 3219-1 | NUT-HEX |
| 3219-10 | NUT-HEX |
| 3219-14 | NUT-HEX |
| 3219-2 | NUT-HEX |
| 3219-3 | NUT-HEX |
| 3219-5 | NUT-HEX |
| 3-2198 | HOOK |
| 3220-1 | NUT-JAM |
| 3220-12 | NUT-HEX JAM LH |
| 3220-18 | 1-1/8-12 JAM NUT |
| 3220-2 | NUT-JAM |
| 3220-20 | NUT-JAM |
| 3220-25 | NUT-JAM |
| 3220-26 | NUT-JAM |
| 3220-3 | NUT-HJ |
| 3220-5 | NUT-JAM |
| 3220-6 | NUT-JAM |
| 3220-7 | NUT-JAM |
| 322-1 | SCREW-HH |
| 322-10 | SCREW-HH |
| 322-11 | SCREW-HH |
| 322-12 | SCREW-HH |
| 322-14 | SCREW-HH |
| 322-16 | SCREW-HH |
| 322-17 | SCREW-HH |
| 322-2 | SCREW-HH |
| 322-20 | SCREW-HH |
| 322-23 | SCREW-HH |
| 322-29 | SCREW-HH |
| 322-3 | SCREW-HH |
| 322-4 | SCREW-HH |
| 322-42 | SCREW-HH |
| 322-5 | SCREW-HH |
| 322-6 | SCREW-HH |
| 322-7 | SCREW-HH |
| 322-8 | SCREW-HH |
| 322-9 | SCREW-HH |
| 3229-1 | BOLT-CARR |
| 3229-11 | SCREW-CARR |
| 3229-2 | SCREW-CARR |
| 3229-20 | SCREW-CARR |
| 3229-34 | SCREW-CARR |
| 3230-1 | BOLT-CARR |
| 3230-2 | BOLT-CARR |
| 3230-22 | SCREW-CARR |
| 3230-23 | SCREW-CARR |
| 3230-26 | SCREW-CARR |
| 3230-30 | SCREW-CARR |

| Part Number | Description |
|-------------|------------------------|
| 3230-5 | BOLT-CAR |
| 3230-6 | BOLT-CARR,FULL THRD |
| 3230-7 | BOLT-CARR |
| 323-10 | SCREW-HH |
| 323-11 | SCREW-HH |
| 3231-2 | BOLT-CARR |
| 323-12 | SCREW-HH |
| 3231-21 | SCREW-CARR |
| 3231-22 | SCREW-CARR |
| 3231-25 | BOLT-CARR |
| 3231-27 | SCREW-CARR |
| 323-13 | SCREW-HH |
| 3231-33 | SCREW-CARR |
| 3231-4 | SCREW-CARR |
| 323-14 | SCREW-HH |
| 3231-5 | SCREW-CARR |
| 323-15 | SCREW-HH |
| 323-17 | SCREW-HH |
| 323-19 | SCREW-HH |
| 323-2 | SCREW-HH |
| 323-20 | SCREW-HH |
| 323-23 | SCREW-HH |
| 323-29 | SCREW-HH |
| 3233-26 | SCREW-CARR, SHORT NECK |
| 323-4 | SCREW-HH |
| 3234-1 | SCREW-HHF |
| 3234-11 | SCREW-HHF |
| 3234-12 | SCREW-HHF |
| 3234-13 | SCREW-HHF |
| 3234-14 | SCREW-HHF |
| 3234-17 | SCREW-HHF |
| 3234-18 | SCREW-HHF |
| 3234-19 | SCREW-HHF |
| 3234-24 | SCREW-HHF |
| 3234-27 | SCREW-HHF |
| 3234-29 | SCREW-HHF |
| 3234-32 | SCREW-HHF |
| 3234-33 | SCREW-HHF |
| 3234-34 | SCREW-HHF |
| 3234-36 | SCREW-HHF |
| 3234-38 | SCREW-HHF |
| 3234-4 | SCREW-HHF |
| 3234-42 | SCREW-HHF |
| 3234-5 | SCREW-HHF |
| 3234-6 | SCREW-HHF |
| 3234-7 | SCREW-HHF |
| 323-49 | BOLT-TAP |
| 323-5 | SCREW-HH |
| 323-50 | BOLT-HH |
| 323-52 | SCREW-HH |
| 323-53 | SCREW-HH |
| 323-58 | BOLT-TAP, HH |
| 323-6 | SCREW-HH |
| 323-7 | SCREW-HH |
| 323-8 | SCREW-HH |
| 323-9 | SCREW-HH |
| 324-10 | SCREW-HH |
| 324-13 | SCREW-HH |
| 3241-5 | SCREW-SET |
| 3241-6 | SCREW-SQH |

| Part Number | Description |
|-------------|-----------------------|
| 3241-7 | SCREW-SQH |
| 3242-1 | SCREW-SQH |
| 3242-2 | SCREW-SQH |
| 3242-4 | SCREW-SET, SQH |
| 324-25 | SCREW-HH |
| 3242-9 | 5/16-18X1-3/4 SQ H SS |
| 3243-1 | SCREW-SET |
| 3243-13 | SCREW-SET, SQH |
| 324-5 | SCREW-HH |
| 3245-1 | SCREW-SET, HSH |
| 3245-35 | SCREW-SET, HSH |
| 3245-42 | SCREW-SET |
| 324-6 | SCREW-HH |
| 3246-17 | SETSCREW-HSH |
| 3246-2 | SCREW-SET, HSH |
| 324-7 | SCREW-HH |
| 324-8 | SCREW-HH |
| 3249-3 | SCREW-PRH |
| 3250-13 | SCREW-PPH |
| 3250-36 | SCREW-PPH |
| 325-10 | SCREW-HH |
| 325-11 | SCREW-HH |
| 325-12 | SCREW-HH |
| 325-13 | SCREW-HH |
| 325-14 | SCREW-HH |
| 325-17 | SCREW-HH |
| 325-18 | SCREW-HH |
| 325-19 | SCREW-HH |
| 325-2 | SCREW-HH |
| 325-22 | SCREW-HH |
| 3252-4 | 10-24 X 3/4 FIL HD MS |
| 3253-17 | WASHER-LOCK |
| 3253-21 | WASHER-LOCK |
| 3253-3 | WASHER-LOCK |
| 3253-4 | WASHER-LOCK |
| 3253-5 | WASHER-LOCK |
| 3253-6 | WASHER-LOCK |
| 3253-7 | WASHER-LOCK |
| 3253-8 | WASHER-LOCK |
| 325-4 | SCREW-HH |
| 3254-1 | WASHER-LOCK, INT |
| 3254-17 | WASHER-LOCK |
| 3254-2 | WASHER-LOCK, INTERNAL |
| 3254-21 | WASHER-LOCK/INT |
| 3254-4 | WASHER-LOCK/INT |
| 3254-6 | WASHER-LOCK, INTERNAL |
| 3254-8 | WASHER-LOCK |
| 325-5 | SCREW-HH |
| 3255-16 | WASHER-LOCK/EXT |
| 3255-7 | WASHER-LOCK/EXT |
| 3255-8 | WASHER-LOCK |
| 3255-9 | WASHER-LOCK |
| 325-6 | SCREW-HH |
| 3256-1 | WASHER-FLAT |
| 3256-14 | WASHER-FLAT |
| 3256-15 | WASHER-FLAT |
| 3256-16 | WASHER-FLAT |
| 3256-2 | WASHER-FLAT |
| 3256-22 | WASHER-FLAT |
| 3256-23 | WASHER-PLAIN |

PARTS LIST

| Part Number | Description |
|-------------|-------------------|
| 3256-24 | WASHER-FLAT |
| 3256-25 | WASHER-FLAT |
| 3256-26 | WASHER-FLAT |
| 3256-28 | WASHER-FLAT |
| 3256-3 | WASHER-FLAT |
| 3256-35 | WASHER-FLAT |
| 3256-38 | WASHER-FLAT |
| 3256-4 | WASHER-FLAT |
| 3256-42 | WASHER-FLAT |
| 3256-45 | WASHER-FLAT |
| 3256-46 | WASHER-FLAT |
| 3256-49 | WASHER-PLAIN |
| 3256-5 | WASHER-FLAT |
| 3256-51 | WASHER-FLAT |
| 3256-56 | WASHER-FLAT |
| 3256-6 | WASHER-FLAT |
| 3256-67 | WASHER |
| 3256-69 | WASHER-FLAT |
| 3256-74 | WASHER-FLAT |
| 3256-78 | WASHER-FLAT |
| 3256-82 | WASHER-FLAT |
| 325-7 | SCREW-HH |
| 3257-3 | KEY-WOODRUFF |
| 3257-32 | KEY-WOODRUFF |
| 3257-33 | KEY-WOODRUFF |
| 3257-42 | KEY-WOODRUFF |
| 3257-5 | KEY-WOODRUFF |
| 325-8 | SCREW-HH |
| 3258-166 | SCREW-PRH |
| 3262-3 | RIVET-BUTTON HEAD |
| 3269-23 | RIVET-POP |
| 3269-28 | RIVET-POP |
| 3269-3 | RIVET-POP |
| 3269-4 | RIVET-POP |
| 3269-8 | RIVET-BLIND |
| 327-15 | SCREW-HH |
| 327-17 | SCREW-HH |
| 3272-1 | PIN-COTTER |
| 3272-10 | PIN-COTTER |
| 3272-11 | PIN-COTTER |
| 3272-12 | PIN-COTTER |
| 3272-16 | PIN-COTTER |
| 3272-19 | PIN-COTTER |
| 3272-23 | PIN-COTTER |
| 3272-37 | PIN-COTTER |
| 3272-4 | PIN-COTTER |
| 327-24 | SCREW-HH |
| 327-25 | SCREW-HH |
| 3272-6 | PIN-COTTER |
| 3272-7 | PIN-COTTER |
| 3273-14 | SCREW-HSH |
| 3274-1 | SCREW-HSH |
| 3274-105 | SCREW-HSBH |
| 3274-12 | SCREW-HSH |
| 3274-31 | SCREW-HSBH |
| 3274-39 | SCREW-HSBH |
| 3274-5 | SCREW-HSH |
| 3274-52 | SCREW-HSH |
| 3274-69 | SCREW-HSBH |
| 3274-7 | SCREW-HSH |

| Part Number | Description |
|-------------|-------------------|
| 3274-74 | SCREW-HSH |
| 3274-80 | SCREW-HH |
| 3274-93 | SCREW-HSH |
| 3274-99 | SCREW-HSH |
| 327-7 | SCREW-HH |
| 3283-1 | PIN-GROOVED |
| 328-9 | SCREW-HH |
| 3290-125 | SCREW-SET,HSH |
| 3290-133 | SCREW |
| 3290-134 | SCREW |
| 3290-237 | SLOT HD SCREW |
| 3290-244 | WASHER-LOCK |
| 3290-271 | RIVET-POP |
| 3290-317 | WASHER-SPRING |
| 3290-321 | SCREW-HWH |
| 3290-334 | PYRAMIDAL WASHER |
| 3290-343 | PIN-HAIR |
| 3290-355 | PIN-HAIR |
| 3290-357 | NUT-HHF, WHIZ |
| 3290-360 | SCREW-HH |
| 3290-378 | TIE-CABLE |
| 3290-379 | TIE-CABLE |
| 3290-382 | RIVET-POP |
| 3290-384 | PIN-LYNCH |
| 3290-440 | WASHER-BELLEVILLE |
| 3290-450 | WASHER-BELLEVILLE |
| 3290-467 | PIN-HAIR |
| 3290-477 | WASHER-CURVED |
| 3290-485 | WASHER-WAVE |
| 3290-495 | PIN-KLIK |
| 3290-55 | RIVET-POP |
| 329-1 | SCREW-HH |
| 329-2 | SCREW-HH |
| 3295-46 | RIVET |
| 32-9610 | ROLLER SHAFT |
| 3296-12 | NUT-LOCK, NI |
| 3296-15 | NUT-LOCK, NI |
| 3296-16 | NUT-LOCK, NI |
| 3296-19 | NUT-HEX |
| 3296-2 | NUT-LOCK, NI |
| 3296-23 | NUT-LOCK, NI |
| 3296-25 | NUT-LOCK, NI |
| 3296-26 | NUT-LOCK, NI |
| 3296-28 | NUT-LOCK, NI |
| 3296-29 | NUT-LOCK, NI |
| 3296-33 | NUT-LOCK, NI |
| 3296-39 | NUT-LOCK, NI |
| 3296-4 | NUT-LOCK |
| 3296-42 | NUT-LOCK, NI |
| 3296-45 | NUT-HEX |
| 3296-47 | NUT-LOCK, NI |
| 3296-48 | NUT-LOCK, NI |
| 3296-49 | NUT-LOCK, NI |
| 3296-5 | NUT-HEX |
| 3296-50 | NUT-LOCK, NI |
| 3296-51 | NUT-LOCK, NI |
| 3296-53 | NUT-LOCK, NI |
| 3296-56 | NUT-LOCK, NI |
| 3296-57 | NUT-LOCK, NI |
| 3296-6 | NUT-LOCK |

| Part Number | Description | Part Number | Description |
|-------------|--------------------------|-------------|--------------------------|
| 3296-60 | NUT-LOCK, NI | 340-103 | FITTING-HYD, 45 DEG |
| 3296-62 | NUT-LOCK, NI | 340-105 | FITTING-ELBOW, 90 DEG |
| 3296-67 | NUT-LOCK, NI | 340-109 | FITTING-TEE |
| 3296-8 | NUT-HEX | 340-126 | NUT-BULKHEAD |
| 3296-9 | NUT-HEX | 340-127 | NUT-BULKHEAD |
| 33003-00 | NUT-HF | 340-128 | NUT-BULKHEAD |
| 33004-00 | NUT-HF | 340-129 | FITTING-ELBOW, 90 DEG |
| 33014-00 | NUT-HEX | 340-132 | FITTING-ELBOW, 90 DEG |
| 33023-00 | NUT-LOCK | 340-136 | O-RING |
| 33024-00 | NUT-LOCK, NI | 340-138 | FITTING-HYD, 45 DEG |
| 33025-00 | NUT-LOCK, NI | 340-139 | FITTING-ELBOW 90 |
| 33026-00 | NUT-HEX | 340-14 | FITTING-HYD, 45 DEG |
| 33028-00 | NUT-LOCK, NI | 340-142 | FITTING-ELBOW-90 |
| 33-0630 | BRUSH | 340-154 | UNION-BULKHEAD |
| 33093-00 | WASHER-FLAT | 340-156 | FITTING-ELBOW 45 |
| 33094-00 | WASHER-PLAIN | 340-157 | FITTING-HYD, TEE |
| 33098-00 | WASHER-FLAT | 340-16 | FITTING-HYD, 90 DEG |
| 33-1000 | SCRAPER BRUSH ASM | 340-17 | FITTING-ELBOW, 90 DEG |
| 33103-012 | SCREW-HHF | 340-18 | FITTING-HYD, 90 DEG |
| 33103-020 | SCREW-HHF | 340-2 | FITTING-STRAIGHT |
| 33103-040 | SCREW-HHF | 340-3 | FITTING-STRAIGHT |
| 33103-045 | SCREW-HHF | 340-4 | FITTING-STRAIGHT |
| 33104-020 | SCREW-HHF | 340-6 | FITTING-STRAIGHT |
| 33104-040 | SCREW-HHF | 340-65 | O-RING |
| 33105-025 | SCREW-HHF | 340-68 | FITTING-TEE, BULKHEAD |
| 33105-030 | SCREW-HHF | 340-7 | FITTING-STRAIGHT |
| 33113-008 | SCREW-HH | 340-70 | NUT-LOCK |
| 33113-012 | SCREW-HH | 340-72 | FITTING-BULKHEAD, 90 DEG |
| 33113-025 | SCREW-HH | 340-74 | NUT-LOCK, BULKHEAD |
| 33113-030 | SCREW-HH | 340-77 | FITTING-ELBOW, 90 DEG |
| 33114-010 | SCREW-HH | 340-78 | NUT-LOCK |
| 33114-016 | SCREW-HH | 340-82 | FITTING-ELBOW, 90 DEG |
| 33114-020 | SCREW-HH | 340-86 | FITTING-TEE |
| 33114-025 | SCREW-HH | 340-87 | FITTING-ELBOW, 45 DEG |
| 33114-030 | SCREW-HH | 340-88 | FITTING-STRAIGHT |
| 33114-035 | SCREW-HH | 340-89 | FITTING-HYD, 45 DEG |
| 33114-040 | SCREW-HH | 340-92 | FITTING-STRAIGHT |
| 33114-060 | SCREW-HH | 340-98 | FITTING-ELBOW, 90 DEG |
| 33115-016 | SCREW-HH | 3-4160 | LH IDLER RING ASM |
| 33115-020 | SCREW-HH | 3-4170 | RH IDLER RING ASM |
| 33115-025 | SCREW-HH | 3-4244 | PULLEY-IDLER |
| 33115-030 | SCREW-HH | 353-212 | FITTING-ELBOW, 45 DEG |
| 33115-050 | SCREW-HH | 353-384 | FITTING-STRAIGHT |
| 33115-080 | SCREW-HH | 353-426 | FITTING-90 DEG |
| 33118-045 | SCREW-HH | 353-427 | FITTING-45 DEG |
| 33118-140 | SCREW-HH | 353-461 | HYD MOTOR SEAL KIT |
| 33123-016 | SCREW-CARR | 353-511 | FITTING-HYD, 90 DEG |
| 33124-025 | SCREW-CARR | 353-515 | SEAL & RET KIT |
| 33125-025 | SCREW-CARR | 353-528 | SEAL KIT |
| 33125-030 | SCREW-CARR | 353-550 | PLUG-HYD, HH |
| 33125-045 | SCREW-CARR | 353-564 | FITTING-90 DEG |
| 33126-045 | SCREW-CARR | 353-743 | LOAD SEAL KIT |
| 33-3090 | BUSHING | 353-781 | FITTING-HYD, 90 |
| 3334-945 | TIE-CABLE | 353-783 | FITTING-STR |
| 3-3891 | FINGER-THROWOUT, LH | 353-877 | FITTING-HYD, TEE |
| 3-3892 | BEARING-FINGER, THROWOUT | 353-949 | O-RING |
| 3-3904 | FINGER-THROWOUT, RH | 353-957 | CUP-SEAL |
| 340-1 | FITTING-STRAIGHT | 353-979 | FITTING-STR |
| 3-4010 | BUSHING ASM | 353-987 | FITTING-ELBOW, 90 |
| 340-101 | FITTING-HYD, 45 DEG | 353-988 | PLUG-HEX |

PARTS LIST

| Part Number | Description |
|-------------|---------------------------|
| 353-990 | PLUG ASM |
| 354-120 | FITTING-ELBOW, 90 |
| 354-121 | FITTING-STR |
| 354-126 | FITTING-ELBOW, 45 |
| 354-136 | FITTING-STR |
| 354-73 | FITTING |
| 354-78 | FITTING-STR |
| 354-79 | CAP-DUST |
| 360-0398 | O-RING |
| 361-1 | APPLE RED SPRAY PAINT |
| 361-10 | TORO RED 12OZ AEROSOL CAN |
| 36-1740 | ROLLER-DECK |
| 3-6498 | WASHER-THRUST |
| 3-6573 | BEDKNIFE-SERVICE ONLY |
| 3-6685 | SPRING |
| 36-7190 | GRASS SHIELD ASM |
| 36-7250 | GM-3 GRASS BASKET |
| 36-7260 | BAR-OFF, CUT |
| 36-7420 | BEARING-BALL |
| 3-6775 | WASHER |
| 3-6776 | SPACER |
| 3-6777 | WASHER |
| 3-6778 | AXLE SLINGER |
| 3-6781 | WASHER-THRUST |
| 37-2760-01 | PIN-LIFT, BAIL |
| 37-3490-01 | BRACKET-DRAWBAR |
| 3-7442 | LOWER WASHER |
| 3-7445 | STUD-RING, RATCHET |
| 37-6730 | CUP-BEARING |
| 37-8030-03 | PUMP MOUNT |
| 38-0410 | NUT-HEX |
| 38-3400 | GUARD-RUBBER |
| 3-8386 | NUT-PINION, REEL |
| 3-8448 | WASHER-THRUST |
| 3-8514 | WASHER-THRUST |
| 38-5250 | PUMP-VALVE HOSE |
| 38-7330 | SHIELD WASHER |
| 38-7420 | BEDKNIFE, RM |
| 38-7820 | BEARING-BALL |
| 3-9116 | SHAFT-IDLER PINION, RH |
| 3-9117 | SHAFT-IDLER PINION, LH |
| 3-9280-01 | DRAWBAR |
| 39-9590 | ROLLER ASM |
| 40-0340 | SHAFT-ROLLER, REAR |
| 40-0370-01 | FRT CASTOR FRK WA |
| 40-3760-03 | BLADE-18" |
| 40-6400 | SHAFT-ROLLER |
| 40998 | SEAT-GASKET |
| 40999 | CLAMP |
| 411024 | BELT VARIATOR 520 |
| 41480 | VALVE - 1 IN MOTORIZED CT |
| 41679 | BELT - DRIVE |
| 41-9150 | V-BELT, TORQUE TEAM |
| 42-1910 | PLATE WA |
| 42-1940 | RAKE PRONG |
| 4-2219 | REEL ASM |
| 42-4790-01 | RH MOUNT WA |
| 42-4800-01 | SCRAPER ASM |
| 42-4820 | ROLLER SCRAPER KIT |
| 42-9030 | FILTER-OIL |

| Part Number | Description |
|-------------|---------------------------|
| 42-9100 | V-BELT, FAN |
| 43-0090 | SCREW-HH |
| 43-1820 | FUEL FILTER |
| 43-2550 | FILTER-PUMP |
| 43-2830 | NUT-HEX |
| 43-3860 | SHAFT-PIVOT, PTO |
| 43-3990 | CONTROL-THROTTLE |
| 43-5910 | FAN BELT |
| 43-5930 | WASHER-LOCK, SPRING |
| 43-6810 | SPIDER-TORQUE |
| 44-0870 | CAM SHAFT ASM |
| 44-2200 | SCREW-BLADE |
| 44-2500 | HYD OIL DYE (RED) |
| 44-5480 | BLADE-HIGH SAIL |
| 44-5560 | HEAD-FILTER, OIL |
| 44-6250-03 | BLADE-21.5 INCH |
| 44-6260 | V-BELT |
| 44-6340 | PULLEY AND HUB ASM |
| 44-6370 | SPINDLE ASM |
| 44-8990 | V-BELT |
| 4-5189-01 | ROLLER AND END CAP ASM |
| 46-0430 | NUT-LOCK |
| 46-6560 | BUSHING |
| 46-7510 | HOOD-INLET, AIR |
| 46-8530 | BEARING ASM |
| 46-8560 | SCREW-HHFTF |
| 47-2380 | KEY-SQUARE |
| 47-2890 | BUSHING |
| 47-4060-01 | COVER-CASE, GEAR ASM |
| 47-4080-01 | BEDBAR ASM |
| 47-4250 | SLEEVE-WEAR |
| 47-4260 | SLINGER-GRASS |
| 47-4300-01 | HANDLE ASM |
| 47-4380 | NUT-ROLLER, RH |
| 47-4390 | NUT-ROLLER, LH |
| 47-4400 | ARM-SPRING |
| 47-4410 | HOUSING-RETAINER |
| 47-4420 | SPACER-SLEEVE, ADJUSTMENT |
| 47-4430 | BUSHING-FLANGED |
| 47-4440 | WASHER-PLASTIC |
| 47-4450 | BOLT-SHOULDER |
| 47-4460 | BOLT-SHOULDER, ECC |
| 47-4470 | RETAINER-RATCHET RING, RH |
| 47-4480 | RETAINER-RATCHET RING, LH |
| 47-4490 | PINION-REEL |
| 47-4510 | SHAFT-ADJUSTING |
| 47-4530 | RETAINER-DRAWBAR |
| 47-5320-01 | LEVER |
| 47-5640 | SPACER-RUBBER |
| 47-6680 | BEDKNIFE, RM (FAIRWAY) |
| 47-7140 | PULLEY-DRIVEN |
| 47-7150 | PULLEY-DRIVE |
| 47-7160 | BELT |
| 47-7170 | GASKET-COVER |
| 47-7510 | WASHER-NYLON |
| 48-7430 | PRECLEANER |
| 48-8880 | PIN-DOWEL |
| 48-9020 | BOLT-SHOULDER |
| 48-9050 | SHIELD-PLATE, DRIVE |
| 48-9071-01 | COVER-DRIVE HOUSING, RH |

| Part Number | Description |
|-------------|---------------------------|
| 48-9081-01 | COVER-DRIVE HOUSING, LH |
| 48-9220 | WASHER-PLAIN |
| 48-9590 | WASHER-LOCK |
| 49-0390 | SPACER |
| 49-2040 | SCREW-HWHTF |
| 49-4100 | SHAFT-AXLE, STUB |
| 49-5430 | ROD-CONTROL |
| 49-5880 | SHAFT-SUPPORT, SEAT |
| 49-5900 | STEERING WHEEL ASM |
| 49-5960 | STEERING CABLE |
| 49-6020 | THROTTLE CONTROL |
| 49-6110-01 | GUARD-ROD, TRANSMISSION |
| 49-6120 | PAD-FOOTREST |
| 49-6200-01 | LEVER-CUTTING |
| 49-6220 | BRACKET-ARM, CONTROL |
| 49-6250 | BRACKET-PIVOT |
| 49-6260 | PIVOT ASM |
| 49-6290 | PIVOT SHAFT ASM |
| 49-6440-03 | PEDAL-FORWARD |
| 49-7660 | BEDKNIFE, RM |
| 49-8320 | BEARING ASM |
| 5-0652 | SPACER |
| 5-0698 | KEY |
| 5-0946 | KEY-SQUARE |
| 51-0350 | PIN-SPRING, SEAT |
| 51-0600 | HOSE ASM |
| 51-0680 | THROTTLE CONTROL |
| 51-0700 | MUFFLER ASM |
| 51-0780 | SLIDER-SEAT |
| 51-0790 | ADJUSTER-SEAT, LH |
| 5108 | VALVE |
| 51-0830 | ADJ SHIELD |
| 51-0840 | PIVOT TUBE *R |
| 5-1090 | DRAWBAR CLAMP -PLT |
| 5-1091 | SPACER |
| 5-1226 | WASHER |
| 51-2550 | TIRE (18X4-12) SEMI-PNEUM |
| 5-1382 | FRONT ROLLER ASM |
| 5-1393 | SHAFT-REEL |
| 51-4060 | SCREW-BLADE |
| 5-1457 | GEAR-WHEEL, DRIVE |
| 5-1460 | COVER-PINION, REEL |
| 5-1461 | KNIFE BAR PIVOT |
| 5-1463 | PINION-REEL |
| 5-1464-03 | HANDLE-RATCHET, THROWOUT |
| 5-1468-01 | PNEU. WHEEL HUB |
| 5-1470 | SCREW-HH |
| 5-1706 | SPRING-EXTENSION |
| 52-1460 | GRND.CABLE |
| 52-2480 | SPACER-WHEEL |
| 52-2860 | WASHER |
| 52-2890 | BUSHING-NYLON |
| 52-2891 | BUSHING-FLANGED, NYLON |
| 52-2900 | WASHER-PLASTIC |
| 52-2910 | BOLT-ECCENTRIC |
| 52-2920 | PIVOT-BEDBAR |
| 52-2930 | BOLT-SHOULDER |
| 52-2980 | S.P.A. PIVOT |
| 52-2990 | SPRING RET CAPSCREW |
| 52-3000 | SPRING ARM |

| Part Number | Description |
|-------------|---------------------------|
| 52-3100 | BOLT-HOC ECCENTRIC, LH |
| 52-3110 | BOLT-HOC SHOULDER, RH |
| 52-3120 | ROLLER ASM |
| 52-3170 | FULL FRONT ROLLER ASM |
| 52-3180 | BEARING-ROLLER, FRONT |
| 52-3200 | WIEHLE ROLLER ASM |
| 52-3590 | SWAGED ROLLER ASM |
| 5-2653 | PULLEY ASM |
| 5-2673 | AXLE SHAFT |
| 5-2942 | SHACKLE |
| 5-3137 | SPACER TUBE BUSHING |
| 5-3256 | PNEUMATIC TIRE DISC |
| 5-3257 | PNEUMATIC TIRE DISC |
| 5-3820 | OIL SEAL |
| 5-3889 | AXLE SPACER TUBE ASM *R |
| 53-9250 | ROLLR SCRPR BRKT |
| 5-3934 | BOLT-CASTER |
| 53-9682 | MOUNT-ENGINE |
| 54-0010-03 | BLADE |
| 54-0110 | FILTER-OIL, TRANSMISSION |
| 5-4038 | WEAR SLEEVE |
| 5-4373 | SPRING |
| 5-4523 | SLEEVE |
| 5-4527 | WASHER-THRUST |
| 54-8810 | 10-INCH PNEUMATIC CASTOR |
| 54-9180 | U-JOINT KIT |
| 54-9510 | MOTOR-HYD, WITH BY-PASS |
| 55-7660 | V-BELT |
| 560031W | ROLLER REAR W/A HARRIER 5 |
| 56-6220 | BEARING |
| 56-6230 | BEARING-ROLLER |
| 56-6360 | FILTER-FUEL |
| 56-7960 | TIRE (11-15) 8-PLY |
| 56-7970 | CLAMP-TUBE |
| 56-7971 | CLAMP-TUBE |
| 56-7972 | CLAMP-TUBE |
| 56-7973 | CLAMP-TUBE |
| 56-7976 | CLAMP-TUBE |
| 56-9510 | BUSHING ASM |
| 56-9520 | BUSHING-FLANGED |
| 57-0240 | V-BELT |
| 57-0260 | SPINDLE ASM |
| 57-0680 | SHAFT-ROLLER |
| 57-0690 | PIN-SPECIAL |
| 57-3210 | SCREW |
| 57-4940-01 | BEDBAR |
| 57-5190 | SCREW-SET, HSH |
| 57-5200 | GRASS SHIELD ASM |
| 57-5210 | SHIELD FLAP |
| 57-5270 | SPRING-COMPRESSION |
| 57-5280 | BRG CUP & CONE RET |
| 57-6140 | CLAMP-TUBE, HALF |
| 57-6220 | LINK-CONNECTING |
| 57-6390 | NUT-JAM |
| 57-7650 | SPRING-TORSION |
| 57-8580 | FILTER |
| 57-9340 | SPARK PLUG |
| 57-9910 | PIVOT SCREW |
| 58-3850 | CABLE |
| 58-4250 | CATCH-MAGNETIC |

PARTS LIST

| Part Number | Description |
|-------------|---------------------------|
| 58-5740 | HOSE ASM |
| 58-5750 | HOSE ASM |
| 58-5780 | HOSE ASM |
| 58-5790 | HOSE ASM |
| 59-2080 | ROLLER CHAIN |
| 59-2090 | ROLLER CHAIN |
| 59-2500-03 | BLOCK |
| 59-2580 | SPACER-TUBULAR |
| 59-3670 | TINE-HOLLOW, 5/8 X 4.75 |
| 59-4200 | V-BELT |
| 59-5470-01 | BEDBAR-5 AND 7 BLADE |
| 59-5560 | CAP-DUST |
| 59-5570 | ADJ PIN |
| 59-5580-01 | HANDLE ASM |
| 59-5630 | ROLLER ASM |
| 59-5690 | SLEEVE-WEAR |
| 59-5770-01 | HOUSING-ADJUSTMENT |
| 59-5780 | ROLLER BUSHING ASM |
| 59-5820 | NUT-CONE |
| 59-5830-01 | COVER-FRAME |
| 59-5890 | BEDKNIFE (FAIRWAY) |
| 59-5910 | CROSS AND BEARING (|
| 59-6000-01 | BRACKET-SKID, RH |
| 59-6010-01 | BRACKET-SKID, LH |
| 59-6070-01 | R/H SCRAPER BRKT |
| 59-6080-01 | L/H SCRAPER BRKT |
| 59-6090 | RM4000 REAR ROLLER SCRAPE |
| 59-6140 | BEARING |
| 59-6150 | WASHER-PULLEY |
| 59-6190 | CAPSCREW-SHAFT, REEL |
| 59-6250-01 | FRAME WA |
| 59-6290 | SHAFT & STOP |
| 59-6330 | NUT |
| 59-6340 | SHOULDER BOLT |
| 59-7410 | FITTING-DIAGNOSTIC |
| 59-7490 | PLUG-FITTING, GREASE |
| 59-8400 | SEAL KIT |
| 59-9740 | FLEX DRAW LATCH ASM |
| 60-5470 | FILTER ELEMENT KIT |
| 60-6500 | SCREW-HH |
| 6-1030 | HOUSING |
| 61-0380-01 | CAP-END,ROLLER |
| 61-0410 | FULL ROLLER ASM |
| 61-0420-01 | SUPPORT-HOC |
| 61-0430-01 | HOC REAR BRKT(MACH) |
| 61-0790 | SCREW-HH |
| 61-0910 | BRACKET-ANGLE |
| 61-1010 | BEDBAR PIVOT HSG WA |
| 61-1210-01 | BEDBAR |
| 6-1130 | LH ROLLER ADJ WASHER |
| 61-1950 | WASHER-PLASTIC |
| 61-2670 | WIRE ASM |
| 61-2790 | FILTER-SCREEN |
| 61-3000 | SHAFT |
| 61-3260 | REAR LIFT CABLE |
| 61-3280 | FLAP-RUBBER |
| 61-3290 | FLAP-RUBBER, MIDDLE |
| 61-3380 | BELT-V |
| 61-3390 | BELT |
| 61-3400 | V-BELT |

| Part Number | Description |
|-------------|-------------------------|
| 61-3790 | PLATE-HOC, FRONT |
| 61-3800 | PLATE-HOC, REAR |
| 61-4160 | HOUSING-SPINDLE |
| 6-1600 | SOLENOID |
| 61-9390-01 | STEERING DRUM |
| 62-2130 | CHOKE CONTROL |
| 62-2170 | WASHER-THRUST |
| 62-2180 | STEERING CABLE |
| 62-2190 | PLAIN WASHER |
| 62-2390-01 | BAR-LH LIFT ARM |
| 62-2420-01 | BAR ASM-LIFT, CTR ARM |
| 62-2440 | LIFT ARM ASM |
| 62-2460 | LIFT ARM ASM |
| 62-2660 | FOOT STEP PAD |
| 62-4340 | SPANNER |
| 62-4420 | WASHER |
| 62-4480 | ROD-ROLLER |
| 62-4600 | TINE-HOLLOW, 3/4 X 4.75 |
| 62-4610-03 | BLOCK |
| 62-5070 | DECAL-WARNING |
| 62-5510 | BUSHING-RUBBER |
| 62-5570 | BEARING-ROLLER |
| 62-5580 | BEARING-OUTSIDE |
| 62-6080 | BOLT-SHOULDER |
| 62-6110 | BUSHING ASM |
| 62-6130 | WIEHLE ROLLER ASM |
| 62-6390 | FAN BELT |
| 62-6470 | DRIVE HSG RH (MACH) *R |
| 62-6480-01 | DRIVE HSG LH (MACH) |
| 62-7120 | WASHER |
| 62-7700-03 | BLADE-21" |
| 62-7770 | KEY-IGNITION |
| 63-0070 | SPACER |
| 63-0080-03 | BLADE |
| 63-0960 | REAR CASTOR SPACER |
| 63-1510 | V-BELT |
| 63-1540-03 | PULLEY-IDLER |
| 63-1770 | SPANNER |
| 63-2290 | WASHER-THRUST |
| 63-3410 | SCREW-SHOULDER |
| 63-3850 | HOSE ASM |
| 63-3890 | HOSE ASM |
| 63-3930 | HOSE ASM |
| 63-3950 | HOSE ASM |
| 63-4020 | TUBE-HYD |
| 63-4030 | TUBE-HYD |
| 63-4050 | FITTING-HYD |
| 63-4080 | FITTING-MANIFOLD |
| 63-4480 | TIRE |
| 63-6240 | V-BELT |
| 63-7790 | SCREW-CAP |
| 63-8300 | ELEMENT-SPIN ON |
| 63-8360 | KEY-IGNITION |
| 63-8400 | CASTER WHEEL ASM |
| 63-8410 | WASHER |
| 63-8580 | BEARING-ROLLER |
| 63-8610 | BEDKNIFE-FAIRWAY |
| 63-8750 | PIN-PIVOT |
| 63-9510 | BUSHING |
| 63-9750 | MOUNT |

| Part Number | Description | Part Number | Description |
|-------------|-------------------------|-------------|--------------------------|
| 65-5940 | PULLEY-IDLER | 68-8920 | FEMALE WHEEL HALF |
| 65-5950 | BUSHING-PULLEY | 68-8930 | MALE WHEEL HALF |
| 65-6200 | BELT | 68-8940 | HUB-CENTER |
| 65-6210 | BELT | 68-8950 | TUBE-INNER (W/VALVE) |
| 65-6450 | BRACKET-LH | 68-8960 | TIRE |
| 65-6460 | BRACKET-RH | 68-8970 | TIRE AND BEARING ASM |
| 65-6520 | SPACER | 68-8980 | SPANNER-TIRE |
| 65-6530 | SPACER | 68-8990 | HEAD-FILTER |
| 65-7270 | V-BELT (MATCHED SET) | 68-9400 | NUT-FLANGE |
| 65-7910 | SPACER | 68-9930 | THROTTLE CONTROL |
| 65-7940 | TIRE | 68-9970 | GUARD-SEAL |
| 65-8360-01 | SCRAPER-SMOOTH | 69-1510 | SPACER |
| 65-8570 | ROD-MOUNTING | 69-1530 | HOUSING-SPINDLE |
| 65-8600 | KNOB-ADJUSTMENT, HEIGHT | 69-1720 | ELEMENT-FILTER |
| 65-8770 | BUSHING-BELLCRANK | 69-4320 | FITTING-HYD. 90 DEG |
| 6590003 | O-RING | 69-5430-03 | PULLEY-IDLER, FLAT |
| 65-9080 | BELT | 69-6270-01 | FORK - CASTOR |
| 65-9500 | ROLLER ADJ SCREW | 69-6470 | BUSHING-CASTOR |
| 65-9700 | BELT-DRIVE | 69-6860 | WASHER-THRUST |
| 66-0561 | SCREW-SHOULDER | 69-6920-03 | BLADE-20 IN. |
| 66-2490 | RETAINER-BATTERY | 69-6950 | SPACER-SHAFT, SPINDLE |
| 66-2630 | LATCH-SEAT | 69-8390 | SPINDLE PULLEY ASSEMBLY |
| 66-2950 | GAUGE-HOURLMETER | 69-8400 | SPINDLE ASM |
| 66-4070 | V-BELT | 69-8890 | CAP-SPINDLE |
| 66-4270-03 | SPRING-EXTENSION | 69-8930 | WASHER |
| 66-4340 | V_BELT | 69-8960 | SPACER |
| 66-5620 | WASHER | 69-8980 | WASHER |
| 66-5640 | SHAFT | 69-9760 | COVERPLATE |
| 66-5650 | SHAFT | 69-9800 | TIRE (31X13.5-15) 8-PLY |
| 66-7220 | ARM-SPRING | 69-9880 | TIRE (23X10.5-12) 6-PLY |
| 66-7230 | SPRING-COMPRESSION | 700083 | FLANGETTE-BEARING |
| 66-7240 | SCREW-PIVOT | 700382 | RIVET |
| 66-8010 | SPACER | 7-0081 | WASHER-FLAT |
| 66-8800 | RELAY | 70-1170 | BLADE-VERTIREEL |
| 66-9140 | TINE-HOLLOW, 1/2 X 4.75 | 70-1200-01 | FRAME-REEL ASM |
| 66-9302 | SCREW-HHF, WHIZ | 70-1350 | SPACER-PLASTIC |
| 67-1750 | BUSHING | 70-1820 | CASTOR WHEEL |
| 67-1751 | BUSHING | 70-4790 | FILTER |
| 67-4410 | V-BELT | 70-7130 | LINE-TUBE |
| 67-4630 | ALTERNATOR ASSEMBLY | 70-8040 | WASHER |
| 67-5770 | WASHER | 70-8370 | BOLT |
| 67-5840 | NUT-JAM | 70-8500 | TIRE-SMOOTH, 2-PLY |
| 67-6920 | V-BELT | 70-9840 | SHOE-BRAKE |
| 67-7561 | CUP-SCALP, ANTI | 70-9870 | PLATE-BACKING |
| 67-7960 | DECAL-DANGER | 70-9880 | SPRING-RETURN |
| 67-8110 | CARTRIDGE-FILTER, OIL | 70-9940 | HYDRAULIC HOSE ASM |
| 67-8510 | V-BELT, FAN | 70-9950 | HYDRAULIC HOSE ASM |
| 67-9410 | WASHER | 70-9960 | HYDRAULIC HOSE ASM |
| 68-3270 | BUMPER-RUBBER | 71-0990 | ORIFICE (.0465 ONE-WAY) |
| 68-5130 | WHEEL-STEERING | 71-1360 | BEARING |
| 68-5260 | MANIFOLD-TEE | 71-1550 | WIEHLE ROLLER ASM (.43", |
| 68-5310 | CLIP-ROD, PROP | 71-2530 | BEARING/SPACER KIT |
| 68-5380 | CENTER LIFT ARM ASM | 71-3590 | NUT-ADJUSTMENT |
| 68-5560 | PIN-CYLINDER, PIVOT | 71-3690 | SPADE-BENT |
| 68-5880 | HOSE-HYD | 71-4410 | SPACER |
| 68-6150 | BREATHER | 71-4411 | SPACER |
| 68-6710 | ROLLER | 71-4540 | WASHER-THRUST |
| 68-6840 | SHAFT-ROLLER | 71-4740-03 | RH TIE ROD END ASM |
| 68-7530 | BUSHING | 71-5960 | FUEL FILTER |
| 68-8900-01 | FRONT CASTOR FORK ASM | 72-0380 | HEX-KNOB |

PARTS LIST

| Part Number | Description |
|-------------|-------------------------|
| 72-0390 | ROD-ADJUSTING |
| 72-0410 | STAND-OFF |
| 72-0420 | CLAMP-TUBE |
| 72-0430 | BUSHING-FLANGE |
| 72-0440 | PIN-ADJ |
| 72-0450-01 | BRACKET-RH |
| 72-0460-01 | BRACKET-LH |
| 72-0470-01 | GUARD |
| 72-3760 | V-BELT |
| 72-4640-03 | LH TURF GUARD ASM |
| 72-4660-03 | RH TURF GUARD ASM |
| 72-4680-03 | CENTER TURF GUARD ASM |
| 72-9361 | CUP-SCALP, ANTI |
| 72-9390 | BELT-SEAT |
| 72-9710 | HUB-TIRE |
| 74-0340 | CUSHION-RUBBER |
| 7-4150 | WASHER |
| 74-1810 | WASHER |
| 74-3570 | FILTER |
| 74-3650 | FAN |
| 74-3730 | SPACER-SPINDLE, REAR |
| 74-5560 | TIRE (20X8-10) 6-PLY |
| 74-5950 | LATCH-SWELL |
| 74-8830 | BELT-TIMING |
| 74-9100 | PAD-PEDAL, FORWARD |
| 74-9110 | PAD-PEDAL, REVERSE |
| 75-0560 | STEERING WHEEL ASM |
| 75-0770 | HYD CYLINDER |
| 75-1040 | COOLER-OIL |
| 75-1290 | BEARING-ROLLER |
| 75-1310 | FILTER-HYD |
| 75-1370 | CABLE-BATTERY, POSITIVE |
| 75-1520 | WIEHLE ROLLER ASM |
| 75-1560-01 | REAR DEFLECTOR WA |
| 75-1610-01 | ADJUSTMENT-HOC, RH |
| 75-1620-01 | ADJUSTMENT ASM-HOC, LH |
| 75-1710 | SUPPORT |
| 75-1720 | FLAP-SHIELD, REAR |
| 75-1740 | SCRAPER SPRING |
| 75-1750-01 | REAR SCRAPER WA |
| 75-1840 | FRONT GRASS SHIELD ASM |
| 75-1960-01 | BRACKET-HOC, RH FRONT |
| 75-1980-01 | BRACKET-HOC, LH FRONT |
| 75-2160 | BUSHING |
| 75-4040-03 | PLATE-BASKET, LH |
| 75-4050-03 | PLATE-BASKET, RH |
| 75-5270 | SPACER-KNOB, SEAT |
| 75-5470 | SPACER-BEARING |
| 75-5890 | HOSE |
| 75-5900 | HOSE |
| 75-5910 | HOSE |
| 75-6070 | HOSE |
| 75-6080 | HOSE ASM |
| 75-6180 | HOSE |
| 75-6200 | HOSE |
| 75-6230 | HOSE |
| 75-6340 | FILTER, IN-LINE |
| 75-6820 | HOURMETER |
| 75-7570 | KEY |
| 75-7580-01 | COVER-PLATE, RH |

| Part Number | Description |
|-------------|---------------------------|
| 75-7590-01 | COVER-DRIVE HOUSING, LH |
| 75-7680-01 | DEFLECTOR-GRASS ASM |
| 75-8100 | COVER |
| 75-9440 | HUB ASM |
| 75-9670-01 | FORK-CASTOR |
| 75-9680-01 | FORK-CASTOR |
| 75-9831 | HYD MOTOR ASM |
| 75-9840 | HYD MOTOR ASM |
| 75-9990 | HYD MOTOR ASM |
| 76-0410 | SPRING-COMPRESSION |
| 76-0800 | SEAL KIT |
| 76-0850 | BEARING-THRUST |
| 76-2460 | BEARING ASM |
| 76-2970 | BUSHING-STRAIGHT |
| 76-2980 | WASHER-THRUST |
| 76-3580 | SPACER-BEDBAR AND SIDEPLA |
| 76-3600-01 | END PLATE-LH |
| 76-3610-01 | END PLATE |
| 76-3620 | BEDKNIFE (FAIRWAY) |
| 76-4660 | SPRING-DOOR |
| 76-5050 | ALTERNATOR |
| 76-5220 | ELEMENT-FILTER |
| 76-8170 | HOSE ASSY |
| 76-8640 | STUD-TRACTION |
| 76-8870 | DAMPER-LEVER |
| 77-0300-01 | HANDLE ASM |
| 77-0330 | HOUSING-PIVOT |
| 77-0350 | WASHER-THRUST, NYLON |
| 77-0560 | NUT - SPLINED |
| 77-1060 | ADJUST-HOC, RH |
| 77-1080 | ADJUST-HOC, LH |
| 77-4340-01 | BEDBAR-11 BLADE |
| 77-4810 | BLOCK-DEFLECTOR |
| 77-5080-01 | DRAG-SWIVEL |
| 77-5090-01 | DRAG-SECONDARY |
| 77-5320 | TINE-SOLID, 5/16 X 3.25 |
| 77-6710-03 | BLADE (21.5IN) |
| 77-7330 | PLUG-SPARK |
| 80-1210 | BLOCK-MOUNTING |
| 80-1300 | BOLT-SHOULDER |
| 80-1460 | ROD-SPRING |
| 80-1470 | SPRING |
| 80-1680 | L/H PIVOT BRKT & BSHG |
| 80-1690 | R/H PIVOT BRKT & BSHG |
| 80-1860-03 | HANDLE UPRIGHT ASM |
| 80-1890 | SPACER |
| 80-2040 | HOOK |
| 80-2050 | BOLT-SHOULDER |
| 80-6990 | WASHER-HARDENED |
| 80-7342 | HOSE-HYD |
| 80-8650 | COUPLING-DRIVE |
| 80-9590 | FILTER-WATER |
| 8-1750 | SPRING ARM |
| 82-0660 | ELEMENT-AIR CLEANER |
| 82-2190 | SWITCH-BAIL |
| 82-3070-03 | BLADE-9", THATCHER, 6PT |
| 8-2490 | SPHERICAL WASHER |
| 82-4910 | ROLLER |
| 8-2530 | COMB |
| 8-2570 | THRUST BEARING |

| Part Number | Description | Part Number | Description |
|-------------|---------------------------|-------------|---------------------------|
| 82-6510-01 | SUPPORT-HOC, RH | 83-4740 | BEARING |
| 82-6530-01 | SUPPORT-HOC, LH | 83-5400 | RM5000 FRT WIEHLE SCRAPER |
| 82-6570 | SHAFT-REEL | 83-6930-01 | R/H SCRAPER BRKT |
| 82-6600 | SPACER (0.73 INCH) | 83-6940-01 | L/H SCRAPER BRKT |
| 82-6630-01 | BRACKET ASM-HOC, RH | 83-6950-01 | R/H SCRAPER BRKT WA |
| 82-6650-01 | BRACKET ASM-HOC, LH | 83-7000 | HYD CYLINDER ASM |
| 82-6740 | REAR SCRAPER ASM | 83-8590 | CABLE - LIFT |
| 82-6780-01 | DEFLECTOR-REAR | 83-9020 | V-BELT |
| 82-6820 | SPACER | 83-9310 | RH BRAKE LEVER ASM |
| 82-6830-01 | BRACKET-SCRAPER | 8-3980 | SHAFT-ROLLER |
| 82-9390 | NUT-SPECIAL | 8-3990 | REAR ROLLER ASM |
| 83-0020 | SWITCH-IGNITION | 84-0810-01 | SKID-CASTING, LH |
| 83-0030 | CONTROL-THROTTLE | 84-1990 | ROD-ADJUSTING |
| 83-0040 | CONTROL-CHOKE | 84-2000-03 | BRACKET-BRAKE |
| 83-0080 | SPRING-PIVOT, LIFT | 84-2190 | SECTION SEAL KIT |
| 83-0160 | SHAFT-BRAKE | 84-2230-03 | PIVOT ASM |
| 83-0190-01 | COVER-RH | 84-2280-03 | RAKE-FINISHING |
| 83-0200-01 | PLATE-COVER, LH | 84-2350 | SPACER-LONG |
| 83-0540-01 | TRACTION PEDAL ASM | 84-2420-03 | LIFT ARM ASM |
| 83-0580 | ROD-CONTROL, TRACTION | 84-2450 | CHAIN-STRAIGHT, 4-LINK |
| 83-0630 | ARM-PIVOT, TRACTION | 84-2451 | CHAIN-STRAIGHT, 5 LINK |
| 83-0640-01 | PLATE-FOOTREST | 84-2452 | CHAIN-14 LINK, STRAIGHT |
| 83-0700-03 | HANDLE-LOCKUP | 84-2453 | CHAIN-LINK, 16 |
| 83-0730 | SPACER-LOCKUP | 84-2460-03 | BLADE ASM |
| 83-0740 | DISC-FRICTION | 84-2550-03 | TROWEL-SMOOTH |
| 83-0750 | CAPSCREW-HH, LH THREAD | 84-2620-03 | ANGLE ASM |
| 83-0760 | SPACER-PLATE, LOCKUP | 84-2680-03 | HANGER ASM |
| 83-0810 | COVER-STEERING | 84-5300 | NUT-JAM |
| 83-0820 | GAUGE - AMMETER | 84-5370 | SPINDLE |
| 83-0830-01 | PANEL-CONTROL, UPPER | 84-6070 | SHAFT-ROLLER |
| 83-0840-01 | SHIELD-COVER, VALVE | 84-6080 | WIEHLE ROLLER ASM |
| 83-0870 | FITTING-HOSE, BARBED | 84-6090 | BOLT-SHOULDER |
| 83-0910 | HOSE-INLET, PUMP | 84-6160 | COLLAR AND BUSHING ASM |
| 83-1031 | MOUNT-ENGINE | 84-6180 | FRONT ROLLER ASSEMBLY |
| 83-1040 | WASHER-FLAT | 84-8200 | SEAL-OIL |
| 83-1050 | SPACER | 84-8290 | HYD CYLINDER ASSY |
| 83-1060-03 | ADAPTER-PUMP | 84-8600 | SET-SHOES, LINED |
| 83-1150 | ENGINE GROUND WIRE ASM | 84-8730 | HOSE ASSY |
| 83-1200 | TUBE-TRACTION, LH (LOWER) | 84-8740 | HOSE ASSY |
| 83-1220 | PLATE-CLAMP | 85-0160-03 | 18 DEG SWEEP ASM |
| 83-1270 | SEAT SUPPORT ASM | 85-0290 | SPACER-PIVOT, SEAT |
| 83-1350 | HOSE-HYD | 85-0310-03 | HANGER ASM |
| 83-1360 | HOSE-HYD | 85-4650 | CONNECTOR |
| 83-1390 | VALVE-SHUT-OFF, FUEL | 85-4930 | FILTER - OIL |
| 83-1420 | COLUMN-STEERING | 85-4940 | HOSE-HYD |
| 83-1430 | HOSE-LINE, RETURN | 85-5760 | 8-INCH CASTOR WHEEL ASM |
| 83-1630-03 | BRACKET-SUPPORT, MUFFLER | 85-6010 | SHAFT-SPINDLE |
| 83-1670 | FITTING ASM | 85-6040-03 | BLADE-25.18 INCH |
| 83-1680 | HOSE-HYD | 85-6540 | STUD-DRIVE |
| 83-1690 | HOSE-HYD | 85-6610 | SHAFT-STEERING |
| 83-1700 | BUSHING-FLANGE | 85-7190 | WASHER-SHIELD |
| 83-1840-01 | COVER-VALVE, RH | 85-7220 | REAR ROLLER ASM - 2" |
| 83-1890 | SWITCH-BALL | 85-8030 | CHAIN |
| 83-2280 | TIMER-DELAY | 85-8120-03 | PLATE-MOUNT, ENGINE |
| 83-2310 | SHIELD-REGULATOR | 85-8290 | TIRE-2PLY, KNOBBY |
| 83-2380 | SEAL REPAIR KIT | 85-8360 | GASKET-RING |
| 83-2420 | POSITIVE CABLE ASM | 85-8460 | SWITCH ARM ASM |
| 83-2590 | BOLT-SHOULDER, PIVOT | 85-8730 | HUB-ENGINE |
| 83-4720-01 | SPRING-TORSION, RH | 85-8770 | COUPLING |
| 83-4730-01 | SPRING-TORSION, LH | 85-8940 | FLANGETTE-RELUBE |

PARTS LIST

| Part Number | Description |
|-------------|---------------------------|
| 85-8950 | FLANGETTE-STANDARD |
| 85-8960 | SPACER |
| 85-9020 | KEY-SQUARE |
| 85-9030 | SPRING-EXTENSION |
| 85-9120 | SPACER-PIVOT, TILT |
| 85-9150 | PLATE-SWITCH |
| 85-9180 | SPROCKET-STEERING |
| 85-9200 | KNUCKLE-STEERING |
| 85-9550 | RUBBER CLAMP ASM |
| 85-9670 | NUT-T |
| 85-9970 | BEARING-BALL |
| 86-0010-03 | BLADE-19" |
| 86-1960 | V-BELT |
| 86-1970 | V-BELT |
| 86-2120 | ROLLER-LOCK |
| 86-3010 | FILTER-OIL |
| 86-5350 | BUMPER-RUBBER |
| 86-5360 | SEAL REPAIR KIT |
| 86-5390 | SEAL KIT |
| 86-5900 | TIRE (26X12-12) 8-PLY |
| 86-5910 | TIRE-6 PLY |
| 86-6110 | FILTER-HYDRAULIC |
| 86-6560 | WASHER-THRUST |
| 86-7330 | SEAL KIT |
| 86-7450 | CABLE-GROUND |
| 86-7610-03 | MOUNT-SEAT |
| 86-7640-01 | BOX-LITTER |
| 86-8101-01 | JOINT-BALL, LH |
| 86-8630 | FILTER-WATER |
| 86-9100 | FILTER ASM |
| 86-9120 | TRAPPER-SEDIMENT |
| 86-9140 | SCREEN-MESH, 100 |
| 86-9720 | TINE-HOLLOW, 3/4 X 5.75 |
| 86-9810-01 | L/H PULL FRAME ASM |
| 87-1430 | JOINT-BALL |
| 87-1490 | SPRING-LEAF, REAR |
| 87-1970 | BEARING-MATCHED SET |
| 87-2720-03 | SHAFT-MASK |
| 87-3200 | V-BELT |
| 87-3210 | V-BELT |
| 87-3290 | TIRE (23X10.5-12) 4-PLY T |
| 87-3470 | BUMPER |
| 87-3770 | BUSHING-HOUSING, BELL |
| 87-3920 | BUSHING |
| 87-4020 | SPRING-EXTENSION |
| 87-4260 | CABLE-SELECTOR, GEAR |
| 87-4760 | BUSHING-RUBBER |
| 87-5100 | WASHER-SNUBBING |
| 87-6630 | WASHER-PLAIN |
| 87-7270 | WASHER-THRUST |
| 87-8170 | FITTING-90 |
| 87-8370 | V-BELT |
| 87-8640 | WASHER-FLAT |
| 87-9400 | VALVE-VACUATOR |
| 88-6330 | SPRING-EXTENSION |
| 88-6790 | WIEHLE ROLLER ASM (.43 IN |
| 88-6830 | SPACER-FRAME, CARRIER |
| 88-6870 | EXTENSION-ARM, PULL |
| 88-7580 | SHAFT-WHEEL, TRANSPORT (L |
| 88-7590 | SHAFT-WHEEL, TRANSPORT (R |

| Part Number | Description |
|-------------|---------------------------|
| 88-7840 | PULLEY AND DRIVE ASM |
| 88-7880 | BEARING |
| 88-8350 | TAB-BEARING |
| 88-8440-03 | PLATE-TIPPER |
| 88-8450 | PRONG |
| 88-8480 | BRACKET-PIVOT |
| 88-8990 | BEDKNIFE-MACHINED |
| 88-9000 | BEDKNIFE-TOURNAMENT |
| 88-9630-01 | BRACKET-LIFT PIVOT, RH |
| 88-9640-01 | BRACKET-LIFT PIVOT, LH |
| 88-9700 | HOSE-HYD |
| 92-0527 | CARTRIDGE-CLEANER, AIR |
| 92-0530 | ELEMENT-FILTER |
| 92-0585 | PULL ARM ASM |
| 92-0586 | PULL ARM ASM |
| 92-1233 | PIN-CLEVIS |
| 92-1298 | PIN-LYNCH |
| 92-1655 | 10-INCH CASTOR WHEEL ASM |
| 92-1705 | FILTER-SCREEN |
| 92-1715 | SPACER |
| 92-1719 | HOSE ASM |
| 92-1726 | HOSE ASM |
| 92-1727 | HOSE ASM |
| 92-1765 | WASHER-THRUST |
| 92-1815 | SHAFT-C.U. PIVOT |
| 92-1846 | WIEHLE ROLLER ASM |
| 92-2025 | ALTERNATOR ASSY |
| 92-2041 | V-BELT |
| 92-2153 | SPARK PLUG |
| 92-2308-03 | RH ARM ASM |
| 92-2311-03 | LH BRACKET ASM |
| 92-2312-03 | RH BRACKET ASM |
| 92-2313-03 | ARM-LIFT |
| 92-2314 | HANDLE |
| 92-2315 | BOLT-SHOULDER |
| 92-2318-03 | LH PLATE ASM |
| 92-2319-03 | RH PLATE ASM |
| 92-2320 | LEVER-LATCH |
| 92-2323 | PIN |
| 92-2324 | BRACKET-PIVOT |
| 92-2325-03 | LH BRACKET ASM |
| 92-2326-03 | RH BRACKET ASM |
| 92-2343-01 | PEDAL ASM |
| 92-2344 | TRUNNION |
| 92-2379 | CLAMP-HOSE |
| 92-2538 | MODULE-TIMER |
| 92-2546 | WIPER-SEAL |
| 92-2601 | RING-RETAINING |
| 92-2739 | PIN-CLEVIS |
| 92-2762 | PIN-HAIR |
| 92-3086 | ROD - SCRAPER |
| 92-3087 | BRACKET - SCRAPER |
| 92-3187 | V-BELT(3VX,37.00")3=1 MAT |
| 92-3814 | CHARCOAL AIR FILTER |
| 92-4187 | CROSS AND BEARING KIT |
| 92-4284 | SPACER-FLAIL PIVOT |
| 92-4285 | BLADE-FLAIL |
| 92-5018-03 | CLAMP-BATTERY |
| 92-5035 | STEERING POST ASM |
| 92-5039 | CHAIN-STEERING |

| Part Number | Description | Part Number | Description |
|-------------|---------------------------|-------------|---------------------------|
| 92-5578-01 | FORK-CASTOR, REAR ASM | 93-0309 | WASHER-TAB |
| 92-5588 | V-BELT | 93-1122 | DECAL-DANGER |
| 92-5604 | SPINDLE SHAFT ASM | 93-1251 | SEAL-INNER |
| 92-5606 | SPACER-SPINDLE | 93-1252 | SEAL-OUTER |
| 92-5607 | PULLEY AND HUB ASM | 93-1256 | SHAFT - REAR ROLLER |
| 92-5608-03 | BLADE | 93-1394 | NUT-SPLINE |
| 92-5816 | BOLT-BLADE | 93-1414 | SEAL-GREASE |
| 92-5821 | HEAD-FILTER | 93-2018 | HOSE-RADIATOR |
| 92-6282 | SWITCH-SEAT | 93-2075-01 | BRAKE PEDAL ASM |
| 92-7160 | CLIP | 93-2090 | FAN-ENGINE |
| 92-7179-01 | PLATE-STOP, FORK | 93-2092 | CLAMP-CABLE |
| 92-7186 | TANK-FUEL | 93-2096 | LEVER-BRAKE |
| 92-7302 | NUT-LOCK, BEARING | 93-2190 | AIR CLEANER ASM |
| 92-7305 | SPRING-EXTENSION | 93-2191 | AIR CLEANER MOUNTING BAND |
| 92-7534 | HOSE-HYD | 93-2242 | FILTER-OIL |
| 92-7536 | HOSE-HYD | 93-2254 | HYD HOSE ASM |
| 92-7538 | HOSE ASM | 93-2255 | HYD HOSE ASM |
| 92-7539 | HOSE-HYD | 93-2256 | HYD HOSE ASM |
| 92-7559 | HYD HOSE ASM | 93-2258 | HYD HOSE ASM |
| 92-7560 | HYD HOSE ASM | 93-2264 | HOSE ASM |
| 92-7595 | HOSE-HYD | 93-2270 | HYD HOSE ASM |
| 92-7750-01 | FORK-CASTOR | 93-2279 | CLAMP-CABLE |
| 92-7752-01 | FORK-CASTOR ASM | 93-2322 | CONTROL-THROTTLE (DIESEL) |
| 92-7768 | SPRING-COMPRESSION | 93-2329 | CONTROL- CHOKE |
| 92-7900 | TINE-SIDE EJECT, 3/4 X 5. | 93-2368 | BUSHING-FLANGE |
| 92-7941 | TINE-SIDE EJECT, 3/4 X 4. | 93-2384 | SPACER-CARRIER |
| 92-8690 | STEERING CONTROL VALVE AS | 93-2454 | NUT-LOCK, TAPERED |
| 92-8861 | CAP-HOC | 93-2463 | ROLLER-LIFT |
| 92-8862 | HOC CAP ASM | 93-2464 | SPACER-ROLLER |
| 92-8863 | REPAIR KIT | 93-2466 | SHAFT-ROLLER |
| 92-8866 | SPACER | 93-2470 | SHAFT - ROLLER |
| 92-8934 | SPRING-EXTENSION | 93-2489 | BEARING |
| 92-8972 | CLAMP-SEAT | 93-2511-01 | BEDBAR |
| 92-8973 | ANGLE | 93-2516 | SPRING - COMPRESSION |
| 92-8981 | LIFT LEVER ASM | 93-2518 | HOUSING-PIVOT |
| 92-8983 | PIVOT | 93-2522 | ARM-SPRING |
| 92-8990 | ADJUSTER-SLAVE | 93-2525 | RING-RETAINING |
| 92-8991 | ADJUSTER (W/LATCH) | 93-2545 | SCREW-PIVOT |
| 92-8995 | BUSHING | 93-2549 | NUT-ADJUSTER |
| 92-8997 | COOLER-OIL | 93-2550 | ADJUSTOR ASM |
| 92-9165 | SEAL | 93-2551 | SEAL-BASKET |
| 92-9167 | CLUTCH-ROLLER | 93-2559 | BEARING-BALL |
| 92-9199 | MOTOR-WHEEL, HYD | 93-2562 | SPRING-COMPRESSION |
| 92-9218 | BELT-V, MATCHED SET | 93-2569 | SCREW-HHF |
| 92-9231 | SPRING-COMPRESSION | 93-2576-01 | BEDBAR |
| 92-9250 | SEAL-GREASE | 93-2877 | BUSHING |
| 92-9251 | SLEEVE-WEAR | 93-2887 | SHAFT-ROLLER, FRONT |
| 92-9252 | BUSHING-FLANGE | 93-2891 | BUSHING-PLASTIC |
| 92-9545 | O-RING KIT | 93-2892 | PIVOT-BEDBAR, MANUAL ADJ |
| 92-9657 | COUPLING-QUICK DISCONNECT | 93-2904-01 | BRKT.-HOC, REAR (MACH) |
| 92-9658 | COUPLING-NOSE | 93-2906 | PIN - HOC |
| 92-9659 | COUPLING-QUICK, BODY | 93-2921 | SPRING - COMPRESSION |
| 92-9726 | SPRING-COMPRESSION | 93-2931 | WASHER-ROLLER |
| 92-9727 | HOC CAP ASM | 93-2959 | SPACER-ADJUSTER |
| 92-9749 | SEAL KIT | 93-2981-01 | SIDEPLATE-RH, WELDED |
| 92-9767 | HOSE | 93-2982-01 | SIDEPLATE WA - LH |
| 92-9785 | V-BELT | 93-2998-01 | SHIELD - RH |
| 93-0181 | TIRE (11-14) 8 PLY | 93-3007 | SEAL-OIL |
| 93-0183 | BELT-V, IMPELLER | 93-3038-03 | BLADE-DETHATCHER |
| 93-0307 | NUT-LOCK, RETAINER | 93-3080-03 | HOUSING, END CAP |

PARTS LIST

| Part Number | Description |
|-------------|---------------------------|
| 93-3102 | CAP-FUEL |
| 93-3577 | ALTERNATOR ASSY |
| 93-4034 | V-BELT |
| 93-4132 | O-RING |
| 93-4133 | SEAL-LIP |
| 93-4239 | RIM-WHEEL, HALF |
| 93-4240 | 10 INCH WHEEL ASM |
| 93-4241 | SPACER-BEARING, INNER |
| 93-4242 | PLATE |
| 93-4243 | TIRE |
| 93-4244 | TUBE-INNER (W/VALVE) |
| 93-4262 | BEDKNIFE-MICROCUT |
| 93-4263 | BEDKNIFE-TOURNAMENT CUT |
| 93-4264 | BEDKNIFE-LOW CUT |
| 93-4510 | BUSHING-CASTER |
| 93-4582 | SHAFT-CASTOR |
| 93-4583-01 | MOUNT-JOINT, BALL |
| 93-4628 | WASHER |
| 93-4632 | WASHER-WAVEY |
| 93-4696 | PIN-HITCH |
| 93-4747 | WHEEL-GAGE |
| 93-4764 | SPANNER-WHEEL |
| 93-4803 | ROLLER-DECK |
| 93-4806 | BOLT/AXLE-WHEEL |
| 93-4824 | FORK-CASTOR |
| 93-4825 | KIT-SPACER & BEARING |
| 93-4838 | V-BELT, HEX |
| 93-4839 | V-BELT |
| 93-4982 | BLADE-COMBINATION |
| 93-5023 | SPACER |
| 93-5265 | MOUNT-ENGINE |
| 93-5385 | HOSE ASM |
| 93-5431 | TIRE (25X10.5-15) 6-PLY |
| 93-5547 | BUSHING-NYLON |
| 93-5630 | SPACER-BEARING, INNER |
| 93-5957 | CAP-RADIATOR |
| 93-5961 | BOOT-LEVER |
| 93-5973 | 10IN FOAM FILLED WHEEL AS |
| 93-5974 | 8 INCH FOAM FILLED WHEEL |
| 93-5980 | HUB |
| 93-5988 | HUB-PIVOT |
| 93-6048 | BRACKET-HOC, RH |
| 93-6049 | BRACKET-HOC, LH |
| 93-6051 | SCREW-HOC |
| 93-6053-01 | BEDBAR-STANDARD |
| 93-6069 | GRASS SHIELD ASM |
| 93-6090 | ARM-HOC |
| 93-6212 | FELT FILTER |
| 93-6587 | BEARING |
| 93-6688 | DECAL-DANGER |
| 93-6689 | DECAL-NO RIDERS |
| 93-6696 | DECAL-WARNING |
| 93-6789 | HOSE-HYD |
| 93-6790 | HOSE-HYD |
| 93-6797 | HOSE ASM |
| 93-6838-03 | HUB-WHEEL |
| 93-6840 | V-BELT |
| 93-6841 | PULLEY |
| 93-6842 | BUSHING-LOCK, TAPER |
| 93-6850 | LEVER-BRAKE |

| Part Number | Description |
|-------------|---------------------------|
| 93-6855 | HSG. WA - BEDBAR ADJ |
| 93-6857 | HOSE-SUCTION |
| 93-6887 | HOSE-HYD |
| 93-6960 | COVER-HOLDER, BEARING |
| 93-6981 | SPACER |
| 93-7128 | DRUM-BRAKE |
| 93-7140 | V-BELT-PUMP |
| 93-7160 | CAP-OIL, HYD |
| 93-7486 | CLAMP ASM |
| 93-7498 | PLUG-PLASTIC |
| 93-7500 | SPECIAL METRIC CAPSCR M10 |
| 93-7501 | BUSHING ASM |
| 93-7502 | BUSHING-FLANGED |
| 93-7510 | RING-QUAD |
| 93-7522 | SCREW-HH |
| 93-7629 | PAD-FOOT, BRAKE |
| 93-7630 | PAD-FOOT |
| 93-7631 | PAD-FOOT, LIFT |
| 93-7769 | ROD-SUPPORT, FRAME |
| 93-7775 | BEARING-BALL |
| 93-7818 | DECAL-TORQUE, BLADE BOLT |
| 93-8062 | DECAL-BRAKE, PARKING |
| 93-8063 | DECAL-CAUTION, CE |
| 93-8064 | DECAL-DANGER, CE |
| 93-8065 | DECAL-TRACTION |
| 93-8075 | DECAL-MOW/LIFT |
| 93-8409 | BLADE - 22" |
| 93-8457 | V BELT-HEX |
| 93-8584 | SPARK PLUG |
| 93-8626 | SCREW ASM |
| 93-8636 | ELEMENT-FILTER, AIR |
| 93-8637 | ELEMENT-FILTER, AIR |
| 93-8684 | FILTER-FUEL |
| 93-8806 | WASHER-HARDENED |
| 93-8823 | COUPLER-MOTOR, REEL |
| 93-8825 | COUPLER-REEL, RH THREAD |
| 93-8826 | COUPLER-REEL, LH THREAD |
| 93-8827 | COUPLER-SPIDER |
| 93-8849 | REAR GRASS SHIELD ASM |
| 93-9015 | BEDKNIFE-LOWCUT |
| 93-9017 | ROD-BASKET, RH |
| 93-9018 | ROD-BASKET, LH |
| 93-9039 | WEIHLE ROLLER ASM |
| 93-9043 | WASHER-SPRING, BELLEVILLE |
| 93-9045 | WIEHLE ROLLER ASM (2.5 IN |
| 93-9049-01 | BEDBAR |
| 93-9051 | DECAL-BOLT, ECCENTRIC |
| 93-9052 | DECAL-DANGER |
| 93-9078 | DECAL-SAFETY |
| 93-9151 | FITTING-HYD |
| 93-9164 | INDICATOR-MINI |
| 93-9774 | BEDKNIFE (FAIRWAY) |
| 93-9783 | O-RING |
| 93-9793 | RING - SEAL |
| 93-9794 | RH BEARING HOUSING ASM |
| 93-9795 | LH BEARING HOUSING ASM |
| 93-9879 | DECAL-WARNING |
| 93-9898 | DECAL-LOCK |
| 93-9901-01 | BRACKET-LOCKOUT, MOW |
| 93-9903 | PIN-MOW, LOCKOUT |

| Part Number | Description | Part Number | Description |
|-------------|---------------------------|-------------|---------------------------|
| 93-9904 | ARM-MOW, LOCKOUT | 94-5261 | TIRE (20X10-10) 4-PLY RIB |
| 93-9934 | TRACTION HANDLE ASM | 94-5350 | FITTING-TEE |
| 93-9936 | BRACKET-RETURN, TRACTION | 94-5357 | HOSE ASM |
| 93-9937 | TRACTION CABLE ASM | 94-5358 | HOSE ASM |
| 93-9938 | WHEEL ASM | 94-5381-01 | CASTER FORK ASM |
| 93-9939 | TIRE | 94-5383-01 | CASTOR FORK ASM |
| 93-9999 | SWITCH-PTO | 94-5586-01 | BAR ASM-LIFT, LH ARM |
| 94-0694 | PREMIUM ROLLER ASM - 2 1/ | 94-5588-01 | BAR ASM-LIFT, R/H |
| 94-0695 | TUBE ASM - REAR ROLLER | 94-5780 | SCREW-HWH |
| 94-1291 | BUSHING | 94-5850 | SPINDLE-DRUM |
| 94-1304 | CABLE-LOCK, NEUTRAL | 94-5858 | WASHER |
| 94-1328 | HOSE ASM | 94-5870 | CABLE-CLUTCH |
| 94-1369 | SPRING-EXTENSION | 94-5879 | BAR-CUT OFF |
| 94-1374 | TRUNNION-BRACKET, MOW | 94-5885 | BEDKNIFE-TOURNAMENT CUT(G |
| 94-1375 | TRUNNION-BRACKET, LOCK | 94-5979 | GASKET |
| 94-1378 | TUBE-PIVOT, HANDLE | 94-6116 | WHEEL-REAR |
| 94-1382 | COLLAR - HOC | 94-6363 | BEARING |
| 94-1383 | PEDAL-PIVOT | 94-6368 | BEARING |
| 94-1386 | SHAFT-PEDAL | 94-6392 | BEDKNIFE-HIGHCUT |
| 94-1433 | HYD HOSE ASM | 94-6394 | BEDKNIFE, TOURN-CUT, (GRE |
| 94-1861-03 | BLADE-24.75IN | 94-6395 | BEDKNIFE, LOWCUT, GR |
| 94-2500 | TUBE-SPACER, WHEEL | 94-6396 | BEDKNIFE, HIGHCUT,(GREENS |
| 94-2621 | ELEMENT-FILTER | 94-6710 | FUSE-2 AMP |
| 94-2660 | GASKET-FLANGE | 94-6826 | STRAINER-FUEL |
| 94-2690 | FILTER-FUEL | 94-6936 | WASHER-HARDENED |
| 94-2694-01 | COVER-RH | 94-7227 | FILTER |
| 94-2701 | WASHER-HARDENED | 94-7372 | ELEMENT-BRUSH, POLY |
| 94-2702 | BOLT-HH | 94-8141 | HYD CYLINDER ASM |
| 94-2703 | PLUG | 94-8170 | BRACKET-FRONT |
| 94-2710 | BEARING | 94-8171 | FRONT WIEHLE ROLLER ASM |
| 94-2732 | INSERT-THREADED, RH | 94-8196 | WASHER-NYLON |
| 94-2733 | INSERT-THREADED, LH | 94-8197 | TUBE-PIVOT |
| 94-2738 | SCREW- CARR SN,M8X1.25X25 | 94-8198 | PIN |
| 94-2747 | TAB-STOP | 94-8199 | TUBE-PIVOT |
| 94-2958 | STUD/BALL | 94-8693 | WHEEL ASM |
| 94-3256 | BELT | 94-8908 | SEAL - GREASE |
| 94-3405 | BEARING-BALL | 94-8936 | BEDKNIFE, LC, EXT, RM (FA |
| 94-3477 | HYD HOSE ASM | 94-8945 | BUSHING |
| 94-3489 | SCREW-HH | 94-9024 | LAMP ASM |
| 94-3559 | SCREW-HSH | 94-9202 | SHAFT-DETHATCHER |
| 94-3621 | FRONT GRASS SHIELD ASM | 94-9210 | SHAFT-WHEEL, REAR |
| 94-3695-01 | PLATE-SIDE REEL, RH | 94-9211 | WHEEL ASM |
| 94-3697-01 | LH SIDE PLATE ASM | 94-9213 | COLLAR-SHAFT |
| 94-3829 | PIN-CLEVIS | 94-9214 | NUT-SPLINE, LH |
| 94-3951 | FILTER | 94-9219 | SCRAPER-ROLLER, RH |
| 94-4208 | HOURLMETER | 94-9220 | SCRAPER-ROLLER, LH |
| 94-4307 | NUT-HEX, LOCK | 94-9226 | BRACKET-SCRAPER |
| 94-4328 | SHAFT - REAR ROLLER | 94-9411 | DIPSTICK |
| 94-4329 | SHAFT-FRONT ROLLER | 94-9609 | BUSHING-STRAIGHT |
| 94-4335 | TUBE ASM-REAR ROLLER | 94-9610 | BUSHING-FLANGE |
| 94-4507 | COUPLER-SPLINED | 94-9611 | HANDLE |
| 94-4543 | SPRING-WIRE, FLAT | 94-9614 | PIVOT-ROLLER |
| 94-4544 | SPACER | 94-9617 | PIN-SPRING |
| 94-4548 | BUMPER-RECESSED | 94-9618 | SPACER-SPRING |
| 94-4969 | REAR GRASS SHIELD ASM | 94-9619 | BUSHING |
| 94-4982 | FULL ROLLER ASM | 94-9620 | SPRING-TORSION |
| 94-4993 | WIEHLE ROLLER ASM (32" C/ | 94-9625 | R.H. CARRIER ASM - GR3200 |
| 94-5053 | FRONT GRASS SHIELD ASM | 94-9648 | BALL STUD |
| 94-5079 | BEDKNIFE-LOWCUT | 95-0532 | RUBBER BUSHING ASM |
| 94-5236 | TIRE | 95-0550 | MANIFOLD-EXHAUST |

PARTS LIST

| Part Number | Description |
|-------------|--------------------------|
| 95-0551 | TUBE-EXHAUST |
| 95-0552 | MUFFLER |
| 95-0555 | HOSE-SUCTION |
| 95-0556-03 | BASE-ENGINE |
| 95-0559 | TUBE-RH, REAR |
| 95-0563 | TUBE-LH |
| 95-0564 | TUBE-RH, FRONT |
| 95-0568-01 | BRACKET-BULKHEAD |
| 95-0575 | TUBE-VALVE, SHUTTLE |
| 95-0576-03 | BASE-TANK, FUEL |
| 95-0577 | FITTING-BULKHEAD |
| 95-0582 | HOSE-INTAKE, AIR |
| 95-0584 | ROD-CONTROL |
| 95-0586 | CLAMP ASM |
| 95-0590-03 | BASE-TANK, HYD |
| 95-0591 | HOSE-HYD |
| 95-0592 | HOSE ASM |
| 95-0594 | FITTING-CAP |
| 95-0595 | HOSE-HYD |
| 95-0599 | WIRE ASM |
| 95-0600-01 | FRAME ASM |
| 95-0601-01 | VALVE SHROUD ASM |
| 95-0610 | ENGINE COVER ASM |
| 95-0611 | BRACKET-RH |
| 95-0612 | BRACKET-LH |
| 95-0620-01 | STRIP-RETAINER |
| 95-0621 | WHEEL AND TIRE ASM |
| 95-0625 | ROD-TRAVERSE |
| 95-0632-03 | COVER |
| 95-0636 | LEVER-BRAKE |
| 95-0637-03 | PLATE-SEAT |
| 95-0642 | LOCKNUT-BULKHEAD |
| 95-0643 | TUBE-VALVE TO COOLER |
| 95-0646 | DECAL-SERVICE |
| 95-0647 | DECAL-CONTROL |
| 95-0648 | DECAL |
| 95-0707 | BEARING-ALIGNING, SELF |
| 95-0728 | BELT-DRIVE, POLY-V |
| 95-0745 | SCREW-TAPERED |
| 95-0772 | SPRING-COMPRESSION |
| 95-0930 | FULL ROLLER ASM |
| 95-1629 | HINGE-LOWER |
| 95-1633 | HOC ADJUST ASM |
| 95-1634-01 | FRAME-REEL ASM |
| 95-1635-01 | REEL FRAME ASM |
| 95-1636 | STRIP-SEAL |
| 95-1638 | BRACKET-REAR, HOC ADJUST |
| 95-1642-01 | WEIGHT-COUNTER |
| 95-1653 | SWITCH-POLE, SINGLE |
| 95-1811 | V-BELT |
| 95-1828 | HUB-GEAR, RING |
| 95-2450 | DIAPHRAM CAP 20PSI |
| 95-2625 | TIRE (18X8.5-10) 4-PLY |
| 95-2638 | TIRE (24X13-12) 4-PLY |
| 95-2741 | RIM-WHEEL, HALF |
| 95-2789 | NUT-CONE |
| 95-2790 | NUT-CONE, TALL |
| 95-2793 | NUT-ADJUSTMENT, BEARING |
| 95-2903 | ANGLE-BASKET SEAL |
| 95-2907 | HOSE ASM |

| Part Number | Description |
|-------------|---------------------------|
| 95-2908 | HOSE-HYD |
| 95-2909 | HOSE-HYD |
| 95-2910 | ROLLER ASM |
| 95-2912 | SHAFT-ROLLER |
| 95-2932 | BRACKET-PULLEY |
| 95-2941-01 | STEERING ARM |
| 95-3070 | BLADE & BELT KIT |
| 95-3071 | BLADE AND BELT KIT |
| 95-3072 | BLADE & BELT KIT |
| 95-3073 | KIT-BLADE AND BELT |
| 95-3076 | WHEEL KIT-CASTOR |
| 95-3077 | CASTER WHEEL KIT |
| 95-3078 | SPINDLE KIT - GM2XX 52" |
| 95-3079 | SPINDLE KIT |
| 95-3081 | KIT-SPINDLE |
| 95-3082 | 10-INCH CASTER WHEEL KIT |
| 95-3083 | 8-INCH CASTER WHEEL KIT |
| 95-3084 | CASTOR WHEEL KIT |
| 95-3085 | CASTER WHEEL SET KIT |
| 95-3086 | WHEEL SET KIT,72"RD |
| 95-3087 | BLADE & BELT KIT |
| 95-3088 | BLADE & BELT KIT |
| 95-3089 | LH SPINDLE ASM |
| 95-3090 | CENTER SPINDLE ASM |
| 95-3091 | SPINDLE KIT |
| 95-3094 | BLADE & BELT KIT |
| 95-3095 | RH SPINDLE ASM |
| 95-3147 | BEDKNIFE-MICRO CUT |
| 95-3348 | TIRE |
| 95-3465 | TIRE |
| 95-3577 | BUSHING |
| 95-3703 | WASHER-SPRING, WAVE |
| 95-4256 | SPRING-COMPRESSION |
| 95-4356 | FITTING |
| 95-4387 | SPINDLE SHAFT ASM - CTR |
| 95-4389 | KIT-OVERHAUL |
| 95-5622 | HANGER-RUBBER |
| 95-5719 | BLADE-GROOMER |
| 95-5805 | AIR CLEANER ASM |
| 95-5806 | BRACKET-MOUNTING |
| 95-5807 | SPACER |
| 95-5817 | FRONT SHIELD ASM |
| 95-5825 | WIRE ASM |
| 95-5826 | SHIELD-RUBBER |
| 95-5833 | GUIDE-LEVER |
| 95-5840-03 | SHIELD-BASE, SEAT |
| 95-5942 | ELEMENT-BRUSH, WIRE (OPTI |
| 95-5943 | ROLLER ASM |
| 95-5946 | SHAFT-ROLLER |
| 95-5959-01 | PULLEY SUPPORT ASM |
| 95-5965 | CABLE-STEERING |
| 95-5966 | HOSE-INLET, PUMP |
| 95-5984 | HOSE-HYD |
| 95-5985 | HOSE-HYD |
| 95-5986 | HYD HOSE ASM |
| 95-5987 | HOSE-HYD |
| 95-5988 | HOSE-HYD |
| 95-5989 | HOSE-HYD |
| 95-6448 | SPACER |
| 95-7119 | HOSE-LINE, RETURN |

| Part Number | Description |
|-------------|---------------------------|
| 95-7140-01 | TUBE CAP ASM |
| 95-7148 | HOUSING-BEARING |
| 95-7149 | PULLEY-STEERING, FRONT |
| 95-7158 | PIN-PIVOT |
| 95-7497 | BUSHING-WHEEL |
| 95-7733-01 | BRKT.- HOC, MACH. |
| 95-8531 | SHAFT-PIVOT, LIFTARM |
| 95-8568-03 | FRAME-LOWER |
| 95-8575 | PIN-CLEVIS |
| 95-8581 | 2-SPOOL CONTROL VALVE ASM |
| 95-8601 | GEAR PUMP ASM |
| 95-8620 | TANK-FUEL |
| 95-8689 | SINGLE SPOOL CONTROL VALV |
| 95-8694 | HYD MOTOR ASM |
| 95-8724-03 | SCREEN-HOOD |
| 95-8730 | V-BELT |
| 95-8739-01 | BEDBAR |
| 95-8748-01 | BEDBAR |
| 95-8752 | ARM-SPRING |
| 95-8753-01 | 27 INCH REEL FRAME ASM |
| 95-8755-01 | REEL FRAME ASM |
| 95-8783 | TUBE ASM |
| 95-8784 | TUBE ASM |
| 95-8796-03 | SUPPORT-BATTERY |
| 95-8802 | PULLEY-IDLER |
| 95-8803 | BUSHING-FLANGE |
| 95-8805 | BUSHING |
| 95-8826 | HOSE ASM |
| 95-8827 | HOSE ASM |
| 95-8828 | HOSE ASM |
| 95-8835 | HOSE ASM |
| 95-8836 | HOSE ASM |
| 95-8837 | HOSE ASM |
| 95-8840 | HOSE ASM |
| 95-8843 | HOSE-HYD |
| 95-8853 | CABLE-BATTERY, POSITIVE |
| 95-8854 | CABLE-BATTERY, NEGATIVE |
| 95-8861 | SLIDE |
| 95-8884 | CLAMP |
| 95-8904-03 | BRACKET-CLAMP |
| 95-8905-01 | FORK-REAR |
| 95-8933-03 | PLATE-MOUNT, PUMP |
| 95-8934 | RADIATOR |
| 95-8971 | GAUGE-FUEL |
| 95-8972 | GROMMET |
| 95-8979 | SHAFT |
| 95-8980 | TUBE ASM |
| 95-8981 | TUBE ASM |
| 95-8982 | TUBE ASM |
| 95-8990 | SHAFT-PIVOT, REAR |
| 95-8999 | SWITCH |
| 95-9185 | CLAMP |
| 95-9186 | CAP |
| 95-9188 | NOZZLE SS 1.GPM |
| 95-9191 | O-RING |
| 95-9193 | CAP-DIAPHRAM |
| 95-9221 | NOZZLE SS .2GPM |
| 95-9222 | NOZZLE SS .4GPM |
| 95-9223 | NOZZLE SS .5GPM |
| 95-9224 | NOZZLE SS .6GPM |

| Part Number | Description |
|-------------|---------------------------|
| 95-9225 | NOZZLE SS .8GPM |
| 95-9226 | NOZZLE SS 1.5GPM |
| 95-9648 | KNOB |
| 98-0152 | KNOB-TAPERED |
| 98-0616 | MUFFLER |
| 98-0642 | HYD HOSE REPLACEMENT KIT |
| 98-0647 | HOSE-HYD, TRACTION, RH (L |
| 98-0648 | HYD HOSE ASM |
| 98-0649 | HOSE-HYD |
| 98-0668 | NUT |
| 98-0917 | ROD-PROP |
| 98-0924-01 | GUIDE-CHAIN |
| 98-0925 | BRACKET-CHAIN |
| 98-0973 | PIN-GROOVED |
| 98-0996 | STEERING SHFT KIT-SANDPRO |
| 98-1450 | RM5000 REAR ROLLER SCRAPE |
| 98-1471 | WHEEL-STEERING |
| 98-1483 | SCREW-LINK, PULL |
| 98-2150 | HOSE-HYD |
| 98-2153 | HYD HOSE ASM |
| 98-2160 | VOLTMETER |
| 98-2161 | CABLE-BATTERY, POSITIVE |
| 98-2178 | SCREW - HSFH |
| 98-2181 | 5 BLD REELHD GR3200 (FAIR |
| 98-2194 | SLEEVE-GREASE |
| 98-2196 | ROD-SHIELD |
| 98-2330 | PIVOT PIN ASM |
| 98-2389 | SPACER-LINK, PULL |
| 98-2859 | CASTOR WHEEL ASM |
| 98-2947 | V-BELT - ALTERNATOR |
| 98-2982 | FILTER-ELEMENT, SAFETY |
| 98-3551 | GRASS SHIELD ASM |
| 98-3587-01 | FRAME-DETHATCHER ASM |
| 98-3921 | BELT |
| 98-3999 | FLAP-SIDE |
| 98-4166 | BUSHING |
| 98-4583 | HYD HOSE ASM |
| 98-4584 | HYD HOSE ASM |
| 98-4587 | HYD HOSE ASM |
| 98-4590 | HOSE-HYD |
| 98-4639 | BEARING-CONE |
| 98-4871 | BUSHING-TENSION |
| 98-5208 | BEARING-ROLLER |
| 98-5215 | BEARING-BALL, RADIAL |
| 98-5918 | GRASS SHIELD ASM |
| 98-5920-01 | SCRAPER-WIEHLE ASM |
| 98-5933 | BAR-CUT OFF |
| 98-7068-01 | CASTOR FORK ASM |
| 98-7257 | SCRAPER ASM (WELDED) |
| 98-7260 | BEDKNIFE-TOURNAMENT CUT |
| 98-7261 | BEDKNIFE-MICROCUT |
| 98-7264 | WIEHLE ROLLER-WIDE .43" (|
| 98-7300-01 | FORK-CASTOR ASM |
| 98-7302-01 | FORK-CASTOR |
| 98-7312 | 12 INCH WHEEL ASM |
| 98-7313 | TIRE-12 INCH |
| 98-7400 | HOSE ASM |
| 98-7401 | HOSE ASM |
| 98-7402 | HOSE ASM |
| 98-7403 | HOSE ASM |

PARTS LIST

| Part Number | Description |
|-------------|---------------------------|
| 98-7404 | HOSE ASM |
| 98-7406 | HOSE ASM |
| 98-7407 | HOSE ASM |
| 98-7408 | HOSE ASM |
| 98-7410 | HOSE ASM |
| 98-7413 | HOSE ASM |
| 98-7419 | ELEMENT-BREATHER |
| 98-7612 | FILTER-FUEL |
| 98-7693 | ALTERNATOR ASM |
| 98-7705 | V-BELT |
| 98-7769 | STUD |
| 98-7912 | TUBE-SPANNER |
| 98-7913 | TUBE-SPACER |
| 98-7921-01 | FORK-CASTOR ASM |
| 98-7966 | ROLLER ASM-2 1/2 DIA |
| 98-7978 | FRONT GRASS SHIELD ASM |
| 98-8153 | HOSE-RETURN |
| 98-8159 | PIVOT |
| 98-8173 | PIN-PIVOT, AXLE |
| 98-8676 | DECAL-CAUTION |
| 98-8677-01 | INSERT-STANDARD |
| 98-8687 | DECAL-PRESSURE, AIR |
| 98-8688 | DECAL-CAUTION |
| 98-8690 | HUB ASM |
| 98-8691 | WHEEL ASM |
| 98-8754 | LATCH-RAMP |
| 98-8756 | SPACER-STOP |
| 98-8759 | HINGE-ROD |
| 98-8761-01 | GUIDE-WHEEL |
| 98-8766-01 | AXLE ASM |
| 98-8775 | MAT-RAMP |
| 98-8776 | MAT-BED |
| 98-8777 | SPACER |
| 98-9305 | WATER / FUEL FILTER ASM |
| 98-9311 | SWIVEL-THROTTLE |
| 98-9416 | SWITCH-OIL |
| 98-9493 | ELEMENT-BREATHER |
| 98-9676 | V-BELT |
| 98-9705 | STARTER ASM |
| 98-9764 | ELEMENT |
| 99-0815 | O-RING - DUST SEAL, VITON |
| 99-0853 | NOZZLE FILTERS 50 MESH |
| 99-1091 | TIRE |
| 99-1268 | CASTOR WHEEL ASM |
| 99-1283 | SPACER |
| 99-1291 | SPACER |
| 99-1297 | IDLER ARM ASM |
| 99-1453 | CARRIER ASM - CENTER |
| 99-1454 | CARRIER ASM - LH |
| 99-1456 | PAD-UNIT, CUTTING |
| 99-1460 | BALL JOINT RECEIVER ASM |
| 99-1469 | HOSE-RADIATOR |
| 99-1611 | SHAFT |
| 99-1612 | BLADE-SPIKER |
| 99-1613 | SPACER |
| 99-1615 | REAR ROLLER ASM |
| 99-1635 | SPACER |
| 99-1637-01 | PLATE-SCRAPER |
| 99-1644 | DASH SHROUD ASM |
| 99-2022 | BELT |

| Part Number | Description |
|-------------|---------------------------|
| 99-2023 | BELT-DRUM |
| 99-2047 | BUSHING |
| 99-2079 | SPACER |
| 99-2087 | SPACER |
| 99-2093 | NUT-ADJUSTER, BEDBAR |
| 99-2096 | SCREW-ADJUSTER, BEDBAR |
| 99-2097 | DETENT |
| 99-2098 | WASHER |
| 99-2318 | V-BELT |
| 99-2996 | TIRE |
| 99-3139 | NUT |
| 99-3373 | BAR-SUPPORT, SLIDE |
| 99-3404 | HOUSING-BEARING |
| 99-3412-03 | PULLEY |
| 99-3439 | HOSE ASM |
| 99-3472 | WEIGHT-LEAD |
| 99-3478 | TREAD-FOOT |
| 99-3514 | COVER |
| 99-3545 | SPACER |
| 99-3619 | BELT-3V |
| 99-3620 | PULLEY-3V, PUMP |
| 99-3623-03 | ARM-IDLER |
| 99-3624 | SHAFT-PIVOT, IDLER |
| 99-3626 | PULLEY-3V |
| 99-3631 | BUSHING-FLANGE |
| 99-3641 | CLAMP-TUBE |
| 99-3757 | COUPLING-FLEX |
| 99-3767 | NUT-LOCK, BEARING |
| 99-3773 | BOLT-PLOW |
| 99-3782 | SCREW-HOC |
| 99-3792 | BRACKET-ROLLER, REAR |
| 99-3794-03 | BEDBAR-AGGRESSIVE |
| 99-3801 | SEAL-OIL |
| 99-3841 | ROLLER-FULL, ALUMINUM |
| 99-3842 | SEAL-OIL, NON-VENTED GRBX |
| 99-4072 | SPACER |
| 99-4103 | SHIELD ASM-REAR |
| 99-4109 | SPACER |
| 99-4115 | FRONT LIFT FRAME ASM |
| 99-4116 | REAR LIFT FRAME ASM |
| 99-4126 | CENTER LIFT ARM ASM |
| 99-4152 | DEFLECTOR-REEL, LH |
| 99-4182-01 | LH CLEVIS ASM |
| 99-4183-01 | RH CLEVIS ASM |
| 99-4201 | TUBE-SPACER |
| 99-4208 | SHROUD-CONSOLE |
| 99-4209 | SHAFT-ROLLER |
| 99-4210 | ROLLER-ANTI SCALP |
| 99-4212 | LH LIFT ARM ASM |
| 99-4213 | RH LIFT ARM ASM |
| 99-4243 | BUSHING-FLANGE |
| 99-4248 | SPACER |
| 99-4258 | RH LINK BRACKET ASM |
| 99-4260 | LH LINK BRACKET ASM |
| 99-4270 | EXTENSION-ARM, PULL |
| 99-4500 | SEAL-GREASE |
| 99-4502 | HUB |
| 99-4503 | CAP-GREASE |
| 99-4504 | PLUG-CAP, GREASE |
| 99-4505 | WASHER |

| Part Number | Description |
|-------------|---------------------------|
| 99-4506 | TIRE |
| 99-4507 | RIM |
| 99-4508 | NUT-CASTLE |
| 99-4509 | WASHER-TANG |
| 99-4543-01 | TONGUE-TRAILER |
| 99-5107 | NUT-LOCK |
| 99-5432 | RIM |
| 99-5434 | TIRE |
| 99-5493 | PULLEY-IDLER |
| 99-5501 | BRAKE CABLE ASM |
| 99-5608-03 | SPRING-TORSION, RH |
| 99-5609-03 | SPRING-TORSION, LH |
| 99-5614 | HYD HOSE ASM |
| 99-5617 | SLEEVE-PROTECTIVE |
| 99-5621 | GUIDE-HOSE |
| 99-5648 | SLEEVE-PROTECTIVE |
| 99-5652 | BRAKE ASM & LEVER |
| 99-5653 | RH HOC WA & SCREW |
| 99-5654 | LH HOC WA & SCREW |
| 99-5672 | NUT-BEARING ADJ. |
| 99-5678 | IDLER PULLEY ASM |
| 99-5748 | SHAFT-ROLLER |
| 99-5749 | FULL ROLLER ASM |
| 99-6193 | HOSE ASM |
| 99-6216 | ROLLER-WIEHLE |
| 99-6240 | WIEHLE ROLLER ASM |
| 99-6241 | WIEHLE ROLLER ASM (.20 IN |
| 99-6858 | BRACKET-HOC, UPDATE KIT |
| 99-6964 | BUSHING-AXLE |
| 99-6969 | SEAL-OIL, WHEEL END |
| 99-7133 | V-BELT-STARTER |
| 99-7140 | SPRING-TORSION |
| 99-7143 | BELT-DRIVE |
| 99-7144 | BELT-DRIVE |
| 99-7214 | PAWL-BRAKE |
| 99-7300 | TIRE(20X10-8) 4-PLY |
| 99-7420 | PLUG-HOLE |
| 99-7430 | RELAY-MINI 280 |
| 99-7435 | RELAY |
| 99-7532 | BEARING-ROLLER, TAPER |
| 99-7534 | BEARING-BALL |
| 99-7570 | BEARING-ROLLER, TAPER |
| 99-7963-03 | PEDAL-PARK |
| 99-8150 | CONTROL-THROTTLE |
| 99-8162 | KIT-REPAIR, SEAL |
| 99-8163 | SEAL KIT |
| 99-8168 | COLLAR-HOC |
| 99-8193 | RADIATOR |
| 99-8343 | GASKET-MUFFLER |
| 99-8351 | FILTER-FUEL, INLINE |
| 99-8358 | ELEMENT KIT |
| 99-8432 | WASHER-THRUST |
| 99-8611 | SPACER |
| 99-8661 | ROD-SPRING |
| 99-8662 | TUBE-SPRING |
| 99-8664 | SCREW-HH |
| 99-8675 | SHOULDER ROLLER ASM |
| 99-8686 | WIEHLE ROLLER ASM |
| 99-8693 | ROD-SUPPORT |
| 99-8698-01 | BEDBAR |

| Part Number | Description |
|-------------|---------------------------|
| 99-9156 | BELT-V |
| 99-9209 | ALTERNATOR |
| 99-9770 | BELT-V |
| 99-9771 | BELT-V |
| 99-9827 | CUP-SCALP, ANTI |
| AU218-5106 | FITTING-ELB 90 |
| GVA15201 | AIR CLEANER ELEMENT (22.5 |
| GVA15205 | OIL FILTER (22.5 HP ROBIN |
| H292327 | BLADE PLASTIC |
| KW10676 | SPARK PLUG |
| SBC17000 | V-BELT |
| SG148154 | SPRING ASM |
| SG148160 | SPRING ASM |
| SG481512 | SPRING-COMPRESSION |
| SG482016 | WIRE-BAR, DRAW |
| SG482017 | WIRE-BAR, DRAW |
| SG487054 | 3 WIRE SPRING ASM |
| SG487255 | WIRE-DRAW BAR |
| SG487256 | WIRE-DRAW, SPRING |
| SG487257 | SPRING-COMPRESSION |
| SG487275 | SPRING-COIL |
| SG487276 | DRAW BAR-WIRE |
| SG487277 | BAR-DRAW, ANTI-CROSS LOOP |
| SG487278 | SPRING ASM |
| SG715802 | ADAPTER SLEEVES (SR75) |
| SGA08313 | SLEEVE-ADAPTER |
| SGA10375 | 54/70 ADAPT. SLEEVE FOR |
| SGA12375 | 48/72 ADAPT. SLEEVE FOR 3 |
| SGC05550 | TINE ASM-SIDE EJECT |
| SGC07624 | TINE ASM-SIDE EJECT |
| SGC07625 | TINE ASM-SIDE EJECT |
| SGC07750 | TINE ASM-SIDE EJECT |
| SGC07754 | TINE ASM-SIDE EJECT |
| SGC08100H | TINE ASM-SIDE EJECT |
| SGC08123 | TINE ASM-SIDE EJECT |
| SGC08125 | TINE ASM-SIDE EJECT |
| SGC10100H | TINE ASM-SIDE EJECT |
| SGC10100S | TINE ASM-SIDE EJECT |
| SGC10750 | TINE ASM-SIDE EJECT |
| SGC10754 | TINE ASM-SIDE EJECT |
| SGC10755 | TINE ASM-SIDE EJECT |
| SGC10813H | TINE ASM-SIDE EJECT |
| SGC12123 | TINE ASM-SIDE EJECT |
| SGC12125 | TINE ASM-SIDE EJECT |
| SGS07313 | TINE-SOLID 5/16" X 8.50" |
| SGS08313 | TINE-SOLID 5/16" X 10" |
| SGS08375 | TINE-SOLID 3/8" X 9.00" |
| SGS08500 | TINE-SOLID 12MM X 8.00" |
| SGS10374 | TINE-SOLID 3/8" X 10.75" |
| SGS10375 | TINE-SOLID 3/8" X 12.15" |
| SGS10500 | TINE-SOLID 12MM X 12.20" |
| SGS10504 | TINE-SOLID 12MM X 10.75" |
| SGS10750 | TINE-SOLID 18MM X 12.25" |
| SGS10875 | TINE-SOLID 7/8" X 12.50" |
| SGS10876 | TINE-SOLID 7/8" X 12.43" |
| SGS12500 | TINE-SOLID 12MM X 14.25" |
| SGS12750 | TINE-SOLID 18MM X 14.25" |
| SGS12875 | TINE-SOLID 7/8" X 14.00" |
| SGS12876 | TINE-SOLID 7/8" X 14.00" |
| SGS14500 | TINE-SOLID 12MM X 16.18" |

*Not illustrated. **Not sold separately. See pages 20-33 for kit contents. Prices subject to change without notice. Please see your Parts Catalog or Master Parts Viewer to ensure the correct part is ordered, as the part you need may not be listed above. toro.com/parts

PARTS LIST

| Part Number | Description |
|-------------|---------------------------|
| SGS14750 | TINE-SOLID 18MM X 16.25" |
| SGS14875 | TINE-SOLID 7/8" X 16.00" |
| SGS14876 | TINE-SOLID 7/8" X 15.75" |
| SGS16100 | TINE-SOLID 1.00" X 17.88" |
| SGT05550 | TINE ASM |
| SGT07625 | TINE ASM |
| SGT07750 | TINE ASM |
| SGT08100H | TINE ASM |
| SGT08125 | TINE ASM |
| SGT10100H | TINE ASM |
| SGT10100S | TINE-ASM |
| SGT10750 | TINE ASM |
| SGT10813H | TINE ASM |
| SGT12125 | TINE ASM |
| SVB13600 | V-BELT |
| SVB14520 | RETURN LINE FILTER |

**TORO**[®]

PROTECT YOUR INVESTMENT. KEEP IT 100% TORO[®].

OUR PROMISE TO YOU

To best protect your investment and maintain optimal performance of your turf equipment, count on Toro genuine parts. When it comes to reliability, Toro delivers replacement parts designed to the exact engineering specifications of our equipment. For peace of mind, insist on Toro genuine parts.

TORO PROVIDES:

- **Industry Leading Fill Rates** – Your local channel partner, supported by Toro's parts network, offers the parts you need when you need them.
- **Part Availability** – Most local channel partners deliver parts within 24 hours. Toro backs this promise with 48-hour delivery support.
- **Competitive Pricing** – Toro parts are comparable to will-fit providers.
- **Quality** – Genuine Toro service parts are the same parts used on the original equipment, ensuring maximum performance with less downtime.
- **Unparalleled Customer Service** – Count on dedicated support for your Toro parts needs.
- **Peace of Mind** – With genuine Toro parts, you get the right part with the correct specifications. There's no need to wonder if the part will work.

www.toro.com



WHEN WE SAY **COUNT ON IT**, WE MEAN IT

Every product that carries the Toro brand is backed by over 100 years of history, innovation and timeless dependability. We never stop investing in research and development to give our customers the latest features. That's why Toro is one of the best-known, most trusted brands in the business. We also stand behind our products with a global network of knowledgeable dealers for parts and service support. **Real People. Real Support.**

Smart Features. Proven Dependability.



Count on it.



toro.com
Worldwide Headquarters
The Toro Company
8111 Lyndale Ave. So.
Bloomington, MN 55420 U.S.A.
Phone: (1) 952 888 8801
Fax: (1) 952 887 8258

©2019 The Toro Company.
All Rights Reserved.
19-801-GB

Products depicted in this literature are for demonstration purposes only. Actual products offered for sale may vary in use, design, required attachments and safety features. We reserve the right to improve our products and make changes in specifications, design and standard equipment without notice and without incurring obligation. See your distributor for details on all our warranties.



facebook.com/ToroCompany
twitter.com/TheToroCompany
youtube.com/ToroCompanyEurope