



TIMECUTTER[®] HD & TIMECUTTER

ZERO-TURN MOWERS



THERE'S A **FASTER, EASIER** WAY TO MOW

SMART FEATURES. PROVEN DEPENDABILITY.

Toro's innovative features simplify operation and reduce trimming time so you can spend more time enjoying your lawn instead of mowing it. The Toro TimeCutter® cuts your mowing time significantly, which means less work for you and your mower. You'll not only have more time to enjoy, you'll extend the working life of your mower.



TRADITIONAL TRACTOR

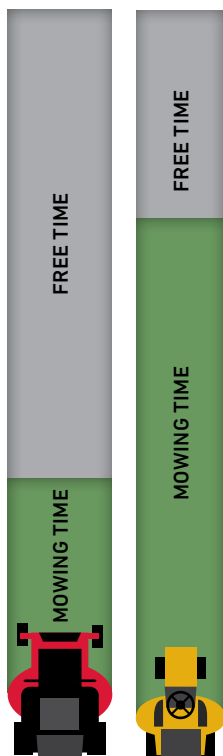


ZERO-TURN MOWER

SAVE TIME AND TURN ON A DIME

Zero-turn mowers have a tighter turning radius than standard riding tractors. They easily maneuver around obstacles in one pass.

SUMMER



Zero-Turn Mower

Tractor

SPEND
**LESS
TIME**
MOWING



TIMECUTTER® FEATURES

HIGH-CAPACITY FUEL TANK

A 3-gal. fuel tank lets you mow longer, while the sight gauge provides a quick view of the fuel level. The large gas cap makes fill-ups easy.



3-YEAR LIMITED WARRANTY*

Backed by one of the best warranties in the industry, the TimeCutter will perform season after season with no hour limitations.

**See retailer for warranty details.*



HEAVY-DUTY CONSTRUCTION

Features thick, 10-gauge steel frames, solid front axles, heavy-duty engine guards and large caster forks for added durability.



Blue MEANS MORE FOR YOU WITH Smart Features FROM TORO

Look for this blue icon throughout the brochure pointing you to innovative and smart features from Toro.

PROFESSIONAL QUALITY OF CUT

Toro is counted on to maintain premier grounds such as professional football fields, speedway infields and the best golf courses in the world.



NEARLY MAINTENANCE-FREE

Deck washout ports come standard to minimize cleaning. Automotive-style sealed deck spindle bearings eliminate the risk of over- or under-greasing.



PREMIUM SEATS

18" extra-tall or 18" thickly padded, premium seats provide ample back support for a smooth, comfortable ride.



VERSATILITY IS STANDARD

Each TimeCutter comes standard with a hitch for pulling a variety of Brinly-Hardy® attachments, providing added versatility.

HD SERIES

HEAVY-DUTY ZERO-TURN MOWERS

CUSTOMIZE YOUR RIDE SETTING

Each person who uses the mower can quickly and easily adjust the ride settings to his or her personal preference, making the TimeCutter® HD with MyRIDE® the king of comfort. *(MyRIDE equipped models only)*

MAXIMUM COMFORT

Once you take hold of the controls, the rest of your body is isolated from the mower. The MyRIDE® suspended operator platform allows you to float with 3" (7.5 cm) of travel – double that of a standard seat-only suspension in this class.

(MyRIDE equipped models only)

EXCELLENT MANEUVERABILITY WITHOUT SACRIFICING COMFORT

Large 22" (56 cm) rear tires ensure better handling and maneuverability, and over 5" (12.7 cm) of secondary suspension between you and the ground means more cushion and a smoother ride.

FAST. COMFORTABLE. HEAVY DUTY.
YOU DESERVE IT ALL.

COMMERCIAL- GRADE NEVER FELT SO GOOD

The TimeCutter® HD zero-turn mower does more than cut grass to perfection. It can also cut your mowing time significantly. But when you're bouncing around on rough terrain, speed won't do you any good without superior comfort to match. The smooth **MyRIDE™ Suspension System** features a suspended operator platform that cushions you from bumps and vibrations, so you can be more productive and stay comfortable. And the heavy-duty **GRADE 50** high-strength steel deck is nearly 50% stronger than other decks¹, so you can power through tough grass. You'll not only enjoy mowing — you'll enjoy more free time.



“Man, do I like this mower! I'm very impressed with the MyRIDE suspension; it is what sold me on the mower. It makes the rough terrain so much more tolerable. Thanks Toro for smoothing out my ride.”

★★★★★ Tman1020 via Toro.com | Indiana, USA



FABRICATED DECK & DECK LIFT PEDAL

Welded together from plates of 10-gauge steel and with bull-nose bumper, this deck can be easily raised over obstacles.



TORO ZX SERIES V-TWIN ENGINE

Built to perform and designed to last with durable cast-iron cylinder liners and full pressure lubrication.



DURABLE TRANSMISSIONS

Dual HG-ZT3100 transmissions have upgraded components for years of heavy use.

¹ Compared to regular 11-gauge steel decks. Deck shell and leading edge are made of high-strength 10-gauge steel.

CUSTOMIZE YOUR RIDE SETTING

Each person who uses the mower can quickly and easily adjust the ride settings to his or her personal preference with the **MyRIDE[®] Suspension System**. (*MyRIDE equipped models only*)

**AWARD
WINNING
FEATURE!**

**SMART SPEED[®]
CONTROL SYSTEM**

Three speed ranges to meet your needs – Trim, Tow, Mow – can be changed on the fly.

HEAVY-DUTY FRAME

The heavy-duty 10-gauge frame provides increased strength, durability and reliable performance.

FABRICATED DECK

Welded together from plates of 10-gauge steel, and a heavy-duty reinforced leading edge, this deck is designed for tough mowing conditions.

WHO KNEW

RUGGED COULD BE SO
COMFORTABLE?



COMMERCIAL-STYLE FABRICATED DECK

Welded together from plates of 10-gauge steel, and a .25" thick reinforced leading edge, this fabricated deck is designed for tough mowing conditions.



ULTIMATE COMFORT

Premium, thickly padded 18" extra-tall seats provide ample back support for a smooth, comfortable ride.

Available on most models.



PREMIUM FEATURES

Premium features come standard, including a deck lift pedal, a floor mat, and an hour meter for increased productivity.

Available on most models.

THE HEAVY-DUTY CHOICE FOR HEAVY MOWING USE

TimeCutter® SWX and MX Series mowers are built for heavy use in the toughest conditions, providing years of dependable performance. From their heavy-duty fabricated decks to their upgraded transmissions, they stand up to demanding use. Most models also offer premium, thickly padded seats for maximum comfort.



“It cuts great, handles superbly and is easy to clean using the hose hookup afterwards. On top of that, it's comfortable to drive and the seat is high in the back, making it less fatiguing.”

★★★★★ StephanieY via Toro.com | Andover, MN

TIMECUTTER MX6050

The TimeCutter MX6050 takes the durable, comfortable MX Series one step further, featuring a 60" fabricated deck for increased performance, along with these other great features.



HEAVY-DUTY FRONT END

2.5" x 2.5" fully tubular front axle and heavy-duty 3/8" thick caster forks for added durability.



HEAVY-DUTY DECK CONSTRUCTION

60" fabricated deck features dual supported gauge wheels for increased strength.



BUILT-IN BUCKET HOLDERS

Attach a Toro 5-gallon Bucket to the heavy-duty engine guard to carry tools or pick up trash.



SMART SPEED® CONTROL SYSTEM

Three speed ranges to meet your needs – Trim, Tow, Mow – can be changed on the fly.

HEAVY-DUTY FRAME

The heavy-duty 10-gauge frame provides increased strength, durability and reliable performance.

EXTRA-TALL SEAT

18" (46 cm) extra tall seats for increased comfort.

VERSATILITY

Each TimeCutter comes standard with a hitch for pulling a variety of Brinly attachments.

**FAST, FUN
AND WEEKEND
FRIENDLY**



» SMART SPEED®

Toro's Smart Speed® control system lets you choose from three ground speed ranges, making it easy to learn how to drive. Use low **TRIM** range to trim closer for maximum time savings, choose medium **TOW** range for towing attachments, or select high **MOW** range to mow large open areas and finish quickly.



4" DEEP STEEL DECKS

High-capacity custom formed steel decks provide superior cutting performance in all conditions. Features include a deck washout port for easy cleaning and a top discharge design for superior bagging.



AUTOMATIC PARKING BRAKE

Automatically sets whenever the control arms are moved outward.

SMART DESIGN PUTS YOU IN CONTROL

Looking for a time-saving zero-turn mower? The quick, maneuverable TimeCutter® SS gets the job done fast. Featuring the exclusive Smart Speed control system, the TimeCutter is the only zero-turn mower with three speed ranges, making it easy to learn how to drive and the best for pulling attachments. With a rugged deck and frame — and an unbeatable warranty — you can count on your TimeCutter SS for years to come.



“I'd wanted one for a long time....My wife & I went to look at it and before I knew it, she said sold. When can you deliver it. Took me by surprise. Great cuts every time...I highly recommend it. Worth every penny.”

★★★★★ BB49 via Toro.com | Youngstown, OH

EASY OPERATION

LEVER STEERING: PUSH OR PULL AS SHOWN TO STEER WHERE YOU WANT TO GO.



FORWARD



TURN RIGHT



STOP



TURN LEFT



REVERSE

PREMIUM SEATS

18" (46 cm) extra tall seats for increased comfort

INTUITIVE STEERING WHEEL

An adjustable column make these zero turn tractors a great choice and easy to get on and off of.

VERSATILITY

TimeCutter comes standard with a hitch for pulling a variety of Brinly attachments.

SMART PARK™ BRAKING SYSTEM

Toro's unique braking system automatically stops the mower deck and sets the parking brake when you need to get off the mower while keeping the engine running, for added convenience and ease of use.

AWARD WINNING FEATURE!

THE IDEAL COMBINATION



THE ZERO-TURN TRACTOR

Now you can have your lawn tractor and your zero-turn too. Toro's innovative TimeCutter® SW mowers are the perfect blend of both. You get the controls and side hill stability of a lawn tractor with the maneuverability and time savings of a zero-turn mower.

“From literally almost no learning curve with being brand new to a zero turn mower, to the speed and ease this mower makes of my yard. This is a great machine so far!”

★★★★★ AJZ3 via Toro.com | Springboro, OH



▶ SMART PARK™ BRAKING SYSTEM

Toro's unique braking system automatically stops the mower deck and sets the parking brake while keeping the engine running when you need to get off the mower. Just tap the pedal to release the brake and go.



▲2015 Pro Tool Innovation Award Winner



TORO COMMERCIAL V-TWIN ENGINE

Features a patent pending self-cleaning air filter housing and a two-barrel carburetor for maximum performance.

Available on most models.

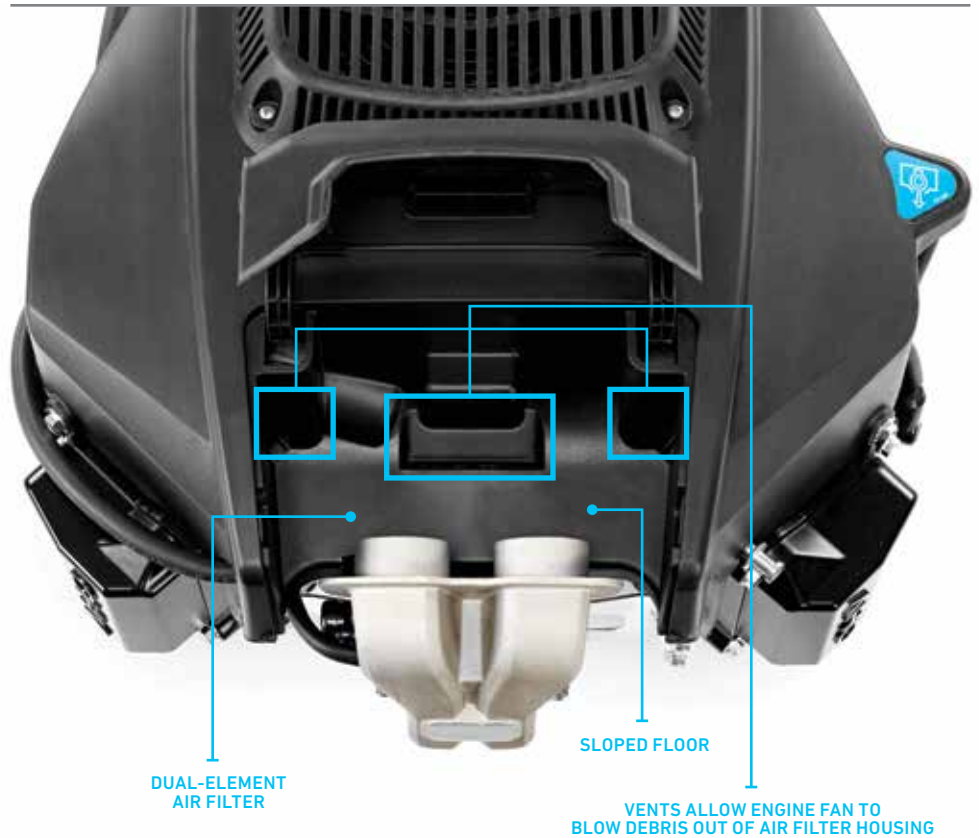


ADJUSTABLE STEERING COLUMN

Steering column adjusts for maximum comfort for any operator.

THE RIGHT ENGINE FOR YOUR MOWER

The Toro® single cylinder and new Toro Commercial V-Twin engines — the same ones found on some of our industry-leading commercial zero-turn mowers — were specifically created to deliver optimal performance in our mowers by matching the torque curve of the engine to the needs of the Toro decks it powers. Their intelligent design and tight tolerances help the governor respond faster with more power when you need it, so you're ready to handle your toughest outdoor tasks. With heavy-duty components and innovative features, it's the perfect match for the job you need to do.



TWO-BARREL CARBURETOR

The two-barrel carburetor allows a stream of air and fuel mixture to be dedicated to each cylinder separately for maximum power and performance. Available on V-Twin engines only.



» QUICK-DRAIN OIL HOSE

Just pop the hose out of its holder to drain the oil and pop it back in its holder when finished, no tools required. Available on V-Twin engines only.



» SELF-CLEANING AIR FILTER HOUSING

This patent-pending system features a self-cleaning air filter housing with a dual-element air filter and a sloped floor that keeps debris out of the engine — maximizing filter life and engine performance.





AUTOMOTIVE-STYLE PISTON ASSEMBLY



5-BOLT HEADS



CAST-IRON CYLINDER LINER



HEAVY-DUTY AIR CLEANER HINGE

HEAVY-DUTY CONSTRUCTION

ZX SERIES ENGINE BENEFITS:

AUTOMOTIVE-STYLE PISTON ASSEMBLY. Triple ring design reduces engine oil consumption and blowby for maximum power.

5-BOLT HEADS. Provide tighter seal for added durability.

CAST-IRON CYLINDER LINERS. Durable construction delivers extended wear for longer engine life.

HEAVY-DUTY AIR CLEANER HINGE.¹ Tough components are built to last for added longevity.

LARGE BEARING MOUNTS. Increased size better distributes loading to help the engine last longer.

¹ V-Twin engines only.

ENGINE	Toro® OHV*	Toro Commercial V-Twin with Self-Cleaning Air Filter Housing*	
DISPLACEMENT	452cc	708cc	708cc
HORSEPOWER	N/A	22.5	24.5
MODELS	TimeCutter® SS TimeCutter MX TimeCutter SW	TimeCutter SS TimeCutter MX TimeCutter SW TimeCutter SWX TimeCutter HD	TimeCutter SS TimeCutter MX TimeCutter HD

* The gross horsepower of this engine was laboratory rated at 3600 RPM per SAE J1940 by the engine manufacturer. As configured to meet safety, emission and operating requirements, the actual engine horsepower on these mowers will be significantly lower.



SCAN NOW TO WATCH A VIDEO ON TORO® ENGINES



See your dealer for full details on warranties.



INSIST ON TORO® GENUINE PARTS

Protect the reliability and productivity of your equipment with parts designed specifically for your Toro® products. Made from premium materials and engineered to enhance the safety and performance of your Toro equipment, every part we ship comes with a one-year full warranty. Our responsive Toro dealers have the skills, training and commitment to keep your equipment performing at its best. Leveraging their extensive inventory and Toro's impressive 98% fill rate on parts, your Toro dealer is the best in parts support.



ANTI-VIBRATION FLOOR MAT

132-6921 :Lever Steer
132-6920 :Steering Wheel



ARMRESTS

105-6978 :For 18" seats only
(Standard Seat)
110-5719 :TimeCutter HD (Cut and
Sew Premium Seat)



HOURLY METER

116-5461



STEP KIT / ASSIST HANDLE

79339

Cannot be installed at same time as Jack
Mount Kit 126-5251



TORO ENGINE MAINTENANCE KITS

132-4877 :Toro Single Cylinder
132-4878 :Toro Twin Cylinder



DECK MAINTENANCE JACK MOUNT KIT

126-5251**

Cannot be installed at same time as
Step Kit / Assist Handle 79339

136-9200 :TimeCutter HD



CARGO CARRIER*

79040



DECK MAINTENANCE JACK

127-6666**



SEAT COVER

117-0096 :No armrests
117-0097 :With armrests



PREMIUM TORO® ENGINE OIL

117-0066 :Full Synthetic 10W30 /
SAE30 (1 qt.)
38903 :Standard SAE30 (1 qt.)

*Not available for MX5050 or SWX5050. **Not Available for MX6050. ^Requires Weight Kit (131-7658 for 32" - 54" models, or 136-7492 for 60" model) and Mounting kit (131-3966 for 32" - 54" models, or 136-7491 for 60" model).

BRINLY-HARDY® ATTACHMENTS

With the Smart Speed® control system and the standard hitch, you can now finally tow pull-behind attachments with the speed and precision control they were designed for.



10 CU. FT. CART



SWEEPER



SPRAYER



40" & 48" DETHATCHER



SPREADER



SEE IT IN ACTION!
Scan to see video of the
versatile Toro® TimeCutter.®

COMPLETE YOUR TORO EXPERIENCE



PREMIUM FUEL TREATMENT

131-6572 (12 oz.)



DELUXE COVER

490-7516
137-7012 TimeCutter HD



SUNSHADE*

79011
137-7011 TimeCutter HD



5 GALLON BUCKET

133-2533 Toro 5 gallon bucket
136-7494 Bucket mount kit



FOOT ASSIST HOC

79010



STRIPING KIT

137-5030 42" (2018)
120-7905 50"
131-4165 54"
131-4167 34" Fab
121-5702 42" Fab
121-5706 50" Fab
119-3380 48" TimeCutter HD
117-5319 54"/60" TimeCutter HD



TWIN BAGGER*

79390 32"
79391 42" (2011 - 2017)
79397 42" (2018)
79392 50" / 54"
79393 34" Fab
79394 42" Fab
79395 50" Fab
79396 60" Fab



RECYCLER* MULCH KIT

79017 32"
131-4182 42" (2011 - 2017)
137-7042 42" (2018)
79019 50"
131-4185 54"
131-4184 34" Fab
131-4183 42" Fab
79024 50" Fab
136-7490 60" Fab
136-7488 48" TimeCutter HD
136-7489 54" TimeCutter HD
136-7490 60" TimeCutter HD



BAGGING ENHANCEMENT / BLOWOUT RING KIT

137-7048 42" (2018)
114-1608 50"
131-4166 54"
131-4168 34" Fab
121-5698 42" Fab
121-5692 50" Fab
117-7202 60" Fab
119-3381 48" TimeCutter HD
117-7202 54"/60" TimeCutter HD



HEAVY DUTY SHOCK KIT

137-2042 TimeCutter MX & TimeCutter*
HD with MyRIDE*
(Includes 3 springs)

ADDITIONAL ACCESSORIES AVAILABLE:

LIGHT KIT

136-7493 TimeCutter HD

ROPS KIT

136-7495 TimeCutter HD

DECK LIFT ASSIST KIT

132-6850 TimeCutter HD



HOW TO ORDER:

Your authorized Toro dealer is always your best source for product accessories and parts. You can also visit torodealer.com for more information.

TIMECUTTER® SS & MX SERIES SPECIFICATIONS

MODELS	SS3225† 74710	SS4200 74711	SS4225 74726	SS5000 74731	MX3450 74750
ENGINE¹ AT 3,600 RPM	Toro® 452cc	Toro 452cc	» 22.5 hp Toro Commercial V-Twin 708cc w/Self-Cleaning Air Filter Housing	» 24.5 hp Toro Commercial V-Twin 708cc with Self-Cleaning Air Filter Housing	Toro 452cc
ENGINE GUARD	Standard	Standard	Standard	Standard	Standard
FUEL CAPACITY	3 Gallons (11.4 liters)	3 Gallons (11.4 liters)	3 Gallons (11.4 liters)	3 Gallons (11.4 liters)	3 Gallons (11.4 liters)
MOWING DECK	32" (81 cm) – 13 ga. 1 blade	» 42" (107 cm) – 13 ga. 2 blades	42" (107 cm) – 13 ga. 2 blades	» 50" (127 cm) – 12 ga. 3 blades	34" (86 cm) fab. – 10 ga. 2 blades
BLADE TIP SPEED	18,959 ft/min (5,779 m/min)	17,810 ft/min (5,428 m/min)	17,810 ft/min (5,428 m/min)	18,330 ft/min (5,587 m/min)	17,810 ft/min (5,428 m/min)
DECK WASHOUT PORTS	Standard	Standard	Standard	Standard	Standard
HEIGHT OF CUT	1.5" - 4.5" (3.8 - 11.4 cm)	1.5" - 4.5" (3.8 - 11.4 cm)	1.5" - 4.5" (3.8 - 11.4 cm)	1.5" - 4.5" (3.8 - 11.4 cm)	1.5" - 4.5" (3.8 - 11.4 cm)
DECK LIFT PEDAL	Optional	Optional	Optional	Optional	» Standard
FRAME	Heavy-Duty 10-Gauge	Heavy-Duty 10-Gauge	Heavy-Duty 10-Gauge	Heavy-Duty 10-Gauge	Heavy-Duty 10-Gauge
HITCH	Standard	Standard	Standard	Standard	Standard
ANTI-VIBRATION MAT	Standard	Optional	Optional	Optional	» Standard
TRANSMISSIONS	Dual Hydrostatic HG-ZT2100	Dual Hydrostatic HG-ZT2100	Dual Hydrostatic HG-ZT2100	» Dual Hydrostatic HG-ZT2200	Dual Hydrostatic HG-ZT2200
SMART SPEED*	Standard	Standard	Standard	Standard	Standard
AUTOMATIC PARKING BRAKE	Standard	Standard	Standard	Standard	Standard
STEERING LEVERS	Standard	Standard	Standard	Standard	» Pro-Control Dampers
MOW (F/R)	up to 7 mph/3 mph (11.2 km/h/4.8 km/h)	up to 7 mph/3 mph (11.2 km/h/4.8 km/h)	up to 7 mph/3 mph (11.2 km/h/4.8 km/h)	up to 7 mph/3 mph (11.2 km/h/4.8 km/h)	up to 7 mph/3 mph (11.2 km/h/4.8 km/h)
TOW (F/R)	up to 5.5 mph/2.4 mph (8.8 km/h/3.9 km/h)	up to 5.5 mph/2.4 mph (8.8 km/h/3.9 km/h)	up to 5.5 mph/2.4 mph (8.8 km/h/3.9 km/h)	up to 5.5 mph/2.4 mph (8.8 km/h/3.9 km/h)	up to 5.5 mph/2.4 mph (8.8 km/h/3.9 km/h)
TRIM (F/R)	up to 4 mph/1.7 mph (6.4 km/h/2.7 km/h)	up to 4 mph/1.7 mph (6.4 km/h/2.7 km/h)	up to 4 mph/1.7 mph (6.4 km/h/2.7 km/h)	up to 4 mph/1.7 mph (6.4 km/h/2.7 km/h)	up to 4 mph/1.7 mph (6.4 km/h/2.7 km/h)
TIRES (REAR)	18" x 6.0" (45.7 x 15.2cm)	» 18" x 7.5" (45.7 x 19.1 cm)	18" x 7.5" (45.7 x 19.1 cm)	» 18" x 9.5" (45.7 x 24.1 cm)	18" x 6" (45.7 x 15.2 cm)
TIRES (FRONT)	11" x 4" (27.9 x 10.2 cm)	11" x 4" (27.9 x 10.2 cm)	11" x 4" (27.9 x 10.2 cm)	» 13" x 5" (33 x 12.7 cm)	11" x 4" (27.9 x 10.2 cm)
SEAT	18" (46 cm) Extra-Tall	18" (46 cm) Extra-Tall	18" (46 cm) Extra-Tall	» 18" (46 cm) Premium	» 18" (46 cm) Premium
SEAT SUSPENSION	N/A	N/A	N/A	N/A	» Spring Under Seat
ARMRESTS	Optional	Optional	Optional	Optional	» Standard
HOURLY METER	Standard	Optional	Optional	Optional	» Standard
STORAGE DIMENSIONS (W x L x H)	35.3" x 71.8" x 40.7" (90 x 182 x 103 cm)	45.3" x 71.8" x 37.3" (115 x 182 x 95 cm)	45.3" x 71.8" x 37.3" (115 x 182 x 95 cm)	54.6" x 72.9" x 41.5" (138.7 x 185 x 105 cm)	38.5" x 71.8" x 42.0" (97.8 x 182.4 x 106.7 cm)
RESIDENTIAL LIMITED WARRANTY²	3-Year Unlimited Hours	3-Year Unlimited Hours	3-Year Unlimited Hours	3-Year Unlimited Hours	3-Year Unlimited Hours



1 The gross horsepower of this engine was laboratory rated at 3,600 rpm by the engine manufacturer in accordance with SAE J1940 or SAE J2723.

As configured to meet safety, emission and operating requirements, the actual horsepower on this class of mower will be significantly lower.

We reserve the right to improve our products and make changes in the specifications, designs and standard equipment without notice and without incurring obligation.

2 See retailer for warranty details.

» Enhanced or step-up feature

† Can be maneuvered through a 36" gate

^ 2013 HANDY Magazine Innovation Award Winner (Smart Speed®)

MX4200 74766	MX4250 74760	MX5000 74775	MX5025 74776	MX5075 74768	MX6050 74777
» 22.5 hp Toro Commercial V-Twin 708cc with Self-Cleaning Air Filter Housing	» 24.5 hp Toro Commercial V-Twin 708cc with Self-Cleaning Air Filter Housing	24.5 hp Toro Commercial V-Twin 708cc with Self-Cleaning Air Filter Housing	23 hp Kawasaki® V-Twin 726cc	» 24.5 hp Toro Commercial V-Twin 708cc with Self-Cleaning Air Filter Housing	24.5 hp Toro Commercial V-Twin 708cc with Self-Cleaning Air Filter Housing
Standard	Standard	Standard	Standard	Standard	Standard
3 Gallons (11.4 liters)	3 Gallons (11.4 liters)	3 Gallons (11.4 liters)	3 Gallons (11.4 liters)	3 Gallons (11.4 liters)	3 Gallons (11.4 liters)
» 42" (107 cm) fab. – 10 ga. 2 blades	42" (107 cm) fab. – 10 ga. 2 blades	» 50" (127 cm) fab. – 10 ga. 3 blades	50" (127 cm) fab. – 10 ga. 3 blades	50" (127 cm) fab. – 10 ga. 3 blades	» 60" (152 cm) fab. – 10 ga. 3 blades
17,810 ft/min (5,428 m/min)	17,810 ft/min (5,428 m/min)	18,330 ft/min (5,587 m/min)	18,330 ft/min (5,587 m/min)	18,330 ft/min (5,587 m/min)	18,330 ft/min (5,587 m/min)
Standard	Standard	Standard	Standard	Standard	Standard
1.5" - 4.5" (3.8 - 11.4 cm)	1.5" - 4.5" (3.8 - 11.4 cm)	1.5" - 4.5" (3.8 - 11.4 cm)	1.5" - 4.5" (3.8 - 11.4 cm)	1.5" - 4.5" (3.8 - 11.4 cm)	1.5" - 4.5" (3.8 - 11.4 cm)
Optional	» Standard	Optional	Optional	Optional	» Standard
Heavy-Duty 10-Gauge	Heavy-Duty 10-Gauge	Heavy-Duty 10-Gauge	Heavy-Duty 10-Gauge	Heavy-Duty 10-Gauge	Heavy-Duty 10-Gauge
Standard	Standard	Standard	Standard	Standard	Standard
Optional	» Standard	Optional	Optional	» Standard	Standard
Dual Hydrostatic HG-ZT2100	» Dual Hydrostatic HG-ZT2200	Dual Hydrostatic HG-ZT2200	Dual Hydrostatic HG-ZT2200	Dual Hydrostatic HG-ZT2200	» Dual Hydrostatic HG-ZT2800
Standard	Standard	Standard	Standard	Standard	Standard
Standard	Standard	Standard	Standard	Standard	Standard
Standard Dampers	» Pro-Control Dampers	Standard Dampers	Standard Dampers	Standard Dampers	» Pro-Control Dampers
up to 7 mph/3 mph (11.2 km/h/4.8 km/h) up to 5.5 mph/2.4 mph (8.8 km/h/3.9 km/h) up to 4 mph/1.7 mph (6.4 km/h/2.7 km/h)	up to 7 mph/3 mph (11.2 km/h/4.8 km/h) up to 5.5 mph/2.4 mph (8.8 km/h/3.9 km/h) up to 4 mph/1.7 mph (6.4 km/h/2.7 km/h)	up to 7 mph/3 mph (11.2 km/h/4.8 km/h) up to 5.5 mph/2.4 mph (8.8 km/h/3.9 km/h) up to 4 mph/1.7 mph (6.4 km/h/2.7 km/h)	up to 7 mph/3 mph (11.2 km/h/4.8 km/h) up to 5.5 mph/2.4 mph (8.8 km/h/3.9 km/h) up to 4 mph/1.7 mph (6.4 km/h/2.7 km/h)	up to 7 mph/3 mph (11.2 km/h/4.8 km/h) up to 5.5 mph/2.4 mph (8.8 km/h/3.9 km/h) up to 4 mph/1.7 mph (6.4 km/h/2.7 km/h)	up to 7 mph/3 mph (11.2 km/h/4.8 km/h) up to 5.5 mph/2.4 mph (8.8 km/h/3.9 km/h) up to 4 mph/1.7 mph (6.4 km/h/2.7 km/h)
18" x 7.5" (45.7 x 19.1 cm)	18" x 7.5" (45.7 x 19.1 cm)	» 18" x 9.5" (45.7 x 24.1 cm)	» 20" x 10" (50.8 x 25.4 cm)	20" x 10" (50.8 x 25.4 cm)	20" x 10" (50.8 x 25.4 cm)
11" x 4" (27.9 x 10.2 cm)	11" x 4" (27.9 x 10.2 cm)	» 13" x 5" (33 x 12.7 cm)	13" x 5" (33 x 12.7 cm)	» 13" x 6.5" (33 x 16.5 cm)	13" x 6.5" (33 x 16.5 cm)
18" (46 cm) Extra Tall	» 18" (46 cm) Premium	18" (46 cm) Premium	18" (46 cm) Premium	18" (46 cm) Premium	18" (46 cm) Premium
Spring Under Seat	Spring Under Seat	Spring Under Seat	Spring Under Seat	» MyRIDE® Suspension System	Spring Under Seat
Optional	» Standard	Optional	» Standard	Standard	Standard
Optional	» Standard	Optional	Optional	Optional	» Standard
45.6" x 71.8" x 39.1" (115.8 x 182.4 x 99.3 cm)	45.6" x 71.8" x 42.0" (115.8 x 182.4 x 107 cm)	53.5" x 72.9" x 39.1" (135.9 x 185 x 99.3 cm)	53.5" x 72.9" x 39.1" (135.9 x 185 x 99.3 cm)	53.5" x 72.9" x 43.0" (135.9 x 185 x 109.2 cm)	61.3" x 82.1" x 43.0" (155.7 x 208.5 x 109.2 cm)
3-Year Unlimited Hours	3-Year Unlimited Hours	3-Year Unlimited Hours	3-Year Unlimited Hours	3-Year Unlimited Hours	3-Year Unlimited Hours

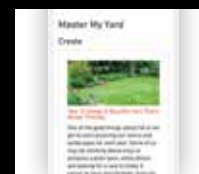
SMART. EASY. CONNECTED.

Manage your Toro equipment with the MyToro® App.* Ever wonder how often you should change your oil or which blades you need for your Toro lawn mower? MyToro serves up essential product resources like:

- Manuals & Service Reminders
- Parts & Maintenance Kits
- Video Tutorials
- Weather, Lawn Care Tips and More



*Not for use outside United States.



Yardcare Help & Tips



Service Notifications



View maintenance how-to videos and illustrated instructions



Add functionality with the Toro Portable Usage Calculator (PUC™)

TIMECUTTER® HD SERIES SPECIFICATIONS

with MyRIDE® SUSPENSION SYSTEM

MODELS	75201	75202	75211	75212	75213
ENGINE¹	22.5 hp Toro® Commercial V-Twin with Self-Cleaning Air Filter Housing	» 24.5 hp Toro Commercial V-Twin with Self-Cleaning Air Filter Housing	22.5 hp Toro Commercial V-Twin with Self-Cleaning Air Filter Housing	» 24.5 hp Toro Commercial V-Twin with Self-Cleaning Air Filter Housing	24.5 hp Toro Commercial V-Twin with Self-Cleaning Air Filter Housing
MOWING DECK	48" (121.9 cm) Fabricated - Grade 50 High Strength 10 ga. Steel Shell	» 54" (137.2 cm) Fabricated - Grade 50 High Strength 10 ga. Steel Shell	48" (121.9 cm) Fabricated - Grade 50 High Strength 10 ga. Steel Shell	» 54" (137.2 cm) Fabricated - Grade 50 High Strength 10 ga. Steel Shell	» 60" (152.4 cm) Fabricated - Grade 50 High Strength 10 ga. Steel Shell
FRONT AXLE	2.5" x 2.5" (6.4 x 6.4 cm) Fully Tubular	2.5" x 2.5" (6.4 x 6.4 cm) Fully Tubular	2.5" x 2.5" (6.4 x 6.4 cm) Fully Tubular	2.5" x 2.5" (6.4 x 6.4 cm) Fully Tubular	2.5" x 2.5" (6.4 x 6.4 cm) Fully Tubular
FUEL CAPACITY	5 Gallons (18.9 L)	5 Gallons (18.9 L)	5 Gallons (18.9 L)	5 Gallons (18.9 L)	5 Gallons (18.9 L)
FRAME	Heavy-Duty 10-Gauge	Heavy-Duty 10-Gauge	Heavy-Duty 10-Gauge	Heavy-Duty 10-Gauge	Heavy-Duty 10-Gauge
DECK WASHOUT PORTS	2 Standard	2 Standard	2 Standard	2 Standard	2 Standard
DECK SPINDLES	7.75" (19.7 cm) dia. housing 1" (2.5 cm) dia. shaft	7.75" (19.7 cm) dia. housing 1" (2.5 cm) dia. shaft	7.75" (19.7 cm) dia. housing 1" (2.5 cm) dia. shaft	7.75" (19.7 cm) dia. housing 1" (2.5 cm) dia. shaft	7.75" (19.7 cm) dia. housing 1" (2.5 cm) dia. shaft
BLADE-TIP SPEED	18,880+ ft/min (5,755+ m/min)	18,644+ ft/min (5,683+ m/min)	18,880+ ft/min (5,755+ m/min)	18,644+ ft/min (5,683+ m/min)	18,908+ ft/min (5,763+ m/min)
ANTI-SCALP ROLLERS	3 Standard	3 Standard	3 Standard	3 Standard	3 Standard
HEIGHT OF CUT / DECK LIFT PEDAL	1.5" - 4.5" (3.8 - 11.4 cm) 13 position	1.5" - 4.5" (3.8 - 11.4 cm) 13 position	1.5" - 4.5" (3.8 - 11.4 cm) 13 position	1.5" - 4.5" (3.8 - 11.4 cm) 13 position	1.5" - 4.5" (3.8 - 11.4 cm) 13 position
TRANSMISSIONS	Dual Hydrostatic HG-ZT3100	Dual Hydrostatic HG-ZT3100	Dual Hydrostatic HG-ZT3100	Dual Hydrostatic HG-ZT3100	Dual Hydrostatic HG-ZT3100
GROUND SPEED²	Up to 8.5 mph (13.7 km/h)	Up to 8.5 mph (13.7 km/h)	Up to 8.5 mph (13.7 km/h)	Up to 8.5 mph (13.7 km/h)	Up to 8.5 mph (13.7 km/h)
TIRES (REAR)	22" x 10" (55.9 x 25.4 cm)	22" x 10" (55.9 x 25.4 cm)	22" x 10" (55.9 x 25.4 cm)	22" x 10" (55.9 x 25.4 cm)	22" x 10" (55.9 x 25.4 cm)
TIRES (FRONT)	13" x 6.5" (33 x 16.5 cm)	13" x 6.5" (33 x 16.5 cm)	13" x 6.5" (33 x 16.5 cm)	13" x 6.5" (33 x 16.5 cm)	13" x 6.5" (33 x 16.5 cm)
SEAT	18" (46 cm) Premium Thickly Padded	18" (46 cm) Premium Thickly Padded	18" (46 cm) Premium Thickly Padded	18" (46 cm) Premium Thickly Padded	18" (46 cm) Premium Thickly Padded
SEAT SUSPENSION	Springs Under Seat	Springs Under Seat	» MyRide® Suspension System	MyRide Suspension System	MyRide Suspension System
ARMRESTS	Standard	Standard	Standard	Standard	Standard
STEERING LEVERS	Pro-Control Dampers	Pro-Control Dampers	Pro-Control Dampers	Pro-Control Dampers	Pro-Control Dampers
ANTI-VIBRATION FLOOR MAT	Standard	Standard	Standard	Standard	Standard
HITCH	Standard	Standard	Standard	Standard	Standard
12V ACCESSORY PORT	Standard	Standard	Standard	Standard	Standard
REAR ENGINE GUARD	Standard, Bucket Ready	Standard, Bucket Ready	Standard, Bucket Ready	Standard, Bucket Ready	Standard, Bucket Ready
SMART SPEED® CONTROL SYSTEM	Standard	Standard	Standard	Standard	Standard
STORAGE DIMENSIONS (L x W x H)	82" x 52.4" x 44" (208.3 x 133.1 x 111.8 cm)	82" x 57.7" x 44" (208.3 x 146.6 x 111.8 cm)	82" x 52.4" x 44" (208.3 x 133.1 x 111.8 cm)	82" x 57.7" x 44" (208.3 x 146.6 x 111.8 cm)	82" x 63" x 44" (208.3 x 160 x 111.8 cm)
ROPS (FOLDABLE FOR STORAGE)	Optional	Optional	Optional	Optional	Optional
HOURLY METER	Standard	Standard	Standard	Standard	Standard
LIMITED WARRANTY³	3 Year / 300 Hour	3 Year / 300 Hour	3 Year / 300 Hour	3 Year / 300 Hour	3 Year / 300 Hour

Specifications subject to change without notice and without incurring obligation. Products depicted in this brochure are for demonstration purposes only. Actual products offered for sale may vary in design, required attachments and safety features.

1 The gross torque of these engines was laboratory rated by the engine manufacturer in accordance with SAE J1940.

As configured to meet safety, emission and operating requirements, the actual engine torque on these mowers will be significantly lower.

2 Maximum ground speed will vary with ground conditions, tire pressure, transmission settings and engine settings.

3 See dealer for warranty details.

» Enhanced or step-up feature

TIMECUTTER® SW / SWX SERIES SPECIFICATIONS

NEW!

MODELS	SW3200 ⁷⁴⁷⁸⁰	SW4200 ⁷⁴⁷⁸⁸	SW5000 ⁷⁴⁷⁹⁰	SWX5000 ⁷⁴⁷⁹⁵	SWX5050 ⁷⁴⁷⁹⁷
ENGINE¹ AT 3,600 RPM	Toro 452cc	» 24.5 hp Toro Commercial V-Twin 708cc with Self-Cleaning Air Filter Housing	24.5 hp Toro Commercial V-Twin 708cc with Self-Cleaning Air Filter Housing	24.5 hp Toro Commercial V-Twin 708cc with Self-Cleaning Air Filter Housing	24.5 hp Toro Commercial V-Twin 708cc with Self-Cleaning Air Filter Housing
ENGINE GUARD	Standard	Standard	Standard	Standard	Standard
FUEL CAPACITY	3 Gallons (11.4 liters)	3 Gallons (11.4 liters)	3 Gallons (11.4 liters)	3 Gallons (11.4 liters)	3 Gallons (11.4 liters)
MOWING DECK	32" (81 cm) – 13 ga. 1 blade	» 42" (107 cm) – 13 ga. 2 blades	» 50" (127 cm) – 12 ga. 3 blades	» 50" (127 cm) – 10 ga. fabricated 3 blades	50" (127 cm) – 10 ga. fabricated 3 blades
BLADE TIP SPEED	18,959 ft/min (5,779 m/min)	17,810 ft/min (5,428 m/min)	» 18,330 ft/min (5,587 m/min)	18,330 ft/min (5,587 m/min)	18,330 ft/min (5,587 m/min)
DECK WASHOUT PORTS	Standard	Standard	Standard	Standard	Standard
GROUND SPEED	Up to 7 mph (11.2 km/h)	Up to 7 mph (11.2 km/h)	Up to 7 mph (11.2 km/h)	Up to 7 mph (11.2 km/h)	Up to 7 mph (11.2 km/h)
HEIGHT OF CUT	1.5" - 4.5" (3.8 - 11.4 cm)	1.5" - 4.5" (3.8 - 11.4 cm)	1.5" - 4.5" (3.8 - 11.4 cm)	1.5" - 4.5" (3.8 - 11.4 cm)	1.5" - 4.5" (3.8 - 11.4 cm)
FRAME	Heavy-Duty 10-Gauge	Heavy-Duty 10-Gauge	Heavy-Duty 10-Gauge	Heavy-Duty 10-Gauge	Heavy-Duty 10-Gauge
HITCH	Standard	Standard	Standard	Standard	Standard
TRANSMISSIONS	Dual Hydrostatic HG-ZT2100	Dual Hydrostatic HG-ZT2100	» Dual Hydrostatic HG-ZT2200	Dual Hydrostatic HG-ZT2200	» Dual Hydrostatic HG-ZT2800
SMART PARK™ BRAKING SYSTEM	Standard	Standard	Standard	Standard	Standard
TIRES (REAR)	18" x 6.0" (45.7 x 15.2cm)	» 18" x 7.5" (45.7 x 19.1 cm)	» 18" x 9.5" (45.7 x 24.1 cm)	18" x 9.5" (45.7 x 24.1 cm)	» 20" x 10" (50.8 x 25.4 cm)
TIRES (FRONT)	11" x 4" (27.9 x 10.2 cm)	» 13" x 5" (33 x 12.7 cm)	13" x 5" (33 x 12.7 cm)	13" x 5" (33 x 12.7 cm)	13" x 5" (33 x 12.7 cm)
SEAT	18" (46 cm) Extra-Tall	18" (46 cm) Extra-Tall	» 18" (46 cm) Premium	18" (46 cm) Premium	18" (46 cm) Premium
ARMRESTS	Optional	Optional	Optional	Optional	» Standard
HOURLY METER	Optional	Optional	Optional	Optional	» Standard
FLOOR MAT	Optional	Optional	Optional	Optional	Optional
STORAGE DIMENSIONS (W x L x H)	36.2" x 78.9" x 45.4" (138.7 x 200.4 x 115.3 cm)	45.3" x 78.9" x 45.4" (115 x 200.4 x 115.3 cm)	54.6" x 78.9" x 45.4" (138.7 x 200.4 x 115.3 cm)	53.5" x 78.9" x 45.9" (135.9 x 200.4 x 116.6 cm)	53.5" x 78.9" x 45.9" (135.9 x 200.4 x 116.6 cm)
RESIDENTIAL LIMITED WARRANTY²	3-Year Unlimited Hours	3-Year Unlimited Hours	3-Year Unlimited Hours	3-Year Unlimited Hours	3-Year Unlimited Hours

AWARD WINNING FEATURE

1 The gross horsepower of this engine was laboratory rated at 3,600 rpm by the engine manufacturer in accordance with SAE J1940 or SAE J2723. As configured to meet safety, emission and operating requirements, the actual horsepower on this class of mower will be significantly lower. We reserve the right to improve our products and make changes in the specifications, designs and standard equipment without notice and without incurring obligation.

2 See retailer for warranty details.

» Enhanced or step-up feature

^ 2015 Pro Tool Innovation Award Winner (Smart Park™)

CUSTOM



-BUILDER™

DESIGN YOUR PERFECT MOWER IN MINUTES

Toro provides you the opportunity to build a customized zero turn mower that has been specifically designed by you for you. Choose your steering, platform, deck, engine, seat, options and accessories, and build your perfect mower in minutes. Toro delivers the custom options, smart features, and proven dependability you can count on, season after season.

- 1** Build Mower
- 2** Check Price
- 3** Buy Mower

toro.com/build



on the back for carrying



WHEN WE SAY **COUNT ON IT**, WE MEAN IT

Every product that carries the Toro brand is backed by over 100 years of history, innovation and timeless dependability. We never stop investing in research and development to give our customers the latest features. That's why Toro is one of the best-known, most trusted brands in the business – and why your next mower should be a Toro. We also stand behind our products with a nationwide network of knowledgeable dealers for parts and service support. **Real People. Real Support.**

Smart Features. Proven Dependability.



LookBeforeYouPump.com



FOLLOW US!

facebook.com/toro.yard
instagram.com/TheToroCompany
pinterest.com
twitter.com/TheToroCompany
youtube.com/toro

toro.com / toro.ca

490-9946
 © 2018 The Toro Company. Bloomington, MN 55420
 All rights reserved. Printed in the USA.

Products depicted in this literature are for demonstration purposes only. Actual products offered for sale may vary in use, design, required attachments and safety features. We reserve the right to improve our products and make changes in specifications, design and standard equipment without notice and without incurring obligation. See your dealer for details on all our warranties.

Dealer imprint area