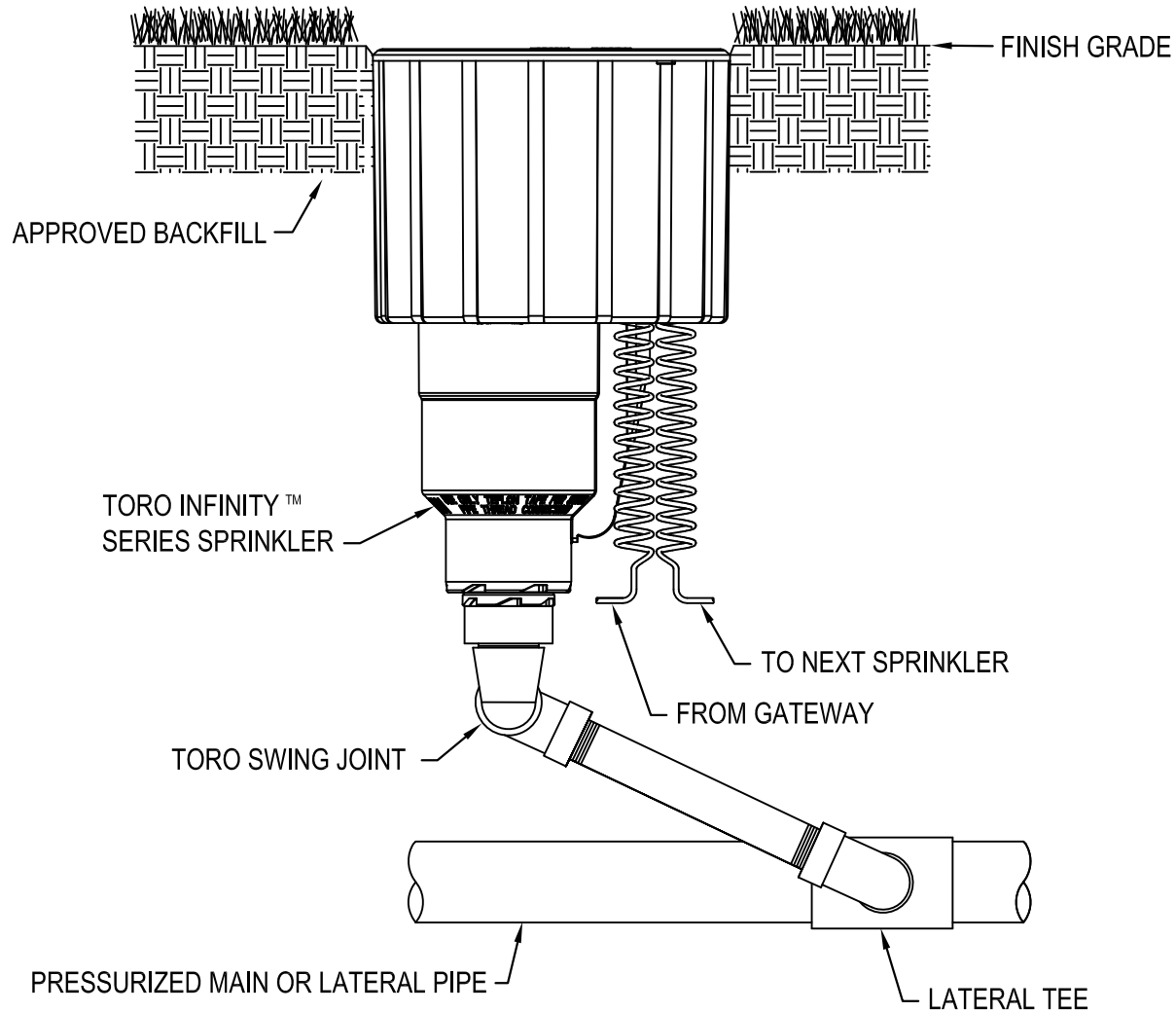




TORO-IRRIGATION DIVISION
5825 JASMINE STREET
RIVERSIDE, CA 92504
TOLL FREE: 1-877-345-8676
FAX: (951) 359-1870
www.toro.com



NOTES:

1. INSTALLATION TO BE COMPLETED IN ACCORDANCE WITH MANUFACTURERS SPECIFICATIONS.
2. DO NOT SCALE DRAWING.
3. CONTRACTORS NOTE: FOR PRODUCT AND COMPANY INFORMATION VISIT: www.CADdetails.com/info REFERENCE NUMBER.

LARGE TURF GEARED ROTOR TORO INF50 SERIES WITH INTEGRATED GDC MODULE

FOR GOLF APPLICATIONS

REVISION DATE 3-21-2014