



Count on it.

Parts Catalog

**INFINITY INF34, INF35 and
INF35-6 Series Golf Sprinklers**

Model No. INF34 INF35 INF35-6



Ordering Replacement Parts

To order replacement parts, please supply the part number, the quantity, and the description of each part desired.

Understanding Reference Numbers

Each identified part in an illustration has a reference number. The reference number for a part also appears in the parts list, along with other information about the part.

This catalog uses two special reference number formats, one to indicate parts in a service assembly and another to indicate the quantity of a given part in an illustration.

Service Assembly Reference Numbers

Parts in service assemblies have reference numbers in the form a:b. The a represents the reference number of the entire service assembly and the b represents a sequential number unique to each part within the service assembly.

For example, a wheel assembly might be identified by reference number 6, the tire by 6:1, the valve by 6:2, and the wheel by 6:3. When you order the assembly identified by reference number 6, you receive all parts identified by reference numbers 6:1, 6:2, and 6:3. However, you may also order any part individually. Reference numbers of this type appear in illustration and in parts lists.

Reference Numbers Indicating Quantity

In an illustration, if a reference number indicates more than one part, the reference number has the form nX y. The n represents the quantity of the part, the X is the multiplication symbol, and the y represents the reference number.

For example, in an illustration, the reference number 2X 37 means that two of the parts identified by reference number 37 are indicated.

List of Abbreviations

AR: as required

ASM: assembly

BBC: blade brake control

BHTF: button head thread forming

CARR: carriage

CCW: counter clockwise

CW: clockwise

DEG: degrees

DPA: Dual Point Adjustment

ECM: electronic control module

EXT: external

FH: flat head

GA: gauge

HD: heavy-duty

HF: hex flange

HH: hex head

HHF: hex head flange

HHFTF: hex head flange thread forming

HJ: hex jam

HLH: hex lag head

HOC: height-of-cut

HSBH: hex socket button head

HSFH: hex socket flat head

HSH: hex socket head

HWH: hex washer head

HWHTF: hex washer head thread forming

HYD: hydraulic

LH: left hand

LP: Liquefied Petroleum Gas

LPG: Liquefied Petroleum Gas

NI: nylon insert

NPTF: national pipe thread fine

PFH: phillips flat head

PPH: phillips pan head

PPHTF: phillips pan head thread forming

PRH: phillips round head

PTH: phillips truss head

PTO: power-take-off

RH: right hand

ROPS: roll-over protection system

RRB: rear roller brush

SFH: slotted fillister head

SHH: slotted hex head

SHWH: slotted hex washer head

SPH: slotted pan head

SQH: square head

SRH: slotted round head

STD: standard

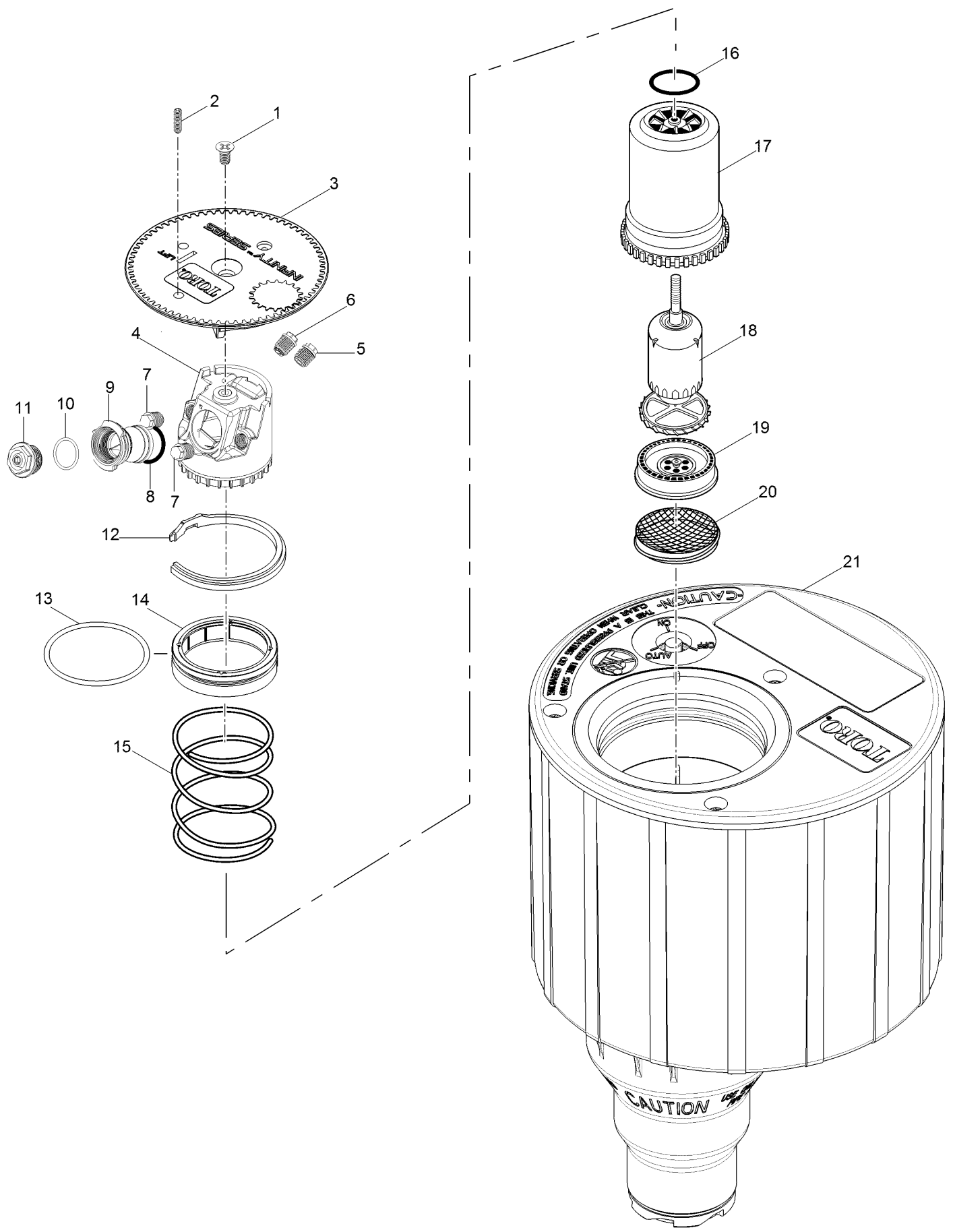
TAP: self tapping

TTH: torx truss head

Contents

INF34 Series Golf Sprinkler w/ Dual Trajectory	4
INF35 Series Golf Sprinkler w/ Dual Trajectory	6
INF35-6 Series Golf Sprinkler w/ 24-Pos TruJectory	8

INF34 Series Golf Sprinkler w/ Dual Trajectory



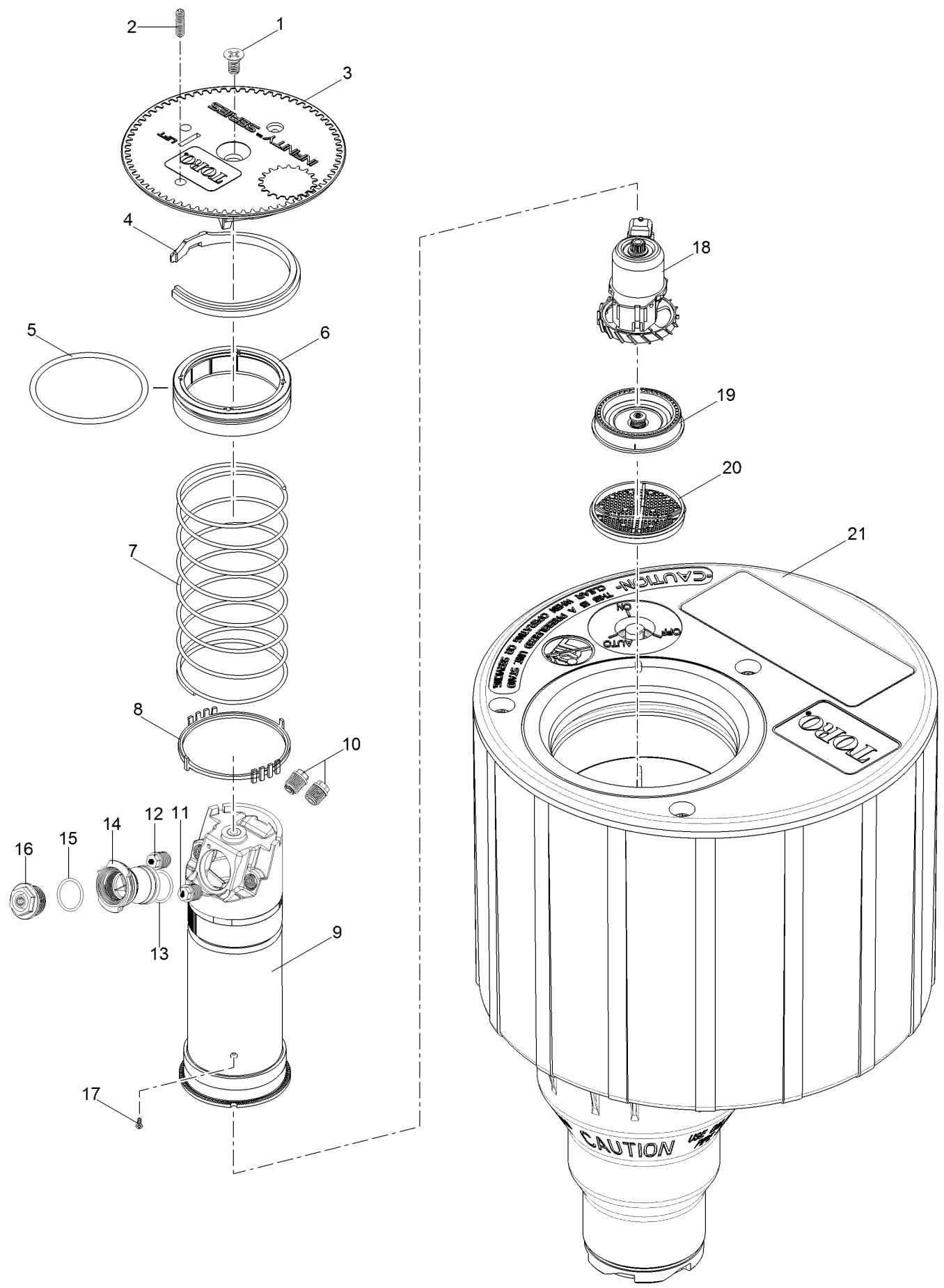
INF34 Series Golf Sprinkler w/ Dual Trajectory (continued)

Ref.	Part Number	Qty.	Description	Ref.	Part Number	Qty.	Description
1	102-0362	1	Screw, Cap	11	102-6908	1	Nozzle, Main, #35, Green
2	363-4839	1	Radius Reduction Screw	11	102-0730	1	Nozzle, Main, #36, Gray
3	118-3089	1	Cap, Black	11	102-4261	1	Nozzle, Main, #37, Black
3	118-3093	1	Cap, Effluent	12	89-1385	1	Snap Ring, Riser
4	102-5837	1	Nozzle Base Assembly	13	363-4102	1	O-Ring, Paraffin As-568 232
5	102-2925	1	Intermediate Nozzle, Blue (Used With #31 Main Nozzle)	14	102-0134	1	Retainer, Seal
5	102-2926	1	Intermediate Nozzle, Orange (Used With #32 Main Nozzle)	15	102-0151	1	Spring, Return
5	102-2928	1	Intermediate Nozzle, Red (Used With #33 Main Nozzle)	16	363-4167	1	O-Ring, Nozzle Base
5	102-2929	1	Intermediate Nozzle, Beige (Used With #34 And #35 Main Nozzles)	17	102-0202	1	Riser
5	102-6944	1	Intermediate Nozzle Assy., Red W/ Stream Straightener (Used With #36 Main Nozzle)	18	102-4503	1	Drive Assembly, 12-Pack
5	102-6945	1	Intermediate Nozzle Assy., Gray W/ Stream Straightener (Used With #37 Main Nozzle)	19	102-6929	1	Stator, Low Flow, High Velocity, Blue (Used With #31-34 Main Nozzles)
6	102-6937	1	Nozzle Assy. Inner, Yellow Nozzle W/ Yellow Helical Restrictor	19	102-1940	1	Stator Assembly, Medium Flow, White (Used With #35-37 Main Nozzles)
7	102-4335	2	Plug, Nozzle	20	102-1715	1	Screen, Riser
8	102-5978	1	O-Ring, Nozzle Housing	21		1	Body Assembly (See Golf Sprinkler Body Assembly Section) ▲
9	102-5597	1	Nozzle Housing Assy.	995-08		1	Valve Removal Tool ■●
10	363-4978	1	O-Ring, Main Nozzle	118-1844		1	Valve Insertion Tool ■●
11	102-0725	1	Nozzle, Main, #31, Yellow	995-15		1	Selector Tool (Flag Key) ■●
11	102-7001	1	Nozzle, Main, #32, Blue	995-99		1	Nut Driver, 5/8" (For Main Nozzle) ■●
11	102-0727	1	Nozzle, Main, #33, Brown	995-105		1	Nut Driver, 5/16" (For Inner & Intermediate Nozzles And Plugs) ■●
11	102-7002	1	Nozzle, Main, #34, Orange	995-83		1	Multi-Purpose Tool ■●
				995-85		1	Riser Removal Tool ■●
				995-100		1	Valve Snap Ring Pliers With Screen Remover ■●
				995-102		1	Riser Hold-Up Tool, Universal ■●
				118-0954		1	Riser Hold-Up Tool, Red ■●

● SERVICE ITEMS
▲ Not serviced separately

■ Not illustrated

INF35 Series Golf Sprinkler w/ Dual Trajectory



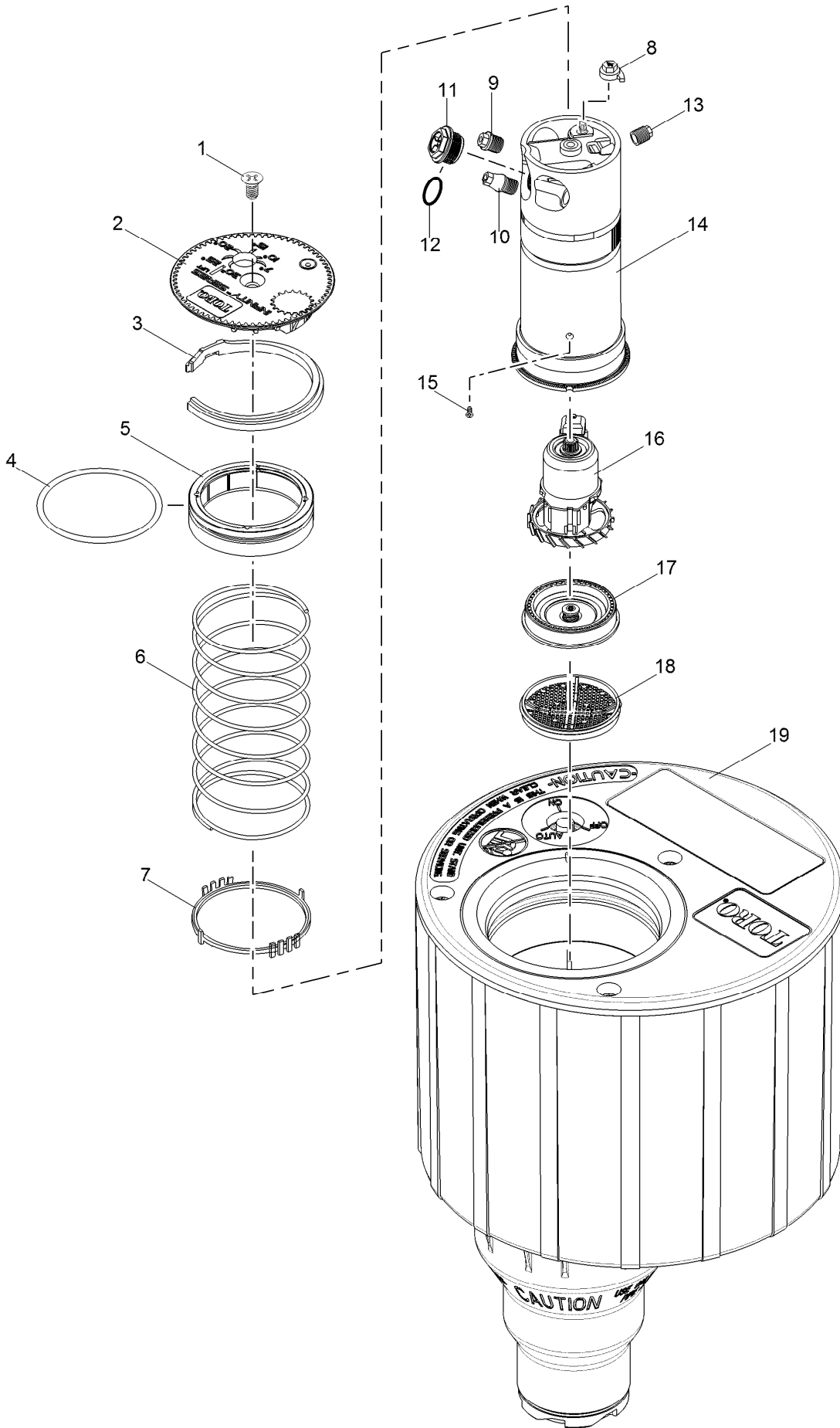
INF35 Series Golf Sprinkler w/ Dual Trajectory (continued)

<i>Ref.</i>	<i>Part Number</i>	<i>Qty.</i>	<i>Description</i>	<i>Ref.</i>	<i>Part Number</i>	<i>Qty.</i>	<i>Description</i>
1	102-6138	1	Screw, Cap, Black	16	102-6906	1	Nozzle, Main, #31, Yellow
2	363-4839	1	Radius Reduction Screw	16	102-0726	1	Nozzle, Main, #32, Blue
3	118-3089	1	Cap, Black	16	102-6907	1	Nozzle, Main, #33, Brown
3	118-3093	1	Cap, Effluent	16	102-0728	1	Nozzle, Main, #34, Orange
4	89-1385	1	Snap Ring, Riser	16	102-6955	1	Nozzle, Main, #35, Green
5	363-4102	1	O-Ring, Paraffin As-568 232	16	102-6935	1	Nozzle, Main, #36, Gray
6	102-0134	1	Retainer, Seal	16	102-6936	1	Nozzle, Main, #37, Black
7	102-0151	1	Spring, Return	16	118-1521	1	Adapter, Main Nozzle
8	102-2619	1	Ratchet Ring, 1"	17	363-4236	1	Screw, Drive
9	118-1079	1	Riser Assembly	18	102-4504	1	Drive Assy., 12-Pack
10	102-4335	2	Plug, Nozzle	19	102-6929	1	Stator, Low Flow, High Velocity, Blue (Used With #30 Main Nozzle)
11	102-5670	1	Nozzle Assy. Inner, Yellow W/ White Helical Restrictor (Used With #30-35 Main Nozzles)	19	102-1939	1	Stator Assembly, Low Flow, Yellow (Used With #31-34 Main Nozzles)
11	102-6531	1	Nozzle Assy., Inner, Green W/ White Helical Restrictor (Used With #36-37 Main Nozzles)	19	102-1940	1	Stator Assembly, Medium Flow, White (Used With #35-37 Main Nozzles)
12	102-6942	1	Intermediate Nozzle Assy., Beige W/ Stream Straightener (Used With #30 Main Nozzle)	20	102-1715	1	Screen, Riser
12	102-5671	1	Intermediate Nozzle Assy., Brown W/ Stream Straightener (Used With #31 Main Nozzle)	21		1	Body Assembly (See Golf Body Assembly Section.) ▲
12	102-6884	1	Intermediate Nozzle, Yellow (Used With #32-34 Main Nozzles)		995-08	1	Valve Removal Tool ■●
12	102-6885	1	Intermediate Nozzle, Green (Used With #35-37 Main Nozzles)		118-1844	1	Valve Insertion Tool ■●
13	102-5978	1	O-Ring, Nozzle Housing		995-15	1	Selector Tool (Flag Key) ■●
14	102-5597	1	Nozzle Housing Assy.		995-99	1	Nut Driver, 5/8" (For Main Nozzle) ■●
15	363-4978	1	O-Ring, Main Nozzle		995-105	1	Nut Driver, 5/16" (For Inner & Intermediate Nozzles And Plugs) ■●
16	102-2208	1	Nozzle, Main, #30, Blank, White		995-83	1	Multi-Purpose Tool ■●
					995-85	1	Riser Removal Tool ■●
					995-100	1	Valve Snap Ring Pliers With Screen Remover ■●
					995-102	1	Riser Hold-Up Tool, Universal ■●
					118-0954	1	Riser Hold-Up Tool, Red ■●

● SERVICE ITEMS
▲ Not serviced separately

■ Not illustrated

INF35-6 Series Golf Sprinkler w/ 24-Pos TruJectory



INF35-6 Series Golf Sprinkler w/ 24-Pos TruJectory (continued)

<i>Ref.</i>	<i>Part Number</i>	<i>Qty.</i>	<i>Description</i>	<i>Ref.</i>	<i>Part Number</i>	<i>Qty.</i>	<i>Description</i>
1	102-6138	1	Screw, Cap, Black	14	102-2892	1	Riser Assembly
2	118-3090	1	Cap, Black	15	363-4236	1	Screw, Drive
2	118-3094	1	Cap, Effluent	16	102-4504	1	Drive Assy., 12-Pack
3	89-1385	1	Snap Ring, Riser	17	102-6929	1	Stator, Low Flow, High Velocity, Blue (Used With #30 Main Nozzle And Nozzle Adapter)
4	363-4102	1	O-Ring, Paraffin As-568 232	17	102-1939	1	Stator Assembly, Low Flow, Yellow (Used With #31-34 Main Nozzles)
5	102-0134	1	Retainer, Seal	17	102-1940	1	Stator Assembly, Medium Flow, White (Used With #35-37 Main Nozzles)
6	102-0151	1	Spring, Return	18	102-1715	1	Screen, Riser
7	102-2619	1	Ratchet Ring, 1"	19		1	Body Assembly (See Golf Body Assembly Section.) ▲
8	102-5971	1	Trajectory Adjuster		995-08	1	Valve Removal Tool ■●
9	102-2925	1	Intermediate Nozzle, Blue (Used With #30, #31, #35 And #36 Main Nozzles)		118-1844	1	Valve Insertion Tool ■●
9	102-2926	1	Intermediate Nozzle, Orange (Used With #33, #34 And #37 Main Nozzles)		995-15	1	Selector Tool (Flag Key) ■●
9	102-2928	1	Intermediate Nozzle, Red (Used With #32 Main Nozzle)		995-99	1	Nut Driver, 5/8" (For Main Nozzle) ■●
10	102-2910	1	Nozzle Assembly, Inner		995-105	1	Nut Driver, 5/16" (For Inner & Intermediate Nozzles And Plugs) ■●
11	102-2208	1	Nozzle, Main, #30, Blank, White		995-83	1	Multi-Purpose Tool ■●
11	102-4587	1	Nozzle, Main, #31, Yellow		995-85	1	Riser Removal Tool ■●
11	102-4588	1	Nozzle, Main, #52, Blue		995-100	1	Valve Snap Ring Pliers With Screen Remover ■●
11	102-4589	1	Nozzle, Main, #53, Brown		995-102	1	Riser Hold-Up Tool, Universal ■●
11	102-0728	1	Nozzle, Main, #34, Orange		118-0954	1	Riser Hold-Up Tool, Red ■●
11	102-0729	1	Nozzle, Main, #55, Green				
11	102-0730	1	Nozzle, Main, #36, Gray				
11	102-4261	1	Nozzle, Main, #37, Black				
11	118-1521	1	Adapter, Main Nozzle				
12	363-4978	1	O-Ring, Main Nozzle				
13	102-4335	1	Plug, Nozzle				

● SERVICE ITEMS
▲ Not serviced separately

■ Not illustrated

Notes:

Notes:



Count on it.