



Count on it.

Parts Catalog

**INFINITY Series Golf Sprinkler
Body, 1" and 1.5"**

Model No. INFINITY Series



Ordering Replacement Parts

To order replacement parts, please supply the part number, the quantity, and the description of each part desired.

Understanding Reference Numbers

Each identified part in an illustration has a reference number. The reference number for a part also appears in the parts list, along with other information about the part.

This catalog uses two special reference number formats, one to indicate parts in a service assembly and another to indicate the quantity of a given part in an illustration.

Service Assembly Reference Numbers

Parts in service assemblies have reference numbers in the form a:b. The a represents the reference number of the entire service assembly and the b represents a sequential number unique to each part within the service assembly.

For example, a wheel assembly might be identified by reference number 6, the tire by 6:1, the valve by 6:2, and the wheel by 6:3. When you order the assembly identified by reference number 6, you receive all parts identified by reference numbers 6:1, 6:2, and 6:3. However, you may also order any part individually. Reference numbers of this type appear in illustration and in parts lists.

Reference Numbers Indicating Quantity

In an illustration, if a reference number indicates more than one part, the reference number has the form nX y. The n represents the quantity of the part, the X is the multiplication symbol, and the y represents the reference number.

For example, in an illustration, the reference number 2X 37 means that two of the parts identified by reference number 37 are indicated.

List of Abbreviations

AR: as required

ASM: assembly

BBC: blade brake control

BHTF: button head thread forming

CARR: carriage

CCW: counter clockwise

CW: clockwise

DEG: degrees

DPA: Dual Point Adjustment

ECM: electronic control module

EXT: external

FH: flat head

GA: gauge

HD: heavy-duty

HF: hex flange

HH: hex head

HHF: hex head flange

HHFTF: hex head flange thread forming

HJ: hex jam

HLH: hex lag head

HOC: height-of-cut

HSBH: hex socket button head

HSFH: hex socket flat head

HSH: hex socket head

HWH: hex washer head

HWHTF: hex washer head thread forming

HYD: hydraulic

LH: left hand

LP: Liquefied Petroleum Gas

LPG: Liquefied Petroleum Gas

NI: nylon insert

NPTF: national pipe thread fine

PFH: phillips flat head

PPH: phillips pan head

PPHTF: phillips pan head thread forming

PRH: phillips round head

PTH: phillips truss head

PTO: power-take-off

RH: right hand

ROPS: roll-over protection system

RRB: rear roller brush

SFH: slotted fillister head

SHH: slotted hex head

SHWH: slotted hex washer head

SPH: slotted pan head

SQH: square head

SRH: slotted round head

STD: standard

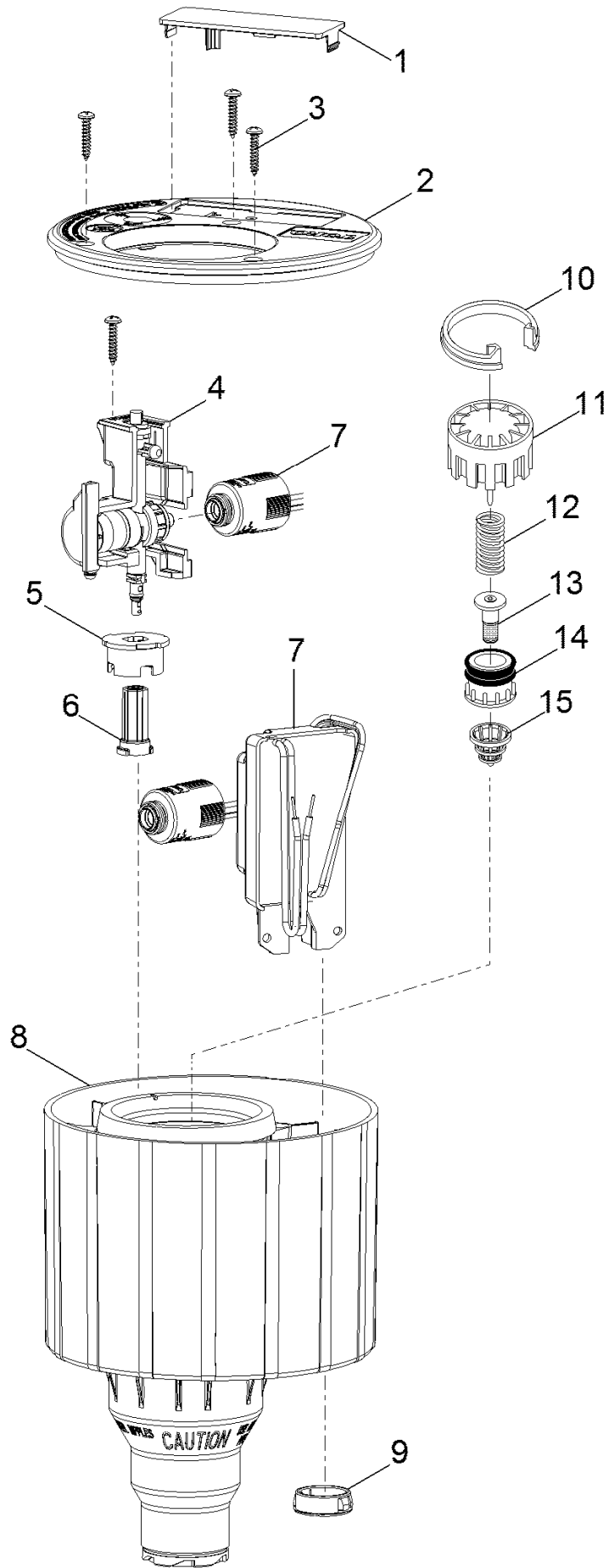
TAP: self tapping

TTH: torx truss head

Contents

INFINITY Series 1 Inch Golf Sprinkler Body 4
INFINITY Series 1.5 Inch Golf Sprinkler Body 6

INFINITY Series 1 Inch Golf Sprinkler Body



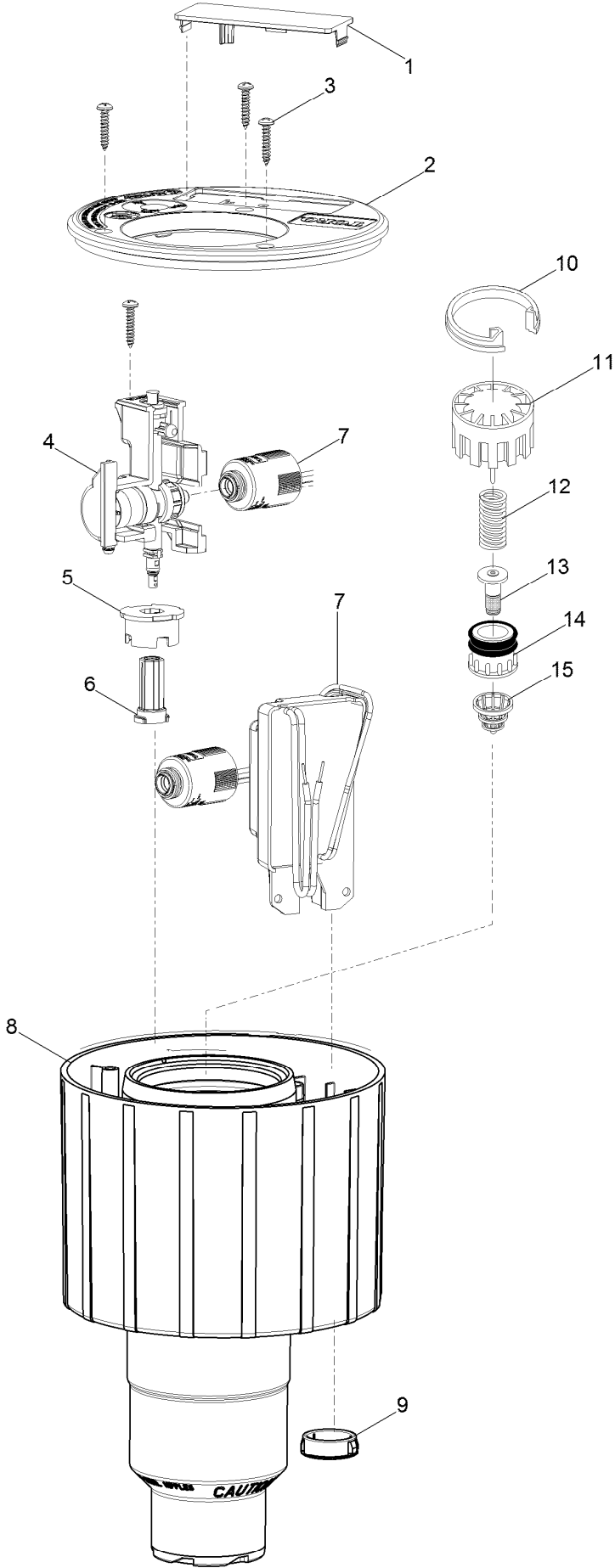
INFINITY Series 1 Inch Golf Sprinkler Body (continued)

<i>Ref.</i>	<i>Part Number</i>	<i>Qty.</i>	<i>Description</i>	<i>Ref.</i>	<i>Part Number</i>	<i>Qty.</i>	<i>Description</i>
1	118-1840	1	Marker, Blank	7	102-2709	1	Solenoid Assy., 24Vdc, Latching (Red W/ White Stripe And Black Wires)
1	118-3029	1	Marker, Laser Etched				
2	118-1813	1	Cover	7	118-0841	1	Gdc Module, 1-Station, Golf Body With Solenoid
3	4102001	6	Screw, Tap, 10-16 X 1.25	8	118-3031	1	Body, W/ Comp, 1" Acme
4	118-1826	1	Pilot Valve, Spike-Guard Solenoid	9	364-1164	1	Plug, Cable Access
4	118-1982	1	Pilot Valve W/O Solenoid	10	89-4702	1	Snap Ring, Valve
4	118-1983	1	Pilot Valve W/ Nickel Plated Spike-Guard Solenoid	11	102-0623	1	Cylinder Assy., El & No/Com
4	118-1984	1	Pilot Valve W/ Dc Latching Solenoid	12	102-6411	1	Spring, Valve, El/No, Silver
4	118-1985	1	Pilot Valve W/ 600/700 Solenoid	13	35-9646	1	Filter Assy., Metering, El, Nc
5	118-1815	1	Retainer, Check Valve	14	89-1054	1	Piston Assy., El & Nc (Include Item 13)
6	118-1827	1	Check Flow Assy., Vih Communication	15	102-0784	1	Rock Screen, 1"
7	118-0248	1	Solenoid, 600/700 Series (Red & Black Wires)		118-3651	1	Wire Splice Kit (Includes 2 Gel Caps And 2 Wire Nuts) ■●
7	102-3443	1	Solenoid-Low Wattage, W/Surge Protection (Black Wires)		995-80	1	Nut Driver, 1/2 (For Check Flow Assembly) ■●
7	102-3444	1	Solenoid-Low Wattage, W/Surge Protection, Nickel Plated (Red Wires)				

● SERVICE ITEMS

■ Not illustrated

INFINITY Series 1.5 Inch Golf Sprinkler Body



INFINITY Series 1.5 Inch Golf Sprinkler Body (continued)

<i>Ref.</i>	<i>Part Number</i>	<i>Qty.</i>	<i>Description</i>	<i>Ref.</i>	<i>Part Number</i>	<i>Qty.</i>	<i>Description</i>
1	118-1840	1	Marker, Blank	7	102-2709	1	Solenoid Assy., 24Vdc, Latching (Red W/ White Stripe And Black Wires)
1	118-3029	1	Marker, Laser Etched				
2	118-1813	1	Cover				
3	4102001	6	Screw, Tap, 10-16 X 1.25	7	118-0841	1	Gdc Module, 1-Station, Golf Body With Solenoid
4	118-1826	1	Pilot Valve, Spike-Guard Solenoid	8	118-3030	1	Body, W/ Comp, 1.5" Acme
4	118-1982	1	Pilot Valve W/O Solenoid	9	364-1164	1	Plug, Cable Access
4	118-1983	1	Pilot Valve W/ Nickel Plated Spike-Guard Solenoid	10	3-3304	1	Snap Ring, Valve
4	118-1984	1	Pilot Valve W/ Dc Latching Solenoid	11	102-0626	1	Cylinder Assy., EI And No/Com
4	118-1985	1	Pilot Valve W/ 600/700 Solenoid	12	102-6411	1	Spring, Valve, EI/No, Silver
5	118-1815	1	Retainer, Check Valve	13	35-9645	1	Filter Assy., Metering, EI & Nc
6	118-1827	1	Check Flow Assy., Vih Communication	14	102-5101	1	Piston Assy., EI
7	118-0248	1	Solenoid, 600/700 Series (Red & Black Wires)	15	102-6065	1	Rock Screen, 1.5"
7	102-3443	1	Solenoid-Low Wattage, W/Surge Protection (Black Wires)		118-3651	1	Wire Splice Kit (Includes 2 Gel Caps And 2 Wire Nuts) ■●
7	102-3444	1	Solenoid-Low Wattage, W/Surge Protection, Nickel Plated (Red Wires)		995-80	1	Nut Driver, 1/2 (For Check Flow Assembly) ■●

● SERVICE ITEMS

■ Not illustrated



Count on it.