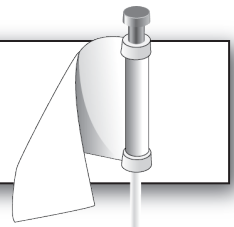




Twilight™ Golf Cup Light TWGC Setup Guide



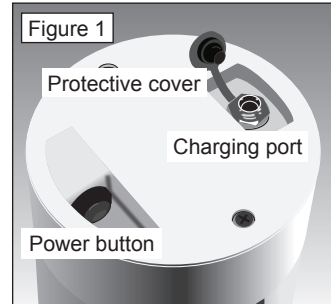
Specifications

- 12 VDC 3x1 W LED Lamps
- 11.1 VDC 2600 mAh Lithium-ion Battery
- 4-3/8" diameter x 6-3/8" deep
- Weight – 2 lbs
- Charge time ~5 hours
- Illumination time – up to 8 hours
- 2 year warranty

Charging the Twilight Golf Cup (TWGC)

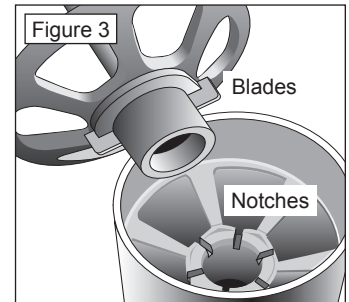
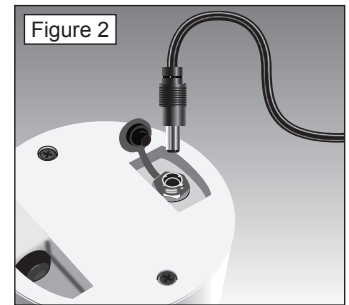
Prior to initial use, the TWGC should be fully charged to ensure expected illumination time.

1. Turn the TWGC over and place the power button into the "Charge" position.
2. Remove the protective cover from the TWGC charging port (Figure 1).
3. With AC adapter unplugged, plug the charger cable into the TWGC charging port (Figure 2).
4. Plug AC adapter into wall outlet. Charger light will be red when charging and green when fully charged.



Installing the Twilight Golf Cup (TWGC)

1. Unplug charger and place the protective cover onto the charging port.
 2. Transport TWGC to the desired installation location.
 3. Remove existing flag and cup or, using a cup cutter, remove sod and soil (minimum 6-3/8" deep) in a new location.
 4. Place TWGC power button into the "On" position. LEDs will illuminate.
- ⚠ Caution:** The TWGC LED's produce an intense beam of light. Never look directly into the TWGC when the LEDs are illuminated as impaired vision may result temporarily.
5. Place TWGC into cup hole.
 6. Place the included flag into the TWGC, aligning the ball catch blades with the TWGC notches to prevent blockage of the light paths (Figure 3).
 7. The light illumination of the TWGC will be enjoyed for up to 8 hours.



Removing the Twilight Golf Cup Light (TWGC)

1. Remove the flag and TWGC.
2. Install standard cup and flag.
3. Place TWGC power button into "Charge" position.
4. Recharge TWGC as described in the "Charging" section above.

Replacing the Lithium-ion Battery

The Lithium-ion battery has a two-year warranty. Eventually, however, it will need to be replaced. A replacement Lithium-ion battery pack can be purchased from Toro, part TWGC-LIBATT.

1. Unscrew the two screws on the bottom of the Golf Cup Light unit. Remove Golf Cup battery compartment lid.
2. The Lithium-ion battery pack is attached by two wires to the wires of the Light Cup via a connector (Figure 4).
3. Disconnect the battery by unplugging connector.
4. Connect the new battery pack and place between the two screw sleeves (Figure 4).
5. Carefully install the rest of the wiring into the battery compartment.
6. Install the Golf Cup battery compartment lid then reattach with the two screws, making sure that each screw still has its own O-ring.
7. Charge the Golf Cup Light for 5 hours or until the indicator on the power supply turns green prior to initial use with a new battery pack.
8. Follow your municipal program for recycling or disposing of Lithium-ion batteries.

