



Count on it.

Parts Catalog

REVIEW COPY

Golf Sprinkler Bodies

Model No. Golf Sprinkler Body



Ordering Replacement Parts

To order replacement parts, please supply the part number, the quantity, and the description of each part desired.

Understanding Reference Numbers

Each identified part in an illustration has a reference number. The reference number for a part also appears in the parts list, along with other information about the part.

This catalog uses two special reference number formats, one to indicate parts in a service assembly and another to indicate the quantity of a given part in an illustration.

Service Assembly Reference Numbers

Parts in service assemblies have reference numbers in the form a:b. The a represents the reference number of the entire service assembly and the b represents a sequential number unique to each part within the service assembly.

For example, a wheel assembly might be identified by reference number 6, the tire by 6:1, the valve by 6:2, and the wheel by 6:3. When you order the assembly identified by reference number 6, you receive all parts identified by reference numbers 6:1, 6:2, and 6:3. However, you may also order any part individually. Reference numbers of this type appear in illustration and in parts lists.

Reference Numbers Indicating Quantity

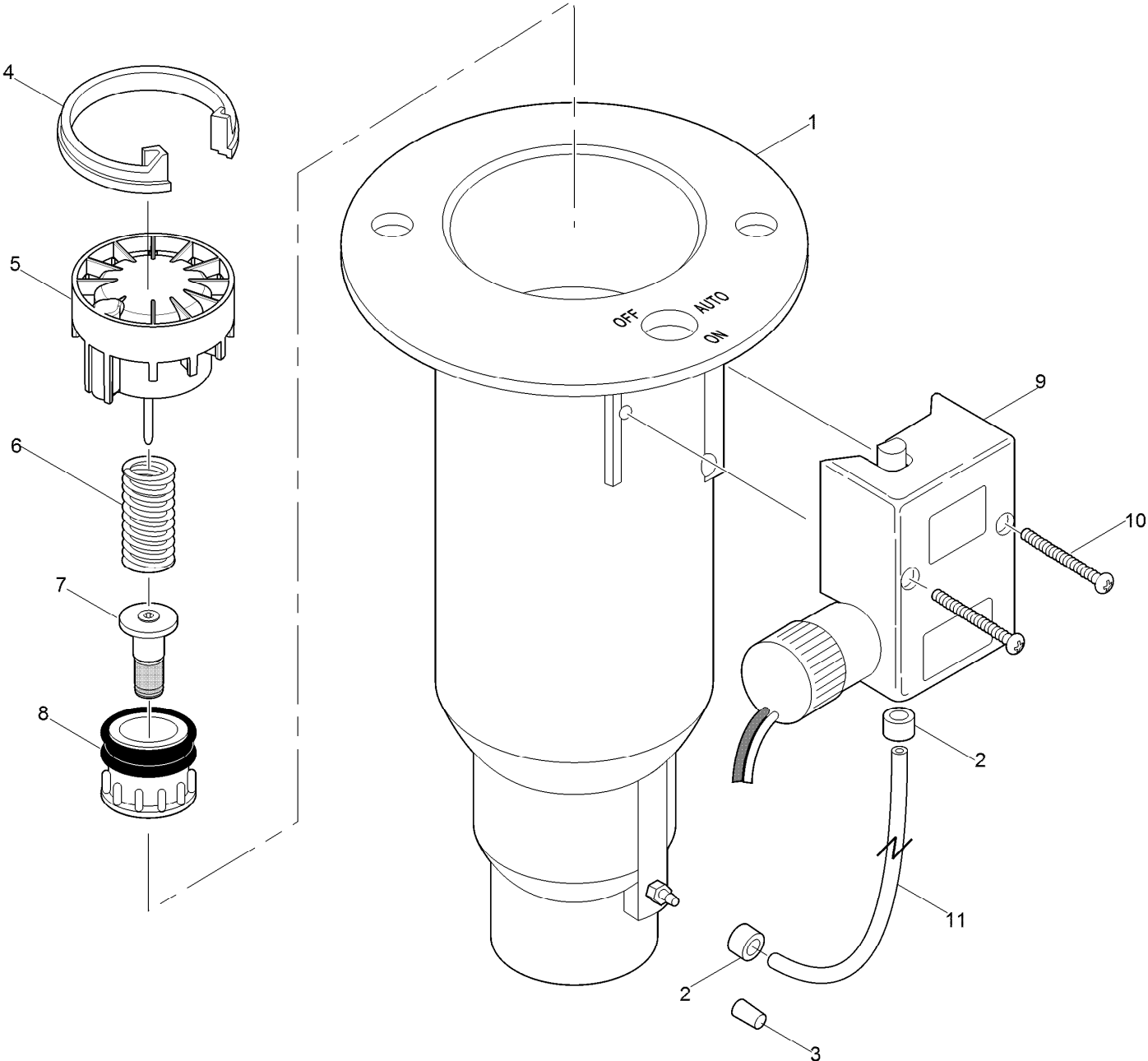
In an illustration, if a reference number indicates more than one part, the reference number has the form nX y. The n represents the quantity of the part, the X is the multiplication symbol, and the y represents the reference number.

For example, in an illustration, the reference number 2X 37 means that two of the parts identified by reference number 37 are indicated.

Contents

Golf Sprinkler Body, 1" - 600 and 700 Series	4
Golf Sprinkler Body, 1" - Flex, 800S and DT	6
Golf Sprinkler Body, 1" - INFINITY Series	8
Golf Sprinkler Body, 1.5" - 600 and 700 Series	10
Golf Sprinkler Body, 1.5" - Flex, 800S and DT	12
Golf Sprinkler Body, 1.5" - INFINITY Series	14
Pilot Valve, Fixed Pressure - 600 and 700 Series	16
Pilot Valve, Adjustable Pressure - Flex, 800S and DT	18
Pilot Valve, Adjustable Pressure - INFINITY Series	20

Golf Sprinkler Body, 1" - 600 and 700 Series



Golf Sprinkler Body, 1" - 600 and 700 Series (continued)

<i>Ref.</i>	<i>Part Number</i>	<i>Qty.</i>	<i>Description</i>	<i>Ref.</i>	<i>Part Number</i>	<i>Qty.</i>	<i>Description</i>
1	35-9421		Electric W/O Vih, Npt ▲	5	9-1485	1	Cylinder Assy., No & Com
1	89-4128		Electric W/O Vih, Ribless, Npt ▲▶	5	9-1487	1	Cylinder Assy., EI & NC
1	102-0083		Electric W/Vih, 720, Npt (Includes Items 1, 4-8) ▲	6	3-2633	1	Spring, Valve, No, EI & NC
1	35-9418		Hydraulic No W/O Vih, Npt ▲	6	89-5821	1	Spring, Valve, Com
1	89-4126		Hydraulic No W/O Vih, Ribless, Npt (Includes Items 1-3) ▲▶	7	35-9646	1	Filter Assy., Metering, EI, NC
1	35-9453		Com W/O Vih, Npt (Includes Items 1, 2 & 11) ▲	8	89-1044	1	Piston Assy., No & Com
1	89-4127		Com W/O Vih, Ribless, Npt (Includes Items 1, 2 & 11) ▲▶	8	89-1054	1	Piston Assy., EI & NC (Includes Item 7)
1	35-9386		Electric W/O Vih, BSP ◆	8	102-0081	1	Piston Assy., EI (720 Only) (Includes Item 7)
1	102-0084		Electric W/Vih, 720, BSP (Includes Items 1, 4-8) ◆	9		1	Pilot Valve Assy. (See Pilot Valve Assembly Section) ○
1	35-9385		Hydraulic No W/O Vih, BSP ◆	10	3-2696	2	Screw-Tap, #8
1	89-8635		1" Acme Body Style, Electric W/O Vih □	11	9-2622	1	Tube, 1/4, 6.5", EI
1	102-0085		1" Acme Body Style, Electric W/Vih, 720 (Includes Items 1, 4-8) □	11	9-1876	1	Tube, 1/4, 12", Com
2	900-40	1	Retainer, Tube		89-1046		Valve Assy., 1.0" Hyd., No (Includes Items 6-8) ●■
3	89-8157	1	Cap, 1/4, 8" EI		89-1047		Valve Assy., Com (Includes Items 6-8) ●■
4	89-4702	1	Snap Ring, Valve		89-1048		Valve Assy., EI, NC (Includes Items 6-9) ●■
					102-0082		Valve Assy., EI, Low Flow (Includes Items 6-9) ●■
					9-6002	1	Adapter-Tubing, Threaded, 1/4 ●■

● SERVICE ITEMS

▲ 1 Inch NPT Body Style

□ 1 Inch ACME Body Style

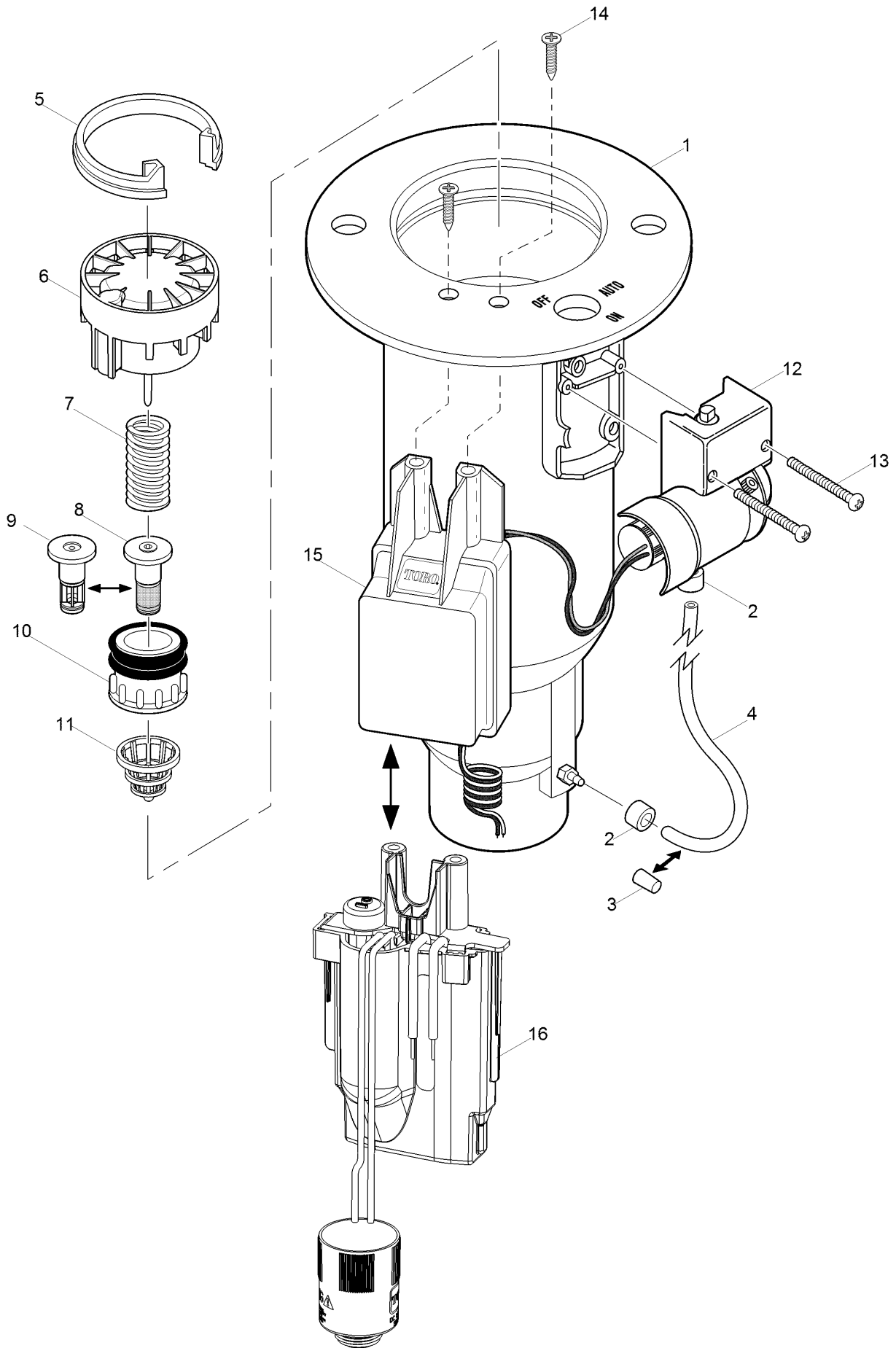
▶ Ribless bodies are used with sprinklers manufactured prior to July 1993.

■ Not illustrated

◆ 1 Inch BSP Body Style

○ Not serviced separately

Golf Sprinkler Body, 1" - Flex, 800S and DT



Golf Sprinkler Body, 1" - Flex, 800S and DT (continued)

Ref.	Part Number	Qty.	Description	Ref.	Part Number	Qty.	Description
1	102-1090	1	Electric W/O Vih, Npt ▲	7	3-2633	1	Spring, Valve, No, El & NC
1	102-1084	1	Hydraulic No W/O Vih, Npt ▲	7	89-5821	1	Spring, Valve, Com
1	102-1078	1	Com W/O Vih, Npt (Includes Items 1, 2 & 4) ▲	8	35-9646	1	Filter Assy., Metering, El, NC
1	118-1137	1	Body Assy., 1" Npt (For Decoder Equipped Models) ▲	9	102-6529	1	Filter Assy., Non-Metering, No/Com
1	102-1092	1	Electric W/O Vih, BSP ◆	10	102-6314	1	Piston Assy., No & Com (Includes Item 9)
1	102-1086	1	Hydraulic No W/O Vih, BSP ◆	10	89-1054	1	Piston Assy., El & NC (Include Item 8)
1	102-1080	1	Com W/O Vih, BSP (Includes Items 1, 2 & 4) ◆	11	102-0784	1	Rock Screen, 1 Inch
1	118-1138	1	Body Assy., 1" BSP (For Gdc/Lsm Equipped Models) ◆	12		1	Pilot Valve Assy. (See Pilot Valve Assembly Section) ◐
1	102-1094	1	1" Acme Body Style, Electric W/O Vih □	13	3-2696	2	Screw-Tap, #8
1	102-1088	1	1" Acme Body Style, Hydraulic No W/O Vih □	14	363-6396	2	Screw (For Gdc/Lsm Equipped Models)
1	102-1082	1	1" Acme Body Style, Com W/O Vih (Includes Items 1, 2 & 4) □	15	DEC-ISP-1GB	1	Gdc Module W/O Solenoid, 1-Station, Golf Body
1	118-1139	1	Body Assy., 1" Acme (For Decoder Equipped Models) □	15	118-0841SK	1	Gdc Module W/ Solenoid, 1-Station, Golf Body
2	900-40	2	Retainer, Tube †	16	118-5402SK	1	Lsm Module, Flx W/ Solenoid, 1-Station, Golf Body
3	89-8157	1	Cap, 1/4, 8" El	16	118-4759SK	1	Lsm, 1-Station, Golf Body, Flx, W/O Solenoid
4	9-2623	1	Tube, 1/4, 14" Com		102-6313	1	Valve Assy., No (Includes Items 6, 7, 9 & 10) ●■
4	9-1876	1	Tube, 1/4, 12", Com		102-6312	1	Valve Assy., Com (Includes Items 6, 7, 9 & 10) ●■
5	89-4702	1	Snap Ring, Valve		102-0624	1	Valve Assy., 1 Inch, Electric (Includes Items 6, 7, 8 & 10) ●■
6	102-0623	1	Cylinder Assy., El & No/Com				

● SERVICE ITEMS

▲ 1 Inch NPT Body Style

□ 1 Inch ACME Body Style

◐ See Pilot Valve Assembly Section.

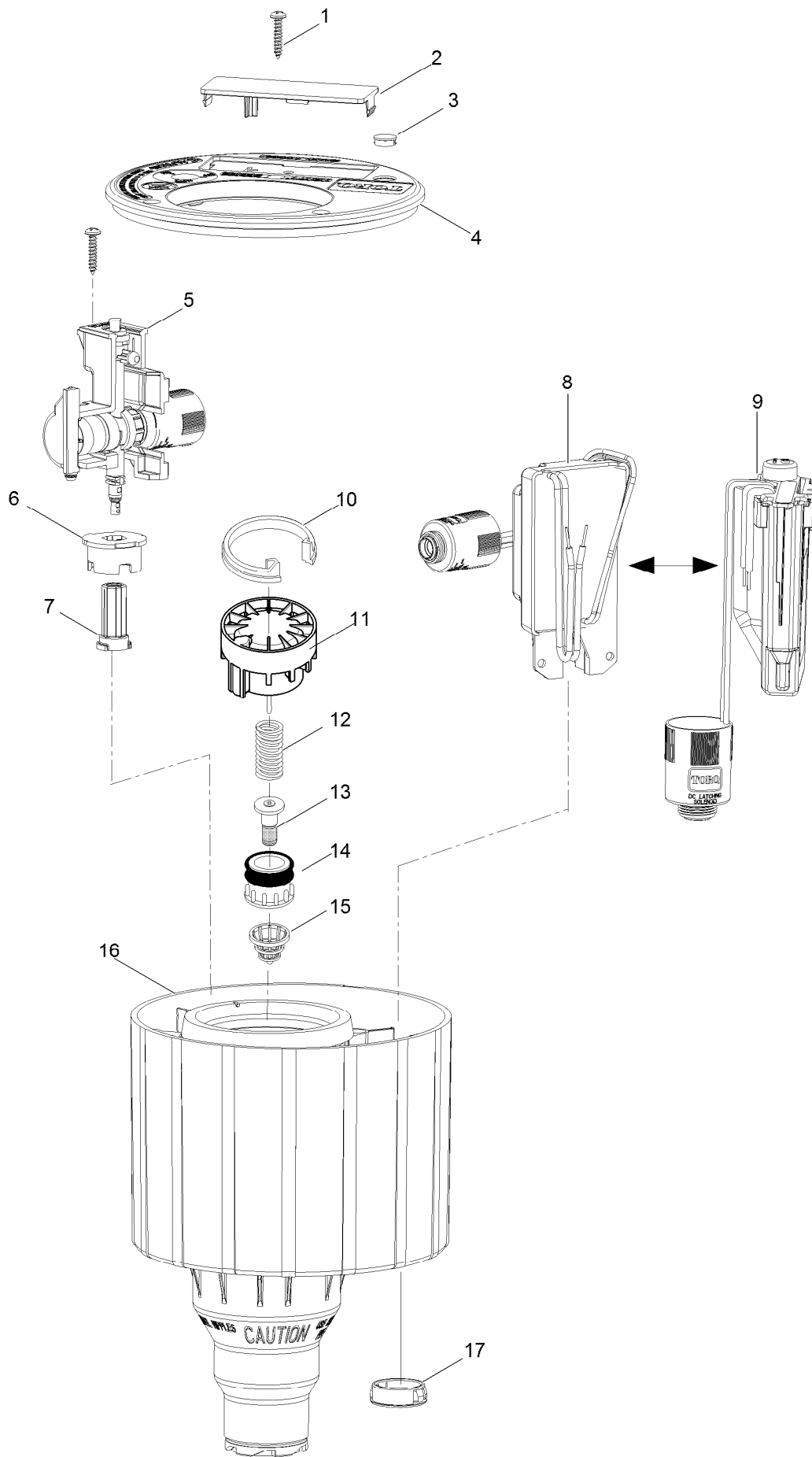
† Order Through Finished Goods Distribution System - Minneapolis

■ Not illustrated

◆ 1 Inch BSP Body Style

○ Not serviced separately

Golf Sprinkler Body, 1" - INFINITY Series



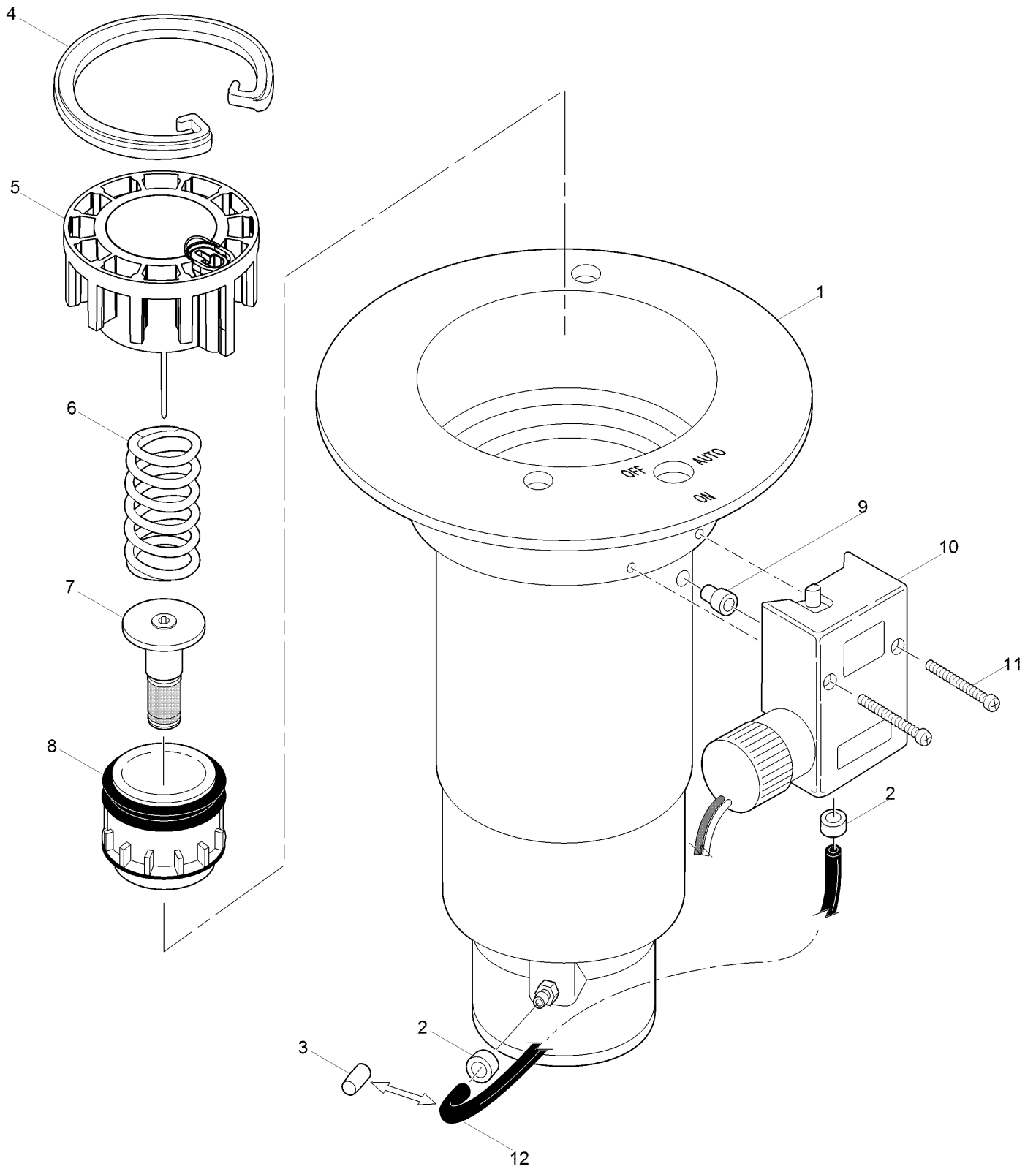
Golf Sprinkler Body, 1" - INFINITY Series (continued)

<i>Ref.</i>	<i>Part Number</i>	<i>Qty.</i>	<i>Description</i>	<i>Ref.</i>	<i>Part Number</i>	<i>Qty.</i>	<i>Description</i>
1	4102001	6	Screw, Tap, 10-12 X 1.00	10	89-4702	1	Snap Ring, Valve
2	118-1840	1	Marker, Blank	11	102-0623	1	Cylinder Assy., EI & No/Com
3	118-5398	1	Window	12	3-2633	1	Spring, Valve, No, EI & NC
4	118-5401	1	Cover W/ Window (Includes Item 3)	13	35-9646	1	Filter Assy., Metering, EI, NC
4	118-1813	1	Cover W/O Window	14	89-1054	1	Piston Assy., EI & NC (Includes Item 13)
5		1	Pilot Valve Assy. (See Pilot Valve Assembly Section) ▲	15	102-0784	1	Rock Screen, 1
6	118-1815	1	Retainer, Check Valve	16	118-3031	1	Body, W/ Comp, 1 Inch Acme
7	118-1827	1	Check Flow Assy., Vih Communication	17	364-1164	1	Plug, Cable Access
8	118-0841SK	1	Gdc Module W/ Solenoid, 1-Station, Golf Body	118-3651		1	Wire Splice Kit (Includes 2 Gel Caps And 2 Wire Nuts) ■●
8	DEC-ISP-1GB	1	Gdc Module W/O Solenoid, 1-Station, Golf Body	102-0624		1	Valve Assy., 1 Inch, Electric (Includes Items 11-14) ■●
9	118-4983SK	1	Lsm, 1-Station, Golf Body, Inf, W/ Solenoid	118-1844		1	Valve Insertion Tool, 1 Inch ■●
9	LSM-1	1	Lsm, 1-Station, Golf Body, Inf W/O Solenoid				

● SERVICE ITEMS
▲ Not serviced separately

■ Not illustrated

Golf Sprinkler Body, 1.5" - 600 and 700 Series



Golf Sprinkler Body, 1.5" - 600 and 700 Series (continued)

<i>Ref.</i>	<i>Part Number</i>	<i>Qty.</i>	<i>Description</i>	<i>Ref.</i>	<i>Part Number</i>	<i>Qty.</i>	<i>Description</i>
1	3-3389	1	Electric W/O Vih, Npt ◆	6	102-6411	1	Spring, Valve, El/No, Silver
1	3-3343	1	Hydraulic No W/O Vih, Npt ◆	6	3-3311	1	Spring-Valve, Com, Black
1	9-1257	1	Com W/O Vih, Npt (Includes Items 1, 2 And 12) ◆	7	35-9645	1	Filter Assy., Metering, El & NC
1	35-5362	1	Electric W/O Vih, BSP (Includes Items 1-3) □	8	89-1201	1	Piston Assy, Valve, No And Com
1	35-5322	1	Com W/O Vih, BSP (Includes Items 1, 2 & 12) □	8	102-5101	1	Piston Assy., El (Includes Item 7)
1	35-5245	1	Hydraulic No W/O Vih, BSP □	9	35-7663	1	Adapter, Pilot Valve To Body
1	89-8646	1	Electric W/O Vih, Acme ○	10		1	Pilot Valve Assy. (See Pilot Valve Assembly Section) ▲
1	89-8652	1	Com W/O Vih, Acme (Includes Items 1, 2 And 12) ○	11	3-2696	2	Screw-Tap, #8
1	89-8654	1	Hydraulic No W/O Vih, Acme ○	12	9-2623	1	Tube, 1/4, 14" Com
2	900-40	1	Retainer, Tube ▶	12	9-1876	1	Tube, 1/4, 12", Com
3	89-8157	1	Cap, 1/4, 8" El		89-1036		Valve Assy., No (Includes Items 4, 6 & 8) ●■
4	3-3304	1	Snap Ring, Valve		89-1037		Valve Assy., Com (Includes Items 4, 6 & 8) ●■
5	9-1479	1	Cylinder ASM, No, Com And Drain Valve		102-4003		Valve Assy., El (Includes Items 5-8) ●■
5	102-6142	1	Cylinder Assy., El And No/Com		9-6002	1	Adapter-Tubing, Threaded, 1/4 ●■

● SERVICE ITEMS

▲ Not serviced separately

□ 1.5 Inch BSP Body Style

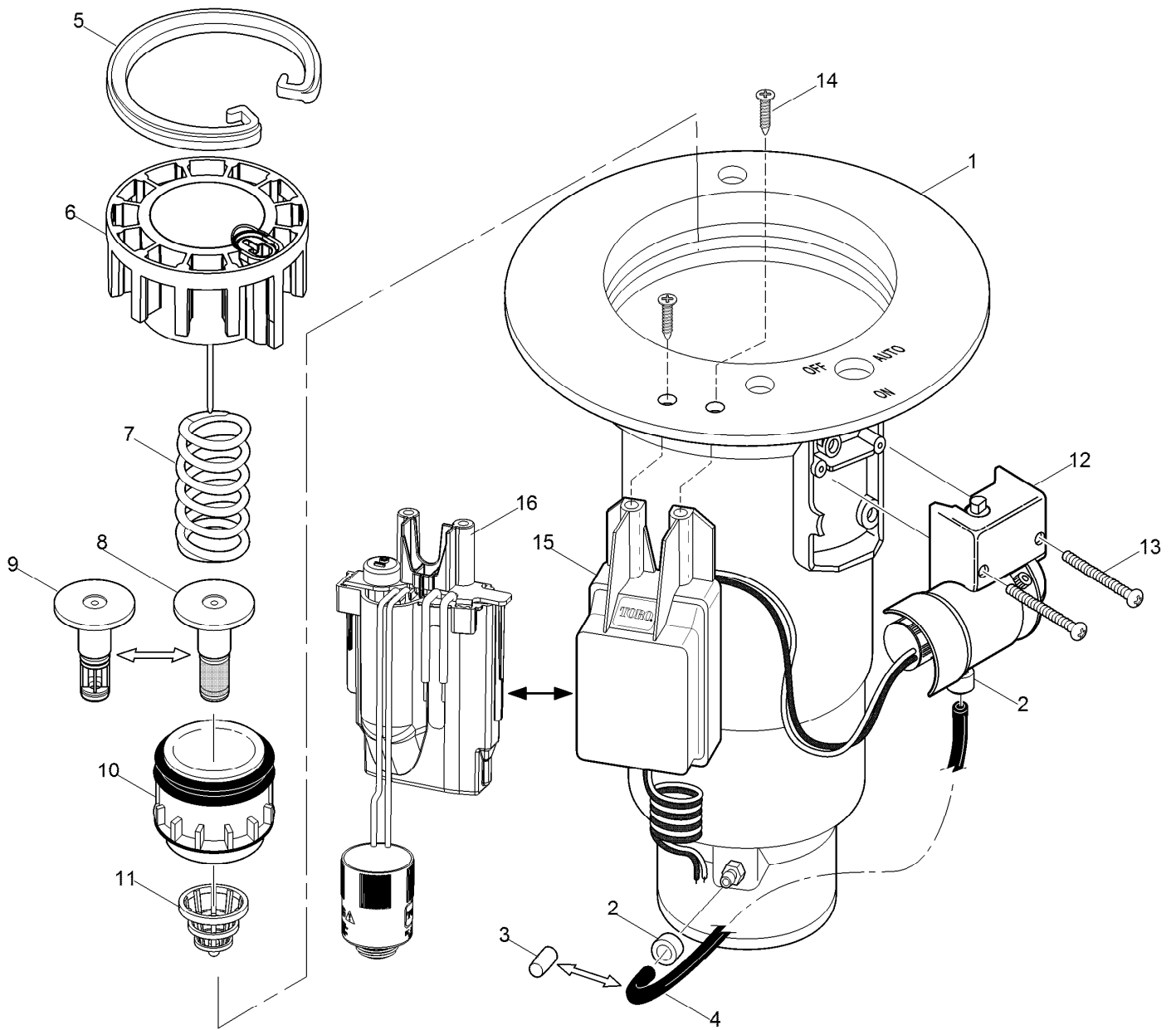
▶ Order Through Finished Goods Distribution System - Minneapolis

■ Not illustrated

◆ 1.5 Inch NPT Body Style

○ 1.5 Inch ACME Body Style

Golf Sprinkler Body, 1.5" - Flex, 800S and DT



Golf Sprinkler Body, 1.5" - Flex, 800S and DT (continued)

Ref.	Part Number	Qty.	Description	Ref.	Part Number	Qty.	Description
1	102-1149	1	Electric W/O Vih, Npt ◆	7	102-6411	1	Spring, Valve, El/No, Silver
1	102-1143	1	Hydraulic No W/O Vih, Npt ◆	7	3-3311	1	Spring-Valve, Com, Black
1	102-1137	1	Com W/O Vih (Includes Items 1, 2 & 4) ◆	8	35-9645	1	Filter Assy., Metering, El & NC
1	118-1134	1	Body Assy., 1.5" Npt (For Decoder Equipped Models) ◆	9	102-6530	1	Filter Assy., Non-Metering, No/Com
1	102-1151	1	Electric W/O Vih, BSP (Includes Items 1 And 2) □	10	102-6311	1	Piston Assy., Valve, No And Com
1	102-1139	1	Com W/O Vih (Includes Items 1, 2 & 4) □	10	102-5101	1	Piston Assy., El
1	102-1145	1	Hydraulic No W/O Vih, BSP □	11	102-6065	1	Rock Screen, 1.5 Inch
1	118-1135	1	Body Assy., 1.5" BSP (For Gdc/Lsm Equipped Models) □	12		1	Pilot Valve Assy., (See Pilot Valve Assembly Section.) ▶▲
1	102-1153	1	Electric W/O Vih, Acme ○	13	3-2696	2	Screw-Tap, #8
1	102-1141	1	Com W/O Vih (Includes Items 1, 2 & 4) ○	14	363-6396	2	Screw (For Gdc/Lsm Equipped Models)
1	102-1147	1	Hydraulic No W/O Vih, Acme ○	15	DEC-ISP-1GB	1	Gdc Module W/O Solenoid
1	118-1136	1	Body Assy., 1.5" Acme (For Decoder Equipped Models) ○	15	118-0841SK	1	Gdc Module W/ Solenoid, 1-Station, Golf Body
2	900-40	2	Retainer, Tube †	16	118-5402SK	1	Lsm Module, Flx W/ Solenoid, 1-Station, Golf Body
3	89-8157	1	Cap, 1/4, 8" El	16	118-4759SK	1	Lsm, 1-Station, Golf Body, Flx, W/O Solenoid
4	9-2623	1	Tube, 1/4, 14" Com		102-6309	1	Valve Assy., Com (Includes Items 6, 7, 9 And 10) ●■
4	9-2624	1	Tube, 1/4		102-6310	1	Valve Assy., No (Includes Items 6, 7, 9 And 10) ●■
5	3-3304	1	Snap Ring, Valve		102-4003	1	Valve Assy., 1.5" Elec. (Includes Items 6, 7, 8 And 10) ●■
6	102-6142	1	Cylinder Assy., El And No/Com				

● SERVICE ITEMS

▲ Not serviced separately

□ 1.5 Inch BSP Body Style

▶ See Pilot Valve Assembly Section.

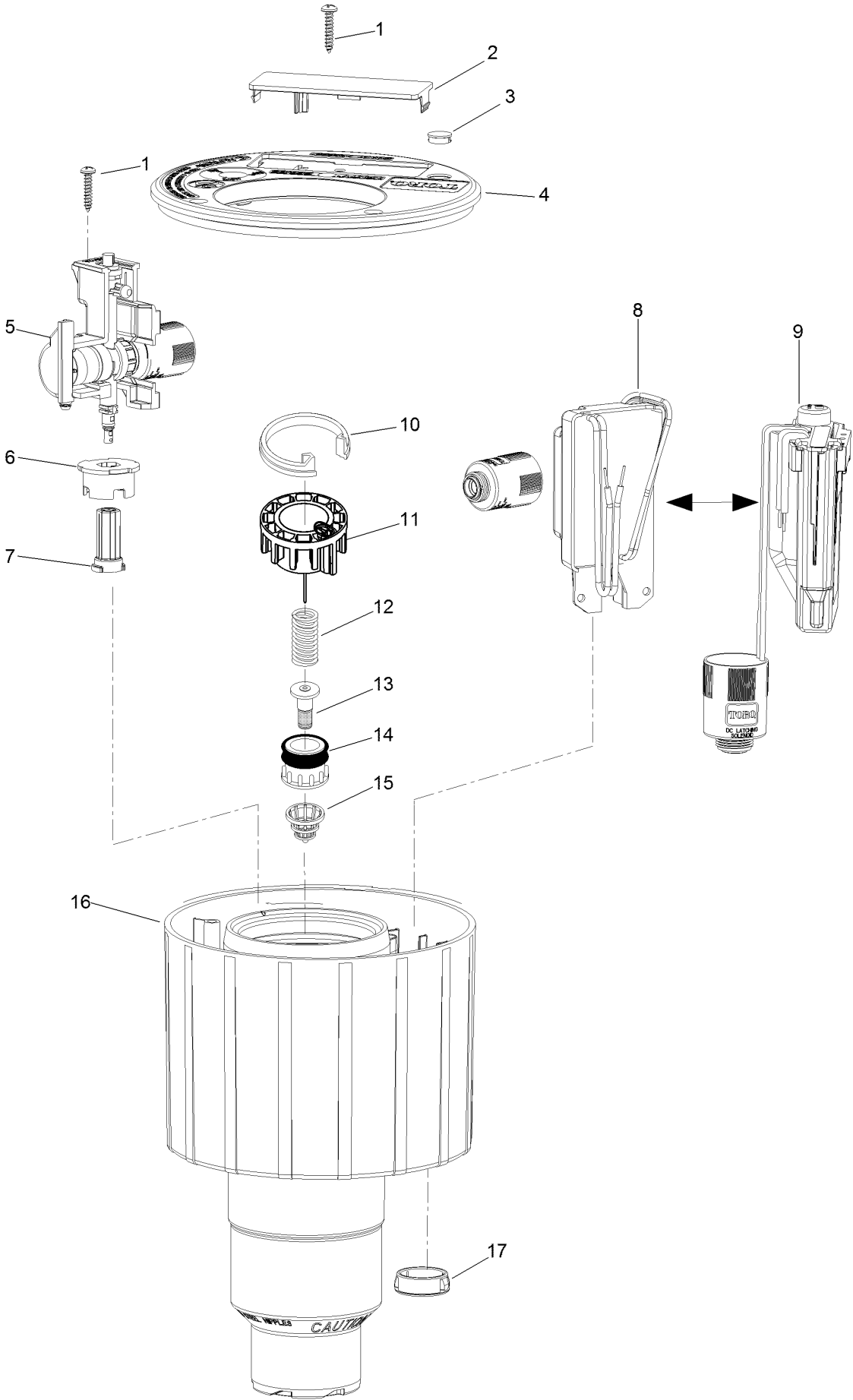
† Order Through Finished Goods Distribution System - Minneapolis

■ Not illustrated

◆ 1.5 Inch NPT Body Style

○ 1.5 Inch ACME Body Style

Golf Sprinkler Body, 1.5" - INFINITY Series

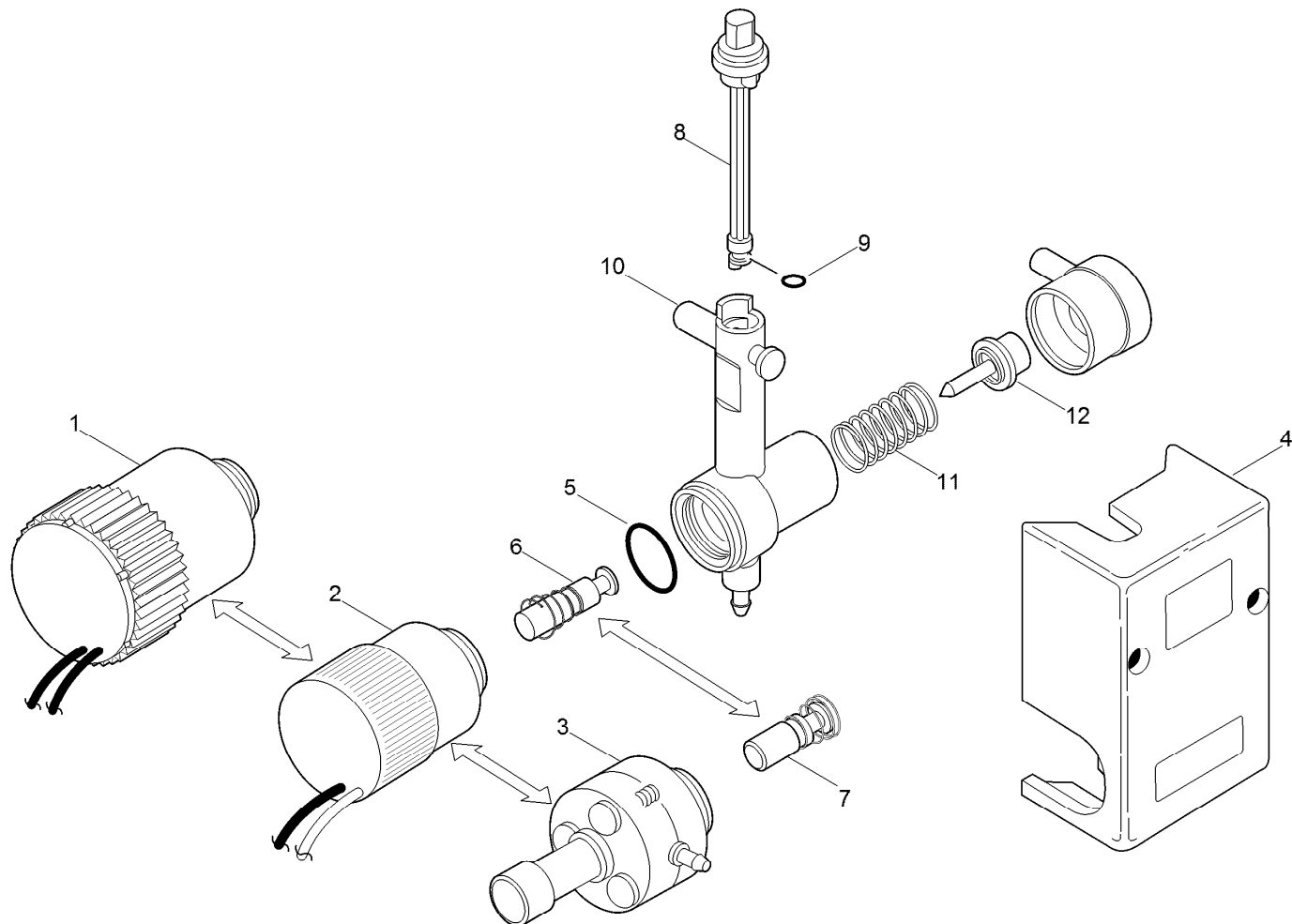


Golf Sprinkler Body, 1.5" - INFINITY Series (continued)

<i>Ref.</i>	<i>Part Number</i>	<i>Qty.</i>	<i>Description</i>	<i>Ref.</i>	<i>Part Number</i>	<i>Qty.</i>	<i>Description</i>
1	4102001	6	Screw, Tap, 10-12 X 1.00	10	3-3304	1	Snap Ring, Valve
2	118-1840	1	Marker, Blank	11	102-6142	1	Cylinder Assy., EI And No/Com
3	118-5398	1	Window	12	102-6411	1	Spring, Valve, EI/No, Silver
4	118-5401	1	Cover W/ Window (Includes Item 3)	13	35-9645	1	Filter Assy., Metering, EI & NC
4	118-1813	1	Cover W/O Window	14	102-5101	1	Piston Assy., EI
5		1	Pilot Valve Assy. (See Pilot Valve Assembly Section.) ▲	15	102-6065	1	Rock Screen, 1.5 Inch
6	118-1815	1	Retainer, Check Valve	16	118-3030	1	Body, W/ Comp, 1.5 Inch
7	118-1827	1	Check Flow Assy., Vih Communication	17	364-1164	1	Plug, Cable Access
8	118-0841SK	1	Gdc Module W/ Solenoid, 1-Station, Golf Body		118-3651	1	Wire Splice Kit (Includes 2 Gel Caps And 2 Wire Nuts) ■●
8	DEC-ISP-1GB	1	Gdc Module W/O Solenoid, 1-Station, Golf Body		102-4003	1	Valve Assy., 1.5 Inch, Electric (Includes Items 11-14) ■●
9	118-4983SK	1	Lsm, 1-Station, Golf Body, Inf, W/ Solenoid		118-1843	1	Valve Insertion Tool, 1.5 Inch ■●
9	LSM-1	1	Lsm, 1-Station, Golf Body, Inf W/O Solenoid				

● SERVICE ITEMS
▲ Not serviced separately

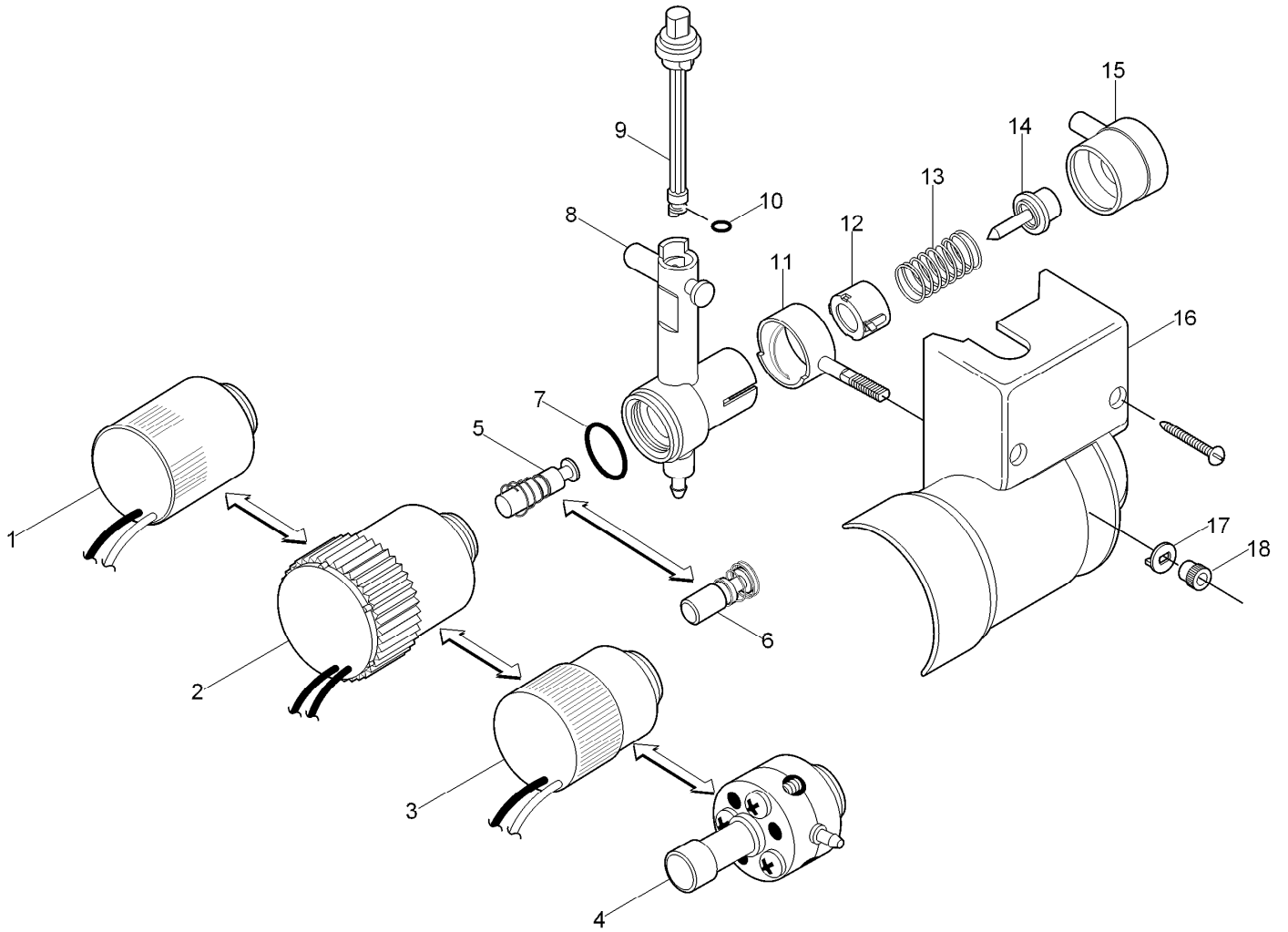
■ Not illustrated



Pilot Valve, Fixed Pressure - 600 and 700 Series

Ref.	Part Number	Qty.	Description
1	102-3443	1	Solenoid-Low Wattage, W/Surge Protection (Black Wires)
1	102-3444	1	Solenoid-Low Wattage, W/Surge Protection, Nickel Plated (Red Wires)
1	102-2709	1	Solenoid Assy., 24Vdc, Latching (Red W/ White Stripe And Black)
2	118-0248	1	Solenoid, 600/700 Series (Red & Black Wires)
3	89-6005	1	Adapter-Pilot Valve, NC
4	89-0001	1	Housing-Pilot Valve
5	360-0220	1	O-Ring (0.070 X 0.551 X 0.691) (As568-015)
6	102-7690	1	Plunger Assy., EI
7	89-6003	1	Plunger ASM, NC
8	102-0343	1	Selector Cam, Black (Includes Item 9)
9	1-2035	1	O-Ring, EI, Pr And Cr (0.070" X 0.114" X 0.254") (As568-006)
10	102-7723	1	Body Assy., Pilot Valve (Cross-Reference W/ New Pilot Valve Assy., W/O Solenoid)
11	35-9970	1	Spring, 50 Psi, Black
11	35-9971	1	Spring, 65 Psi, Green
11	35-9972	1	Spring, 80 Psi, Red
11	35-9973	1	Spring, 100 Psi, Blue
12	89-0029	1	Piston

Pilot Valve, Adjustable Pressure - Flex, 800S and DT

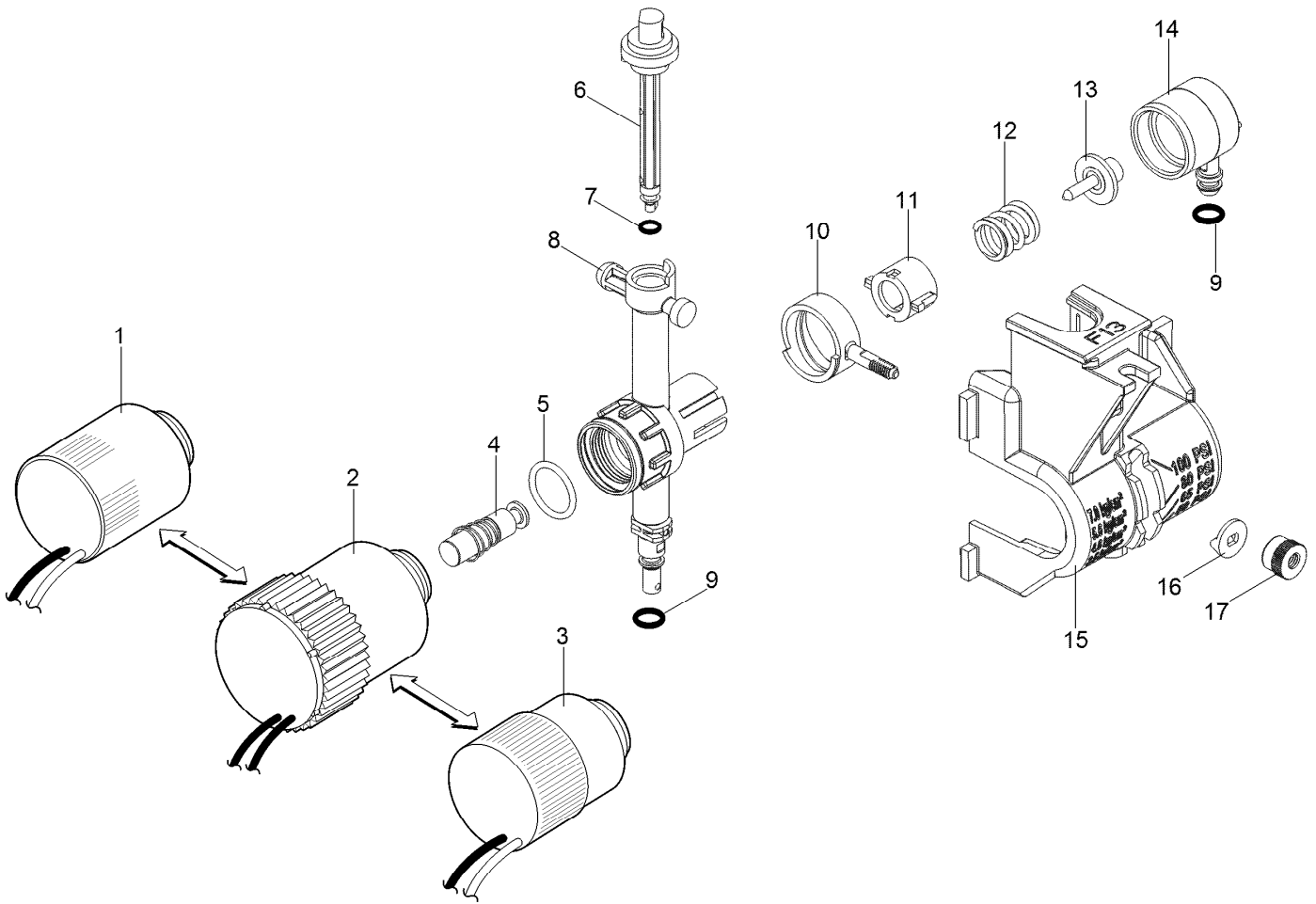


Pilot Valve, Adjustable Pressure - Flex, 800S and DT (continued)

<i>Ref.</i>	<i>Part Number</i>	<i>Qty.</i>	<i>Description</i>	<i>Ref.</i>	<i>Part Number</i>	<i>Qty.</i>	<i>Description</i>
1	102-2709	1	Solenoid Assy., 24Vdc, Latching (Red W/ White Stripe And Black)		102-5974		Pilot Valve Assy., Selectable Pressure W/Low Watt/High Surge Solenoid (Includes Items 2 [102-3443], 5 & 7-18) ●■
2	102-3443	1	Solenoid-Low Wattage, W/Surge Protection (Black Wires)		102-5178		Pilot Valve Assy., Selectable Pressure W/Standard Watt & Surge Solenoid (Includes Items 3, 5 & 7-18) ●■
2	102-3444	1	Solenoid-Low Wattage, W/Surge Protection, Nickel Plated (Red Wires)		102-5181		Pilot Valve Assy., Selectable Pressure W/Normally Closed Actuator (Includes Items 4 & 6-18) ●■
2	102-4979	1	Solenoid-Standard Wattage W/Surge Protection (Yellow Wires)		102-5976		Pilot Valve Assy., Selectable Pressure W/Low Watt/High Surge Nickel Plated (Includes Items 2 [102-3444], 5 & 7-18) ●■
3	118-0248	1	Solenoid, 600/700 Series (Red & Black Wires)		102-5977		Pilot Valve Assy., Selectable Pressure W/Standard Watt/High Surge, 3-Wire Decoder (Includes Items 2 [102-4979], 5 & 7-18) ●■
4	89-6005	1	Adapter-Pilot Valve, NC		102-6533		Pilot Valve Assy., Selectable Pressure W/Dc Latching Solenoid, 2-Wire Decoder (Includes Items 1, 5 & 7-18) ●■
5	102-7690	1	Plunger Assy., El				
6	89-6003	1	Plunger ASM, NC				
7	360-0220	1	O-Ring (0.070 X 0.551 X 0.691) (As568-015)				
8	102-4747	1	Body Assy., Pilot Valve				
9	102-0343	1	Selector Cam, Black (Includes Item 10)				
9	102-4831		Selector Cam, Red (Includes Item 10)				
10	1-2035	1	O-Ring, El, Pr And Cr (0.070" X 0.114" X 0.254") (As568-006)				
11	102-2237	1	Adjuster, PSI				
12	102-2236	1	Traveling Nut		118-0841SK	1	Gdc Module W/ Solenoid, 1-Station, Golf Body ●■
13	102-2235	1	Spring		118-5402SK	1	Lsm Module, Flx W/ Solenoid, 1-Station, Golf Body ●■
14	102-2469	1	Piston				
15	102-2473	1	Diaphragm Assy.				
16	118-0669	1	Housing, Pilot Valve				
17	102-2606	1	Adjustment Locator				
18	363-4441	1	Nut, Adjuster				
	102-5975		Pilot Valve Assy., Selectable Pressure Less Solenoid (Includes Items 5 & 7-18) ●■				

● SERVICE ITEMS

■ Not illustrated



Pilot Valve, Adjustable Pressure - INFINITY Series

Ref.	Part Number	Qty.	Description
1	102-2709	1	Solenoid Assy., 24Vdc, Latching (Red W/ White Stripe And Black)
2	102-3443	1	Solenoid-Low Wattage, W/Surge Protection (Black Wires)
2	102-3444	1	Solenoid-Low Wattage, W/Surge Protection, Nickel Plated (Red Wires)
2	102-4979	1	Solenoid-Standard Wattage W/Surge Protection (Yellow Wires)
2	102-4979	1	Solenoid-Standard Wattage W/Surge Protection (Yellow Wires)
3	118-0248	1	Solenoid, 600/700 Series (Red & Black Wires)
4	102-7690	1	Plunger Assy., EI
5	360-0220	1	O-Ring (0.070 X 0.551 X 0.691) (As568-015)
6	102-4831	1	Selector Cam, Red (Includes Item 7)
7	1-2035	1	O-Ring, EI, Pr And Cr (0.070)
8	118-3711	1	Body Assy., Pilot Valve
9	2-9654	2	O-Ring
10	102-2237	1	Adjuster, PSI

Ref.	Part Number	Qty.	Description
11	102-2236	1	Traveling Nut
12	102-2235	1	Spring
13	102-2469	1	Piston
14	118-1825	1	Diaphragm Assy.
15	118-1816	1	Housing, Pilot Valve, Infinity
16	102-2606	1	Adjustment Locator
17	363-4441	1	Nut, Adjuster
	118-1826	1	Pilot Valve, Spike-Guard Solenoid (Includes Items 2 [102-3443] & 4-17) ■●
	118-1982	1	Pilot Valve W/O Solenoid (Includes Items 4-17) ■●
	118-1983	1	Pilot Valve W/ Nickel Plated Spike-Guard Solenoid (Includes Items 2 [102-3443] & 4-17) ■●
	118-1984	1	Pilot Valve W/ Dc Latching Solenoid (Includes Items 1 & 4-17) ■●
	118-1985	1	Pilot Valve W/ 600/700 Solenoid (Includes Items 3-17) ■●
	118-0841SK	1	Gdc Module W/ Solenoid, 1-Station, Golf Body ■●
	118-4983SK	1	Lsm, 1-Station, Golf Body, Inf, W/ Solenoid ■●

● SERVICE ITEMS

■ Not illustrated



Count on it.