



Count on it.

Parts Catalog

OSMAC® G3 Satellite

Model No. OSMAC G3 SATELLITE



Ordering Replacement Parts

To order replacement parts, please supply the part number, the quantity, and the description of each part desired.

Understanding Reference Numbers

Each identified part in an illustration has a reference number. The reference number for a part also appears in the parts list, along with other information about the part.

This catalog uses two special reference number formats, one to indicate parts in a service assembly and another to indicate the quantity of a given part in an illustration.

Service Assembly Reference Numbers

Parts in service assemblies have reference numbers in the form a:b. The a represents the reference number of the entire service assembly and the b represents a sequential number unique to each part within the service assembly.

For example, a wheel assembly might be identified by reference number 6, the tire by 6:1, the valve by 6:2, and the wheel by 6:3. When you order the assembly identified by reference number 6, you receive all parts identified by reference numbers 6:1, 6:2, and 6:3. However, you may also order any part individually. Reference numbers of this type appear in illustration and in parts lists.

Reference Numbers Indicating Quantity

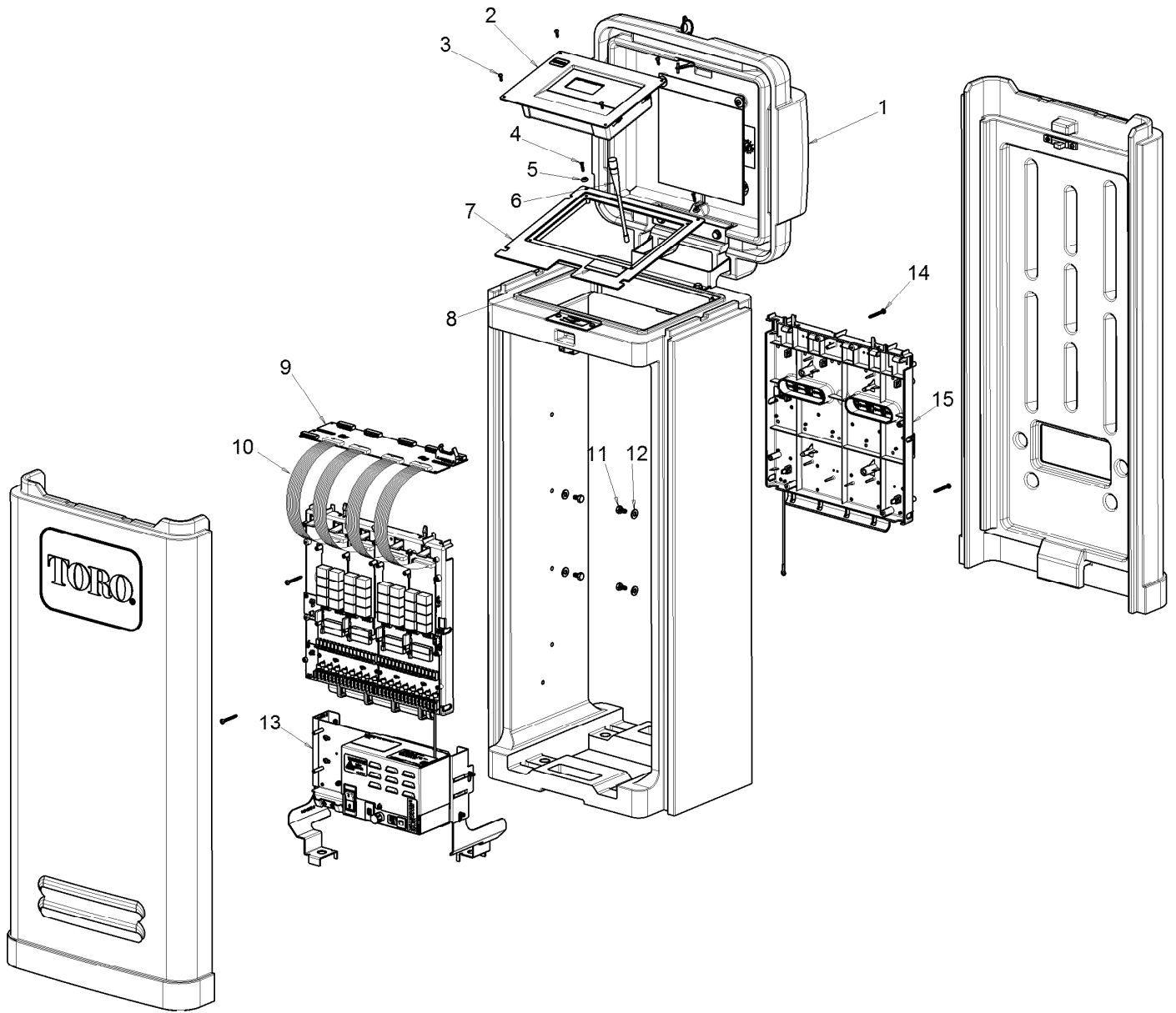
In an illustration, if a reference number indicates more than one part, the reference number has the form nX y. The n represents the quantity of the part, the X is the multiplication symbol, and the y represents the reference number.

For example, in an illustration, the reference number 2X 37 means that two of the parts identified by reference number 37 are indicated.

Contents

- OSMAC G3 - Satellite 2016-2018 4
- OSMAC G3 - Front/Backplate Assembly 6
- OSMAC G3 - Satellite, 2019 Model and Newer 8
- OSMAC G3 - Power Supply 10

OSMAC G3 - Satellite 2016-2018

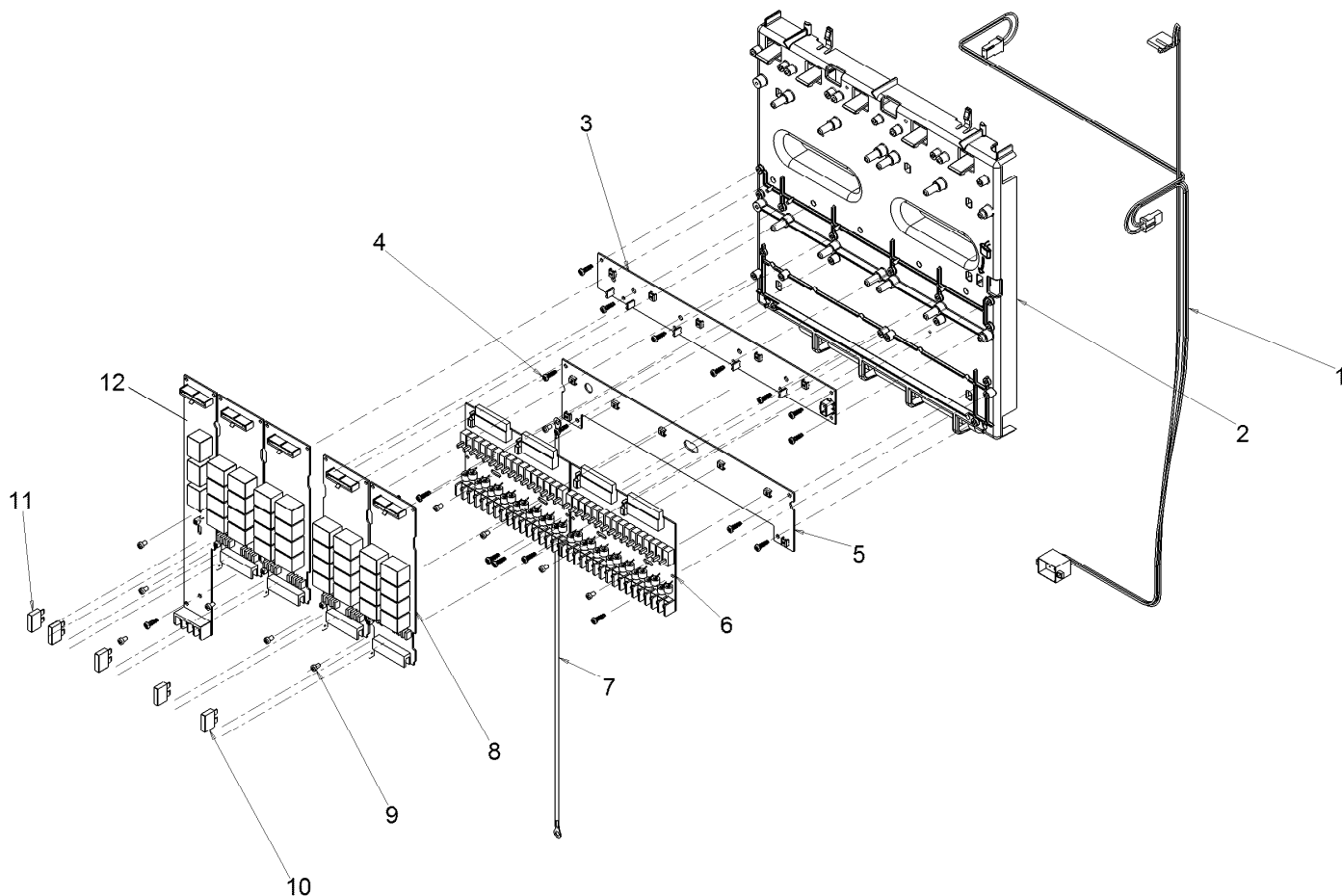


OSMAC G3 - Satellite 2016-2018 (continued)

<i>Ref.</i>	<i>Part Number</i>	<i>Qty.</i>	<i>Description</i>	<i>Ref.</i>	<i>Part Number</i>	<i>Qty.</i>	<i>Description</i>
1	118-0828	1	Plastic Pedestal, Short, Green, Assembly	8	91-0910	1	Decal, Caution
1	118-0829	1	Plastic Pedestal, Short, Tree Bark, Assembly	9	102-0672	1	Output Distribution Module Assy.
1	118-0830	1	Plastic Pedestal, Short, Desert Sand, Assembly	10	102-0670	4	Ribbon Cable, Distribution To Output, 4
2	118-2986SK	1	Timing Module, Osmac G3	11	363-8634	4	Screw-Cap, HH
	118-6929	1	Tm Cable ■●	12	360-0140	4	Washer-Flat
3	363-6504	4	Tap Screw, Timing Mechanism	13	118-6366SK	1	Power Supply Assembly (See Power Supply Section For Individual Component Listing)
4	363-6520	2	Tap Screw, Countersunk, Tm Faceplate	14	3-2696	4	Screw-Tap, #8
5	363-8394	2	Washer, Faceplate	15	89-9931SK	1	Mounting Front/Backplate, Plastic
6	363-7402	1	Bnc Antenna, 6"				
7	102-0664	1	Tm Mounting Faceplate				

● SERVICE ITEMS

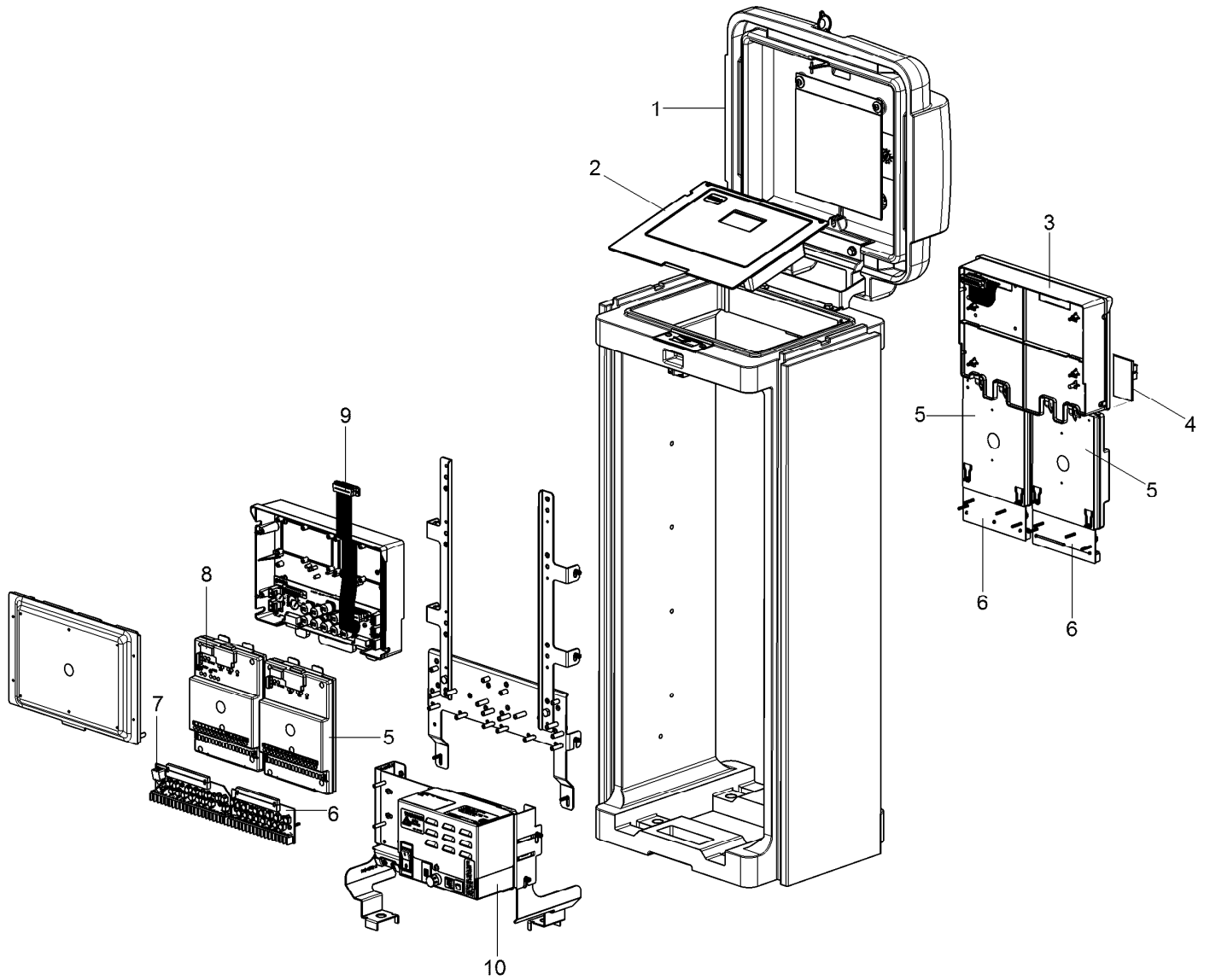
■ Not illustrated



OSMAC G3 - Front/Backplate Assembly

Ref.	Part Number	Qty.	Description
1	89-9983	1	Cable Assy., Power Supply
2	89-9931SK	1	Mounting Front/Backplate, Plastic
3	102-0653	1	24 Vac Bus Bar
4	363-8289	18	Screw, Tap, #6
5	102-0652	1	Earth Ground Bus Bar
6	102-0641	2	Terminal Block, Switches, Option M3
6	102-0642	2	Terminal Block, Switches, Surge Pills, Option M4
7	89-6930	1	14GA Ground Wire, Yel/Grn
8	102-0654	4	Osmac G3 Output Module
9	363-3947	10	Screw, Thru
10	102-0657	4	Fuse, 3.0 Amp, Fast-Blow, Service (5-Pack)
11	102-0658	1	Fuse, 1.0 Amp, Fast-Blow, Service (5-Pack)
12	102-0669	1	Pump/Common Module Assy.

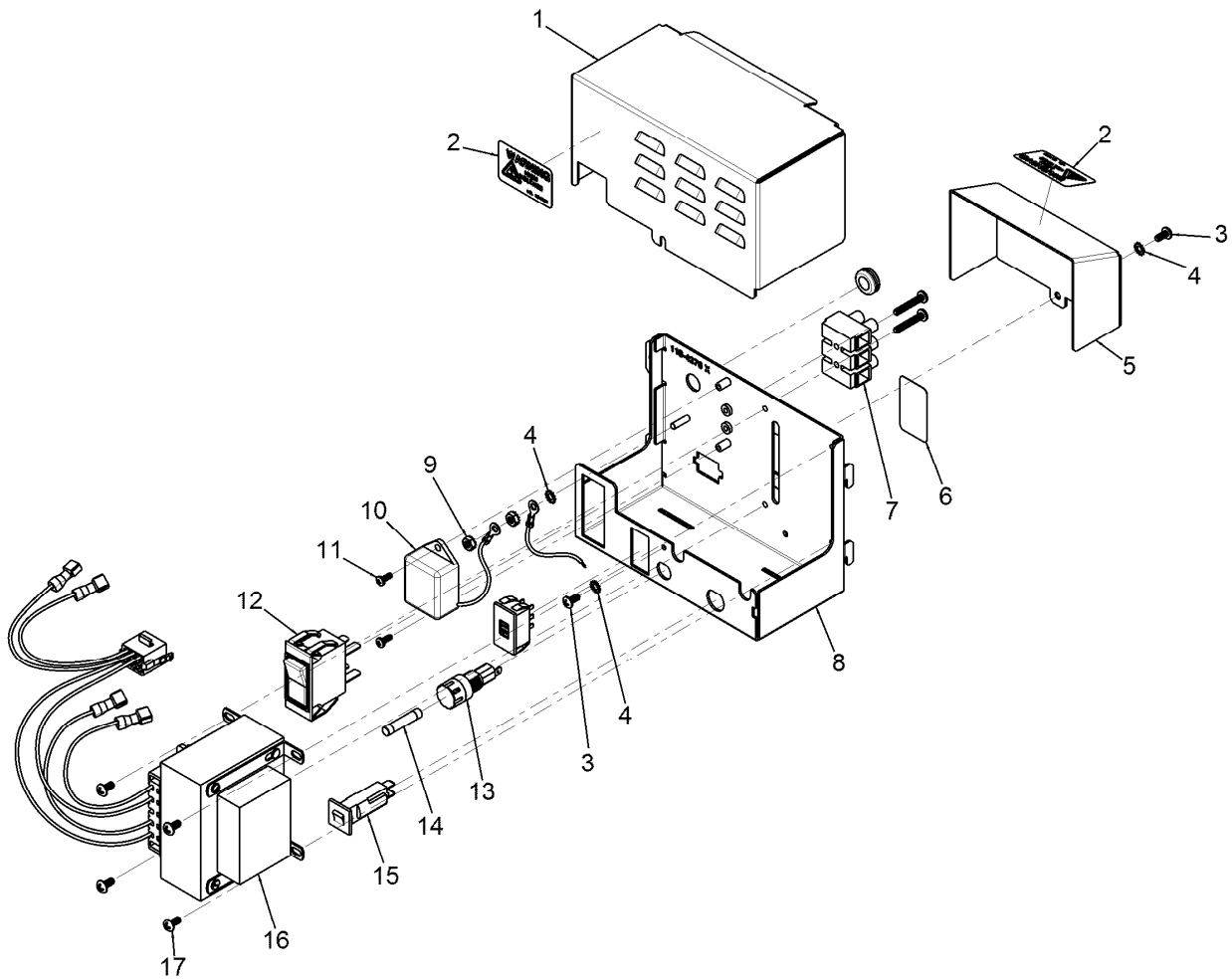
OSMAC G3 - Satellite, 2019 Model and Newer



OSMAC G3 - Satellite, 2019 Model and Newer (continued)

<i>Ref.</i>	<i>Part Number</i>	<i>Qty.</i>	<i>Description</i>	<i>Ref.</i>	<i>Part Number</i>	<i>Qty.</i>	<i>Description</i>
1	118-0828	1	Plastic Pedestal, Short, Green, Assembly	6	118-3047SK	3	Output Surge Assembly, Level 4
1	118-0829	1	Plastic Pedestal, Short, Tree Bark, Assembly	7	118-6035SK	1	Output/Pump Surge Assembly, Level 3
1	118-0830	1	Plastic Pedestal, Short, Desert Sand, Assembly	7	118-6034SK	1	Output/Pump Surge Assembly, Level 4
2	118-2986SK	1	Timing Module, Osmac G3	8	118-6369SK	1	Pump/Com/Output Module
3	118-4438SK	1	Distribution Panel Assembly, Backside	9	118-4172	1	Cable, Tm To Power Board
4	118-3128SK	1	Distribution Board, Backside	10	118-6366SK	1	Power Supply Assembly (See Power Supply Section For Individual Component Listing) ●
5	118-6370SK	3	Output Module Assembly				
6	118-6032SK	3	Output Surge Assembly, Level 3				

● Not illustrated



OSMAC G3 - Power Supply

Ref.	Part Number	Qty.	Description
1	118-4269	1	Cover, Power Supply Housing
2	89-0722	2	Label, Warning
3	360-0498	2	Screw, Machine, 8-32 X 1/4
4	363-6505	3	Lock Washer, #8, Steel
5	118-4268	1	Cover, Power Supply Terminal
6	89-7325	1	Label, Terminal Block
7	363-3981	1	Terminal Block, 3-Position, 6 Awg
8	118-4270	1	Bottom, Power Supply Housing
9	363-1483	2	Nut-Hex, K Lock
10	118-0538SK	1	Toro Transient Filter, Ttf
11	363-8690	2	Screw, Machine, 6-32 X 3/8, Phph, Stl
12	363-3361	1	Switch, Circuit Breaker, 1.5A
13	360-0750	1	Holder, Fuse
14	363-2497	1	Fuse, 3.2 Amp
15	363-5270	1	Circuit Breaker, 4.0A
16	102-0409	1	Transformer Assembly
17	3-1453	4	Screw, Machine, 10-32 X 3/8, Phph, SS
	102-0645	1	Power Supply Assy. ●

● Not illustrated



Count on it.