



**Count on it.**

**Parts Catalog**

Model No. LYNX SMART SATELLITE—Serial No. 0000001 and Up



# Ordering Replacement Parts

To order replacement parts, please supply the part number, the quantity, and the description of each part desired.

## Understanding Reference Numbers

Each identified part in an illustration has a reference number. The reference number for a part also appears in the parts list, along with other information about the part.

This catalog uses two special reference number formats, one to indicate parts in a service assembly and another to indicate the quantity of a given part in an illustration.

## Service Assembly Reference Numbers

Parts in service assemblies have reference numbers in the form a:b. The a represents the reference number of the entire service assembly and the b represents a sequential number unique to each part within the service assembly.

For example, a wheel assembly might be identified by reference number 6, the tire by 6:1, the valve by 6:2, and the wheel by 6:3. When you order the assembly identified by reference number 6, you receive all parts identified by reference numbers 6:1, 6:2, and 6:3. However, you may also order any part individually. Reference numbers of this type appear in illustration and in parts lists.

## Reference Numbers Indicating Quantity

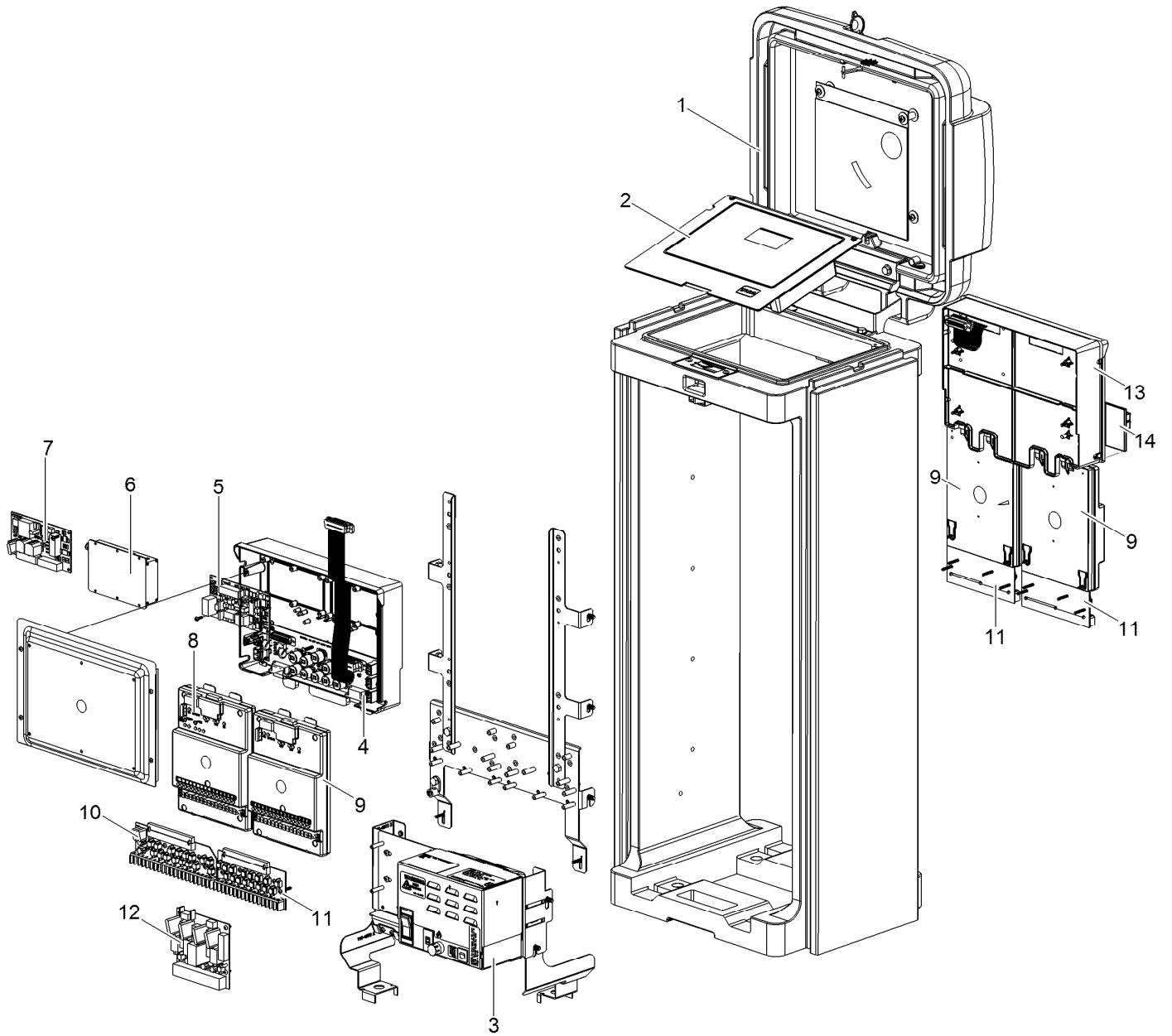
In an illustration, if a reference number indicates more than one part, the reference number has the form nX y. The n represents the quantity of the part, the X is the multiplication symbol, and the y represents the reference number.

For example, in an illustration, the reference number 2X 37 means that two of the parts identified by reference number 37 are indicated.

# Contents

Lynx Smart Satellite ..... 4  
Lynx Smart Satellite - Power Supply ..... 6

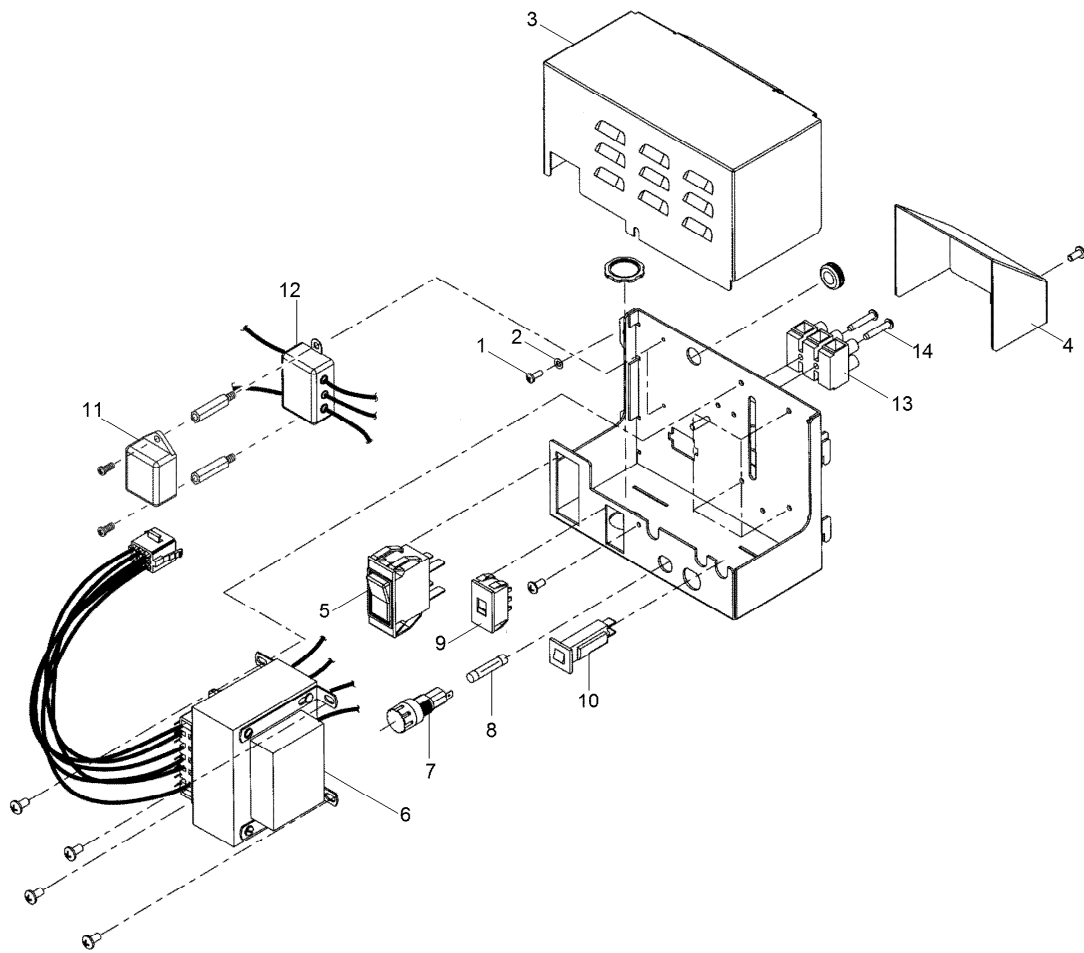
# Lynx Smart Satellite



## Lynx Smart Satellite (continued)

<i>Ref.</i>	<i>Part Number</i>	<i>Qty.</i>	<i>Description</i>	<i>Ref.</i>	<i>Part Number</i>	<i>Qty.</i>	<i>Description</i>
1	118-0828	1	Plastic Pedestal, Short, Green, Assembly	7	118-3339SK	1	Radio Interface Assembly (Radio Models Only)
1	118-0829	1	Plastic Pedestal, Short, Tree Bark, Assembly		118-4440SK	1	Smart Satellite Radio Kit (Includes Antenna And Items 6 & 7) ●
1	118-0830	1	Plastic Pedestal, Short, Desert Sand, Assembly	8	118-6369SK	1	Pump/Com/Output Module
2	118-6363SK	1	Timing Mechanism, Lynx Smart Satellite	9	118-6370SK	3	Output Module Assembly
3	118-6366SK	1	Power Supply Assembly (See Power Supply Section For Individual Component Listing)	10	118-6035SK	1	Output/Pump Surge Assembly, Level 3
4	118-3045SK	1	Distribution Board Assembly (Front Panel)	10	118-6034SK	1	Output/Pump Surge Assembly, Level 4
5	118-3705SK	1	Modem, Wireline, Pcb (Central Controlled Models Only)	11	118-6032SK	1	Output Surge Assembly, Level 3
6	118-3442SK	1	Radio Module, Transceiver, Rv-M7-UC (Radio Models Only)	11	118-3047SK	1	Output Surge Assembly, Level 4
				12	118-4680SK	1	Surge Assembly, Level 3
				12	118-1524SK	1	Surge Assembly, Level 4
				13	118-4438SK	1	Distribution Panel Assembly, Backside
				14	118-3128SK	1	Distribution Board, Backside

● Not illustrated



## Lynx Smart Satellite - Power Supply

Ref.	Part Number	Qty.	Description
1	4-1063	2	Screw, Tap, #6
2		2	Washer, Lock, #6 ♦
3	102-0646	1	Cover, Power Supply
4	102-0695	1	Cover, Wire Terminal
5	102-0666	1	On/Off Switch
6	102-0382	1	Transformer Assy., Service ●
6	102-3759	1	Transformer Assy., Service (For Japanese Models Only) ●
7	102-0649	1	Fuse Holder W/Cap
8	102-0650	1	Fuse, 3.2 Amp, Slow-Blow (10-Pack) ●
9	102-0648	1	Slide Switch 115/230V
10	102-0651	1	Circuit Breaker, 4.0 Amp
11	118-0538SK	1	Ttf Surge Protector
12	102-0700	1	Filter Assy., Rfi
13	102-0667	1	Terminal Block, 115/230V (Includes Item 14) ▲
14	360-0297	2	Screw, #6 X 3/4"
	102-0645	1	Power Supply Assembly (Includes Items 1-14) ■

● SERVICE ITEMS  
▲ (Includes Item 14)

■ Not illustrated  
♦ Not serviced separately

**Notes:**



**Count on it.**