



WORKMAN® GTX
UTILITY VEHICLES



Simply Superior.

SUPERIOR POWER



WE SET OUT TO BUILD A UTILITY VEHICLE THAT IS SIMPLY SUPERIOR.

The result is the grounds-and-turf crossover Workman® GTX. It boasts an unequaled combination of comfort, utility and control that makes it simply superior to the competition. Its power, improved steering, and exclusive suspension and braking systems make the Workman GTX the most versatile, practical and comfortable utility vehicle in its class. Whether you are working around campus, setting cups, checking on irrigation, or moving people or materials, the Workman GTX has the power and versatility to get the job done, better.



WE MADE IT LIGHTER AND STRONGER TO GIVE IT SUPERIOR POWER.

Whether you choose the 429 cc gasoline or 48-volt electric Workman GTX, power and performance come standard. An improved power-to-weight ratio boosts payload capacity and productivity. The Workman GTX is the smarter, more efficient way to get the job done.



» WORKMAN GTX ELECTRIC MODEL

The Workman GTX electric model features a 48-volt brushless AC induction drive along with an easily accessible on-board charger which results in higher efficiency and less maintenance. The single-point watering system and water level indicators come standard and make battery maintenance quick and easy.



» WORKMAN GTX GAS MODEL

Powered by a 429 cc, single-cylinder Kohler® gas engine, the GTX is equipped to provide the performance you need.

SUPERIOR CONTROL



STAY IN CONTROL. NO MATTER WHAT CONDITIONS YOU ARE FACED WITH.

With coil-over shocks on all four wheels, a class-exclusive split frame and gimble joint, and low-maintenance hydraulic disk brakes, the Workman® GTX keeps you in control throughout the entire workday.

HANDLE THE TERRAIN

When faced with uneven terrain, the split frame and gimble joint allows the Workman GTX to articulate and keep all four wheels safely on the ground.

STAY IN CONTROL

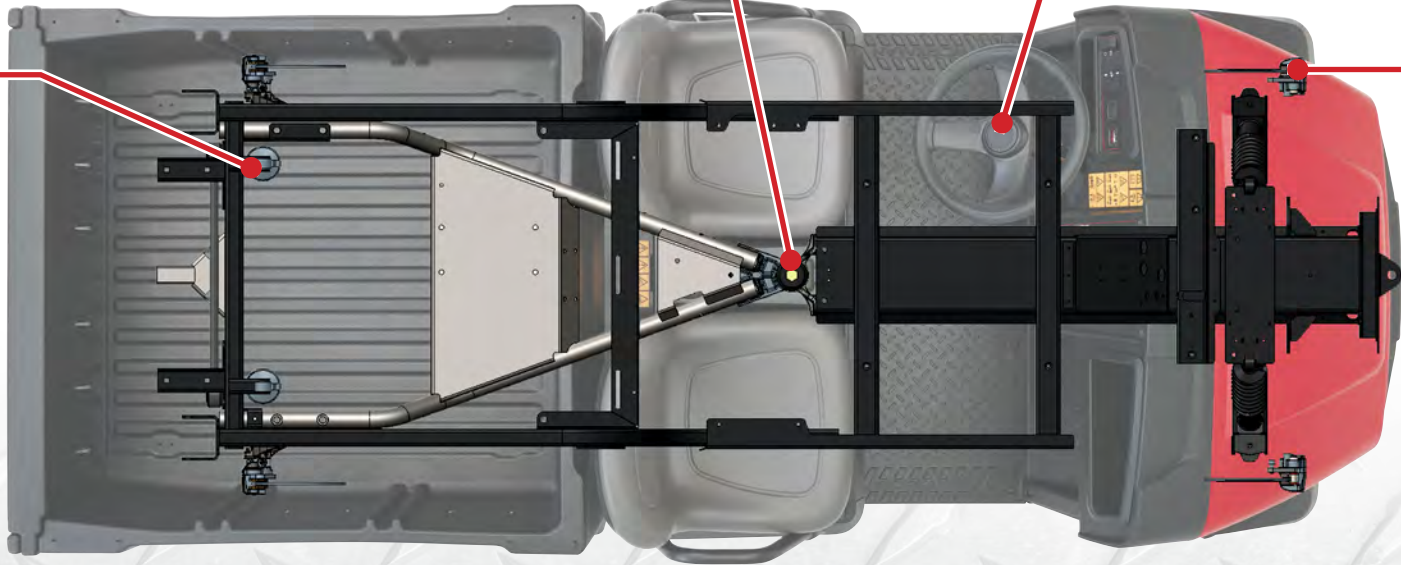
An automotive-grade rack and pinion steering system provides exceptional control with minimal steering effort while operating fully loaded or empty.

COMFORTABLE RIDE

Coil-over shocks on all four wheels deliver greater suspension travel and adjustability resulting in a smoother ride while minimizing operator fatigue.

RELIABLE STOPPING POWER

Four-wheel hydraulic disk brakes reduce maintenance, no cable adjustment and less pedal force than mechanical cable brakes is required in order to give the Workman GTX reliable and consistent stopping power.



SUPERIOR DURABILITY



WE WERE TOUGHER ON IT THAN YOU WILL EVER BE.

Virtually unbreakable exterior components and a powder coated frame and underbody give the Workman® GTX superior durability. How do we know? We pushed it to the limits with punishing lab tests and showed it no mercy in real-world challenges with customers. The Workman GTX has been through it all so you can run it hard, day after day with confidence.



DELUXE BENCH SEAT KIT

Featuring Elastomeric Vibration Control (EVC) to improve comfort, the deluxe bench seat is available as an alternative to the standard bucket seats.



» WE MADE SURE TO DO THE LITTLE THINGS RIGHT

We didn't think of everything. You did. We just listened. Full access to the engine compartment makes service a breeze. Storage is abundant and two standard USB ports make a low phone battery on the job a thing of the past.



» DESIGNED TO LAST

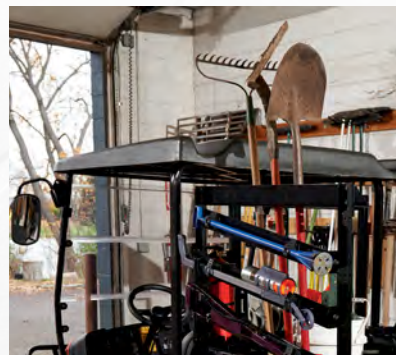
Reduce the risk of denting and withstand the elements with the Workman GTX's composite bed and bumper.

SUPERIOR VERSATILITY



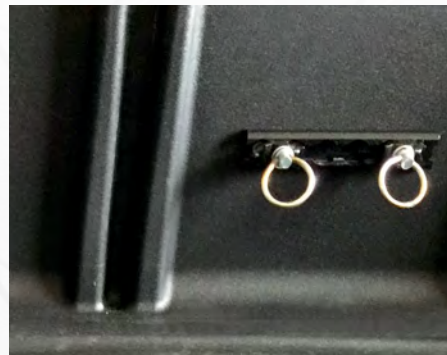
WE MADE IT TO SATISFY YOUR NEEDS. ALL OF THEM.

Introducing your new vehicle, watering rig, people mover, utility wagon, toolbox, irrigation cart, material hauler, cruiser, garbage collector, crew shuttle, equipment transporter and best friend. The Workman® GTX is adaptable to nearly any task. Two or four-seat configurations come with bench or bucket seats. Front and rear attachment points for garbage cans, hose reels or walk spreaders free up the bed for more hauling capacity. Four and six-foot flat beds are also available. With over 300 unique configurations available, you're sure to find the one that will meet your needs and exceed expectations.



» RACKING

Save bed space by securing everyday items, such as rakes and shovels, to the bed mounted racking system.



» L-TRACK SYSTEM

Also known as logistic track, L-Track is a versatile tie down system of rails and fittings that can be used to secure cargo in and around the bed.

FRONT AND REAR MOUNTED ATTACHMENT OPTIONS.

The Workman® GTX features a standard 1¼ inch (32mm) receiver integrated at the back of the vehicle with an optional front mount. Both mounting points are above the base frame and suspension, minimizing rattling and vibration that occur on traditional drawbar receiver-mounted attachments.



A universal walk spreader mount with self-storing ramps eliminates lifting the spreader in and out of the back of the vehicle. Simply push it up the ramp, store and go.



Free up bed space by attaching your hose reel to the optional front or standard rear receiver.



Dual garbage/recycling container mount attachment allows customers to set up a vehicle for morning trash collection, and quickly remove for normal run-around vehicle needs.

SPECIFICATIONS

WORKMAN GTX

MODEL	GAS		ELECTRIC	
POWER SYSTEM	429 cc, air-cooled, single-cylinder Kohler® gasoline engine. Meets current EPA & CARB exhaust and evaporative emissions regulations		48 volt brushless AC induction drive	
STEERING	Rack and pinion steering system with ergonomically positioned column. Steering wheel has 2.75 turns lock-to-lock with 13.75" (35 cm) diameter			
TURNING RADIUS	Turning clearance circle: 20.7' (6.3 m) Inside turning radius: 60.25" (153 cm)			
BRAKES	Front and rear wheel hydraulic disc brakes.			
SUSPENSION	FRONT - Modified MacPherson Strut. REAR - Articulating Swing Arm. Adjustable Coil-Over Shocks at all four wheels			
SUSPENSION TRAVEL	Front Suspension Travel: 3.5" (8.9 cm) Rear Suspension Travel: 4" (10.2 cm)			
FUEL CAPACITY	5 gallons (18.9 liters)		N/A	
GROUND SPEED	16 mph (25.6 km/h) governed			
TRANSAXLE	11.47:1 Forward, 14.35:1 Reverse		17:1 double-reduction high torque.	
GROUND CLEARANCE	Front: 8.5" (21.6 cm), Rear: 6.1" (15.5 cm)			
TIRES	20 x 8-10, 4-ply			
BATTERIES	One 12-volt starter battery		Eight Trojan® Advanced Deep Cycle 6 volt batteries featuring a single port fill system and water level indicators	
CONTROLLER	N/A		540 amps max with regenerative motor braking, roll-away protection, thermal cutback, sealed/waterproof, status light and three power modes	
CHARGER	N/A		On-board high efficiency 1kW smart charger with 85-265VAC global input, temperature controlled, sealed & waterproof, remote indicator viewable at charge port	
ELECTRIC MOTOR	N/A		Brushless high-torque AC Induction motor with 5.0kW continuous power	
CARGO BED (Inside Dimensions)	WIDTH 38.5" (97.8 cm)	LENGTH 40" (101.6 cm)	HEIGHT 11" (27.9 cm)	CAPACITY 800 lbs (363 kg)*
VEHICLE CAPACITY	2-seat with bed 1,200 lbs. (544 kg)			
TOWING CAPACITY	1,500 lbs. (680 kg) Class 1 – 1.25" (2.54 – 3.18 cm) receiver standard			
OPTIONAL ACCESSORIES	Canopy, folding windshield, 4-seat configuration, flat bed, 6-foot flat bed, bench seat, storage box, hose reel mounting bracket, walk spreader carrier, trash can mount, bed racking, electric bed lift, brush guard, 12V outlet, brake/tail/signal lights, ROPS certified hard cab, horn kit, back up alarm kit, parking brake alarm kit, L-Track attachment system and all-terrain tire kit			
WARRANTY	Two-year or 1,500 hour limited warranty. Three-year engine limited warranty. Contact your local distributor for further details.			

*Assumes two 200 lb. (91kg) passengers

LEARN MORE

FIND COMPLETE SPECIFICATIONS, ADDITIONAL ATTACHMENTS AND ACCESSORIES, PRODUCT VIDEOS AND MUCH MORE AT

TORO.COM

For complete specifications, visit toro.com/WorkmanGTX. Specifications subject to change.

KEY ACCESSORIES



» FLATBED*

Available in four or six-foot lengths, flat beds allow the Workman® GTX to haul larger items or more voluminous material. Integrated stake pockets allow you to build custom sides if desired.

*Wood siding not included.



» CAB ENCLOSURE

ROPS (Roll Over Protection System) certified cab enclosure features a windshield wiper, sliding driver's door opening and optional lights and mirrors.



» CANOPY

To keep operators and passengers cool in the sun and dry in the rain, the Workman GTX has a custom canopy made of durable, high density polyethylene.



» ELECTRIC BED LIFT*

A convenient, easy way to unload the cargo bed. Raises and lowers the bed efficiently within the payload capacity.

*Wood siding not included.



Count on it.

LEARN MORE

CONTACT US AT: **800-803-8676**
OR VISIT US AT: **toro.com**

©2019 The Toro Company, Bloomington, MN 55420
All rights reserved. Printed in the USA. Rev. 11/19
Part Number 16-091-T

Products depicted in this literature are for demonstration purposes only. Actual products offered for sale may vary in use, design, required attachments and safety features. We reserve the right to improve our products and make changes in specifications, design and standard equipment without notice and without incurring obligation. See your distributor for details on all our warranties.

FOLLOW US!



facebook.com/toro
twitter.com/TheToroCompany
twitter.com/ToroGolf
youtube.com/toro
linkedin.com/company/the-toro-company

