



QuickGroom™ 550

ROTATING GROOMING BRUSH

FEATURES

- Gentle on Turf – soft bristles quickly incorporate materials while minimizing plant stress and synthetic turf wear
- Easy Set-Up and Adjustments – including brush height, brush angle, drawbar hitch height
- Simple, Ground-Driven Design – lightweight and economical to use and maintain. Only requires a 12V connection to raise or lower.
- Efficient Working Width – 55" (139.7 cm) for maneuverability, and can be easily towed by most utility vehicles
- Small Storage Footprint – included stands allow for upright storage on back edge to save space

The Quick, Easy Way to Groom.

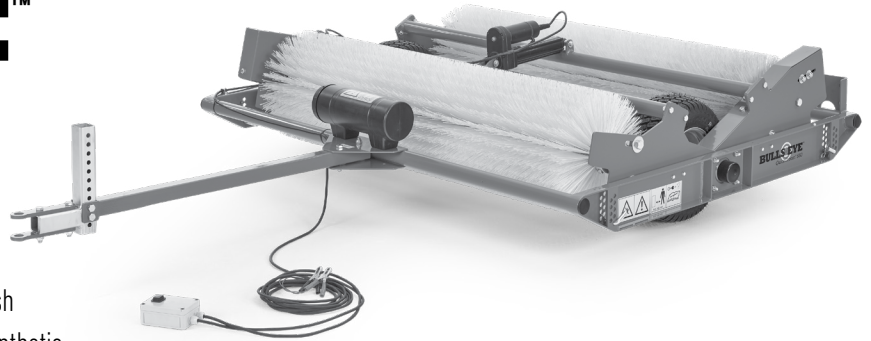
The Bullseye QuickGroom 550 is a towable grooming machine designed to work on both natural and synthetic turf. Its two round counter-rotating brushes effectively brush topdressing into aeration holes or redistribute infill on a synthetic turf field. The QuickGroom 550 will also restore fibers in synthetic fields that have become compacted over time, and is an excellent tool for standing up matted turf on a golf green to help provide a more consistent cut – resulting in a superior putting surface. This simple device can be towed by any utility vehicle, has quick and easy adjustments, and has its drive components protected inside the durable frame.





QuickGroom™ 550*

The Bullseye QuickGroom 550 is a towable grooming machine designed to work on both natural and synthetic turf. Its two round counter-rotating brushes effectively brush topdressing into aeration holes or redistribute infill on a synthetic turf field. The QuickGroom 550 will also restore fibers in synthetic fields that have become compacted over time, and is an excellent tool for standing up matted turf on a golf green to help provide a more consistent cut – resulting in a superior putting surface. This simple device can be towed by any utility vehicle, has quick and easy adjustments, and has its drive components protected inside the durable frame.



BULLSEYE QUICKGROOM 550, MODEL 46400	
WORKING WIDTH	55" (139.7 cm)
VEHICLE REQUIREMENT	10 HP (7.4 kW) with a 12-volt electrical connection
WEIGHT	400 lbs. (181.4 kg)
DIMENSIONS	Width 70" (177.8 cm) Height 20" (50.8 cm) Length 108" (274.3 cm)
WARRANTY	One-year limited warranty. Refer to the Operator's Manual for further details.

*Specifications and design subject to change without notice. Products depicted in this literature are for demonstration purposes only. Actual products offered for sale may vary in design, required attachments and safety features. Consult your local Toro Distributor.

