



Count on it.

# COMMERCIAL EQUIPMENT GUIDE

# 2025





## 1 Rotary Mowers

Groundsmaster 1200 . . . . .	1
Groundsmaster 3200 & 3300 . . . . .	3
Groundsmaster e3200 . . . . .	7
Groundsmaster 3500-D / 3505-D . . . . .	9
Groundsmaster 4000-D & 4010-D . . . . .	12
Groundsmaster 4100-D & 4110-D . . . . .	15
Groundsmaster 4300-D . . . . .	18
Groundsmaster 4500-D & 4700-D . . . . .	21
Groundsmaster 5900 & 5910 . . . . .	24
Groundsmaster 7200 & 7210 . . . . .	27
Z Master® 7500-D . . . . .	33
ProLine® H800 . . . . .	35

## 38 Greens Mowers

Greensmaster 1018/1021/1026 . . . . .	38
Greensmaster e1021/e1026 . . . . .	42
Greensmaster Flex™ 1018 & 1021 . . . . .	44
Greensmaster eFlex® 1021 . . . . .	46
TransPro® 80 & 200 . . . . .	48
Greensmaster 3150-Q . . . . .	49
Greensmaster 3250-D . . . . .	52
Greensmaster TriFlex™ & TriFlex™ Hybrid . . . . .	55
Greensmaster eTriFlex™ . . . . .	59

## 63 Fairway Mowers

Reelmaster 3100-D . . . . .	63
Reelmaster 3550-D . . . . .	66
Reelmaster 3555-D/3575-D . . . . .	69
Reelmaster 5010-H . . . . .	72
Reelmaster 5410/5510/5610 . . . . .	75
Reelmaster 7000-D . . . . .	82

## 85 Autonomous Mowers

Greensmaster® eTriFlex™ 3360 w/GeoLink® Mow	85
Turf Pro™ 500/300 & Range Pro™ 100 . . . . .	89

## 91 Shuttles, Utility Vehicles and Outcross®

Vista® Series . . . . .	91
Workman® UTX Series . . . . .	93
Workman GTX Series . . . . .	95
Workman MDX Series . . . . .	98
Workman HD Series . . . . .	101
Outcross 9060 . . . . .	106

## 109 Aeration and Application

ProCore® 648s . . . . .	109
TransPro® 648 . . . . .	111
ProCore 864 & 1298 . . . . .	112
ProCore SR Series . . . . .	114
Turf Aerators 686 & 687 . . . . .	116
Topdresser 1800 . . . . .	117
Topdresser 2500 . . . . .	118
ProPass™ 200 . . . . .	119
MH-400 . . . . .	120
Multi Pro® 1750 . . . . .	121
Multi Pro 5800 . . . . .	124
Multi Pro WM . . . . .	128

## 123 Bullseye™ Synthetic & Natural Turf Products

### Synthetic Turf

Bullseye™ FieldClean™ 580 . . . . .	129
Bullseye FieldCombo™ 770 . . . . .	130
Bullseye FieldFill™ 660 . . . . .	131
Bullseye FieldSweep™ 660 . . . . .	132
Bullseye FieldMagnet™ 600 . . . . .	133

### Synthetic & Natural Turf

Bullseye QuickGroom™ 550 . . . . .	134
Bullseye QuickGroom 700 . . . . .	135
Bullseye QuickGroom 710 . . . . .	136

### Natural Turf

Bullseye AccuraSeed™ 620 . . . . .	137
Bullseye RapidSeed™ 430/590 . . . . .	138
Bullseye RotaQuake™ 630 . . . . .	139
Bullseye NuSurface™ 470/790 . . . . .	140

## 141 Debris and Specialty Equipment

Pro Force® Debris Blower . . . . .	141
Rake-O-Vac® . . . . .	143
Versa-Vac™ . . . . .	144
Pro Sweep® . . . . .	145
Field Pro® 6040 . . . . .	146
Sand Pro® 2040Z . . . . .	148
Sand Pro 3040 & 5040 . . . . .	150
GreensPro® 1260 Greens Roller . . . . .	154
eHoverPro™ . . . . .	155
eProStripe™ 560 / ProStripe® 560 . . . . .	156
Dingo® 323 Compact Utility Loader . . . . .	157
Dingo TXL 2000 Compact Utility Loader . . . . .	159
Dingo 427 / 525 Compact Utility Loaders . . . . .	162
Dingo TX 700 Compact Utility Loader . . . . .	163
Dingo TX 1000 Compact Utility Loader . . . . .	164
Dingo TX 1300 Compact Utility Loader . . . . .	165
TRX Trenchers . . . . .	168
STX-26 & 38 / SGR Series Stump Grinders . . . . .	170
30" Stand-On Aerator . . . . .	172

## 173 Professional Services

Toro® Intelli360™ . . . . .	173
Toro® myTurf® Pro . . . . .	174
Toro® Protection Plus™ . . . . .	175
Toro® Financing . . . . .	175
Toro® Genuine Parts . . . . .	176
Toro® University . . . . .	176



## Groundsmaster® 1200

The Groundsmaster 1200 delivers an unparalleled combination of productivity, durability and superior cut. It features a 144" (365 cm) width of cut and can mow up to 8.7 acres (3.5 hectares) per hour. Remaining true to Groundsmaster's unmatched reputation of durability, the 1200 was designed for years of reliable mowing.



GROUNDMASTER 1200 - MODEL 31905*	
<b>WIDTH OF CUT</b>	Overall: 144" (365 cm), Individual deck: 54" (137 cm), Overlap: 9" (23 cm)
<b>MOWING RATE**</b>	Mows up to 8.7 acres/h (3.5 hectares/h) at consistent 6 mph (9.7 km/h)
<b>CONSTRUCTION</b>	10-gauge high strength steel constructed deck with 7-gauge bolt-in reinforcements. 7-gauge welded steel side skids with 5" (12.7 cm) diameter steel rollers.
<b>DECK DRIVE</b>	PTO drive-shaft drives 4-way gearbox, secondary drive-shafts drive individual deck gearboxes, spindles belt driven with spring tensioner pulley. Main drive-shaft fits standard 1-3/8" (3.5 cm), 6-spline tractor PTO and contains 80 deg CV joint. Deck gearbox contains over-running clutch.
<b>HEIGHT OF CUT</b>	0.5" to 4.0" (1.3 cm to 10.2 cm) infinitely variable
<b>SPINDLES</b>	1.25" (3.17 cm) diameter spindle shafts, 9" (22.9 cm) diameter conical ductile iron housing and two greaseable tapered roller bearings. Driven counter-clockwise when viewed from the top.
<b>BLADES</b>	9 blades, 19" (48.3 cm) long, 2.5" (6.4 cm) wide, 0.25" (6.4 mm) thick
<b>GROUND FOLLOWING</b>	9 anti-scalp cups, one on each blade, two anti-scalp/stripping rollers on each deck. On each deck: two 5" (12.7 cm) diameter roller
<b>WING PROTECTION</b>	Bi-directional, impact absorption damper on each wing deck
<b>OVERALL DIMENSIONS</b>	Transport Height: 75.75" (192.4 cm) Transport Length: 145.5" (369.6 cm) (Hitch fully extended) Width: (decks down): 149.8" (380.5 cm) Transport Width: 86" (218.4 cm) at 1/2" (1.27 cm) HOC
<b>POWER REQUIREMENTS</b>	Minimum 35 HP (26.1 kW) at the PTO, 540 RPM
<b>BLADE TIP SPEED</b>	15,000 ± 300 ft/min (4572 ± 91.4 m/min) at 540 PTO RPM
<b>TIRES</b>	20 X 10 - 10 6-ply K500 turf tread
<b>WEIGHTS</b>	Total weight = 2,984 lbs (1354 kg), Tongue Weight in Transport = 691 lbs (313 kg)
<b>ACCESSORIES</b>	Roller scraper kit, standard blade kit, high-lift blade kit, safety chain kit, Atomic blade kit, tow chain kit, fender kit, SMV Kit, tail light kit, blade cover kit, clevis hitch, pintle eye hitch
<b>WARRANTY</b>	Two-year limited warranty. Refer to the Operator's Manual for further details.
<b>CERTIFICATION</b>	Complies with American National Standards Institute (ANSI B71.4-2012)



\*Specifications and design subject to change without notice.

\*\*Assumes max mow speed and 100% efficiency. Actual mowing rates may vary depending on operator and conditions.







## Groundsmaster® 3200/3300

The Groundsmaster 3200/3300 delivers unparalleled productivity. Featuring a powerful 24.7 HP (18.4 kW) or 36.8 HP (27.5 kW) engine, CrossTrax® all-wheel drive and legendary Groundsmaster decks, the Groundsmaster 3200/3300 makes quick work in even the toughest terrain while delivering an exceptional quality of cut. From the fully-adjustable suspension seat and steering column, the fingertip engine controls and optional all-season cab, this new mower is designed for all-day comfort. Routine maintenance is also easy with the Groundsmaster 3200/3300. The innovative Tilt-Up Deck design making blade maintenance and deck cleaning simple. Additionally, all engine maintenance points are easily accessible to help ensure your Groundsmaster runs smoothly and reliably for years. Productivity, comfort, reliability. That's the all-new Groundsmaster 3200/3300.



# Groundsmaster® 3200/3300 Specifications

	GROUNDMASTER 3200 2WD, MODEL 31900A*	GROUNDMASTER 3200 AWD, MODEL 31901A*	GROUNDMASTER 3300 AWD, MODEL 31902A*	GROUNDMASTER 3310 AWD CAB, MODEL 31903A*
<b>ENGINE</b>	Yanmar®, 3 Cylinder, liquid cooled diesel, Power: 24.7 HP (18.4kW) @ 3000 rpm, Torque peak: 50.9 ft.-lbs. (69 Nm) @ 2100 rpm. Displacement 1267cc. High Idle: 3230 rpm (no load). Remote mounted Donaldson air cleaner. Fuel filter water separator. EPA Tier 4 / Stage V compliant		Yanmar, 3 Cylinder, liquid cooled diesel, Power: 36.8 HP (27.5kW) @ 3000 rpm, Torque peak: 80.7 ft.-lbs. (109.4 Nm) @ 1950 rpm. Displacement 1642. High Idle: 3150 rpm (no load). Remote mounted Donaldson air cleaner. Fuel filter water separator. EPA Tier 4 / Stage V compliant	
<b>RADIATOR</b>	Rear mount, cross flow, 8.5 fins per 1" (25 mm), 7 quart (6.6 liter) capacity		Rear mount, cross flow, 8.5 fins per 1" (25 mm), 8 quart (7.6 liter) capacity	
<b>FUEL CAPACITY</b>	12 gallon (45 L)			
<b>TRACTION DRIVE</b>	2WD Parallel hydraulic traction system. Parallel hydraulic flow between the front wheel motors powered by hydrostatic pump		CrossTrax® AWD. Series/Parallel hydraulic traction system w/full time 4-wheel drive.	
<b>GROUND SPEED</b>	Up to 12.5 MPH (20 km/h) Forward Up to 5.5 MPH (8.9 km/h) Reverse		Up to 15 MPH (24 km/h) Forward Up to 6 MPH (9.7 km/h) Reverse	
<b>MOW SPEED</b>	Up to 12.5 MPH (20 km/h) Forward		Up to 15 MPH (24 km/h) Forward	
<b>MOWING RATE**</b>	Mows up to 6.1 acres/h (2.4 hectares/h) with 60" deck Mows up to 7.3 acres/h (2.9 hectares/h) with 72" deck		Mows up to 7.3 acres/h (2.9 hectares/h) with 60" deck Mows up to 8.7 acres/h (3.5 hectares/h) with 72" deck	
<b>MAIN FRAME</b>	All welded tubular and formed steel			
<b>IMPLEMENT DRIVE</b>	Engine mounted 350 ft. lb. (475 Nm) rated electro-magnetic PTO clutch drives 2" (5 cm) telescoping shaft. Rotary deck connection allows for tip-up service position without disconnection of PTO. Optional Low RPM PTO engage feature.			
<b>IMPLEMENT LIFT</b>	Twin 2.5" (6.4 cm) bore, 1.25" (3.2 cm) rod hydraulic cylinders operate lift arms. Hydraulic counterbalance for optimum traction and stability.			
<b>TIRES</b>	Front: 23 x 10.5 - 12 4-ply, Rear: 16 x 6.5 - 8, 4-ply	Front: 23 x 10.5 - 12 4-ply, Rear: 18 x 9.5 - 8, 4-ply	Front: 24 x 12 - 12, 4-ply, Rear: 18 x 9.5 - 8, 4-ply	
<b>BRAKES</b>	Dynamic braking through hydrostat and foot pedal. Parking Brake: Hand-actuated drum type on front left and right traction wheels			
<b>SEAT</b>	Deluxe Bolstered Seat (model 31980), Mechanical Suspension Seat (Model 31981), Air Ride Suspension Seat (Model 31982)			
<b>STEERING</b>	Hydraulic Power Steering. Tilt steering wheel released and locked by a foot actuated lever			
<b>OPERATOR AREA</b>	Operator step, beverage holder, control arm, and retractable seat belt are standard			
<b>INSTRUMENTATION</b>	InfoCenter™: Onboard LCD display shows gauges, alerts/faults, service reminders, electrical system diagnostics. Indicates coolant temps, oil pressure, alternator voltage, engine hours, (36.8 HP models, engine RPM).			
<b>CONTROLS</b>	Foot-operated pedal for forward and reverse. Manually adjustable forward speed limiter. Control arm includes hand-operated throttle, PTO switch, deck/implement lift lower switch, ignition switch, (24.7 HP models, glow plug switch)			
<b>ELECTRICAL</b>	12V maintenance-free battery with 540 cold cranking amps at 0 degrees F (-18 degrees C). 80 minute reserve capacity at 80 degrees F (27 degrees C). 40-amp alternator on 24.7 HP models, 55-amp alternator on 37.4 HP models. Seat, PTO, lift/lower, traction and parking brake interlock switches. Easy access to fuse panel.			
<b>GROUND CLEARANCE</b>	7.8" (19.8 cm) traction unit only		8.3" (21 cm) traction unit only	
<b>LENGTH</b>	107" (271.7 cm)			
<b>WIDTH</b>	52" (132 cm)		53.5" (135.9 cm)	
<b>HEIGHT</b>	79" (200.6 cm) with ROPS up			89" (226 cm)
<b>WHEELBASE</b>	52" (132 cm)			
<b>WEIGHT</b>	1,751 lbs. (794 kg)		1,886 lbs. (855 kg)	
<b>SAFETY CAB</b>	Optional ROPS certified cab with heat only. Tempered curved windshield, tinted side and rear glass (50% tint); front wiper/washer; interior mirror and exterior side mirrors; SMV sign; road light kit and work light kit sold separately. All glass windows meets ANSI Z-26.1999 and ECE R43		Factory installed, ROPS certified cab with AC and heat. Tempered curved windshield, tinted side and rear glass (50% tint); front wiper/washer; interior mirror and exterior side mirrors; SMV sign; road light kit and work light kit sold separately. All glass windows meets ANSI Z-26.1999 and ECE R43	
<b>WARRANTY</b>	Two-year limited warranty. Refer to operators manual for further information.			
<b>ACCESSORIES</b>	LED work light kit, LED road light kit, LED beacon kit, recycler kits, slope sensor kit, heat only cab, accessory control kit, storage box kit, USB charging kit, auxiliary hydraulic kit, hydraulic hose kit, SMV kit, storage bag kit, power harness kit			

\*Specifications and design subject to change without notice.

\*\*Assumes max mow speed and 100% efficiency. Actual mowing rates may vary depending on operator and conditions.







# Groundsmaster® 3200/3300 Specifications continued\*

CUTTING DECK CONFIGURATIONS	CUTTING DECKS (SOLD SEPARATELY)			
	60" (152 CM) SIDE DISCHARGE DECK, MODEL 31970	72" (183 CM) SIDE DISCHARGE DECK, MODEL 31972	60" (152 CM) REAR DISCHARGE DECK, MODEL 31971	72" (183 CM) REAR DISCHARGE DECK, MODEL 31973
<b>CONSTRUCTION</b>	7-gauge (4.5 mm) high-strength steel top shell, 5.5" (14 cm) deep; welded deck with grass discharged on the right side. A 5/16" (8 mm) thick rubber discharge chute. Adjustable baffle to control throw distance of clippings.		7-gauge (4.5 mm) high-strength steel top shell, 5.5" (14 cm) deep; welded deck with a rear rubber flap to direct clippings down through the rear of the machine	
<b>SERVICE POSITION</b>	Cutting deck can tip up to the service position from the transport position to conduct routine maintenance quickly. Driveshaft stays connected during tip up.			
<b>HEIGHT OF CUT</b>	1"-6" (25 - 152 mm) adjustable in 0.5" (12.7 mm) increments.			
<b>SPINDLE ASSEMBLY</b>	Ductile cast iron 9" (23 cm) diameter conical spindle housing; Dual greaseable tapered roller bearings; Spindle shaft is 1.25" (3.2 cm) diameter steel, splined connection between spindle shaft and pulley; Welded blade retainer plus anti-scalp cups.			
<b>CUTTER DRIVE</b>	Solid mounted, splined PTO-driven gearbox transfers power to three separate spindles via one "B" section belt.			
<b>BLADES</b>	Three 0.25" (6 mm) thick, 2.5" (63 mm) wide, heat-treated steel blades.			
<b>BLADE TIP SPEED</b>	17,440 FPM (37hp T4 Engine) 18,600 FPM (24hp Engine)	17,470 FPM (37hp T4 Engine) 18,630 FPM (24hp Engine)	16,100 FPM (37hp T4 Engine) 17,175 FPM (24hp Engine)	15,940 FPM (37hp T4 Engine) 17,005 FPM (24hp Engine)
<b>DECK SUSPENSION</b>	Front: fixed, independent high-strength 2" x 0.1875" (5.08 x .47 cm) wall castor arm tubes support welded heavy-duty reinforced 0.375" (9.5 mm) high strength castor forks with 1.38" (3.5 cm) shafts. Semi-pneumatic (flat-free) 8.2" x 3.1" (20.8 x 7.8 cm) castor wheel with sealed ball bearings. Rear: vertical chain with 0.5" (1.27 cm) diameter pins.			
<b>BELT IDLER</b>	Greaseable, spring-loaded (torsion) idler			
<b>DECK SKID</b>	Replaceable, bolt-on, non-marking UHMW skid on both sides for rear discharge decks and on left side only for side discharge decks. Interchangeable left to right.			
<b>ANTI SCALP</b>	Anti-scalp cup located on each blade spindle. Additional anti-scalp gauge wheels.			
<b>DECK COVERS</b>	Quick-release type latches, no tools required. Thermoplastic polyolefin reduces weight and noise.			
<b>LIFT ARMS</b>	Independent lift arms from traction unit with counterbalance pressure set for optimum QOC and weight transfer.			
<b>SHIPPING WEIGHT</b>	450 lbs. (204 kg)	510 lbs. (231 kg)	460 lbs. (208 kg)	512 lbs. (232 kg)
<b>OPTIONAL ACCESSORIES</b>	Recycler kits, blade options (low sail, medium sail, high sail, atomic), blowout baffle		Recycler kits, blade options (low sail, medium sail, high sail, atomic)	

\*Specifications and design subject to change without notice. Products depicted in this literature are for demonstration purposes only. Actual products offered for sale may vary in use, design, required attachments and safety features. See distributor for details on all warranties.

\*\*Assumes max mow speed and 100% efficiency. Actual mowing rates may vary depending on operator and conditions.





**CAB**

Optional Accessories: LED Cab Light Kit, Cab Beacon Light Kit. GM3310 comes standard with a cab equipped with air conditioning and heat



**SNOWTHROWER (ERSKINE)**

This is the perfect blizzard battler, with 53" (134 cm) clearing width. 270 degree hydraulically adjustable discharge chute rotation. Mechanically-driven snow thrower.



**ROTARY BROOM (M-B)**

The 60" (152 cm) wide mechanically-driven rotary broom cleans and clears snow, dirt, debris and grass during any season. Hydraulic swing capable of 20° left or right of center. Choice of poly or combination poly/wire brooms.



**BOSS® STRAIGHT-BLADE PLOW**

BOSS snowplows are engineered to perform in the worst winter conditions. 60" (152 cm) clearing width. Fully hydraulic lift and angle adjustment to deliver maximum efficiency.



**F60 FLAIL CUTTING DECK**

<b>TYPE</b>	Out-front PTO-driven flail attachment
<b>FRAME CONSTRUCTION</b>	Welded, high strength, low weight steel frame body and 6mm end-plates.
<b>FLAIL ROTOR CONSTRUCTION</b>	4" (100mm) Diameter, dynamically-balanced flail rotor. Greaseable self-aligning roller bearings mounted in rigid mounted bearing housings. Rotor can be removed from frame without prior removal of bearings and bearing housings.
<b>FLAIL TIP SPEED</b>	152.4ft/sec (46.5m/s) tip speed at 2,900rpm
<b>DRIVE SYSTEM</b>	PTO drive from power unit through 90-degree gearbox. Final drive through twin banded XPZ belt to rotor.
<b>BLADE TYPE</b>	32x TEMPEST™ paddle-style flail blades
<b>ROLLER</b>	4" (100mm) Rear Roller for superb contour following and striped finish
<b>LIFT ARMS</b>	Dedicated lift arms are supplied as standard with the F60 to ensure close and accurate mating to the power unit, improving manoeuvrability and machine control
<b>CASTOR WHEELS</b>	8 x 3.50-4 4-Ply , pneumatic, sealed precision ball bearings
<b>HEIGHT OF CUT</b>	0.75"- 3" (20-75 mm), in 0.5" (13 mm) increments
<b>WIDTH OF CUT</b>	60" (152.4 cm)
<b>MOWING RATE**</b>	Up to 6.1 acres/h (2.4 hectares/h)
<b>WEIGHT</b>	564 lbs. (256 kg)
<b>OVERALL DIMENSIONS</b>	Width 67.9" (172.5 cm), Height 18.5" (47 cm), Length (w/o Lift Arms) 45.5" (115.5 cm), Length (w/ Lift Arms) 61.4" (156 cm)
<b>OPTIONAL ACCESSORIES</b>	Back-to-back 'Y' flail blades for rough mowing conditions, mulching (shredder) bar, fine cut baffle kit
<b>WARRANTY</b>	2 Years

**SUNSHADE**

**UNIVERSAL MOUNT SUNSHADE** White, Model 30669 / Red, Model 30671



**PRO FORCE® DEBRIS BLOWER**

Driven from PTO shaft off engine. Nozzle Rotation – 245°. Great visibility – out front of machine

\*Specifications and design subject to change without notice. Products depicted in this literature are for demonstration purposes only. Actual products offered for sale may vary in use, design, required attachments and safety features. See distributor for details on all warranties.

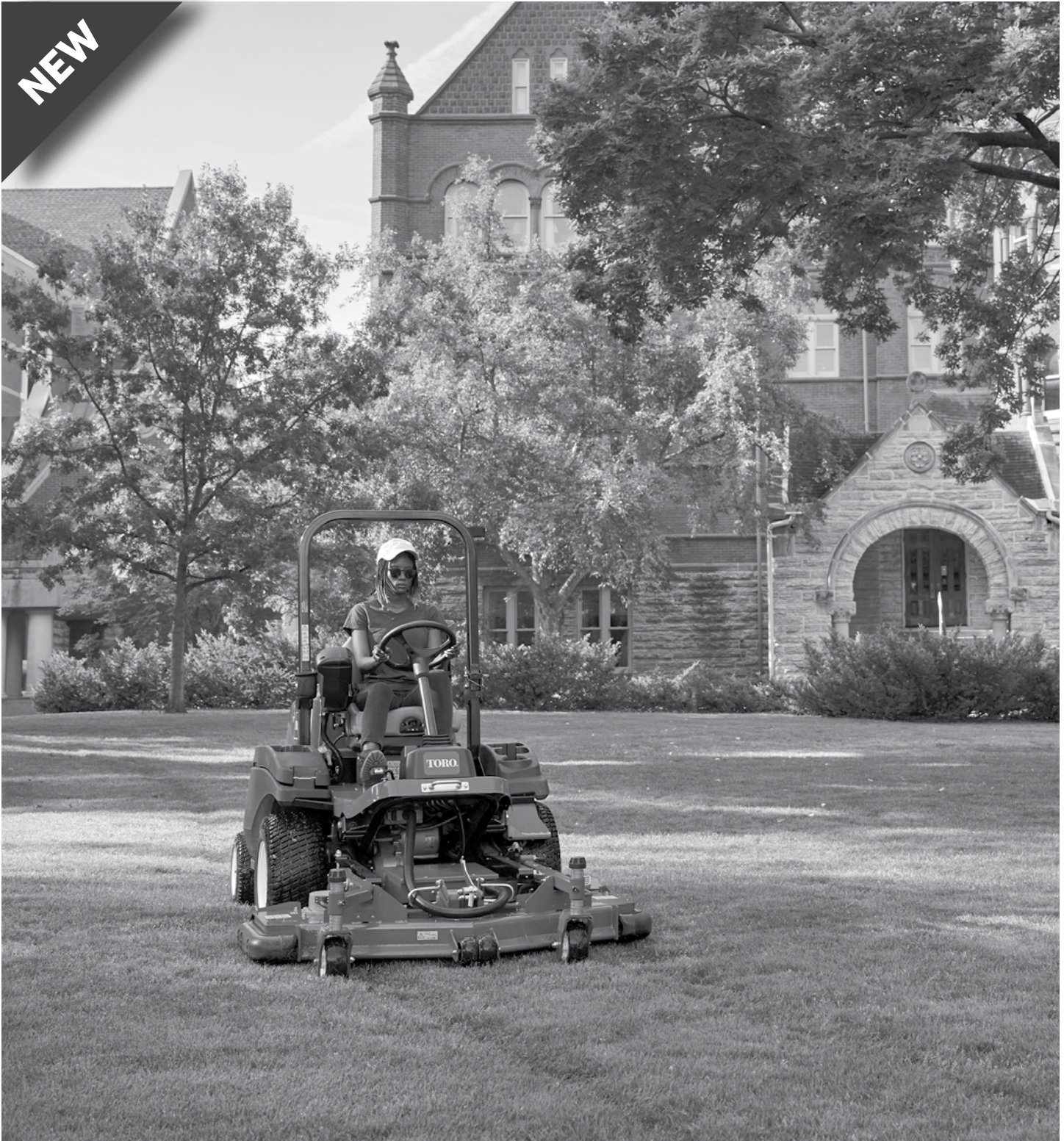




**TORO**

## Groundsmaster® e3200

The all-new Groundsmaster e3200 can be configured with up to 17 HyperCell® batteries for all-day runtime in demanding conditions. Smart Power® mode optimizes power consumption by continuously and efficiently providing ample cutting power without bogging down. Battery reserve setting ensures plenty of power to return to the recharging station. The on-board 3.3kW charger replenishes the batteries overnight ready to tackle another day.\*



\*Specifications and design subject to change without notice.



GROUNDMASTER e3200 2WD, MODEL 31800*	
<b>POWER SOURCE</b>	11 HyperCell™ lithium-ion batteries standard, configurable with up to 17 for all-day runtime
<b>HYPERCELL® LITHIUM-ION</b>	Patent pending, third-party tested and accredited, lithium-ion at 2.2 kWh each with integrated and distributed Battery Management System (BMS), 60-volt design, IP67 rated, de-energized default state, flame retardant, chemical and UV resistant, recyclable
<b>RUNTIME**</b>	Up to all-day runtime with optional HyperCell energy expansion packs
<b>CHARGER</b>	On-board 100-240V, 12-16A, 3.3 kW charger
<b>NOISE</b>	Significantly quieter operation for noise-sensitive applications and during early morning/late evening mowing
<b>MAIN FRAME CHASSIS</b>	All welded tubular and formed steel
<b>TRACTION DRIVE</b>	Electric 2-wheel traction drive transaxle
<b>BRAKES</b>	Dynamic braking with power regeneration, integrated automatic parking brake, emergency brake switch
<b>ELECTRICAL SYSTEM</b>	60 volt power for all systems, 12 volt for USB power plug and accessories
<b>HYDRAULIC SYSTEM</b>	Electric powered hydraulic cylinders control mowing deck lift/lower, weight transfer, and power steering functions
<b>HYDRAULIC FLUID</b>	Toro PX Extended Life Hydraulic Fluid, 4.7 gal (17.8 L)
<b>INTERLOCKS</b>	Operator presence switch, deck limit sensor, parking brake, emergency brake, traction neutral
<b>MAX SLOPE ANGLE</b>	Refer to Operator's Manual
<b>STARTING</b>	Key on/off
<b>GROUND SPEED</b>	Up to 12.4 mph (20 km/h) forward, up to 6 mph (10 km/h) reverse, customizable setting
<b>MOW SPEED</b>	Up to 12.4 mph (20 km/h), customizable setting
<b>MOWING DECK</b>	60" (152 cm) side and rear discharge options
<b>MOWING PRODUCTIVITY</b>	Up to 7.6 acres/h (3.1 hectares/h) with 60" (152 cm) deck and max speed
<b>DECK CONSTRUCTION</b>	High-strength 7-gage steel with impact bumper, and side skids. Anti-scalp gauge wheels
<b>HEIGHT OF CUT</b>	1" to 6" (25-152 mm) adjustable in 0.5" (12.7 mm) increments
<b>SPINDLE ASSEMBLY</b>	Highly efficient internal permanent magnet (IPM) electric motors driving hardened steel blades
<b>INSTRUMENTATION</b>	TDM display with alerts, hours and settings. Multiple languages.
<b>OPERATIONAL MODES</b>	Smart Power, Turnaround, Reserve Power Capacity, Weight Transfer Traction
<b>CUSTOMIZABLE SETTINGS</b>	Blade speed, transport speed, mowing speed, battery reserve capacity, weight transfer
<b>CONTROLS</b>	Key on/off, traction pedal, deck lift/lower, PTO, cruise control, emergency brake
<b>STEERING</b>	Power steering, tilt function
<b>SEAT OPTIONS</b>	Standard (no suspension), mechanical suspension, or air-ride suspension
<b>ARMRESTS</b>	Standard
<b>CUP HOLDER</b>	Standard
<b>STORAGE</b>	Ample storage in right hand fender pod
<b>DIMENSIONS</b>	Length 107" (272 cm), width 52" (132 cm), 79" (200 cm) with ROPS up
<b>GROUND CLEARANCE</b>	8" (20 cm) traction unit only
<b>WHEELBASE</b>	52" (132 cm)
<b>MACHINE WEIGHT</b>	1731 lbs. (785 kg) with standard 11 HyperCell batteries and charger
<b>MOWING DECK WEIGHTS</b>	Rear Discharge Deck 440 lbs. (200 kg), Side Discharge Deck 419 lbs. (190 kg)
<b>TIRES – FRONT</b>	23x10.5-12, 4-ply Turf Tire
<b>TIRES – REAR</b>	16x6.5-8, 4-ply Turf Tire
<b>OPTIONAL ACCESSORIES</b>	HyperCell Energy Expansion Kits, Recycler Kit, blade options, LED Work Light Kit, Road Light Kit, Sunshade Canopy, LED Beacon Kit for Sunshade
<b>WARRANTY</b>	Traction unit and deck are warranted to be free from defects in materials and workmanship for two-years or 1500 hours, HyperCell batteries four-years or 1.5 megawatt hours (MWh) of use, whichever comes first. Reference Toro's Limited Warranty statements for additional details.

\*Specifications and design subject to change without notice.

\*\*Runtime will vary based on a variety of factors including: undulating terrain, turf conditions (i.e., grass type, density, height of cut, moisture), operation, battery condition, blade choice, deck rake, and more.







# Groundsmaster® 3500-D / 3505-D

A breakthrough rotary mower that delivers a superior quality of cut for trimming golf courses and striping sports fields.





# Groundsmaster® 3500-D Specifications

GROUNDMASTER 3500-D, MODEL 30807*									
<b>ENGINE</b>	Kubota® 3-cylinder, liquid-cooled diesel. Power: 24.8 hp (18.5 kW) gross, at rated speed of 3000 rpm. Torque peak: 52.7 ft-lb (71.5 N-m) @ 2200 rpm. Displacement: 1123cc. Remote-mounted 5" Donaldson™ air cleaner. Fuel filter/water separator. Oil capacity 4 quarts (3.8 liters) with standard oil filter. Rear-mounted, cross flow 4-row radiator. EPA Tier IV Final and Stage V compliant.								
<b>FUEL CAPACITY</b>	11 gallons (42 liters). Biodiesel-Ready for use up to B-20 (20% biodiesel and 80% petroleum blend).								
<b>CONFIGURATION</b>	Rear mounted engine, front operator position. Two post ROPS, seat belt and slope indicator standard. Sidewinder® cutting unit system.								
<b>TRACTION DRIVE</b>	3-wheel drive in mow and transport. Series/Parallel™ hydrostatic, closed-loop transmission provides infinitely variable ground speed in forward and reverse. Variable displacement piston type pump.								
<b>GROUND SPEED/CLEARANCE</b>	Mow: 0-6 mph (0-10 km/h), mow speed is factory preset at 6 mph but is adjustable; Transport: 0-9 mph (0-14 km/h); Reverse: 0-4 mph (0-6 km/h). Ground Clearance: 6" (15.3 cm).								
<b>CONTROLS</b>	Forward and reverse traction control pedals; mow/transport foot lever; hand activated parking brake; hand operated ignition key switch; tilt steering wheel lock; PTO switch; throttle; joystick control for deck raise and lower; cutting deck transport lock.								
<b>GAUGES &amp; DIAGNOSTICS</b>	Fuel gauge and hour meter, light cluster with glow plug and charge indicator lights, low engine oil pressure and high coolant temperature warning lights (high temperature safety shut off).								
<b>ELECTRICAL &amp; INTERLOCKS</b>	Traction pedal, operator presence in seat, PTO engage or disengage, and cutting deck mow or transport safety interlock switches. Parking brake set prohibits movement through traction pedal. 40 amp alternator and 12-volt, 585 CCA battery.								
<b>HYDRAULICS</b>	Open center, manual valves, gear pump hydraulic system. System capacity approximately 3.5 gallon (13.2 liter) reservoir.								
<b>STEERING</b>	Hydraulic power steering, tilt wheel.								
<b>TIRES/WHEELS</b>	20 x 10-10, 4-ply rating, Turf Tread rear tire. 20 x 12-10, 4-ply rating, Turf Tread Fronts.								
<b>BRAKES</b>	Dynamic through hydrostatic transmission service brake. Hand actuated over center, drum type parking brake.								
<b>OVERALL DIMENSIONS</b>	<table border="1"> <thead> <tr> <th>Height</th> <th>Length</th> <th>Width</th> <th>Wheelbase</th> </tr> </thead> <tbody> <tr> <td>76" (193 cm) with ROPS</td> <td>116" (295 cm)</td> <td>71.8" (182cm) with standard 68" (173cm) width of cut; 75.8" (193cm) with optional 72" (183cm) width of cut</td> <td>59.5" (151 cm)</td> </tr> </tbody> </table>	Height	Length	Width	Wheelbase	76" (193 cm) with ROPS	116" (295 cm)	71.8" (182cm) with standard 68" (173cm) width of cut; 75.8" (193cm) with optional 72" (183cm) width of cut	59.5" (151 cm)
Height	Length	Width	Wheelbase						
76" (193 cm) with ROPS	116" (295 cm)	71.8" (182cm) with standard 68" (173cm) width of cut; 75.8" (193cm) with optional 72" (183cm) width of cut	59.5" (151 cm)						
<b>WEIGHT</b>	2,110 lbs. (957 kg) with cutting units.								
<b>WARRANTY</b>	Two-year limited warranty. Refer to operator's manual for further details.								
<b>CERTIFICATION</b>	Complies with ANSI B71.4-2017 and EN5395.								
CUTTING DECKS									
<b>TYPE</b>	3 Contour™ Plus 27" (69 cm) rear-discharge rotary with standard full-length striping rear rollers on each deck. Sidewinder® system allows all three decks to slide right and left 12" (30 cm) of center, 24" (61 cm) total travel. Mulching kit optional.								
<b>WIDTH OF CUT</b>	68" (173 cm), standard and 72" (183 cm) optional. Deck overhang for trimming is 12" (30.5 cm) at 68" (173 cm) width of cut and 14" (35 cm) at 72" (183 cm). Overlap: 4.5" (11.4 cm) at standard width of cut.								
<b>HEIGHT OF CUT</b>	0.75"-4" (1.9-10.2 cm) in 0.25" (.6 cm) increments. 3-position 0.030" (0.08 cm) incremental calibration								
<b>MOWING RATE**</b>	At 68" (173 cm) width of cut, 4.1 acres/hr (1.7 hectares/hr)								
<b>CONSTRUCTION</b>	10-gauge steel constructed chambers with 12-gauge welded reinforcements. Heavy-duty exoskeleton deck carrier frame, 1.5" (3.8 cm) square x .25" (.6 cm) wall tube with 7-gauge side supports protects deck shell from impact damage. Spindle support 3/16" (.48 cm) high-strength steel and 10-gauge exterior channels.								
<b>SPINDLE ASSEMBLY</b>	Ductile cast iron spindle housing. Dual greaseable tapered roller bearings. 1.25" (3.2 cm) diameter solid cold finished steel spindle shaft. Splined connection between spindle shaft and deck motor. Welded blade retainer plus anti-scalp cups								
<b>GROUND FOLLOWING</b>	6" (15 cm) anti-scalp cups on each blade.								

TRACTION UNIT ACCESSORIES	
31696	Work Light Kit
30669	Universal Sunshade - White
30671	Universal Sunshade - Red
30358	Bimini Canvas Sunshade
03614	Golf Ball Operator Guard

CUTTING DECK ACCESSORIES	
104-5183	High Lift Blade
105-9810-03	Angle Sail Blade
107-0235-03	Atomic Blade
108-9026	Combo Blade
30836	Leaf Mulching Kit
137-6145	Sectional Rear Roller 27" (68.5 cm)
104-5168	Roller Scraper Kit

\*Specifications and design subject to change without notice. Products depicted in this literature are for demonstration purposes only. Actual products offered for sale may vary in use, design, required attachments and safety features. See distributor for details on all warranties.  
 \*\*Assumes max mow speed and 100% efficiency. Actual mowing rates may vary depending on operator and conditions.





# Groundsmaster® 3505-D Specifications

GROUNDMASTER 3505-D, MODEL 30849*									
<b>ENGINE</b>	Kubota® 3-cylinder, liquid-cooled diesel. Power: 24.8 hp (18.5 kW) gross, at rated speed of 3000 rpm. Torque peak: 71.5 (52.7) Nm (lbs-ft) @ 2200 rpm. Displacement: 1123cc. Remote-mounted 5" Donaldson® air cleaner. Fuel filter/water separator. Oil capacity 4 quarts (3.8 liters) with standard oil filter. Rear-mounted, cross flow 4-row radiator. EPA Tier IV Final and Stage V Compliant.								
<b>FUEL CAPACITY</b>	11 gallons (42 liters). Biodiesel-Ready for use up to B-20 (20% biodiesel and 80% petroleum blend).								
<b>CONFIGURATION</b>	Rear mounted engine, front operator position. Two post ROPS, seat belt.								
<b>TRACTION DRIVE</b>	2WD hydrostatic, closed-loop transmission provides infinitely variable ground speed in forward and reverse. Variable displacement piston type pump.								
<b>GROUND SPEED/CLEARANCE</b>	Mow: 0-6 mph (0-10 km/h), mow speed is factory preset at 6 mph but is adjustable; Transport: 0-9 mph (0-14 km/h); Reverse: 0-4 mph (0-6 km/h). Ground Clearance: 6" (15.3 cm).								
<b>CONTROLS</b>	Forward and reverse traction control pedals; mow/transport foot lever; hand activated parking brake; hand operated ignition key switch; tilt steering wheel lock; PTO switch; throttle; joystick control for deck raise and lower; cutting deck transport lock.								
<b>GAUGES &amp; DIAGNOSTICS</b>	Fuel gauge, engine coolant temperature gauge, and hour meter. Light cluster with glow plug and charge indicator lights, amp, low engine oil pressure and high coolant temperature warning lights (high temperature safety shut off).								
<b>ELECTRICAL &amp; INTERLOCKS</b>	Traction pedal, operator presence in seat, PTO engage or disengage, and cutting deck mow or transport safety interlock switches. Parking break set prohibits movement through traction pedal. 40 amp alternator and 12-volt, 585 CCA battery.								
<b>HYDRAULICS</b>	Open center, manual valves, gear pump hydraulic system. System capacity approximately 3.5 gallon (13.2 liter) reservoir.								
<b>STEERING</b>	Hydraulic power steering, tilt wheel.								
<b>TIRES/WHEELS</b>	20 x 10-10, 4-ply rating, Turf Tread tires.								
<b>BRAKES</b>	Dynamic through hydrostatic transmission service brake. Hand actuated over center, drum type parking brake.								
<b>OVERALL DIMENSIONS</b>	<table border="1"> <thead> <tr> <th>Height</th> <th>Length</th> <th>Width</th> <th>Wheelbase</th> </tr> </thead> <tbody> <tr> <td>76.1" (193 cm) w/ROPS</td> <td>116" (295 cm)</td> <td>75.8" (193cm) with standard 72" (183cm) width of cut; 71.8" (182cm) with optional 68" (173cm) width of cut</td> <td>59.5" (151 cm)</td> </tr> </tbody> </table>	Height	Length	Width	Wheelbase	76.1" (193 cm) w/ROPS	116" (295 cm)	75.8" (193cm) with standard 72" (183cm) width of cut; 71.8" (182cm) with optional 68" (173cm) width of cut	59.5" (151 cm)
Height	Length	Width	Wheelbase						
76.1" (193 cm) w/ROPS	116" (295 cm)	75.8" (193cm) with standard 72" (183cm) width of cut; 71.8" (182cm) with optional 68" (173cm) width of cut	59.5" (151 cm)						
<b>WEIGHT</b>	2,110 lbs. (957 kg) with cutting units.								
<b>WARRANTY</b>	Two-year limited warranty. Refer to operator's manual for further details.								
<b>CERTIFICATION</b>	Complies with ANSI B71.4-2017 and EN5395.								
CUTTING DECKS									
<b>TYPE</b>	3 Contour™ Plus 27" (69 cm) rear-discharge rotary with rear roller on each deck. Mulching kit optional.								
<b>WIDTH OF CUT</b>	72" (183 cm), standard. Deck overlap 4.5" (11.4 cm) per side, overhang is 2" (5.1 cm).								
<b>HEIGHT OF CUT</b>	.75-4" (1.9-10.2 cm) in .25" (.6 cm) increments.								
<b>MOWING RATE**</b>	At 72" width of cut, 4.4 acres/hr (1.8 hectares/hr).								
<b>CONSTRUCTION</b>	10-gauge steel constructed chambers with 12-gauge welded reinforcements. 1.5" (3.8 cm) square x .25" (.6 cm) wall tube with 7-gauge side supports. Spindle support 3/16" (.48 cm) high-strength steel and 10-gauge exterior channels.								
<b>SPINDLE ASSEMBLY</b>	Ductile cast iron spindle housing. Dual greaseable tapered roller bearings. 1.25" (3.2 cm) diameter solid cold finished steel spindle shaft. Splined connection between spindle shaft and deck motor. Welded blade retainer plus anti-scalp cups								
<b>GROUND FOLLOWING</b>	6" (15 cm) anti-scalp cups on each blade. On each deck: two 5" (12.7 cm) diameter front rollers, one 3" (7.6 cm) diameter rear roller.								

TRACTION UNIT ACCESSORIES	
03229	3-Wheel Drive Kit
31692	Work Light Kit
30669	Universal Sunshade - White
30671	Universal Sunshade - Red
30358	Bimini Canvas Sunshade

CUTTING DECK ACCESSORIES	
104-5183	High Lift Blade
105-9810-03	Angle Sail Blade
107-0235-03	Atomic Blade
108-9026	Combo Blade
30836	Leaf Mulching Kit
104-5168	Roller Scraper Kit

\*Specifications and design subject to change without notice. Products depicted in this literature are for demonstration purposes only.  
 Actual products offered for sale may vary in use, design, required attachments and safety features. See distributor for details on all warranties.  
 \*\*Assumes max mow speed and 100% efficiency. Actual mowing rates may vary depending on operator and conditions.







## Groundsmaster® 4000-D & 4010-D

The most powerful rotary mower in its class, this 11' performer delivers unsurpassed productivity and quality of cut.



Groundsmaster® 4000-D  
Model 30609



Groundsmaster® 4010-D  
Model 30636



# Groundsmaster® 4000-D/4010-D Specifications

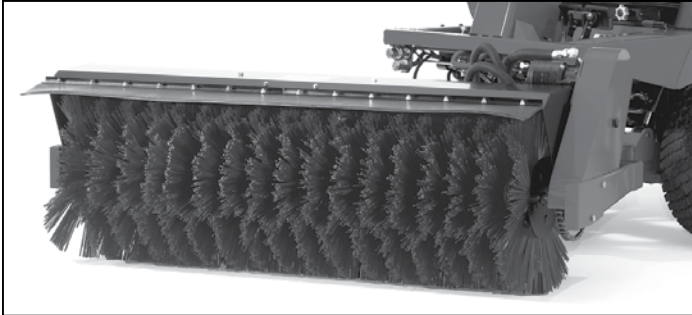
	GROUNDMASTER 4000-D, MODEL 30609*	GROUNDMASTER 4010-D, MODEL 30636*															
<b>ENGINE</b>	Yanmar® 4-cylinder, liquid-cooled, turbo-charged diesel. 127 cu. in. (2.1 liter) displacement. Engine rated at 55 hp (41 kW) net and 125 ft.-lbs. (169 Nm) torque at 2,000 rpm. 8 quart (7.6 liter) oil capacity. EPA Tier IV Final and Stage V Compliant.																
<b>AIR CLEANER</b>	Dry, replaceable primary and safety elements.																
<b>RADIATOR</b>	Rear-mount, cross-flow, 6.3 fins per inch, 9 quart (8.5 liter) capacity.																
<b>FUEL CAPACITY</b>	21 gallons (79.5 liters) diesel fuel. Biodiesel-Ready for use up to B-20 (20% biodiesel and 80% petroleum blend)																
<b>TRACTION DRIVE</b>	Parallel hydrostatic, closed loop system with full-time 4WD. Forward/reverse in low (mow) and high (transport) range with full-time, automatic traction assist (forward only) standard on Groundsmaster 4000-D models. Variable displacement piston pump with electronic servo control powers dual speed displacement piston motor drive into double reduction planetary in front, and mechanical axle in rear. Smart Power™ feature controls traction speed to maintain optimal cutting blade speed.																
<b>HYDRAULICS/COOLING</b>	8.75 gallon (33.1 liter) capacity with 10 micron remote spin-on filter. Single pass cooler, 6.3 fins per inch, SmartCool® variable speed radiator cooling fan with automatic (based on coolant and oil temps) and manual reversing capabilities.																
<b>DIAGNOSTICS</b>	Diagnostic pressure test ports: forward and reverse traction, left, center and right decks, reverse 4WD, lift, steering, charge and deck counterbalance circuits.																
<b>GROUND SPEED</b>	<b>Transport:</b> 0-16.2 mph (0-26.1 km/h) forward, 0-8.1 mph (0-13 km/h) reverse. <b>Mow:</b> 0-8.3 mph (0-13.4 km/h) forward, 0-4 mph (0-6.4 km/h) reverse.																
<b>TIRES</b>	Front: 26 x 12-12, 6-ply tubeless Multi-Trac. Rear: 20 x 10-10, 6-ply tubeless Multi-Trac.																
<b>MAIN FRAME</b>	All welded formed-steel frame with integral tie-down anchors.																
<b>BRAKES</b>	Mechanically actuated, internal wet disc brakes on input to each planetary drive. Individual foot-operated steering brake control of left and right wheel. Lock pedals together and latch to engage parking brake.																
<b>SEAT</b>	4-way adjustable, right armrest travels with seat and suspension.																
<b>STEERING</b>	Power steering with dedicated power source. Steering wheel tilts to desired operator position. Uncut circle: 0" diameter.																
<b>INSTRUMENTATION</b>	<b>InfoCenter™:</b> Onboard LCD display shows gauges, alerts/faults, service reminders, electrical system diagnostics. Indicates fuel level, coolant temp, intake temperature, low oil pressure, alternator, engine hours, engine rpm, hydraulic oil temperature, voltage																
<b>CONTROLS</b>	Tilt steering, ignition switch, throttle switch, foot-operated traction pedal, lockable individual brake pedals, parking brake lock, mow/transport speed selector switch, 3 two-position switches for individual deck lift/lower, counterbalance adjustment, tow valves, cup holder, toolbox, radio holder, fan switch and 12-volt power outlet.																
<b>CRUISE CONTROL</b>	Standard																
<b>ELECTRICAL</b>	12-volt, 690 cold cranking amps battery, 80 amp alternator. Overload protection with automotive type fuses.																
<b>INTERLOCKS</b>	Prevents engine from starting unless traction pedal is in neutral and deck is disengaged. If operator leaves seat while moving or deck is engaged, traction and/or deck stops. InfoCenter alarms and gives message. Mowing only permitted in low range. Traction not allowed if parking brake engaged and pedal moved out of neutral, info center alarms and gives message. Deck transport latches.																
<b>GROUND CLEARANCE</b>	6.5" (16.5 cm)																
<b>OVERALL DIMENSIONS</b>	<table border="1"> <thead> <tr> <th>Height</th> <th>Length</th> <th>Width</th> <th>Transport Width</th> <th>Wheelbase</th> </tr> </thead> <tbody> <tr> <td>85" (216 cm) w/ ROPS up</td> <td>135" (343 cm)</td> <td>136" (346 cm)</td> <td>71" (180 cm)</td> <td>55.5" (140 cm)</td> </tr> <tr> <td>93.9" (237 cm) w/ cab</td> <td>w/ decks down</td> <td>w/ decks down</td> <td>@ 2" (5 cm) HOC</td> <td></td> </tr> </tbody> </table>	Height	Length	Width	Transport Width	Wheelbase	85" (216 cm) w/ ROPS up	135" (343 cm)	136" (346 cm)	71" (180 cm)	55.5" (140 cm)	93.9" (237 cm) w/ cab	w/ decks down	w/ decks down	@ 2" (5 cm) HOC		
Height	Length	Width	Transport Width	Wheelbase													
85" (216 cm) w/ ROPS up	135" (343 cm)	136" (346 cm)	71" (180 cm)	55.5" (140 cm)													
93.9" (237 cm) w/ cab	w/ decks down	w/ decks down	@ 2" (5 cm) HOC														
<b>WEIGHT</b>	4205 lbs. (1907 kg) w/ full fluids (GM4000).	4759 lbs. (2159 kg) w/ full fluids (GM4010).															
<b>SAFETY CAB (4010)</b>	<b>MODEL 30636:</b> ROPS certified cab with heat, AC and the following standard features: climate system pressurized cab, heavy-duty pantograph front windshield wiper and washer, front windshield has 38" of visibility, interior mirror, fold away exterior side mirrors, molded front fenders, right and left doors and rear window have tinted (50%) glass, front and rear windows open, quick release window latches act as emergency exit, rubber sound isolator cab mounts and upholstered interior panels and headliner, textured neoprene floor mat, interior dome light.																
<b>SAFETY</b>	Complies with American National Standards Institute (ANSI B71.4-2012) and applicable ISO EN 5395 (CE) (machine directive 89/392, 91/368, 93/44, 84/538, 89/336) requirements; Optional lights. Meets ANSI/ASAE 5279.12 (Lighting and Marking of Agricultural Equipment on Highways). Foldable ROPS, ISO 21299 certified.																
<b>SOUND PRESSURE OPERATOR EAR**</b>	<80 dB when GM4010-D models (30636 & 30635) have "Quiet Mode" activated by Toro Distributor.																
<b>WARRANTY</b>	Two-year limited warranty. Refer to operator's manual for further details.																
<b>ACCESSORIES</b>	Work light, LED road lights consisting of dual taillights, dual headlights, slow moving vehicle sign, turn signal, flasher and lights, sunshade, beacon, slope sensor																
<b>CUTTING DECKS*</b>																	
<b>WIDTH OF CUT</b>	Overall: 132" (335 cm), Front: 62" (157.5 cm), Wings: 42" (106.7 cm), Overlap: 7" (17.8 cm).																
<b>MOWING RATE**</b>	Mows up to 11.1 acres/h (4.5 hectares/h) at 8.3 mph (13.4 km/h) **Assumes max mow speed and 100% efficiency. Actual mowing rates may vary depending on operator and conditions.																
<b>CONSTRUCTION</b>	Welded .100" (25 mm) steel with 7 and 10-gauge steel channel and plate reinforcements, bullnose bumpers.																
<b>DECK DRIVE</b>	Direct mounted hydraulic motor into spindle. Remaining spindle(s) driven by individual B section Kevlar belt. Quick release belt covers.																
<b>HEIGHT-OF-CUT</b>	1"-5" (25-127 mm) in 0.5" (13 mm) increments.																
<b>SPINDLES</b>	1.25" (3.17 cm) diameter spindle shafts, 9" (22.9 cm) diameter conical ductile iron housing, and 2 greaseable tapered roller bearings.																
<b>BLADES</b>	21.75" (55.2 cm) long, 2.5" (6.4 cm) wide, .25" (.64 cm) thick.																
<b>CASTER WHEELS</b>	8 x 3.50-4, 4-ply, smooth, pneumatic, sealed precision ball bearings.																
<b>GROUND FOLLOWING</b>	6" anti-scalp cups on each blade, adjustable skids on each deck, 4 anti-scalp rollers on front deck and 1 on each wing.																
<b>WING PROTECTION</b>	Bi-directional, impact absorption device on each wing deck.																
<b>RECYCLER KIT</b>	Model 30420 will convert decks into Guardian® Recycler® decks.																
<b>MULCHING KIT</b>	Model 30422.																
<b>SKIDS</b>	Reversible polymeric.																

\*Specifications and design subject to change without notice. Products depicted in this literature are for demonstration purposes only. Actual products offered for sale may vary in use, design, required attachments and safety features. See distributor for details on all warranties. \*\*Per EN ISO 5395: 2013.





# Groundsmaster® 4000-D Attachment Specifications\*



ROTARY BROOM, MB MODEL HCT	
<b>TYPE</b>	Windrow type, front mounted hydraulic broom with dual motors. Electric/hydraulic angling, 30° left and right.
<b>BROOM SIZE</b>	32" (81 cm) diameter x 60" (153 cm) wide.
<b>BRUSH</b>	Sectional brush with combination polypropylene/wire radial segments.
<b>WEIGHT</b>	460 lbs. (209 kg)
<b>OPTIONS</b>	Dirt Deflector, Storage Stands.



SUNSHADE	
<b>UNIVERSAL MOUNT SUNSHADE</b>	White, Model 30669 / Red, Model 30671



SNOWTHROWER, ERSKINE MODEL 2000	
<b>STAGE</b>	2
<b>CLEARING WIDTH</b>	61" (155 cm)
<b>SNOW CUT DEPTH</b>	29" (74 cm)
<b>CUTTING EDGE</b>	3/8" x 3" (9.5 mm x 7.6 cm) bolt-on
<b>SKID SHOES</b>	Adjustable
<b>AUGER DIAMETER</b>	16" (41 cm) open flight
<b>FAN DIAMETER</b>	20" (51 cm) 4-blade
<b>CHUTE ROTATION</b>	Hydraulic 270°
<b>SHEAR PROTECTION</b>	Pressure relief
<b>THROWING DISTANCE</b>	Up to 30' (9.14 m)
<b>APPROXIMATE SHIPPING WT.</b>	850 lbs. (386 kg)
<b>HOSES</b>	Included

\*Specifications and design subject to change without notice.

Note: The Toro Company does not manufacture or sell the snowthrower or rotary broom, nor does Toro guarantee these accessories in any manner whatsoever.







## Groundsmaster® 4100-D & 4110-D

A powerful 10.5 foot rotary mower that delivers 55 hp of muscle and productivity in an agile machine.



Groundsmaster® 4100-D  
Model 30608



Groundsmaster® 4110-D  
Model 30644



# Groundsmaster® 4100-D/4110-D Specifications

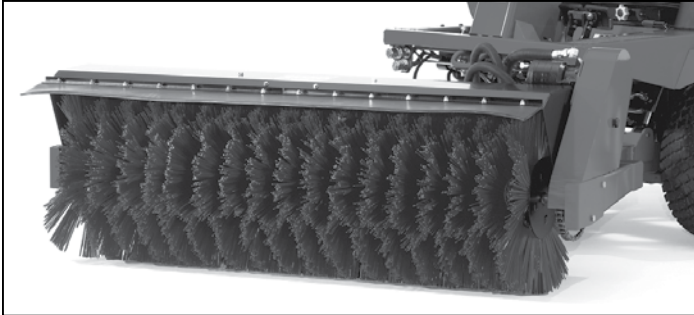
	GROUNDMASTER 4100-D, MODEL 30608*	GROUNDMASTER 4110-D, MODEL 30644*			
<b>ENGINE</b>	Yanmar® 4-cylinder, liquid-cooled, turbo-charged diesel. 127 cu. in. (2.1 liter) displacement. Engine rated at 55 hp (41 kW) net and 125 ft.-lbs. (169 Nm) torque at 2,000 rpm. 8 quart (7.6 liter) oil capacity. EPA Tier IV Final Compliant.				
<b>AIR CLEANER</b>	Dry, replaceable primary and safety elements.				
<b>RADIATOR</b>	Rear-mount, cross-flow, 6.3 fins per inch, 9 quart (8.5 liter) capacity.				
<b>FUEL CAPACITY</b>	21 gallons (79.5 liters) diesel fuel. Biodiesel-Ready for use up to B-20 (20% biodiesel and 80% petroleum blend)				
<b>TRACTION DRIVE</b>	Parallel hydrostatic, closed loop system with full-time 4WD. Forward/reverse in low (mow) and high (transport) range with full-time, automatic traction assist (forward only) optional on Groundsmaster 4100-D models. Variable displacement piston pump with electronic servo control powers dual speed displacement piston motor drive into double reduction planetary in front, and mechanical axle in rear. Smart Power® feature controls traction speed to maintain optimal cutting blade speed.				
<b>HYDRAULICS/COOLING</b>	8.75 gallon (33.1 liter) capacity with 10 micron remote spin-on filter. Single pass cooler, 6.3 fins per inch, SmartCool® variable speed radiator cooling fan with automatic (based on coolant and oil temps) and manual reversing capabilities.				
<b>DIAGNOSTICS</b>	Diagnostic pressure test ports: forward and reverse traction, left, center and right decks, reverse 4WD, lift, steering, charge and deck counterbalance circuits.				
<b>GROUND SPEED</b>	<b>Transport:</b> 0-16.2 mph (0-26.1 km/h) forward, 0-8.1 mph (0-13 km/h) reverse. <b>Mow:</b> 0-8.3 mph (0-13.4 km/h) forward, 0-4 mph (0-6.4 km/h) reverse.				
<b>TIRES</b>	Front: 26 x 12-12, 6-ply tubeless Multi-Trac. Rear: 20 x 10-10, 6-ply tubeless Multi-Trac.				
<b>MAIN FRAME</b>	All welded formed-steel frame with integral tie-down anchors.				
<b>BRAKES</b>	Mechanically actuated, internal wet disc brakes on input to each planetary drive. Individual foot-operated steering brake control of left and right wheel. Lock pedals together and latch to engage parking brake.				
<b>SEAT</b>	4-way adjustable, right armrest travels with seat and suspension.				
<b>STEERING</b>	Power steering with dedicated power source. Steering wheel tilts to desired operator position. Uncut circle: 0" diameter.				
<b>INSTRUMENTATION</b>	<b>InfoCenter™:</b> Onboard LCD display shows gauges, alerts/fauls, service reminders, electrical system diagnostics. Indicates fuel level, coolant temp, intake temperature, low oil pressure, alternator, engine hours, engine rpm, hydraulic oil temperature, voltage.				
<b>CONTROLS</b>	Tilt steering, ignition switch, throttle switch, foot-operated traction pedal, lockable individual brake pedals, parking brake lock, mow/transport speed selector switch, 3, two position switches for individual deck lift/lower, counterbalance adjustment, tow valves, cup holder, toolbox, radio holder, fan switch and 12-volt power outlet.				
<b>CRUISE CONTROL</b>	Standard				
<b>ELECTRICAL</b>	12-volt, 690 cold cranking amps battery, 80 amp alternator. Overload protection with automotive type fuses.				
<b>INTERLOCKS</b>	Prevents engine from starting unless traction pedal is in neutral and deck is disengaged. If operator leaves seat while moving or deck is engaged, traction and/or deck stops. InfoCenter alarms and gives message. Mowing only permitted in low range. Traction not allowed if parking brake engaged and pedal moved out of neutral, InfoCenter alarms and gives message. Deck transport latches.				
<b>GROUND CLEARANCE</b>	6.5" (16.5 cm)				
<b>OVERALL DIMENSIONS</b>	<b>Height</b> 85.3" (216.7 cm) w/ ROPS up 93.3" (237 cm) w/ cab	<b>Length</b> 144" (366 cm) w/ decks down	<b>Width</b> 127" (323 cm) w/ decks down	<b>Transport Width</b> 71" (180 cm) @ 2" (5 cm) HOC	<b>Wheelbase</b> 55.5" (140 cm)
<b>WEIGHT</b>	4237 lbs. (1922 kg) w/ full fluids (GM4100-D). 4890 lbs. (2218 kg) w/ full fluids (GM4110-D).				
<b>SAFETY CAB (4110)</b>	<b>MODEL 30644:</b> ROPS certified cab with heat, AC and the following standard features: climate system pressurized cab, heavy-duty pantograph front windshield wiper and washer, front windshield has 38" of visibility, interior mirror, fold away exterior side mirrors, molded front fenders, right and left doors and rear window have tinted (50%) glass, front and rear windows open, quick release window latches act as emergency exit, rubber sound isolator cab mounts and upholstered interior panels and headliner, textured neoprene floor mat, interior dome light.				
<b>SAFETY</b>	Complies with American National Standards Institute (ANSI B71.4-2012) and applicable ISO EN 5395 (CE) standards (machine directive 89/392, 91/368, 93/44, 84/538, 89/336) requirements; Optional lights. Meets ANSI/ASAE 5279.12 (Lighting and Marking of Agricultural Equipment on Highways). Foldable ROPS, ISO 21299 certified.				
<b>WARRANTY</b>	Two-year limited warranty. Refer to operator's manual for further details.				
<b>ACCESSORIES</b>	Work light, LED road lights consisting of dual taillights, dual headlights, slow moving vehicle sign, turn signal, flasher and lights, sunshade, beacon, slope sensor				
<b>CUTTING DECK*</b>					
<b>WIDTH OF CUT</b>	Overall: 124" (315 cm). Center deck section: 54" (137.1 cm). Two 37" (93 cm) width of cut wings. 89" (226 cm) width of cut with one wing up.				
<b>MOWING RATE</b>	Mows up to 10.4 acres/hr (4.2 hectares/hr) at 8.3 mph (13.4 km/hr). Assumes no overlap or stops. **Assumes max mow speed and 100% efficiency. Actual mowing rates may vary depending on operator and conditions.				
<b>CONSTRUCTION</b>	Welded .100" (2.5 mm) high-strength steel with steel 7 and 10-gauge channel and plate reinforcements.				
<b>DECK DRIVE</b>	Direct mounted hydraulic motor into spindle. Remaining spindle(s) driven by individual B section Kevlar belt. Quick-release belt covers.				
<b>HEIGHT-OF-CUT</b>	1"-5" (25-127 mm) in .5" (13 mm) increments.				
<b>SPINDLES</b>	1.25" (3.17 cm) diameter spindle shafts, 9" (22.9 cm) diameter conical ductile iron housing, and 2 greaseable tapered roller bearings.				
<b>BLADES</b>	19" (48.3 cm) long, 2.5" (6.4 cm) wide, .25" (.64 cm) thick.				
<b>CASTER WHEELS</b>	8 x 3.50-4, 4-ply, smooth, pneumatic, sealed precision ball bearings.				
<b>GROUND FOLLOWING</b>	6" anti-scalp cups on each blade, adjustable skids, 3 anti-scalp rollers on front deck and 1 on each wing.				
<b>WING PROTECTION</b>	Impact absorption device on each wing deck.				
<b>MULCHING KIT</b>	Model 30419.				
<b>SKIDS</b>	Reversible polymeric.				

\*Specifications and design subject to change without notice. Products depicted in this literature are for demonstration purposes only. Actual products offered for sale may vary in use, design, required attachments and safety features. See distributor for details on all warranties.





# Groundsmaster® 4100-D & 4110-D Attachment Specifications\*



ROTARY BROOM, MB MODEL HCT	
<b>TYPE</b>	Windrow type, front mounted hydraulic broom with dual motors. Electric/hydraulic angling, 30° left and right.
<b>BROOM SIZE</b>	32" (81 cm) diameter x 60" (153 cm) wide.
<b>BRUSH</b>	Sectional brush with combination polypropylene/wire radial segments.
<b>WEIGHT</b>	460 lbs. (209 kg)
<b>OPTIONS</b>	Dirt Deflector, Storage Stands.



SUNSHADE	
<b>UNIVERSAL MOUNT SUNSHADE</b>	White, Model 30669 / Red, Model 30671



SNOWTHROWER ERSKINE MODEL 2000	
<b>STAGE</b>	2
<b>CLEARING WIDTH</b>	61" (155 cm)
<b>SNOW CUT DEPTH</b>	29" (74 cm)
<b>CUTTING EDGE</b>	3/8" x 3" (9.5 mm x 7.6 cm) bolt-on
<b>SKID SHOES</b>	Adjustable
<b>AUGER DIAMETER</b>	16" (41 cm) open flight
<b>FAN DIAMETER</b>	20" (51 cm) 4-blade
<b>CHUTE ROTATION</b>	Hydraulic 270°
<b>SHEAR PROTECTION</b>	Pressure relief
<b>THROWING DISTANCE</b>	Up to 30' (9.14 m)
<b>APPROXIMATE SHIPPING WT.</b>	850 lbs. (386 kg)
<b>HOSES</b>	Included

\*Specifications and design subject to change without notice.

Note: The Toro Company does not manufacture or sell the snowthrower or rotary broom, nor does Toro guarantee these accessories in any manner whatsoever.







# Groundsmaster® 4300-D

The Groundsmaster 4300-D provides superior hill climbing ability, a lightweight footprint and ample power with its 43.4 hp (32.4 kW) diesel engine. Its five Contour Plus cutting units closely follow contours for an even cut on undulating terrain and heavy-duty rear rollers provide a beautiful striping pattern for spectacular results.



# Groundsmaster® 4300-D Specifications

GROUNDMASTER 4300-D, TIER 4 DIESEL, MODEL 30879*															
<b>ENGINE</b>	Yanmar® 3-cylinder, 88.5 ft.-lbs. of torque, liquid-cooled, turbo-charged diesel, 43.4 hp (32.4 kW) 91.4 cu. in. (1.5 liter) displacement. 5.5 quart (4.7 liter) oil capacity. Tier 4 Final, Stage V.														
<b>AIR CLEANER</b>	Dry, replaceable primary and optional safety element.														
<b>RADIATOR</b>	Rear-mount, cross flow, 7-row, 6.3 fins per inch, 5.5 quart (5.2 liter) capacity.														
<b>FUEL CAPACITY</b>	13.5 gallons (51.1 liters) diesel fuel. Biodiesel-ready for use up to B20 (20% biodiesel 80% diesel blend).														
<b>TRACTION DRIVE</b>	Electronically controlled hydrostatic pump with individual wheel motors. CrossTrax® All-Wheel Drive system standard, which transfers power from the front wheels to the opposite rear wheels via independent rear wheel motors.														
<b>HYDRAULICS/COOLING</b>	14 gallon (53 liter) capacity with two remote spin-on filters; main system, and traction charge. Oil cooler is a double row single pass that tilts out for cleaning.														
<b>DIAGNOSTICS</b>	Diagnostics pressure test ports: forward and reverse traction, deck circuit 1 & 2, charge, 4WD, and lift.														
<b>GROUND SPEED</b>	0-10 mph (0-16 km/hr) forward transport; 0-8 mph (0-12.8 km/hr) mow, factory default is 7 mph (11.3 km/hr); 0-5 mph (0-8 km/hr) reverse transport; 0-4 mph (0-6.4 km/hr) reverse mow.														
<b>TIRES</b>	<b>Front:</b> 26.5 x 14-12, 6-ply turf tread. <b>Rear:</b> 20 x 12-10, 6-ply turf tread.														
<b>MAIN FRAME</b>	All welded formed-steel frame with integral tie-down anchors.														
<b>BRAKES</b>	Dynamic braking through hydrostatic traction drive. Parking brake is activated when engine is turned off, when operator leaves seat, or by rocker switch.														
<b>SEAT</b>	Mechanical suspension seat standard with pivoting LH armrest, pivoting RH control arm and retractable seat belt, Air-Ride seat suspension optional.														
<b>STEERING</b>	Rear wheel, power steering with an independent hydraulic pump circuit.														
<b>INSTRUMENTATION</b>	<b>InfoCenter™:</b> Onboard LCD display shows gauges, alerts/faults, service reminders, electrical system diagnostics. Indicates fuel level, coolant temp, low oil pressure, alternator, engine hours, engine rpm, voltage, counterbalance settings, glow indicator, lift/lower indicator.														
<b>CONTROLS</b>	Single foot-operated traction pedal. Hand-operated key ignition switch, cutting unit raise/lower switch, cutting unit engage switch, parking brake switch, cruise control switch, and headlight switch all positioned on right hand pivoting control console.														
<b>ELECTRICAL</b>	12-volt battery with 540 cold cranking amps, 55 amp alternator. Overload protection with automotive-type fuses.														
<b>INTERLOCKS</b>	Prevents engine from starting unless traction pedal is in neutral and deck is disengaged. If operator leaves seat with deck engaged, decks stop. If operator leaves the seat with the unit out of neutral, engine stops. Engine stops if parking brake engaged and traction pedal not in neutral.														
<b>OPERATOR AREA</b>	Beverage holder, radio holder / mobile phone holder, 12-volt power outlet, open compartment for tools, jackets, golf balls, etc. under control arm.														
<b>WORK LIGHTS</b>	Standard, LED, 650 lumens														
<b>ROLL-OVER PROTECTION</b>	2-post standard.														
<b>DIMENSIONS W/ CUTTING UNITS &amp; WEIGHT</b>	<table border="0"> <tr> <td><b>Overall length w/decks down:</b> 126" (320 cm)</td> <td><b>Traction Unit Weight:</b> 3,205 lbs (1454 kg) - with full fluids and 5 cutting units.</td> </tr> <tr> <td><b>Overall width:</b> 96.3" (245 cm) (outside of decks)</td> <td><b>Cutting Unit Weight:</b> 140 lbs (64 kg) - single cutting unit assembly only.</td> </tr> <tr> <td><b>Overall transport width:</b> 88.3" (224 cm) (outside of front tires)</td> <td></td> </tr> <tr> <td><b>Height w/2-post ROPS:</b> 86" (215 cm)</td> <td></td> </tr> <tr> <td><b>Wheelbase:</b> 60" (152.4 cm)</td> <td></td> </tr> <tr> <td><b>Track Width, front/rear:</b> 88.3" (224 cm)/54" (137 cm)</td> <td></td> </tr> <tr> <td><b>Ground clearance:</b> 5" (12.7 cm)</td> <td></td> </tr> </table>	<b>Overall length w/decks down:</b> 126" (320 cm)	<b>Traction Unit Weight:</b> 3,205 lbs (1454 kg) - with full fluids and 5 cutting units.	<b>Overall width:</b> 96.3" (245 cm) (outside of decks)	<b>Cutting Unit Weight:</b> 140 lbs (64 kg) - single cutting unit assembly only.	<b>Overall transport width:</b> 88.3" (224 cm) (outside of front tires)		<b>Height w/2-post ROPS:</b> 86" (215 cm)		<b>Wheelbase:</b> 60" (152.4 cm)		<b>Track Width, front/rear:</b> 88.3" (224 cm)/54" (137 cm)		<b>Ground clearance:</b> 5" (12.7 cm)	
<b>Overall length w/decks down:</b> 126" (320 cm)	<b>Traction Unit Weight:</b> 3,205 lbs (1454 kg) - with full fluids and 5 cutting units.														
<b>Overall width:</b> 96.3" (245 cm) (outside of decks)	<b>Cutting Unit Weight:</b> 140 lbs (64 kg) - single cutting unit assembly only.														
<b>Overall transport width:</b> 88.3" (224 cm) (outside of front tires)															
<b>Height w/2-post ROPS:</b> 86" (215 cm)															
<b>Wheelbase:</b> 60" (152.4 cm)															
<b>Track Width, front/rear:</b> 88.3" (224 cm)/54" (137 cm)															
<b>Ground clearance:</b> 5" (12.7 cm)															
<b>SAFETY</b>	Complies with American National Standards Institute (ANSI B71.4) and applicable ISO EN 5395 (CE) standards (machine directive 89/392, 91/368, 93/44, 84/538, 89/336) requirements.														
<b>WARRANTY</b>	Two-year limited.														
CUTTING UNITS*															
<b>TYPE</b>	Five Contour™ Plus 22" (55.9 cm), rear-discharge rotary cutting units w/rear rollers.														
<b>WIDTH OF CUT</b>	90" (2.3 m), overlap 5" (12.7 cm), overhang 1" (2.5 cm).														
<b>HEIGHT OF CUT</b>	.75"-4" (1.9-10.2 cm) in .25" (.6 cm) increments.														
<b>MOWING RATE**</b>	6.4 acres/hr (2.6 hectares/hr)														
<b>DECK DRIVE</b>	Hydraulic, direct coupled to spindle														
<b>CONSTRUCTION</b>	Cutting chamber is 10-gauge steel constructed chambers with 12-gauge welded reinforcements. Spindle support is 3/16" (.48 cm) high-strength steel and 10-gauge exterior channels. Cutting unit frame is welded 1.5" (3.8 cm) square x .25" (.6 cm) wall tube with 7-gauge side supports. Spindle support 3/16" (.48 cm) high-strength steel and 10-gauge exterior channels.														
<b>SPINDLE ASSEMBLY</b>	Ductile cast iron spindle housing. Dual greaseable tapered roller bearings. 1.25" (3.2 cm) diameter solid cold finished steel spindle shaft. Splined connection between spindle shaft and pulley. Welded blade retainer plus anti-scalp cups.														
<b>GROUND FOLLOWING</b>	6" (15.3 cm) anti-scalp cups on each blade. On each deck: two 5" (12.7 cm) diameter front rollers with sealed stainless steel bearings, one 3" (7.6 cm) diameter rear roller with greaseable stainless steel bearings.														
<b>BLADES</b>	22" (55.9 cm) long, 2.5" (6.4 cm) wide, .25" (.64 cm) thick. Standard: combo blade (108-7395-03)														

\* Specifications and design subject to change without notice. Products depicted in this literature are for demonstration purposes only. Actual products offered for sale may vary in use, design, required attachments and safety features. See distributor for details on all warranties.

\*\*Assumes max mow speed and 100% efficiency. Actual mowing rates may vary depending on operator and conditions.





# Groundsmaster® 4300-D Accessories\*

TRACTION UNIT ACCESSORIES	
03667	Air ride suspension seat
30669	Universal Sunshade - White
30671	Universal Sunshade - Red
03247	Operator Fan Kit
85-4750	Diagnostic Display Box
03614	Golf Ball Operator Guard

CUTTING DECK ACCESSORIES	
30845	22" Cutting Unit
117-0209-03	Angle Sail Blade
114-0435-03	Atomic Mulching Blade
108-7395	Combo Blade
117-0185	Leaf Mulching Kit
137-6147	Sectional Rear Roller 22" (55.8 cm)
117-0149	Roller Scraper Kit

\*Specifications and design subject to change without notice. Products depicted in this literature are for demonstration purposes only. Actual products offered for sale may vary in use, design, required attachments and safety features. See distributor for details on all warranties.







# Groundsmaster® 4500-D & 4700-D

Powerful rotary mowers that deliver impressive cutting quality.



# Groundsmaster® 4500-D & 4700-D Specifications

	GROUNDMASTER 4500-D, MODEL 30885*	GROUNDMASTER 4700-D, MODEL 30887*	
<b>ENGINE</b>	Yanmar® 4-cylinder liquid-cooled, turbo-charged diesel. Power: 55 hp (41.1 kW) power at rated speed of 2700 rpm. Torque peak: 125 ft-lbs (169 Nm) @ 2000 rpm. Displacement: 127 cu. in. (2.1 liters). EPA Tier IV Final and Stage V Compliant.		
<b>AIR CLEANER</b>	Dry, replaceable primary and safety elements.		
<b>RADIATOR</b>	Rear-mount, single pass, 7-row, 6.3 fins per inch, 13 quart (12.3 liters) capacity.		
<b>FUEL CAPACITY</b>	22 gallons (83 liters) diesel fuel. Biodiesel-Ready for use up to B-20 (20% biodiesel and 80% petroleum blend).		
<b>TRACTION DRIVE</b>	Parallel hydrostatic, closed loop system with full-time 4WD forward/reverse in low (mow) and high (transport) range with optional full-time, or momentary traction flow divider (forward only) (Model 31529). Variable displacement piston pump with electronic servo control powers dual speed piston motor drive into double reduction planetary in front, and mechanical axle in rear. Smart Power® feature controls traction speed to maintain optimal cutting blade speed.		
<b>HYDRAULICS/COOLING</b>	8.25 gallon (31.3 liter) capacity with 10 micron remote spin-on filter, single-pass cooler, 6.3 fins per inch. Variable speed SmartCool hydraulic fan drive with automatic (based on coolant and oil temps) and auto/manual reversing capabilities.		
<b>DIAGNOSTICS</b>	Diagnostics pressure test ports: forward and reverse traction, deck circuit 1 & 2, reverse 4WD, lift, steering, traction charge, and counter balance.		
<b>GROUND SPEED</b>	Transport: 0-13 mph (0-21 km/h) forward, 0-8.0 mph (0-12.8 km/h) reverse. Mow: 0-8.0 mph (0-12.8 km/h) forward, 0-6.5 mph (0-10.4 km/h) reverse. (Max speeds adjustable by both operator and supervisor.)		
<b>TIRES</b>	Front: 29 x 14-15, 6-ply ultra-tread. Rear: 20 x 10-10, 4-ply Multi-Trac tread.		
<b>MAIN FRAME</b>	All welded formed-steel frame with integral tie-down anchors.		
<b>BRAKES</b>	Dynamic through hydrostatic transmission, plus mechanically-actuated, internal wet disc brakes on input to each planetary drive. Individual foot-operated steering brake control of left and right front wheel. Lock pedals together and latch to engage parking brake.		
<b>SEAT</b>	Premium seat with adjustments for operator weight via air ride suspension, seat fore/aft position, seat back angle, arm rest height and retractable seat belt.		
<b>STEERING</b>	Power steering with dedicated power source, tilt steering.		
<b>INSTRUMENTATION</b>	InfoCenter™ System: Onboard LCD display shows gauges, alerts/faults, service reminders, electrical system diagnostics. Indicates fuel level, coolant temperature, intake temperature, low oil pressure, alternator, engine hours, engine rpm, hydraulic oil temperature, voltage and fuel usage.		
<b>CONTROLS</b>	Ignition switch, traction range selection switch, PTO switch, light switch, cruise control switch. Foot-operated traction pedal, individual foot-operated steering brake control of left and right wheels with parking brake lock. Lift Switches: One 2-position switch (GM 4500-D). Three 2-position switches (GM 4700-D).		
<b>CRUISE CONTROL</b>	Off/on/engage switch with on-screen adjustable speed control through the InfoCenter while engaged. Auto-disengage with PTO deactivation or braking.		
<b>ELECTRICAL</b>	12-volt, 650 cold cranking amps battery, 40 amp alternator. Overload protection with automotive type fuses.		
<b>INTERLOCKS</b>	Prevents engine from starting unless traction pedal is in neutral and deck is disengaged. If operator leaves seat with deck engaged, engine stops. Machine automatically switches to low range if decks are lowered. Engine stops if parking brake engaged and traction pedal not in neutral. Prevents switching mow to transport unless stopped to protect turf.		
<b>OPERATOR AREA</b>	Beverage holder, radio holder, 12-volt power point, storage box (tools, jackets, golf balls, etc.), seat belt.		
<b>WORK LIGHT</b>	Standard, LEDs, 650 lumens.		
<b>ROPS</b>	2-post foldable, standard.		
<b>DIMENSIONS W/ CUTTING UNITS</b>	<b>GM 4500-D</b>	<b>GM 4700-D</b>	
	Overall length w/decks down	145.8" (370 cm)	145.8" (370 cm)
	Overall width, lowered/raised	112.8" (286 cm)/88.3" (224 cm)	153.8" (391 cm)/88.3" (224 cm)
	Height w/2-post ROPS	88.8" (216 cm) upright, 65.2" (165 cm) folded	88.8" (216 cm) upright, 65.2" (165 cm) folded
	Wheelbase	67.5" (172 cm)	67.5" (172 cm)
	Track Width, front/rear	88.3" (224 cm)/55.5" (141 cm)	88.3" (224 cm)/55.5" (141 cm)
Ground clearance	6" (15.3 cm)	6" (15.3 cm)	
<b>WEIGHT</b>	4,495 lbs. (2038 kg) - with full fluids.	5,045 lbs. (2288 kg) - with full fluids.	
<b>MOWING RATE**</b>	8.8 acres/hr (3.6 hectares/hr)	12.1 acres/hr (4.9 hectares/hr)	
<b>SAFETY</b>	Complies with American National Standards Institute (ANSI B71.4-2017) and applicable ISO EN 5395 (CE) standards (machine directive 89/392, 91/368, 93/44, 84/538, 89/336) requirements.		
<b>WARRANTY</b>	Two-year limited warranty. Refer to the Operator's Manual for further details.		
	<b>CUTTING UNITS*</b>		
<b>TYPE</b>	Five Contour™ Plus 27" (68.6 cm), rear-discharge rotary cutting units with standard full-length striping rear rollers.	Seven Contour™ Plus 27" (68.6 cm), rear-discharge rotary cutting units with standard full-length striping rear rollers.	
<b>WIDTH OF CUT</b>	109" (277 cm), overlap 6.5" (16.5 cm), overhang 10.4" (26.4 cm).	150" (381 cm), overlap 6.5" (16.5 cm), overhang 30.9" (78.4 cm).	
<b>MOWING CONFIGURATIONS</b>	Five fixed decks, 109" (277 cm) cutting width.	Operate-on-the-fly mowing configurations of 5, 6, or 7 decks utilizing the independently-operable outboard cutting units, resulting in cutting widths of 109" (276.8 cm), 129.5" (328.9 cm), or 150" (381 cm).	
<b>HEIGHT OF CUT</b>	0.75"-4" (1.9-10.2 cm) in 0.25" (.6 cm) increments. 3-position 0.030" (0.08 cm) incremental calibration		
<b>CONSTRUCTION</b>	10-gauge steel constructed chambers with 12-gauge welded reinforcements. Heavy-duty exoskeleton deck carrier frame, 1.5" (3.8 cm) square x .25" (.6 cm) wall tube with 7-gauge side supports protects deck shell from impact damage. Spindle support 3/16" (.48 cm) high-strength steel and 10-gauge exterior channels.		
<b>SPINDLE ASSEMBLY</b>	Ductile cast iron spindle housing. Dual greaseable tapered roller bearings. 1.25" (3.2 cm) diameter solid cold finished steel spindle shaft. Splined connection between spindle shaft and deck motor. Welded blade retainer plus anti-scalp cups.		
<b>GROUND FOLLOWING</b>	6" (15.3 cm) anti-scalp cups on each blade. On each deck: two 5" (12.7 cm) diameter front rollers, one 3" (7.6 cm) diameter rear roller.		
<b>BLADES</b>	27" (68.6 cm) long, 2.5" (6.4 cm) wide, 0.25" (.64 cm) thick. Standard combo blade, optional Atomic, high sail and angle sail blades.		
<b>WING PROTECTION</b>	Groundsmaster 4700-D has an impact absorption device on wing decks.		

\*Specifications and design subject to change without notice.

\*\*Assumes max mow speed and 100% efficiency. Actual mowing rates may vary depending on operator and conditions.





# Groundsmaster® 4500-D & 4700-D Accessories\*

TRACTION UNIT ACCESSORIES	
30629	Premium Seat
31696	Work Light Kit
30669	Universal Sunshade - White
30671	Universal Sunshade - Red
30358	Bimini Canvas Sunshade
115-8473	90-amp Alternator Kit
31529	4WD Flow Divider Kit
03614	Golf Ball Operator Guard
30670	EU Road Light Kit

CUTTING DECK ACCESSORIES	
104-5183	High Lift Blade
105-9810-03	Angle Sail Blade
107-0235-03	Atomic Blade
108-9026-03	Combo Blade
30836	Leaf Mulching Kit
137-6145	Sectional Rear Roller 27" (68.5 cm)
104-5168	Roller Scraper Kit

\*Specifications and design subject to change without notice. Products depicted in this literature are for demonstration purposes only. Actual products offered for sale may vary in use, design, required attachments and safety features. See distributor for details on all warranties.







# Groundsmaster® 5900 & 5910

You won't have to work as hard to be productive with a 16-foot mower that can cut an acre of grass in less than 5 minutes.



# Groundsmaster® 5900/5910 Specifications

GROUNDMASTER 5900, MODEL 31698* / GROUNDMASTER 5910, MODEL 31699*	
<b>ENGINE</b>	Yanmar 3.3L, EPA Tier 4 Final and EU Stage IV emissions compliant, turbocharged diesel with direct injection and electronic high-pressure common rail. 72 HP (53.7 kW) @ 2500 rpm, Torque: 206 ft.-lbs. (279 Nm) @ 1625 rpm Displacement: 202 cu. in. (3.3 L).
<b>COOLING SYSTEM</b>	24V dual electric fan banks for separate engine radiator and hydraulic oil cooling; fan banks are variable speed, with auto-reverse feature (SmartCool®, based on coolant and oil temps), radiator is cross flow, 3 rows, 9 fins per in. (FPI). Hydraulic oil cooler is crossflow, 6 FPI. Cooling fan banks tilt away for fast, easy cleaning.
<b>FUEL SYSTEM</b>	Uses ultra-low sulfur diesel fuel only. Biodiesel compatible up to B20.
<b>CAPACITIES</b>	Fuel: 35 gal.(132L) Hydraulic: 19 gal (71.9 L). Engine Oil w/ filter: 11 qt. (10.4 L). Coolant: 13.5 qt. (12.7 L) (Model 31698), 18 qt. (17 L) (Model 31699)
<b>HYDRAULIC SYSTEM</b>	Capacity: 19 gallons (71.9 L) reservoir, Remote spin-on charge filter, Oil: Toro premium all season hydraulic fluid
<b>TIRES/WHEELS</b>	Front: 29x12.00-15, 6 ply rating, 32 psi; Rear: 23x10.50-12, 6 ply rating, 30 psi
<b>INSTRUMENTATION</b>	Onboard LCD (InfoCenter™) display shows customizable gauges, service reminders, advisories/faults and troubleshooting assistance. Indicates fuel level, coolant temp, hydraulic oil temp, engine glow plug, low oil pressure, air cleaner restriction, 12 and 24 volt alternator voltage output, engine hours and rpm, and engine DPF regeneration.
<b>POWERTRAIN</b>	Full time automatic forward and reverse 4WD in low (mow) range. Front wheel drive in transport. Parallel hydrostatic, closed loop with cross wheel traction (CrossTrax™) design; traction drive pump: variable displacement piston, servo control. <b>Front drive:</b> 2-speed, fixed displacement high torque, low speed radial piston motors. <b>Rear drive:</b> single speed, fixed displacement, high torque, low speed radial piston motors. Smart Power® feature controls traction speed to maintain optimal cutting blade speed.
<b>ELECTRICAL SYSTEM</b>	<b>Main:</b> 12 volt system; Alternator: 12V, 80 amp, supplied w/ engine Battery: 1380 CCA (2x 690 CCA), <b>Cooling Fans, Engine/Hydraulic cooling:</b> 24 volt system; Alternator: 24V, 105 amp w/ remote sense; Battery: 350 CCA; Disconnect ON/OFF switch for 12 & 24 volt service safety.
<b>BRAKES</b>	<b>Service:</b> Dynamic, hydrostatic 4WD in low range. Front wheel drive braking in high range. <b>Parking:</b> Electrohydraulic controlled via double-motion rocker switch. Spring applied, hydraulic released. Internal to front wheel motors. Automatically applies with engine OFF or key OFF Manual override from operator platform for servicing
<b>PRODUCTIVITY</b>	Infinitely variable speed. Forward speeds: mow: 0-10.8 mph (17.4 km/h) Transport: 0-20 mph (0-32.2 km/h). Reverse speeds: mow 0-5.7 mph (0-9.2 km/h), transport: 0-10.5 mph (0-16.9 km/h) transport. Speed control: Electronic, limits max speed. Mowing capacity: 20.9 acres/hr. (8.5 ha/hr)**; NOTE: For EU countries complying to ISO 5395, all speeds and mow rates should be reduced by 12%.
<b>CONTROLS</b>	Control arm, right armrest, travels with seat and suspension. Deck lift/lower, electrohydraulic switches. Throttle; electronic, variable. Traction pedal, electronic. Park brakes: double-motion switch. Steering; hydrostatic load sensing. Other: High/low range, PTO, cruise control, lights, horn, key switch, wing deck transport latches (manual).
<b>OPERATOR STATION</b>	Operator platform: isolated rubber mounted. Seat: 4 way adjustable with vinyl (31698) or cloth (31699) cushions standard. Suspension: air-ride with 3 in. (7.6 cm) of adjustability. Steering: power and adjustable tilt. Traction Pedal: adjustable angle uses position sensor. Storage box, cup holder, and 12 volt power outlet, double USB port, standard.
<b>STEERING</b>	Uncut circle - 0" diameter. Turning radius - 86" (218 cm)
<b>CAB (5910)</b>	ROPS certified cab with heat, AC and the following standard features: climate system pressurized cab, heavy-duty pantograph front windshield wiper and washer, front windshield has 38" of visibility, interior mirror, fold away exterior side mirrors, molded front fenders, right and left doors and rear window have tinted (50%) glass, front and rear windows open, quick release window latches act as emergency exit, rubber sound isolator cab mounts and upholstered interior panels and headliner, textured neoprene floor mat, interior dome light. Power provided for optional aftermarket audio accessories. Optional rotating beacon for cab units (31509), additional turn signals and work lights available.
<b>SAFETY AND LIGHTING</b>	Standard (31698 & 31699): LED headlights, brake lights, tail lights, and amber turn signals and flashers). Disconnect ON/OFF switch for 12 & 24-volt service safety.
<b>CERTIFICATION</b>	Meets or exceeds EU Machinery Directive (2006/42/EC); ISO 5395-2013 and ANSI B71.4-2012; ISO 21299 and SAE J1194; OSHA 29CFR1910.95 (SAEJ1175, European Directive 2000/14/EC, ISO 5395-2013); EN 55012:2007 and CISPR12. Model 31698 meets or exceeds ANSI/ASAE S279.12 (Lighting and Marking of Agricultural Equipment on Highways). Model 31699 air conditioning system meets SAE J1503, Section 8.
<b>WARRANTY</b>	Two year limited warranty.
<b>VEHICLE WEIGHT (W/ FULL FLUIDS)</b>	6,710 lbs. (3043 kg) (31698), 7,304 lbs. (3313 kg) (31699)
<b>GROUND CLEARANCE</b>	10.3 in. (26.1 cm)
<b>DIMENSIONS</b>	WIDTH: Transport: 99 in. (251 cm), Mow: 199 in. (505 cm) LENGTH: 174 in. (442 cm) HEIGHT: 85 in. (216 cm) (31698), 95 in. (241 cm) (31699) WHEELBASE: 77 in. (196 cm)

CUTTING DECKS*	
<b>TYPE</b>	Three rear discharge rotary decks
<b>CUTTING WIDTH</b>	All three decks: 192 in. (488 cm), One wing: 57 in. (145 cm), center deck: 92 in. (234 cm), center deck + one wing: 144 in. (366 cm).
<b>HEIGHT OF CUT</b>	1-6 " in (2.5 – 15 cm) in 0.5 in. (1.3 cm) increments.
<b>CONSTRUCTION</b>	11-gauge high-strength steel. 7-gauge, reinforcements, bullnose bumpers.
<b>PROTECTION</b>	2-way shock absorption on wing decks.
<b>DECK DRIVE</b>	HybridDrive™ - Hydraulic motor to spindle, remaining spindle(s), driven by "B" section v-belts.
<b>TENSIONING</b>	Automatic, spring loaded idlers.
<b>SPINDLES</b>	<b>Shaft:</b> 1.25" (3.2 cm) hardened steel. <b>Housing:</b> 9" (22.9 cm) ductile iron. <b>Bearings:</b> Greaseable tapered roller.
<b>STANDARD BLADES</b>	20" (50.8 cm), heat-treated steel blades.
<b>OPTIONAL BLADES</b>	Atomic™ mulching blades, flat blades.
<b>SKIDS</b>	4 reversible polymeric, 2 reversible steel

\*Specifications and design subject to change without notice. Products depicted in this literature are for demonstration purposes only. Actual products offered for sale may vary in use, design, required attachments and safety features. See distributor for details on all warranties.

\*\*Assumes max mow speed and 100% efficiency. Actual mowing rates may vary depending on operator and conditions.  
2025 Toro Commercial Equipment Guide 25-003-T Rev. 1/25





# Groundsmaster® 5900/5910 Accessories\*



	SNOWTHROWER ERSKINE MODEL 2000
<b>STAGE</b>	2
<b>CLEARING WIDTH</b>	85" (216 cm)
<b>SNOW CUT DEPTH</b>	29" (74 cm)
<b>CUTTING EDGE</b>	3/8" x 3" (9.5 mm x 7.62 cm) bolt-on
<b>SKID SHOES</b>	Adjustable
<b>AUGER DIAMETER</b>	16" (41 cm) open flight
<b>FAN DIAMETER</b>	20" (51 cm) 4-blade
<b>CHUTE ROTATION</b>	Hydraulic, 270°
<b>SHEAR PROTECTION</b>	Pressure relief
<b>THROWING DISTANCE</b>	Up to 30' (9.4 m)
<b>APPROXIMATE SHIPPING WEIGHT</b>	850 lbs. (386 kg)
<b>HOSES</b>	Included

TORO ACCESSORIES AND PARTS	
Model/Part #	Description
30669	Universal Mount Sunshade – White
30671	Universal Mount Sunshade –Red
138-2700	Work Lights for Sunshade
31672	Additional Turn Signals for ROPS/Sunshade
31590	Work Lights for GM5910
31671	Additional Turn Signals for GM5910
119-7719	Backrest Extension Kit – Fabric for GM5910
119-7718	Backrest Extension Kit – Vinyl for GM5900
31604	Leaf Mulching Kit
93-5973	10" Foam Filled Caster Tire Assembly
31609	MVP Maintenance Kit (oil/fuel)
31512	Back-up Alarm Kit
119-8256	Rotating Beacon Kit for GM5900
31509	Rotating Beacon Kit for GM5910



	ROTARY BROOM M-B MODEL SHL
<b>TYPE</b>	Windrow type, front mounted hydraulic broom with dual motors. Electric/hydraulic angling, 30° left and right.
<b>BROOM SIZE</b>	32" (81 cm) diameter x 60" (153 cm) wide.
<b>BRUSH</b>	Sectional brush with combination polypropylene/wire radial segments.
<b>OPTIONS</b>	Dirt Deflector, Storage Stands.

\*Specifications and design subject to change without notice. Products depicted in this literature are for demonstration purposes only. Actual products offered for sale may vary in design, required attachments and safety features. Consult your local Toro Distributor. Information regarding non-Toro (Allied Vendor) products is included in the Toro Golf and Grounds Equipment Guide as a convenience to Toro customers. Toro does not warrant, endorse or support any products purchased from Allied vendors. Additionally, Toro shall not be responsible for any personal injury or property damage, whether direct or consequential, caused by such Allied products. Toro does not certify fit up, compatibility or functionality of Allied products.

NOTE: The Toro Company does not manufacture or sell the snow thrower, rotary broom, nor does Toro guarantee these accessories in any manner whatsoever.





# Groundsmaster® 7200/7210

The first zero-radius turn Groundsmaster combines the power, maneuverability and versatility for almost any job. Add the PolarTrac® System to transform the Groundsmaster 7210 into a powerful snow removal machine.







# Groundsmaster® 7200/7210 Specifications

	GROUNDMASTER 7200 (30495)*	GROUNDMASTER 7210 (30695)*
<b>ENGINE</b>	Kubota®, 3-cylinder, liquid-cooled diesel. Power: 24.8 hp (18.5 kW) gross, at rated speed of 3000 rpm. Torque peak: 52.7 ft. lbs. (71.5 Nm) @ 2200 rpm. Displacement: 1123cc. High idle: 3200 rpm no load (uninstalled) 3100-3200 rpm installed. Remote mounted 5" Donaldson® air cleaner. Fuel filter/water separator. EPA Tier IV Final Compliant.	Yanmar®, 3-cylinder common-rail, liquid-cooled, diesel with EGR and diesel particulate filter (DPF), 36.8 hp (27.4 Kw) rated @ 3000 rpm, 80 ft-lbs @ 1950 rpm, High idle 3000 rpm, Low idle 1400 rpm, displacement 1642 cc. Remote mounted Donaldson air filter, external spin-on oil filter and high flow fixed fan. EPA Tier IV Final Compliant.
<b>RADIATOR</b>	Rear mount, cross flow, 6.5 fins per 1" (25 mm), 8 quart (7.6 liter) capacity	
<b>FUEL CAPACITY</b>	11.5 gallons (43.5 liters), diesel. Biodiesel-Ready for use up to B-20 (20% biodiesel and 80% petroleum blend)	
<b>ENGINE OIL W/ FILTER</b>	3.9 quarts (3.69 liter).	5.5 quarts (6.1 liter)
<b>HYDRAULIC OIL</b>	3.5 gallons (13.25 liter).	
<b>TRANSMISSION</b>	Transmission directly mounted to engine via bell housing, two independent closed-loop circuits. One pump/motor controlling left side forward, neutral, and reverse, and one pump/motor controlling right side forward, neutral, and reverse. Pumps are variable displacement piston type with slippers and full stroke capacity of 18 cc/rev.	
<b>WHEEL DRIVE</b>	Independent high-torque, low-speed wheel motors with 310 cc displacement.	
<b>PTO CLUTCH</b>	Hydraulically actuated wet multi-disc clutch.	
<b>STEERING CONTROL</b>	Adjustable twin sticks with high performance hydraulic dampers. Rev/N/Forward, located on sides of operator.	
<b>GROUND SPEED (MOWING CONFIGURATION)</b>	Forward 0-12.5 mph (0-20 km/h), variable. Reverse 0-8.5 mph (0-13.7 km/h), variable.	
<b>ALTERNATOR/GENERATOR</b>	12-volt, 40 amp internal regulated charging @ 3150 rpm.	12-volt, 55 amp internal regulated charging @ 3150 rpm.
<b>BATTERY</b>	BCI Group No.: 26, 540 cold cranking amps @ 0° F.	
<b>INSTRUMENTATION</b>	Hour meter, glow indicator, high temp indicator, oil pressure indicator, alternator indicator.	<b>InfoCenter™</b> : Onboard LCD display shows gauges, alerts/faults, service reminders, electrical system diagnostics. Indicates, coolant temp, intake temperature, low oil pressure, alternator, engine hours, engine rpm, hydraulic oil temperature, voltage
<b>SAFETY LOGIC CONTROLS</b>	Toro Standard SCM.	
<b>INTERLOCKS</b>	Tractor neutral, operator presence (engine shuts down if operator is not in seat and traction sticks are moved to the operation position), parking brake, PTO on, auxiliary hydraulics on, high temp (PTO shuts down but engine still running), over temp (engine shuts down).	
<b>SERVICE BRAKE</b>	Twin levers with dynamic braking through hydrostatic transmission.	
<b>PARKING BRAKE</b>	Hand actuated brake lever with two 10.25" diameter disc brakes mounted on the rear wheel motors.	
<b>DRIVE TIRES</b>	24 x12-12, 6-ply pneumatic tubeless, demountable and interchangeable. Tread "Toro Turf Tread".	
<b>FRONT CASTOR TIRES</b>	4-ply ribbed tread, tubeless 15 x 6-6, 20-22 psi.	
<b>ROLLOVER PROTECTION (ROPS)</b>	Two-post foldable style ROPS certified per OSHA 1928.52 specification.	
<b>SEAT</b>	Two piece, high back cushion seat with drain hole, deluxe low profile suspension, adjustable for operator weight, seat back angle, seat fore/aft position, armrest height, retractable seat belt.	
<b>STORAGE</b>	Built-in cup holder, and personal storage reached from seat. Storage for rain gear, tools, etc.	
<b>IGNITION</b>	Off/run/start, located right of operator.	
<b>THROTTLE</b>	Low - high idle, located right of operator.	
<b>DECK HYDRAULIC LIFT</b>	Raise/hold/lower/float; switch located on at end of right handle.	
<b>CURB CLIMBING</b>	Capable of climbing 8" (20.3 cm) curbs.	
<b>TIE DOWNS</b>	Four loops, one located on each corner of the machine.	
<b>FUEL ECONOMY</b>	TBD	1.1 gallons/hr (4.8 liters/hr)
<b>CERTIFICATION</b>	Cutting unit meets specification of American National Standard ANSI B71.4-2012, Safety Specifications for commercial turf care equipment. Cutting units sold in EU meets specifications of European standard per ISO EN 5395	
<b>WARRANTY</b>	2-year limited warranty. Refer to the Operator's Manual for further details.	

\*Specifications and design subject to change without notice. Products depicted in this literature are for demonstration purposes only. Actual products offered for sale may vary in use, design, required attachments and safety features. See distributor for details on all warranties.



CUTTING DECK CONFIGURATIONS	CUTTING DECKS (SOLD SEPARATELY)*		
	72" DECK W/GUARDIAN® KIT OR FINE CUT GUARDIAN® KIT	72" SIDE DISCHARGE	72" DECK W/REAR DISCHARGE KIT
<b>DECK MODEL NUMBER</b>	30353	30481	30353
<b>COMPLETION KIT (BLADES AND BAFFLES)</b>	30304 or 30346	NA	30549
<b>WIDTH OF CUT</b>	72" (182.8 cm)	72" (182.8 cm)	72" (182.8 cm)
<b>BLADE TIP SPEED (@3250 ENGINE RPM)</b>	16,000±1,000 ft./min.	18,000±1,000 ft./min.	16,000±1,000 ft./min.
<b>5/16" THICK RUBBER DISCHARGE CHUTE</b>	NA	Yes	Yes
<b>CUTTING DECK DEPTH</b>	4.25" (10.8 cm)	5.5" (13.9 cm)	4.25" (10.8 cm)
<b>DECK ANTI-SCALP ROLLERS</b>	4	5	4
<b>BUMPER SKIDS</b>	2	1	2
<b>LEAF MULCHING KIT</b>	NA	PN 108-5273	NA
<b>STRIPING KIT</b>	NA	105-7273	NA
<b>RECYCLER KIT</b>	NA	30347	NA
<b>TALL GRASS BAFFLE KIT</b>	PN 105-7269	NA	PN 105-7269
<b>MEDIUM FLOW BLADE</b>	NA	PN 110-0621-03	NA
<b>HIGH FLOW BLADE</b>	NA	PN 110-0622-03	NA
<b>ATOMIC MULCHING BLADE</b>	NA	PN 110-0624-03	NA
<b>FLAT BLADE</b>	NA	NA	PN 112-9586
<b>STANDARD BLADE</b>	PN 108-1958	NA	PN 108-1958
<b>BLADE AND BELT KIT</b>	PN 105-7271	PN 105-7272	PN 105-7271
<b>MOWING RATE (ACRES/HR)**</b>	5.8	5.8	5.8
<b>SHIPPING WEIGHT</b>	472 lb.. (214 kg.)	600 lb.. (272 kg.)	472 lb.. (214 kg.)
<b>HEIGHT OF CUT</b>	1"-6" (25 - 152 mm) adjustable in 0.25" (6 mm) increments.		
<b>60" &amp; 72" SIDE DISCHARGE DECK CONSTRUCTION</b>	7-gauge (4.5 mm) 5.5" steel (14 cm) deep; welded deck with grass discharged on the right side. An 5/16" (8 mm) thick rubber discharge chute covers the discharge opening to limit the throw distance of clippings.		
<b>62" &amp; 72" BASE DECK CONSTRUCTION</b>	7-gauge (4.5 mm) 4.25" steel (11 cm) deep; welded deck. Requires Guardian® Recycler® or rear discharge completion kit.		
<b>FINE CUT GUARDIAN® RECYCLER COMPLETION KIT</b>	Three deflectors inside the chamber redirect clippings that are elevated in the chambers so that they are cut and re-cut. Deck chambers prevent throwing of objects out from deck.		
<b>SPINDLE ASSEMBLY</b>	Ductile cast iron 9" (23 cm) diameter conical spindle housing; Dual greaseable tapered roller bearings; Spindle shaft is 1.25" (3.2 cm) diameter, solid cold finished steel, splined connection between spindle shaft and pulley; Welded blade retainer plus anti-scalp cups.		
<b>CUTTER DRIVE</b>	Isolation mounted, splined PTO-driven gearbox transfers power to three separate spindles via two separate "B" section belts.		
<b>BLADES</b>	Three 0.25" (6 mm) thick, 2.5" (63 mm) wide, heat-treated steel blades.		
<b>DECK SUSPENSION</b>	Frame which supports deck via 4 vertically suspended chains. Front drag links provide fore/aft and left/right stability. Hydraulic deck lift includes load holding check valves and gravity lower. Weight transfer system consisting of two torsion springs counterbalances some cutting deck weight to reduce turf damage.		
<b>BELT IDLER</b>	Spring-loaded (torsion) idler.		
<b>DECK SKID</b>	Replaceable, bolt-on, non-marking UHMW skid on both sides for Base decks and on left side on side discharge decks. Interchangeable left to right on base decks.		
<b>ANTI-SCALP CUPS</b>	Anti-scalp cup located on each blade spindle.		

\*Specifications and design subject to change without notice. Products depicted in this literature are for demonstration purposes only. Actual products offered for sale may vary in use, design, required attachments and safety features. See distributor for details on all warranties.

\*\* Assumes 8 mph mow speed, no overlap and 100% efficiency.





# Groundsmaster® 7200/7210 Accessories\*

PART NUMBER	MOWING UNIT ACCESSORIES
30374	Road Light Kit (30382 required, not required for Polar Trac® system)
30382	12V Power Port/Electrical Accessory Kit
112-1688	Spark Arrestor Kit (30495)
114-4050	Slow Moving Vehicle (SMV) Sign
30483	Jack Stand Kit
110-6406	Semi-Pneumatic Tire Assembly (front caster wheel)
103-6771	Lug Tire (use in applications requiring greater traction) Does not work with rear discharge deck configuration

DIMENSIONS	GROUNDMASTER 7200/7210 WITH CUTTING DECKS	GROUNDMASTER 7200/7210 WITH POLAR TRAC® SYSTEM & NO ATTACHMENT
	HEIGHT ROPS UP	72" (182.8 cm)
OVERALL LENGTH	97" (246.4 cm)	100" (254 cm)
OVERALL WIDTH	78" (198.2 cm) (72" (182.8 cm) Base Deck) 75" (190.5 cm) (72" (182.8 cm) Side Discharge)	49.5" (125.7 cm)
WHEELBASE	57" (144.8 cm)	NA

	POLAR TRAC SYSTEM
GENERAL	Polar Trac system converts the Groundsmaster 7210 into a snow removal machine complete with two rubber tracks and a climate controlled cab. Estimated conversion time is four hours for two people. Consists of two models: Cab (30474), Tracks and Front Frame: (30675)
TRACTION DRIVE	Three wheels per side with rear wheel mounted in place of mower traction wheel. Front two wheels are mounted to a walking axle that permits motion without losing track tension. Track tread is made of a Kevlar® reinforced rubber compound designed to maintain traction on snow and ice.
GROUND SPEED	8 mph (12.9 km/h).
SAFETY CERTIFICATIONS	Complies with American National Standards Institute (ANSI B71.4-2012) and applicable CE(machine directive 89/392, 91/368, 93/44, 84/538, 89/336) requirements; ROPS certified ISO21299; Glass meets ANSI Z-26.1999 and ECE R43; EMC compliant
HYDRAULIC LIFT	Two foot pedals located on center of Polar Trac floor board; Left pedal: Raise/Lower/Hold/Float. Right pedal: Attachment angle control-right/left.
ATTACHMENT SYSTEM	Quick-attach A-mount on a hydraulically powered lift arm. PTO coupler to attachment is a quick connect as are the connections for the hydraulic connectors.
ATTACHMENT CONTROLS	Two foot pedals in Polar Trac; one pedal controls the lift and lower of the attachment. The other pedal controls either the rotation of the snow blower discharge chute or the angular position of both the rotary broom and straight blade.
SNOW ATTACHMENTS	Snow blower, rotary broom, angled snow blade and powered V-plow. (Allied Attachments)
POLAR TRAC® CAB	ROPS certified cab is heated and pressurized with the following standard features: heater, pressurized heater/fan, heavy-duty pantograph front windshield wiper and washer, front windshield has 40" of visibility, interior mirror, fold away exterior side mirrors, molded front fenders, tinted full glass: rear window and both doors, rear window opens, quick release right side window act as emergency exit, rubber sound isolator cab mounts and upholstered interior panels and headliner, textured neoprene floor mat, interior dome light.
CAB LIGHT SYSTEM	Standard lighting consisting of head lamps, turn signals, flashers and tail lamps. Meets ANSI/ASAE S279.12 (Lighting and Marking of Agricultural Equipment on Highways).

PART NUMBER	POLAR TRAC SYSTEM ATTACHMENTS
30675	Polar Trac Frame and Rubber Tracks (required)
30474	Polar Trac Cab (required)
ALLIED	BOSS® Front Plow – ask your local Toro distributor for part information
ALLIED	BOSS TG300S - Rear broadcast spreader – ask your local Toro distributor for part information
ALLIED	Rotary Broom (M-B Companies model MCT)
ALLIED	Snowthrower (Erskine Attachments)
ALLIED	Straight Blade (M-B Companies)
30382	12V Power Port/Electrical Accessory Kit

\*Specifications and design subject to change without notice. Products depicted in this literature are for demonstration purposes only. Actual products offered for sale may vary in use, design, required attachments and safety features. See distributor for details on all warranties.





# Groundsmaster® 7210 Accessories\* (continued)

	SNOWTHROWER, ERSKINE MODEL 1600**
STAGE	2
WIDTH OF CUT	53" (135 cm)
CUTTING HEIGHT	22" (56 cm)
CUTTING EDGE	51" (130 cm) bolt-on
SKID SHOES	Adjustable/Hardened
AUGER DIAMETER	12" (30 cm) open flight
FAN DIAMETER	16" (41 cm)
CHUTE ROTATION	Hydraulic
SHEAR PROTECTION	Pressure relief
CASTING DISTANCE	Up to 25' (7.62 m)
APPROXIMATE SHIPPING WEIGHT	418 lbs. (190 kg)
HOSES	Included



	BOSS® STRAIGHT BLADE
BLADE	60" (152.4 cm) Smart Shield Poly Blade
CUTTING EDGE	1/4" x 4" x 60" (.635 cm x 10.2 cm x 152.4 cm) steel plate, reversible
ANGLING	0-30 degrees infinitely left & right, hydraulically operated
WIDTH	60" (152.4 cm)



	POWERED V-PLOW, M-B MODEL V-PLOW***
CONFIGURATION	This implement combines two useful snow attachments, V-plow and angled blade, into one.
ANGLING	0-30 degrees, left and right, hydraulically
BLADE WIDTHS	Straight - 57.5" (146 cm) "V" - 50" (127 cm) Scoop - 48.25" (123 cm) Angled - 61" (155 cm)
BLADE HEIGHT	23" (58 cm)
CUTTING EDGE	Bolt-on, trip edge
SKID SHOES	Adjustable, cast-hardened

	ROTARY BROOM, M-B MODEL MCT****
	<b>MECHANICAL</b>
TYPE	Windrow type, front mounted mechanical drive broom. Hydraulic angling, 30 degrees left and right.
SWING	Swing pivot point inline with 50 degree CV joint
BROOM SIZE	25" (63.5 cm) diameter brush, 60" (152 cm) width.
BRUSH	Sectional brush with choice of polypropylene, wire or combination radial segments.
SHIPPING WEIGHT	60" Broom: 500 lbs., (227 kg).
OPTIONS	Hydraulic Swing Cylinder, Electric Swing Mechanism, Dirt Deflector, Storage Stands.



\*Specifications and design subject to change without notice. Products depicted in this literature are for demonstration purposes only. Actual products offered for sale may vary in design, required attachments and safety features. Consult your local Toro Distributor.

\*\*Manufactured by Erskine. Attachment model ES1600. The Toro Company does not manufacture or sell the snowthrower, nor does Toro guarantee these accessories in any manner whatsoever.

\*\*\*Manufactured by M-B Companies, Inc.







# Groundsmaster® 7210 Accessories\* (continued)

	BOSS® Salt Spreader, Model TGS 300**
<b>HOPPER CAPACITY</b>	3 cu ft/200 lbs (.08 cu m/91 kg)
<b>HOPPER DIMENSIONS</b>	217/8"H X 29"W X 15"D (53 cm x 74 cm x 38 cm)
<b>SPREADER WEIGHT</b>	70 lb. (31 kg) plus mount
<b>FEED MECHANISM†</b>	Internal auger w/material saving brush and adjustable drop-feed gate
<b>VIBRATOR KIT</b>	Not recommended
<b>MOTOR</b>	High-torque/12-volt DC
<b>SPINNER</b>	12" (31 cm) poly
<b>SPREAD WIDTH</b>	4–30 feet (1–9 meters)
<b>MATERIAL DEFLECTOR</b>	Adjustable poly deflector
<b>RECEIVER HITCH</b>	See Toro Distributor for details on mounting.
<b>CONTROL</b>	Variable speed control with blast feature and overload protection



	SUNSHADE
<b>UNIVERSAL SUNSHADE</b>	Model 30669 (White), 30671 (Red)
<b>SWITCH PANEL</b>	03248
<b>OPERATOR COOLING FAN</b>	03247
<b>LED WORK LIGHTS</b>	138-2700
<b>BEACON</b>	138-2699
<b>BIMINI CANVAS</b>	Model 30358



\*Specifications and design subject to change without notice. Products depicted in this literature are for demonstration purposes only. Actual products offered for sale may vary in design, required attachments and safety features. Consult your local Toro Distributor.

\*\* Manufactured by BOSS®.





## Z Master® 7500-D 144"

Heads will definitely turn when you're towing one of the coolest bulls in our pen around town. Z Master Series mowers really shine once they're off the trailer, as they are bulging at the seams with performance, reliability and efficiency at an unbeatable value. You'll finish more jobs faster than ever. The Z Master also provides world-class comfort and industry-leading durability. Your customers will love the beautiful cut of the Turbo Force® deck.





# Z Master® 7500-D 144" Specifications

Z MASTER 7500-D 144", MODEL 72144*	
<b>ENGINE</b>	43.4 hp (32.3 kW) Yanmar® Turbo-Diesel (1,568cc)
<b>FUEL CAPACITY</b>	12 gallons (45.4 liters), diesel. Biodiesel-Ready for use up to B-20 (20% biodiesel and 80% petroleum blend).
<b>DRIVE</b>	Hydro-Drive
<b>DRIVE SYSTEM DESCRIPTION</b>	Kanzaki KPS-18T Transmission, 14-quart (13.2 liter) oil capacity, spin-on filter. 18 cc shoe type pumps and 1.83/1.09 cubic inch 2-speed Danfoss axial piston motors plus Omni planetary gear reduction, hydraulic oil cooler.
<b>CLUTCH</b>	Wet Disc
<b>STEERING CONTROL</b>	1.4" (3.6 cm) Diameter Grips; Hydraulically dampened twin levers, adjust fore and aft., also adjustable to 2 height positions. Adjustable dampeners (3 positions) to customize drive responsiveness.
<b>WIDTH OF CUT</b>	144" (365.7 cm)
<b>HEIGHT OF CUT</b>	1.0" - 5.5" (.25" increments) 2.5 - 14.0 cm (.6 cm increments)
<b>CUTTING DECKS</b>	7-Gauge High-Strength Steel TURBO FORCE®, rear discharge.
<b>SPINDLE HOUSING</b>	9" (22.9 cm) Diameter Cast Aluminum, 1" (2.5 cm) Heavy-Duty Spindle Shaft. Maintenance-Free Spindle Bearings.
<b>MOW/TRANSPORT SPEED</b>	10/17 mph forward (16.1/27.4 km/h) 6/9 mph reverse (9.7/14.5 km/h)
<b>ELECTRICAL</b>	12-volt battery with 175 amp alternator.
<b>INSTRUMENTATION</b>	Hour meter, glow indicator, high temp indicator, oil pressure indicator.
<b>INTERLOCKS</b>	Operator Presence Controls (OPC) and drive system interlock, with safety interlock system indicators.
<b>PARKING BRAKE</b>	Spring applied, hydraulic release internal wet disc brake.
<b>DRIVE TIRES</b>	Multi Trac 26" x 12" - 12" (66.0 x 30.5 - 30.5 cm)
<b>CASTOR TIRES</b>	15" x 6" - 6" (38.1 x 15.2 x 15.2 cm) Flat-Free Semi-Pneumatic
<b>ROLLOVER PROTECTION (ROPS)</b>	Two-post foldable style ROPS
<b>SEAT</b>	Deluxe Suspension Comfort w/Armrests (Flip-Up, Iso-Mount)
<b>STORAGE</b>	Built-in cup holder, and personal storage reached from seat.
<b>IGNITION</b>	Off/run/start, located right of operator.
<b>THROTTLE</b>	Low mode, Economy Mode, Max Mode, selection made on Horizon Technology screen on operator console.
<b>DECK HYDRAULIC LIFT</b>	Hydraulic deck lift. Raise/Lower. Switch located on operator console.
<b>TIE DOWNS</b>	Four loops, one located on each corner of the machine.
<b>CERTIFICATION</b>	Cutting unit meets specification of American National Standard ANSI B71.4-2017, Safety Specifications for commercial turf care equipment.
<b>WARRANTY</b>	5-Year 1500-Hour / First 2 Years No Hour Limit





## ProLine® H800

The Toro ProLine H800 direct collect rotary mower with high-lift dump mechanism was engineered for unmatched collection performance and lowest total cost of operation and ownership. Featuring a powerful Yanmar® 24.7 hp (18.4 kW) diesel engine; fast groundspeed up to 9.3 mph (15km/h); our innovative Smart Airflow direct collection design; and 77" (1.95 m) high-lift system that dumps clippings directly into truck beds or trailers, and you can quickly see the ProLine H800 has no equal when comparing overall collection performance and productivity. The ProLine H800 also runs longer without stopping, due to its large 10.8-gallon (41 liter) fuel tank, automatic deck cleaning wipers that prevent the chute from plugging, and innovative sensor technology that automatically shuts off the mowing deck when the hopper is filled. Packed with productivity enhancing features, the ProLine H800 can mow, collect and dispose of up to 3 acres (12,000 m<sup>2</sup>) of material per hour!





PROLINE H800, MODEL 31051*	
<b>ENGINE</b>	Yanmar; 3-cylinder, liquid-cooled, diesel. Rated Power 24.7 hp (18.4 kW) @ 3000 rpm, Gross Power 24.7 hp (18.4 kW) @ 3000 rpm. High idle: 3200 rpm; Displacement: 1.266 liter. Remote mounted 5" (12.7cm) Virgic air filter.
<b>FUEL CAPACITY</b>	10.8 gallons (41 liters) diesel
<b>TRACTION DRIVE</b>	Engine-mounted hydrostatic transmission powering four hydraulic wheel motors providing dual-diagonal full-time all-wheel drive.
<b>TIRES</b>	Front: 23 x 10.5-12 turf tires. Rear: 18 x 7.5-8 turf tires.
<b>AIR CLEANER</b>	Dry, replaceable primary and safety element.
<b>INSTRUMENTATION</b>	Indicators: glow indicator, battery discharge, low engine oil pressure, blocked air cleaner, grass collector raised, parking brake on, work light on, headlight on, hazard light on. Gauges: hour meter/service indicator, engine temperature gauge, fuel tank level gauge with low level lamp.
<b>CONTROLS</b>	Ignition switch, throttle lever, single foot-operated traction pedal, service brake with parking brake latch, switch for adjusting the height of cut.
<b>GROUND SPEED</b>	<b>Transport &amp; Mowing:</b> 0-9.3 mph (0-15 km/h), continuously variable. <b>Reverse:</b> 6.2 mph (0-10km/hr)
<b>RADIATOR</b>	Smart Cool®. Electric with automatic or manual reversing for cleaning.
<b>MAIN FRAME</b>	All welded formed-steel frame
<b>BRAKES</b>	<b>Service brake:</b> Traction pedal provides dynamic braking through hydrostatic transmission. <b>Parking brake:</b> Foot pedal actuates drum brakes on front wheels. Foot operated lock retains pedal in actuated position.
<b>STEERING</b>	Rear axle with hydraulic steering. Adjustable tilt steering wheel with 2 2/3 turns lock to lock.
<b>ELECTRICAL</b>	55A alternator with P terminal. Battery: 12V, 55B24
<b>INTERLOCKS</b>	Prevents engine from starting unless traction pedal is in neutral and deck is disengaged. If operator leaves seat with deck engaged, engine stops. If operator leaves the seat with the unit out of neutral, engine stops. Engine stops if parking brake is engaged and traction pedal not in neutral.
<b>SEAT</b>	Low profile mechanical suspension, retractable seat belt
<b>LIGHTS</b>	Work and road lights standard
<b>HYDRAULICS/COOLING</b>	2.5 gallon (9.5 liter) capacity, fan-cooled oil cooler, high pressure cartridge filter
<b>PTO CLUTCH</b>	Belt-driven, Ogura electromagnetic clutch, with magnetic blade brake, powering drive shaft to gearbox on deck. Deck shuts off automatically when grass collector is full.
<b>ROLLOVER PROTECTION</b>	2-post standard foldable ROPS, meets ISO 21299
<b>SAFETY</b>	EN ISO 5395 (CE), ANSI B71.4-2017
<b>CERTIFICATION</b>	Certified to meet the CE Machinery Directive 2006/42/EC. Certified to meet Electromagnetic Compatibility Directive 2014/30/EU, Physical Agents Directive (Vibration) 2002/44/EC, Outdoor Noise Directive 2000/14/EC, and Battery Directive 2000/66/EC. Meets emissions regulations EU Stage V. Reg. Compliance Mark (RCM) AS NZS CISPR 12:2009, Canadian EMC ICES-002, EAC
<b>WARRANTY</b>	Two-year limited warranty. Refer to the operator's manual for further details.
CUTTING DECK*	
<b>WIDTH OF CUT</b>	50" (1.3 m)
<b>HEIGHT OF CUT</b>	0.8-4.3" (20-109mm), Infinitely variable, hydraulically-adjusted, remotely controlled from operator's station
<b>DECK CONSTRUCTION</b>	Formed and welded deck with front bull-nose bumper.
<b>DISCHARGE</b>	Direct grass collection.
<b>SPINDLE ASSEMBLY</b>	1" (25mm) diameter spindles mounted in two greaseable bearings.
<b>CUTTER DRIVE</b>	PTO driven gearbox with spiral bevel gears, "B" section belt drive to all spindles.
<b>BLADES</b>	Front: heat-treated steel; Counter-rotating: Two heat-treated blade segments per spindle, bolted to integral fan disc
<b>BLADE TIP SPEED</b>	80.7 m/s (15,900 ft/min) +/- 2% at 3,210 engine RPM
<b>DECK SUSPENSION</b>	Two caster wheels in front, lift arm links in rear
<b>CASTOR WHEELS</b>	Two, smooth, semi-pneumatic 9.00x3.50-4
<b>BELT IDLER</b>	Adjustable, spring-loaded idler
<b>DECK SKID</b>	Replaceable, bolt-on, non-marking UHMW skid on both sides.
<b>DECK ANTI-SCALP ROLLERS</b>	Front nose roller and two rear side rollers
<b>DECK COVERS</b>	Molded plastic with 1/4 turn fasteners and retention bolt
<b>CUTTING DECK DEPTH</b>	4.5" (114mm)
<b>CERTIFICATION</b>	European standard per EN ISO 5395, ANSI B71.4-2017, CE approved.
<b>MOWING RATE</b>	Mow up to 3 acres (12,000 m <sup>2</sup> ) per hour

\*Specifications and design subject to change without notice. Products depicted in this literature are for demonstration purposes only. Actual products offered for sale may vary in use, design, required attachments and safety features. See distributor for details on all warranties.





# ProLine® H800 Specifications\* continued

COLLECTION SYSTEM	
<b>VOLUME</b>	1 cubic yard / 214 gallons (810 liter)
<b>GRASS DISTRIBUTOR</b>	Automatic electric-powered grass distributor for level filling
<b>FULL COLLECTOR SENSOR</b>	Adjustable sensor detects when collector is full and disengages deck
<b>ENGINEERED VENT</b>	Air vent system is engineered to retain and pack clippings with minimal dust or debris discharge
<b>CONTROLS</b>	Separate hydraulic lift and hydraulic tip to dump. Rear door opens automatically when tipping
<b>MAXIMUM DUMP HEIGHT</b>	77" (1.95 m) with 12" (.3 m) overhang
DIMENSIONS & WEIGHT WITH CUTTING DECK	
<b>HEIGHT</b>	ROPS up 81.5" (2.07 m); ROPS down 65.4" (1.66 m)
<b>OVERALL LENGTH</b>	114.6" (2.91 m)
<b>OVERALL WIDTH</b>	56.3" (1.43 m)
<b>WHEELBASE</b>	46.9" (1.19 m)
<b>EST. SHIPPING WEIGHT</b>	With Cutting Deck 2,160 lbs (980kg), without Cutting Deck 1,786 lbs (810kg)

TRACTION UNIT ACCESSORIES	
134-3594	Arm Rest Kit
134-1718	Mulching Kit
134-4690	Debris Suppression Kit
30358	Bimini Sunshade
134-5691	Dust Deflector Kit

\*Specifications and design subject to change without notice. Products depicted in this literature are for demonstration purposes only. Actual products offered for sale may vary in use, design, required attachments and safety features. See distributor for details on all warranties.





## Greensmaster® 1000 Series – The legend continues.

Toro's line of fixed-head walk behind greensmowers have been thoughtfully engineered to bring each operator and greensmower into perfect harmony. Multiple innovations, starting with an industry-first telescoping handle, come together to deliver unparalleled cut quality and consistent playability on each and every green. The uniquely modular design also makes the new Greensmaster 1000 Series mowers easier to maintain, saving significant time and money.



GREENSMaster 1018, MODEL 04820*	
<b>ENGINE</b>	Honda GX120 - 3.5 hp (2.6 kW) @3600 rpm, gasoline with integral lighting coil.
<b>FUEL CAPACITY</b>	2.1 qts (2L)
<b>FRAME</b>	Fully modular design allows quick disassembly for service / maintenance of all major components.
<b>TRACTION DRIVE</b>	Full gear drive transmission with integral traction differential and traction drive disconnect to ease movement during service / maintenance operations. Interchangeable drum drive gear cases.
<b>TRACTION DRUM</b>	Dual position traction drum with positions for contour following or forward weight bias at higher heights of cut.
<b>GROUND SPEED</b>	<b>Mowing Speed:</b> 2.0 mph (3.2 km/h) to 3.5 mph (5.6 km/h) <b>Transport Speed (maximum):</b> 5.3 mph (8.5 km/h) with optional transport tires.
<b>CLUTCH</b>	Externally-mounted two sided dry disc clutch actuated by dual motion bail.
<b>BRAKE</b>	Service / parking – band type.
<b>CUTTING UNIT DRIVE</b>	Quick-change dual-speed gear drive, combined with positive drive belt – 4 possible reel speeds/clip settings.
<b>CUTTING UNIT ATTACHMENT</b>	Detachable cutting unit allows easy removal for service / maintenance or cutting unit exchange for different uses.
<b>CUTTING UNIT</b>	14-blade cutting unit
<b>CONTROLS</b>	<b>Engine mounted:</b> recoil starter, choke, fuel shutoff. <b>Handle mounted:</b> on/off switch, throttle lever, dual motion traction / safety bail, reel engage lever, service/park brake lever, hour meter, whiteboard, light switch (optional).
<b>HANDLE</b>	Loop handle with telescoping adjustment with 5" (12.7 cm) total travel, rubber isolated to minimize operator influence during mowing.
<b>TRANSPORT TIRES / KICKSTAND</b>	Optional – Two, quick-detachable pneumatic tires (3.00X3.25-6). Kickstand is standard.
<b>WIDTH OF CUT</b>	18" (45.7 cm)
<b>HEIGHT OF CUT RANGE</b>	<b>For Greens:</b> (Drum Position One) 0.062" to 0.312" (1.5 mm to 8 mm) <b>For Tees:</b> (Drum Position Two) 0.25" to 0.625" (6 mm to 16 mm) <b>High Height of Cut Kit:</b> (Drum Position Two) 1.18" (30 mm)
<b>WEIGHT</b>	217 lbs. (98 kg) with 14-blade cutting unit, aluminum Wiehle roller.
<b>MAINTENANCE REQUIREMENTS</b>	No daily greasing required.
<b>CERTIFICATION</b>	Designed in accordance to applicable ANSI and CE specifications.
<b>WARRANTY</b>	Two-year limited warranty. Refer to the Operator's Manual for further details.

## GREENSMaster 1018 ACCESSORIES

CUTTING UNITS & REEL OPTIONS	
04824	14-Blade DPA EdgeSeries™ Cutting Unit

ROLLER OPTIONS	
04804	Interlaced Narrow Wiehle Roller
04814	Full Front Roller
04148	Extended Narrow Wiehle Roller
140-3362	Extended Narrow Wiehle Roller - Heavy
115-7361	Auxilliary Roller Extensions

GROOMER OPTIONS	
04707	Universal Groomer Drive
04268	Grooming Brush – Soft
04269	Grooming Brush – Stiff
04801	Twin Tip Groomer Blade Assembly

SCRAPER/BRUSH OPTIONS	
139-7411	Interlaced Roller Scraper Assembly
139-7412	Interlaced Roller Scraper Brush Assembly
120-9617	Full Roller Scraper Assembly
120-9623	Full Roller Scraper Brush Assembly

BEDKNIFE OPTIONS	
117-1530	EdgeMax™ Microcut (standard)
110-2300	Extended Microcut
110-2301	Lowcut
117-1532	EdgeMax™ Tournament
139-4318	EdgeMax™ Short Microcut
139-4319	EdgeMax™ Short Tournament
98-7260	Tournament
98-7261	Microcut

TRACTION UNIT ACCESSORIES	
04135	LED Light Kit
04138	Cutting Unit Light Kit Mount
04136	Push Broom Kit
139-4342	Backlap Access Kit
139-4369	Wireless Hour Meter Kit
99-4286	High Height of Cut Bracket
04123	Wheel Kit

TOOLS	
04399	Turf Evaluator
125-5610	Reel Paper – (10 Pack)
140-5531	Reel Shim
131-6828	Angle Indicator
131-6829	Angle Indicator Mount
94-9010	Height of Cut Bar

\*Specifications and design subject to change without notice. Products depicted in this literature are for demonstration purposes only. Actual products offered for sale may vary in use, design, required attachments and safety features. Consult your local Toro Distributor.







# Greensmaster® 1021 Specifications

GREENSMaster 1021, MODEL 04830	
<b>ENGINE</b>	Honda GX120 - 3.5 hp (2.6 kW) @3600 rpm, gasoline with integral lighting coil.
<b>FUEL CAPACITY</b>	2.1 qts (2L)
<b>FRAME</b>	Fully modular design allows quick disassembly for service / maintenance of all major components.
<b>TRACTION DRIVE</b>	Full gear drive transmission with integral traction differential and traction drive disconnect to ease movement during service / maintenance operations. Interchangeable drum drive gear cases.
<b>TRACTION DRUM</b>	Dual position traction drum with positions for contour following or forward weight bias at higher heights of cut.
<b>GROUND SPEED</b>	<b>Mowing Speed:</b> 2.0 mph (3.2 km/h) to 3.5 mph (5.6 km/h) <b>Transport Speed (maximum):</b> 5.3 mph (8.5 km/h) with optional transport tires.
<b>CLUTCH</b>	Externally-mounted two sided dry disc clutch actuated by dual motion bail.
<b>BRAKE</b>	Service / parking – band type.
<b>CUTTING UNIT DRIVE</b>	Quick-change dual speed gear drive combined with positive drive belt for (4) possible reel speed/clip settings.
<b>CUTTING UNIT ATTACHMENT</b>	Detachable cutting unit allows easy removal for service / maintenance or cutting unit exchange for different uses.
<b>CUTTING UNIT OPTIONS</b>	8-blade cutting unit      11-blade cutting unit      14-blade cutting unit
<b>CONTROLS</b>	<b>Engine mounted:</b> recoil starter, choke, fuel shutoff. <b>Handle mounted:</b> on/off switch, throttle lever, dual motion traction / safety bail, reel engage lever, service/park brake lever, hour meter, whiteboard, light switch (optional).
<b>HANDLE</b>	Loop handle with telescoping adjustment with 5" (12.7 cm) total travel, rubber isolated to minimize operator influence during mowing.
<b>TRANSPORT TIRES / KICKSTAND</b>	Optional – Two, quick-detachable pneumatic tires (3.00X3.25-6). Kickstand is standard.
<b>WIDTH OF CUT</b>	21" (53.3 cm)
<b>HEIGHT OF CUT RANGE</b>	<b>For Greens:</b> (Drum Position One) 0.062" to 0.312" (1.5 mm to 8 mm) <b>For Tees:</b> (Drum Position Two) 0.25" to 0.625" (6 mm to 16 mm) <b>High Height of Cut Kit:</b> (Drum Position Two) 1.18" (30 mm)
<b>WEIGHT</b>	224 lbs (100 kg) with 11-blade cutting unit, aluminum Wiehle roller.
<b>MAINTENANCE REQUIREMENTS</b>	No daily greasing required. On board backlapping available with optional kit.
<b>CERTIFICATION</b>	Designed in accordance to applicable ANSI and CE specifications.
<b>WARRANTY</b>	Two-year limited warranty. Refer to the Operator's Manual for further details.

## GREENSMaster 1021 ACCESSORIES

CUTTING UNITS & REEL OPTIONS	
04832	8-Blade DPA EdgeSeries™ Cutting Unit
04833	11-Blade DPA EdgeSeries™ Cutting Unit
04834	14-Blade DPA EdgeSeries™ Cutting Unit

GROOMER OPTIONS	
04707	Universal Groomer Drive
04270	Grooming Brush – Soft
04271	Grooming Brush – Stiff
04802	Twin Tip Groomer Blade Assembly

BEDKNIFE OPTIONS	
115-1880	EdgeMax™ Microcut (standard)
108-4303	Extended Microcut
108-4302	Extended Tournament
115-1881	EdgeMax™ Tournament
139-4320	EdgeMax™ Short Microcut
139-4321	EdgeMax™ Short Tournament
137-6092	EdgeMax™ Fairway Bedknife
137-6097	Fairway
93-4262	Microcut
93-4263	Tournament
93-4264	Low Cut
94-6392	High Cut

TRACTION UNIT ACCESSORIES	
04135	LED Light Kit
04138	Cutting Unit Light Kit Mount
04136	Push Broom Kit
139-4342	Backlap Access Kit
04800	Backlap Kit
139-4369	Wireless Hour Meter Kit
99-4286	High Height of Cut Bracket
04123	Wheel Kit

ROLLER OPTIONS	
04805	Interlaced Narrow Wiehle Roller
04815	Full Front Roller
04141	Extended Narrow Wiehle Roller
04028	Paspalum Wiehle Roller
04249	Split Front Roller – Full
04250	Split Narrow Wiehle Roller
04825	Wide Wiehle Roller
115-7361	Auxiliary Roller Extension Kit
140-3363	Interlaced Narrow Wiehle Roller – Heavy

SCRAPER/BRUSH OPTIONS	
139-4383	Interlaced Narrow Wiehle Roller Scraper/Brush
139-4385	Interlaced Narrow Wiehle Roller Scraper
115-7378	Wide Wiehle Roller Scraper/Brush
125-3504	Wide Wiehle Roller Scraper
115-7379	Full Roller Scraper/Brush
125-3505	Full Roller Scraper

TOOLS	
04399	Turf Evaluator
125-5610	Reel Paper – (10 Pack)
140-5531	Reel Shim
131-6828	Angle Indicator
131-6829	Angle Indicator Mount
94-9010	Height of Cut Bar

\*Specifications and design subject to change without notice. Products depicted in this literature are for demonstration purposes only. Actual products offered for sale may vary in use, design, required attachments and safety features. Consult your local Toro Distributor.



GREENSMaster 1026, MODEL 04840*	
<b>ENGINE</b>	Honda GX120 - 3.5 hp (2.6 kW) @3600 rpm, gasoline with integral lighting coil.
<b>FUEL CAPACITY</b>	2.1 qts (2L)
<b>FRAME</b>	Fully modular design allows quick disassembly for service / maintenance of all major components.
<b>TRACTION DRIVE</b>	Full gear drive transmission with integral traction differential and traction drive disconnect to ease movement during service / maintenance operations. Interchangeable drum drive gear cases.
<b>TRACTION DRUM</b>	Dual position traction drum with positions for contour following or forward weight bias at higher heights of cut.
<b>GROUND SPEED</b>	<b>Mowing Speed:</b> 2.0 mph (3.2 km/h) to 3.5 mph (5.6 km/h) <b>Transport Speed (maximum):</b> 5.3 mph (8.5 km/h) with optional transport tires.
<b>CLUTCH</b>	Externally-mounted two sided dry disc clutch actuated by dual motion bail.
<b>BRAKE</b>	Service / parking – band type.
<b>CUTTING UNIT DRIVE</b>	Quick-change dual speed gear drive combined with positive drive belt for (4) possible reel speed/clip settings.
<b>CUTTING UNIT ATTACHMENT</b>	Detachable cutting unit allows easy removal for service / maintenance or cutting unit exchange for different uses.
<b>CUTTING UNIT OPTIONS</b>	8-blade cutting unit      11-blade cutting unit
<b>CONTROLS</b>	<b>Engine mounted:</b> recoil starter, choke, fuel shutoff. <b>Handle mounted:</b> on/off switch, throttle lever, dual motion traction / safety bail, reel engage lever, service/park brake lever, hour meter, whiteboard, light switch (optional).
<b>HANDLE</b>	Loop handle with telescoping adjustment with 5" (12.7 cm) total travel, rubber isolated to minimize operator influence during mowing.
<b>TRANSPORT TIRES / KICKSTAND</b>	Optional – Two, quick-detachable pneumatic tires (3.00X3.25-6). Kickstand is standard.
<b>WIDTH OF CUT</b>	26" (66 cm)
<b>HEIGHT OF CUT RANGE</b>	<b>For Greens:</b> (Drum Position One) 0.062" to 0.312" (1.5 mm to 8 mm) <b>For Tees:</b> (Drum Position Two) 0.25" to 0.625" (6 mm to 16 mm) <b>High Height of Cut Kit:</b> (Drum Position Two) 1.18" (30 mm)
<b>WEIGHT</b>	240 lbs (108.8 kg) with 11-blade cutting unit, aluminum Wiehle roller.
<b>MAINTENANCE REQUIREMENTS</b>	No daily greasing required. On board backlapping available with optional kit.
<b>CERTIFICATION</b>	Designed in accordance to applicable ANSI and CE specifications.
<b>WARRANTY</b>	Two-year limited warranty. Refer to the Operator's Manual for further details.

## GREENSMaster 1026 ACCESSORIES

CUTTING UNITS & REEL OPTIONS	
04842	8-Blade DPA EdgeSeries™ Cutting Unit
04843	11-Blade DPA EdgeSeries™ Cutting Unit

GROOMER OPTIONS	
04707	Universal Groomer Drive
04276	Grooming Brush – Stiff
04803	Twin Tip Groomer Blade Assembly

BEDKNIFE OPTIONS	
117-1548	EdgeMax™ Tournament (standard)
139-4322	EdgeMax™ Short Microcut
139-4323	EdgeMax™ Short Tournament
139-4324	EdgeMax™ Microcut
107-8181	Fairway
112-9275	Microcut
94-5885	Tournament
93-9015	Low Cut
104-2646	High Cut

TRACTION UNIT ACCESSORIES	
04135	LED Light Kit
04138	Cutting Unit Light Kit Mount
04136	Push Broom Kit
139-4342	Backlap Access Kit
04800	Backlap Kit
139-4369	Wireless Hour Meter Kit
99-4286	High Height of Cut Bracket
04123	Wheel Kit

ROLLER OPTIONS	
04806	Interlaced Narrow Wiehle Roller
04816	Full Front Roller
04146	Long Narrow Wiehle Roller
04826	Wide Wiehle Roller
115-7361	Auxiliary Roller Extension Kit

SCRAPER/BRUSH OPTIONS	
139-5125	Interlaced Narrow Wiehle Roller Scraper/Brush
139-4394	Interlaced Narrow Wiehle Roller Scraper
139-7410	Wide Wiehle Roller Scraper/Brush
139-7406	Wide Wiehle Roller Scraper
139-5117	Full Roller Scraper/Brush
139-4398	Full Roller Scraper

TOOLS	
04399	Turf Evaluator
125-5610	Reel Paper – (10 Pack)
140-5531	Reel Shim
131-6828	Angle Indicator
131-6829	Angle Indicator Mount
94-9010	Height of Cut Bar

\*Specifications and design subject to change without notice. Products depicted in this literature are for demonstration purposes only. Actual products offered for sale may vary in design, required attachments and safety features. Consult your local Toro Distributor.





## Greensmaster® e1021/ e1026 Game changing Lithium-Ion innovation.

Extremely quiet with no engine exhaust emissions, the all-electric Toro® Greensmaster® e1021 and e1026 synchronize the operator and machine in an effort to eliminate operator influence on the turf. Offering a 21" or 26" cutting width, these mowers are among the quietest and most efficient walk greensmowers on the market today. Harnessing the power of lithium-ion battery technology, the e1021 and e1026 take electrical efficiency to a new level, allowing operators to mow up to 44,000\* sq. ft. of turf on a single charge.



\*Dependant on machine configuration, turf conditions, and battery age.  
2025 Toro Commercial Equipment Guide 25-003-T Rev. 1/25



# Greensmaster® e1021 / e1026 Specifications

	GREENSMAS <sup>T</sup> ER e1021, MODEL 04835*	GREENSMAS <sup>T</sup> ER e1026, MODEL 04845*
<b>POWER</b>	Lithium-Ion battery pack – nominal 51.4-Volt 28.4 A-Hr (1.5 kW-hr) with integrated battery management system utilizing CAN communication with the machine controller and charger. Single battery affixed to unit and charged onboard.	
<b>ELECTRIC MOTOR</b>	Brushless permanent magnet DC motor with separable motor controller and helical gear reduction.	
<b>BATTERY CHARGER</b>	Voltage and current controlled with CAN communication to manage battery health. Complies to max voltage and current limits directed by the battery management system. Off-board high efficiency 650W smart charger. •AC input voltage 100-240VAC •AC input Frequency 50/60 Hz •Max input Current 7.5 A • Max charge time, empty to full: 4 hours	
<b>FRAME</b>	Fully modular design allows quick disassembly for service/maintenance of all major components.	
<b>TRANSMISSION</b>	Permanent Magnet DC motor directly coupled to a fully gear-driven transmission with integral traction differential and traction disconnect to ease movement during service/maintenance operations. Interchangeable drum drive gear cases.	
<b>MAINTENANCE</b>	No grease zerks, sealed bearing design reduces daily maintenance. Onboard backlapping standard.	
<b>GROUND SPEED</b>	<b>Mowing speed:</b> 2.0-3.5 mph (3.2-5.6 km/h). <b>Transport speed:</b> (maximum): 5.3 mph (8.5 km/h) with optional transport tires	
<b>TRACTION DRUM</b>	Dual position traction drum with positions for contour following or forward weight bias at higher heights of cut.	
<b>BRAKE</b>	Service/parking - band type.	
<b>CONTROLS</b>	Start/On/Off ('ignition') switch, LCD Information Center (reports multiple parameters including hours, battery life, faults, diagnostics, backlap control, etc.) throttle, dual function traction/safety bail, reel engage lever, service/parking brake lever, optional light switch.	
<b>HANDLE</b>	Loop handle with telescoping adjustment of 5" (12.7 cm) total travel, rubber isolated to minimize operator influence during mowing.	
<b>TRANSPORT TIRES/KICKSTAND</b>	Quick detachable 3.00/3.25 x 6 pneumatic (optional). Loop style with service position lock.	
<b>CUTTING UNIT OPTIONS</b>	8, 11 or 14-blade cutting unit options.	8 or 11-blade cutting unit options.
<b>CUTTING UNIT ATTACHMENT</b>	Detachable cutting unit allows easy removal for service / maintenance or cutting unit exchange for different applications.	
<b>WIDTH OF CUT</b>	21" (53.3 cm)	26" (66cm)
<b>HEIGHT OF CUT RANGE</b>	<b>For Greens:</b> (Drum Position One) 0.062" to 0.312" (1.5 mm to 8 mm) <b>For Tees:</b> (Drum Position Two) 0.25" to 0.625" (6 mm to 16 mm) <b>High Height of Cut Kit:</b> (Drum Position Two) 1.18" (30 mm)	
<b>CUTTING UNIT DRIVE</b>	Quick-change dual speed gear drive combined with positive drive belt for (4) possible reel speed/clip settings.	
<b>FRONT ROLLER</b>	Front Roller: Optional – must be ordered.	
<b>WEIGHT</b> <small>WITH 11-BLADE CU AND ALUMINUM WIEHLE ROLLER</small>	240 lbs. (109 kg)	256 lbs. (116.1 kg)
<b>CERTIFICATION /WARRANTY</b>	Designed in accordance to ANSI/CE/WEEE/ROHS/C-TICK. Four-year warranty on Lithium-Ion Battery. Refer to the Operator's Manual for further details.	

## GREENSMAS<sup>T</sup>ER e1021 ACCESSORIES

CUTTING UNITS & REEL OPTIONS	
04832	8-Blade DPA EdgeSeries™ Cutting Unit
04833	11-Blade DPA EdgeSeries™ Cutting Unit
04834	14-Blade DPA EdgeSeries™ Cutting Unit

GROOMER OPTIONS	
04707	Universal Groomer Drive
04270	Grooming Brush – Soft
04271	Grooming Brush – Stiff
04802	Twin Tip Groomer Blade Assembly

BEDKNIFE OPTIONS	
115-1880	EdgeMax™ Microcut (standard)
108-4303	Extended Microcut
108-4302	Extended Tournament
115-1881	EdgeMax™ Tournament
139-4320	EdgeMax™ Short Microcut
139-4321	EdgeMax™ Short Tournament
137-6092	EdgeMax™ Fairway Bedknife
137-6097	Fairway
93-4262	Microcut
93-4263	Tournament
93-4264	Low Cut
94-6392	High Cut

TRACTION UNIT ACCESSORIES	
04135	LED Light Kit
04138	Cutting Unit Light Kit Mount
04136	Push Broom Kit
04123	Wheel Kit
139-4342	Backlap Access Kit
115-4754	Wireless Hour Meter
99-4286	High Height of Cut Bracket
04066	650W Charger
04091	900W Charger

ROLLER OPTIONS	
04805	Interlaced Narrow Wiehle Roller
04815	Full Front Roller
04141	Extended Narrow Wiehle Roller
04028	Paspalum Wiehle Roller
04249	Split Front Roller – Full
04250	Split Narrow Wiehle Roller
04825	Wide Wiehle Roller
115-7361	Auxiliary Roller Extension Kit
140-3363	Interlaced Narrow Wiehle Roller – Heavy

SCRAPER/BRUSH OPTIONS	
139-4383	Interlaced Narrow Wiehle Roller Scraper/Brush
139-4385	Interlaced Narrow Wiehle Roller Scraper
115-7378	Wide Wiehle Roller Scraper/Brush
125-3504	Wide Wiehle Roller Scraper
115-7379	Full Roller Scraper/Brush
125-3505	Full Roller Scraper

TOOLS AND MAINTENANCE OPTIONS	
04399	Turf Evaluator
125-5610	Paper – Reel
140-5531	Shim – Reel
94-9010	Height of Cut Adjustment Bar
131-6828	Angle Indicator
131-6829	Mount-Angle Indicator

## GREENSMAS<sup>T</sup>ER e1026 ACCESSORIES

CUTTING UNITS & REEL OPTIONS	
04842	8-Blade DPA EdgeSeries™ Cutting Unit
04843	11-Blade DPA EdgeSeries™ Cutting Unit

GROOMER OPTIONS	
04707	Universal Groomer Drive
04276	Grooming Brush – Stiff
04803	Twin Tip Groomer Blade Assembly

BEDKNIFE OPTIONS	
117-1548	EdgeMax™ Tournament (standard)
139-4322	EdgeMax™ Short Microcut
139-4323	EdgeMax™ Short Tournament
139-4324	EdgeMax™ Microcut
107-8181	Fairway
112-9275	Microcut
94-5885	Tournament
93-9015	Low Cut
104-2646	High Cut

TRACTION UNIT ACCESSORIES	
04135	LED Light Kit
04138	Cutting Unit Light Kit Mount
04136	Push Broom Kit
139-4342	Backlap Access Kit
139-4369	Wireless Hour Meter Kit
99-4286	High Height of Cut Bracket
04123	Wheel Kit
04066	650W Charger
04091	900W Charger

ROLLER OPTIONS	
04806	Interlaced Narrow Wiehle Roller
04816	Full Front Roller
04146	Long Narrow Wiehle Roller
04826	Wide Wiehle Roller
115-7361	Auxiliary Roller Extension Kit

SCRAPER/BRUSH OPTIONS	
139-5125	Interlaced Narrow Wiehle Roller Scraper/Brush
139-4394	Interlaced Narrow Wiehle Roller Scraper
139-7410	Wide Wiehle Roller Scraper/Brush
139-7406	Wide Wiehle Roller Scraper
139-5117	Full Roller Scraper/Brush
139-4398	Full Roller Scraper

TOOLS AND MAINTENANCE OPTIONS	
04399	Turf Evaluator
125-5610	Reel Paper – (10 Pack)
140-5531	Reel Shim
131-6828	Angle Indicator
131-6829	Angle Indicator Mount
94-9010	Height of Cut Bar

\*Specifications and design subject to change without notice. Products depicted in this literature are for demonstration purposes only. Actual products offered for sale may vary in design, required attachments and safety features. Consult your local Toro Distributor.

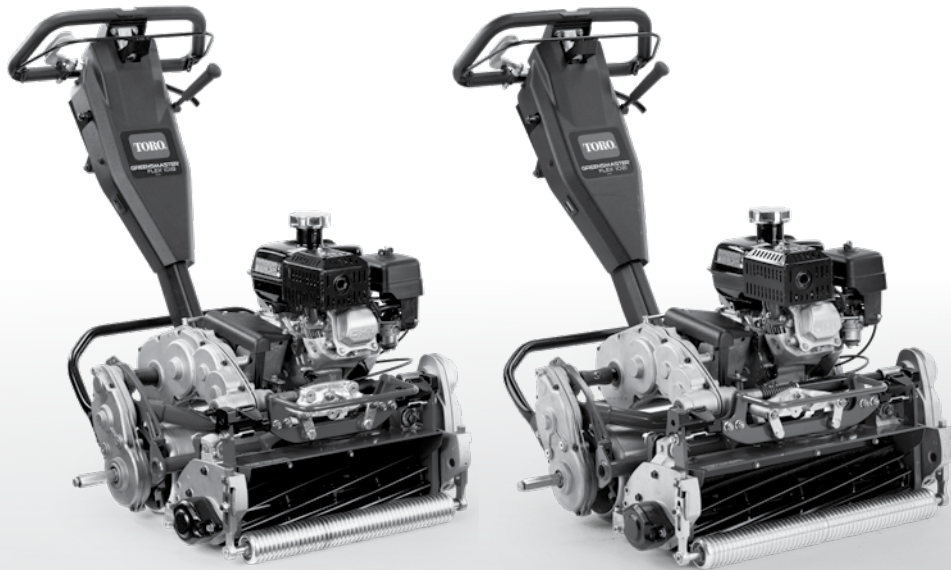






## Greensmaster® Flex™ 1018 & 1021

The Toro Flex Series mowers deliver the standard of pristine greens that top courses demand. Offering the choice of 18" (45.7 cm) or 21" (53.3 cm) width of cut, the Greensmaster Flex 1018 and Flex 1021 models include a patented Flex suspension. This allows the cutting unit to easily follow the contours of the green – delivering a superior quality of cut. Both models boast innovative controls and design features that synchronize the operator and the machine to help eliminate operator influences on cut consistency. The Greensmasters feature a telescoping loop handle that customizes in seconds to an individual operator's size for comfort to reduced fatigue, ensuring a consistent, immaculate cut. These units are designed for minimal maintenance for a long, productive life to save labor and operational costs.





# Greensmaster® Flex™ 1018 & 1021 Specifications

	GREENSMaster FLEX 1018, MODEL 04850*	GREENSMaster FLEX 1021, MODEL 04860*
<b>ENGINE</b>	Honda GX120 - 3.5 hp (2.6 kW) @3600 rpm, gasoline with integral lighting coil.	
<b>FUEL CAPACITY</b>	2.1 qts (2L)	
<b>FRAME</b>	Fully modular design allows quick disassembly for service / maintenance of all major components.	
<b>TRACTION DRIVE</b>	Full gear drive transmission with integral traction differential and traction drive disconnect to ease movement during service/maintenance operations. Interchangeable drum drive gear cases.	
<b>TRACTION DRUM</b>	Tapered traction drum for improved after cut appearance.	
<b>GROUND SPEED</b>	<b>Mowing Speed:</b> 2.0 mph (3.2 km/h) to 3.5 mph (5.6 km/h)	<b>Transport Speed (maximum):</b> 5.3 mph (8.5 km/h) with optional transport tires.
<b>CLUTCH</b>	Externally-mounted two sided dry disc clutch actuated by dual motion bail.	
<b>BRAKE</b>	Service/parking – band type.	
<b>CUTTING UNIT DRIVE</b>	Quick-change dual-speed gear drive, combined with positive drive belt – 4 possible reel speeds/clip settings.	
<b>CUTTING UNIT ATTACHMENT</b>	Tool-free cutting unit removal for service/maintenance or cutting unit exchange for different uses.	
<b>CUTTING UNIT OPTIONS</b>	14-blade cutting unit	11-blade or 14-blade cutting unit
<b>CONTROLS</b>	<b>Engine mounted:</b> recoil starter, choke, fuel shutoff. <b>Handle mounted:</b> on/off switch, throttle lever, dual motion traction / safety bail, reel engage lever, service/park brake lever, hour meter, whiteboard, light switch (optional).	
<b>HANDLE</b>	Loop handle with telescoping adjustment of 5" (12.7 cm) total travel, rubber isolated to minimize operator influence during mowing.	
<b>TRANSPORT TIRES / KICKSTAND</b>	Optional – Two, quick-detachable pneumatic tires (3.00X3.25-6). Kickstand is standard.	
<b>WIDTH OF CUT</b>	18" (45.7 cm)	21" (53.3 cm)
<b>HEIGHT OF CUT RANGE</b>	<b>For Greens:</b> (Spacer Position One) 0.062" to 0.250" (1.5 mm to 6 mm) <b>For Tees:</b> (Spacer Position Two) 0.125" to 0.375" (3 mm to 9 mm) <b>High Height of Cut Kit:</b> 0.375 to 1.00" (9 mm to 25 mm)	
<b>WEIGHT</b>	280 lbs. (127 kg) with 14-blade cutting unit, aluminum Wiehle roller.	286 lbs. (130 kg) with 11-blade cutting unit, aluminum Wiehle roller.
<b>MAINTENANCE REQUIREMENTS</b>	No daily greasing required.	
<b>CERTIFICATION</b>	Designed in accordance to applicable ANSI and CE specifications.	
<b>WARRANTY</b>	Two-year limited warranty. Refer to the Operator's Manual for further details.	

## GREENSMaster FLEX 1018 ACCESSORIES

CUTTING UNITS & REEL OPTIONS		GROOMER OPTIONS	
04854	14-Blade Flex ES Cutting Unit	04648	Universal Groomer Drive
<b>BEDKNIFE OPTIONS</b>		04801	Twin Tip Groomer Blade ASM
117-1530	EdgeMax™ Microcut Bedknife	04268	Grooming Brush – Soft
110-2300	Extended Microcut Bedknife	04269	Grooming Brush – Stiff
110-2301	Lowcut Bedknife	<b>FRONT ROLLER SCRAPER/BRUSH OPTIONS</b>	
117-1532	EdgeMax™ Tournament Bedknife	120-9615	Narrow Wiehle Roller Scraper Kit
139-4318	EdgeMax™ Short Microcut Bedknife	120-9621	Narrow Wiehle Roller Scraper/Brush Kit
139-4319	EdgeMax™ Short Tournament Bedknife	120-9616	Wide Wiehle Roller Scraper Kit
98-7260	Tournament Bedknife	120-9622	Wide Wiehle Roller Scraper/Brush Kit
98-7261	Microcut Bedknife	120-9617	Full Smooth Roller Scraper Kit
<b>FRONT ROLLER OPTIONS</b>		120-9623	Full Smooth Roller Scraper/Brush Kit
04026	Narrow Wiehle Roller ASM	<b>TRACTION UNIT ACCESSORIES</b>	
140-3441	Wide Wiehle Roller ASM	04135	LED Light Kit
04814	Full Roller ASM	04138	Cutting Unit Light Kit Mount
140-9214	Extended Narrow Wiehle Roller ASM	04136	Push Broom Kit
115-7361	Roller Extension Kit	04123	Wheel Kit
<b>REAR ROLLER OPTIONS</b>		120-9600	High Height of Cut Kit
120-9627	Rear Roller & Scraper Kit	139-4342	Backlap Access Kit
140-5590	Rear Roller Scraper Kit	139-4369	Wireless Hour Meter
121-4682	Full Roller (Steel)	<b>TOOLS AND MAINTENANCE OPTIONS</b>	
120-9602	DPA Rear Roller Adjustment Kit	04399	Turf Evaluator
		125-5610	Paper – Reel
		140-5531	Shim – Reel
		94-9010	Height of Cut Adjustment Bar
		131-6828	Angle Indicator
		131-6829	Mount-Angle Indicator

## GREENSMaster FLEX 1021 ACCESSORIES

CUTTING UNITS & REEL OPTIONS		GROOMER OPTIONS	
04863	11-Blade Flex ES Cutting Unit	04648	Universal Groomer Drive
04864	14-Blade Flex ES Cutting Unit	04802	Twin Tip Groomer Blade ASM
<b>BEDKNIFE OPTIONS</b>		04270	Grooming Brush – Soft
115-1880	EdgeMax™ Microcut Bedknife	04271	Grooming Brush – Stiff
108-4303	Extended Microcut Bedknife	<b>FRONT ROLLER SCRAPER OPTIONS</b>	
108-4302	Extended Tournament Bedknife	125-3503	Narrow Wiehle Roller Scraper Kit
115-1881	EdgeMax™ Tournament Bedknife	115-7377	Narrow Wiehle Roller Scraper/Brush Kit
139-4320	EdgeMax™ Short Microcut Bedknife	125-3504	Wide Wiehle Roller Scraper Kit
139-4321	EdgeMax™ Short Tournament	115-7378	Wide Wiehle Roller Scraper/Brush Kit
137-6092	EdgeMax™ Bedknife Fairway Bedknife	125-3505	Smooth Roller Scraper Kit
137-6097	Fairway Bedknife	115-7379	Smooth Roller Scraper/Brush Kit
93-4262	Microcut Bedknife	<b>TRACTION UNIT ACCESSORIES</b>	
93-4263	Tournament Bedknife	04135	LED Light Kit
93-4264	Low Cut Bedknife	04138	Cutting Unit Light Kit Mount
94-6392	High Cut Bedknife	04136	Push Broom Kit
<b>FRONT ROLLER OPTIONS</b>		04123	Wheel Kit
04027	Narrow Wiehle Roller ASM	139-4342	Backlap Access Kit
04825	Wide Wiehle Roller ASM	120-9600	High Height of Cut Kit
04815	Full Roller ASM	139-4369	Wireless Hour Meter
04028	Paspalum Roller ASM	<b>TOOLS AND MAINTENANCE OPTIONS</b>	
04029	Extended Narrow Wiehle Roller ASM	04399	Turf Evaluator
04249	Split Full Roller ASM	125-5610	Paper – Reel
04250	Split Narrow Wiehle Roller ASM	140-5531	Shim – Reel
107-3514	Narrow Wiehle Roller ASM – Steel	94-9010	Height of Cut Adjustment Bar
115-7361	Roller Extension Kit	131-6828	Angle Indicator
<b>REAR ROLLER OPTIONS</b>		131-6829	Mount-Angle Indicator
115-7383	Rear Roller & Scraper Kit		
121-2260	Rear Roller Scraper Kit		
140-5560	Full Roller (Steel)		
120-9602	DPA Rear Roller Adjustment Kit		

\*Specifications and design subject to change without notice. Products depicted in this literature are for demonstration purposes only. Actual products offered for sale may vary in use, design, required attachments and safety features. Consult your local Toro Distributor.

The Greensmaster Flex 1018 & 1021 are manufactured in Tomah, WI ISO 9002 Certified Plant.





**TORO®**

## **Greensmaster® eFlex™ 1021**

Extremely quiet and emission-free, the all-electric Toro® Greensmaster® eFlex™ 1021 is built with a patented Flex suspension allowing the cutting unit to easily follow the contours of the green - delivering a superior quality of cut. The eFlex offers a 21" (53.3 cm) cutting width and is among the quietest and most efficient walk greensmowers on the market today. Harnessing the power of lithium-ion battery technology, the eFlex 1021 takes electrical efficiency to a new level, allowing operators to mow up to 35,000 sq. ft. (over 3000 square meters) of turf on a single charge.



GREENSMaster eFLEX 1021, MODEL 04865*	
<b>POWER</b>	Lithium-Ion battery pack – nominal 51.4-Volt 28.4 A-Hr (1.51 kW-hr) with integrated battery management system utilizing CAN communication with the machine controller and charger. Single battery affixed to unit and charged onboard.
<b>ELECTRIC MOTOR</b>	Brushless permanent magnet DC motor with separable motor controller and helical gear reduction.
<b>BATTERY CHARGER</b>	Voltage and current controlled with CAN communication to manage battery health. Complies to max voltage and current limits directed by the battery management system. Off-board high efficiency 650W smart charger. •AC input voltage 100-240VAC •AC input Frequency 50/60 Hz •Max input Current 7.5 A •Max charge time, empty to full: 4 hours
<b>FRAME</b>	Fully modular design allows quick disassembly for service/maintenance of all major components.
<b>TRANSMISSION</b>	Permanent Magnet DC motor directly coupled to a fully gear-driven transmission with integral traction differential and traction disconnect to ease movement during service/maintenance operations. Interchangeable drum drive gear cases.
<b>MAINTENANCE</b>	No grease zerks, sealed bearing design reduces daily maintenance. Onboard backlapping standard.
<b>GROUND SPEED</b>	<b>Mowing speed:</b> 2.0-3.5 mph (3.2-5.6 km/h). <b>Transport speed:</b> (maximum): 5.3 mph (8.5 km/h) with optional transport tires.
<b>TRACTION DRUM</b>	Tapered traction drum for improved after cut appearance.
<b>BRAKE</b>	Service/parking - band type.
<b>CONTROLS</b>	Start/On/Off (ignition) switch, LCD Information Center (reports multiple parameters including hours, battery life, faults, diagnostics, backlap control, etc.) throttle, dual function traction/safety bail, reel engage lever, service/parking brake lever, optional light switch.
<b>HANDLE</b>	Loop handle with telescoping adjustment of 5" (12.7 cm) total travel, rubber isolated to minimize operator influence during mowing.
<b>TRANSPORT TIRES/KICKSTAND</b>	Quick detachable 3.00/3.25 x 6 pneumatic (optional). Loop style with service position lock.
<b>CUTTING UNIT OPTIONS</b>	11 or 14-blade cutting unit options. Tool-free cutting unit removal for service/maintenance or cutting unit exchange for different applications.
<b>CUTTING UNIT ATTACHMENT</b>	Semi-floating cutting unit separable from drive unit, pivoting around reel centerline (pitch axis) and pivoting around bedknife centerline side to side (roll axis).
<b>WIDTH OF CUT</b>	21" (53.3 cm)
<b>HEIGHT OF CUT RANGE</b>	<b>For Greens:</b> (Spacer Position One) 0.062" to 0.250" (1.5 mm to 6 mm) <b>For Tees:</b> (Spacer Position Two) 0.125" to 0.375" (3 mm to 9 mm) <b>High Height of Cut Kit:</b> 0.375 to 1.00" (9 mm to 25 mm)
<b>CUTTING UNIT DRIVE</b>	Quick-change dual speed gear drive combined with positive drive belt for (4) possible reel speed/clip settings.
<b>GRASS BASKET</b>	Molded polyethylene with integrated graphics highlighting overlap guidelines, vented for high-efficiency collection.
<b>ROLLERS</b>	Front Roller: Optional – must be ordered. Rear Roller: Aluminum full roller 2" (5.1 cm) diameter with sealed bearings.
<b>WEIGHT</b>	292 lbs. (132.5 kg) with 11-blade cu and aluminum wiehle roller.
<b>CERTIFICATION /WARRANTY</b>	Designed in accordance to ANSI/CE/WEEE/ROHS/C-TICK. Four-year warranty on Lithium-Ion Battery. Refer to the Operator's Manual for further details.

## GREENSMaster eFLEX 1021 ACCESSORIES

CUTTING UNITS & REEL OPTIONS	
04863	11-Blade Flex ES Cutting Unit
04864	14-Blade Flex ES Cutting Unit

BEDKNIFE OPTIONS	
115-1880	EdgeMax™ Microcut Bedknife
108-4303	Extended Microcut Bedknife
108-4302	Extended Tournament Bedknife
115-1881	EdgeMax™ Tournament Bedknife
139-4320	EdgeMax™ Short Microcut Bedknife
139-4321	EdgeMax™ Short Tournament Bedknife
137-6092	EdgeMax™ Fairway Bedknife
137-6097	Fairway Bedknife
93-4262	Microcut Bedknife
93-4263	Tournament Bedknife
93-4264	Low Cut Bedknife
94-6392	High Cut Bedknife

FRONT ROLLER OPTIONS	
04027	Narrow Wiehle Roller ASM
04825	Wide Wiehle Roller ASM
04815	Full Roller ASM
04028	Paspalum Roller ASM
04029	Extended Narrow Wiehle Roller ASM
04249	Split Full Roller ASM
04250	Split Narrow Wiehle Roller ASM
107-3510	Narrow Wiehle Roller ASM – Steel
115-7361	Roller Extension Kit

REAR ROLLER OPTIONS	
115-7383	Rear Roller & Scraper Kit
121-2260	Rear Roller Scraper Kit
140-5560	Full Roller (Steel)
120-9602	DPA Rear Roller Adjustment Kit

GROOMER OPTIONS	
04648	Universal Groomer Drive
04802	Twin Tip Groomer Blade ASM
04270	Grooming Brush – Soft
04271	Grooming Brush – Stiff

FRONT ROLLER SCRAPER OPTIONS	
125-3503	Narrow Wiehle Roller Scraper Kit
115-7377	Narrow Wiehle Roller Scraper/Brush Kit
125-3504	Wide Wiehle Roller Scraper Kit
115-7378	Wide Wiehle Roller Scraper/Brush Kit
125-3505	Full Roller Scraper Kit
115-7379	Full Roller Scraper/Brush Kit

TRACTION UNIT ACCESSORIES	
04135	LED Light Kit
04138	Cutting Unit Light Kit Mount
04136	Push Broom Kit
04123	Wheel Kit
139-4342	Backlap Access Kit
139-4369	Wireless Hour Meter
120-9600	High Height of Cut Kit
04066	650W Charger
04091	900W Charger

TOOLS AND MAINTENANCE OPTIONS	
04399	Turf Evaluator
125-5610	Paper – Reel
140-5531	Shim – Reel
94-9010	Height of Cut Adjustment Bar
131-6828	Angle Indicator
131-6829	Mount-Angle Indicator

\*Specifications and design subject to change without notice. Products depicted in this literature are for demonstration purposes only. Actual products offered for sale may vary in design, required attachments and safety features. Consult your local Toro Distributor.

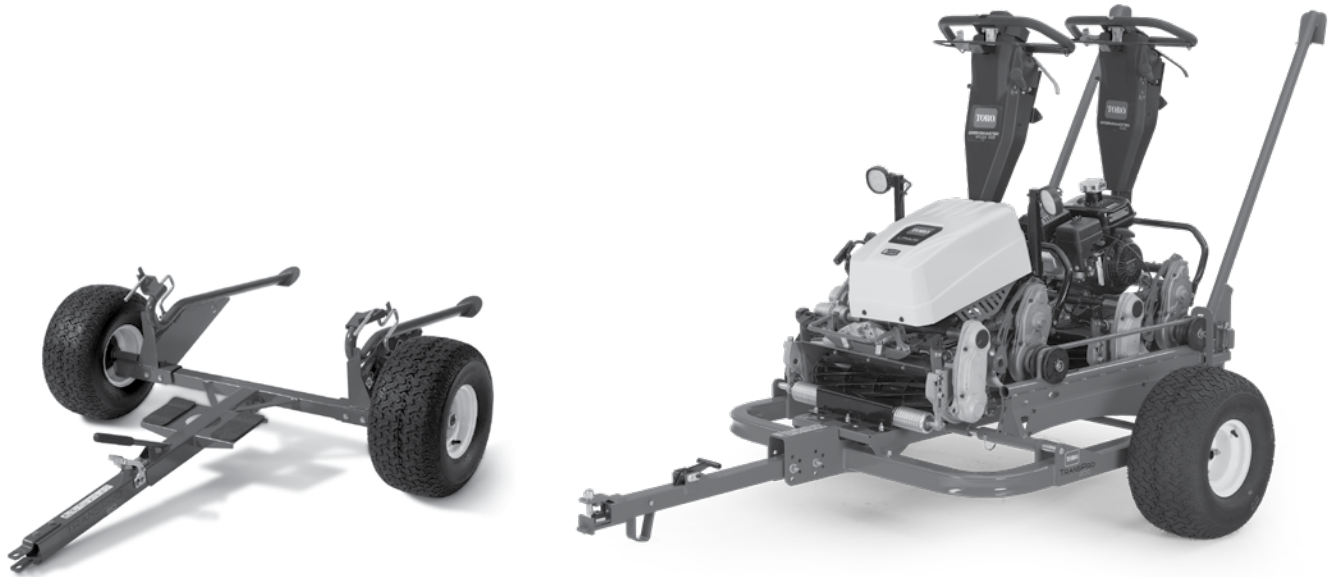






# TransPro® 80 / 200

Safely and easily transports one or two walk greensmowers to and from the mowing area.



	TRANSPRO 80, MODEL 04238*	TRANSPRO 200, MODEL 04239*
<b>LOAD CAPACITY</b>	400 lbs. (181.6 kg) including weight of trailer	1,150 lbs. (522 kg) including weight of trailer
<b>SUSPENSION</b>	Large low pressure tires (20 x 10-8)	
<b>TRANSPORT SPEED</b>	Maximum of 15 mph (24 km/h)	
<b>RAMP</b>	Textured split ramp design with detented wheel retainers	Textured split ramp design with spring-loaded ramp retainers for storage during transport operation
<b>RAIL</b>	Textured loading rails for use in conjunction with smaller bogey (donut) wheels in place of transport tires.	
<b>HITCH</b>	Pin type hitch is standard; tongue is 2.5" (6.4 cm) wide and adjustable in length (will accept standard ball hitch)	2.5" (6.4 cm) Adjustable hitch height for level towing and loading. Pin release is incorporated into lift handle.
<b>TOWING</b>	Designed to tow behind a utility vehicle with tongue height 7"-13" (18-33 cm); maximum tongue load 55 lbs. (25 kg)	
<b>RETENTION METHOD</b>	Quick latch mower caddy, wheel/donut retainer, and retention straps to maintain upright mower orientation	Adjustable front roller pockets and wheel/donut retainer positively secure mower for transport
<b>FINISH</b>	Rust/corrosion-resistant paint	
<b>AXLES</b>	Heavy-duty stub. Greaseable	Heavy-duty stub. Maintenance-free sealed bearings.
<b>DIMENSIONS</b>	Height: 19" (48.3 cm) Width: 62" (157.5 cm) Length: 81" (205.7 cm)	Height: 61" (154.9 cm) Width: 68" (172.7 cm) Length: 108" (274 cm)
<b>TRAILER WEIGHT</b>	Ramp configuration: 147 lbs (67 kg) Rail configuration: 136 lbs (62 kg)	Ramp configuration: 389 lbs (176kg) Rail configuration: 329 lbs (149 kg)
	Easily adjustable to fit all Toro walk greensmowers (optional axle kit may be required)	Easily adjustable to fit all 18" and 21" Toro walk greensmowers. (not recommended for Greensmaster® 1600 or 1026)

TRANSPRO 80 ACCESSORIES	TRANSPRO 200 ACCESSORIES
04245 Flat Ramp Kit	04219 Wheel Loading Kit
04247 Rail Ramp Kit	04229 Rail Loading Kit
107-8188 Hitch Kit	144-5668 Axle kit - Greensmaster Flex18/21
136-7287 Extended Axle for Rail Ramp Using 04648 Groomer for Flex18XX/21XX units	144-5664 Axle kit - Greensmaster Flex 18XX/21XX
139-6478 Extended Axle Shaft - 1018/1021/1026 fixed head units with groomer	144-5663 Axle kit - Greensmaster 800/1000 Series
139-2732 Extended Axle Shaft - 1018/1021 Flex head units with groomer	145-0058 - Bogey Wheel
145-0058 - Bogey Wheel	

\*Specifications and design subject to change without notice. Products depicted in this literature are for demonstration purposes only. Actual products offered for sale may vary in use, design, required attachments and safety features. Consult your local Toro Distributor.





## Greensmaster® 3150-Q

The Greensmaster 3150-Q is distinguished for its field-proven performance and exceptional quality of cut. Equipped with patented DPA cutting units for a superior cut and minimal maintenance, convenient controls for easy operation, and ample power to handle any application – it's no wonder this classic model has been trusted over the years to deliver the performance golf courses demand with a putting surface that exceeds expectations.





# Greensmaster® 3150-Q Specifications

GREENSMaster 3150-Q, MODEL 04358*	
<b>ENGINE</b>	18 hp (13.4 kW) @3600 rpm, Briggs & Stratton® air-cooled gasoline engine, governed to 2850 rpm high idle, 1650 rpm low idle.
<b>FUEL CAPACITY</b>	7 gallon (26.5 liter) capacity; unleaded gasoline.
<b>TRACTION DRIVE</b>	Hydraulic piston pump, closed loop system. 2WD Parallel Hydrostatic or optional 3WD Series Parallel piston pump closed loop system. Foot pedal forward and reverse; infinitely variable.
<b>GROUND SPEED</b>	Forward-mowing speed is variable from 2-5 mph (3.2-8 km/h), adjusted by stop on pedal mechanism. Mow speed setting does not affect transport speed. Maximum Greensmaster 3150-Q transport speed is 10 mph (16.1 km/h), may be reduced by adjusting stop in footrest pan without affecting mow speeds.
<b>TURF COMPACTION</b>	8-12 psi (.55-.83 bar) (dependent on tire pressure) with operator and cutting units down.
<b>IMPLEMENT DRIVE</b>	Single gear pump, mono valve block, series reel drive to 3 motors.
<b>STEERING</b>	Power steering. Adjustable steering wheel tilt and a 5-position steering arm tilt.
<b>CONTROLS/GAUGES</b>	Raise/lower-mow lever (joystick). Functional control lever (neutral, mow, transport). Foot operated traction drive and brakes. Hour meter. Hand operated throttle and choke. Mechanical engine speed control.
<b>ELECTRICAL FEATURES</b>	12-volt lead acid, group size U1, with 300 minimum cold cranking amps at 0° F. 16 amp alternator. Ignition switch/key. Seat switch. Harness terminals and fuse slot available for optional lights installation.
<b>TIRES/WHEELS/PRESSURE</b>	Three 18 x 10.5-8, 4-ply pneumatic tubeless demountable and interchangeable with smooth tread. 8-12 psi front; 8-15 psi rear. Optional Traction Tire (4-ply): P/N 119-3516.
<b>BRAKES</b>	Foot activated with two 6" (15.2 cm) drum type brakes mounted on the front wheel motors.
<b>HYDRAULIC OIL</b>	7.5 gallon (28.4 liter) tank with internal baffle. 1.0 gallon (3.8 liter) auxiliary tank.
<b>LEAK DETECTION</b>	Equipped with Turf Guardian™ leak detection system.
<b>SOUND LEVEL</b>	82 dB(A) at operator's ear under normal conditions.
<b>OVERALL DIMENSIONS</b>	Wheel Tread: 49.5" (149.9 cm), Wheel Base: 47" (119 cm), Length: 90" (229 cm), Width: 69.7" (177 cm) w/reels, Height: 74.5" (189 cm), Weight: 1,087 lbs. (493 kg).
<b>WIDTH OF CUT</b>	59" (150 cm)
<b>REEL SPEED</b>	Approximately 1975 RPM at 2850 engine RPM. Adjustable.
<b>BACKLAPPING</b>	Standard equipment.
<b>CUTTING UNIT SUSPENSION</b>	Cutting units are completely free-floating, each attaching to the tractor by direct pull links and lifted by a centered lift arm. Baskets are supported by carrier frames that are ground following. Cutting unit floatation is unaffected by basket content. Grass baskets are all interchangeable and accessible from the front of the machine.
<b>ROPS</b>	Roll Over Protection System standard.
<b>CERTIFICATION</b>	Certified to meet ANSI specification B71.4-2012 and European CE standards with appropriate kits installed.
<b>WARRANTY</b>	Two-year limited warranty. Refer to the Operator's Manual for further details.

	8 BLADE DPA CUTTING UNITS	11-BLADE DPA CUTTING UNITS	14-BLADE CUTTING UNITS
<b>DESIGN</b>	Patented design allowing reel/bedknife behind centerline aggressiveness to maintain constant through the service life of the reel.		
<b>HEIGHT OF CUT (HOC) RANGE</b>	Cutting height is adjusted on front roller by two vertical screws and held by two locking cap screws. Bench HOC range is .062"-.297" (1.6-7.5 mm). With high HOC kit, range is .297-1.0" (7.5-25.4 mm). Effective HOC may vary depending on turf conditions and bedknife installed.		
<b>REEL WELDMENT</b>	Reels are 5" (13 cm) in diameter, 21" (53.3 cm) in length. <b>EdgeSeries™</b> Reels blades are welded to 5 stamped steel spiders, and heat treated. The reel is ground for diameter and concentricity, and relief ground.		
<b>REEL BEARINGS</b>	Two stainless steel ball bearings, 30 +/- .1 mm inside diameter slip fit onto reel shaft retained by internally splined threaded insert. Low drag seals/slingers for added protection with o-ring sealed motor and counterweight. Reel position maintained by a wave washer with no adjusting nut.		
<b>MAINTENANCE</b>	No grease zerks, sealed bearing design eliminates daily maintenance.		
<b>REEL DRIVE</b>	The reel weldment shaft is a 1.375" (35 mm) diameter tube with internally splined threaded insert.		
<b>FRAME</b>	Precision machined, die-cast aluminum cross member with two bolt-on die-cast aluminum side plates.		
<b>BEDKNIFE</b>	Replaceable single edged EdgeMax™ Microcut Bedknife is standard.		
<b>BEDKNIFE ADJUSTMENT</b>	Dual screw, indexed "click" adjustment to the reel; detents corresponding to .0007" (.018 mm) bedknife movement for each position.		
<b>FRONT &amp; REAR ROLLERS</b>	Front: Not included with cutting unit, purchased separately. Option between full, narrow-spaced and wide-spaced Wiehle roller. Rear: Steel full, 2" (5.1 cm) diameter with sealed bearings and through-shaft.		
<b>GRASS SHIELD</b>	Non-adjustable shield with adjustable cut-off bar to improve grass discharge from reel in wet conditions.		
<b>TOTAL WEIGHT</b>	8-blade: 72 lbs. (32.7 kg) with aluminum Wiehle Roller. 11-blade: 75 lbs. (34 kg) with aluminum Narrow Wiehle Roller. 14-blade: 78 lbs. (35 kg) with aluminum Wiehle Roller.		

\*Specifications and design subject to change without notice. Products depicted in this literature are for demonstration purposes only. Actual products offered for sale may vary in use, design, required attachments and safety features. Consult your local Toro Distributor.





# Greensmaster® 3150-Q Accessories

## GREENSMaster 3150-Q ACCESSORIES\*

TRACTION UNIT ACCESSORIES	
04476	3-Wheel Drive Kit
04479	Thatching Reel (Set of 1)
119-3516	Traction Tire – 18" (45.7 cm)
04554	Light Kit
139-8580	Front light mounting kit
131-2048	Rear work light kit
130-6536	Hydraulic Oil Cooler Kit
104-6540	Spark Arrestor Screen
138-8579	Bimini Folding Shade
100-6442	2WD Weight Kit
99-1645	3WD Weight Kit
137-8130	Utility Bag Kit
133-1308	Seat cover
121-3658	RH Armrest
115-4754	Wireless Hour Meter

ROLLER OPTIONS	
04255	Front Narrow Wiehle Roller (set of 1)
04256	Front Wide Wiehle Roller (set of 1)
04257	Front Full Roller (set of 1)
04249	Split Full Front Roller
04250	Split Narrow Wiehle Roller
04628	Solid Steel Roller Kit (front Wiehle & rear steel rollers)
04629	Anti-Bobbing Roller Kit (front and rear)
71-1550	Cast Iron Rear Wiehle Roller
107-3514	Steel Wide Wiehle Roller
04258	Extended Narrow Wiehle Roller
04267	Narrow Wiehle Roller (for paspalum)
107-3510	Steel Narrow Wiehle Roller
140-5560	Steel Rear Roller (standard)
125-5180	DPA Rear Roller Extension Kit
120-9600	High Height of Cut Kit

CUTTING UNIT OPTIONS	
04652	EdgeSeries™ 8-Blade Cutting Unit
04654	EdgeSeries™ 11-Blade Cutting Unit
04656	EdgeSeries™ 14-Blade Cutting Unit

GROOMER OPTIONS	
04648	Universal Groomer Drive
04802	Groomer Reel
04270	Grooming Brush – Soft
04271	Grooming Brush – Stiff
106-2643	Groomer Pull Link Kit (Pre-2018 Models)
138-4976	Groomer Pull Link Kit (Post-2018 Models)

FRONT ROLLER SCRAPER OPTIONS	
125-3503	Narrow Wiehle Roller Scraper
125-3504	Wide Wiehle Roller Scraper
125-3505	Full Roller Scraper
115-7377	Narrow Wiehle Roller Scraper Brush
115-7378	Wide Wiehle Roller Scraper Brush
115-7379	Full Roller Scraper Brush
115-7380	Narrow Wiehle Roller Scraper Comb
115-7381	Wide Wiehle Roller Scraper Comb
115-7382	Full Roller Scraper Comb
107-9561	Anti-Bobbing Roller Scraper Kit (front and rear)

REAR ROLLER SCRAPER OPTIONS	
115-7383	Rear Roller & Scraper Kit
121-2260	Rear Roller Scraper Kit
04646	Spring Loaded Rear Roller Scraper (Set of 3)
04650	Rear Roller Brush Kit (Univ Groomer)
132-0723	RRB Adapter kit (04650 for RRB only)

BEDKNIFE & BEDBAR OPTIONS	
93-4262	Microcut Bedknife
93-4263	Tournament Bedknife
93-4264	Low Cut Bedknife
94-6392	High Cut Bedknife
137-6097	Fairway Bedknife
108-4303	Extended Microcut Bedknife
108-4302	Extended Tournament Bedknife
115-1880	EdgeMax™ Microcut Bedknife (Standard)
115-1881	EdgeMax™ Tournament Bedknife
137-6092	EdgeMax™ Fairway Bedknife
139-4320	EdgeMax™ Short Microcut Bedknife
139-4321	EdgeMax™ Short Tournament Bedknife
106-2648-01	Bedbar (Standard)
99-3794-0P	Aggressive Bedbar

THATCHING REEL ACCESSORIES	
117-6824	Thin dynaBlade, (1.2mm Thickness) (Individual)
119-1128	Regular dynaBlade, (2mm Thickness) (Individual)
117-6839	Replacement Kit, 1.2mm dynaBlade (36 Blades)
117-6840	Replacement Kit, 2mm dynaBlade (36 Blades)
121-6675	Spring Steel Kit
121-6674	Blade, Spring Steel

BIO-HYDRAULIC FLUID / HYDRAULIC FLUID / OIL	
119-2157	Bio-Hydraulic Fluid, 5 gal. (18.9 L)
119-2158	Bio-Hydraulic Fluid, 55 gal. (208.2 L)
133-8086	Premium Hydraulic Fluid, 5 gal. (18.9 L)
133-8087	Premium Hydraulic Fluid, 55 gal. (208.2 L)
121-6393	Premium Engine Oil SAE 30, 5 gal. (18.9 L)
121-6392	Premium Engine Oil SAE 30, 55 gal. (208.2 L)

TOOLS	
04399	Turf Evaluator
125-5610	Paper – Reel
140-5531	Shim – Reel
94-9010	Height of Cut Bar Assembly

\*Specifications and design subject to change without notice. Products depicted in this literature are for demonstration purposes only. Actual products offered for sale may vary in use, design, required attachments and safety features. Consult your local Toro Distributor.







## Greensmaster® 3250-D

Unmatched diesel power, innovative design and a lighter footprint make this the ideal greensmower for greens and surrounding areas.



# Greensmaster® 3250-D Specifications

GREENSMaster 3250-D, MODEL 04384*																					
<b>ENGINE</b>	Kubota® D902 tier 4i, 3-cylinder liquid-cooled diesel engine. 55.0 cu. in. (902 cc). Full pressure lubrication, oil filter. 24.8 hp (18.5 kW) @ 3600 rpm. Engine governed to 2760 rpm high idle, 1500 rpm low idle (no load).																				
<b>FUEL CAPACITY</b>	6 gallons (22.7 liters). Biodiesel-Ready for use up to B-20 (20% biodiesel and 80% petroleum blend).																				
<b>TRACTION DRIVE</b>	Hydraulic piston pump, closed loop system. 2WD Parallel Hydrostatic or optional 3WD Series Parallel piston pump closed loop system. Foot pedal forward and reverse; infinitely variable.																				
<b>GROUND SPEED</b>	Forward-mowing speed is variable from 2-5 mph (3.2-8 km/h), adjusted by stop on pedal mechanism. Mow speed setting does not affect transport speed. Maximum Greensmaster 3250-D transport speed is 10 mph (16.1 km/h), may be reduced by adjusting stop in footrest pan without affecting mow speeds.																				
<b>TURF COMPACTION</b>	8-12 psi (.55-.83 bar) average at recommended minimum tire pressures, with a 200 lb. operator, and cutting units down.																				
<b>STEERING</b>	Power steering. No-tool quick adjust steering arm position, with arm motion allowing a wide range of operator sizes. Steering cylinder has through shaft design for precise straight line tracking.																				
<b>CONTROLS/GAUGES</b>	Raise/lower-mow lever. Functional control lever (neutral, mow, transport). Foot operated traction drive and brakes. Hour meter and warning light cluster. Hand operated choke, throttle. Mechanical engine speed control.																				
<b>ELECTRICAL FEATURES</b>	Maintenance-free 12-volt battery with 530 minimum cold cranking amps at 0° F. 40 amp alternator, circuit fused at 40 amps. Ignition switch/key. Seat switch. High temperature engine kill override switch. Harness terminals, fuse slot, and console switch location available for optional lights installation.																				
<b>SOUND LEVEL</b>	84 dBA at operator ear under normal conditions.																				
<b>OVERALL DIMENSIONS</b>	<table border="0"> <tr> <td><b>Width of Cut:</b></td> <td>59.0" (150 cm)</td> <td><b>Overall Height:</b></td> <td>77.5" (197 cm)</td> </tr> <tr> <td><b>Wheel Tread:</b></td> <td>50.5" (128 cm)</td> <td><b>Net Weight (no fuel, no operator):</b></td> <td>1,216 lbs. (552 kg)</td> </tr> <tr> <td><b>Wheel Base:</b></td> <td>48.6" (123 cm)</td> <td><b>Reel Speed:</b></td> <td>Approx. 1,950 rpm @ 2760 rpm (Adjustable)</td> </tr> <tr> <td><b>Overall Length (w/baskets):</b></td> <td>93.9" (238 cm)</td> <td></td> <td></td> </tr> <tr> <td><b>Overall Width:</b></td> <td>68.0" (173 cm)</td> <td></td> <td></td> </tr> </table>	<b>Width of Cut:</b>	59.0" (150 cm)	<b>Overall Height:</b>	77.5" (197 cm)	<b>Wheel Tread:</b>	50.5" (128 cm)	<b>Net Weight (no fuel, no operator):</b>	1,216 lbs. (552 kg)	<b>Wheel Base:</b>	48.6" (123 cm)	<b>Reel Speed:</b>	Approx. 1,950 rpm @ 2760 rpm (Adjustable)	<b>Overall Length (w/baskets):</b>	93.9" (238 cm)			<b>Overall Width:</b>	68.0" (173 cm)		
<b>Width of Cut:</b>	59.0" (150 cm)	<b>Overall Height:</b>	77.5" (197 cm)																		
<b>Wheel Tread:</b>	50.5" (128 cm)	<b>Net Weight (no fuel, no operator):</b>	1,216 lbs. (552 kg)																		
<b>Wheel Base:</b>	48.6" (123 cm)	<b>Reel Speed:</b>	Approx. 1,950 rpm @ 2760 rpm (Adjustable)																		
<b>Overall Length (w/baskets):</b>	93.9" (238 cm)																				
<b>Overall Width:</b>	68.0" (173 cm)																				
<b>TIRES</b>	Three 19 x 10.5-8, 2 ply pneumatic tubeless demountable and interchangeable. Smooth tread (approx. 1290 rev/mile). 8-12 psi front; 8-15 psi rear.																				
<b>LEAK DETECTION</b>	Turf Guardian™ optional.																				
<b>BACKLAPPING</b>	Standard equipment.																				
<b>BRAKES</b>	Foot activated 6" (15.2 cm) drum type mechanical with rack and pawl lock for parking brake engagement.																				
<b>SEAT</b>	Contour seat with high backrest. 7" (17.8 cm) fore/aft slider adjustment with two mounting positions, allowing 9" (22.8 cm) total seat travel. Operator manual tube mounted on the seat back for easy access.																				
<b>ROPS</b>	Roll over protection system standard.																				
<b>CERTIFICATION</b>	Certified to meet ANSI specification B71.4-2012 and European CE standards with appropriate kits installed.																				
<b>WARRANTY</b>	Two-year limited warranty. Refer to the Operator's Manual for further details.																				

	8 BLADE DPA CUTTING UNITS	11-BLADE DPA CUTTING UNITS	14-BLADE CUTTING UNITS
<b>DESIGN</b>	Patented design allowing reel/bedknife behind centerline aggressiveness to maintain constant through the service life of the reel.		
<b>HEIGHT OF CUT (HOC) RANGE</b>	Cutting height is adjusted on front roller by two vertical screws and held by two locking cap screws. Bench HOC range is .062"-.297" (1.6-7.5 mm). With high HOC kit, range is .297-1.0" (7.5-25.4 mm). Effective HOC may vary depending on turf conditions and bedknife installed.		
<b>REEL WELDMENT</b>	Reels are 5" (13 cm) in diameter, 21" (53.3 cm) in length. <b>EdgeSeries™</b> Reels blades are welded to 5 stamped steel spiders, and heat treated. The reel is ground for diameter and concentricity, and backgrind.		
<b>REEL BEARINGS</b>	Two stainless steel ball bearings, 30 mm inside diameter slip fit onto reel shaft retained by internally splined threaded insert. Low drag seals/slingers for added protection with o-ring sealed motor and counterweight. Reel position maintained by a wave washer with no adjusting nut.		
<b>MAINTENANCE</b>	No grease zerks, sealed bearing design eliminates daily maintenance.		
<b>REEL DRIVE</b>	The reel weldment shaft is a 1.375" (35 mm) diameter tube with internally splined threaded insert.		
<b>FRAME</b>	Precision machined, die-cast aluminum cross member with two bolt-on die-cast aluminum side plates.		
<b>BEDKNIFE</b>	Replaceable single edged EdgeMax™ Microcut Bedknife is standard.		
<b>BEDKNIFE ADJUSTMENT</b>	Dual screw, indexed "click" adjustment to the reel; detents corresponding positively to .0007" (.018 mm) bedknife movement for each position.		
<b>FRONT &amp; REAR ROLLERS</b>	Front: Not included with cutting unit, purchased separately. Option between full, narrow-spaced and wide-spaced roller. Rear: Steel full, 2" (5.1 cm) diameter with sealed bearings and through-shaft.		
<b>GRASS SHIELD</b>	Non-adjustable shield with adjustable cut-off bar to improve grass discharge from reel in wet conditions.		
<b>TOTAL WEIGHT</b>	8-blade: 72 lbs. (32.7 kg) with aluminum Wiehle Roller. 11-blade: 75 lbs. (34 kg) with aluminum Narrow Wiehle Roller. 14-blade: 78 lbs. (35 kg) with aluminum Wiehle Roller.		

\*Specifications and design subject to change without notice. Products depicted in this literature are for demonstration purposes only. Actual products offered for sale may vary in use, design, required attachments and safety features. Consult your local Toro Distributor.





# Greensmaster® 3250-D Accessories

## GREENSMaster 3250-D ACCESSORIES\*

TRACTION UNIT ACCESSORIES	
04477	3-Wheel Drive Kit
04479	Thatching Reel (Set of 1)
104-7701	Hydraulic Oil Cooler Kit
04554	Light Kit
139-8580	Front light mounting kit
131-2048	Rear work light kit
120-1951	Spark Arrestor
04497	Leak Detector
112-0279	Front Wheel Weight Kit
100-6442	2WD Weight Kit
99-1645	3WD Weight Kit
100-6430	Hose Adapter Kit
105-9766	Radiator Screen Kit
104-9400	Ground Follow Kit
138-8579	Bimini Folding Shade
137-8130	Utility Bag Kit
133-1308	Seat cover
121-2058	Armrest Kit
115-4754	Wireless Hour Meter

ROLLER OPTIONS	
04255	Front Narrow Wiehle Roller (set of 1)
04256	Front Wide Wiehle Roller (set of 1)
04257	Front Full Roller (set of 1)
04249	Split Full Front Roller
04250	Split Narrow Wiehle Roller
04628	Solid Steel Roller Kit (front Wiehle & rear steel rollers)
04629	Anti-Bobbing Roller Kit (front and rear)
71-1550	Cast Iron Rear Wiehle Roller
107-3514	Steel Wide Wiehle Roller
04258	Extended Narrow Wiehle Roller
04267	Narrow Wiehle Roller (for paspalum)
107-3510	Steel Narrow Wiehle Roller
140-5560	Steel Rear Roller (standard)
125-5180	DPA Rear Roller Extension Kit
120-9600	High Height of Cut Kit

CUTTING UNIT OPTIONS	
04652	EdgeSeries™ 8-Blade Cutting Unit
04654	EdgeSeries™ 11-Blade Cutting Unit
04656	EdgeSeries™ 14-Blade Cutting Unit

GROOMER OPTIONS	
04648	Universal Groomer Drive
04802	Groomer Reel
04270	Grooming Brush – Soft
04271	Grooming Brush – Stiff
106-2643	Groomer Pull Link Kit (Pre-2018 Models)
138-4976	Groomer Pull Link Kit (Post-2018 Models)

FRONT ROLLER SCRAPER OPTIONS	
125-3503	Narrow Wiehle Roller Scraper
125-3504	Wide Wiehle Roller Scraper
125-3505	Full Roller Scraper
115-7377	Narrow Wiehle Roller Scraper Brush
115-7378	Wide Wiehle Roller Scraper Brush
115-7379	Full Roller Scraper Brush
115-7380	Narrow Wiehle Roller Scraper Comb
115-7381	Wide Wiehle Roller Scraper Comb
115-7382	Full Roller Scraper Comb
107-9561	Anti-Bobbing Roller Scraper Kit (front and rear)

REAR ROLLER SCRAPER OPTIONS	
115-7383	Rear Roller & Scraper Kit
121-2260	Rear Roller Scraper Kit
04646	Spring Loaded Rear Roller Scraper (Set of 3)
04650	Rear Roller Brush Kit (Univ Groomer)
132-0723	RRB Adapter kit (04650 for RRB only)

BEDKNIFE & BEDBAR OPTIONS	
93-4262	Microcut Bedknife
93-4263	Tournament Bedknife
93-4264	Low Cut Bedknife
94-6392	High Cut Bedknife
137-6097	Fairway Bedknife
108-4303	Extended Microcut Bedknife
108-4302	Extended Tournament Bedknife
115-1880	EdgeMax™ Microcut Bedknife (Standard)
115-1881	EdgeMax™ Tournament Bedknife
137-6092	EdgeMax™ Fairway Bedknife
139-4320	EdgeMax™ Short Microcut Bedknife
139-4321	EdgeMax™ Short Tournament Bedknife
106-2648-01	Bedbar (Standard)
99-3794-0P	Aggressive Bedbar

THATCHING REEL ACCESSORIES	
117-6824	Thin dynaBlade, (1.2mm Thickness) (Individual)
119-1128	Regular dynaBlade, (2mm Thickness) (Individual)
117-6839	Replacement Kit, 1.2mm dynaBlade (36 Blades)
117-6840	Replacement Kit, 2mm dynaBlade (36 Blades)
121-6675	Spring Steel Kit
121-6674	Blade, Spring Steel

BIO-HYDRAULIC FLUID / HYDRAULIC FLUID / OIL	
119-2157	Bio-Hydraulic Fluid, 5 gal. (18.9 L)
119-2158	Bio-Hydraulic Fluid, 55 gal. (208.2 L)
133-8086	Premium Hydraulic Fluid, 5 gal. (18.9 L)
133-8087	Premium Hydraulic Fluid, 55 gal. (208.2 L)
121-6393	Premium Engine Oil SAE 30, 5 gal. (18.9 L)
121-6392	Premium Engine Oil SAE 30, 55 gal. (208.2 L)

TOOLS	
04399	Turf Evaluator
125-5610	Paper – Reel
140-5531	Shim – Reel
94-9010	Height of Cut Bar Assembly

\*Specifications and design subject to change without notice. Products depicted in this literature are for demonstration purposes only. Actual products offered for sale may vary in use, design, required attachments and safety features. Consult your local Toro Distributor.





# Greensmaster® TriFlex® 3300/3320 Hybrid 3400/3420 Hybrid

The Greensmaster TriFlex and TriFlex Hybrid models are the first riding greens mowers delivering the productivity of a rider and the precision of a walker.





# Greensmaster® TriFlex®

## 3300/3320/3400/3420 Specifications

	GREENSMAS <sup>TM</sup> TER 3300 TriFlex, MODEL 04510*	GREENSMAS <sup>TM</sup> TER 3320 TriFlex Hybrid, MODEL 04530*	GREENSMAS <sup>TM</sup> TER 3400 TriFlex, MODEL 04520*	GREENSMAS <sup>TM</sup> TER 3420 TriFlex Hybrid, MODEL 04540*
<b>ENGINE</b>	Briggs & Stratton® Vanguard®, 23 HP (17.2 kW) @ 3600 rpm, 2-cylinder, air cooled, gasoline engine, governed to 2920 high idle, 1650 rpm low idle. Displacement: 38.3 cu-in. (627 cc)		Kubota® D902, Tier 4i, 24.8 HP (18.5 kW) @ 3600 rpm, 3-cylinder, liquid cooled, diesel engine, governed to 2880 high idle, 1560 rpm low idle. Displacement: 55.0 cu-in. (902 cc) Radiator: cooled with a 12-volt electric fan	
<b>FUEL CAPACITY</b>	6 gallons (22.7 liter) capacity.		6 gallons (22.7 liter) capacity. Biodiesel ready up to B20	
<b>TRACTION DRIVE</b>	2WD parallel hydrostatic or optional 3WD series-parallel piston pump closed loop system. Foot pedal forward and reverse; infinitely variable.			
<b>GROUND SPEED</b>	Forward-mowing speed is variable from 0-5 mph (0-8 km/h), adjusted by stop on pedal mechanism. Mow speed setting does not affect transport speed. Maximum Greensmaster TriFlex transport speed is 10 mph (16.1 km/h), may be reduced by adjusting stop in footrest pan without affecting mow speeds.			
<b>CUTTING UNIT DRIVE</b>	Single gear pump, valve block, series reel drive to 3 reel motors.	48V-5400 watt air-cooled brushless permanent magnet generator in parallel with 48V 9Ah battery set powers three 48V- 1100 watt brushless permanent magnet reel motors with separable controller.	Single gear pump, valve block, series reel drive to 3 reel motors.	48V-5400 watt air-cooled brushless permanent magnet generator in parallel with 48V 9Ah battery set powers three 48V- 1100 watt brushless permanent magnet reel motors with separable controller
<b>AUTOMATIC CLIP CONTROL</b>	N/A	Yes	N/A	Yes
<b>STEERING</b>	Power steering. No-tool quick adjust steering arm position with power assist, allowing a wide range of operator sizes. Steering cylinder has a through shaft design for precise straight line tracking.			
<b>ELECTRICAL SYSTEM</b>	12-volt lead acid, group size U1, with 300 minimum cold cranking amps at 0° F and 34 minutes reserve capacity at 85° F/25 amps draw. 50 amp alternator. Ignition switch/key. Seat switch. Harness terminals and fuse slot available for optional lights installation.		Maintenance-free 12-volt battery with 585 minimum cold cranking amps at 0° F (-17.7° C) and 95 minutes minimum reserve capacity at 85° F (29.4° C) 60 amp alternator, circuit fused at 60 amps. Ignition switch/key. Seat switch. High temperature engine shut down. Harness terminals, fuse slot, and console switch location available for optional lights installation.	
<b>48-VOLT SYSTEM FOR ELECTRIC REELS</b>	N/A	4-12V 9Ah sealed, maintenance-free, VRLA batteries. 48-volt system is isolated from 12-volt including the frame/chassis.	N/A	4-12V 9Ah sealed, maintenance-free, VRLA batteries. 48-volt system is isolated from 12-volt including the frame/chassis.
<b>CONTROLS</b>	Ignition: Off/Run/Start. Throttle: Low - High Idle. Choke (AC only): Open /Closes choke plate. Parking Brake: Off - On. Traction Pedal: Rev/Neutral/Forward Joystick: Raises/lowers reels also tap off feature for clean up pass. Functional Control Lever sets neutral/mow/transport limits for traction pedal. Diagnostic Light: Indicates system faults to assist in resolving issues (04510 & 04520). InfoCenter™ Diagnostics (04530 & 04540).			
<b>GAUGES</b>	Hour meter. Low oil pressure warning light.	InfoCenter™: Onboard LCD shows gauges, alerts/faults, service reminders, electrical system diagnostics, low oil pressure, alternator, engine hours, engine rpm, voltage, functional control status, parking brake applied, reel speed setting, backlap control. Clip control setting.	Hour meter, low oil pressure warning light, alternator warning light (on if not charging), glow plug indicator, high engine temperature.	InfoCenter™: Onboard LCD shows gauges, alerts/faults, service reminders, electrical system diagnostics, low oil pressure, alternator, engine hours, engine rpm, voltage, functional control status, parking brake applied, reel speed setting, backlap control. Clip control setting.
<b>TIRES/WHEELS/PRESSURE</b>	Three, 19 x 10.5 x 8, 4-ply rating pneumatic tubeless and demountable. Smooth tread. Tire pressure recommended: 12 - 18 psi front and rear.			
<b>BRAKES</b>	Hand-actuated parking brake lever with two 6" (15.2 cm) diameter drum brakes mounted on the front wheel motors.			
<b>HYDRAULIC OIL</b>	6.8 gallon (25.7 liter) tank	5.5 gallon (20.8 liter) tank	6.8 gallon (25.7 liter) tank	5.5 gallon (20.8 liter) tank
<b>LEAK DETECTION</b>	Equipped with Turf Guardian™ Leak Detection System. System sounds an alarm and turns on a warning light with the loss of 3 to 5 ounces of hydraulic oil.	Optional		
<b>SOUND LEVEL</b>	80 dB(A) at operator's ear under normal conditions.		84 dB(A) at operator's ear under normal conditions.	
<b>OVERALL DIMENSIONS</b>	Wheel Track: 50.5" (128.3 cm) Wheel Base: 47" (119 cm) Length: 98" (249 cm) Width: 70.62" (179 cm) w/reels Height: 80.83" (205 cm)	Wheel Track: 50.5" (128.3 cm) Wheel Base: 47" (119 cm) Length: 98" (249 cm) Width: 70.84" (180 cm) w/reels Height: 80.83" (205 cm)	Wheel Track: 50.5" (128.3 cm) Wheel Base: 48.6" (123 cm) Length: 98" (249 cm) Width: 70.62" (179 cm) w/reels Height: 80.83" (205 cm)	Wheel Track: 50.5" (128.3 cm) Wheel Base: 48.6" (123 cm) Length: 98" (249 cm) Width: 70.84" (180 cm) w/reels Height: 80.83" (205 cm)
<b>WEIGHT</b>	1161 lbs. (526 kg)	1257 lbs. (570 kg)	1286 lbs. (586 kg)	1406 lbs. (638 kg)
<b>WIDTH OF CUT</b>	59" (150 cm)			
<b>GROUND CLEARANCE</b>	4.5" (11.4 cm)			
<b>CUTTING UNIT SUSPENSION</b>	Double A-arm suspension utilizing sealed ball joints allows free cutting unit motion in pitch, roll, and yaw. The basket is directly mounted to the cutting unit displacing weight evenly over both cutting unit rollers eliminating the carrier frame, roller and pull links. Lift in Turn: Provides a level cut from side to side of cutting units regardless of turning angle (patented).			
<b>QUICK CONNECT CUTTING UNITS</b>	Quick connect/disconnect feature for both the reel drive motor and cutting unit. No tools required.			
<b>REEL SPEED</b>	Approximately 2050 RPM at 2850 engine RPM. Adjustable.			
<b>BACKLAPPING</b>	Standard equipment.			
<b>OPTIONAL ACCESSORIES</b>	Canopy, verticutters, 3WD, turf groomers, lights, greens rollers, dethatchers, oil cooler.			
<b>CERTIFICATION</b>	Certified to meet ANSI specification B71.4 - 2004 and European CE standards.			
<b>WARRANTY</b>	Two-year limited warranty. Refer to the Operator's Manual for further details.			

\*Specifications and design subject to change without notice. Products depicted in this literature are for demonstration purposes only. Actual products offered for sale may vary in use, design, required attachments and safety features. Consult your local Toro Distributor.





# Greensmaster® TriFlex®

## 3300/3320/3400/3420 Accessories\*

	8-BLADE DPA CUTTING UNITS	11-BLADE DPA CUTTING UNITS	14-BLADE CUTTING UNITS
<b>DPA CUTTING UNITS</b>	Patented design allowing reel/bedknife behind centerline aggressiveness to maintain constant through the service life of the reel.		
<b>HEIGHT OF CUT (HOC) RANGE</b>	Cutting height is adjusted on front roller by two vertical screws and held by two locking cap screws. Bench HOC range is .062"-.297" (1.6-7.5 mm). With high HOC kit, range is .297-1.0" (7.5-25.4 mm). Effective HOC may vary depending on turf conditions and bedknife installed.		
<b>REEL WELDMENT</b>	Reels are 5" (13 cm) in diameter, 21" (53.3 cm) in length. <b>EdgeSeries™</b> Reels blades are welded to 5 stamped steel spiders, and heat treated. The reel is ground for diameter and concentricity, and relief grind.		
<b>REEL BEARINGS</b>	Two stainless steel ball bearings, 30 mm inside diameter slip fit onto reel shaft retained by internally splined threaded insert. Low drag seals/slingers for added protection with o-ring sealed motor and counterweight. Reel position maintained by a wave washer with no adjusting nut.		
<b>MAINTENANCE</b>	No grease zerks, sealed bearing design eliminates daily maintenance.		
<b>REEL DRIVE</b>	The reel weldment shaft is a 1.375" (35 mm) diameter tube with internally splined threaded insert.		
<b>FRAME</b>	Precision machined, die-cast aluminum cross member with two bolt-on die-cast aluminum side plates.		
<b>BEDKNIFE</b>	Replaceable single edged, EdgeMax™ Microcut Bedknife is standard on all cutting units.		
<b>BEDKNIFE ADJUSTMENT</b>	Dual screw, indexed "click" adjustment to the reel; detents correspond to .0007" (.018 mm) bedknife movement for each position.		
<b>FRONT &amp; REAR ROLLERS</b>	Front: Not included with cutting unit, purchased separately. Option between full, narrow-spaced and wide-spaced Wiehle roller. Rear: Steel full, 2" (5.1 cm) diameter with sealed bearings and through-shaft.		
<b>GRASS SHIELD</b>	Non-adjustable shield with adjustable cut-off bar to improve grass discharge from reel in wet conditions.		
<b>TOTAL WEIGHT</b>	8-blade: 80 lbs. (30.4 kg) with aluminum Wiehle Roller.    11-blade: 83 lbs. (37.7 kg) with aluminum Wiehle Roller. 14-blade: 86 lbs. (39 kg) with aluminum Wiehle Roller.		

\*Specifications and design subject to change without notice. Products depicted in this literature are for demonstration purposes only. Actual products offered for sale may vary in use, design, required attachments and safety features. Consult your local Toro Distributor.





# Greensmaster® TriFlex® 3300/3320/3400/3420 Accessories

## GREENSMaster TRIFLEX ACCESSORIES\*

TRIFLEX TRACTION UNIT ACCESSORIES	
04716	Off-Greens Kit (Anti Bobbing)
04657	EdgeSeries 8 Blade HHOC Cutting Unit
04714	3WD Kit
04730	Leak Detector
04554	Light Kit
137-7947	Front light mounting kit
131-2048	Rear Light Kit
04508	Seat Kit, Standard
04729	Seat Kit, Premium
121-3660	LH Armrest
119-7105	Armrest Kit - Premium
119-1691	Hydraulic Oil Cooler Kit (Gas)
117-9314	Hydraulic Oil Cooler Kit (Diesel)
119-7129	2WD Weight Kit (Gas) (ANSI compliant)
121-6665	2WD Weight Kit (Diesel) (ANSI compliant)
120-5750	3WD Weight Kit (Gas) (ANSI compliant)
104-6540	Spark Arrestor Kit (Gas)
120-1951	Spark Arrestor Kit (Diesel)
138-8579	Canopy
137-8130	Utility Bag Kit
133-1308	Seat cover
115-4754	Wireless Hour Meter

OPTIONAL TRIFLEX ACCESSORIES	
04720	Thatching Reel - TriFlex (set of 1)
119-1128	Individual dynaBLADE, 2mm thickness
117-6824	Individual dynaBLADE, 1.2mm thickness
117-6839	Replacement dynaBLADE kit, 1.2mm thickness (36 blades)
117-6840	Replacement dynaBLADE kit, 2mm thickness (36 blades)
121-6674	Individual Spring Steel Blade
121-6675	Replacement Spring Steel Blade Kit (36 pcs)
04722	Greens Tri-Roller - TriFlex (set of 1)
04723	Greens Spiker - TriFlex (set of 1)

TRIFLEX DPA CUTTING UNITS	
04651	EdgeSeries™ 8-Blade Cutting Unit
04657	EdgeSeries™ 8 Blade HHOC Cutting Unit
04653	EdgeSeries™ 11-Blade Cutting Unit
04655	EdgeSeries™ 14-Blade Cutting Unit

GROOMER OPTIONS	
04648	Universal Groomer Drive
04802	Groomer Reel - Twin Tipped
04270	Grooming Brush, Soft
04271	Grooming Brush, Stiff
04650	Rear Roller Brush Kit (Univ Groomer)

ROLLER OPTIONS	
04257	Full Roller DPA
04255	Narrow Wiehle Roller DPA
04256	Wide Wiehle Roller DPA
04249	Full Split Roller
04250	Wiehle Split Roller
04628	Solid Steel Roller Kit (Front Wide Wiehle, Rear Full)
71-1550	2" Rear Wiehle Roller (cast iron)
125-5180	Rear Roller Extension Kit
120-9600	High Height of Cut Kit (.35 - .94)
04258	Extended Wiehle Roller
04267	Paspalum Wiehle Roller

FRONT ROLLER SCRAPER OPTIONS	
125-3503	Narrow Wiehle Roller Scraper
125-3504	Wide Wiehle Roller Scraper
125-3505	Full Roller Scraper
115-7377	Narrow Wiehle Roller Scraper Brush
115-7378	Wide Wiehle Roller Scraper Brush
115-7379	Full Roller Scraper Brush
115-7380	Narrow Wiehle Roller Scraper Comb
115-7381	Wide Wiehle Roller Scraper Comb
115-7382	Full Roller Scraper Comb
107-9561	Anti Bobbing Roller - Scraper Kit (Front and Rear)

REAR ROLLER SCRAPER OPTIONS	
132-0723	RRB Adapter Kit (04650 for RRB only)
04646	Roller Scraper (Spring Loaded)
121-2260	Roller Scraper - Adjustable

BEDKNIFE & BEDBAR OPTIONS	
115-1880	EdgeMax™ Microcut Bedknife
115-1881	EdgeMax™ Tournament Bedknife
93-4262	Microcut Bedknife
93-4263	Tournament Bedknife
93-4264	Low Cut Bedknife
94-6392	Bedknife - High Cut
108-4303	Extended Microcut Bedknife
108-4302	Extended Tournament Bedknife
137-6097	Bedknife - Fairway
99-3794-0P	DPA Bedbar, Aggressive (optional)
106-2648-01	DPA Bedbar, Less Aggressive (standard)
137-6092	EdgeMax™ Fairway Bedknife
139-4320	EdgeMax™ Short Microcut Bedknife
139-4321	EdgeMax™ Short Tournament Bedknife

TRIFLEX SERVICE KITS	
44969	1000 hour filter Maintenance Kit - Greensmaster TriFlex 3300 / 3320
44970	400 hour filter Maintenance Kit - Greensmaster TriFlex 3400 / 3420

BIO-HYDRAULIC FLUID / HYDRAULIC FLUID / OIL	
119-2157	Bio-Hydraulic Fluid, 5 gal. (18.9 L)
119-2158	Bio-Hydraulic Fluid, 55 gal. (208.2 L)
133-8086	Premium Hydraulic Fluid, 5 gal. (18.9 L)
133-8087	Premium Hydraulic Fluid, 55 gal. (208.2 L)
121-6393	Premium Engine Oil SAE 30, 5 gal. (18.9 L)
121-6392	Premium Engine Oil SAE 30, 55 gal. (208.2 L)

TOOLS	
04399	Turf Evaluator
125-5610	Paper - Reel
140-5531	Shim - Reel
94-9010	Height of Cut Bar Assembly

\*Specifications and design subject to change without notice. Products depicted in this literature are for demonstration purposes only. Actual products offered for sale may vary in use, design, required attachments and safety features. Consult your local Toro Distributor.





## Greensmaster® eTriFlex™ 3360/3370

A new all-electric rider, charged with greens perfection. The new Greensmaster eTriFlex models carry no hydraulic fluid and utilize all-electric components for traction, steering, lift and cutting. These EnergySmart® models are operationally-friendly with noticeable noise reductions, operational cost savings, and other meaningful improvements to complement the ever-important enhancements in cutting performance.







# Greensmaster® eTriFlex™ 3360/3370 Specifications

	GREENSMaster eTRIFLEX 3360, MODEL 04580 (ENGINE/GENERATOR)*	GREENSMaster eTRIFLEX 3370, MODEL 04591 (LITHIUM-ION BATTERY)*
<b>POWER SOURCE</b>	Engine: Kawasaki 14.5 HP (10.8 kW) @3600 rpm, gasoline, air-cooled, twin-cylinder, governed to 2400 rpm, displacement 36.8 cu-inch (603cc). Choke standard. Generator: 48V 5400W air cooled brushless permanent magnet motor in parallel with four 12V 33AH AGM batteries (connected in series). Generator is used to start engine	High-capacity Lithium-Ion batteries with integrated Battery Management System (BMS)
<b>ENERGY CAPACITY</b>	4.9 gallons (18.5 liter) gasoline	10.8 kWh; 48V nominal
<b>ELECTRICAL SYSTEMS</b>	48V System for traction motor circuit, steering motor circuit, cutting unit motor circuit and lift / lower actuator circuit. 12V system for primary controls and brake actuator.	
<b>BATTERY CHARGER</b>	Off-board high efficiency 1200W smart charger. •AC input voltage 100-240VAC •AC input Frequency 50/60 Hz •Max input Current 14 A •Max charge time, empty to full: 9 hours	
<b>DIAGNOSTICS</b>	Advanced machine diagnostics available through the InfoCenter™	
<b>POWER STEERING</b>	48V electric steering motor with torque feedback device	
<b>TRACTION DRIVE</b>	Positive 2WD traction drive: Two, brushless permanent magnet traction motors coupled to a gearbox. Optional 3WD. (patent-pending).	
<b>RDS™ SYSTEM</b>	<b>Radius Dependent Speeds</b> – Clip Rate: Maintains consistent cutting unit clip rate in turns on each individual reel (patent-pending). Wheel Speed Control: Individual wheel speed control during turns (patent-pending).	
<b>GROUND SPEED</b>	Mowing 0-5 mph (0-8 km/h); Transport 0-10 mph (0-16 km/h); Reverse 0-5 mph (0-8 km/h). Selective slow down feature for turning in mowing mode. Automatic slow down at high transport speeds when turning.	
<b>CUTTING UNIT DRIVE</b>	Three, 48V (1.1 KW), air-cooled brushless permanent magnet motors with separable controller.	
<b>CUTTING UNIT LIFT SYSTEM</b>	48V electric linear actuators with fully integrated brushless permanent magnet motor and controller. Fully sealed with splash guard. Center lift actuator drop and raise delay is dependent on machine velocity.	
<b>VERTICUTTING</b>	Yes	No
<b>BACKLAPPING</b>	Standard, on-board and adjustable speed from 200-520 RPM	
<b>CONTROLS</b>	Traction Pedal: Forward/Neutral/Reverse; Joystick: Raise/Lower; Function control switch: Neutral, Mow, Transport; Key switch; Steering Arm Lock Pedal; Brake pedal; Parking Brake; InfoCenter; Seat Adjusting Lever; Main Power Connectors; Choke (3360 only); Fuel-Shutoff Valve (3360 only)	
<b>INFOCENTER™</b>	InfoCenter: Onboard LCD display shows gauges, alerts/faults, service reminders, electrical system diagnostics, low oil pressure, alternator, engine hours, engine rpm, voltage, functional control status, parking brake status, reel speed setting, backlap control, clip control, calibration of 48V components.	
<b>DIAGNOSTICS</b>	Advanced machine diagnostics available through the InfoCenter.	
<b>BRAKES</b>	Traction motor regenerative braking; foot pedal service/parking brake, linear-actuated automatic parking brake.	
<b>TIRES/WHEELS/PRESSURES</b>	Three, 19x10.5x8, 4-ply rating pneumatic tubeless and demountable. Smooth tread. Tire pressure 12-16 psi (83-110 kPa) front and rear.	
<b>WEIGHT, 11-BLADE CU, BASKETS, AND STANDARD SEAT, NO FUEL</b>	Mow: 1,354 lbs (614 kg) Transport: 1,625 lbs (737 kg)	Mow: 1,274 (578kg) Transport: 1,557 (706 kg)
<b>NOISE LEVEL (DBA)</b>	Sound Power: 91 db(A) Operator Ear: 73 db(A) Bystander: 25ft – 78 db(A), 50ft – 73 db(A), 100ft – 66 db(A)	Sound Power: 82 db(A) Operator Ear: 66 db(A) Bystander: 25ft – 56 db(A), 50ft – 50 db(A), 100ft – 44 db(A)
<b>GROUND CLEARANCE</b>	3.8" (9.7cm) ground clearance. Three, tie down locations (2 side, 1 rear).	
<b>WIDTH OF CUT</b>	59" (150cm)	
<b>CUTTING UNIT SUSPENSION</b>	Double A-Arm Suspension utilizing sealed ball joints allows free cutting unit motion in pitch and yaw. Links system for the roll. The basket is directly mounted to the cutting unit displacing weight evenly over front and rear rollers. (patented) Lift in Turn: Provides a level cut from side to side of cutting units regardless of turning angle (patented).	
<b>QUICK-CONNECT CUTTING UNITS</b>	Snap-on cutting unit and reel motors (no tools required).	
<b>OPTIONAL ATTACHMENTS</b>	8, 11, or 14-blade Cutting Units, Groomers, Rear Roller Brushes, Anti-Bobbing, Light Kit, Variety of Front Rollers, Thatching Reels, Tri-Roller, Spiker, 3-Wheel Drive Kit, Standard or Premium Seat, Wireless Hour Meter, Bimini Shade, Bag Kit, Spark Arrestor.	
<b>MAINTENANCE</b>	No grease points	
<b>OVERALL DIMENSIONS</b>	Width: 70.9" (180cm) Length: with Baskets 98" (249cm) Height: 80.8" (205cm) Wheelbase: 49.8" (126.5cm) Minimum Turning Radius (to machine center line): 35.9" (91cm)	
<b>CERTIFICATION</b>	Meets ANSI B71.5-2017 and EU 2000. 14EC (noise), 2006/42/EC (machinery safety), 2014/53/EU (red)	
<b>WARRANTY</b>	Two-year limited warranty, both models. Lithium-Ion battery 4 years. Refer to the Operator's Manual for further details.	

\*Specifications and design subject to change without notice. Products depicted in this literature are for demonstration purposes only. Actual products offered for sale may vary in use, design, required attachments and safety features. Consult your local Toro Distributor.





# Greensmaster® eTriFlex™ 3360/3370 Specifications\*

	8-BLADE DPA CUTTING UNITS	11-BLADE DPA CUTTING UNITS	14-BLADE CUTTING UNITS
<b>DPA CUTTING UNITS</b>	Patented design allowing reel/bedknife behind centerline aggressiveness to maintain constant through the service life of the reel.		
<b>HEIGHT OF CUT (HOC) RANGE</b>	Cutting height is adjusted on front roller by two vertical screws and held by two locking cap screws. Bench HOC range is .062"-.297" (1.6-7.5 mm). With high HOC kit, range is .297-1.0" (7.5-25.4 mm). Effective HOC may vary depending on turf conditions and bedknife installed.		
<b>REEL WELDMENT</b>	Reels are 5" (13 cm) in diameter, 21" (53.3 cm) in length. <b>EdgeSeries™</b> Reels blades are welded to 5 stamped steel spiders, and heat treated. The reel is ground for diameter and concentricity, and relief grind.		
<b>REEL BEARINGS</b>	Two stainless steel ball bearings, 30 mm inside diameter slip fit onto reel shaft retained by internally splined threaded insert. Low drag seals/slingers for added protection with o-ring sealed motor and counterweight. Reel position maintained by a wave washer with no adjusting nut.		
<b>MAINTENANCE</b>	No grease zerks, sealed bearing design eliminates daily maintenance.		
<b>REEL DRIVE</b>	The reel weldment shaft is a 1.375" (35 mm) diameter tube with internally splined threaded insert.		
<b>FRAME</b>	Precision machined, die-cast aluminum cross member with two bolt-on die-cast aluminum side plates.		
<b>BEDKNIFE</b>	Replaceable single edged, EdgeMax™ Microcut Bedknife is standard on all cutting units.		
<b>BEDKNIFE ADJUSTMENT</b>	Dual screw, indexed "click" adjustment to the reel; detents correspond to .0007" (.018 mm) bedknife movement for each position.		
<b>FRONT &amp; REAR ROLLERS</b>	Front: Not included with cutting unit, purchased separately. Option between full, narrow-spaced and wide-spaced Wiehle roller. Rear: Steel full, 2" (5.1 cm) diameter with sealed bearings and through-shaft.		
<b>GRASS SHIELD</b>	Non-adjustable shield with adjustable cut-off bar to improve grass discharge from reel in wet conditions.		
<b>TOTAL WEIGHT</b>	8-blade: 80 lbs. (30.4 kg) with aluminum Wiehle Roller. 11-blade: 83 lbs. (37.7 kg) with aluminum Wiehle Roller. 14-blade: 86 lbs. (39 kg) with aluminum Wiehle Roller.		

\*Specifications and design subject to change without notice. Products depicted in this literature are for demonstration purposes only. Actual products offered for sale may vary in use, design, required attachments and safety features. Consult your local Toro Distributor.





# Greensmaster® eTriFlex™ 3360/3370 Accessories

## GREENSMaster eTRIFLEX ACCESSORIES\*

eTRIFLEX TRACTION UNIT ACCESSORIES	
04716	Off-Greens Kit (Anti Bobbing)
04504	3-Wheel Drive Kit
04500	Light Kit
04716	Off-Greens Kit (Anti-Bobbing)
137-7947	Light Kit, Front Mount Brackets
137-7945	Rear Light Kit
04508	Seat Kit, Standard
04729	Seat Kit, Premium
121-3660	Left Armrest Kit - Standard
119-7105	Armrest Kit - Premium
137-8098	Spark Arrestor Kit (Gas)
138-8579	Canopy
137-8130	Utility Bag Kit
115-4754	Wireless Hour Meter
133-1308	Seat cover

OPTIONAL eTRIFLEX ACCESSORIES	
04720	Thatching Reel - TriFlex (set of 1) for model 04580 only
119-1128	Individual dynaBLADE, 2mm thickness
117-6824	Individual dynaBLADE, 1.2mm thickness
117-6839	Replacement dynaBLADE kit, 1.2mm thickness (36 blades)
117-6840	Replacement dynaBLADE kit, 2mm thickness (36 blades)
121-6674	Individual Spring Steel Blade
121-6675	Replacement Spring Steel Blade Kit (36 pcs)
04722	Greens Tri-Roller - TriFlex (set of 1)
04723	Greens Spiker - TriFlex (set of 1)

eTRIFLEX DPA CUTTING UNITS	
04651	EdgeSeries™ 8-Blade Cutting Unit
04657	EdgeSeries™ 8 Blade HHOC Cutting Unit
04653	EdgeSeries™ 11-Blade Cutting Unit
04655	EdgeSeries™ 14-Blade Cutting Unit

GROOMER OPTIONS	
04648	Universal Groomer Drive
04802	Groomer Reel - Twin Tipped
04270	Grooming Brush, Soft
04271	Grooming Brush, Stiff
04650	Rear Roller Brush Kit (Univ Groomer)

ROLLER OPTIONS	
04257	Full Roller DPA
04255	Narrow Wiehle Roller DPA
04256	Wide Wiehle Roller DPA
04249	Full Split Roller
04250	Wiehle Split Roller
04628	Solid Steel Roller Kit (Front Wide Wiehle, Rear Full)
71-1550	2" Rear Wiehle Roller (cast iron)
125-5180	Rear Roller Extension Kit
120-9600	High Height of Cut Kit (.35 - .94)
04258	Extended Wiehle Roller
04267	Paspalum Wiehle Roller

FRONT ROLLER SCRAPER OPTIONS	
125-3503	Narrow Wiehle Roller Scraper
125-3504	Wide Wiehle Roller Scraper
125-3505	Full Roller Scraper
115-7377	Narrow Wiehle Roller Scraper Brush
115-7378	Wide Wiehle Roller Scraper Brush
115-7379	Full Roller Scraper Brush
115-7380	Narrow Wiehle Roller Scraper Comb
115-7381	Wide Wiehle Roller Scraper Comb
115-7382	Full Roller Scraper Comb
107-9561	Anti Bobbing Roller - Scraper Kit (Front and Rear)

REAR ROLLER SCRAPER OPTIONS	
132-0723	RRB Adapter Kit (04650 for RRB only)
04646	Roller Scraper (Spring Loaded)
121-2260	Roller Scraper - Adjustable

BEDKNIFE & BEDBAR OPTIONS	
115-1880	EdgeMax™ Microcut Bedknife
115-1881	EdgeMax™ Tournament Bedknife
93-4262	Microcut Bedknife
93-4263	Tournament Bedknife
93-4264	Low Cut Bedknife
94-6392	Bedknife - High Cut
108-4303	Extended Microcut Bedknife
108-4302	Extended Tournament Bedknife
137-6097	Bedknife - Fairway
99-3794-0P	DPA Bedbar, Aggressive (optional)
106-2648-01	DPA Bedbar, Less Aggressive (standard)
137-6092	EdgeMax™ Fairway Bedknife
139-4320	EdgeMax™ Short Microcut Bedknife
139-4321	EdgeMax™ Short Tournament Bedknife

TOOLS	
04399	Turf Evaluator
125-5610	Paper - Reel
140-5531	Shim - Reel
94-9010	Height of Cut Bar Assembly

\*Specifications and design subject to change without notice. Products depicted in this literature are for demonstration purposes only. Actual products offered for sale may vary in use, design, required attachments and safety features. Consult your local Toro Distributor.





# Reelmaster® 3100-D

The 3100-D triplex trim mower provides superb cutting, ultra comfort and ease of service – featuring a unique rear engine layout and optional Sidewinder® cutting units.







# Reelmaster® 3100-D Specifications

	REELMASTER 3100-D, MODEL 03170*	REELMASTER 3100-D, MODEL 03171 w/SIDEWINDER®*
<b>ENGINE</b>	Kubota® liquid-cooled diesel, 3-cylinder, 21.5 hp (16 kW) net @ 2500 RPM. High idle: 2,600 rpm, Low idle: 1,400 rpm (+/- 50 rpm). 68.5 cu. in. (1123 cm) displacement. Tier 4 and Stage V compliant. Pressurized lubrication system with 3.5 U.S. qt. (3.3 liter) capacity. Heavy-duty, radial seal air cleaner. Fuel/water separator with visible bowl.	
<b>CONFIGURATION</b>	Rear mounted engine, front operator position. Rear mounted radiator. Two post ROPS and seat belt standard.	
<b>FUEL CAPACITY</b>	7.5 gallons (28 liters). Biodiesel-Ready for use up to B-20 (20% biodiesel and 80% petroleum blend).	
<b>TRACTION DRIVE</b>	Series/Parallel hydraulic traction circuit provides continuous 3-wheel drive, in mow and transport. Hydrostatic traction drive provides infinitely variable speed in forward and reverse. 6 gallon (23 liter) hydraulic system capacity.	
<b>GROUND SPEED</b>	Mow: 0-6 mph (0-10 km/h); Transport: 0-9 mph (0-14 km/h). Reverse: 0-4 mph. (0-6 km/h).	
<b>CONTROLS</b>	Forward and reverse traction control pedals, mow/transport lever, hand activated park brake, ignition key switch, tilt steering wheel lock, PTO switch, throttle, joystick control for cutting unit raise and lower (and for moving cutting units side-to-side on Sidewinder equipped models), cutting unit transport lock, reel speed and backlap control knob.	
<b>GAUGES</b>	Hour meter, fuel gauge, cluster gauge with glow plug and charge indicator lights, and low engine oil pressure and high coolant temperature warning lights (high temperature safety shut off).	
<b>ELECTRICAL &amp; INTERLOCKS</b>	12-volt, 585 cold cranking amps at 0° F (-18° C), 40 amps with regulator/rectifier. Traction pedal, operator presence in seat, PTO engage or disengage, and cutting unit mow or transport safety interlock switches.	
<b>TIRES</b>	Front: 20 x 12-10, 4-ply Turf Tread. Rear: 20 x 10-10, 4-ply Turf Tread	
<b>FRAME</b>	Formed steel, welded steel and steel tubing.	
<b>BRAKES</b>	Hydrostatic service brake, hand-operated parking brake.	
<b>STEERING</b>	Power steering with tilt steering wheel.	
<b>OVERALL DIMENSIONS</b>	Track Width: 55" (140 cm) Overall Height: 76" (193 cm) with ROPS Wheel Base: 56" (142 cm) Transport Width: 80" (203 cm) in 72" (183 cm) WOC, 92" (234 cm) in 85" (216 cm) WOC Overall Length: 93" (248 cm)	
<b>WEIGHT</b>	Approx. Weight with 27-inch Cutting Units: 1,860 lbs. (844 kg)	Approx. Weight with 27-inch Cutting Units: 1,950 lbs. (885 kg)
<b>CUTTING UNIT CONFIGURATION</b>	Fixed position cutting units.	Operator controlled moveable cutting units travel ±12" (30 cm) left or right from center; total of 24" (61 cm) of infinite variability.
<b>CUTTING UNIT OFFSET</b>	3" (7.6 cm) in 72" (183 cm) width of cut 10" (25 cm) in 85" (216 cm) width of cut	Maximum 15" (38 cm) in 72" (183 cm) width of cut. Maximum 22" (56 cm) in 85" (216 cm) width of cut.
<b>CERTIFICATION</b>	This product complies with the American National Standards Institute (ANSI B71-4 – 2017) and European Community specifications (CE Certified). EN ISO 5395.	
<b>WARRANTY</b>	Two-year limited warranty, refer to operators manual for details.	

	27" CUTTING UNITS (03189, 03190)* / 32" CUTTING UNITS (03191)*
<b>TYPE</b>	Three hydraulically-driven, balanced, 7" (17.8 cm) diameter reels. Cutting units interchangeable to all three positions.
<b>REEL BLADE OPTIONS</b>	8 and 11-blade reels available for 27" (68.6 cm) cutting unit. 8-blade reels available for 32" (81.3 cm) cutting unit.
<b>HOC RANGE</b>	Height of cut ranges 0.25"-2" (6.4-50.8 mm) standard in floating position, 1.5" to 2.5" (3.8-6.4 cm) in fixed position.
<b>CUTTING WIDTH</b>	72" (183 cm), or 85" (216 cm) width of cut dependent on cutting unit selection.
<b>CLIP FREQUENCY/BACKLAPPING</b>	Manually controlled variable reel speed for adjustment of clip frequency. Standard on-board backlapping.
<b>BEDKNIFE-TO-REEL ADJUSTMENT</b>	Dual point adjustment (DPA) of bedknife to reel.
<b>ROLLERS</b>	Full roller standard on rear of cutting unit and plastic front Wiehle roller.

\*Specifications and design subject to change without notice. Products depicted in this literature are for demonstration purposes only.  
Actual products offered for sale may vary in use, design, required attachments and safety features. See distributor for details on all warranties.





# Reelmaster® 3100-D Accessories\*

TRACTION UNIT ACCESSORIES	
115-4754	myTurf® Wireless Hour Meter Assembly
30629	Premium Seat
127-2796	Smooth Tire (front only)
03614	Golf Ball Guard
31696	LED Light Kit

TRACTION UNIT SUNSHADE	
30669	Universal Sunshade - White
30671	Universal Sunshade - Red
30358	Bimini Canvas Sunshade
03248	Switch Panel
03247	Operator Cooling Fan
138-2700	Worklights
138-2699	Beacon
138-2993	Wire Harness
136-3315	Required Wheel Weight Kit

CUTTING UNIT OPTIONS	
03189	27" (69 cm) 8-Blade DPA Cutting Unit
03190	27" (69 cm) 11-Blade DPA Cutting Unit
03191	32" (81 cm) 8-Blade DPA Cutting Unit
03203	27" (69 cm) Verticutter Cutting Unit

27" (69 CM) DPA CUTTING UNIT ACCESSORIES	
03240	Universal Groomer
03778	27" (69 cm) Groomer Cartridge
03242	27" (69 cm) Universal RRB Kit
03243	Rear Roller Brush Kit
132-7125	Broomer Kit
03185	Grass Basket Kit
114-9368	Rear Roller Scraper Kit
114-9372-03	Wiehle Roller Scraper
114-9376	Comb/Scraper Kit
119-0630	Shoulder Roller Asm
114-9381-03	Shoulder Roller Scraper
137-6121	Full Front Roller
114-9386-03	Full Front Roller Scraper
119-4286	Short Rear Roller Asm
140-5514	HD High HOC Brush

32" (81 CM) DPA CUTTING UNIT ACCESSORIES	
03246	Rear Roller Brush Kit
133-0193	5-Blade Service Reel
114-9369	Rear Roller Scraper Kit
114-9373-03	Wiehle Roller Scraper
114-9377	Comb/Scraper Kit
140-5513	HD High HOC Brush
137-6127	Full Front Roller
114-9387-03	Full Front Roller Scraper
119-0640	Shoulder Roller Asm
114-9382-03	Shoulder Roller Scraper
119-4288	Short Rear Roller Asm

BEDKNIFE OPTIONS	
147-1249	Standard (27") - (03189, 03190)
147-1250	Heavy-Duty (27") (03192)
147-1248	Extended Low-Cut (27")
112-8910	EdgeMax™ (27")
147-1253	Standard (32") - (03191)
147-1254	Heavy-Duty (32")
147-1252	Extended Low-Cut (32")

CUTTING UNIT OPTIONS (27"/32")	
03244	End Weight Kit
119-0649	Trim/HD Collar Kit (6 per roller)
119-0635	RM3100 Tipper Roller Kit
98-1852	Gauge Bar
04399	Turf Evaluator

\*Specifications and design subject to change without notice. Products depicted in this literature are for demonstration purposes only. Actual products offered for sale may vary in use, design, required attachments and safety features. See distributor for details on all warranties.





# Reelmaster® 3550-D

The Toro® Reelmaster® 3550-D floats effortlessly over contours in fairways and green surrounds. With a productive 82-inch cutting width, turf-friendly tires, the superior traction of a Series/Parallel 3-wheel drive system, and a weight of less than 2,000 pounds,\* the Reelmaster 3550-D is engineered to make a big impression...without leaving one.



\* Gross vehicle weight for standard configuration, including five 18-inch cutting units, with no optional accessories.





# Reelmaster® 3550-D Specifications

REELMASTER 3550-D, MODEL 03910*	
<b>ENGINE</b>	Kubota® 3-cylinder, liquid-cooled diesel engine. 24.8 hp (18.5 kW) @ 3000 RPM. Engine governed to 3220 RPM high idle (± 50 RPM), 1400 RPM low idle (± 50 RPM). Displacement: 68.5 cu.in. (1123 cc). Peak torque: 57.2 lbs-ft @ 2200 RPM.
<b>LUBRICATION</b>	Pressurized lubrication system with 3.5 quarts (3.3 liters) capacity.
<b>FUEL FILTER</b>	10 micron spin-on filter with integral water separator.
<b>COOLING</b>	Aluminum side-by-side oil cooler/radiator. 8.5 fins per inch, wavy fin, non-louvered. 5.25 quart (4.9 liter) capacity.
<b>FUEL TANK CAPACITY</b>	7.5 gallons (28.3 liters), diesel fuel. Biodiesel-Ready for use up to B-20 (20% biodiesel and 80% petroleum blend).
<b>TRACTION DRIVE</b>	Series/Parallel hydraulic traction circuit provides continuous 3-wheel drive, in mow and transport. Hydrostatic traction drive provides infinitely variable speed in forward and reverse. 6 gallon (23 liter) hydraulic system capacity.
<b>GROUND SPEED</b>	0-10 mph (0-16.1 km/hr) forward transport; 0-7 mph (0-11.3 km/hr) mow; 0-3.5 mph (5.6 km/hr) reverse.
<b>TIRES</b>	Three (3) 22x12-12, 4-ply, no tread tires. 12 PSI recommended pressure.
<b>MAIN FRAME</b>	Formed steel, welded steel and steel tubing.
<b>BRAKES</b>	Hydrostatic service brake. Hand-operated parking brake.
<b>STEERING</b>	Power steering with tilt steering wheel.
<b>GAUGES</b>	Hour meter, fuel gauge, diagnostic lamp, cluster gauge with glow plug and charge indicator lights, and low engine oil pressure and high coolant temperature warning lights (high temperature safety shut off).
<b>CONTROLS</b>	Foot operated controls: Forward and reverse traction pedal, mow/transport speed limiter. Hand operated on control panel: Parking brake lever, ignition switch, engine throttle lever, LED work light switch, on/off switch for cutting units, joystick for cutting unit lift and lower. Other controls: Steering wheel tilt control, reel speed control, backlap engagement lever.
<b>ELECTRICAL &amp; INTERLOCKS</b>	Heavy-duty 12 V battery, 570 CCA; 40 amp alternator/regulator. Electronic control unit is microprocessor based, solid state control unit with diagnostic capabilities. Traction pedal neutral, parking brake, operator presence in seat, and cutting unit engage/disengage safety interlock switches.
<b>REEL DRIVE</b>	Hydraulic, open loop through oil cooler & filter. High efficiency pressure balanced gear type motors and pumps.
<b>SEAT</b>	Mechanical suspension standard.
<b>DIMENSIONS</b>	<b>Height:</b> 74" (188 cm) <b>Length:</b> 110" (279.4 cm) <b>Wheelbase:</b> 59.5" (151.1 cm) <b>Operational Width:</b> 94" (238.8 cm) <b>Transport Width:</b> 91" (213.1 cm)
<b>WEIGHT</b>	1,985 lbs. (900.38 kg) with (5) 18" 8-blade cutting units.
<b>SAFETY</b>	ROPS Standard. Capable of traversing a 25° slope in any direction on dry grass, while mowing.
<b>CERTIFICATION</b>	Complies with ANSI B71.4-2012 and CE requirements. EN ISO 5395.
<b>WARRANTY</b>	Two-year limited warranty. Refer to the Operator's Manual for further details.

\*Specifications and design subject to change without notice. Products depicted in this literature are for demonstration purposes only. Actual products offered for sale may vary in use, design, required attachments and safety features. See distributor for details on all warranties.





# Reelmaster® 3550-D Accessories\*

	<b>18" CUTTING UNITS: 03485 (8-BLADE) &amp; 03486 (11-BLADE)    22" CUTTING UNIT: 03487 (8-BLADE) &amp; 03488 (11-BLADE)</b>
<b>TYPE</b>	Five hydraulically driven, balanced, DPA cutting Units. Frame precision manufactured, die-cast aluminum for increased strength, simple click adjustment maintenance.
<b>SIZE</b>	18" (46 cm) wide, 5" (12.7 cm) diameter. Optional 22" (56 cm) wide, 5" (12.7 cm) diameter for the rear positions to increase overlap.
<b>WIDTH OF CUT</b>	82" (2.1 m)
<b>HOC RANGE</b>	0.25"-1.5" (6.4-38.1 mm)
<b>REEL SPEED</b>	2350 (+/- 150) rpm max reel speed at highest setting. 200 rpm max at low idle and lowest setting for backlapping.
<b>BEDKNIFE ADJUSTMENT</b>	Precision machined cutting units maintain levelness and hold adjustments. Dual Precision Adjustment (DPA) allows quick bedknife to reel adjustment.
<b>ROLLERS</b>	Wiehle front roller and standard rear roller included. Optional front full and shoulder rollers, and longer rear rollers available.
<b>GRASS BASKETS</b>	Optional 18" (46 cm) or 22" (56 cm) baskets.

CUTTING UNIT OPTIONS	
03485	18" (46 cm) 8-Blade DPA Cutting Unit
03486	18" (46 cm) 11-Blade DPA Cutting Unit
03487	22" (56 cm) 8-Blade DPA Cutting Unit
03488	22" (56 cm) 11-Blade DPA Cutting Unit
03484	End weight (for cutting units without attachments)

22" (56 CM) DPA CUTTING UNIT ACCESSORIES	
03416	Flex Grass Basket Kit (rear)
107-3280	Rear Roller Scraper Kit
107-2993-03	Wiehle Roller Scraper
110-1735	Comb/Scraper Kit
114-5412	Full Front Roller
110-9602-03	Full Front Roller Scraper
114-5404	Long Rear Roller Asm
114-5421	Shoulder Roller Asm
110-9609-03	Shoulder Roller Scraper
110-9600	High HOC Kit

TRACTION UNIT ACCESSORIES	
30358	Bimini Canvas Sunshade
121-7924	Tire – Turf Tread
03614	Golf Ball Guard
115-4754	myTurf® Wireless Hour Meter Assembly

18" (46 CM) DPA CUTTING UNIT ACCESSORIES	
03923	Flex Grass Basket Kit
03924	Extended Flex Grass Basket Kit (front)
120-9986	Rear Roller Scraper Kit
121-3182-03	Wiehle Roller Scraper
121-6995	Comb/Scraper Kit
110-9600	High HOC Kit
121-3199	High HOC Brush (for 18" RRB kits)
112-1732	Full Front Roller
121-6996-03	Full Front Roller Scraper
112-1728	Long Rear Roller Asm
112-1733	Shoulder Roller Asm
121-6970-03	Shoulder Roller Scraper
108-6715	Gauge Bar
29-9100	Brush & Handle

TRACTION UNIT SUNSHADE	
30669	Universal Sunshade - White
30671	Universal Sunshade - Red
03248	Switch Panel
03247	Operator Cooling Fan
138-2700	Worklights
138-2699	Beacon
138-2993	Wire Harness

BEDKNIFE OPTIONS	
137-0831	EdgeMax™ (18")
137-0833	EdgeMax™ (22")
137-0830	EdgeMax™ Low cut (18")
137-0832	EdgeMax™ Low cut (22")
147-1241	Standard (18")
147-1245	Standard (22")
147-1240	Standard Low Cut (18")
147-1244	Standard Low Cut (22")

GROOMER AND REAR ROTATING BRUSH OPTIONS	
03763	Universal Groomer
03771	18" (46 cm) Groomer Cartridge
03766	18" (46 cm) Groomer Brush Cartridge
03657	Rear Roller Brush (for Groomer Kit) (18")
03916	Rear Roller Brush ONLY Kit (18")
03484	End Weight Kit
03918	Rear Roller Brush Kit (3 - 18" & (2 - 22")
132-7115	Broomer Kit (For 18" Groomers)

\*Specifications and design subject to change without notice. Products depicted in this literature are for demonstration purposes only. Actual products offered for sale may vary in use, design, required attachments and safety features. See distributor for details on all warranties.







# Reelmaster® 3555-D / 3575-D

Performance you expect in a size you didn't, Toro's Reelmaster 3555-D and 3575-D (5 and 7 inch reel) fairway mowers. Productivity, efficiency, simplicity, 100 inch (2.5 m) cutting width and lighter weight all packed into a compact chassis.





# Reelmaster® 3555-D/3575-D Specifications

REELMASTER 3555-D, MODEL 03820* / REELMASTER 3575-D, MODEL 03821*	
<b>ENGINE</b>	Kubota® 3-cylinder, liquid-cooled diesel engine. 24.8 hp (18.5 kW) @ 3000 RPM. Engine governed to 3220 RPM high idle (± 50 RPM), 1400 RPM low idle (± 50 RPM). Displacement: 68.5 cu.in. (1123 cc). Peak torque: 57.2 lbs-ft @ 2200 RPM.
<b>LUBRICATION</b>	Pressurized lubrication system with 3.5 quarts (3.3 liters) capacity.
<b>FUEL FILTER</b>	10 micron spin-on filter with integral water separator.
<b>COOLING</b>	Aluminum side-by-side oil cooler/radiator. 8.5 fins per inch, wavy fin, non-louvered. 5.25 quart (4.9 liter) capacity.
<b>FUEL TANK CAPACITY</b>	7.5 gallons (28.3 liters), diesel fuel. Biodiesel-Ready for use up to B-20 (20% biodiesel and 80% petroleum blend).
<b>TRACTION DRIVE</b>	Series/Parallel hydraulic traction circuit provides continuous 3-wheel drive, in mow and transport. Hydrostatic traction drive provides infinitely variable speed in forward and reverse. 6 gallon (23 liter) hydraulic system capacity.
<b>GROUND SPEED</b>	0-10 mph (0-16.1 km/hr) forward transport; 0-7 mph (0-11.3 km/hr) mow; 0-3.5 mph (5.6 km/hr) reverse.
<b>TIRES</b>	Three (3) 22x12-12, 4-ply, no tread tires. 12 PSI recommended pressure. (Optional turf tire)
<b>MAIN FRAME</b>	Formed steel, welded steel and steel tubing.
<b>BRAKES</b>	Hydrostatic service brake. Hand-operated parking brake.
<b>STEERING</b>	Power steering with tilt steering wheel.
<b>GAUGES</b>	Hour meter, fuel gauge, diagnostic lamp, cluster gauge with glow plug and charge indicator lights, and low engine oil pressure and high coolant temperature warning lights (high temperature safety shut off).
<b>CONTROLS</b>	Foot operated controls: Forward and reverse traction pedal, mow/transport speed limiter. Hand operated on control panel: Parking brake lever, ignition switch, engine throttle lever, LED headlight switch, on/off switch for cutting units, joystick for cutting unit lift and lower. Other controls: Steering wheel tilt control, reel speed control, backlap engagement lever.
<b>ELECTRICAL &amp; INTERLOCKS</b>	Heavy-duty 12 V battery, 570 CCA; 40 amp alternator/regulator. Electronic control unit is microprocessor based, solid state control unit with diagnostic capabilities. Traction pedal neutral, parking brake, operator presence in seat, and cutting unit engage/disengage safety interlock switches.
<b>REEL DRIVE</b>	Hydraulic, open loop through oil cooler & filter. High efficiency pressure balanced gear type motors and pumps.
<b>SEAT</b>	Mechanical suspension standard.
<b>DIMENSIONS</b>	<b>3555-D:</b> Height: 79" (200 cm) Length: 105" (266 cm) Operational Width: 112" (284 cm) Transport Width: 91" (231 cm) <b>3575-D:</b> Height: 81" (206 cm) Length: 105" (266 cm) Operational Width: 112" (284 cm) Transport Width: 91" (231 cm)
<b>WEIGHT</b>	<b>3555-D:</b> 1,655 lbs. (751 kg) with no cutting units. 2,280 lbs. (1,034 kg) with (5) 5" reels, 22" width, 8-blade cutting units. <b>3575-D:</b> 1,755 lbs. (796 kg) with no cutting units. 2,550 lbs. (1,156 kg) with (5) 7" reels, 22" width, 8-blade cutting units.
<b>SAFETY</b>	ROPS Standard. Capable of traversing a 25° slope in any direction on dry grass, while mowing.
<b>CERTIFICATION</b>	Complies with ANSI B71.4-2012 and CE requirements. EN ISO 5395.
<b>WARRANTY</b>	Two-year limited warranty. Refer to the Operator's Manual for further details.

\*Specifications and design subject to change without notice. Products depicted in this literature are for demonstration purposes only.  
Actual products offered for sale may vary in use, design, required attachments and safety features. See distributor for details on all warranties.





# Reelmaster® 3555-D/3575-D Accessories\*

22" CUTTING UNIT: 8-BLADE & 11-BLADE	
<b>TYPE</b>	Five hydraulically driven, balanced, DPA cutting Units. Frame precision manufactured, die-cast aluminum for increased strength, simple click adjustment maintenance.
<b>SIZE</b>	22" (56 cm) wide, 5" (12.7 cm) or 7" (17.8 cm) diameter.
<b>WIDTH OF CUT</b>	100" (2.54 m)
<b>HOC RANGE</b>	0.25"-1.5" (6.4-38.1 mm)
<b>REEL SPEED</b>	5" reel 2350 (+/- 150) rpm max reel speed, 7" reel 1600 rpm max reel speed, at highest setting. 200 rpm max at low idle and lowest setting for backlapping.
<b>BEDKNIFE ADJUSTMENT</b>	Precision machined cutting units maintain levelness and hold adjustments. Dual Precision Adjustment (DPA) allows quick bedknife to reel adjustment.
<b>ROLLERS</b>	Wiehle front roller and standard rear roller included. Optional front full and shoulder rollers, and short and long rear rollers available.
<b>GRASS BASKETS</b>	Optional baskets.

RM3555 – 5" (12.7 CM) CUTTING UNIT OPTIONS	
03487	22" (56 cm) 8-Blade DPA, RR Cutting Unit
03488	22" (56 cm) 11-Blade DPA, FSR Cutting Unit
03489	22" (56 cm) 11-Blade DPA, RR Cutting Unit
03484	End weight (for cutting units without attachments)

RM3575 – 7" (17.8 CM) CUTTING UNIT OPTIONS	
03638	22" (56 cm) 8-Blade DPA, RR Cutting Unit
03639	22" (56 cm) 8-Blade DPA, FSR Cutting Unit
03641	22" (56 cm) 11-Blade DPA, FSR Cutting Unit
03643	22" (56 cm) 11-Blade DPA, RR Cutting Unit
03405	End weight (for cutting units without attachments)

TRACTION UNIT ACCESSORIES	
121-7924	Tire – Turf Tread
03614	Golf Ball Guard
115-4754	myTurf® Wireless Hour Meter Assembly

TRACTION UNIT SUNSHADE	
30669	Universal Sunshade - White
30671	Universal Sunshade - Red
03248	Switch Panel
03247	Operator Cooling Fan
138-2700	Worklights
138-2699	Beacon
138-2993	Wire Harness

22" (56 CM) DPA CUTTING UNIT ACCESSORIES	
03415	Flex Grass Basket Kit (front)
03416	Flex Compact Grass Basket Kit (rear) (127-8562-03 Reduced Width Step Kit required.)
131-6845	Groomer Rod Kit - Flex Baskets
107-3280	Rear Roller Scraper Kit
107-2993-03	Wiehle Roller Scraper
110-1735	Comb/Scraper Kit
114-5412	Full Front Roller
110-9602-03	Full Front Roller Scraper
114-5404	Long Rear Roller Asm
114-5421	Shoulder Roller Asm
110-9609-03	Shoulder Roller Scraper
110-9600	High HOC Kit

BEDKNIFE OPTIONS	
107-0833	EdgeMax™
137-0832	EdgeMax Low Cut
147-1245	Standard
147-1244	Standard Low Cut
119-4280	EdgeMax Extended Low Cut
147-1243	Standard Extended Low Cut
147-1246	HD Bedknife

RM3555 – 5" (12.7 CM) CUTTING UNIT GROOMER AND REAR ROTATING BRUSH OPTIONS	
03763	Universal Groomer
03772	22" (56 cm) Groomer Cartridge
03767	Groomer Brush Cartridge
03417	Universal Only Weight Kit
03658	5" (12.7 cm) Universal RRB Kit
03406	Rear Roller Brush ONLY Kit
03412	5" (12.7 cm) End Weight Kit
132-7125	Broomer Kit (for groomers)

RM3575 – 7" (17.8 CM) CUTTING UNIT GROOMER AND REAR ROTATING BRUSH OPTIONS	
03768	Universal Groomer
03772	22" (56 cm) Groomer Cartridge
03767	Groomer Brush Cartridge
03418	Universal Only Weight Kit
03659	7" (17.8 cm) Universal RRB Kit
03419	Universal w/RRB weight kit
03408	Rear Roller Brush ONLY Kit
132-7125	Broomer Kit (for groomers)

\*Specifications and design subject to change without notice. Products depicted in this literature are for demonstration purposes only. Actual products offered for sale may vary in use, design, required attachments and safety features. See distributor for details on all warranties.





## Reelmaster® 5010-H

The Reelmaster 5010-H gives you the power and performance you want with the fuel efficiency and reliability you need. Through its patented PowerMatch™ system, the Reelmaster 5010-H utilizes the power of a diesel engine in combination with a battery pack to supply over 40 horsepower, but only when conditions require. Electric motors on the cutting units, which feature low-drag seals and low-friction bearings, improve performance and reduce power requirements. The result is increased fuel efficiency, quieter operation, significantly fewer potential leak points and unmatched quality of cut.





# Reelmaster® 5010-H Specifications

REELMASTER 5010-H, MODEL 03950*	
<b>POWER SYSTEM</b>	Tier 4 compliant 24.8 hp (18.5 kW) Kubota® 3-cylinder, liquid-cooled, diesel engine. Four 12V Absorbed Glass Mat (AGM), sealed, maintenance-free lead carbon batteries.
<b>LUBRICATION</b>	Pressurized lubrication system with 3.5 quart (3.3 liter) capacity.
<b>FUEL FILTER</b>	Replaceable spin-on fuel filter/water separator.
<b>COOLING</b>	Rear mounted radiator with industrial tube and fin construction, 6 fins per inch, 5.5 quart (5.2 liter) system capacity.
<b>FUEL TANK CAPACITY</b>	14 gallons (53 liters), diesel fuel.
<b>TRACTION DRIVE</b>	Front drive wheels powered in a parallel circuit by an electronically controlled hydrostatic pump with individual wheel motors. All-wheel drive optional with CrossTrax® All-Wheel Drive system, which transfers power from the front wheels to the opposite rear wheels via independent rear wheel motors.
<b>GROUND SPEED</b>	0-10 mph (0-16 km/h) forward transport; 0-8 mph (0-12.8 km/h) mow; 0-5 mph (0-8 km/hr) reverse transport; 0-4 mph (0-6.4 km/hr) reverse mow.
<b>TIRES</b>	Front traction tires: 26.5 x 14-12; Rear steer tires: 20 x 12-10.
<b>MAIN FRAME</b>	High strength steel frame with welded construction.
<b>BRAKES</b>	Dynamic braking through hydrostatic traction drive. Parking brake is activated when engine is turned off, when operator leaves seat, or by rocker switch.
<b>STEERING</b>	Rear wheel, power steering with an independent hydraulic pump and circuit.
<b>GAUGES</b>	InfoCenter™ onboard LCD display shows gauges, alerts, faults, service reminders, electrical systems diagnostics, indicates fuel level, coolant temp., low oil pressure, alternator, engine hours, engine rpm, voltage, reel speed, backlap speed, glow indicator, lift/lower indicator.
<b>CONTROLS</b>	Single foot-operated traction pedal. Hand-operated key ignition switch, switch-operated throttle, cutting unit raise/lower joystick, cutting unit engage switch, parking brake switch, cruise control switch, and LED headlight switch, all positioned on right hand pivoting control console.
<b>ELECTRICAL</b>	Heavy duty 12-volt battery, 570 CCA, 40 amp alternator. Electronic control unit is a microprocessor based, solid state control unit with diagnostic capabilities. Traction pedal, parking brake, operator presence in seat, and cutting unit engage/disengage safety interlock switches.
<b>REEL DRIVE</b>	Five independent reel motors, each individually fused. Reel speeds are electronically adjustable in nine incremental settings. 5010-H exclusive feature, reel speed continuously adjusts to ground speed, keeping desired clip rate consistent. On-board backlapping is standard.
<b>SEAT</b>	Deluxe high back suspension seat with fore, aft, height and weight adjustment.
<b>DIMENSIONS</b>	Height: 63" (160 cm) to seat, 85.5" (217.2 cm) to ROPS. Length: 111" (281.9 cm) Wheelbase: 60" (152.4 cm) Operational Width: 116" (288.3 cm) Transport Width: 92" (233.7 cm).
<b>WEIGHT</b>	With 5" cutting units: 2WD – 2,776 lbs. (1,259 kg), 4WD – 2,827 lbs. (1,282 kg). With 7" cutting units: 2WD – 2,907 lbs. (1,319 kg), 4WD – 2,965 lbs. (1,345 kg).
<b>SAFETY / CERTIFICATION</b>	ROPS Standard. Complies with ANSI B71.4, ISO EN 5395 and CE requirements
<b>WARRANTY</b>	Two-year limited warranty. Refer to the Operator's Manual for further details.

CUTTING UNITS*: 5" 8-BLADE: 03621 5" 11-BLADE: 03623 7" 8-BLADE, RADIAL: 03638 7" 8-BLADE, FORWARD-SWEPT: 03639 7" 11-BLADE FORWARD-SWEPT: 03641	
<b>TYPE</b>	Five electrically driven, DPA cutting Units with low-drag seal and bearing package. Frame precision manufactured, die-cast aluminum for increased strength, simple click adjustment maintenance.
<b>SIZE</b>	22" (56 cm) wide, 5" (12.7 cm) or 7" (17.8 cm) diameter.
<b>WIDTH OF CUT</b>	100" (254 cm)
<b>HOC RANGE</b>	0.25"-1.5" (6.4-38.1 mm)
<b>REEL SPEED</b>	Electronically controlled, variable reel speed for optimal clip frequency and independently controlled backlap speed.
<b>BEDKNIFE ADJUSTMENT</b>	Precision machined cutting units maintain levelness and hold adjustments. Dual Precision Adjustment (DPA) allows quick bedknife to reel adjustment.
<b>ROLLERS</b>	Wiehle front roller and standard rear roller included. Optional front full and shoulder rollers, and longer rear rollers available.

\*Specifications and design subject to change without notice. Products depicted in this literature are for demonstration purposes only. Actual products offered for sale may vary in use, design, required attachments and safety features. See distributor for details on all warranties.







# Reelmaster® 5010-H Accessories\*

CUTTING UNITS	
03647	5" (12.7 cm) cutting unit finishing kit
03621	5" (12.7 cm) 8-blade DPA RR cutting unit
03623	5" (12.7 cm) 11-blade DPA FSR cutting unit
03624	5" (12.7 cm) 11-blade DPA RR cutting unit
03618	5" (12.7 cm) verticutter cutting unit
03649	7" (17.8 cm) cutting unit finishing kit
03638	7" (17.8 cm) 8-blade, RR cutting unit
03639	7" (17.8 cm) 8-blade, FSR cutting unit
03641	7" (17.8 cm) 11-blade, FSR cutting unit
03643	7" (17.8 cm) 11-blade, RR cutting unit
03619	7" (17.8 cm) verticutter cutting unit

TRACTION UNIT ACCESSORIES	
03645	CrossTrax® All-Wheel Drive Kit
03656	CrossTrax All-Wheel Drive Finishing Kit
03667	Air-ride Seat Suspension
03415	Standard Flexible Grass Basket
03416	Compact Flexible Grass Basket

TRACTION UNIT SUNSHADE	
30669	Universal Sunshade - White
30671	Universal Sunshade - Red
03248	Switch Panel
03247	Operator Cooling Fan
140-1554	Worklights
138-2699	Beacon
138-2994	Wire Harness

5" (12.7 cm) CUTTING UNIT ACCESSORIES	
03763	Universal Groomer
03772	22" (56 cm) Groomer Cartridge
03767	Grooming Brush Cartridge
03417	Universal Only Weight Kit
03658	Powered rear roller brush for groomers
03413	Weight for cutting units with attachments
03406	Powered rear roller brush only
03411	End Weight Kit
03415	Flex Grass Basket
131-6845	Flex Groomer Rod Kit

7" (17.8 cm) CUTTING UNIT ACCESSORIES	
03768	Universal Groomer
03772	22" (56 cm) Groomer Cartridge
03767	Grooming Brush Cartridge
03418	Universal Only Weight Kit
03659	Powered rear roller brush for groomers
03419	Universal w/RRB Weight Kit
03408	Powered rear roller brush only
03405	Weight for cutting units without attachments
03415	Flex Grass Basket
131-6845	Flex Groomer Rod Kit

BEDKNIFE OPTIONS	
108-9095	EdgeMax™
147-1245	Standard
127-7132	EdgeMax Low Cut
147-1244	Low Cut
119-4280	EdgeMax Extended Low Cut
147-1243	Extended Low Cut
147-1246	Heavy Duty

\*Specifications and design subject to change without notice. Products depicted in this literature are for demonstration purposes only. Actual products offered for sale may vary in use, design, required attachments and safety features. See distributor for details on all warranties.





## Reelmaster® 5410 / 5510 / 5610

A lightweight fairway mower that's agile and easy on the turf, yet has the power and cutting capacity to get even the toughest jobs done.



REELMASTER 5410-D TIER 4 DIESEL, MODEL 03952*	
<b>ENGINE</b>	Yanmar® 3-cylinder, liquid cooled, diesel engine. 36.8 hp (27.5 kW), 74.4 ft. lbs. (105 Nm) torque, 1.64 liter displacement.
<b>LUBRICATION</b>	Pressurized lubrication system with 5.0 quart (4.7 liter) capacity.
<b>FUEL FILTER</b>	Replaceable spin-on fuel filter/water separator.
<b>AIR CLEANER</b>	Heavy-duty three-stage, radial seal air cleaner with restriction indicator.
<b>COOLING</b>	Plate and bar radiator/oil cooler combination, 6.3 fins per inch, 10 quart (9.5 liter) capacity.
<b>FUEL TANK CAPACITY</b>	14 gallon (53 liter) capacity.
<b>HYDRAULIC OIL CAPACITY</b>	15 gallon (56.8 liter) capacity.
<b>TRACTION DRIVE</b>	Front drive wheels powered in a parallel circuit by an electronically controlled hydrostatic pump with individual wheel motors. All-wheel drive optional with CrossTrax® All-Wheel Drive system, which transfers power from the front wheels to the opposite rear wheels via independent rear wheel motors.
<b>GROUND SPEED</b>	0-10 mph (0-16 km/hr) forward transport; 0-8 mph (0-12.8 km/hr) mow; 0-5 mph (0-8 km/hr) reverse transport; 0-4 mph (0-6.4 km/hr) reverse mow.
<b>TIRES</b>	Front traction tires: 26.5 x 14-12 turf tires    Rear steer tires: 20 x 12-10
<b>MAIN FRAME</b>	High strength steel frame with welded construction.
<b>BRAKES</b>	Dynamic braking through hydrostatic traction drive. Parking brake is activated when engine is turned off, when operator leaves seat, or by rocker switch.
<b>STEERING</b>	Rear wheel, power steering with an independent hydraulic pump and circuit.
<b>GAUGES</b>	InfoCenter™ onboard LCD display shows gauges, alerts/faults, service reminders, electrical system diagnostics, indicates fuel level, coolant temp., low oil pressure, alternator, engine hours, engine rpm, voltage, reel speed, backlap speed, glow indicator (diesel), lift/lower indicator.
<b>CONTROLS</b>	Single foot-operated traction pedal. Hand-operated key ignition switch, cutting unit raise/lower joystick, cutting unit engage switch, parking brake switch, cruise control switch, and headlight switch all positioned on right hand pivoting control console.
<b>ELECTRICAL &amp; INTERLOCKS</b>	Heavy-duty 12-volt battery, 570 CCA, 55 amp alternator. Electronic control unit is a microprocessor based, solid state control unit with diagnostic capabilities. Traction pedal, parking brake, operator presence in seat, and cutting unit engage/disengage safety interlock switches.
<b>REEL DRIVE</b>	Reel drive circuit is split independently for front and rear cutting units. Hydraulic functions controlled by an integrated hydraulic control block. Reel speeds are electronically adjustable in nine incremental settings. Desired clip rate remains consistent as max mow speed is adjusted. Standard on-board backlapping.
<b>CUTTING UNIT LIFT/LOWER</b>	Front and rear cutting unit lift/lower is sequenced for uniform starting and ending points.
<b>SEAT</b>	Deluxe high back suspension seat with fore, aft, height and weight adjustment.
<b>ROPS</b>	Standard with seat belt
<b>HEIGHT</b>	63" (160 cm) seat top, 85" (217.2 cm) top of ROPS.
<b>LENGTH (2WD)</b>	111" (281.9 cm)
<b>WHEEL BASE</b>	60" (152.4 cm)
<b>OPERATIONAL WIDTH</b>	113.5" (288.3 cm)
<b>TRANSPORT WIDTH</b>	92" (233.7 cm)
<b>WEIGHT</b>	2,943 lbs. (1,335 kg) (2WD), 3,053 lbs. (1,385 kg) (4WD)
<b>CERTIFICATION</b>	Complies with ANSI B71.4 and CE requirements. Certain machine configurations require rear weight kits for standards compliance, see Operator's Manual for details.
<b>WARRANTY</b>	Two-year limited warranty. Refer to the Operator's Manual for further details.

\*Specifications and design subject to change without notice. Products depicted in this literature are for demonstration purposes only. Actual products offered for sale may vary in use, design, required attachments and safety features. See distributor for details on all warranties.





# Reelmaster® 5410-D Accessories\*

8 AND 11-BLADE CUTTING UNITS, MODELS 03621, 03623 AND 03624	
<b>TYPE</b>	5-plex, hydraulically driven, balanced cutting units with adjustable rear weight transfer spring. Cutting units feature quick disconnect for removal/installation and are interchangeable to all positions. Cutting units also feature rear throw capability.
<b>SIZE</b>	22" (56 cm) wide, 5" (12.7 cm) diameter, 8 & 11 blade cutting units.
<b>WIDTH OF CUT</b>	100" (254 cm)
<b>HOC RANGE</b>	8-Blade: 0.5" - 1.5" (13-38 mm), 11-Blade: 0.25" - 0.75" (6-19 mm)
<b>REEL SPEED</b>	Manually controlled, variable reel speed for control of clip frequency. Reel speeds are incrementally adjustable between 200-2,000 rpm with a backlap speed of 200 rpm.
<b>BEDKNIFE ADJUSTMENT</b>	Dual Precision Adjustment (DPA), bedknife to reel.
<b>ROLLERS</b>	3" (7.6 cm) diameter, deep groove plastic Wiehle front roller. 2.5" (6.4 cm) diameter shortened steel rear roller. Other roller configurations optional.

UNIVERSAL GROOMER, MODEL 03763	
<b>TYPE</b>	Forward, Reverse & Neutral. Rotating blades with optional Broomer™ brush strips that are woven within the blade helix for full width turf contact.
<b>GROOMING WIDTH</b>	20.5" (52.1 cm)
<b>GROOMING RANGE</b>	0-0.25" (0-6.4 mm) below height of cut when engaged, 0.5" (0-12.7 mm) above Groomer height of cut when disengaged.
<b>BLADES</b>	2.5" (6.4 cm) diameter, 0.042" (1 mm) thick heat treated spring steel blades with 0.5" (12.7 mm) spacing.

POWERED REAR ROLLER BRUSH, MODEL 03406	
<b>TYPE</b>	Rotating, helically woven, stiff bristled brush. Spring loaded belt drive.
<b>CONTACT POINTS</b>	Tightly woven 11-point contact.
<b>SPIN RATE</b>	Rapid 2000 rpm spin rate.

CUTTING UNITS	
03621	5" (12.7 cm) 8-blade DPA RR cutting unit
03623	5" (12.7 cm) 11-blade DPA FSR cutting unit
03624	5" (12.7 cm) 11-blade DPA RR cutting unit
03618	5" (12.7 cm) verticutter cutting unit

TRACTION UNIT ACCESSORIES	
03645	CrossTrax® All-Wheel Drive Kit
03667	Air-ride Seat Suspension
03614	Golf Ball Guard

TRACTION UNIT SUNSHADE	
30669	Universal Sunshade - White
30671	Universal Sunshade - Red
03248	Switch Panel
03247	Operator Cooling Fan
140-1554	Worklights
138-2699	Beacon
138-2994	Wire Harness

5" (12.7 cm) CUTTING UNIT ACCESSORIES	
03763	Universal Groomer
03772	22" (56 cm) Groomer Cartridge
03767	Grooming Brush Cartridge
03417	Universal Only Weight Kit
03658	Powered rear roller brush for groomers
03413	Weight for cutting units with attachments
03406	Powered rear roller brush only
03411	End Weight Kit
03415	Flex Grass Basket
131-6845	Flex Groomer Rod Kit

BEDKNIFE OPTIONS	
137-6094	EdgeMax™
147-1245	Standard
137-6093	EdgeMax Low Cut
147-1244	Low Cut
119-4280	EdgeMax Extended Low Cut
147-1243	Extended Low Cut
147-1246	Heavy Duty

SCRAPER OPTIONS	
107-3280	Rear Roller Scraper
107-2993-03	Wiehle Roller Scraper
110-1735	Comb Scraper Kit

\*Specifications and design subject to change without notice. Products depicted in this literature are for demonstration purposes only. Actual products offered for sale may vary in use, design, required attachments and safety features. See distributor for details on all warranties.





# Reelmaster® 5510 / 5510-D Specifications

	REELMASTER 5510, MODEL 03964*	REELMASTER 5510-D, TIER 4 DIESEL, MODEL 03954*
<b>ENGINE</b>	Kubota® 4-cylinder, liquid cooled, diesel engine. 35.5 hp (26.5 kW) @ 3000 rpm.	Yanmar® 3-cylinder, liquid cooled, diesel engine. 36.8 hp (27.5 kW), 74.4 ft. lbs. (105 Nm) torque, 1.64 liter displacement.
<b>LUBRICATION</b>	Pressurized lubrication system with 5.0 quart (4.7 liter) capacity.	
<b>FUEL FILTER</b>	Replaceable spin-on fuel filter/water separator.	
<b>AIR CLEANER</b>	Heavy-duty three-stage, radial seal air cleaner with restriction indicator.	
<b>COOLING</b>	Rear mounted radiator with industrial tube and fin construction, 6.5 fins per inch, 7.0 quart (6.6 liter) capacity.	Plate and bar radiator/oil cooler combination, 6.3 fins per inch, 10 quart (9.5 liter) capacity.
<b>FUEL TANK CAPACITY</b>	13.5 gallon (51.1 liter) capacity. Biodiesel-Ready for use up to B-20 (20% biodiesel and 80% petroleum blend).	14 gallon (53 liter) capacity.
<b>HYDRAULIC OIL CAPACITY</b>	9.0 gallon (34.1 liter) capacity.	15 gallon (56.8 liter) capacity.
<b>TRACTION DRIVE</b>	Front drive wheels powered in a parallel circuit by an electronically controlled hydrostatic pump with individual wheel motors. All-wheel drive optional with CrossTrax® All-Wheel Drive system, which transfers power from the front wheels to the opposite rear wheels via independent rear wheel motors.	
<b>GROUND SPEED</b>	0-10 mph (0-16 km/hr) forward transport; 0-8 mph (0-12.8 km/hr) mow; 0-5 mph (0-8 km/hr) reverse transport; 0-4 mph (0-6.4 km/hr) reverse mow.	
<b>TIRES</b>	Front traction tires: 26.5 x 14-12 turf tires    Rear steer tires: 20 x 12-10	
<b>MAIN FRAME</b>	High strength steel frame with welded construction.	
<b>BRAKES</b>	Dynamic braking through hydrostatic traction drive. Parking brake is activated when engine is turned off, when operator leaves seat, or by rocker switch.	
<b>STEERING</b>	Rear wheel, power steering with an independent hydraulic pump and circuit.	
<b>GAUGES</b>	InfoCenter™ onboard LCD display shows gauges, alerts/faults, service reminders, electrical system diagnostics, indicates fuel level, coolant temp., low oil pressure, alternator, engine hours, engine rpm, voltage, reel speed, backlap speed, glow indicator (diesel), lift/lower indicator.	
<b>CONTROLS</b>	Single foot-operated traction pedal. Hand-operated key ignition switch, mechanical throttle, cutting unit raise/lower joystick, cutting unit engage switch, parking brake switch, cruise control switch, and LED headlight switch all positioned on right hand pivoting control console.	Single foot-operated traction pedal. Hand-operated key ignition switch, cutting unit raise/lower joystick, cutting unit engage switch, parking brake switch, cruise control switch, and LED headlight switch all positioned on right hand pivoting control console.
<b>ELECTRICAL &amp; INTERLOCKS</b>	Heavy-duty 12-volt battery, 570 CCA, 40 amp alternator. Electronic control unit is a microprocessor based, solid state control unit with diagnostic capabilities. Traction pedal, parking brake, operator presence in seat, and cutting unit engage/disengage safety interlock switches.	Heavy-duty 12-volt battery, 570 CCA, 55 amp alternator. Electronic control unit is a microprocessor based, solid state control unit with diagnostic capabilities. Traction pedal, parking brake, operator presence in seat, and cutting unit engage/disengage safety interlock switches.
<b>REEL DRIVE</b>	Reel drive circuit is split independently for front and rear cutting units. Hydraulic functions controlled by an integrated hydraulic control block. Reel speeds are electronically adjustable in nine incremental settings. Desired clip rate remains consistent as max mow speed is adjusted. Standard on-board backlapping.	
<b>CUTTING UNIT LIFT/LOWER</b>	Front and rear cutting unit lift/lower is sequenced for uniform starting and ending points.	
<b>SEAT</b>	Deluxe high back suspension seat with fore, aft, height and weight adjustment.	
<b>ROPS</b>	Standard with seat belt	
<b>HEIGHT</b>	63" (160 cm) seat top, 85.5" (217.2 cm) top of ROPS.	
<b>LENGTH (2WD)</b>	111" (281.9 cm)	
<b>WHEEL BASE</b>	60" (152.4 cm)	
<b>OPERATIONAL WIDTH</b>	116" (288.3 cm)	
<b>TRANSPORT WIDTH</b>	92" (233.7 cm)	
<b>WEIGHT</b>	3,083 lbs (1,399 kg) (2WD), 3,193 lbs (1,449 kg) (4WD)	3,131 lbs. (1,420 kg) (2WD), 3,241 lbs. (1,470 kg) (4WD)
<b>CERTIFICATION</b>	Complies with ANSI B71.4 and CE requirements. Certain machine configurations require rear weight kits for standards compliance, see Operator's Manual for details.	
<b>WARRANTY</b>	Two-year limited warranty. Refer to the Operator's Manual for further details.	

\*Specifications and design subject to change without notice. Products depicted in this literature are for demonstration purposes only.  
Actual products offered for sale may vary in use, design, required attachments and safety features. See distributor for details on all warranties.







# Reelmaster® 5510 / 5510-D Accessories\*

8 AND 11-BLADE CUTTING UNITS, MODELS 03638, 03639, 03641, AND 03643	
<b>TYPE</b>	5-plex, hydraulically driven, balanced cutting units with adjustable rear weight transfer spring. Cutting units feature quick disconnect for removal/installation and are interchangeable to all positions. Cutting units also feature rear throw capability.
<b>SIZE</b>	22" (56 cm) wide, 7" (17.8 cm) diameter, 8 and 11 blade cutting units.
<b>WIDTH OF CUT</b>	100" (254 cm)
<b>HOC RANGE</b>	8-Blade: 0.5"-2.0" (13-51 mm), 11-Blade: 0.25" - 0.75" (6-19 mm)
<b>REEL SPEED</b>	Manually controlled, variable reel speed for control of clip frequency. Reel speeds are incrementally adjustable between 200-1,650 rpm with a backlap speed of 200 rpm.
<b>BEDKNIFE ADJUSTMENT</b>	Dual Precision Adjustment (DPA), bedknife to reel.
<b>ROLLERS</b>	3" (7.6 cm) diameter, deep groove plastic Wiehle front roller. 3" (7.6 cm) diameter steel rear roller. Other roller configurations optional.

UNIVERSAL GROOMER, MODEL 03763	
<b>TYPE</b>	Forward, Reverse & Neutral. Rotating blades with optional Broomer™ brush strips that are woven within the blade helix for full width turf contact.
<b>GROOMING WIDTH</b>	20.5" (52.1 cm)
<b>GROOMING RANGE</b>	0-0.25" (0-6.4 mm) below height of cut when engaged, 0-0.25" (0-6.4 mm) above height of cut when disengaged.
<b>BLADES</b>	2.5" (6.4 cm) diameter, 0.042" (1 mm) thick heat treated spring steel blades with 0.5" (12.7 mm) spacing.

POWERED REAR ROLLER BRUSH, MODEL 03408	
<b>TYPE</b>	Rotating, helically woven, stiff bristled brush. Spring loaded belt drive.
<b>CONTACT POINTS</b>	Tightly woven 11 point contact.
<b>SPIN RATE</b>	Rapid 2000 rpm spin rate.

CUTTING UNITS	
03638	7" (17.8 cm) 8-blade DPA, RR cutting unit
03639	7" (17.8 cm) 8-blade DPA, FSR cutting unit
03641	7" (17.8 cm) 11-blade DPA, FSR cutting unit
03643	7" (17.8 cm) 11-blade DPA, RR cutting unit
03619	7" (17.8 cm) verticutter cutting unit

TRACTION UNIT ACCESSORIES	
03645	CrossTrax® All-Wheel Drive Kit
03667	Air-ride Seat Suspension
03614	Golf Ball Guard

TRACTION UNIT SUNSHADE	
30669	Universal Sunshade - White
30671	Universal Sunshade - Red
03248	Switch Panel
03247	Operator Cooling Fan
140-1554	Worklights
138-2699	Beacon
138-2994	Wire Harness

7" (17.8 cm) CUTTING UNIT ACCESSORIES	
03768	Universal Groomer
03772	22" (56 cm) Groomer Cartridge
03767	Grooming Brush Cartridge
03418	Universal Only Weight Kit
03659	Powered rear roller brush for groomers
03419	Universal w/RRB Weight Kit
03408	Powered rear roller brush only
03405	Weight for cutting units without attachments
03415	Flex Grass Basket
131-6845	Flex Groomer Rod Kit

BEDKNIFE OPTIONS	
137-6094	EdgeMax™
147-1245	Standard
137-6093	EdgeMax Low Cut
147-1244	Low Cut
119-4280	EdgeMax Extended Low Cut
147-1243	Extended Low Cut
147-1246	Heavy Duty

SCRAPER OPTIONS	
107-3280	Rear Roller Scraper
107-2993-03	Wiehle Roller Scraper
110-1735	Comb Scraper Kit

\*Specifications and design subject to change without notice. Products depicted in this literature are for demonstration purposes only. Actual products offered for sale may vary in use, design, required attachments and safety features. See distributor for details on all warranties.





# Reelmaster® 5610 Specifications

	REELMASTER 5610 4WD, MODEL 03966*	REELMASTER 5610-D 4WD, MODEL 03956*
<b>ENGINE</b>	Kubota® 4-cylinder, liquid cooled, diesel engine. 44.2 hp (33 kW) @ 3000 rpm.	Yanmar® 3-cylinder, liquid cooled, turbo-diesel engine. 43.5 hp (32.4 kW), 74.4 ft. lbs. (105 Nm) torque, 1.64 liter displacement. Tier 4 Final Compliant.
<b>LUBRICATION</b>	Pressurized lubrication system with 5.0 quart (4.7 liter) capacity.	
<b>FUEL FILTER</b>	Replaceable spin-on fuel filter/water separator.	
<b>AIR CLEANER</b>	Heavy duty three-stage, radial seal air cleaner with restriction indicator.	
<b>COOLING</b>	Rear mounted radiator with industrial tube and fin construction, 6.3 fins per inch, 10.0 quart (9.5 liter) capacity.	
<b>FUEL TANK CAPACITY</b>	13.5 gallon (51.1 liter) capacity. Biodiesel-Ready for use up to B-20 (20% biodiesel and 80% petroleum blend).	
<b>HYDRAULIC OIL CAPACITY</b>	9.0 gallon (34.1 liter) capacity.	
<b>TRACTION DRIVE</b>	Electronically controlled hydrostatic pump with individual wheel motors. CrossTrax® All-Wheel Drive system standard, which transfers power from the front wheels to the opposite rear wheels via independent rear wheel motors.	
<b>GROUND SPEED</b>	0-10 mph (0-16 km/hr) forward transport; 0-8 mph (0-12.8 km/hr) mow; 0-5 mph (0-8 km/hr) reverse transport; 0-4 mph (0-6.4 km/hr) reverse mow.	
<b>TIRES</b>	Front traction tires: 26.5 x 14-12 turf tires; Rear steer tires: 20 x 12-10.	
<b>MAIN FRAME</b>	High strength steel frame with welded construction.	
<b>BRAKES</b>	Dynamic braking through hydrostatic traction drive. Parking brake is activated when engine is turned off, when operator leaves seat, or by rocker switch.	
<b>STEERING</b>	Rear wheel, power steering with an independent hydraulic pump and circuit.	
<b>GAUGES</b>	InfoCenter™ onboard LCD display shows gauges, alerts/faults, service reminders, electrical system diagnostics, indicates fuel level, coolant temp., low oil pressure, alternator, engine hours, engine rpm, voltage, reel speed, backlap speed, glow indicator (diesel), lift/lower indicator.	
<b>CONTROLS</b>	Single foot-operated traction pedal. Hand-operated key ignition switch, mechanical throttle, cutting unit raise/lower joystick, cutting unit engage switch, parking brake switch, cruise control switch, and LED headlight switch all positioned on right hand pivoting control console.	Single foot-operated traction pedal. Hand-operated key ignition switch, cutting unit raise/lower joystick, cutting unit engage switch, parking brake switch, cruise control switch, and LED headlight switch all positioned on right hand pivoting control console.
<b>ELECTRICAL &amp; INTERLOCKS</b>	Heavy duty 12-volt battery, 570 CCA, 40 amp alternator. Electronic control unit is a microprocessor based, solid state control unit with diagnostic capabilities. Traction pedal, parking brake, operator presence in seat, and cutting unit engage/disengage safety interlock switches.	
<b>REEL DRIVE</b>	Reel drive circuit is split independently for front and rear cutting units. Hydraulic functions controlled by an integrated hydraulic control block. Reel speeds are electronically adjustable in nine incremental settings. Desired clip rate remains consistent as max mow speed is adjusted. Standard on-board backlapping.	
<b>CUTTING UNIT LIFT/LOWER</b>	Front and rear cutting unit lift/lower is sequenced for uniform starting and ending points.	
<b>SEAT</b>	Deluxe high back suspension seat with fore, aft, height and weight adjustment.	
<b>ROPS</b>	Standard with seat belt	
<b>HEIGHT</b>	63" (160 cm) seat top, 85.5" (217.2 cm) top of ROPS.	
<b>LENGTH</b>	111" (281.9 cm)	
<b>WHEEL BASE</b>	60" (152.4 cm)	
<b>OPERATIONAL WIDTH</b>	116" (288.3 cm)	
<b>TRANSPORT WIDTH</b>	92" (233.7 cm)	
<b>WEIGHT</b>	3,213 lbs (1,458 kg)	3,261 lbs (1,480 kg)
<b>CERTIFICATION</b>	Complies with ANSI B71.4 and CE requirements. Certain machine configurations require rear weight kits for standards compliance, see Operator's Manual for details.	
<b>WARRANTY</b>	Two-year limited warranty. Refer to the Operator's Manual for further details.	

\*Specifications and design subject to change without notice. Products depicted in this literature are for demonstration purposes only. Actual products offered for sale may vary in use, design, required attachments and safety features. See distributor for details on all warranties.





# Reelmaster® 5610 Accessories\*

8 AND 11-BLADE CUTTING UNITS, MODELS 03638, 03639, 03641, AND 03643	
<b>TYPE</b>	5-plex, hydraulically driven, balanced cutting units with adjustable rear weight transfer spring. Cutting units feature quick disconnect for removal/installation and are interchangeable to all positions. Cutting units also feature rear throw capability.
<b>SIZE</b>	22" (56 cm) wide, 7" (17.8 cm) diameter, 8 and 11 blade cutting units.
<b>WIDTH OF CUT</b>	100" (254 cm)
<b>HOC RANGE</b>	8-Blade: 0.5"-2.0" (13-51 mm), 11-Blade: 0.25" - 0.75" (6-19 mm)
<b>REEL SPEED</b>	Manually controlled, variable reel speed for control of clip frequency. Reel speeds are incrementally adjustable between 200-1,650 rpm with a backlap speed of 200 rpm.
<b>BEDKNIFE ADJUSTMENT</b>	Dual Precision Adjustment (DPA), bedknife to reel.
<b>ROLLERS</b>	3" (7.6 cm) diameter, deep groove plastic Wiehle front roller. 3" (7.6 cm) diameter steel rear roller. Other roller configurations optional.

UNIVERSAL GROOMER, MODEL 03763	
<b>TYPE</b>	Forward, Reverse & Neutral. Rotating blades with optional Broomer™ brush strips that are woven within the blade helix for full width turf contact.
<b>GROOMING WIDTH</b>	20.5" (52.1 cm)
<b>GROOMING RANGE</b>	0-0.25" (0-6.4 mm) below height of cut when engaged, 0-0.25" (0-6.4 mm) above height of cut when disengaged.
<b>BLADES</b>	2.5" (6.4 cm) diameter, 0.042" (1 mm) thick heat treated spring steel blades with 0.5" (12.7 mm) spacing.

POWERED REAR ROLLER BRUSH, MODEL 03408	
<b>TYPE</b>	Rotating, helically woven, stiff bristled brush. Spring loaded belt drive.
<b>CONTACT POINTS</b>	Tightly woven 11 point contact.
<b>SPIN RATE</b>	Rapid 2000 rpm spin rate.

CUTTING UNITS	
03638	7" (17.8 cm) 8-blade DPA, RR cutting unit
03639	7" (17.8 cm) 8-blade DPA, FSR cutting unit
03641	7" (17.8 cm) 11-blade DPA, FSR cutting unit
03643	7" (17.8 cm) 11-blade DPA, RR cutting unit
03619	7" (17.8 cm) verticutter cutting unit

TRACTION UNIT ACCESSORIES	
03667	Air-ride Seat Suspension
03614	Golf Ball Guard

TRACTION UNIT SUNSHADE	
30669	Universal Sunshade - White
30671	Universal Sunshade - Red
03248	Switch Panel
03247	Operator Cooling Fan
140-1554	Worklights
138-2699	Beacon
138-2994	Wire Harness

7" (17.8 cm) CUTTING UNIT ACCESSORIES	
03768	Universal Groomer
03772	22" (56 cm) Groomer Cartridge
03767	Grooming Brush Cartridge
03418	Universal Only Weight Kit
03659	Powered rear roller brush for groomers
03419	Universal w/RRB Weight Kit
03408	Powered rear roller brush only
03405	Weight for cutting units without attachments
03415	Flex Grass Basket
131-6845	Flex Groomer Rod Kit

BEDKNIFE OPTIONS	
137-6094	EdgeMax™
147-1245	Standard
137-6093	EdgeMax Low Cut
147-1244	Low Cut
119-4280	EdgeMax Extended Low Cut
147-1243	Extended Low Cut
147-1246	Heavy Duty

SCRAPER OPTIONS	
107-3280	Rear Roller Scraper
107-2993-03	Wiehle Roller Scraper
110-1735	Comb Scraper Kit

\*Specifications and design subject to change without notice. Products depicted in this literature are for demonstration purposes only. Actual products offered for sale may vary in use, design, required attachments and safety features. See distributor for details on all warranties.



**TORO**

## Reelmaster® 7000-D

The Reelmaster 7000-D is a multi-use, heavy-duty reel mower designed for productivity and performance in the most extreme fairway and rough conditions. We started with patented DPA cutting units that manicure your turf and save you time with easy set-up and long-lasting adjustments. Then, we added a 55 horsepower (41 kW) Yanmar® diesel engine, high-torque reel motors, and the SmartCool® auto-reversing fan system so southern grasses and high heat don't stand a chance. Finally, we combined it all with a whopping 126" (320 cm) width-of-cut! This mower has it all – power, productivity, and superior aftercut appearance. By the way, it's also an overseeding monster!





# Reelmaster® 7000-D Specifications

REELMASTER 7000-D, MODEL 03780*			
<b>ENGINE</b>	Tier 4 emission compliant Yanmar® 4-cylinder, liquid-cooled diesel engine, 55 hp (41 kW)		
<b>LUBRICATION</b>	6-quarts (5.7 liters)		
<b>AIR CLEANER</b>	Dry, replaceable primary and safety elements.		
<b>ENGINE COOLING</b>	Rear-mount, aluminum, 6 fins per inch, 9 quart (8.5 liters) capacity.		
<b>FUEL TANK CAPACITY</b>	22 gallons (83 liters) diesel fuel. Biodiesel-Ready for use up to B-20 (20% biodiesel and 80% petrol blend).		
<b>HYDRAULICS/COOLING</b>	8.25 gallon (31.3 liter) capacity with 10 micron remote spin-on filter, aluminum side-mounted cooler. Variable speed hydraulic fan drive with automatic (based on coolant and oil temps) and manual reversing capabilities.		
<b>MAIN FRAME</b>	All welded formed-steel frame with integral tie-down anchors.		
<b>TRACTION DRIVE</b>	Full-time, bi-directional, hydrostatic, closed-loop, 4WD transmission.		
<b>GROUND SPEED</b>	Transport: 0-14 mph (0-22.5 km/h) forward, 0-7 mph (0-11 km/h) reverse. Mow: 0-7 mph (0-11 km/h) forward.		
<b>TIRES</b>	Front: 31x13.5-15, 4-ply turf tire. Rear: 20 x 12-10, 4-ply Multi-Trac tread. 12-15 PSI recommended range.		
<b>BRAKES</b>	Mechanically actuated, internal wet disc brakes. Individual foot-operated steering brake control of left and right wheel or lock pedals together.		
<b>STEERING</b>	Power steering with dedicated power source, tilt steering.		
<b>GAUGES/INDICATORS</b>	Onboard LCD InfoCenter™ display shows alerts, faults, service reminders, electrical systems diagnostics, coolant temp., low oil pressure, alternator, engine hours, engine rpm, voltage, reel speed, backlap speed, glow indicator, lift/lower indicator.		
<b>SEAT</b>	Premium air ride suspension seat with full range of adjustments; retractable seat belt.		
<b>CONTROLS</b>	Ignition switch, LED headlight switch, hand-operated throttle, foot-operated traction pedal, joystick for cutting unit lift, mow/transport selector switch, lockable individual brake pedals, park brake.		
<b>ELECTRICAL &amp; INTERLOCKS</b>	12-volt, 650 CCA battery, 80 amp alternator. Overload protection with automotive type fuses. Interlocks for: starting, operator presence, mowing, transport and parking brake.		
<b>DIAGNOSTICS</b>	Diagnostics pressure test ports: forward and reverse traction, cutting unit circuit 1 & 2, lift, steering, traction charge and fan		
<b>REEL OPTIONS</b>			
<b>DIMENSIONS WITH CUTTING UNITS</b>	<b>All 27" CUs or 32" in the rear</b>		
	<b>All 32" CUs</b>		
	Overall length w/cutting units down	136" (345 cm)	141" (358 cm)
	Transport width	94" (239 cm)	94" (239 cm)
	Mow width	121" (307 cm)	126" (320 cm)
Height w/2-post ROPS	87" (220 cm)	87" (220 cm)	
<b>WEIGHT</b>	4,300 lbs. (1950 kg) - with full fluids, no cutting units.		
<b>SAFETY CERTIFICATION</b>	Complies with American National Standards Institute (ANSI B71.4-2012) and applicable CE (EN ISO 5395) requirements.		
<b>WARRANTY</b>	Two-year limited warranty. Refer to the Operator's Manual for further details.		

Cutting Units*: 27" 8-BLADE, MODEL 03721    27" 11-BLADE, MODEL 03722    32" 8-BLADE, MODEL 03727	
<b>TYPE</b>	Hydraulically driven, with adjustable rear weight transfer spring. Interchangeable to all positions with rear throw capability.
<b>SIZE</b>	7" (17.8 cm) diameter, 27" (68.6 cm) wide, 8 & 11" blade cutting units and 32" (81.3 cm) 8-blade cutting units.
<b>WIDTH OF CUT</b>	121" (307 cm) or 126" (320 cm)
<b>HOC RANGE</b>	0.25"-1.5" (6.4-38.1 mm)
<b>REEL SPEED</b>	Manually controlled, variable reel speed, incrementally adjustable between 200-1,650 rpm with a backlap speed of 200 rpm.
<b>BEDKNIFE ADJUSTMENT</b>	Dual Precision Adjustment (DPA), bedknife to reel.
<b>ROLLERS</b>	3" (7.6 cm) diameter, deep groove plastic front Wiehle roller. 3.0" (7.6 cm) diameter steel rear roller (other roller configurations optional).

\*Specifications and design subject to change without notice. Products depicted in this literature are for demonstration purposes only. Actual products offered for sale may vary in use, design, required attachments and safety features. See distributor for details on all warranties.







# Reelmaster® 7000-D Accessories\*

CUTTING UNITS	
03721	27" 8-Blade DPA Cutting Unit
03722	27" 11-Blade DPA Cutting Unit
03727	32" 8-Blade DPA Cutting Unit
03731	27" Verticutter Cutting Unit

ROLLERS	
137-6121	27" Full Front Roller
137-6127	32" Full Front Roller
119-0630	27" Shouldered Wiehle Roller
119-0640	32" Shouldered Wiehle Roller
119-4286	27" Short Rear Roller
119-4288	32" Short Rear Roller

TRACTION UNIT ACCESSORIES	
03614	Golf Ball Guard

TRACTION UNIT SUNSHADE	
30669	Universal Sunshade - White
30671	Universal Sunshade - Red
03248	Switch Panel
03247	Operator Cooling Fan
140-1554	Worklights
138-2699	Beacon
138-2995	Wire Harness

SCRAPER OPTIONS	
114-9372-03	27" Wiehle Roller
114-9373-03	32" Wiehle Roller
114-9386-03	27" Full Front Roller
114-9387-03	32" Full Front Roller
114-9381-03	27" Shouldered Wiehle Roller
114-9382-03	32" Shouldered Wiehle Roller
114-9368	27" Rear Roller Scraper Kit
114-9369	32" Rear Roller Scraper Kit
114-9376	27" Front Roller Comb/Scraper Kit
114-9377	32" Front Roller Comb/Scraper Kit

BEDKNIFE OPTIONS	
147-1249	27" Standard (Production)
147-1253	32" Standard (Production)
147-1250	27" Heavy-Duty Fairway
147-1254	32" Heavy-Duty Fairway
147-1248	27" Ext. Low Cut Fairway
147-1252	32" Ext. Low Cut Fairway

CUTTING UNIT ACCESSORIES	
03768	Universal Groomer
03778	27" Groomer Cartridge
03418	Universal Only Weight Kit
03242	27" Universal RRB Kit
03419	Universal w/RRB Weight Kit
03405	End Weight Kit
03243	27" Rear Roller Brush Kit (up to 2" HOC only)
03246	32" Rear Roller Brush Kit (up to 2" HOC only)
140-5514	27" Roller Brush (High HOC > 1" on 03186)
140-5513	32" Roller Brush (High HOC > 1" on 03187)
133-8222	27" Broomer Kit
119-0649	27" Collar Kit for Wiehle Roller (6)
119-0649	32" Collar Kit for Wiehle Roller (6)
110-4086	Rear Roller Brush / Groomer Rebuild Kit
114-5430	Roller Rebuild Kit
115-0803	Roller Rebuild Tool Kit

OTHER ACCESSORIES	
117-0975	Rear Bearing Installation Tool
108-6715	HOC Gauge Bar
29-9100	Backlap Brush and Handle
04399	Turf Evaluator

\*Specifications and design subject to change without notice. Products depicted in this literature are for demonstration purposes only. Actual products offered for sale may vary in design, required attachments and safety features. Consult your Toro Distributor.



**TORO**

## **Greensmaster® eTriFlex™ 3360 with GeoLink® Mow**

**NEW**

Backed by over a century of golf expertise, Toro's GeoLink® Solutions™ Autonomous Fairway Mower combines the trusted excellence of the TriFlex platform with advanced GeoLink autonomous technology to help golf courses do more with less. Equipped with GeoLink Mow technology, which allows for manual or autonomous operation, a user can supervise one or more units while performing other work on the golf course.





# Greensmaster® eTriFlex™ 3360 with GeoLink® Mow Specifications

GREENSMASER eTRIFLEX 3360, MODEL 04580AA*	
<b>POWER SOURCE</b>	Engine: Kawasaki 14.5 HP (10.8 kW) @3600 rpm, gasoline, air-cooled, twin-cylinder, governed to 2400 rpm, displacement 36.8 cu-inch (603cc). Electrically-actuated choke .Generator: 48V 5400W air cooled brushless permanent magnet motor in parallel with four 12V 33AH AGM batteries (connected in series). Generator is used to start engine
<b>ENERGY CAPACITY</b>	4.9 gallons (18.5 liter) gasoline
<b>ELECTRICAL SYSTEMS</b>	48V System for traction motor circuit, steering motor circuit, cutting unit motor circuit and lift / lower actuator circuit. 12V system for primary controls and brake actuator. 24V Safety System and autonomous control system.
<b>DIAGNOSTICS</b>	Advanced machine diagnostics available through the InfoCenter™. Additional autonomous and machine diagnostics available via the GeoLink Mow app.
<b>POWER STEERING</b>	48V electric steering motor with torque feedback device
<b>TRACTION DRIVE</b>	Positive 2WD traction drive: Two, brushless permanent magnet traction motors coupled to a gearbox. Optional 3WD. (patent-pending).
<b>RDS™ SYSTEM</b>	<b>Radius Dependent Speeds</b> – Clip Rate: Maintains consistent cutting unit clip rate in turns on each individual reel (patented). Wheel Speed Control: Individual wheel speed control during turns (patent-pending).
<b>GROUND SPEED</b>	Mowing 0-5 mph (0-8 km/h); Transport 0-10 mph (0-16 km/h); Reverse 0-5 mph (0-8 km/h). Selective slow down feature for turning in mowing mode. Automatic slow down at high transport speeds when turning. Autonomous mowing 0-5 mph (0-8 km/h), transport 0-3.4 mph (0-5.5 km/h), reverse disabled when in autonomous mode.
<b>CUTTING UNIT DRIVE</b>	Three, 48V (1.1 KW), air-cooled brushless permanent magnet motors with separable controller.
<b>CUTTING UNIT LIFT SYSTEM</b>	48V electric linear actuators with fully integrated brushless permanent magnet motor and controller. Fully sealed with splash guard. Center lift actuator drop and raise delay is dependent on machine velocity.
<b>VERTICUTTING</b>	Yes; only in manual mode with appropriately configured cutting units
<b>BACKLAPPING</b>	Standard, on-board and adjustable speed from 200-520 RPM
<b>CONTROLS</b>	Traction Pedal: Forward/Neutral/Reverse; Joystick: Raise/Lower; Function control switch: Neutral, Mow, Transport; Key switch; Steering Arm Lock Pedal; Brake pedal; Parking Brake; InfoCenter; Seat Adjusting Lever; Main Power Connectors; Fuel-Shutoff Valve; Autonomous Mode Engage Switch, and GeoLink Mow application.
<b>INFOCENTER™</b>	InfoCenter: Onboard LCD display shows gauges, alerts/faults, service reminders, electrical system diagnostics, low oil pressure, alternator, engine hours, engine rpm, voltage, functional control status, parking brake status, reel speed setting, backlap control, clip control, calibration of 48V components.
<b>BRAKES</b>	Traction motor regenerative braking; foot pedal service/parking brake, linear-actuated automatic parking brake.
<b>TIRES/WHEELS/PRESSURES</b>	Three, 19x10.5x8, 4-ply rating pneumatic tubeless and demountable. Smooth tread. Tire pressure 12-16 psi (83-110 kPa) front and rear. Optional turf treaded tires
<b>WEIGHT WITH 8-BLADE FAIRWAY CUTTING UNITS</b>	1,855 lbs (841 kg)
<b>NOISE LEVEL (DBA)</b>	Sound Power: 91 db(A) Operator Ear: 73 db(A) Bystander: 25ft – 78 db(A), 50ft – 73 db(A), 100ft – 66 db(A)
<b>GROUND CLEARANCE</b>	3.8" (9.7cm) ground clearance. Three, tie down locations (2 side, 1 rear).
<b>WIDTH OF CUT</b>	59" (150cm)
<b>CUTTING UNIT SUSPENSION</b>	Double A-Arm Suspension utilizing sealed ball joints allows free cutting unit motion in pitch and yaw. Links system for the roll. Lift in Turn: Provides a level cut from side to side of cutting units regardless of turning angle (patented).
<b>QUICK-CONNECT CUTTING UNITS</b>	Snap-on cutting unit and reel motors (no tools required).
<b>OPTIONAL ATTACHMENTS</b>	8, 11, or 14-blade Cutting Units, Groomers, Rear Roller Brushes, Light Kit, Variety of Front Rollers, Thatching Reels, Tri-Roller, Spiker, 3-Wheel Drive Kit, Standard or Premium Seat, Wireless Hour Meter, Bag Kit, Spark Arrestor.
<b>MAINTENANCE</b>	No grease points
<b>OVERALL DIMENSIONS</b>	Width: 73" (185cm) Length: 94" (239cm) (no collection baskets) Height: 83" (211cm) Wheelbase: 49.8" (126.5cm) Minimum Turning Radius to machine center line, manual mode: 35.9" (91cm). Turning radius for autonomous mode: 47.2" (120cm)
<b>WARRANTY</b>	Two-year limited warranty. Refer to the Operator's Manual for further details.

\*Specifications and design subject to change without notice. Products depicted in this literature are for demonstration purposes only. Actual products offered for sale may vary in use, design, required attachments and safety features. Consult your local Toro Distributor.





# Greensmaster® eTriFlex™ 3360 with GeoLink® Mow Specifications\*

8-BLADE DPA CUTTING UNIT, MODEL 04657	
<b>DPA CUTTING UNITS</b>	Patented design allowing reel/bedknife behind centerline aggressiveness to maintain constant through the service life of the reel.
<b>HEIGHT OF CUT (HOC) RANGE</b>	Cutting height is adjusted on front roller by two vertical screws and held by two locking cap screws, and includes High HOC kit. Bench HOC range is 0.25" - 1.0" (6.4 - 25.4mm). Effective HOC may vary depending on turf conditions and bedknife installed.
<b>REEL WELDMENT</b>	Reels are 5" (13 cm) in diameter, 21" (53.3 cm) in length. <b>EdgeSeries™</b> Reels blades are welded to 5 stamped steel spiders, and heat treated. The reel is ground for diameter and concentricity, and relief grind.
<b>REEL BEARINGS</b>	Two stainless steel ball bearings, 30 mm inside diameter slip fit onto reel shaft retained by internally splined threaded insert. Low drag seals/slingers for added protection with o-ring sealed motor and counterweight. Reel position maintained by a wave washer with no adjusting nut.
<b>MAINTENANCE</b>	No grease zerks, sealed bearing design eliminates daily maintenance.
<b>REEL DRIVE</b>	The reel weldment shaft is a 1.375" (35 mm) diameter tube with internally splined threaded insert.
<b>FRAME</b>	Precision machined, die-cast aluminum cross member with two bolt-on die-cast aluminum side plates.
<b>BEDKNIFE</b>	Replaceable single-edged, EdgeMax™ fairway bedknife standard.
<b>BEDKNIFE ADJUSTMENT</b>	Dual screw, indexed "click" adjustment to the reel; detents correspond to .0007" (.018 mm) bedknife movement for each position.
<b>FRONT &amp; REAR ROLLERS</b>	Front: Aluminum high HOC wide Wiehle roller and HD scraper. Rear: Steel 2" (5.1 cm) diameter full rear roller and Rear Roller Brush kit.
<b>GRASS SHIELD</b>	Non-adjustable shield and cut-off bar for controlled grass dispersion.
<b>TOTAL WEIGHT</b>	8-blade: 99 lbs (45 kg)

\*Specifications and design subject to change without notice. Products depicted in this literature are for demonstration purposes only. Actual products offered for sale may vary in use, design, required attachments and safety features. Consult your local Toro Distributor.





# Greensmaster® eTriFlex™ 3360 with GeoLink® Mow Accessories

## GREENSMASER eTRIFLEX ACCESSORIES\*

eTRIFLEX TRACTION UNIT ACCESSORIES	
144-3664	Traction Tire, Treaded
04504	3-Wheel Drive Kit
04500	Light Kit
137-7945	Rear Light Kit
121-3660	Left Armrest Kit - Standard
119-7105	Armrest Kit - Premium
137-8098	Spark Arrestor Kit (Gas)
137-8130	Utility Bag Kit
115-4754	Wireless Hour Meter
133-1308	Seat cover

OPTIONAL eTRIFLEX ACCESSORIES	
04720	Thatching Reel - TriFlex (set of 1) for model 04580 only
119-1128	Individual dynaBLADE, 2mm thickness
117-6824	Individual dynaBLADE, 1.2mm thickness
117-6839	Replacement dynaBLADE kit, 1.2mm thickness (36 blades)
117-6840	Replacement dynaBLADE kit, 2mm thickness (36 blades)
121-6674	Individual Spring Steel Blade
121-6675	Replacement Spring Steel Blade Kit (36 pcs)
04722	Greens Tri-Roller - TriFlex (set of 1)
04723	Greens Spiker - TriFlex (set of 1)

eTRIFLEX DPA CUTTING UNITS	
04651	EdgeSeries™ 8-Blade Cutting Unit
04657	EdgeSeries™ 8 Blade HHOC Cutting Unit (for fairway applications)
04653	EdgeSeries™ 11-Blade Cutting Unit
04655	EdgeSeries™ 14-Blade Cutting Unit

GROOMER OPTIONS	
04648	Universal Groomer Drive
04802	Groomer Reel - Twin Tipped
04270	Grooming Brush, Soft
04271	Grooming Brush, Stiff
04650	Rear Roller Brush Kit (Univ Groomer)

ROLLER OPTIONS	
04257	Full Roller DPA
04255	Narrow Wiehle Roller DPA
04256	Wide Wiehle Roller DPA
04249	Full Split Roller
04250	Wiehle Split Roller
04628	Solid Steel Roller Kit (Front Wide Wiehle, Rear Full)
71-1550	2" Rear Wiehle Roller (cast iron)
125-5180	Rear Roller Extension Kit
120-9600	High Height of Cut Kit (.35 - .94)
04258	Extended Wiehle Roller
04267	Paspalum Wiehle Roller

FRONT ROLLER SCRAPER OPTIONS	
125-3503	Narrow Wiehle Roller Scraper
125-3504	Wide Wiehle Roller Scraper
125-3505	Full Roller Scraper
115-7377	Narrow Wiehle Roller Scraper Brush
115-7378	Wide Wiehle Roller Scraper Brush
115-7379	Full Roller Scraper Brush
115-7380	Narrow Wiehle Roller Scraper Comb
115-7381	Wide Wiehle Roller Scraper Comb
115-7382	Full Roller Scraper Comb
107-9561	Anti Bobbing Roller - Scraper Kit (Front and Rear)

REAR ROLLER SCRAPER OPTIONS	
132-0723	RRB Adapter Kit (04650 for RRB only)
04646	Roller Scraper (Spring Loaded)
121-2260	Roller Scraper - Adjustable

BEDKNIFE & BEDBAR OPTIONS	
115-1880	EdgeMax™ Microcut Bedknife
115-1881	EdgeMax™ Tournament Bedknife
93-4262	Microcut Bedknife
93-4263	Tournament Bedknife
93-4264	Low Cut Bedknife
94-6392	Bedknife - High Cut
108-4303	Extended Microcut Bedknife
108-4302	Extended Tournament Bedknife
137-6097	Bedknife - Fairway
99-3794-0P	DPA Bedbar, Aggressive (optional)
106-2648-01	DPA Bedbar, Less Aggressive (standard)
137-6092	EdgeMax™ Fairway Bedknife
139-4320	EdgeMax™ Short Microcut Bedknife
139-4321	EdgeMax™ Short Tournament Bedknife

TOOLS	
04399	Turf Evaluator
125-5610	Paper - Reel
140-5531	Shim - Reel
94-9010	Height of Cut Bar Assembly

\*Specifications and design subject to change without notice. Products depicted in this literature are for demonstration purposes only. Actual products offered for sale may vary in use, design, required attachments and safety features. Consult your local Toro Distributor.





**NEW**



## Turf Pro™ 500/300 & Range Pro™ 100

From performance and cost savings to more time to focus on the bottom line, the Toro Turf Pro and Range Pro put innovation and efficiency at your command. With GNSS RTK technology, the Turf Pro navigates with precision, enabling it to mow a consistent pattern with minimal overlap.

The Range Pro 100 autonomous golf ball picking robot enables you to give your staff other tasks, to extend your opening hours and even to lose fewer balls.

The mobile app allows you to remotely control your robot or fleet of robots. Start or stop your machines at any time from anywhere, receive alerts, create schedules, and automate certain processes.



**Turf Pro 500**



**Turf Pro 300**



**Range Pro 100**





# Turf Pro™ & Range Pro™ Specifications\*

	TURF PRO 500, MODEL 30921 (US or CAN) TURF PRO 500S, MODEL 30922 (US or CAN)	TURF PRO 300, MODEL 30923 (US or CAN)	RANGE PRO 100, MODEL 30931 (US or CAN)
BATTERY TYPE	LiFePO4		
NOMINAL VOLTAGE	25.6 V		
NOMINAL CAPACITY	19.2 Ah		
ENERGY	491.5 Wh		
WORKING TEMPERATURE RANGE	23°F to 140°F (-5°C to 60°C)		Discharge: 23°F to 140°F (-5°C to 60°C) Charge: 37.4°F to 134.6°F (3°C to 57°C)
AVERAGE WORKING TIME	110 minutes	280 minutes	110 minutes
AVERAGE TIME TO FULL CHARGE	90 minutes		
SECURITY PIN CODE	Yes		
GPS LOCATION	RTK Base Station – Model 30915		
ROBOT MANAGEMENT VIA SERVER & APP	Standard		
MAXIMUM WORKING AREA**	18.5 acres (74,867 m <sup>2</sup> )	11.1 acres (44,920 m <sup>2</sup> )	11.1 acres (44,920 m <sup>2</sup> )
RECOMMENDED WORKING AREA	13.6 acres (55,037 m <sup>2</sup> )	8.6 acres (34,803 m <sup>2</sup> )	7.4 acres (29,947 m <sup>2</sup> )
MOWING/PICKING WIDTH	40.7" (103.3 cm)	25" (63.3 cm)	37.6" (95.6 cm)
WORKING SPEED	2.2 mph (3.6 km/h)	1.7 mph (2.8 km/h)	2.2 mph (3.6 km/h)
MAXIMUM SLOPE	Turf Pro 500: 30% (17°) Turf Pro 500S: 45% (24°)	35% (19.5°)	30% (17°)
NUMBER OF CUTTING HEADS	5	3	N/A
NUMBER OF CUTTING BLADES	15	9	N/A
MINIMUM CUT HEIGHT (STANDARD DISC / LOW HEIGHT DISC)	0.75" / 0.6" (20 mm / 15 mm)		N/A
MAXIMUM CUT HEIGHT (STANDARD DISC / LOW HEIGHT DISC)	3.9" / 3.5" (100 mm / 90 mm)		N/A
ADJUSTMENT OF CUTTING HEADS	Electronic		
MAXIMUM NOISE LEVEL	52 dB		
WEIGHT	Turf Pro 500: 156.5 lbs (71 kg) Turf Pro 500S: 158.7 lbs (72 kg)	105.8 lbs (48 kg)	187.4 lbs (85 kg)
DIMENSIONS (LxWxH)	43.7 x 50.3 x 20.3" (111 x 127.8 x 51.5 cm)	39.4 x 41.1 x 18.3" (100.2 x 104.4 x 46.6 cm)	46.5 x 52.8 x 21.3" (118 x 134 x 54 cm)
SONAR FOR OBSTACLE DETECTION	5		4
RESISTIVE BUMPER FOR COLLISION DETECTION	1		
FRONT LIFT SENSORS	2	N/A	
REAR LIFT SENSORS	2		
REAR COLLISION SENSORS	2		
ROLL OVER / TILT SENSORS	1		
CUTTING HEAD DEFLECTORS	(2) 1 on each outer cutting head	N/A	
	<b>RANGE PRO 100 BALL PICKER</b>		
BASKET CAPACITY	320–350 balls		
MEAN BALL COLLECTION CAPACITY	15,600 balls/day		
MAXIMUM BALL COLLECTION CAPACITY	19,500 balls/day		
PICK UP DISKS	16, anti-friction pick-up discs		
WARRANTY	Limited 2-year Warranty. 1-Year Warranty: Front wheels, front wheel pivots, axles, bearings, cutting head bearings, pantographs, lift jack		

\*Specifications and design subject to change without notice. Products depicted in this literature are for demonstration purposes only.  
Actual products offered for sale may vary in use, design, required attachments and safety features. See distributor for details on all warranties.  
\*\*Mowing capacity and maximum working area may vary depending on the quality and layout of the terrain and the presence of obstacles.





# Vista® Series

Built for work and designed for comfort, Toro Vista provides transportation across any property with ease. Vista is available in 4, 6, and 8-passenger models. The polar white body and assortment of accessories allow for easy customization no matter the venue. Toro Vista is the perfect choice for any campus, event space, resort, and more. Impress your guests with quick and convenient transportation in the Toro Vista.



4-passenger



6-passenger



8-passenger



# Vista® Series Specifications

	VISTA (ELECTRIC), MODELS 08924, 08924TC, 08926, 08928	VISTA (GAS EFI), MODELS 08914, 08914TC, 08916, 08918
<b>POWER SOURCE</b>	Two HyperCell® Lithium-ion batteries standard, option to add an additional battery	408cc, air-cooled, single cylinder Briggs & Stratton® EFI gasoline engine
<b>CHARGER</b>	On-board high efficiency 900W smart charger   AC input voltage 100-240VAC   AC input Frequency 50/60 Hz   Max input Current 13.4 A	N/A
<b>VALVE TRAIN</b>	N/A	Single Cylinder Overhead Valve
<b>ELECTRIC MOTOR</b>	Brushless high-torque AC Induction Motor with 5.0 kW continuous power	N/A
<b>FUEL SYSTEM</b>	N/A	Electronic Fuel Injection
<b>HORSEPOWER (KW)</b>	6.7 HP (5 kW continuous)	14.0 HP (10 kW)
<b>KEY OR PEDAL START</b>	Pedal start standard	Key and pedal standard
<b>AIR CLEANER</b>	N/A	HD air filter
<b>LUBRICATION</b>	N/A	Splash Lube
<b>COOLING SYSTEM</b>	N/A	Air-cooled
<b>FUEL CAPACITY</b>	N/A	5 gallons (18.9 liters)
<b>FRAME</b>	Welded steel with A-coat primer and powder coat	
<b>BODY AND FINISH</b>	Injection molded TPO	
<b>OVERALL LENGTH</b>	<b>4-passenger:</b> 109" (277 cm)   <b>6-passenger:</b> 140.5" (357 cm)   <b>8-passenger:</b> 172" (437 cm)	
<b>OVERALL WIDTH</b>	44" (112 cm)	
<b>OVERALL HEIGHT (W/O ROOF)</b>	To top of steering wheel: 47.5" (121 cm)	
<b>OVERALL HEIGHT (W/ ROOF)</b>	To top of canopy: 73.9" 188 cm)	
<b>WEIGHT</b>	<b>4-passenger:</b> 890 lbs. (403 kg) including the required canopy kit   <b>6-passenger:</b> 930 lbs. (422 kg)   <b>8-passenger:</b> 1,075 lbs. (487 kg)	<b>4-passenger:</b> 880 lbs. (398 kg) including the required canopy kit   <b>6-passenger:</b> 920 lbs. (417 kg)   <b>8-passenger:</b> 1,065 lbs. (482 kg)
<b>WHEEL BASE</b>	<b>4-passenger:</b> 65.5" (166 cm)   <b>6-passenger:</b> 97" (246 cm)   <b>8-passenger:</b> 128.5" (326 cm)	
<b>INSTRUMENTS/DASH</b>	Display: Battery level indicator, estimated charge time, gear indicator, speedometer, diagnostics/fault codes. Dash: USB power port, headlight switch, on/off/neutral ignition key switch, forward/reverse switch, horn switch, turn signal switch (optional), hazard switch (optional), beacon switch (optional), two-cup holders, storage compartments.	Display: Gear indicator, speedometer, diagnostics/fault codes. Dash: USB power port, headlight switch, on/off/start ignition key switch, forward/reverse lever, horn switch, turn signal switch (optional), hazard switch (optional), beacon switch (optional), two-cup holders, storage compartments.
<b>GROUND CLEARANCE</b>	8.5" (21.6 cm) at the front with no operator   6.2" (15.7 cm) at the rear with no operator	
<b>SEATING CAPACITY</b>	4, 6, or 8-passenger options	
<b>VEHICLE LOAD CAPACITY</b>	<b>4-passenger:</b> 1,010 lbs. (458 kg) total   <b>6-passenger:</b> 1,520 lbs. (689 kg) total   <b>8-passenger:</b> 1,925 lbs. (873 kg) total   All totals include 200 lbs. (91 kg) operator and 200 lbs. (91 kg) for each passenger, load, accessories, and attachments.	<b>4-passenger:</b> 1,020 lbs. (463 kg) total   <b>6-passenger:</b> 1,530 lbs. (694 kg) total   <b>8-passenger:</b> 1,935 lbs. (878 kg) total   All totals include 200 lbs. (91 kg) operator and 200 lbs. (91 kg) for each passenger, load, accessories, and attachments.
<b>SPEED</b>	16 mph standard (25.75 km/h), adjustable from 5-19 mph (8-30.58 km/h)	16 mph standard (25.75 km/h), speed reduction kits available
<b>STEERING</b>	Rack and pinion	
<b>SUSPENSION</b>	4-wheel independent suspension with adjustable coil over shocks	
<b>SERVICE BRAKE</b>	4-wheel hydraulic disc	
<b>PARKING BRAKE</b>	Automatic parking brake	Foot pedal with accelerator pedal release
<b>TIRES (FRONT &amp; REAR)</b>	205 x 65-10, 6 ply	
<b>STANDARD</b>	LED Headlights, tail/brake lights, fold-down rear seat, back up alarm, horn, canopy + rearview mirror on 4-passenger models.	
<b>OPTIONAL ACCESSORIES</b>	Canopy, folding windshield, turn signals, beacon, side mirrors, rear view mirror, wide angle mirror, wink mirror, cargo bed (light duty), passenger cup holders.	
<b>WARRANTY</b>	Two-year or 1500 hour limited warranty. Lithium-Ion battery 5 years. Refer to the Operator's Manual for further detail.	







## Workman® UTX Series

The Workman UTX is a straightforward, no-nonsense, 4-wheel drive utility vehicle built to stand up to the toughest tests without compromising performance. With standard commercial-grade components, the highest payload in its class, and a proprietary speed control system, it's designed for the rigors of a long work week, not a few hours of recreation on the weekends. The Workman UTX has the muscle to blast through snowdrifts while still maintaining the ability to regulate speed and sound in sensitive areas. To raise the standard further, every Workman UTX features an integrated plow mount, power steering, turn signals, brake lights, and a spray-on bed liner.







# Workman® UTX Series Specifications

	WORKMAN UTX (GAS) MODELS 08100, 08101, 08100TC	WORKMAN UTX (DIESEL) MODELS 08102, 08103, 08102TC															
<b>ENGINE</b>	.998L, inline 4-cylinder, gasoline, 37.1 hp (27.7 kW), liquid-cooled	.993L, inline 3-cylinder, diesel, 24 hp (17.9 kW), liquid-cooled															
<b>STEERING SYSTEM</b>	Power steering standard. Rack and pinion with tilt steering wheel.																
<b>BRAKES</b>	4-wheel hydraulic disk brakes																
<b>SUSPENSION</b>	<b>Front Suspension:</b> MacPherson strut w/ adjustable coils <b>Rear Suspension:</b> Dual a-arm w/ adjustable coils																
<b>GROUND CLEARANCE</b>	9" (22.8 cm) 10" (25.4 cm) with optional tires																
<b>FUEL CAPACITY</b>	8.5 gallons (32.2 liters)																
<b>GROUND SPEED</b>	<b>Forward Ground Speed:</b> 45 mph (72.4 km/h). Adjustable down to 5 mph (8 km/h) <b>Reverse Ground Speed:</b> 15 mph (24.1 km/h). Adjustable down to 5 mph (8 km/h)	<b>Forward Ground Speed:</b> 25 mph (40.2 km/h). Adjustable down to 5 mph (8 km/h) <b>Reverse Ground Speed:</b> 15 mph (24.1 km/h). Adjustable down to 5 mph (8 km/h)															
<b>TRANSMISSION</b>	Continuously Variable Transmission (CVT) w/ clutch enclosure																
<b>GEAR SELECTION</b>	P, R, N, H, L																
<b>DIFFERENTIAL</b>	Selectable electronic locking, front and rear																
<b>TIRES/WHEELS</b>	<b>Front:</b> 25x9-12 on steel wheels (optional: 27x9-14 on aluminum wheels) <b>Rear:</b> 25x11-12 on steel wheels (optional: 27x11-14 on aluminum wheels)																
<b>SEAT BELTS</b>	3-point shoulder																
<b>INSTRUMENTS/DASH</b>	Digital display (system diagnostics, speed, rpm, 4WD indicator, gear selection, fuel level, coolant temperature, hour meter, warning lights)																
<b>DIMENSIONS</b>	<table border="1"> <thead> <tr> <th>Vehicle Configuration</th> <th>Width</th> <th>Length</th> <th>Height</th> <th>Wheel Base</th> </tr> </thead> <tbody> <tr> <td>2-Seat with Bed</td> <td>60.5" (153.6 cm)</td> <td>123.5" (313.6 cm)</td> <td>79" (200.6 cm)</td> <td>80" (203.2 cm)</td> </tr> <tr> <td>4-Seat with Bed</td> <td>60.5" (153.6 cm)</td> <td>159.5" (405.1 cm)</td> <td>79" (200.6 cm)</td> <td>116" (294.6 cm)</td> </tr> </tbody> </table>	Vehicle Configuration	Width	Length	Height	Wheel Base	2-Seat with Bed	60.5" (153.6 cm)	123.5" (313.6 cm)	79" (200.6 cm)	80" (203.2 cm)	4-Seat with Bed	60.5" (153.6 cm)	159.5" (405.1 cm)	79" (200.6 cm)	116" (294.6 cm)	
Vehicle Configuration	Width	Length	Height	Wheel Base													
2-Seat with Bed	60.5" (153.6 cm)	123.5" (313.6 cm)	79" (200.6 cm)	80" (203.2 cm)													
4-Seat with Bed	60.5" (153.6 cm)	159.5" (405.1 cm)	79" (200.6 cm)	116" (294.6 cm)													
<b>CARGO BED SIZE INTERNAL</b>	<b>Loading Dimensions:</b> <b>Width:</b> 56" (142.2 cm) <b>Length:</b> 44.5" (113 cm) <b>Height:</b> 11" (27.9 cm) <b>Total volume:</b> 17.05 ft³ (1.58 m³) <b>2-Seat Capacity:</b> 1,250 lbs (567 kg) <b>4-Seat Capacity:</b> 1,000 lbs (453.5 kg)																
<b>TOTAL VEHICLE CAPACITY</b>	GVW 4,000 lbs. (1814.3 kg)																
<b>TOWING CAPACITY</b>	2,000 lbs. (907 kg) 2" (5 cm) receiver standard both front and rear																
<b>PLOW MOUNT</b>	Integrated plow mount standard																
<b>LIGHTING</b>	Standard - LED headlights, running lights, turn signals (Optional front and rear worklights)																
<b>WARRANTY</b>	Two-year or 1500 hour limited warranty. Refer to the Operator's manual for further details.																





# Workman® GTX Series

The Workman GTX is a grounds and turf crossover vehicle that boasts an unequalled combination of comfort, utility and control, making it simply superior to the competition. Its increased power, improved steering and exclusive suspension and braking systems make the Workman GTX the most versatile, practical and comfortable utility vehicle in its class.





# Workman® GTX Series Specifications

	WORKMAN GTX (GAS EFI), MODELS, 07409, 07411EX*	WORKMAN GTX – LIFTED (GAS EFI), MODEL 07059LT *	WORKMAN GTX (ELECTRIC), MODELS, 07410, 07412EX*		
<b>POWER SYSTEM</b>	429cc, air-cooled, single cylinder Kohler® EFI gasoline engine. Meets current EPA & CARB exhaust and evaporative emissions regulations.		48V brushless AC induction drive.		
<b>STEERING</b>	Manual rack and pinion steering system with ergonomically positioned column. Steering wheel has 2.75 turns lock-to-lock with 13.75" (35 cm) diameter.				
<b>TURNING RADIUS</b>	<b>Standard model:</b> turning clearance circle: 20.7' (6.3 m), inside turning radius: 60.25" (153 cm). <b>Extended model:</b> turning clearance circle: 31' (9.45 m), inside turning radius: 100" (254 cm).				
<b>BRAKES</b>	Front and rear wheel hydraulic disc brakes.				
<b>SUSPENSION</b>	FRONT - Modified MacPherson Strut. REAR - Articulating Swing Arm. Adjustable Coil Over Shocks at all four wheels.				
<b>SUSPENSION TRAVEL</b>	Front Suspension Travel: 3.5" Rear Suspension Travel: 4".				
<b>FUEL CAPACITY</b>	5 gallons (18.9 liters)		N/A		
<b>GROUND SPEED</b>	16 mph (25.6 km/h) governed. Speed reduction kits available.		16 mph (25.6 km/h), adjustable.		
<b>TRANSAXLE</b>	11.47:1 Forward, 14.35:1 Reverse		17:1 double-reduction high torque.		
<b>GROUND CLEARANCE</b>	Front: 9" (22.8 cm), Rear: 6" (15.2 cm)	Front: 12" (30.4 cm), Rear: 7" (17.8 cm)	Front: 9" (22.8 cm), Rear: 6" (15.2 cm)		
<b>TIRES</b>	20 x 8-10, 4-ply. Or alternate 4-ply/6-ply.	22 x 9.5-12, 4-ply. Or alternate 4-ply/6-ply.	20 x 8-10, 4-ply. Or alternate 4-ply/6-ply.		
<b>WHEELS</b>	10" (25.4 cm) steel	12" (30.5 cm) aluminum	10" (25.4 cm) steel		
<b>BATTERIES</b>	One 12-volt starter battery		Eight Trojan® T-125 Advanced Deep Cycle 6V batteries featuring a single port fill system and water level indicators.		
<b>CONTROLLER</b>	N/A		540 amps max with regenerative motor braking, roll-away protection, thermal cutback, sealed/ waterproof, status light and three power modes.		
<b>CHARGER</b>	N/A		On-board high efficiency 1kW smart charger with 85-265VAC global input, temperature controlled, sealed & waterproof, remote indicator viewable at charge port.		
<b>ELECTRIC MOTOR</b>	N/A		Brushless high-torque AC Induction motor with 5.0kW continuous power.		
<b>INSTRUMENTS/DASH</b>	Hour meter, fuel gage, USB power port, headlight switch, on/off ignition key switch, horn, gear selector and parking brake lever. Two cup holders, radio holder and three in-dash storage compartments.		Hour meter, battery level indicator, USB power port, headlight switch, on/off ignition key switch, gear selector and parking brake lever. Two cup holders, radio holder and three in-dash storage compartments.		
<b>STARTING</b>	Pedal or key start capability standard.		Pedal start.		
<b>DIMENSIONS</b>	<b>Vehicle Configuration</b>	<b>Width</b>	<b>Length</b>	<b>Height:</b>	<b>Wheel Base</b>
	2-Seat with Bed (GTX Std.)	47" (119.3 cm)	119" (302 cm)	50.2" (127 cm)	77.8" (197 cm)
	2-Seat with Bed (GTX Lifted)	47" (119.3 cm)	119" (302 cm)	53.2" (135 cm)	77.8" (197 cm)
	4-Seat with Bed (GTX Std.)	47" (119.3 cm)	144" (366 cm)	50.2" (127 cm)	114" (290 cm)
	2-Seat with 6' Flat Bed (GTX Std.)	47" (119.3 cm)	156" (396 cm)	50.2" (127 cm)	114" (290 cm)
<b>CAB DIMENSIONS INSTALLED</b>	<b>Height:</b> 79" (201 cm) <b>Width:</b> 56" (142 cm)	<b>Height:</b> 82" (208 cm) <b>Width:</b> 56" (142 cm)		<b>Height:</b> 79" (201 cm) <b>Width:</b> 56" (142 cm)	
<b>CANOPY DIMENSIONS INSTALLED</b>	<b>Height:</b> 75.2" (191 cm) <b>Width:</b> 54.3" (138 cm)	<b>Height:</b> 78.2" (199 cm) <b>Width:</b> 54.3" (138 cm)		<b>Height:</b> 75.2" (191 cm) <b>Width:</b> 54.3" (138 cm)	
<b>WEIGHT</b>	<b>Vehicle Configuration</b>	<b>Weight</b>		<b>Vehicle Configuration</b>	<b>Weight</b>
	2-Seat with Bed	875 lbs. (397 kg)		2-Seat with Bed	1395 lbs. (633 kg)
	4-Seat with Bed	1150 lbs. (522 kg)		4-Seat with Bed	1670 lbs. (757 kg)
	2-Seat with 6' Flat Bed	1264 lbs. (573 kg)		2-Seat with 6' Flat Bed	1784 lbs. (809 kg)
<b>CARGO BED</b>	<b>Width:</b> 38.5" (97.8 cm) <b>Length:</b> 40" (101.6 cm) <b>Height:</b> 11" (27.9 cm)	<b>Capacity:</b> 800 lbs (363 kg)			
<b>VEHICLE CAPACITY</b>	2-seat with bed 1,200 lbs. (544 kg)				
<b>TOWING CAPACITY</b>	1,500 lbs. (680 kg) Class 1 – 1.25" receiver standard.				
<b>OPTIONAL ACCESSORIES</b>	Canopy, folding windshield, 4-seat configuration, flat bed, 6-foot flat bed, bed sides, storage box, trash can mount, bed racking, electric bed lift, brush guard, 12V outlet, Brake/tail/signal lights, ROPS certified hard cab, horn kit, back up alarm kit, parking brake alarm kit, L-track attachment system, all-terrain tire kit, 2-post ROPS kit, beverage cart, range cage, glass windshield, medical-bed.				
<b>WARRANTY</b>	Two-year or 1500 hour limited warranty. Three-year engine warranty. Refer to the Operator's manual for further details.				

\*Specifications and design subject to change without notice. Products depicted in this literature are for demonstration purposes only.

Actual products offered for sale may vary in use, design, required attachments and safety features. See distributor for details on all warranties.





# Workman® GTX Lithium Specifications

WORKMAN GTX (LITHIUM-ION BATTERY), 07413TC*											
<b>POWER SYSTEM</b>	48V brushless AC induction drive.										
<b>STEERING</b>	Manual rack and pinion steering system with ergonomically positioned column. Steering wheel has 2.75 turns lock-to-lock with 13.75" (35 cm) diameter.										
<b>TURNING RADIUS</b>	Turning clearance circle: 20.7' (6.3 m), inside turning radius: 60.25" (153 cm).										
<b>BRAKES</b>	Front and rear wheel hydraulic disc brakes.										
<b>SUSPENSION</b>	Front - Modified MacPherson Strut. Rear - Articulating Swing Arm. Adjustable coil over shocks at all four wheels.										
<b>SUSPENSION TRAVEL</b>	Front Suspension Travel: 3.5" Rear Suspension Travel: 4".										
<b>GROUND SPEED</b>	16 mph (25.6 km/h), adjustable.										
<b>TRANSAXLE</b>	11.47:1 Forward, 14.35:1 Reverse.										
<b>GROUND CLEARANCE</b>	Front: 12" (30.4 cm), Rear: 7" (17.8 cm).										
<b>TIRES</b>	22 x 9.5-12, 4-ply. Or alternate 4-ply/6-ply.										
<b>WHEELS</b>	12" (30.5 cm) aluminum.										
<b>BATTERIES</b>	Four Lithium-Ion batteries. 48V nominal.										
<b>CONTROLLER</b>	540 amps max with regenerative motor braking, roll-away protection, thermal cutback, sealed/waterproof, status light and three power modes.										
<b>CHARGER</b>	On-board high efficiency 900W smart charger. •AC Input Voltage: 100-240 VAC •AC Input Frequency: 50/60 Hz •Max AC Input Current: 10 A										
<b>ELECTRIC MOTOR</b>	Brushless high-torque AC Induction motor with 5.0kW continuous power.										
<b>TEMPERATURE REQUIREMENTS</b>	<b>Storage:</b> -22 to 113°F (-30 to 45°C) (3 months); 113 to 140°F (45 to 60°C) (1 month) <b>Charging:</b> Normal Charge (Full Current): 41 to 113°F (5 to 45°C); Pre Charge (Half Current): 14 to 41°F and 113 to 140°F (-10 to 5°C and 45 to 60°C) <b>Operation:</b> -4 to 140°F (-20 to 60°C)										
<b>INSTRUMENTS/DASH</b>	Hour meter, battery level indicator, USB power port, headlight switch, on/off ignition key switch, and parking brake lever. Two cup holders, radio holder, three in-dash storage compartments, speedometer, gear indicator, estimated charge time, and diagnostic/fault codes.										
<b>STARTING</b>	Pedal start.										
<b>DIMENSIONS</b>	<table border="1"> <thead> <tr> <th>Vehicle Configuration</th> <th>Width</th> <th>Length</th> <th>Height:</th> <th>Wheel Base</th> </tr> </thead> <tbody> <tr> <td>2-Seat with Bed (GTX Lifted)</td> <td>47" (119.3 cm)</td> <td>119" (302 cm)</td> <td>53.2" (135 cm)</td> <td>77.8" (197 cm)</td> </tr> </tbody> </table>	Vehicle Configuration	Width	Length	Height:	Wheel Base	2-Seat with Bed (GTX Lifted)	47" (119.3 cm)	119" (302 cm)	53.2" (135 cm)	77.8" (197 cm)
Vehicle Configuration	Width	Length	Height:	Wheel Base							
2-Seat with Bed (GTX Lifted)	47" (119.3 cm)	119" (302 cm)	53.2" (135 cm)	77.8" (197 cm)							
<b>CAB DIMENSIONS INSTALLED</b>	<b>Height:</b> 82" (208 cm) <b>Width:</b> 56" (142 cm)										
<b>CANOPY DIMENSIONS INSTALLED</b>	<b>Height:</b> 78.2" (199 cm) <b>Width:</b> 54.3" (138 cm)										
<b>WEIGHT</b>	<b>Vehicle Configuration:</b> 2-Seat with Plastic Cargo Bed <b>Weight:</b> 1,005 lbs. (455.9 kg)										
<b>CARGO BED</b>	<b>Width:</b> 38.5" (97.8 cm) <b>Length:</b> 40" (101.6 cm) <b>Height:</b> 11" (27.9 cm) <b>Capacity:</b> 800 lbs (363 kg)										
<b>VEHICLE CAPACITY</b>	2-seat with bed 1,200 lbs. (544 kg)										
<b>TOWING CAPACITY</b>	1,500 lbs. (680 kg) Class 1 – 1.25" receiver standard.										
<b>OPTIONAL ACCESSORIES</b>	Canopy, folding windshield, storage box, trash can mount, bed racking, electric bed lift, brush guard, 12V outlet, Brake/tail/signal lights, ROPS certified hard cab, back up alarm kit, parking brake alarm kit, 2-post ROPS kit, range cage, and glass windshield.										
<b>WARRANTY</b>	Two-year or 1500 hour limited warranty. Refer to the Operator's manual for further details. Battery Warranty: 5-year, unlimited hour.										

\*Specifications and design subject to change without notice. Products depicted in this literature are for demonstration purposes only.  
Actual products offered for sale may vary in use, design, required attachments and safety features. See distributor for details on all warranties.





# Workman® MDX Series

Utility vehicle featuring the Toro® SRQ™ suspension system for superior ride quality that delivers extraordinary stability, traction and operator comfort. SRQ combines with hefty payload and towing capacities to provide enhanced productivity to tackle the toughest jobs.







# Workman® MDX Series Specifications

	WORKMAN MDX, MODEL 07235*	WORKMAN MDX-D, MODEL 07236TC*
<b>ENGINE</b>	480 cc, air-cooled, two-cylinder, Briggs & Stratton® Vanguard®. Meets 2011 EPA & CARB exhaust & evaporative emissions regulations.	600 cc, liquid-cooled, 2-cylinder, Kubota® diesel. Biodiesel ready for use up to B-20 (20% biodiesel and 80% petroleum blend).
<b>SRQ™ SYSTEM</b>	Active In-Frame™ twister pivot joint, front and rear suspension.	
<b>FRONT SUSPENSION</b>	Modified MacPherson strut, adjustable coil over shock absorbers.	
<b>REAR SUSPENSION</b>	Trailing arm with adjustable coil over shock absorbers.	
<b>GROUND SPEED</b>	16 mph (25.6 km/h) governed. Optional 20 mph (32 km/h) requires ROPS and seat belts.	
<b>BRAKES</b>	Front wheel hydraulic disc. Rear wheel hydraulic drum.	
<b>STEERING</b>	Manual rack and pinion steering system with ergonomically positioned column. Steering wheel has 2.75 turns lock-to-lock with 13.75" (35 cm) diameter.	
<b>FRAME</b>	Welded steel channel and tube in body construction. Frame surfaces are dipped e-coat. Body and bed constructed of dent and corrosion-resistant polyethylene.	
<b>GROUND CLEARANCE</b>	Front: 10" (25.4 cm), Rear: 7" (18 cm)	
<b>TIRES</b>	Front: 22 x 9.5-10, 4-ply, Rear: 24 x 12-10, 4-ply. Optional all-terrain tires	
<b>FUEL CAPACITY</b>	6.5 gallons (24.6 liters)	
<b>DIMENSIONS</b>	<b>Width</b> 61.2" (155.4 cm)	<b>Length</b> 121.1" (307.5 cm) <b>Wheel Base</b> 80.4" (204.2 cm)
<b>CAB DIMENSIONS INSTALLED</b>	<b>Height</b> 79.2" (201.1 cm)	<b>Width</b> 64" (162.5 cm)
<b>CANOPY DIMENSIONS INSTALLED</b>	<b>Height</b> 79.5" (201.9 cm)	<b>Width</b> 61.2" (155.4 cm)
<b>TURNING CLEARANCE CIRCLE</b>	Inside rear tire: 87" (221), outside front tire: 257" (653 cm).	
<b>INSTRUMENTATION</b>	Hour meter, low oil pressure warning light, accessory power port, and horn. Dash has 2 cup holders, radio holder and glove box storage.	Hour meter, oil pressure, glow plug, coolant temperature, battery charge indicator lights and accessory power port. Dash has 2 cup holders, radio holder and glove box storage.
<b>STARTING</b>	Pedal start (optional key start)	Key start
<b>CARGO BED SIZE INTERNAL</b>	Length: 44.5" (113 cm), Width: 49" (125 cm), Height: 10.25" (26 cm), LLDPE resin.	
<b>TOTAL VEHICLE CAPACITY</b>	1,650 lbs. (750 kg)	
<b>CARGO BED PAYLOAD CAPACITY</b>	1,250 lbs. (567 kg)	
<b>TRAILER TOWING CAPACITY</b>	400 lbs. (182 kg) trailer, 50 lbs. (23 kg) tongue weight with standard hitch. 1,200 lbs. (544 kg) trailer, 100 lbs. (45 kg) tongue weight with heavy-duty tow hitch.	
<b>OPTIONAL ACCESSORIES</b>	Canopy, Folding Windshield, Electric Bed Lift, Brush Guard, ROPS, Brake/Tail/Signal Light Kit, Receiver Hitch, BOSS® Plow, Beverage Cart.	
<b>WARRANTY</b>	Two-year or 1500 hour limited warranty. Refer to the Operator's Manual for further details.	

\*Specifications and design subject to change without notice. Products depicted in this literature are for demonstration purposes only. Actual products offered for sale may vary in use, design, required attachments and safety features. See distributor for details on all warranties.





# Workman® MDX Lithium Specifications

WORKMAN MDX LITHIUM, MODEL 08303*	
<b>POWER SOURCE</b>	Lithium-Ion batteries with integrated Battery Management System (BMS)
<b>CHARGER</b>	On-board high efficiency 900W smart charger. -AC input voltage 100-240VAC -AC input Frequency 50/60 Hz -Max input Current 13.4 A
<b>SRQ™ SYSTEM</b>	Active In-Frame™ twister pivot joint, front and rear suspension.
<b>FRONT SUSPENSION</b>	Modified MacPherson strut, adjustable coil over shock absorbers.
<b>REAR SUSPENSION</b>	Trailing arm with adjustable coil over shock absorbers.
<b>GROUND SPEED</b>	16 mph (25.75 kph) standard, adjustable from 5-19 mph (8-30.5 kph)
<b>BRAKES</b>	All wheel hydraulic disc brakes. Integrated automatic parking brake.
<b>STEERING</b>	Rack and pinion steering system with ergonomic steering wheel that includes an intergrated clip.
<b>FRAME</b>	Welded steel channel and tube in body construction. Frame surfaces are dipped e-coat and powder coat finished. Body and bed constructed of dent and corrosion-resistant polyethylene.
<b>GROUND CLEARANCE</b>	Front: 10" (25.4 cm), Rear: 7" (18 cm)
<b>TIRES</b>	Front: 22 x 9.5-10, 4-ply, Rear: 24 x 12-10, 4-ply. Mounted on custom aluminum rims.
<b>DIMENSIONS</b>	Length/Width 121.1" (307.5 cm) 80.4" (204.2 cm). Wheel Base 61.2" (155.4 cm)
<b>CANOPY DIMENSIONS INSTALLED</b>	Height/Width: 79.5" (201.9 cm)/61.2" (155.4 cm)
<b>TURNING CLEARANCE CIRCLE</b>	Inside rear tire: 87" (221 cm), outside front tire: 257" (653 cm)
<b>INSTRUMENTATION</b>	Hour meter, battery level indicator, USB power port, headlight switch, on/off ignition key switch, and parking brake lever. Two cup holders, radio holder, in-dash storage compartments, speedometer, gear indicator, estimated charge time, and diagnostic/fault codes.
<b>STARTING</b>	Pedal start
<b>CARGO BED SIZE INTERNAL</b>	Length: 44.5" (113 cm), Width: 49" (125 cm), Height: 10.25" (26 cm), LLDPE resin
<b>TOTAL VEHICLE CAPACITY</b>	1,650 lbs. (750 kg)
<b>CARGO BED PAYLOAD CAPACITY</b>	1,250 lbs. (567 kg)
<b>TRAILER TOWING CAPACITY</b>	400 lbs. (182 kg) trailer, 50 lbs. (23 kg) tongue weight with standard hitch. 1,200 lbs. (544 kg) trailer, 100 lbs. (45 kg) tongue weight with heavy-duty tow hitch
<b>OPTIONAL ACCESSORIES</b>	Canopy, Windshield, Electric Bed Lift, Brush Guard, ROPS, Brake/Tail/Signal Light Kit, Receiver Hitch, BOSS® PLOW
<b>WARRANTY</b>	Two-year or 1500 hour limited warranty. Lithium-Ion battery 5 years. Refer to the Operator's Manual for further details

## Power to Get The Job Done.

Toro's proprietary HyperCell™ battery system was specifically developed to meet customer demand and is optimized to deliver exceptional continuous runtime, allowing it to run as long as your crew. At the end of a long workday, the on-board charger conveniently plugs into a standard wall outlet and fully charges the vehicle overnight.



\*Specifications and design subject to change without notice. Products depicted in this literature are for demonstration purposes only. Actual products offered for sale may vary in use, design, required attachments and safety features. See distributor for details on all warranties.





# Workman® HD Series

The Workman® HD Series is designed with your toughest work challenges in mind, from the front bumper to the rear bumper and everything in between. Design components like an I-beam-shaped DeDion rear axle, a truss-like front space frame, integrated wheel bearings and 4-wheel hydraulic disc brakes provide the highest total towing capacity in the industry and make the Workman ready for the toughest challenges.





# Workman® HD Series Specifications

	WORKMAN HDX, NO BED, MODEL 07383* WORKMAN HDX, W/BED, MODEL 07384* WORKMAN HDX - 4WD, MODEL 07386* WORKMAN HDX - 4WD, MODEL 07386TC*	WORKMAN HDX - D MODEL 07385* WORKMAN HDX - D MODEL 07385TC* WORKMAN HDX - D - 4WD, MODEL 07387* WORKMAN HDX - D - 4WD, MODEL 07387TC*	WORKMAN HD, MODEL 07369*
<b>ENGINE</b>	Kubota® 972 EFI, 32.5 hp (24.2 kW), 4-cycle, liquid-cooled, 962 cc, 3-cylinder overhauled camshaft, counterbalanced gasoline engine. Governed maximum of 32.5 hp at 3600 rpm. Rear engine location direct coupled to a transaxle. 12-volt electric starter. Fuel injected is a closed loop system with oxygen sensor to adjust air/fuel ratio and manifold pressure sensor to adjust for altitude. Full pressure lubrication with spin-on oil filter.	Kubota 902D, 3-cylinder, inline vertical, 4-cycle, liquid cooled, counterbalanced diesel engine. 23.3 hp (17.4 kw); governed to a maximum speed of 3600 rpm. 58.0 cu. in. (950 cc) displacement. Rear engine location. Direct couple to transaxle. 12-volt electric starter. Full pressure lubrication with spin-on oil filter. Meets EPA Tier IV compliance. Biodiesel ready for use up to B-20 (20% biodiesel and 80% petrol blend).	Kohler Model CH23, 2-cylinder, 4-cycle, air-cooled engine. 23 hp (17.2 kW) at 3600 rpm governed to a maximum speed of 3600 rpm by an internal governor. 4.1 cu. in. (674 cc) displacement. Electronic ignition. Rear engine location direct coupled to a transaxle. 12-volt electric starter. Full pressure lubrication with spin-on oil filter. Meets all EPA & CARB emission standards.
<b>CLUTCH</b>	7.5" (19 cm) clutch and pressure plate		
<b>INSTRUMENTATION</b>	Fuel and coolant temperature gauges. Hour meter. Oil pressure, check engine and battery charge indicator lights. Tachometer and speedometer.	Fuel and coolant temperature gauges. Hour meter. Oil pressure, glow plug and battery charge indicator lights. Tachometer and speedometer.	Fuel gauge, hour meter, oil pressure warning light and battery charge indicator light. Tachometer / speedometer optional.
<b>ALTERNATOR</b>	60 amp with electronic regulator		25 amp with electronic regulator
<b>TIRES</b>	Front: 20" x 9" - 12, 6-ply rating, turf tread Rear: 24" x 12" - 12, 6-ply rating, turf tread		
<b>COOLING SYSTEM</b>	Aluminum radiator with 10 fins per inch dual pass. Right side mounted with removable screen for debris cleaning. Thermal controlled DC electric fan.		Fan forced air.
<b>AIR CLEANER</b>	Remote mounted, heavy-duty 2-stage air cleaner with evacuator valve.		Large capacity, dual element.
<b>CLEARANCE CIRCLE 2WD</b>	Inside = 32 in (81 cm); Outside = 194 in (493 cm)		
<b>CLEARANCE CIRCLE 4WD</b>	Inside = 100 in (254 cm); Outside = 300 in (762 cm)		N/A
<b>FUEL CAPACITY</b>	6 gallons (22.7 liters)		
<b>FUEL PUMP</b>	12V internally regulated 42 psi in-tank	Electronic pump	Diaphragm pump
<b>FUEL FILTER</b>	In tank filter sock. 10 micron polyester depth.	Combination fuel filter / water separator with a 30 micron filtration and 50 mesh suction screen in tank.	In-line 40 micron filter and 50 mesh suction screen in tank.
<b>HORN</b>	Standard, button on dash.		
<b>SOUND LEVEL</b>	75 db(A)**	85 db(A)**	80 db(A)**
<b>VEHICLE SHIPPING WEIGHT</b>	Model 07383: 1623 lbs. (738 kg) Model 07384: 1951 lbs. (887 kg) Model 07386: 2010 lbs. (914 kg) Model 07386TC: 2784 lbs. (1265 kg)	Model 07385: 1956 lbs (889 kg) Model 07385TC: 2730 lbs (1240 kg) Model 07387: 2015 lbs (916 kg) Model 07387TC: 2789 lbs (1268 kg)	Model 07369: 1848 lbs. (840 kg)
<b>VEHICLE ACTUAL WEIGHT W/O FUEL</b>	Model 07383: 1623 lbs. (738 kg) Model 07384: 1951 lbs. (887 kg) Model 07386: 2010 lbs. (914 kg) Model 07386TC: 2091 lbs. (950 kg)	Model 07385: 1956 lbs (889 kg) Model 07385TC: 2037 lbs (926 kg) Model 07387: 2015 lbs (916 kg) Model 07387TC: 2096 lbs (953 kg)	Model 07369: 1848 lbs. (840 kg)
<b>TOTAL CAPACITY</b>	Model 07384: 3249 lbs. (1477 kg) Model 07386: 3190 lbs. (1450 kg) Model 07386TC: 3109 lbs. (1413 kg)	Model 07385: 3244 lbs. (1475 kg) Model 07385TC: 3163 lbs. (1438 kg) Model 07387: 3185 lbs. (1448 kg) Model 07387TC: 3104 lbs. (1411 kg)	Model 07369: 3352 lbs. (1524 kg)
<b>CARGO BED CAPACITY W/200 LB. OPERATOR AND 200 LB. PASSENGER</b>	Model 07384: 2849 lbs. (1295 kg) Model 07386: 2790 lbs. (1268 kg) Model 07386TC: 2709 lbs. (1231 kg)	Model 07385: 2844 lbs.(1293 kg) Model 07385TC: 2763 lbs. (1256 kg) Model 07387: 2785 lbs. (1266 kg) Model 07387TC: 2704 lbs. (1229 kg)	Model 07369: 2952 lbs. (1342 kg)

\*Specifications and design subject to change without notice. Products depicted in this literature are for demonstration purposes only. Actual products offered for sale may vary in use, design, required attachments and safety features. See distributor for details on all warranties.

\*\*At operator's ear; 3600 rpm with bed and sides installed.





# Workman® HD Series Specifications (continued)

SPECIFICATIONS COMMON TO WORKMAN HD SERIES VEHICLES*	
<b>FRONT SUSPENSION</b>	Independent system with dual "A" frame control arms, dual coil springs and dual shock absorbers with anti-sway bar. Provides 5 3/4" travel.
<b>REAR SUSPENSION</b>	DeDion rear axle (weight carrying axle) suspension independent of transaxle with dual leaf springs and dual shock absorbers. Provides 3" travel.
<b>BATTERY</b>	12-volt, group 26, with 540 cold cranking amps at 0 degrees F (-18 degrees C).
<b>TRANSMISSION</b>	Rear transaxle directly connected to engine, twin axle drive. 3-speed synchromesh (forward speeds only), h-shift pattern with high-low range providing 6 forward speeds and 2 in reverse. Transmission housing doubles as hydraulic reservoir with outlet screen and external filter.
<b>3RD GEAR HIGH LOCKOUT</b>	Interlock key switch that prevents engine from running in 3rd gear, high range HDX-D. Limits engine RPM to 2,200 in 3rd gear high range (HDX gas).
<b>DIFFERENTIAL LOCK</b>	Manual engage rear differential lock.
<b>4WD SYSTEM</b>	Fully automatic on-demand, bi-directional system. Uses dual bi-directional clutches. In event of rear tire slippage, clutches transmit power proportionally to front wheel with highest traction.
<b>FRAME</b>	Steel space frame front frame and C-channel rear frame.
<b>STEERING</b>	Hydraulic power steering with steering valve coupled to hydraulic cylinder with thru shaft. Maximum steering angle is 70 degrees on 2WD and 50 degrees on 4WD.
<b>2-POST ROPS</b>	2-post rollover protective structure and protective back panel bolted to ROPS.
<b>BRAKES</b>	4-wheel hydraulic disk brake system. 9 1/2" disk with hydraulic service brakes using twin piston floating calipers. Parking brake uses mechanical cable actuated caliper on rear wheels.
<b>HYDRAULICS</b>	4 gpm (15 lpm) gear pump provides hydraulic flow for power steering and lift in series. Lift control valve with quick disconnects for dual lift cylinders or for attachments when quick disconnects are switched. 8 quart total capacity.
<b>LIGHTS</b>	Twin halogen headlights and dual taillights actuated by switch on dash. Dual brake lights actuated by brake pedal.
<b>SEAT BELTS / SEATS</b>	Lap seat belts standard. Bucket seats with adjustable slides to allow for various seat positions. Hip restraint tubes welded to seat mounting straps.
<b>CONTROLS</b>	Throttle, brake and clutch pedals. Gear shifter, differential lock, parking brake, high-low range shifter and hydraulic lift levers.
<b>INTERLOCK</b>	To start engine, clutch pedal must be depressed and remote hydraulic lever must be in neutral position. If installed, high flow hydraulics and rear PTO must be disengaged / switched off.
<b>SAFETY SUPPORT</b>	7-gauge steel channel stores behind seat and fits over extended lift cylinder to prevent accidental lowering of bed.
<b>GROUND CLEARANCE</b>	7" (18 cm) with no load.
<b>REAR TOW HITCH</b>	Steel hitch bracket bolted to rear DeDion axle. Mounting plate provides mounting hole for pin or ball hitch and incorporates two safety chain mounting holes. Maximum tongue weight of 600 lbs (272 kg). Maximum trailer weight of 3500 lbs (1587 kg). Trailers over 1500 lbs. require trailer brakes. (Electric Brake Kit available through parts, 117-4837).
<b>GROUND SPEED</b>	<b>Standard Tires, Gear 1/2/3</b>
	Forward Speeds:      High Range      7.6/11.5/19.8 mph (12.2/18.5/31.9 km/h)
	Low Range      2.9/4.5/7.7 mph (4.7/7.2/12.5 km/h)
	Reverse Speeds:      High Range      7.1 mph (11.6 km/h)
Low Range      2.8 mph (4.5 km/h)	
<b>DIMENSIONS</b>	<b>Overall Length</b> <b>Overall Width</b> <b>Overall Height (Top of ROPS)</b> <b>Cab</b>
	127.6" (324 cm) w/o bed              64.7" (164.3 cm)                      75.8" (192.5 cm)                      Height: 81" (206 cm)
	130" (330 cm) w/full bed                                                                                     Width: 65" (165 cm)
<b>CERTIFICATIONS</b>	Certified to meet SAE J2258. Certified to meet ISO/DIS 21299 for ROPS. Engine meets all applicable emission standards per the manufacturer. Certified to meet the CE Machinery Directive.
<b>WARRANTY</b>	Two-year limited warranty. See Operator's Manual for further details.

\*Specifications and design subject to change without notice. Products depicted in this literature are for demonstration purposes only. Actual products offered for sale may vary in use, design, required attachments and safety features. See distributor for details on all warranties.





WORKMAN VEHICLE ACCESSORIES*	
<b>HIGH FLOW HYDRAULICS KIT</b>	Provides 8 gpm (30.3 liter) at 2000 psi hydraulic flow in a separate circuit to power certain attachments and accessories (standard on TC models). <b>Note: Model 07369 cannot run High Flow Hydraulics Kit.</b>
<b>200 GALLON SPRAYER</b>	200 gallon (757 liter) low profile tank sprayer with diaphragm pump and detachable control box. Three-section, 18.5 ft (5.6 m) open boom system.
<b>TOPDRESSER 1800</b>	18 cu. ft. (.504 cu. m), 1450 lbs (541 kg) capacity conveyor belt style topdresser hydraulically driven by remote hydraulics. 60 in (152 cm) spread width. Workman bed lift cylinders raise topdresser. Spring load metering gate.
<b>TOPDRESSER 2500</b>	25 cu. ft. (.7 cu. m) capacity conveyor belt style topdresser towed by Workman vehicle. Textured belt, oscillating axles and all wheel drive. Electrically activated hydraulic brakes.
<b>PROPASS™ 200 TOPDRESSER</b>	21 cu. ft. / 0.54 cu. m struck (25 cu. ft. / 0.71 cu. m heaped) capacity spin style topdresser. Tow-behind or bed mount versions.
<b>PRO FORCE® DEBRIS BLOWER</b>	Tow-behind, self-contained engine-driven debris blower operated with a hand-held wireless RF controller. Bed mount kit available.
<b>HARD CAB</b>	Deluxe hard cab, ROPS and CE certified. Vented front glass windshield, interior dome light and a 2-speed windshield wiper. Optional heater and mirrors available.
<b>CAB SLIDING WINDOW DOOR KIT</b>	Door kit for deluxe hard cab. Operator door has a sliding window for ventilation and ability to access exterior elements such as an identification badge security entry. Passenger door has solid window.
<b>CAB REAR VIEW MIRROR KIT</b>	Externally mounted to the cab frame, operator and passenger side rear view mirrors for enhancing all around visibility.
<b>CANOPY</b>	Durable, high-density polyethylene canopy with drainage outlets for moisture runoff.
<b>FOLDING WINDSHIELD</b>	Clear high-impact modified acrylic material with fold down capability.
<b>BRAKE &amp; SIGNAL KIT</b>	Consists of turn signal lights for both corners in the front and rear of vehicle and brighter beam headlights.
<b>WORK LIGHT KIT</b>	Consists of (2) front facing and (1) rear facing work lights all mounted on top of ROPS bar.
<b>ROPS SIGNAL LIGHT KIT</b>	Consists of (2) double amber warning lights and (2) single red tail lights all for mounting on top of ROPS bar. Requires either a "Right Side" or "Left Side" light kit.
<b>REAR PTO KIT</b>	Rear mounted, 540 RPM, PTO shaft mechanically driven by transaxle.
<b>HAND THROTTLE</b>	Throttle and speed limit control that provides constant RPM for stationary attachments or a controlled maximum speed for applications such as spraying or spreading (mechanical – HDX/HD & electric – HDX gas models).
<b>SPARK ARRESTOR</b>	Fits onto end of tailpipe.
<b>PLASTIC BED LINER</b>	A rugged, weatherproof one-piece plastic liner and separate tailgate liner that will protect either a full are bed with sides or a 2/3 bed with sides.
<b>HIGH AIR INTAKE KIT</b>	Kit for extending the air intake system from underneath the cargo bed to a position slightly above the ROPS shield behind the passenger position of the vehicle. Recommended for dusty work applications.
<b>REAR VIEW MIRROR KIT</b>	A single 8 1/2" (21.6 cm) convex mirror with mounting capability on either the operator or passenger side of the vehicle.
<b>2" RECEIVER HITCH KIT</b>	Provides a 2" square receiver to enable a "drawbar" hitch.
<b>TRAILER BRAKE WIRING KIT</b>	Kit provides a controller which plugs into Workman vehicle and a positive wire to assist the hook up of customer supplied electric trailer brakes.
<b>TRAILER SIGNAL WIRING KIT</b>	Kit provides electrical wire for Workman vehicle to enable easy hook up to customer supplied trailer signal and brake lights.
<b>REMOTE HYDRAULIC MANIFOLD KIT</b>	Hydraulic manifold kit that provides to ability to switch hydraulics between cargo bed actuation and remote port usage via use of a operator panel mounted switch.
<b>REMOTE HYDRAULIC FLOAT KIT</b>	Hydraulic float kit that enables both hydraulic lifting and "float" in the down position. Required when using a Deere TC125 sweeper.
<b>4WD MANUAL CONTROL</b>	Allows auto 4WD to be turned off.
<b>4 POST ROPS CANOPY KIT</b>	Canopy for use with 4-post ROPS kit.
<b>4 POST ROPS KIT</b>	Connects standard 2-post ROPS to 4-post ROPS. Required with 200-gallon sprayer.
<b>HEATER KIT</b>	Heater for use with cab. Adjustable temperature and 2-speed fan (excludes HD).
<b>BACK UP ALARM KIT</b>	Provides an audible alarm when vehicle is in reverse.
<b>BOSS® SNOW ACCESSORIES</b>	5' (1.52 m) BOSS Plow, VBX3000 Box Spreader.

\*Specifications and design subject to change without notice. Products depicted in this literature are for demonstration purposes only. Actual Products offered for sale may vary in use, design, requirements and safety features. Consult your local Toro Distributor. "Cushman" is a registered trademark of Ransomes.





# Multi Pro® WM – 200-Gallon Sprayer Specifications\*

SPRAYER SPECIFICATIONS	
<b>SOLUTION TANK</b>	High-density, impact-resistant polyethylene with large 16" (41 cm) fill opening, tapered bottom and sump with drain.
<b>RATED CAPACITY</b>	200 gallons (757 liters).
<b>SPRAY PUMP</b>	Hardi 364/10.0, 6-diaphragm positive displacement pump w/1" (2.5 cm) input shaft; input speed 0-540 rpm; Flow rate 45 gpm (170.3 lpm) @ 40 psi (540 rpm).
<b>AGITATOR</b>	4, side-mounted jet agitation nozzles for full tank agitation.
<b>CONTROLS</b>	Spray pump control switch, agitator jet switch, rate switch, individual boom On/Off switches, boom actuator switches, indicator lights on pump, agitation and boom switches, throttle lock.

OPEN BOOMS (STANDARD)	
<b>BOOM ASSEMBLY</b>	18.5' (5.6 m) three section, triangular truss style open booms. Optional 20.5' (6.25 m) booms available.
<b>BOOM ACTUATORS</b>	Heavy Duty hydraulic lift actuators with nitro-steel plated shafts; 1-3/4" Bore x 10.06" Stroke.
<b>SPRAY NOZZLES</b>	Eleven nozzle turrets, triple turret-mount, quick-disconnect with diaphragm check valves. Twelve nozzle turrets with optional kit.



MULTI PRO WM ACCESSORIES	
<b>NOZZALERT™</b>	Monitors flow at each individual nozzle position, alerting the operator to flow deviations caused by worn, broken, clogged, or missing nozzles.
<b>PRO FOAM™ MARKING KIT</b>	Foam dollops ensure accurate parallel path tracking. Select foam for either boom or both.
<b>PRO FOAM</b>	1 gallon (3.8 L) bottle of Pro Foam Concentrate.
<b>CLEANLOAD™ EDUCATOR KIT</b>	This on-board mixing station allows rapid and safe loading of any chemical without the need to first mix into a slurry Incorporates a built-in bottle wash nozzle and has an optional suction lance to pull in powdered or liquid products from their container. Stores within the width of the machine.
<b>FRESH WATER RINSE KIT</b>	Simplifies and automates the triple-rinse process, saving hours and hours of clean up time.
<b>ELECTRIC HOSE REEL KIT</b>	150' (45.7 m) of hose for hand or walk spraying applications. Convenient electric powered rewind. Spray gun has an adjustable nozzle from stream to fan.
<b>PRO FOAM™ MARKING KIT</b>	Foam dollops ensure accurate parallel path tracking. Select foam independently or both simultaneously.
<b>ULTRA SONIC BOOM™ KIT</b>	New sonar sensors automatically maintain proper spray height over undulating turf.
<b>COVERED BOOM KIT</b>	Extends 12" (30.5 cm) below the boom to minimize chemical drift in breezy conditions while retaining full boom system functionality.
<b>AIR INDUCTION TURBO TWIN JET NOZZLES</b>	Exclusive to Toro in the 0.8 gpm (3.02 lpm), 1.0 gpm (3.79 lpm) and 1.5 gpm (5.68 lpm) sizes, for exceptional contact coverage.
<b>CONTACT &amp; SYSTEMIC NOZZLES</b>	Select the right nozzle for your application by using the new <b>Multi Pro Nozzle Selection Brochure</b> - available via <a href="http://Toro.com">Toro.com</a>

**WARNING**  
 THE WORKMAN™ IS AN OFF-HIGHWAY VEHICLE, AND IS NOT DESIGNED, EQUIPPED, OR MANUFACTURED FOR USE ON PUBLIC STREETS, ROADS OR HIGHWAYS.

\*Specifications and design subject to change without notice. Products depicted in this literature are for demonstration purposes only. Actual Products offered for sale may vary in use, design, requirements and safety features. Consult your local Toro Distributor. "Cushman" is a registered trademark of Ransomes.





## Outcross® 9060

The Outcross 9060 is an invaluable tool in the long-standing battle Turf Managers face to “do more with less.” This machine is a time-saving, easy-to-use, multi-purpose, turf-friendly workhorse that brings year-round flexibility, consistency and productivity to turf maintenance operations. Get ready to do more. The Outcross is the first machine of its kind to be purposebuilt for the management of fine turf. Its balanced design, four-wheel steer, and four-wheel drive make it extremely gentle on turf. Keep busy year-round by utilizing Outcross’s 3-point hitch, drawbar, or front loader. Mow grass, spread fertilizer, load sand, haul a pallet of sod, aerate, topdress, remove snow and ice, blow leaves, prune roots, spread seed, tow a trailer, sweep a path, chip wood, and much, much more. Intuitive automotive-style controls and one-time parameter setup keeps operations simple and efficient.



# Outcross® 9060 Specifications

	OUTCROSS 9060 W/ CANOPY*	OUTCROSS 9060 W/ CAB*	OUTCROSS 9060 W/ LOADER ARMS*	OUTCROSS 9060 W/ LOADER ARMS & CAB*
<b>ENGINE</b>	Yanmar® 4-cylinder, direct injection, turbo-charged, liquid-cooled diesel. Power: 59 hp (44 kW) gross, @ 3000 rpm. Displacement: 127.6 cu. in. (2.1 L) EPA Tier IV Final Compliant.			
<b>CAPACITIES</b>	<b>Fuel:</b> 14 gallons (53 L) <b>Engine oil with filter:</b> 6.1 quarts (5.8 L)			
<b>ELECTRICAL SYSTEM</b>	12-volt system. Battery: 690 CCA. Alternator: 80 amp.			
<b>TRACTION DRIVE</b>	2-speed hydrostatic			
<b>PTO</b>	Rear independent mechanical up to 540 rpm. Power: 51 hp (38 kW)			
<b>INSTRUMENTATION</b>	<b>InfoCenter™.</b> Onboard LCD displays for attachment parameter setup and to show gauges, alerts/faults, service reminders, electrical system diagnostics. Indicates fuel level, coolant temp, intake temperature, low oil pressure, alternator, engine hours, engine rpm, hydraulic oil temperature, voltage.			
<b>GROUND SPEED/ CLEARANCE</b>	<b>Forward:</b> 14 mph (22.5 km/h) <b>Reverse:</b> 13 mph (20.9 km/h) <b>Ground Clearance:</b> 7" (18 cm)			
<b>HYDRAULICS</b>	Open center			
<b>AUX / REMOTE</b>	12 gpm @ 3000 psi. Standard: 1 hydraulic remote. Optional: second hydraulic remote.			
<b>LENGTH</b>	Front Bumper to 3-point Linkage: 161" (409 cm)		Mounting Plate to Counter Weight End: 202.5" (514 cm)	
<b>WIDTH</b>	<b>With Bed – 77" (195 cm)</b>			
<b>HEIGHT</b>	95" (241 cm)	98" (249 cm)	95" (241 cm)	98" (249 cm)
<b>WEIGHT</b>	5,160 lbs. (2,340 kg)	5,820 lbs (2,640 kg)	5,910 lbs (2,680 kg)**	6,570 lbs (2,980 kg)**
<b>INSIDE TURNING RADIUS</b>	57" (145 cm)			
<b>OUTSIDE TURNING RADIUS</b>	150" (381 cm)			
<b>WHEELBASE</b>	83" (211 cm)			
<b>TIRES</b>	<b>Front:</b> 29.5 x 12.5 (12-ply) <b>Rear:</b> 32 x 16 (12-ply)			
<b>TRACK WIDTH</b>	57.5" (146 cm)			
<b>3-POINT HITCH</b>	Category 2 lift capacity 24" (61 cm) behind lift point: 2,500 lbs. (1,134 kg)			
<b>WARRANTY / CERTIFICATION</b>	Two-year limited warranty. Refer to operators manual for further details. Certified to SAE J2194			
<b>BED DIMENSIONS – (SEE DIAGRAM PAGE 3)*</b>				
	Standard Bed		Cargo Bed	
<b>CAPACITY</b>	1,000 lbs. (453.6 kg)		4,500 lbs. (2,041 kg)	
<b>LENGTH</b>	27" (68.6 cm)		52" (132 cm)	
<b>WIDTH, HEIGHT &amp; LOAD HEIGHT (INSIDE)</b>	<b>Width:</b> 73" (185 cm)		<b>Height:</b> 16" (40.6 cm) <b>Load Height:</b> 35" (88.9 cm)	
<b>VOLUME</b>	0.77 cubic yards (0.59 cubic meters)		1.3 cubic yards (0.99 cubic meters)	
<b>FRONT LOADER*</b>				
<b>LIFT CAPACITY &amp; LIFT HEIGHT (PIVOT PIN)</b>	<b>Lift capacity:</b> 2,200 lbs. (998 kg)		<b>Lift height:</b> 107" (272 cm)	
<b>REACH AT MAX LIFT HEIGHT</b>	33" (84 cm)			
<b>MAXIMUM DUMP ANGLE</b>	70.5 degrees			
<b>REACH OF ATTACHMENT ON GROUND</b>	98.6" (250 cm)			
<b>MAXIMUM ROLLBACK ANGLE</b>	34.8 degrees			
<b>DIGGING DEPTH</b>	7.5" (19 cm) – when bucket is level			
<b>OVERALL HEIGHT</b>	53.5" (136 cm) – in carry position			
<b>SQUARE BUCKET WIDTH / STRUCK CAPACITY</b>	73" (185 cm) / 0.45 cubic yards (0.34 cubic meters)			

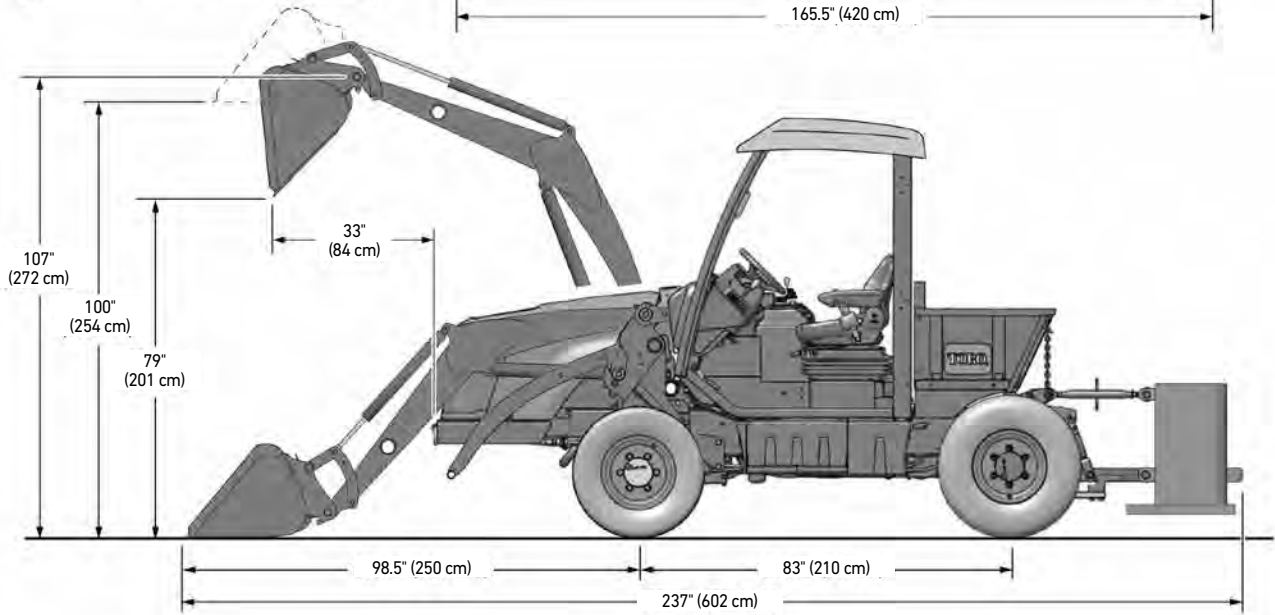
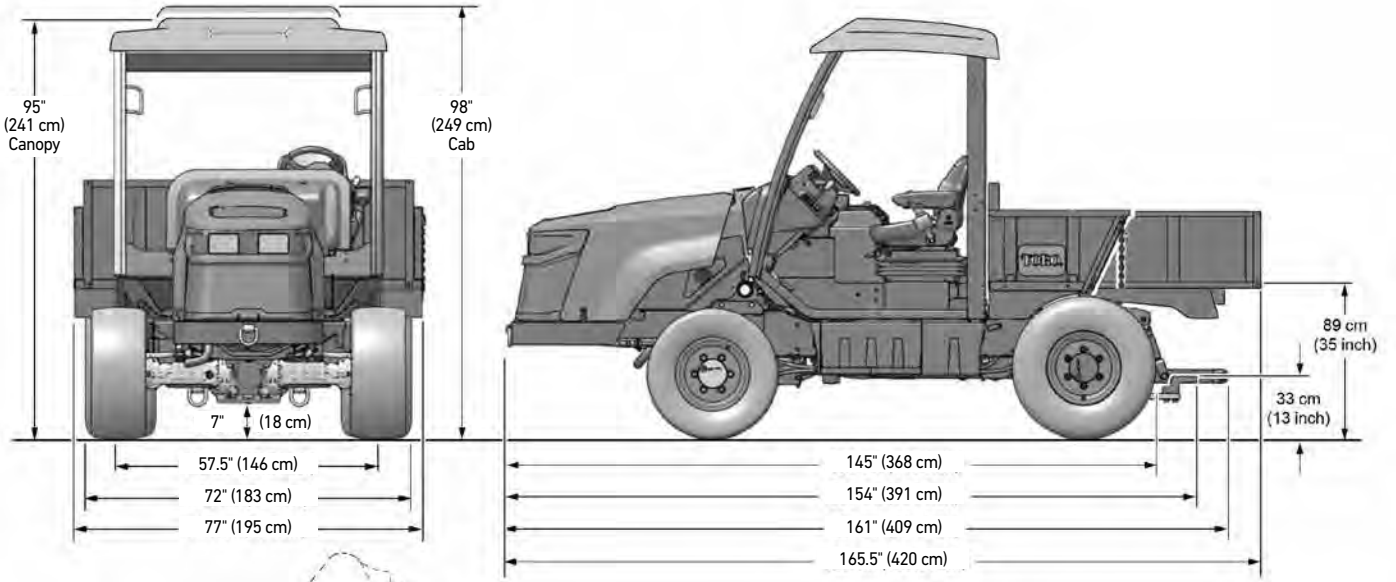
\*Specifications and design subject to change without notice. Products depicted in this literature are for demonstration purposes only. Actual products offered for sale may vary in design, required attachments and safety features. Consult your local Toro Distributor. Refer to Operator's Manual for further information and instructions.

\*\*Without loader attachment and recommended 1,800 lbs. (816.5 kg) rear counter weight

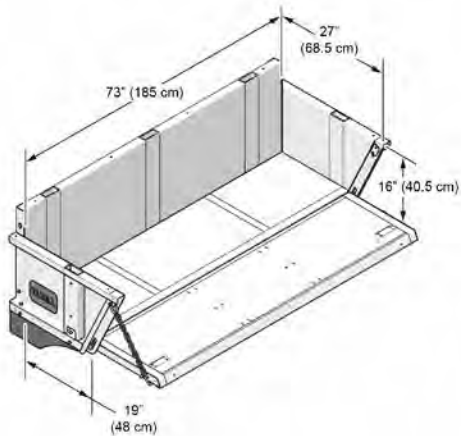




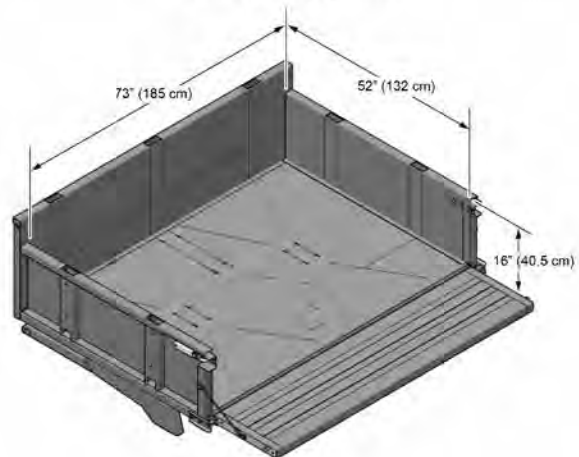
# Outcross® 9060 Dimensions\*



STANDARD BED



CARGO BED (Optional)



\*Specifications and design subject to change without notice. Products depicted in this literature are for demonstration purposes only. Actual products offered for sale may vary in design, required attachments and safety features. Consult your local Toro Distributor. Refer to Operator's Manual for further information and instructions.







## ProCore® 648s

The ProCore 648s builds on the tremendous legacy of the ProCore 648 by incorporating proven technology and even more innovative features while preserving the time tested design elements that changed the way you aerate. Revised controls improve ergonomics and allow single handed operation. Hole spacing and true tine depth are now set and saved in the InfoCenter.™ The onboard controller is continuously monitoring key operating parameters to improve after aeration turf condition and allow the operator to easily target coring head drop and raise. A tighter turning radius with reduced wheel scrubbing and the ability to easily increase speed during turns increases productivity. Proven reliability, improved performance and exciting innovation - that's what makes the ProCore 648s the new superior choice.





# ProCore® 648s Specifications\*

	PROCORE 648S, MODEL 09960	PROCORE 648S, MODEL 09960C (CARB – CALIFORNIA ONLY)	
<b>ENGINE</b>	Kohler®, 2-cylinder, air-cooled, 23 hp (17.1 kW) gross, 19 hp (14.2 kW) net @ 3000 rpm, 41 cu-in. (674 cc) displacement. Dry, large capacity, replaceable element air filter. External spin-on oil filter, 2-quart (1.9-liter).	Kohler®, 2-cylinder, air-cooled, 26.5 hp (19.7 kW) gross, 21.7 hp (16.2 kW) net @ 3000 rpm, 41 cu-in. (674 cc) displacement. Dry, large capacity, replaceable element air filter. External spin-on oil filter, 2-quart (1.9-liter).	
<b>FUEL CAPACITY</b>	7.5 gallons (28.4 liter), gasoline.		
<b>ELECTRICAL</b>	12-volt, 15 amp regulated charging alternator/generator. BCI Group No.: U1 battery, 300 cold cranking amps @ 0°F. Micro-processor logic control.		
<b>DRIVETRAIN</b>	Series-Parallel, closed loop, hydrostatic drive. 3WD, except it automatically switches to 2WD while in aeration mode and traveling in forward direction with coring head raised allowing a tighter turning radius. Electronically controlled variable displacement piston type pump. High-torque, low-speed wheel motor drive.		
<b>HYDRAULIC SYSTEM</b>	Remote spin-on filter. 3.0- gallon (13.2 liter) capacity, Toro PX Extended Life hydraulic fluid.		
<b>CONSTRUCTION</b>	Welded steel frame with cast crank and arm assembly.		
<b>TIRES</b>	20 x 10-10, 2-ply rated, smooth tread, tubeless, inflated to 12 psi, de-mountable rims.		
<b>BRAKES</b>	Dynamic braking through hydrostatic transmission. Parking brake actuated when steering handle is raised into storage position.		
<b>GROUND SPEED</b>	<b>Transport Mode:</b> Forward: 0-4.5 mph (0-7.2 km/h), variable Reverse: 0-2.0 mph (0-3.2 km/h), variable	<b>Aeration Mode:</b> Forward: 0-2.5 mph (0-4.0 km/h), variable Reverse: 0-2.0 mph (0-3.2 km/h), variable	<b>Aeration Forward Spacing:</b> <b>1-4.5" (2.5-11.3 cm) in 0.25" (5mm) increments</b> 1" (2.5 cm) spacing: 0.51 mph (0.8 km/h) 2" (5.0 cm) spacing: 1.03 mph (1.65 km/h) 3" (7.5 cm) spacing: 1.54 mph (2.46 km/h) 4" (10.0 cm) spacing: 2.06 mph (3.30 km/h)
<b>INSTRUMENTATION</b>	InfoCenter™, tachometer.		
<b>CONTROLS</b>	Redundant operator presence bails, aeration start/stop bails and traction speed thumb wheels on handle. Tine length calibration, tine depth and forward hole spacing set and saved in InfoCenter. Bump stop, delayed or immediate drop switch, cruise control on/set/off switch, aerate or transport switch and optional LED light kit switch located on operator console. Ignition, tachometer on side console. Throttle and choke (09960 only) on engine.		
<b>INTERLOCKS</b>	Operator presence, clutch latch, traction neutral, coring head raise/lower.		
<b>LENGTH</b>	<b>Handle Down:</b> 116.3" (293.1 cm) <b>Handle Raised:</b> 91.8" (231.3 cm)	<b>Handle Down:</b> 117.3" (298 cm) <b>Handle Raised:</b> 92.8" (235.7 cm)	
<b>WIDTH</b>	50.12" (127.3 cm)		
<b>HEIGHT</b>	<b>Head Raised:</b> 45" (114.3 cm) <b>Head Lowered:</b> 36.5" (92.7 cm)	<b>Handle Raised:</b> 60.7" (153.0 cm) <b>Handle Lowered:</b> 47.5" (119.7 cm)	
<b>WHEELBASE</b>	44.5" (113 cm)	45.5" (116 cm)	
<b>TRACK WIDTH</b>	38.3" (97.3 cm)		
<b>WEIGHT</b>	1,642 lbs (744.7 kg)	1,644 lbs (745.7 kg)	
<b>GROUND CLEARANCE</b>	4.75" (12.1 cm)		
<b>CERTIFICATION</b>	ANSI B71.4-2017. CE & EU machinery directives.	ANSI B71.4-2017. CE & EU machinery directives. Meets all EPA & CARB emission standards.	
<b>WARRANTY</b>	Two-year or 500 hour limited warranty. Refer to the Operator's Manual for further details.		

TINE HEADS			
Model	Description	Lateral Spacing	Mount Diameter
09739	Needle Tine	1.6" (2.8 cm)	N/A
09736	Mini-Tine (2 rows of 5)	1.6" (2.8 cm)	3/8"
09737	Mini-Tine (1 row of 6)	1.3" (3.3 cm)	3/8"
09794	3 Tine 3/4"	2.6" (6.8 cm)	3/4"
09796	4 Tine 3/4"	2" (5.1 cm)	3/4"
09797	3 Tine 7/8"	2.6" (6.8 cm)	7/8"
09719	QuickChange® 4-Tine	2" (5.1 cm)	3/4" or 7/8"

ACCESSORIES			
Model	Description	Part Number	Description
09962	LED Light Kit, ProCore 648s	114-0590-01	QuickChange® Tool
09220	Windrower Kit	115-4754	Wireless Hour Meter
09225	Tire Scrapers		
09234	Rear Roller Kit		

TINES
Over 100 Titan Tines in multiple varieties available from Toro. See the Toro Titan Tines Catalog or visit <a href="http://toro.com/titantines">toro.com/titantines</a>

\*Specifications and design subject to change without notice. Products depicted in this literature are for demonstration purposes only. Actual products offered for sale may vary in use, design, required attachments and safety features. See distributor for details on all warranties.

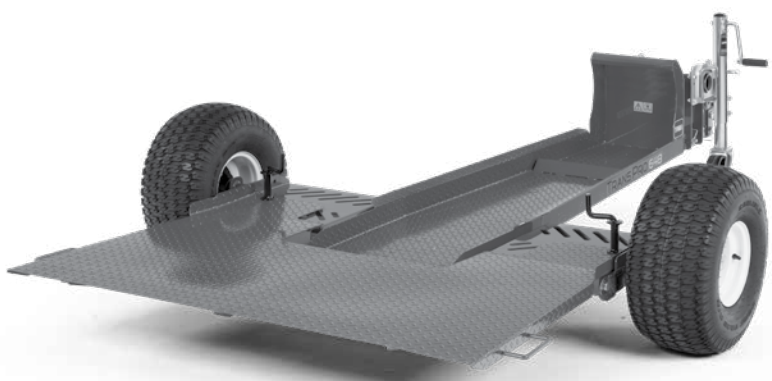


**NEW**



# TransPro® 648

Easily transports ProCore 648s and ProCore 648 to and from the work area.



TRANSPRO 648, MODEL 09964*	
<b>LOAD CAPACITY</b>	1,850 lbs. (839 kg)
<b>SUSPENSION</b>	Large low pressure tires (20 x 10-8)
<b>TRANSPORT SPEED</b>	Maximum of 15 mph (24 km/h)
<b>RAMP</b>	Textured ramp design. Automatically raises during loading
<b>HITCH</b>	Pin type hitch is standard; tongue is 2.5" (6.4 cm) square and adjustable in height and length
<b>TOWING</b>	Tow Vehicle Requirement: 2,250 lbs. (1020.6 kg)
<b>TIE DOWN METHOD</b>	Over-Center style quick latch
<b>AXLE</b>	Heavy-duty stub axle. Greaseable
<b>DIMENSIONS</b>	Height: 21" (53.3 cm) Width: 73.8" (187.5 cm) Length (Extended): 150" (380.6 cm), Retracted: 123.6" (313.9 cm)
<b>TRAILER WEIGHT</b>	382 lbs. (173 kg)

TRANSPRO 648 ACCESSORIES	
161-3721	ProCore 648 Latch Adapter Plate (Recommended for those using both ProCore 648 and 648s)

\*Specifications and design subject to change without notice. Products depicted in this literature are for demonstration purposes only. Actual products offered for sale may vary in use, design, required attachments and safety features. Consult your local Toro Distributor.





# ProCore® 864 & 1298

The same ground-breaking technology that allowed the ProCore 648 to revolutionize greens aeration is available for large-scale applications in the ProCore 864 and 1298. Aerate fairways and sports fields in efficient 64" (163 cm) and 98" (249 cm) swaths with the smooth operation and precision performance you demand. You've never used a tractor-mounted aerator quite like it.



# ProCore® 864 & 1298 Specifications

	PROCORE 864, MODEL 09715*	PROCORE 1298, MODEL 09716*
<b>AERATION WIDTH</b>	64 inches / 163 cm	98 inches / 249 cm
<b>AERATION DEPTH</b>	5 inches / 12.7 cm maximum**	5 inches / 12.7 cm maximum**
<b>TRACTOR SIZE</b>	30 HP @ PTO minimum 35 HP @ PTO recommended	40 HP @ PTO minimum 50 HP @ PTO recommended
<b>TRACTOR CONNECTION</b>	3-point Category 1 or 2	3-point Category 2
<b>TRACTOR PTO</b>	540 RPM	540 RPM
<b>FORWARD HOLE SPACING (TRACTOR DEPENDENT)</b>	Variable up to 4.5 inches / 11.4 cm	Variable up to 4.5 inches / 11.4 cm
<b>LATERAL HOLE SPACING (TINE HEAD DEPENDENT)</b>	1.3 - 2.6 inches / 3.3 - 6.6 cm	1.3 - 2.6 inches / 3.3 - 6.6 cm
<b>NUMBER OF TINE HEADS</b>	8	12
<b>OVERALL WIDTH</b>	67 inches / 170 cm	101 inches / 256.5 cm
<b>HEIGHT</b>	38.5 inches / 98 cm	38.5 inches / 98 cm
<b>LENGTH</b>	35 inches / 89 cm	35 inches / 89 cm
<b>WEIGHT</b>	1575 lbs / 714 kg	2300 lbs / 1043 kg
<b>CERTIFICATION</b>	ANSI B71.4-2017, CE and EU machinery directives	
<b>WARRANTY</b>	Two-year or 500-hour limited warranty. Refer to Operator's Manual for further details	

## TINE HEADS\*

Model	Tine Heads:	Lateral Spacing	Mount Diameter
09737	Mini Tine Head (1 row of 6)	1.3"	3/8" (10 mm)
09736	Mini Tine Head (2 rows of 5)	1.6"	3/8" (10 mm)
09739	Needle Tine Head	1.6"	5 mm or 8 mm
09794	3 Tine Head	2.6"	3/4" (19 mm)
09796	4 Tine Head	2.0"	3/4" (19 mm)
09797	3 Tine Head HD	2.6"	7/8" (22 mm)
09719	QuickChange® 4-Tine	2.0" (5.1 cm)	3/4" (19 mm) or 7/8" (22 mm)

## PRODUCTIVITY RATES\*

Tractor Speed	Spacing	ProCore 864		ProCore 1298	
		sq. ft. / hr.	(sq. m / hr.)	sq. ft. / hr.	(sq. m / hr.)
0.5 (0.8)	1.0" (25 mm)	14,400	(1,338)	22,050	(2,049)
0.8 (1.2)	1.5" (38 mm)	21,600	(2,007)	33,075	(3,073)
1.0 (1.6)	2.0" (51 mm)	28,800	(2,676)	44,100	(4,097)
1.3 (2.1)	2.5" (64 mm)	36,000	(3,345)	55,125	(5,121)
1.5 (2.5)	3.0" (76 mm)	43,200	(4,013)	66,150	(6,146)
1.8 (2.9)	3.5" (89 mm)	50,400	(4,682)	77,175	(7,170)
2.0 (3.3)	4.0" (102 mm)	57,600	(5,351)	88,200	(8,194)
2.3 (3.7)	4.5" (114 mm)	64,800	(6,020)	99,225	(9,218)

\*Specifications and design subject to change without notice. Products depicted in this literature are for demonstration purposes only.

Actual products offered for sale may vary in use, design, required attachments and safety features. See distributor for details on all warranties.

\*\*Hole depths greater than 4 inches can only be achieved with 6.5 inch length tines and with turf holders removed. Some degradation in hole quality may be observed in this configuration.







## ProCore® SR Series

With its fast, efficient performance, Toro's deep-tine aeration line relieves pressure-packed soil with unsurpassed hole quality. The deep-tine aerators vary in width from 54" to 73" (137 to 185 cm) and varies in depth capability from 1" to 16" (2.5 to 40.6 cm) allowing you to perform any aeration task.





# ProCore® SR Series Specifications

	PROCORE SR54 MODEL 09931*	PROCORE SR54-S MODEL 09932*	PROCORE SR70 MODEL 09933*	PROCORE SR70-S MODEL 09934*	PROCORE SR72 MODEL 09935*
<b>WEIGHT WITH PTO &amp; TOP LINK</b>	1,165 lbs. (528 kg)	1,250 lbs. (567 kg)	1,500 lbs. (681 kg)	1,655 lbs. (750 kg)	2,091 lbs. (945 kg)
<b>WORKING WIDTH</b>	54" (1.37 m)	54" (1.37 m)	73" (1.85 m)	73" (1.85 m)	72" (1.83 m)
<b>WORKING DEPTH (ADJUSTABLE)</b>	1" - 10" (25-250 mm)	1" - 10" (25-250 mm)	1" - 10" (25-250 mm)	1" - 10" (25-250 mm)	1" - 16" (25-406 mm)
<b>HOLE SPACING</b>	2.5" - 4" (64-102 mm)	2.5" - 4" (64-102 mm)	2.5" - 4" (64-102 mm)	2.5" - 4" (64-102 mm)	3" - 6" (75-150 mm)
<b>PRODUCTIVITY</b>	36,000 sq.ft./hr. (3,345 sq. m/hr.)	36,000 sq.ft./hr. (3,345 sq. m/hr.)	48,000 sq.ft./hr. (4,460 sq. m/hr.)	48,000 sq.ft./hr. (4,460 sq. m/hr.)	38,000 sq.ft./hr. (3,530 sq. m/hr.)
<b>RECOMMENDED TRACTOR SIZE</b>	16-18 HP	18 HP	25-35 HP	25-35 HP	45 HP
<b>RECOMMENDED LIFT CAPACITY</b>	1,200 lbs. (682 kg)	1,500 lbs. (682 kg)	1,700 lbs. (773 kg)	1,800 lbs. (817 kg)	2,800 lbs. (1,270 kg)
<b>RECOMMENDED COUNTER WEIGHT</b>	150 lbs. (70 kg)	150 lbs. (70 kg)	250 lbs. (115 kg)	250 lbs. (115 kg)	300-500 lbs. (135-225 kg)
<b>RECOMMENDED PTO SPEED</b>	400-500 rpm	400-500 rpm	400-500 rpm	400-500 rpm	400-500 rpm
<b>ACTUAL WORKING SPEED @ 400 PTO RPM (VARIES WITH HOLE SPACING)</b>	1.5 -2.5 mph (2.41 - 4.02 kph)	1.5 -2.5 mph (2.41 - 4.02 kph)	1.5 -2.5 mph (2.41 - 4.02 kph)	1.5 -2.5 mph (2.41 - 4.02 kph)	0.8 -1.5 mph (1.29 - 2.41 kph)
<b>LIFT SYSTEM</b>	Std. 3-point	Std. 3-point	Std. 3-point	Std. 3-point	Std. 3-point
<b>CERTIFICATION</b>	ISO 4254-5:2008. CE and EU machinery directives				
<b>WARRANTY</b>	Two-year or 500-hour limited warranty. Refer to Operator's Manual for further details				

PROCORE SR SERIES ACCESSORIES*	
REAR ROLLER OPTIONS	
<b>09952</b>	Rear Roller Kit for ProCore SR54 / SR54S
<b>09953</b>	Rear Roller Kit for ProCore SR70 / SR70S
<b>09954</b>	Rear Roller Kit for ProCore SR72

\*Specifications and design subject to change without notice. Products depicted in this literature are for demonstration purposes only. Actual products offered for sale may vary in use, design, required attachments and safety features. Consult your local Toro Distributor.





## Turf Aerators 686 & 687

The 686 and 687 Turf Aerators give excellent depth performance and follow ground contours, vertically and horizontally, like no other aerator available.



	TURF AERATOR 686, MODEL 44856*	TURF AERATOR 687, MODEL 44867*
<b>CAST WHEELS</b>	3 sets of 4, each set moves independently. 70 lbs. (32 kg), 13" (33 cm) diameter.	
<b>AERATING SWATH</b>	78" (198 cm)	78" (198 cm)
<b>TINES</b>	Choice of 1/2" (12.7 mm) or 3/4" (19 mm) open or closed tines. 4" (10 cm) and 6" (15 cm) slicing blades.	
<b>PATTERN</b>	6" (15 cm) forward. 3" (8 cm) lateral	
<b>HITCH</b>	Drop pin, tow type with hydraulic cylinder for lift, hand pump standard.	3 pt., Category 1.
<b>OPERATING SPEED</b>	1-10 mph (1.6-16.1 km/h)	1-10 mph (1.6-16.1 km/h)
<b>LENGTH</b>	78" (198 cm)	48" (122 cm)
<b>WIDTH</b>	90" (229 cm)	82" (208 cm)
<b>HEIGHT</b>	Approx. 40" (102 cm)	Approx. 40" (102 cm)
<b>OPTIONS</b>	Tractor Remote Kit, Model 68-608-3521. Jack.	N/A
<b>INCLUDED ACCESSORIES</b>	Weights: 10 lbs. (4.5 kg) each, 8 maximum per coring head. Additional weights can be added.	
<b>SHIPPING WEIGHT</b>	1,420 lbs. (644 kg)	1,300 lbs. (590 kg)
<b>WARRANTY</b>	Two-year limited warranty; Refer to the Operator's Manual for further details.	

\*Specifications and design subject to change without notice. Products depicted in this literature are for demonstration purposes only. Actual products offered for sale may vary in design, required attachments and safety features. Consult your local Toro Distributor.





# Topdresser 1800

An 18 cubic foot (509 cubic liters), bed-mounted topdresser that is durable, flexible and delivers an even rate of application – whether a light or heavy topdressing application is desired.



TOPDRESSER 1800, MODEL 44225*				
<b>HOPPER CAPACITY</b>	18 cu. ft. (509 liter) or 1,476 lbs. (669.5 kg)			
<b>SPREADING WIDTH</b>	60" (152 cm)			
<b>TOPDRESSING SPEED</b>	Up to 8 mph (12.8 km/h).			
<b>TRANSPORT SPEED</b>	Up to 12 mph (19.3 km/h).			
<b>CONVEYOR BELT</b>	Seamless 60" (152.4 cm) wide belt, polyester mono-filament interwoven material w/vulcanized PVC "v-pattern" traction surface.			
<b>METERING GATE</b>	Infinitely variable from closed to 3.5" (8.9 cm) opening for light to heavy applications. Flexible edge and spring release.			
<b>CONTROLS</b>	Hydraulic engage/disengage lever from operators console.			
<b>DRIVE</b>	Remote hydraulic from utility vehicle.			
<b>DIMENSIONS /WEIGHT</b>	<b>Height</b> 43" (109 cm)	<b>Length</b> 52" (132 cm)	<b>Width</b> 72.5" (184 cm)	<b>Shipping Weight</b> 893 lbs. (405 kg)
<b>WARRANTY</b>	Two-year limited warranty. Refer to operator's manual for further details.			

\*Specifications and design subject to change without notice. Products depicted in this literature are for demonstration purposes only. Actual products offered for sale may vary in design, required attachments and safety features. Consult your local Toro Distributor.





# Topdresser 2500

This 25 cu. ft. (698 liter) Topdresser gives you precise control and consistently delivers an even application—whether light or heavy topdressing is desired.



TOPDRESSER 2500, MODEL 44507*											
<b>HOPPER CAPACITY</b>	25 cu. ft. (707 liter) or up to 2,050 lbs. (929.8 kg).										
<b>SPREADING WIDTH</b>	60" (152 cm)										
<b>TOPDRESSING SPEED</b>	Variable to desired application rate. 2-8 mph (3.2-12.8 km/h).										
<b>TRANSPORT SPEED</b>	Up to 12 mph (19.3 km/h). Optional brake kit available.										
<b>CONVEYOR BELT</b>	Seamless 60" (152 cm) wide belt, polyester mono-filament interwoven material w/vulcanized PVC "v-pattern" traction surface.										
<b>METERING GATE</b>	Infinitely variable from closed to 3.5" (8.89 cm) opening for light to heavy applications. Flexible edge and spring release.										
<b>CONTROLS</b>	12-volt on/off switch at operator's position to engage conveyor and brush. Metering gate runs full width in front of brush.										
<b>DRIVE</b>	Hydraulic with chain driven pumps. Belt motor with chain reduction. Brush motor direct drive. Electric hydraulic solenoid control to activate topdress motors. Closed loop hydraulic system with charge pump and 25 micron filtration.										
<b>TIRES</b>	(4) 18 x 10.5-8, 4-ply ribbed, high floatation turf tires on oscillating axle sets.										
<b>DIMENSIONS /WEIGHT</b>	<table border="1"> <thead> <tr> <th>Height</th> <th>Width</th> <th>Overall Length</th> <th>Shipping Weight</th> <th>Maximum Weight</th> </tr> </thead> <tbody> <tr> <td>43" (109 cm)</td> <td>72.5" (184 cm)</td> <td>97.5" (247.6 cm)</td> <td>1,454 lbs. (659.5 kg)</td> <td>3,500 lbs. (1,587.5 kg)</td> </tr> </tbody> </table>	Height	Width	Overall Length	Shipping Weight	Maximum Weight	43" (109 cm)	72.5" (184 cm)	97.5" (247.6 cm)	1,454 lbs. (659.5 kg)	3,500 lbs. (1,587.5 kg)
Height	Width	Overall Length	Shipping Weight	Maximum Weight							
43" (109 cm)	72.5" (184 cm)	97.5" (247.6 cm)	1,454 lbs. (659.5 kg)	3,500 lbs. (1,587.5 kg)							
<b>WARRANTY</b>	Two-year limited warranty. Refer to operator's manual for further details.										

\*Specifications and design subject to change without notice. Products depicted in this literature are for demonstration purposes only. Actual products offered for sale may vary in use, design, required attachments and safety features. See distributor for details on all warranties.







# ProPass™ 200

The ProPass 200 Series broadcast-style topdressers provide the ultimate in application versatility. Intuitive color-coded adjustment settings deliver extremely accurate spread patterns from ultra-light dustings to ultra-heavy aeration filling applications. The four-wheel, walking-beam suspension means a light footprint that is easy on the most sensitive turf. If you are looking for one topdresser to do it all – the ProPass 200 is the only one. Choice of bed-mounted or trailer configurations and manual or wireless controls.



PROPASS 200, MODEL 44701 / PROPASS 200 WIRELESS, MODEL 44751*							
<b>GENERAL</b>	Hopper Capacity: 21 ft <sup>3</sup> / 0.54 m <sup>3</sup> struck (25 ft <sup>3</sup> / 0.71 m <sup>3</sup> heaped) Controls: standard or electronic wireless Belt: One-piece vulcanized, self-tracking (no seams or staples) Hydraulic Power Pack (optional): 11 hp (8.2 Kw) engine Cross conveyor / swivel kit assembly (option): cross conveyor rotates 270 degrees and extends up to 54.5 in (137 cm) from centerline of topdresser						
<b>SPREAD WIDTH</b>	Variable, up to 30' (9.1 meters)						
<b>WEIGHT</b>	Truck mount base model: 546 lbs (247.6 kg) Tow behind chassis: 480 lbs (217.7 kg) Truck mount kit: 90 lbs (40.8 kg) Twin spinner: 140 lbs (63.5 kg) Truck mount storage stand: 65 lbs (29.4 kg) Hydraulic power pack engine: (dry) 220 lbs (99.8 kg) Cross conveyor / swivel kit assembly: 140 lbs (65.3 kg)						
<b>DIMENSIONS</b>	<table border="1"> <thead> <tr> <th>Tow-Behind Configuration</th> <th>Truck Mount Configuration</th> <th>Cross Conveyor Configuration</th> </tr> </thead> <tbody> <tr> <td>Length 134 in (3.4 m) Height 56 in (1.42 m) Width 65 in (1.65 m) Total unit weight: 1166 lbs (528.8 kg) Payload 2,000 lbs (907 kg)</td> <td>Length 78 in (1.98 m) Height 56 in (1.4 m) Width 65 in (1.65 m) Total unit weight: 776 lbs (351.9 kg) Payload: 2,000 lbs (907 kg)</td> <td>Length 65 in (1.65 m) Belt width: 8 in (20.3 cm) seamless</td> </tr> </tbody> </table>	Tow-Behind Configuration	Truck Mount Configuration	Cross Conveyor Configuration	Length 134 in (3.4 m) Height 56 in (1.42 m) Width 65 in (1.65 m) Total unit weight: 1166 lbs (528.8 kg) Payload 2,000 lbs (907 kg)	Length 78 in (1.98 m) Height 56 in (1.4 m) Width 65 in (1.65 m) Total unit weight: 776 lbs (351.9 kg) Payload: 2,000 lbs (907 kg)	Length 65 in (1.65 m) Belt width: 8 in (20.3 cm) seamless
Tow-Behind Configuration	Truck Mount Configuration	Cross Conveyor Configuration					
Length 134 in (3.4 m) Height 56 in (1.42 m) Width 65 in (1.65 m) Total unit weight: 1166 lbs (528.8 kg) Payload 2,000 lbs (907 kg)	Length 78 in (1.98 m) Height 56 in (1.4 m) Width 65 in (1.65 m) Total unit weight: 776 lbs (351.9 kg) Payload: 2,000 lbs (907 kg)	Length 65 in (1.65 m) Belt width: 8 in (20.3 cm) seamless					
<b>TIRES ON CHASSIS</b>	24 x 13 x 12 in (60 x 32.5 x 30 cm) , 4-ply Suspension: 4-wheel walking beam						
<b>TOW VEHICLE REQUIREMENTS</b>	Towing capacity: 3,400 lbs (1542 kg) Tongue weight: 300 lbs (136 kg)						
<b>HYDRAULICS</b>	Minimum 6 US gal/m @ 2,000 psi (23 L/m @ 138 bar) Maximum 10 US gal/m @ 2,800 psi (38 L/m @ 190 bar)						
<b>WARRANTY</b>	Two-year limited warranty. Refer to operator's manual for further details.						
<b>CE REQUIREMENTS</b>	Meets the CE requirements for the EU						

\*Specifications and design subject to change without notice. Products depicted in this literature are for demonstration purposes only. Actual products offered for sale may vary in design, required attachments and safety features. Consult your local Toro Distributor.





# MH-400

The MH-400 handles everything: topdressing, cross-conveyor, material delivery & hauling/transport. Designed to perform everyday as part of your maintenance program. By being an integral component to daily tasks the MH-400 reduces labor, saves time and cuts operating costs. Optional wireless remote control available.



MH-400, MODEL 44931 / MH-400 WIRELESS, MODEL 44954*	
<b>GENERAL</b>	Hopper capacity: 4 yd <sup>3</sup> (3.06 m <sup>3</sup> ) Main conveyor belt: one-piece vulcanized, self-tracking, 30" (76.2 cm) wide Controls: standard hydraulic (SH) or electronic hydraulic (EH) Optional accessories: twin spinner assembly, cross-conveyor swivel kit that extends up to 63.3" (159.5 cm) from centerline of topdresser
<b>SPREAD WIDTH</b>	Variable, up to 40' (12.2 meters) using twin spinner accessory
<b>WEIGHT</b>	Base model: 3,000 lbs (1,360.7 kg) - empty with no options installed
<b>CHASSIS</b>	Payload (tare): 11,800 lbs (5,352.3 kg) GVWR: 14,800 lbs (6,713 kg) Suspension: 4-wheel walking beam with 10-ply turf tires Tire size: 32 x 16.00 x 15" (81.3 x 40.6 x 38.1 cm) 10-ply Brakes (electric) - 2-wheel standard, 4-wheel optional
<b>DIMENSIONS</b>	Length 190 in (4.8 m)    Height 86 in (2.2 m)    Width 78 in (1.98 m)
<b>TOW VEHICLE REQUIREMENTS</b>	Towing capacity: 15,850 lbs (7,189 kg) - maximum payload Minimum power: 45 Hp (33.5 kW)
<b>HYDRAULICS</b>	Recommended flow (min no options installed): 6 US gal/min (23 L/min) Recommended flow (min options installed): 10 US gal/min (38 L/min) Recommended input pressure (min): 2,000 psi (138 bar)
<b>WARRANTY</b>	Two-year limited warranty. Refer to operators manual for further details.
<b>CE REQUIREMENTS</b>	Meets the CE requirements for the EU

\*Specifications and design subject to change without notice. Products depicted in this literature are for demonstration purposes only. Actual products offered for sale may vary in design, required attachments and safety features. Consult your local Toro Distributor.





## Multi Pro® 1750

Toro's 175-gallon (662.4 liter) dedicated vehicle sprayer is the culmination of hundreds of hours of insightful customer input. This sprayer uses an advanced spray system combined with cutting-edge sprayer controls and productive vehicle features to create the most advanced, efficient and accurate 175-gallon sprayer on the market. From aggressive agitation, faster response, consistent and accurate application rates, and intuitive rate set up, to precise vehicle control, this sprayer has it all.



MULTI PRO 1750, MODEL 41188*	
<b>ENGINE</b>	Kohler,® CH740 Command Series, twin-cylinder, air-cooled, 4-cycle, 25 hp (18.6 kW) gross.
<b>TRACTION SYSTEM</b>	Kanzaki / Tuff Torq 3-speed (forward). 1-speed (reverse), mechanical transaxle with differential lock.
<b>GROUND SPEEDS</b>	<b>Forward:</b> 0 – 11.5 mph (0 – 18.5 kph). <b>Reverse:</b> 0 – 2.5 mph (0 – 4 kph).
<b>TIRES</b>	<b>Front:</b> 20" (50.8 cm) diameter, smooth tread (treadless); 4 ply; 20x10-10; 5-hole bolt pattern rim. <b>Rear:</b> 24" (60.9 cm) diameter; turf tread; 6-ply; 24x13-12; 5-hole bolt pattern rim.
<b>BRAKES</b>	Four wheel hydraulic disc, 2-piston calipers; <b>Front:</b> 7.5" (19 cm) diameter rotor <b>Rear:</b> 9.5" (24 cm) diameter rotor.
<b>MAIN FRAME</b>	High-strength, formed steel rear frame channels welded to steel tubular crossmembers and upper/lower steel tubular structure, ROPS standard.
<b>SUSPENSION</b>	<b>Front suspension</b> – Double A-Arm with coil over shock; <b>Rear suspension</b> – rigid; rubber tires.
<b>STEERING</b>	Fully hydraulic; steering wheel turns, lock to lock: 3.5
<b>GAUGES/INDICATORS</b>	Multi-function display (InfoCenter™), analog pressure gauge, mechanical fuel gauge.
<b>VEHICLE CONTROLS</b>	Ignition key switch, choke, headlight switch, optional wireless hour meter, speed lock.
<b>SEAT</b>	Single, high back cushion seat standard with manual position adjustment w/seat belts.
<b>WEIGHT</b>	2200 lbs. (997.9 kg) shipping weight
<b>DIMENSIONS</b>	Measurements with spray system: <b>Length</b> = 140" (3.55 m) (w/booms folded in cradles) <b>Width</b> = 70" (1.77 m) (w/booms folded in cradles) <b>Height</b> = 97" (2.4 m) (w/booms folded in cradles)
<b>WARRANTY</b>	Two-year limited warranty. Refer to operator's manual for further details.

SPRAYER SPECIFICATIONS*	
<b>SOLUTION TANK</b>	Elliptical, high-density, impact-resistant polyethylene with large 16" (41 cm) fill well opening; tapered bottom and sump with drain.
<b>RATED CAPACITY</b>	175 gallons (662.4 liters)
<b>SPRAY PUMP</b>	Hardi 364/5.5, 6-diaphragm positive displacement w/1" (2.5 cm) input shaft; input speed 300-860 rpm, Flow rate of 45 gpm (170.3 lmp) @ 40 psi (860 rpm).
<b>AGITATOR</b>	Three, side-mounted jet agitation nozzles for full tank agitation.
<b>CONTROLS</b>	Spray pump control switch, agitator jet switch, rate switch, individual boom on/off switches, boom actuator switches, indicator lights on pump, agitation and boom switches, throttle lock, app rate lock-out.

OPEN BOOM (STANDARD)*	
<b>BOOM ASSEMBLY</b>	18.5' (5.6 m) three-section, triangular truss-style open booms, expandable to 20.5' (6.3 m) with optional kit.
<b>BOOM ACTUATORS</b>	Heavy-duty hydraulic lift actuators with nitro-steel plated shafts; 1-3/4" (4.4 cm) Bore x 10.06" (25.6 cm) stroke
<b>SPRAY NOZZLES</b>	Eleven nozzle turrets, triple turret-mount, quick-disconnect with diaphragm check valves. Twelve nozzle turrets with optional kit.

MULTI PRO 1750 ACCESSORIES*	
<b>CLEANLOAD™ EDUCATOR</b>	This on-board mixing station allows rapid and safe loading of any chemical without the need to first mix into a slurry. Incorporates a built-in bottle wash nozzle and has an optional suction lance to pull in liquid products from their container. Stores within the width of the spray vehicle.
<b>FRESH WATER RINSE KIT</b>	Simplifies and automates triple-rinse process, saving hours and hours of clean-up time.
<b>ELECTRIC HOSE REEL</b>	150' (45.7 m) of 0.5" (13 mm) hose for hand or walk spraying applications. Convenient electric powered rewind. Spray gun has an adjustable nozzle from stream to fan.
<b>PRO FOAM™ MARKING KIT</b>	Foam dollops ensure accurate parallel path tracking. Select foam for either boom or both.
<b>PRO FOAM</b>	1 gallon (3.8 L) bottle of Pro Foam Concentrate.
<b>ULTRA SONIC BOOM™ KIT</b>	Sonar sensors automatically maintain proper spray height over undulating turf.
<b>COVERED BOOM KIT</b>	Extends 12" (30.5 cm) below the boom to minimize chemical drift in breezy conditions while retaining full boom system functionality.
<b>UNIVERSAL SUNSHADE</b>	With optional electric fan
<b>HAND SPRAY WAND KIT</b>	Spray manually using handheld device for precision and accuracy.
<b>AIR INDUCTION TURBO TWIN JET NOZZLES</b>	Exclusive to Toro in the 0.8 gpm (3.02 lpm), 1.0 gpm (3.79 lpm) and 1.5 gpm (5.68 lpm) sizes, for exceptional contact coverage.
<b>CONTACT &amp; SYSTEMIC NOZZLES</b>	See complete nozzle listing in the <b>Multi Pro® Nozzle Selection Brochure</b> – available for download on <a href="http://toro.com">toro.com</a>
<b>NOZZALERT™</b>	Monitors flow at each individual nozzle position, alerting the operator to flow deviations caused by worn, broken, clogged, or missing nozzles.
<b>GEOLINK® PRECISION SPRAY SYSTEM</b>	Toro's exclusive turf-based GPS precision spray system featuring sub-inch accuracy, repeatable mapping, and either CDMA or GSM cellular connectivity.

**A Safety Reminder:** Prior to any application, know the chemical content and the manufacturer's recommendation for protective clothing. Always wear proper clothing and mask when applying chemicals.

\*Specifications and design subject to change without notice. Products depicted in this literature are for demonstration purposes only.

Actual products offered for sale may vary in use, design, required attachments and safety features. See distributor for details on all warranties.





# GeoLink® Precision Spray System Specifications\*

TOPCON AGS-2 RECEIVER	
<b>DIMENSIONS (H x W x D)</b>	2.1" (53 mm) x 5.2" (130.5 mm) x 5.4" (136.5 mm)
<b>POSITIONING SYSTEM</b>	Real-time Kinematic (RTK). Optional PPP (Precise Point Positioning) as fallback for RTK
<b>CONSTELLATIONS</b>	GPS, GLONASS, GALILEO, BeiDou, QZSS
<b>POWER</b>	9-28 VDC
<b>COMPLIANCE</b>	J1939 and ISO11783
<b>WEATHER RESISTANCE</b>	Achieved IP69K rating

TOPCON XD+ DISPLAY	
<b>DISPLAY</b>	12.1" (307mm) 1280 x 800 px. TFT Color Graphic LCD with LED backlight
<b>DIMENSIONS</b>	8.4" x 13" (214 mm x 330 mm)
<b>POWER</b>	9V - 36V input (voltage and polarity protected).
<b>OPERATING SYSTEM</b>	Linux with icon-based GeoLink software. NXP I.MX6®, quad core, 1GHz processor, Mass storage: 8GB, RAM: 1GB
<b>FEATURES</b>	Machine-to-machine communication, multiple inclusion zones, easy and standard modes, configurable with multi-view capabilities, interactive keypad, on-demand mini views and expandable views, 28 languages, rear-facing speaker, multiple application control, ISO UT ready, remote capable.
<b>WEATHER RESISTANCE</b>	Achieved IP67 rating

ACCESSORIES	
<b>GEOLINK® AS</b>	Exclusively available for the Multi Pro 5800 (Model 41394) with GeoLink. GeoLink AS enables autosteer, ensuring the optimal next pass is followed and providing the most efficient use of your sprayer.
<b>REFERENCE ANTENNA KIT</b>	GeoLink Precision Spray System reference antenna kit.

## Key Benefits of GeoLink Precision Spray System:

- Universal CL-55 cellular modem, capable of connecting to multiple cellular providers
- Use multiple machines for a single job with Machine-to-Machine communication
- Software for turf, not agriculture
- Repeatable sub-inch location accuracy
- Flexible, customizable and easy to use
- Intuitive icon-based menus
- Multiple inclusion zones – group like areas into a single job
- Improved consistency – less dependence on operator skill level

RTK: Real Time Kinematic (RTK) satellite correction is a technique used to enhance the precision of position data derived from satellite-based positioning systems, being usable in conjunction with all positioning platforms.



GeoLink's individual nozzle control saves time and money.



\*Specifications and design subject to change without notice. Products depicted in this literature are for demonstration purposes only. Actual products offered for sale may vary in use, design, required attachments and safety features. See distributor for details on all warranties.







## Multi Pro® 5800

Extensive customer input and advanced sprayer technology are built into this innovative dedicated sprayer providing numerous performance and operational features.



# Multi Pro® 5800 Specifications

MULTI PRO 5800-G, MODEL 41394*													
<b>ENGINE</b>	Kubota® WG1605, rated output: 50 hp (37.3 kW), 1.6 L, 4-cylinder liquid-cooled electronic fuel injection, throttle control, three-way catalytic converter, gear-driven valve train, and a diagnostic port.												
<b>COOLING SYSTEM</b>	Mid-mounted 3.3 (3.12 L) quart radiator with oil cooler mounted in front.												
<b>FUEL SYSTEM</b>	12 gallon (45 L) polyethylene/nylon low-permeation fuel tank with 1.5" (38 mm) opening on the passenger side for fueling; non-vented fuel cap with electronic fuel gauge on the console, in-tank fuel replacement filter, (unleaded gasoline), evaporative emission system with carbon canister.												
<b>TRACTION SYSTEM</b>	Hydrostatic system driving double planetary gear reduction rear wheel drives; foot pedal control of forward/reverse ground speed.												
<b>GROUND SPEED</b>	Forward: 0-10 mph (0-16.1 km/h). Reverse: 0-4 mph (0-6.4 km/h).												
<b>TIRES</b>	Front: 23" diameter rounded profile, 4-ply rated tire with smooth tread pattern; wheel has 5-hole bolt pattern for lugs. Rear: 26.5" diameter rounded profile, 6-ply rated tire with turf tread pattern; wheel has 8-hole bolt pattern for lugs.												
<b>BRAKES</b>	2-wheel mechanical cable operated multi disc wet brakes with additional hydrostatic braking through drive train.												
<b>MAIN FRAME</b>	Welded high strength steel tubular construction.												
<b>SUSPENSION</b>	Front: straight axle with twin independent leaf springs and dual shock absorbers. Rear: rigid with high flotation rear tires.												
<b>STEERING</b>	Fully hydraulic with dedicated power source 48° steering angle.												
<b>GAUGES/INDICATORS</b>	Ignition key switch; analog spray system pressure gauge; fuel gauge; battery voltage lamp; oil pressure warning lamp; coolant temperature warning lamp; InfoCenter display console.												
<b>CONTROLS</b>	Throttle control; spray pump switch; tank agitation switch; individual boom section switches; master boom switch; speed-lock switch; manual/automatic spray mode switch; boom lift/lower switches; manual application rate control (pressure) switch; USB port; 12V power socket; ExcelaRate™ automatic spray rate control (via InfoCenter).												
<b>SEATS</b>	Bucket seats with easy tilt forward bracket; removable bolts allow for adjustment for various seat positions; seats are interchangeable from left to right.												
<b>ELECTRICAL FEATURES</b>	12 volt, 690 cold cranking amps at 0° F (-18° C). 12 volt, 60 Amp alternator. Dash mounted ignition switch.												
<b>LIGHTS</b>	Rectangular 12 volt, 37.5 watt halogen sealed beam headlights.												
<b>SOUND LEVEL</b>	90 dB(A) at operator ear under normal operation												
<b>WEIGHT</b>	Drive-on weight: 2,882 lbs. (1,307 kg), Shipping weight: 2,882 lbs. (1,307 kg), Empty vehicle: 2,882 lbs. (1,307 kg), Full w/ Operator: 5,692 lbs. (2,582 kg), MGWV: 6,692 lbs. (3,035 kg).												
<b>DIMENSIONS</b>	Measurements with spray system— <table border="0" style="width: 100%;"> <tr> <td style="width: 30%;">Overall Length:</td> <td style="width: 30%;">154" (391 cm) booms forward.</td> <td style="width: 20%;">Turning Diameter:</td> <td style="width: 20%;">15'-7" (4.7 m) front tire inside</td> </tr> <tr> <td>Overall Width:</td> <td>88" (224 cm) booms forward..</td> <td></td> <td>26'-7" (8.1 m) front tire outside</td> </tr> <tr> <td>Height:</td> <td>83.5" (212 cm) to top of ROPS</td> <td></td> <td></td> </tr> </table>	Overall Length:	154" (391 cm) booms forward.	Turning Diameter:	15'-7" (4.7 m) front tire inside	Overall Width:	88" (224 cm) booms forward..		26'-7" (8.1 m) front tire outside	Height:	83.5" (212 cm) to top of ROPS		
Overall Length:	154" (391 cm) booms forward.	Turning Diameter:	15'-7" (4.7 m) front tire inside										
Overall Width:	88" (224 cm) booms forward..		26'-7" (8.1 m) front tire outside										
Height:	83.5" (212 cm) to top of ROPS												
<b>WARRANTY</b>	Two-year limited warranty. Refer to the Operator's Manual for further details.												
<b>CERTIFICATION</b>	SAE 2258 Dec. 2003 and EU 98/37EC Machinery Directive. 2014/108/EC (EMC).												

SPRAYER SPECIFICATIONS*	
<b>SOLUTION TANK</b>	Elliptical, high-density, impact-resistant polyethylene with large 16" (41 cm) fill opening.
<b>RATED CAPACITY</b>	300 gallon (1,136 liter).
<b>SPRAY PUMP</b>	Hardi 364 / 10.0 6-diaphragm positive displacement; flow rate 45 gpm (170.3 lpm), 220 psi (1500 kpa) maximums.
<b>AGITATOR</b>	4, side-mounted jet agitation nozzles for full tank agitation.
<b>BOOM ASSEMBLY</b>	20.5' (6.25 m), 4 nozzles per selection, triangular truss-style open boom. 12 total triple-turret nozzle mounts with diaphragm check valves.

**A Safety Reminder:** Prior to any application, know the chemical content and the manufacturer's recommendation for protective clothing. Always wear proper clothing and mask when applying chemicals.

\*Specifications and design subject to change without notice. Products depicted in this literature are for demonstration purposes only. Actual products offered for sale may vary in use, design, required attachments and safety features. See distributor for details on all warranties.





# Multi Pro® 5800 Accessories

MULTI PRO 5800 ACCESSORIES*	
<b>GEOLINK® PRECISION SPRAY SYSTEM</b>	Toro's exclusive turf-based GPS precision spray system featuring sub-inch accuracy, repeatable mapping, and either CDMA or GSM cellular connectivity.
<b>GEOLINK® AS</b>	Exclusively available for the Multi Pro 5800 with GeoLink. GeoLink AS enables autosteer, ensuring the optimal next pass is followed and providing the most efficient use of your sprayer.
<b>NOZZALERT™</b>	Monitors flow at each individual nozzle position, alerting the operator to flow deviations caused by worn, broken, clogged, or missing nozzles.
<b>CLEANLOAD EDUCTOR KIT</b>	This on-board mixing station allows rapid and safe loading of any chemical without the need to first mix into a slurry. Incorporates a built-in bottle wash feature and has an optional suction lance to draw liquid or powder products from their container. Stores within the width of the spray vehicle for transport.
<b>FRESH WATER RINSE KIT</b>	30 Gallons (114 L). Nesting inconspicuously behind the main tank, this system includes a separate electric diaphragm pump, dedicated plumbing and dual rinse nozzles. At 10 gallons (38 l) per cycle, it has on-board capacity to complete a triple rinse process, saving precious time.
<b>ELECTRIC HOSE REEL KIT</b>	150' (45.7 m) of 0.5" (13 mm) hose for hand or walk spraying applications. Convenient electric powered rewind. Spray gun has an adjustable nozzle from stream to fan.
<b>PRO FOAM MARKING KIT</b>	Foam dollops ensure accurate parallel path tracking. Select foam for either boom or both.
<b>PRO FOAM</b>	1 gallon (3.8 L) bottle of Pro Foam Concentrate.
<b>HAND SPRAY WAND KIT</b>	Spray manually using handheld device for precision and accuracy.
<b>ULTRA SONIC BOOM LEVELING KIT</b>	Sonar sensors automatically maintain proper boom height over undulating turf for consistent and proper spray pattern.
<b>DRIFT REDUCTION BOOM SHROUD</b>	Extends 12" (30.5 cm) below the boom to minimize chemical drift in breezy conditions while retaining full boom system functionality.
<b>SUNSHADE</b>	Hard shell sunshade canopy w/windshield option. (From Custom Products of Litchfield, 1-800-CAB-LINE, <a href="http://www.cozycab.com/cabs">www.cozycab.com/cabs</a> ).
<b>FULLY ENCLOSED CAB</b>	Full-view operator safety cab with AC, wiper and mirror options. (From Custom Products of Litchfield, 1-800-CAB-LINE, <a href="http://www.cozycab.com/cabs">www.cozycab.com/cabs</a> ).
<b>AIR CONDITIONER</b>	Custom Products of Litchfield, 1-800-CAB-LINE, <a href="http://www.cozycab.com/cabs">www.cozycab.com/cabs</a> .
<b>AIR INDUCTION TURBO TWIN JET NOZZLES</b>	Exclusive to Toro in the 0.8 gpm (3.02 lpm), 1.0 gpm (3.79 lpm) and 1.5 gpm (5.68 lpm) sizes, for exceptional contact coverage.
<b>CONTACT &amp; SYSTEMIC NOZZLES</b>	Select the right nozzle for your application by using the <b>Multi Pro Nozzle Selection Brochure</b> - available via <a href="http://Toro.com">Toro.com</a>

**A Safety Reminder:** Prior to any application, know the chemical content and the manufacturer's recommendation for protective clothing. Always wear proper clothing and mask when applying chemicals.

\*Specifications and design subject to change without notice. Products depicted in this literature are for demonstration purposes only. Actual products offered for sale may vary in use, design, required attachments and safety features. See distributor for details on all warranties.





# GeoLink® Precision Spray System Specifications\*

TOPCON AGS-2 RECEIVER	
<b>DIMENSIONS (H x W x D)</b>	2.1" (53 mm) x 5.2" (130.5 mm) x 5.4" (136.5 mm)
<b>POSITIONING SYSTEM</b>	Real-time Kinematic (RTK). Optional PPP (Precise Point Positioning) as fallback for RTK
<b>CONSTELLATIONS</b>	GPS, GLONASS, GALILEO, BeiDou, QZSS
<b>POWER</b>	9-28 VDC
<b>COMPLIANCE</b>	J1939 and ISO11783
<b>WEATHER RESISTANCE</b>	Achieved IP69K rating

TOPCON XD+ DISPLAY	
<b>DISPLAY</b>	12.1" (307mm) 1280 x 800 px. TFT Color Graphic LCD with LED backlight
<b>DIMENSIONS</b>	8.4" x 13" (214 mm x 330 mm)
<b>POWER</b>	9V - 36V input (voltage and polarity protected).
<b>OPERATING SYSTEM</b>	Linux with icon-based GeoLink software. NXP I.MX6®, quad core, 1GHz processor, Mass storage: 8GB, RAM: 1GB
<b>FEATURES</b>	Machine-to-machine communication, multiple inclusion zones, easy and standard modes, configurable with multi-view capabilities, interactive keypad, on-demand mini views and expandable views, 28 languages, rear-facing speaker, multiple application control, ISO UT ready, remote capable.
<b>WEATHER RESISTANCE</b>	Achieved IP67 rating

ACCESSORIES	
<b>GEOLINK® AS</b>	Exclusively available for the Multi Pro 5800 (Model 41394) with GeoLink. GeoLink AS enables autosteer, ensuring the optimal next pass is followed and providing the most efficient use of your sprayer.
<b>REFERENCE ANTENNA KIT</b>	GeoLink Precision Spray System reference antenna kit.

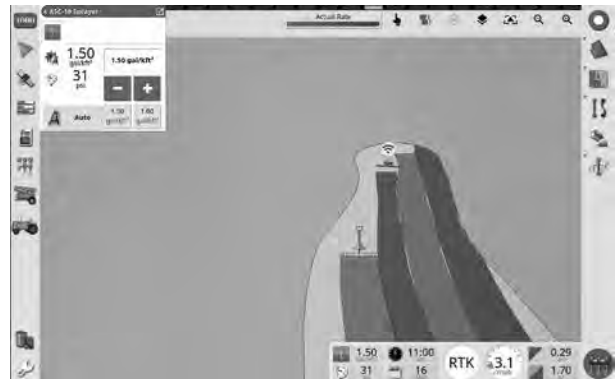
## Key Benefits of GeoLink Precision Spray System:

- Universal CL-55 cellular modem, capable of connecting to multiple cellular providers
- Use multiple machines for a single job with Machine-to-Machine communication
- Software for turf, not agriculture
- Repeatable sub-inch location accuracy
- Flexible, customizable and easy to use
- Intuitive icon-based menus
- Multiple inclusion zones – group like areas into a single job
- Improved consistency – less dependence on operator skill level

RTK: Real Time Kinematic (RTK) satellite correction is a technique used to enhance the precision of position data derived from satellite-based positioning systems, being usable in conjunction with all positioning platforms.



GeoLink's individual nozzle control saves time and money.



\*Specifications and design subject to change without notice. Products depicted in this literature are for demonstration purposes only. Actual products offered for sale may vary in use, design, required attachments and safety features. See distributor for details on all warranties.





# Multi Pro® WM – 200-Gallon Sprayer Specifications

SPRAYER SPECIFICATIONS*	
<b>SOLUTION TANK</b>	High-density, impact-resistant polyethylene with large 16" (41 cm) fill opening, tapered bottom and sump with drain.
<b>RATED CAPACITY</b>	200 gallons (757 liters).
<b>SPRAY PUMP</b>	Hardi 364/10.0, 6-diaphragm positive displacement pump w/1" (2.5 cm) input shaft; input speed 0-540 rpm; Flow rate 45 gpm (170.3 lpm) @ 40 psi (540 rpm).
<b>AGITATOR</b>	4, side-mounted jet agitation nozzles for full tank agitation.
<b>CONTROLS</b>	Spray pump control switch, agitator jet switch, rate switch, individual boom On/Off switches, boom actuator switches, indicator lights on pump, agitation and boom switches, throttle lock.

OPEN BOOMS (STANDARD)*	
<b>BOOM ASSEMBLY</b>	18.5' (5.6 m) three section, triangular truss style open booms. Optional 20.5' (6.25 m) booms available.
<b>BOOM ACTUATORS</b>	Heavy Duty hydraulic lift actuators with nitro-steel plated shafts; 1-3/4" Bore x 10.06" Stroke.
<b>SPRAY NOZZLES</b>	Eleven nozzle turrets, triple turret-mount, quick-disconnect with diaphragm check valves. Twelve nozzle turrets with optional kit.



MULTI PRO WM ACCESSORIES*	
<b>NOZZALERT™</b>	Monitors flow at each individual nozzle position, alerting the operator to flow deviations caused by worn, broken, clogged, or missing nozzles.
<b>PRO FOAM™ MARKING KIT</b>	Foam dollops ensure accurate parallel path tracking. Select foam for either boom or both.
<b>PRO FOAM</b>	1 gallon (3.8 L) bottle of Pro Foam Concentrate.
<b>CLEANLOAD™ EDUCATOR KIT</b>	This on-board mixing station allows rapid and safe loading of any chemical without the need to first mix into a slurry Incorporates a built-in bottle wash nozzle and has an optional suction lance to pull in powdered or liquid products from their container. Stores within the width of the machine.
<b>FRESH WATER RINSE KIT</b>	Simplifies and automates the triple-rinse process, saving hours and hours of clean up time.
<b>ELECTRIC HOSE REEL KIT</b>	150' (45.7 m) of hose for hand or walk spraying applications. Convenient electric powered rewind. Spray gun has an adjustable nozzle from stream to fan.
<b>PRO FOAM™ MARKING KIT</b>	Foam dollops ensure accurate parallel path tracking. Select foam independently or both simultaneously.
<b>ULTRA SONIC BOOM™ KIT</b>	New sonar sensors automatically maintain proper spray height over undulating turf.
<b>COVERED BOOM KIT</b>	Extends 12" (30.5 cm) below the boom to minimize chemical drift in breezy conditions while retaining full boom system functionality.
<b>AIR INDUCTION TURBO TWIN JET NOZZLES</b>	Exclusive to Toro in the 0.8 gpm (3.02 lpm), 1.0 gpm (3.79 lpm) and 1.5 gpm (5.68 lpm) sizes, for exceptional contact coverage.
<b>CONTACT &amp; SYSTEMIC NOZZLES</b>	Select the right nozzle for your application by using the new <b>Multi Pro Nozzle Selection Brochure</b> - available via <a href="http://Toro.com">Toro.com</a>

**WARNING**  
 THE WORKMAN® IS AN OFF-HIGHWAY VEHICLE, AND IS NOT DESIGNED, EQUIPPED, OR MANUFACTURED FOR USE ON PUBLIC STREETS, ROADS OR HIGHWAYS.

\*Specifications and design subject to change without notice. Products depicted in this literature are for demonstration purposes only. Actual Products offered for sale may vary in use, design, requirements and safety features. Consult your local Toro Distributor. "Cushman" is a registered trademark of Ransomes.

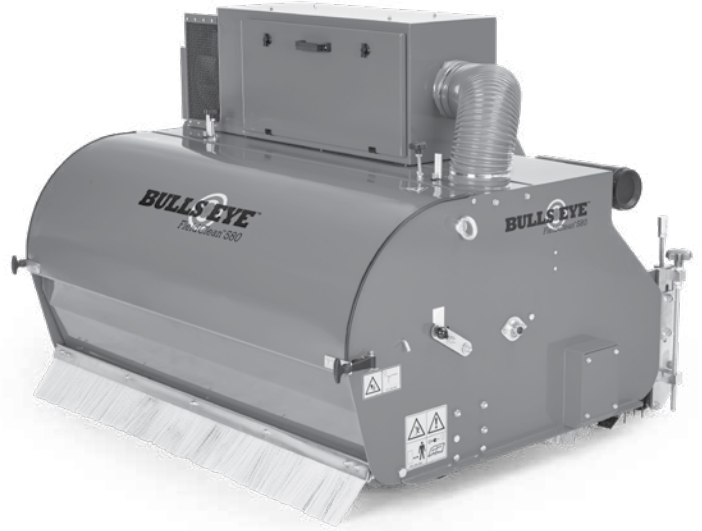






## FieldClean™ 580

Regular cleaning of synthetic turf is necessary to keep playing surfaces draining properly, in optimal playing condition and maximize their useful life. The Bullseye FieldClean 580 utilizes a row of spring tines that first loosen infill materials, embedded debris, hair and other fine materials up to a depth of 1" (2.5 cm). A highly effective, counter-rotating synthetic brush then lifts the debris and top layer of infill material from the turf and onto the adjustable angle vibrating sieve, allowing infill material to return to the field surface while debris, dust and hair are collected. The rear brush re-incorporates the infill material and leaves a freshly groomed surface.



BULLSEYE FIELDCLEAN 580, MODEL 46425*	
<b>WORKING WIDTH</b>	58.3" (147 cm)
<b>MAXIMUM WORKING DEPTH</b>	1.02" (2.6 cm)
<b>MAXIMUM CAPACITY</b>	189,875 square feet per hour (17,640 square meters per hour) at 7.5 mph (12 km/h)
<b>TRACTOR REQUIREMENT</b>	25 hp (18.6 Kw) with minimum lifting capacity of 1,323 lbs (600.1 kg), and category 1 three-point connection
<b>COLLECTION HOPPER CAPACITY</b>	6.0 cu. ft. (170 liters)
<b>SIFTING SCREEN MESH SIZE</b>	0.2" x 0.2" (5 mm x 5 mm) – standard
<b>WEIGHT</b>	1,135 lbs. (514.8 kg)
<b>DIMENSIONS</b>	<b>Width</b> 67.8" (172.2 cm) <b>Height</b> 46.5" (118.1 cm) <b>Length</b> 53.6" (136.1 cm)
<b>WARRANTY</b>	One-year limited warranty. Refer to the Operator's Manual for further details.

BULLSEYE FIELDCLEAN 580 ACCESSORIES*	
<b>0.126" SIEVE KIT</b>	0.126" x 0.126" (3.2 x 3.2 mm) sieve, part #144-7748
<b>0.157" SIEVE KIT</b>	0.157" x 0.157" (4 x 4 mm) sieve, part #144-7749
<b>0.236" SIEVE KIT</b>	0.236" x 0.236" (6 x 6 mm) sieve, part #144-7751

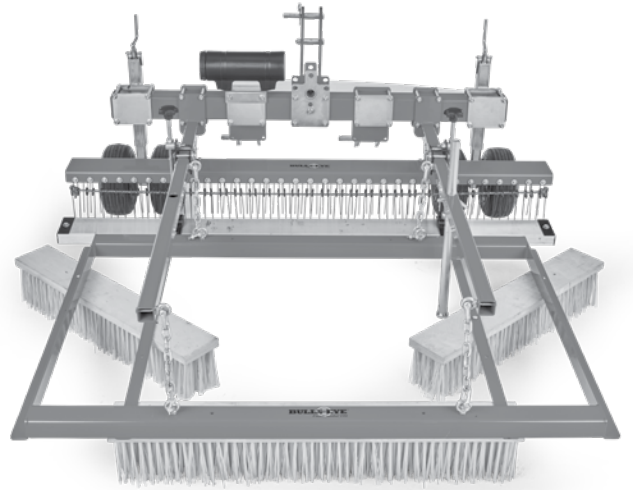
\*Specifications and design subject to change without notice. Products depicted in this literature are for demonstration purposes only. Actual products offered for sale may vary in design, required attachments and safety features. Consult your local Toro Distributor.





## FieldCombo™ 770

To brush, loosen and decompact the hardest infill, the Bullseye FieldCombo 770 is equipped with a variety of customizable tools to meet your needs. Two rows of steel spring tines gently lift and break up compacted areas while effectively mixing and softening any infill material. Used separately with spring tines raised, or in combination, the rear poly-brushes straighten and lift the turf fibers leaving them plush and upright for an improved playing surface and an exceptional field appearance. An optional magnet adds to its functionality and quickly installed drawbar kit allows even more tow vehicle options.



BULLSEYE FIELDCOMBO 770, MODEL 46420*	
<b>WORKING WIDTH</b>	77" (195.5 cm)
<b>DECOMPACTING DEPTH</b>	0 - 1.38" (0 - 35 mm), infinitely adjustable
<b>VEHICLE REQUIREMENT</b>	Tractor with minimum 18 hp (13.4 kw), a category 1, 3-point hitch or Workman MDX utility vehicle or equivalent, using drawbar hitch kit, model 46421
<b>NUMBER OF SPRING TINES</b>	Two rows of 66 (132 total)
<b>SPRING TINE SPACING</b>	0.59" (15 mm)
<b>WEIGHT</b>	495 lbs. (225 kg)
<b>DIMENSIONS</b>	<b>Width</b> 85" (215.9 cm) <b>Height</b> 35" (88.9 cm) <b>Length</b> 78.5" (199.3 cm)
<b>WARRANTY</b>	One-year limited warranty. Refer to the Operator's Manual for further details.

BULLSEYE FIELDCOMBO 770 ACCESSORIES*	
<b>DRAWBAR HITCH KIT</b>	Allows operation with a Workman MDX utility vehicle or equivalent, model 46421
<b>MAGNET KIT</b>	Mounts directly behind spring the tines to help remove metal debris, model 46422

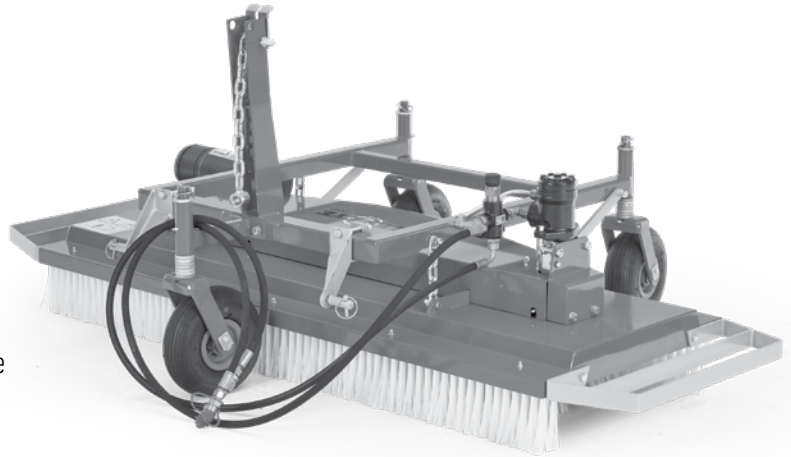
\*Specifications and design subject to change without notice. Products depicted in this literature are for demonstration purposes only. Actual products offered for sale may vary in design, required attachments and safety features. Consult your local Toro Distributor.





## FieldFill™ 660

The Bullseye FieldFill 660 is designed to quickly work even the heaviest amounts of infill materials into the field surface. It can also be used to lightly decompact existing infill material and rejuvenate and groom an older synthetic turf sports field. The 660 is equipped with five hydraulically-powered and adjustable speed rotating brushes which loosen, decompact, and incorporate infill. The two straight brushes serve to smooth the infill and groom the surface for great results in a single pass. Based on operating speed and working width, this machine is highly-productive – helping to get your job completed quickly.



BULLSEYE FIELDFILL 660, MODEL 46423*	
<b>WORKING WIDTH</b>	66" (167.6 cm)
<b>TRACTOR REQUIREMENT</b>	10 hp (7.45 Kw) and 441 lbs. (200 kg) lift capacity minimum, category 1, 3-point hitch required
<b>HYDRAULIC CONNECTION</b>	One set of ports with continuous flow
<b>MAXIMUM CAPACITY</b>	145,200 square feet per hour (13360 square meters per hour)
<b>WEIGHT</b>	375 lbs. (170 kg)
<b>DIMENSIONS</b>	<b>Width</b> 81.5" (205.4 cm) <b>Height</b> 33.5" (84.4 cm) <b>Length</b> 51.5" (130.8 cm)
<b>WARRANTY</b>	One-year limited warranty. Refer to the Operator's Manual for further details.

\*Specifications and design subject to change without notice. Products depicted in this literature are for demonstration purposes only. Actual products offered for sale may vary in design, required attachments and safety features. Consult your local Toro Distributor.

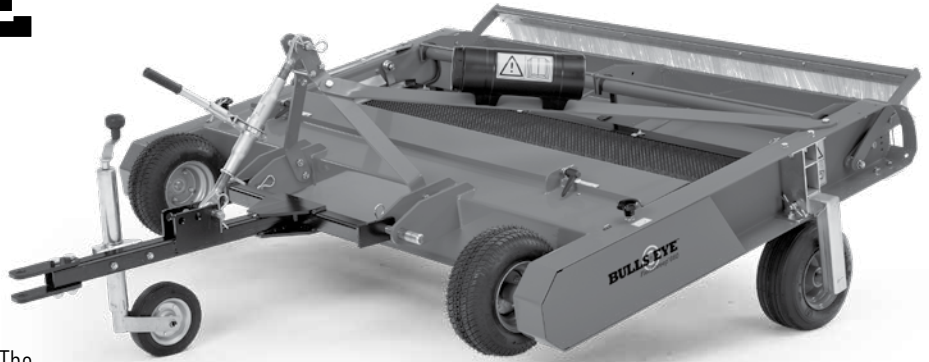




## FieldSweep™ 660

The Bullseye FieldSweep 660 is a ground-driven surface debris removal and grooming tool designed primarily for synthetic turf fields. The counter rotating paddle style brushes on the FieldSweep 660 lift surface debris and infill material to be separated on the shaking sieve. The infill is returned to the surface and brushed in while the unwanted debris continues

across the sieve to the easily removable collection bins on the rear of the unit. The tine section aids in decompaction while the rear brush grooms the field surface to leave a clean, smooth and aesthetically pleasing finish. Optional accessories allow customization for different types of infill material and any tow vehicle.



BULLSEYE FIELDSWEEP 660, MODEL 46412*	
<b>WORKING WIDTH</b>	65.7" (167 cm)
<b>WORKING DEPTH</b>	Up to 0.4" (10 mm)
<b>OPERATING SPEED</b>	Up to 7.5 mph (12 km/h) depending on field conditions
<b>MAXIMUM CAPACITY</b>	216,810 sq. ft. (20,040 sq. meters) at maximum operating speed
<b>TRACTOR REQUIREMENTS</b>	550 lb. (250 kg) lift capacity, with 3-point category 1 hitch
<b>UTILITY VEHICLE REQUIREMENTS</b>	Minimum towing capacity 485 lbs. (220 kg), drawbar hitch and wheel kit required, model 46413
<b>DEBRIS BIN CAPACITY</b>	2X @ 1,220 cu. in. (2X @ 20 liters)
<b>STANDARD SIEVE SIZE</b>	0.196" x 0.196" (5 x 5 mm)
<b>WEIGHT</b>	485 lbs. (220 kg)
<b>DIMENSIONS</b>	<b>Width</b> 75.4" (191.5 cm) <b>Height</b> 29.5" (74.9 cm) <b>Length</b> 68.3" (173.4 cm)
<b>WARRANTY</b>	One-year limited warranty. Refer to the Operator's Manual for further details.

BULLSEYE FIELDSWEEP 660 ACCESSORIES*	
<b>DRAWBAR HITCH &amp; WHEEL KIT</b>	Allowing the ability to tow with utility vehicles, model 46413
<b>MAGNET KIT</b>	Able to remove magnetic objects while cleaning surface debris, model 46414
<b>0.126" SIEVE</b>	0.126" x 0.126" (3.2 x 3.2 mm) sieve, part #144-7757
<b>0.157" SIEVE</b>	0.157" x 0.157" (4 x 4 mm) sieve, part # 144-7758
<b>0.236" SIEVE</b>	0.236" x 0.236" (6 x 6 mm) sieve, part # 144-7760

\*Specifications and design subject to change without notice. Products depicted in this literature are for demonstration purposes only. Actual products offered for sale may vary in design, required attachments and safety features. Consult your local Toro Distributor.





## FieldMagnet™ 600

The Bullseye FieldMagnet 600 is a heavy-duty magnetic sweeper that is designed with a robust inner-steel structure, providing durability and attaining the highest power available from this type of tow-behind magnet. The FieldMagnet 600 is manufactured using high-grade, ceramic-8A magnet material for long-lasting, superior performance. Features include heavy-duty grooved tires, permanently lubricated wheel bearings, a 48" (122 cm) tow-bar, and quick-clean trays. Our exclusive magnetic circuitry has exceptional magnetic power, and an extremely durable aluminum housing, providing years of use.



BULLSEYE FIELDMAGNET 600, MODEL 46411*	
<b>WORKING WIDTH</b>	60" (152.4 cm)
<b>WEIGHT</b>	111 lbs. (50.3 kg)
<b>DIMENSIONS</b>	<b>Width</b> 66" (167.6 cm) <b>Height</b> 10" (25.4 cm) <b>Length</b> 60.5" (153.6 cm)
<b>WARRANTY</b>	One-year limited warranty. Refer to the Operator's Manual for further details.

\*Specifications and design subject to change without notice. Products depicted in this literature are for demonstration purposes only. Actual products offered for sale may vary in design, required attachments and safety features. Consult your local Toro Distributor.

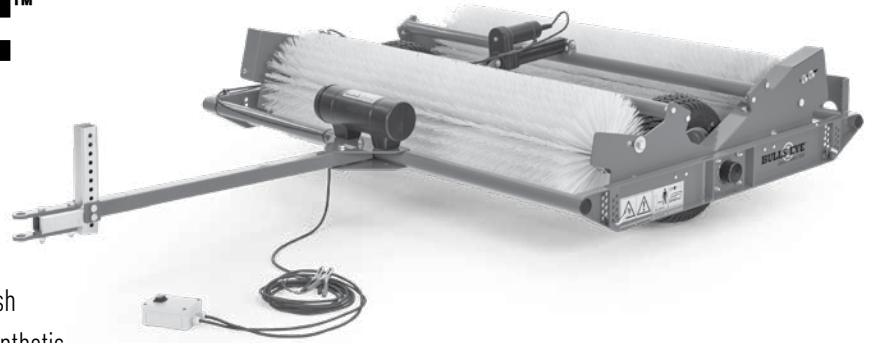






## QuickGroom™ 550

The Bullseye QuickGroom 550 is a towable grooming machine designed to work on both natural and synthetic turf. Its two round counter-rotating brushes effectively brush topdressing into aeration holes or redistribute infill on a synthetic turf field. The QuickGroom 550 will also restore fibers in synthetic fields that have become compacted over time, and is an excellent tool for standing up matted turf on a golf green to help provide a more consistent cut – resulting in a superior putting surface. This simple device can be towed by any utility vehicle, has quick and easy adjustments, and has its drive components protected inside the durable frame.



BULLSEYE QUICKGROOM 550, MODEL 46400*	
<b>WORKING WIDTH</b>	55" (139.7 cm)
<b>VEHICLE REQUIREMENT</b>	10 HP (7.4 kW) with a 12-volt electrical connection
<b>WEIGHT</b>	400 lbs. (181.4 kg)
<b>DIMENSIONS</b>	<b>Width</b> 70" (177.8 cm) <b>Height</b> 20" (50.8 cm) <b>Length</b> 108" (274.3 cm)
<b>WARRANTY</b>	One-year limited warranty. Refer to the Operator's Manual for further details.

\*Specifications and design subject to change without notice. Products depicted in this literature are for demonstration purposes only. Actual products offered for sale may vary in design, required attachments and safety features. Consult your local Toro Distributor.





## QuickGroom™ 700

For brushing and striping of natural and synthetic turf, nothing beats the proven Bullseye QuickGroom 700. The highly-effective triangular arrangement of the brushes will redistribute topdressing material side to side while standing up and grooming each grass blade or turf fiber for an attractive and realistic finish to both natural and synthetic turf. Long-wearing poly-bristles quickly and efficiently brush surface infill or topdressing to an even and level finish.

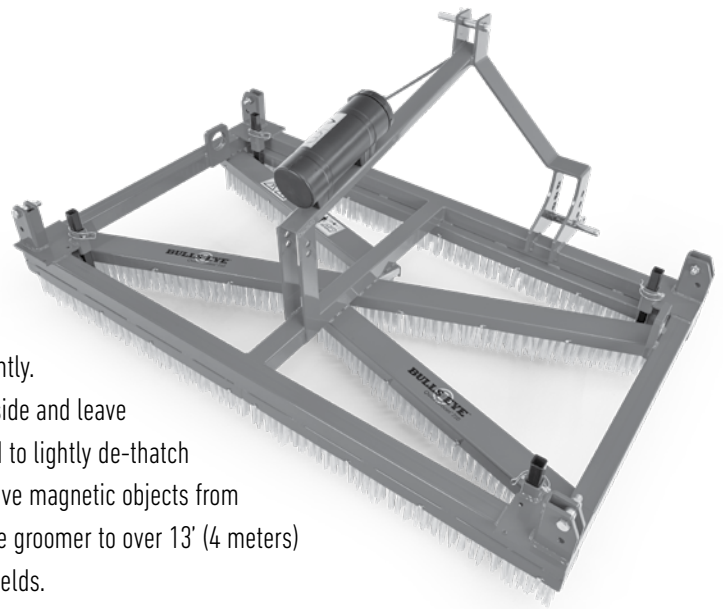


BULLSEYE QUICKGROOM 700 STANDARD, MODEL 46402AA / SOFT, MODEL 46402BA*	
<b>WORKING WIDTH</b>	70" (176.4 cm)
<b>RECOMMENDED TOW VEHICLE</b>	10 hp (7.5 kW) minimum
<b>WEIGHT</b>	110 lbs. (50 kg)
<b>DIMENSIONS</b>	<b>Width</b> 72" (181.4 cm) <b>Length</b> 60.5" (152.5 cm) <b>Height</b> 8" (20 cm)
<b>WARRANTY</b>	One-year limited warranty. Refer to the Operator's Manual for further details.

BULLSEYE QUICKGROOM 700 ACCESSORIES	
<b>TRANSPORT WHEELS</b>	Top mount wheel set, model 46403

\*Specifications and design subject to change without notice. Products depicted in this literature are for demonstration purposes only. Actual products offered for sale may vary in design, required attachments and safety features. Consult your local Toro Distributor.





## QuickGroom™ 710

The Bullseye QuickGroom 710 is designed to groom, and evenly incorporate topdressing and infill materials on natural or synthetic turf quickly and efficiently. The combination of angled and straight brushes both move materials side to side and leave a smooth, finished surface. Optional adjustable depth spring tines can be used to lightly de-thatch natural grass or de-compact synthetic turf and the optional magnet help remove magnetic objects from your playing surface. Manually folding side wings can be added, converting the groomer to over 13' (4 meters) wide, increasing productivity for large turf areas such as fairways or football fields.

BULLSEYE QUICKGROOM 710 STANDARD, MODEL 46405AA / SOFT, MODEL 46405BA*	
<b>WORKING WIDTH</b>	71" (180.3 cm) standard   158" (400 cm) with optional side wings
<b>TRACTOR REQUIRED</b>	18 HP (13.4 kW), minimum lift capacity 440 lbs. (200 kg) standard   25 HP (18.6 kW) minimum lift capacity 990 lbs. (450 kg) with optional side wings
<b>WEIGHT</b>	331 lbs. (150 kg) standard   551 lbs. (250 kg) with optional side wings
<b>DIMENSIONS</b>	<b>Width</b> 71" (180.3 cm) <b>Height</b> 33" (83.8 cm) <b>Length</b> 45" (114.3 cm) standard <b>Width</b> 83" (210.8 cm) <b>Height</b> 52" (132 cm) <b>Length</b> 45" (114.3 cm) with optional side wings folded
<b>WARRANTY</b>	One-year limited warranty. Refer to the Operator's Manual for further details.

BULLSEYE QUICKGROOM 710 ACCESSORIES*	
<b>DRAWBAR HITCH &amp; WHEEL KIT</b>	Allows for additional tow vehicle options (not compatible with side wings kit), model 46407
<b>WINGS ATTACHMENTS (2)</b>	Standard or soft brushes, order quantity (2) required, model 46406AA
<b>MAGNET KIT</b>	Fits 71" (180.3 cm) standard width, model 46408
<b>SPRING TINE KIT</b>	Fits 71" (180.3 cm) standard width, model 46409

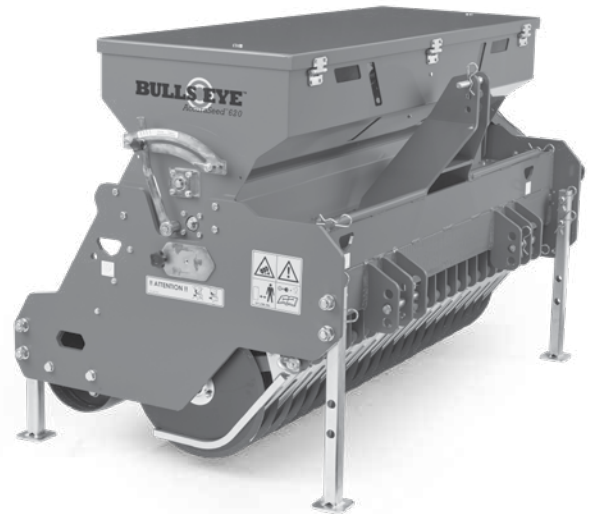
\*Specifications and design subject to change without notice. Products depicted in this literature are for demonstration purposes only. Actual products offered for sale may vary in design, required attachments and safety features. Consult your local Toro Distributor.





## AccuraSeed™ 620

The AccuraSeed 620 plants grass seed directly into the ground, providing outstanding seed-to-soil contact and unmatched germination. The simple, yet effective twin discs open a slit for seed placement allowing for multiple passes without disrupting dormant or winter damaged surfaces. The large capacity hopper with windows to monitor seed level allows for less frequent refills, resulting in greater productivity. A proven seed size adjustment and metering design allows the machine to provide an infinite range of seeding rates with all seed types, from very large to the very smallest of seed varieties.



BULLSEYE ACCURASEED 620, MODEL 46430*	
WORKING WIDTH	62" (157.4 cm)
SEED DELIVERY RATE	Infinitely adjustable based on seed size and desired rate
SEEDING DEPTH	Adjustable to maximum 0.8" (2 cm)
SPACING	2.95" (75 mm)
HOPPER CAPACITY	9.7 cubic feet (276 liters)
WORKING SPEED	Up to 7.5 mph (12 km/h)
DISC PAIRS QUANTITY	21
TRACTOR REQUIRED	45 hp (33.5 kW), minimum lift capacity 2,866 lbs. (1300 kg)
3-POINT CONNECTION	Category 2
WEIGHT	2,596 lbs. (1178 kg)
DIMENSIONS	<b>Width</b> 74" (187.9 cm) <b>Height</b> 57" (144.7 cm) <b>Length</b> 39" (99 cm)
WARRANTY	One-year limited warranty. Refer to the Operator's Manual for further details.

BULLSEYE ACCURASEED 620 ACCESSORIES*	
DRAWBAR HITCH & WHEEL KIT	Requires hydraulics and 1,400 lb (636 kg) tongue weight capacity, model 46431
WEIGHT KIT	Single 44 lb. (20 kg) weight, holds up to 18, model 46432

\*Specifications and design subject to change without notice. Products depicted in this literature are for demonstration purposes only. Actual products offered for sale may vary in design, required attachments and safety features. Consult your local Toro Distributor.





## RapidSeed™ 430/590

The Bullseye RapidSeed 430 and 590 are ideal for sports fields and golf courses where economy and random seed dispersement is important. Both RapidSeed overseeding machines offer the same accurate means to produce thousands of holes, deliver the seed and brush in, all with a single machine. Available in two widths, there is a unit for tighter, more undulating areas or larger areas. The spikes are conical-shaped, so more seed actually drops into the holes. The seeds drop when the side wheel turns, so there is no spillage of seed when the machine is not in operation. An optional replacement rear spiked roller can be added to double the number of holes per pass. The optional hydraulic lift wheel kit allows the seeder to be towed behind even a Workman® HDX and provides improved ground-following ability.



	BULLSEYE RAPIDSEED 430, MODEL 46435*	BULLSEYE RAPIDSEED 590, MODEL 46440*
<b>WORKING WIDTH</b>	43" (109.2 cm)	59" (149.8 cm)
<b>NUMBER OF HOLES WITH ONE SPIKED ROLLER</b>	87 per square foot (990 per square meter)	
<b>EFFECTIVE DIMPLE SPACING</b>	1.2" (3.04 cm)	
<b>HOPPER CAPACITY</b>	6 cubic feet (168 liters)	8 cubic feet (225 liters)
<b>SEEDING RATE</b>	Fully adjustable for any type of seed	
<b>TRACTOR REQUIRED</b>	20 hp (14.9 kW) with 992 lbs. (450 kg) lift capacity	30 hp (22.4 kW) with 1,213 lbs. (550 kg) lift capacity
<b>WORKING SPEED</b>	Up to 7.5 mph (12 km/h)	Up to 7.5 mph (12 km/h)
<b>WEIGHT</b>	836 lbs. (379.2 kg)	1,030 lbs. (467.2 kg)
<b>DIMENSIONS</b>	<b>Width</b> 60" (152.4 cm) <b>Height</b> 40" (101.6 cm) <b>Length</b> 35" (88.9 cm)	<b>Width</b> 76" (193 cm) <b>Height</b> 40" (101.6 cm) <b>Length</b> 35" (88.9 cm)
<b>WARRANTY</b>	One-year limited warranty. Refer to the Operator's Manual for further details.	

	BULLSEYE RAPID SEED 430 – ACCESSORIES*	BULLSEYE RAPID SEED 590 – ACCESSORIES*
<b>DRAWBAR HITCH &amp; WHEEL KIT</b>	Requires hydraulics and 450 lb. (204.1 kg) tongue weight capacity, model 46436	Requires hydraulics and 550 lb. (249.4 kg) tongue weight capacity, model 46441
<b>WEIGHT KIT</b>	Single 44 lb. (19.9 kg) weight. Holds up to 6, model 46432	Single 44 lb. (19.9 kg) weight. Holds up to 12, model 46432
<b>SPIKED REAR ROLLER KIT</b>	Increases number of holes per square foot; 174 lbs. (78.9 kg), model 46437	Increases number of holes per square foot; 231 lbs. (104.7 kg), model 46442

\*Specifications and design subject to change without notice. Products depicted in this literature are for demonstration purposes only. Actual products offered for sale may vary in design, required attachments and safety features. Consult your local Toro Distributor.





## RotaQuake™ 630

The Bullseye RotaQuake 630 is an aerator that decompacts the soil using a set of rotating steel blades. As these blades cut cleanly through the soil, they create a wave action that shatters compacted areas and opens up the subsoil. The RotaQuake can work at depths up to 10" (25.4 cm) with minimal to no surface disruption to keep your turf ready for play. The rear roller smooths surface behind rotating blades and the integrated legs make unhooking and storage easy.



BULLSEYE ROTAQUAKE 630, MODEL 46454*	
<b>WORKING WIDTH</b>	63" (160 cm)
<b>WORKING DEPTH</b>	Adjustable depth, up to 10" (25.4 cm)
<b>OPERATION SPEED</b>	0.3 - 1.0 mph (.048 - 1.6 km/h)
<b>TRACTOR REQUIRED</b>	35 hp (26 kW), lift capacity 1,654 lbs. (750 kg)
<b>PTO SPEED</b>	540 rpm
<b>3-POINT CONNECTION</b>	Category 1 and 2
<b>CAPACITY</b>	Up to 27,720 square feet per hour (2,560 square meters per hour)
<b>NUMBER OF BLADES</b>	18
<b>BLADE THICKNESS</b>	0.5" (12.7 mm), tapered
<b>BLADE SPACING</b>	10" (25.4 cm)
<b>WEIGHT</b>	1,355 lbs (615 kg)
<b>DIMENSIONS</b>	<b>Width</b> 71" (180.3 cm) <b>Height</b> 42" (106.6 cm) <b>Length</b> 59" (149.8 cm)
<b>WARRANTY</b>	One-year limited warranty. Refer to the Operator's Manual for further details.

ACCESSORIES*	
<b>EXTRA BLADES</b>	Set of 18 blades, part #144-7700

\*Specifications and design subject to change without notice. Products depicted in this literature are for demonstration purposes only. Actual products offered for sale may vary in design, required attachments and safety features. Consult your local Toro Distributor.

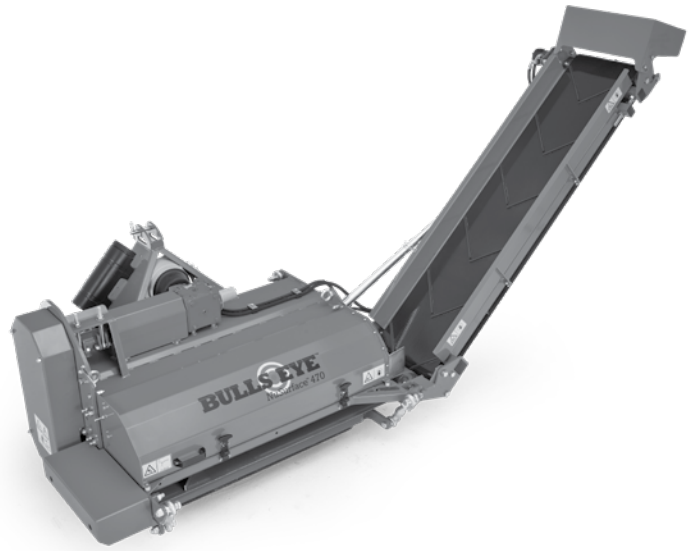






## NuSurface™ 470/790

The Bullseye NuSurface 470 & 790 are used to fraise mow, flail mow, level, de-thatch, and renovate turf areas, as well as harvest sprigs. These products are ideal for use on golf courses and sports fields and are quickly becoming the go-to grass removal tool for fast and efficient resurfacing projects. It's rotary action removes material and transfers it onto a conveyor system for disposal, leaving behind a smooth surface, immediately ready for sod or seeding. These machines are highly productive and can be adjusted in small increments for the desired level of aggressiveness. Rather than swapping out the entire blade mount rotor to change mowing operations, a cost effective optional verti-cut blade set is easily installed to replace the standard fraise/flail mowing blade set.



	BULLSEYE NUSURFACE 470, MODEL 46450*	BULLSEYE NUSURFACE 790, MODEL 46452*
<b>WORKING WIDTH</b>	47" (119 cm)	79" (200 cm)
<b>WORKING DEPTH</b>	Up to 2" (50.8 mm)	
<b>TRACTOR REQUIRED</b>	30-40 hp (22.4-29.8 kW) with minimum 1,709 lb. (775 kg) lift capacity	40-50 hp (29.8-37.3 kW) with minimum 3,640 lbs. (1650 kg) lift capacity
<b>VERTI-CUT BLADE SPACING</b>	0.8, 1.6, 2.4 or 3.2" (20, 40, 60 or 80 mm)	
<b>MAXIMUM WORKING SPEED</b>	1.8 mph (3.0 km/h)	
<b>THREE-POINT CONNECTION</b>	Category 1	Category 2
<b>HYDRAULIC CONNECTION</b>	One, double-acting valve	Two, double-acting valves
<b>PTO RPM</b>	540 RPM	
<b>NUMBER OF BLADES</b>	32	76
<b>STANDARD ITEMS</b>	PTO shaft, fraise/flail mow blade set	
<b>WEIGHT</b>	1,367 lbs. (620 kg)	2,908 lbs. (1319 kg)
<b>DIMENSIONS</b>	<b>Width</b> 73" (185.4 cm) <b>Height</b> 87" (220.9 cm) <b>Length</b> 62" (157.4 cm) With conveyor in transport/storage position.	<b>Width</b> 97" (246.3 cm) <b>Height</b> 45" (114.3 cm) <b>Length</b> 72" (182.8 cm) With conveyor in transport/storage position.
<b>WARRANTY</b>	One-year limited warranty. Refer to the Operator's Manual for further details.	

	BULLSEYE NUSURFACE 470 – ACCESSORIES*	BULLSEYE NUSURFACE 790 – ACCESSORIES*
<b>VERTICUT BLADE SET FOR 20 MM SPACING</b>	All components needed to convert rotor for verticutting at 20 mm blade spacing. Part # 145-7555	All components needed to convert rotor for verticutting at 20 mm blade spacing. Part # 145-7556

\*Specifications and design subject to change without notice. Products depicted in this literature are for demonstration purposes only. Actual products offered for sale may vary in design, required attachments and safety features. Consult your local Toro Distributor.





# Pro Force®

The Pro Force is a self-contained engine-driven Debris Blower operated with a hand-held wireless RF controller. It utilizes a high-efficiency turbine-type fan assembly designed to deliver greater air power to clear turf or pavement of leaves, grass clippings, twigs, pine needles or other undesirable debris.



PRO FORCE DEBRIS BLOWER*	
<b>MODEL</b>	44552 - standard blower 44553 - D.O.T. approved trailer 44554 - tethered controller
<b>ENGINE</b>	24.6 hp (18.3 kW) Kohler® Command Pro™ 725 cc, gas, 2-cylinder, air-cooled, electronically-governed
<b>FUEL CAPACITY</b>	Standard 5 gallon (18.9 liter) tank. Optional 10 gallon (37.8 liter) tank part number 130-4371
<b>FAN DESIGN</b>	High-efficiency, axial flow, turbine-type fan assembly.
<b>CONTROL</b>	Hand held wireless RF controller provides capability to start and stop the engine, adjust engine throttle up and down for high to low RPM range of operation, and rotate nozzle 360 degrees in either direction. Ergonomic, weather resistant. <b>Note:</b> Model 44554 includes tethered controller and is offered in regions where wireless control is not available.
<b>NOZZLE</b>	Single-piece impact-resistant plastic with 13" outlet diameter.
<b>ROTOR DIAMETER</b>	14" (35.5 cm)
<b>FAN ASSEMBLY DIAMETER</b>	14" (35.5 cm)
<b>WEIGHT</b>	475 lbs. (215.4 kg)
<b>LENGTH</b>	Standard 97" (246 cm) from adjustable tow hitch to nozzle outlet. 18" (45.7 cm) adjustable length for length range of 79"-115" (200.6 - 292.1 cm)
<b>WIDTH</b>	48" (122 cm)
<b>HEIGHT</b>	44" (111.7 cm)
<b>TOW-BEHIND TRAILER</b>	Lawn-tractor style hitch (Category 1). Three hole locations to accommodate varying receiver heights.
<b>TIRE SIZE:</b>	20 x 10-8, 4-ply turf tire.
<b>FENDERS</b>	Custom injection molded plastic.
<b>ACCESSORIES</b>	Optional LED light kit model 44559
<b>WARRANTY</b>	Two-year or 1,500 hour limited warranty. See operator's manual for details.

\*Specifications and design subject to change without notice. Products depicted in this literature are for demonstration purposes only. Actual products offered for sale may vary in use, design, required attachments and safety features. See distributor for details on all warranties.





# Pro Force® Attachment – Groundsmaster 3200/3300

The front mounted Pro Force blower for the GM3200/3300 is driven by the traction unit's implement PTO shaft and is conveniently controlled by the operator from the steering column control pod. Pro Force blowers utilize a high-efficiency turbine-type fan assembly designed to deliver superior air flow to clear turf or pavement of leaves, grass, clippings, twigs, pine needles or other undesirable debris.



PRO FORCE DEBRIS BLOWER ATTACHMENT FOR GM3200/3300, MODEL 31916*	
<b>POWER SUPPLY</b>	Traction unit standard drive shaft
<b>FAN DESIGN</b>	High-efficiency, axial flow, turbine-type fan assembly.
<b>CONTROL</b>	PTO Switch on traction unit, Blower Lift on traction unit, Chute Control with rocker switch on Accessory Control POD
<b>NOZZLE</b>	Single-piece impact-resistant plastic with 12.75 inch (32.39 cm) outlet diameter.
<b>ROTOR DIAMETER</b>	14" (35.5 cm)
<b>FAN ASSEMBLY DIAMETER</b>	14" (35.5 cm)
<b>WEIGHT</b>	435 lbs (197.3 kg)
<b>LENGTH</b>	54.5 inches (138.4 cm)
<b>WIDTH</b>	60 inches (152.4 cm) front caster wheel to caster wheel
<b>HEIGHT</b>	48.7 inches (133.7 cm)
<b>GROUND CLEARANCE</b>	9.6 inches (24.38)
<b>TRACTOR MOUNTED</b>	For Groundsmaster 3200/3300 (models 31900, 31901, 31902, 31903)
<b>REQUIRED KITS</b>	Toro Auxiliary Hydraulic Kit 31966 and the Toro Control Kit 31994. For Groundsmaster 3200 models Speed Reduction Kit (144-3587) is required for optimum performance.
<b>WARRANTY</b>	Two-year or 1,500 hour limited warranty. See operator's manual for details.





# Rake-O-Vac®

The Rake-O-Vac's Kohler® 23 hp (17.15 kW) engine insures there is plenty of horsepower to clean debris from the most difficult turf. A spring-loaded flex tip reel provides exceptional sweeping performance especially with those annoying pine needles. The large 4.75 cubic yard (3.63 m<sup>3</sup>) hopper provides plenty of capacity for picking up large areas. Compact and maneuverable, the Toro Rake-O-Vac clears debris from even the tightest areas. The rugged impeller fan pulverizes leaves and debris saving space in the hopper yet the airflow in the hopper minimizes dust by directing it back to the ground keeping your neighbors happy.



RAKE-O-VAC ENGINE DRIVE, MODEL 07055*							
<b>POWER SUPPLY</b>	Kohler® Command Pro® CH682, 23 hp (17.15 kW) @ 3600 rpm, 4 cycle, air-cooled, V-twin cylinders, horizontal crankshaft with a 5.5" (14 cm) dry centrifugal clutch. Compression ratio: 8.5:1. Overhead placement valves; intake, forged high carbon steel, exhaust Stellite® faced. Hydraulic valve lifters. Full pressure 4 pint (2.3 liter) with filter, oil capacity. 12-volt, 15 amp alternator with solid state regulator/rectifier. Solid state electronic ignition system with electronically controlled spark advance. Tri-phase design with screen pre-cleaner, replaceable filter cartridge and dump valve.						
<b>FAN IMPELLER</b>	Centrifugal type housing, double inlet. Four alloy steel blades, 16" (41 cm) wide x 23.25" (59 cm) diameter, .1875" (4.8 mm) thick. High tensile, .5625" (4 cm) stress-proof steel shaft mounted in self-aligning sealed ball bearings. Blower discharge area: 255 in <sup>2</sup> (1645 cm <sup>2</sup> ).						
<b>DRIVE</b>	Banded double. B-80 drive belt direct from drive shaft to fan impeller drive shaft. Fan impeller runs at 1580 rpm [tip speed 9,720 ft./min. (2963 m/min.)] at 3250 engine rpm.						
<b>FAN HOOD</b>	Twin construction for uniform air distribution; 4.5" (11.4 cm) deep x 63" (160 cm) wide. Inlet area: 283 in <sup>2</sup> (1826 cm <sup>2</sup> ). Variable position, front weighted rubber flap.						
<b>REEL/BRUSH DRIVE</b>	Belted-double B-53 drive belt from engine to jack shaft. Banded (4) 3V cross section belt, from jack shaft to flex tip reel. Flex tip reel runs at 275 rpm [tip speed 1,355 ft./min. (413 m/min.)] at 3250 engine rpm.						
<b>MAIN FRAME</b>	All welded, structural, rectangular, 2" x 4" (5 cm x 10 cm) and 4" x 4" (10 cm x 10 cm), 11-gauge, steel tubing.						
<b>WHEELS AND TIRES</b>	High flotation type I-1 rib tread, 11L-14SL, 6 ply rating, tubeless construction mounted on 8" (20 cm) x 14" (36 cm) wheel with six bolt attachment. Inflation pressure 28 psi (1.9 bar).						
<b>HOPPER</b>	4.75 cu. yd. (3.63 m <sup>3</sup> ) volume; 18-gauge top section with 16-gauge bottom section - rib reinforced; full width, self-cleaning, semi-automatic dumping.						
<b>HITCH</b>	Pin type, .75" (1.9 cm) diameter; adjustable vertical height for tractor hitches from 7.25" (18.4 cm) to 17.25" (43.8 cm) height.						
<b>FLEX TIP REEL</b>	Forward sweeping, 6 rows of teeth, all steel construction with replaceable .1875" (4.8 mm) extruded nylon teeth; each row containing 11 individually spring loaded flexible sets, 552 total teeth, 18.75" (48 cm) diameter reel, 61" (155 cm) wide, 1.125" (2.9 cm) diameter shaft set in self aligning sealed bearings. Reel supported by adjustable counterbalance springs and adjustable-gauge wheels. Gauge wheels aluminum construction with non-scuffing rubber tires operating on greaseable ball bearings; infinitely adjustable vertically.						
<b>DIMENSIONS</b>	<table border="1"> <thead> <tr> <th>Width</th> <th>Height</th> <th>Length</th> </tr> </thead> <tbody> <tr> <td>85.5" (217 cm)</td> <td>79.5" (202 cm)</td> <td>13'3" (4.0 m)</td> </tr> </tbody> </table>	Width	Height	Length	85.5" (217 cm)	79.5" (202 cm)	13'3" (4.0 m)
Width	Height	Length					
85.5" (217 cm)	79.5" (202 cm)	13'3" (4.0 m)					
<b>WEIGHT</b>	2,980 lbs. (1,355 kg)						
<b>WARRANTY</b>	Two-year limited warranty. Refer to the Operator's Manual for further details.						

OPTIONAL EQUIPMENT*	
<b>BRUSH</b>	Forward sweeping continuous, polypropylene bristle, floating action provided by spring counterbalance and gauge wheel height adjustment. Model 07162.
	Brush speed: 275 rpm [tip speed 1,370 ft./min. (417 m/min.)] at 3250 engine rpm.

\*Specifications and design subject to change without notice. Products depicted in this literature are for demonstration purposes only. Actual products offered for sale may vary in design, required attachments and safety features. Consult your local Toro Distributor.   
 \*Stellite is a trademark of Stoodly Deloro Stellite, Inc.





# Versa-Vac™

The Toro® Versa-Vac tackles debris management challenges to meet your collection needs.



VERSACONTRACTOR™	
<b>VERSACONTRACTOR™, MODEL 07053*</b>	
<b>POWER SUPPLY</b>	Power source: 35 PTO hp (26 kW) and larger turf tractor with 540 PTO output shaft, double CV drive line, drive ratio to Impeller: .486 : 1, drive ratio to pump input shaft from impeller shaft: .389 : 1.
<b>FAN IMPELLER</b>	32" (81.3 cm) diameter impeller, 8 blades reinforced .25" (6.4 mm) steel, 9.375" (23.8 cm) wide (radial design) welded to a 27" (68.3 cm) diameter base plate.
<b>DRIVE</b>	Belt drive from input shaft to impeller shaft (4-5VX), belt drive from impeller shaft to pump input shaft (2-5VX).
<b>MAIN FRAME</b>	One-piece welded frame of .25" (6.4 cm), 7 and 10-gauge formed steel.
<b>WHEELS AND TIRES</b>	Turf tire, size 24 x 13.00-nhs 4-ply. Stamped and welded steel wheels rated up to 1,800 lbs. (817 kg).
<b>HOPPER</b>	Volume 6.5 cubic yard (5 cu. m), self-cleaning tapered box, dump hopper is operated hydraulically by one control, with self opening and closing door, dump hopper hydraulically lifted with a 3 x 18 hydraulic cylinder, vented roof sections with dust hoods to direct dust away from operator.
<b>DIMENSIONS</b>	Width: 78" (198 cm), Height: 83" (211 cm), Length: 15'5" (4.7 m), Weight: 2,300 lbs. (1,044 kg)
<b>OPTION</b>	20' (6.1 m) handheld hose.
<b>WARRANTY</b>	Two-year limited.
<b>COMBINATION DECK, MODEL 07082*</b>	
<b>FLAIL ROTOR</b>	72 hardened, straight steel flails with adjustable spacing.
<b>FINGER ROTOR</b>	Four rows of 6" (15 cm) long fingers with 22 fingers per row.
<b>OPERATING WIDTH</b>	72" (183 cm)
<b>CASTER WHEELS</b>	Four, adjustable pneumatic caster wheels with full width anti-scalp roller, adjustable in .5" (12.7 mm) increments.
<b>WEIGHT</b>	700 lbs. (318 kg)
<b>RUBBER FINGER DECK, MODEL 07081*</b>	
<b>ROTOR</b>	Four rows of 6" (15 cm) long fingers with 22 finger per row.
<b>OPERATING WIDTH</b>	72" (183 cm)
<b>CASTER WHEELS</b>	Four, adjustable pneumatic caster wheels, adjustable in .5" (12.7 mm) increments.
<b>WEIGHT</b>	280 lbs. (127 kg)

\*Specifications and design subject to change without notice. Products depicted in this literature are for demonstration purposes only. Actual products offered for sale may vary in use, design, required attachments and safety features. See distributor for details on all warranties.





# Pro Sweep®

A productive tow behind turf sweeper that easily collects cores, grass clippings, leaves and other turf debris. Operated with a hand-held wireless RF remote controller.



PRO SWEEP, MODEL 07068*	
<b>POWER REQUIREMENTS</b>	Utility vehicle with 8 gpm (30.3 liters/min.) @ 2000 psi, or tractor with a minimum of 25 hp (18.6 kW). Workman® HD Series vehicles require the high-flow hydraulics kit.
<b>CONTROL</b>	Handheld wireless RF controller provides capability to hydraulically off-set the sweeper from transport to sweep position, raise the sweeper to a turn-around height, and fully raise the sweeper to dump the collected debris.
<b>SWEEPING WIDTH</b>	52" (132 cm)
<b>HOPPER CAPACITY</b>	25 cu. feet (0.708 cu. meters)
<b>COLLECTION SYSTEM</b>	Hydraulic-powered rotary brush.
<b>BRUSH SPEED</b>	Forward sweeping speed 0-4 mph (0-6.4 km/h), infinitely variable (recommended speed 3 mph (4.8 km/h)). Forward transport speed with hopper in transport down position 0-15 mph (0-24 km/h).
<b>ROLLER</b>	6" (15.2 cm) diameter full-width roller directly behind rotary brush. Adjustable height.
<b>HITCH</b>	.75" (1.9 cm) hitch pin with safety linchpin.
<b>HYDRAULIC CONNECTION</b>	8 gpm (30.3 liters/min.) @ 2000 psi max (3600 rpm high idle), dual quick couplers with 2-hose connection, dash-mounted ON/OFF switch.
<b>TRANSPORT POSITION</b>	Tow sweeper directly behind or offset to the side of the vehicle.
<b>SWEEP POSITION</b>	Off-set to the left side of the tow vehicle.
<b>TRACTION</b>	Pivoting sub frame allows for positive tongue weight.
<b>GROUND FOLLOWING</b>	Floating brush housing.
<b>LIFT</b>	Hydraulic powered lift cylinder. High-lift.
<b>TIRES</b>	26.5 x 14-12 (67.3 x 35.6-30.5 cm)
<b>DIMENSIONS</b>	Height: 68" (173 cm), Length: 145" (368 cm), Width: 87" (221 cm), Dump Height Clearance: 68" (173 cm).
<b>WEIGHT</b>	1,512 lbs. (686 kg) empty.
<b>WINDROW KIT</b>	Standard.
<b>OPTIONS</b>	Wheel scrapers
<b>WARRANTY</b>	Two-year limited warranty. Refer to the Operator's Manual for further details.

\*Specifications and design subject to change without notice. Products depicted in this literature are for demonstration purposes only. Actual products offered for sale may vary in use, design, required attachments and safety features. See distributor for details on all warranties.

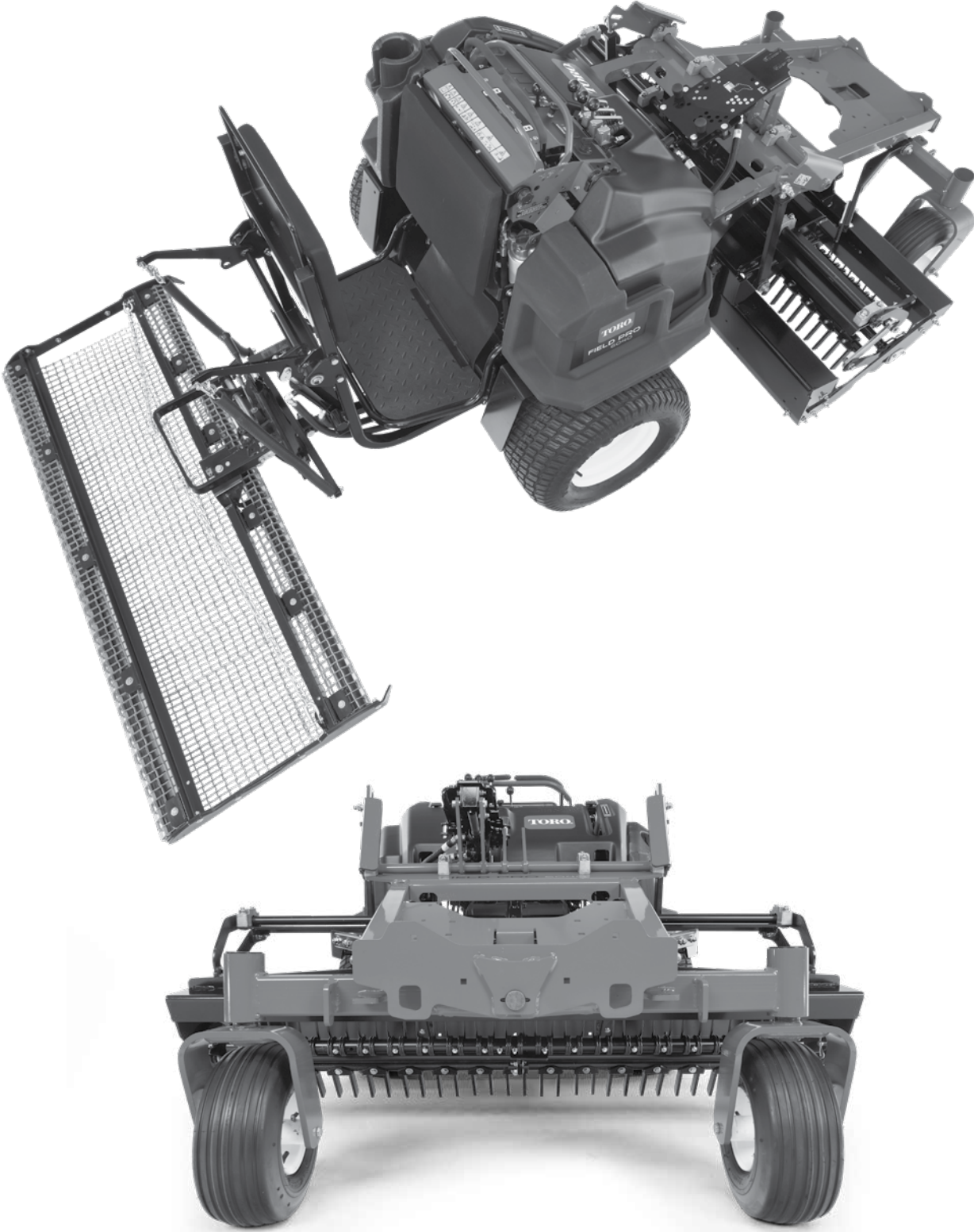






# Field Pro® 6040

Create ballfields that fans and players love with the Toro Field Pro 6040. This workhorse features efficient operation with the innovative MultiTool™, ergonomic operator comfort, and incredible versatility in attachment options. The dedicated platform produces a consistent, superior infield playing surface regardless of starting conditions. Precision engineering means precise results. With the Field Pro 6040, it's game on.



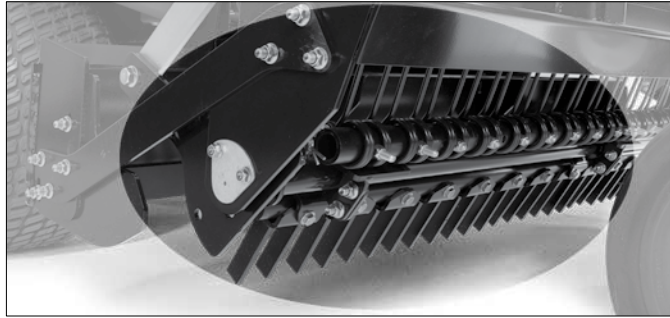


# Field Pro® 6040 Specifications



## MultiTool™

The Field Pro MultiTool is an innovative design that includes an integrated grader and an adjustable tool carrier to quickly and accurately grade, groom and perfect your infields. When fitted with the optional laser grading system the Field Pro 6040 will easily grade your infield for optimal game playing conditions.



## MultiTool Adjustable Carrier

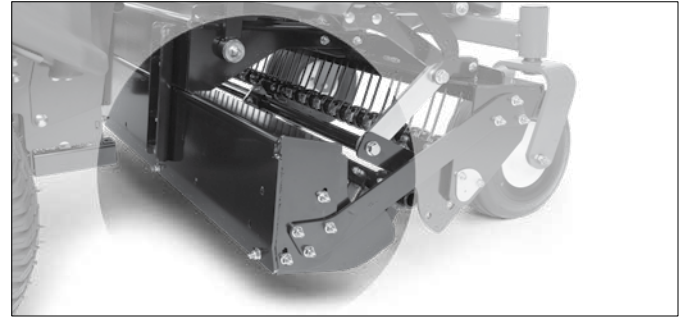
The MultiTool Adjustable Carrier allows for coarse or fine scarifying, allowing operator adjustments from field to field depending on conditions. Hydraulically-controlled depth and angle adjustment provide precise interaction, where needed, for desired results.

## Rear QAS and MultiTool Attachments Available.



## QAS Rear Quick Attach System™

With the rear QAS, anyone can switch from one attachment to another in less than a minute, with no tools required. Match the machine to the environment to get your fields back into playing condition. QAS allows you to do more with less, and get the job done faster.



## MultiTool Box Grader

The integrated MultiTool box grader is nearly 6 feet (182 cm) wide for efficient and accurate grooming. Made from high-strength steel, the grader is built to last for years of dependable service. When fitted with the accessory tool holder, the grader is able to incorporate several additional tools including an Edger, Root Cutter, Field Roller and Planer Blade Kit. Includes an abrasion resistant changeable wear edge.

FIELD PRO 6040, MODEL 08839*	
<b>ENGINE</b>	Kohler® Command PRO® 4-cycle OHV commercial gas engine. 25hp (18.6 kW) at 3600 RPM (SAE J1940). 44.0 cu. in. (725 cc). Oil Capacity: 2.0 quarts (1.9 liter).
<b>AIR CLEANER SYSTEM</b>	Premium air filtration system.
<b>FUEL CAPACITY</b>	8.0 gallon (36.3 liter) unleaded gasoline.
<b>TRACTION DRIVE</b>	Independent commercial grade high-torque wheel motors.
<b>GROUND SPEED</b>	Infinitely variable 0-10 mph (0-16 km/h) forward; 0-5.0 mph (0-8.0 km/h) reverse.
<b>HYDRAULIC OIL</b>	5.0 gallon (18.9 liter) system capacity. Polyethylene reservoir to reduce corrosion. 10 (nominal) micron replaceable cartridge.
<b>MULTITOOL</b>	Model 08854, sold separately – mid-mounted MultiTool includes an integrated 68" (172 cm) box grader and adjustable carrier with spring tines and solid carbide tines.
<b>TIRES/WHEELS</b>	<b>Rear:</b> 24 x12.00-12, <b>Front:</b> 15 x 6.00-6 commercial caster wheels.
<b>CONTROLS/GAUGES</b>	Hand operated choke, throttle, and hydraulic controls for raising/lowering and actuating the MultiTool Adjustable Carrier. Rear hydraulic lift and lower controls. Gauges: fuel, hour meter.
<b>DIMENSIONS</b>	<b>Width:</b> 67.8" (172 cm), <b>Length:</b> 103.8" (264 cm), <b>Height:</b> 50.7" (134 cm), <b>Wheelbase:</b> 59.6" (151 cm)
<b>GROUND CLEARANCE</b>	7.3" (18.4 cm)
<b>WEIGHT</b>	Net weight (less fluids): 1,620 lbs. (735 kg) with MultiTool installed.
<b>WARRANTY</b>	Two-year limited warranty. Refer to the Operator's Manual for further details.



**TORO**

## **Sand Pro® 2040Z**

The Sand Pro 2040Z mechanical rake is unlike anything else in the marketplace; a zero-turn mechanical groomer delivering unmatched maneuverability and productivity. This unique machine is a daily bunker rake that will reduce a golf course's labor costs for both mechanical and hand raking of bunkers. Its flex tooth rake with the "lift in turn" feature enables an operator to turn tightly in bunkers without leaving unraked teardrops or tire marks. As an infield groomer, the Sand Pro 2040Z with its nail drag/flex groomer rear attachment is the perfect solution for daily infield grooming. The nimble Sand Pro 2040Z will save you valuable time in your workday, improving infield surface playability and consistency.



# Sand Pro® 2040Z Specifications

SAND PRO 2040Z, MODEL 08706*																		
<b>ENGINE</b>	Kawasaki 2 cylinder, air cooled, gasoline engine; Gross HP 13.6 HP (10.1 kW), Governed HP 12.2 HP (9.1 kW) @ 2400 rpm; Max torque 27.3 ft-lbs (37.0 Nm) @1800 rpm; Displacement 36.7 cu-in. (603 cc); Oil capacity w/filter 1.7 qts. w/filter (1.5 w/o filter); Oil Filter External, spin-on																	
<b>AIR CLEANER SYSTEM</b>	Heavy duty single stage cyclonic air filter with replacement element																	
<b>FUEL CAPACITY</b>	4.5 gals (17 liters) of unleaded gas (maximum 10% ethanol)																	
<b>TRACTION DRIVE</b>	Belt driven independent infinitely variable unitized transmission, with automatic tensioning system.																	
<b>HYDRAULIC OIL</b>	Factory fill Mobil fluid 424 tractor transmission fluid; Left hand transmission section: 3.1 qt. (3.25 liters); Right hand transmission section: 3.55 qt. (3.75 liters)																	
<b>GROUND SPEED</b>	Forward 0-12 mph (0-19.3 km/h), Reverse 0-4 mph (0-6.4 km/h). See Speed Limiter Kits below for additional information.																	
<b>TIRES/WHEELS</b>	Drive Wheels 25x12- 9, 3 ply rating pneumatic tubeless demountable with a Turf Tamer (knobby) tread. Front Wheel 16x7.5-8 4 ply rating pneumatic tubeless demountable with turf traction tread. Recommended tire pressure: 7 psi all tires																	
<b>MAIN FRAME</b>	Rectangular structured steel tube and high strength steel plate welded construction.																	
<b>BRAKES</b>	Twin levers with dynamic braking through hydrostatic transmission. Hand actuated parking brake lever that controls two integral wet disc brakes contained within transmission.																	
<b>STEERING</b>	Power steering, controlled through two independent control sticks with integrated dampeners. Min. turning radius: 0 in (0 cm)																	
<b>CONTROLS/GAUGES</b>	Ignition: Off/Run/Start; Throttle: Low - High Idle; Choke: Open /Closes choke plate; Parking Brake: Off - On LCD logic cluster includes hour meter and safety interlocks for operator presence, neutral and parking brake.																	
<b>REAR ATTACHMENT HYDRAULIC LIFT</b>	Raise/Lower switch mounted at end of right handle.																	
<b>SEAT</b>	High back cushion vinyl seat with drain hole, integrated armrest and retractable seat belt; adjustment is 4 inches fore and aft.																	
<b>ROPS</b>	Two post fixed ROPS, certified per ISO/DIS 21299.2 specifications																	
<b>STORAGE</b>	Built-in cup holder, rake holder and personal storage reached from seat.																	
<b>ELECTRICAL FEATURES</b>	12-volt system, 20-amp alternator at 3,600 rpm. Battery Voltage is displayed when key switch is moved from off to run (Low Battery LED will illuminate if key voltage is less than 12.3V in run position)																	
<b>SOUND LEVEL</b>	88 dBA (Operator Ear)																	
<b>DIMENSIONS/WEIGHT</b>	<table border="1"> <thead> <tr> <th></th> <th>with Flex Tooth Rake</th> <th>with Nail Drag</th> <th></th> </tr> </thead> <tbody> <tr> <td><b>Length:</b></td> <td>89" (226 cm)</td> <td>84.8" (215 cm)</td> <td rowspan="5"><b>Wheelbase:</b> 58" (147 cm) <b>Tread width (to centerline of tire):</b> 46.9" (119 cm)</td> </tr> <tr> <td><b>Width:</b></td> <td>84" (213 cm)</td> <td>71.5" (182 cm)</td> </tr> <tr> <td><b>Overall Height:</b></td> <td>73" (185 cm)</td> <td>73" (185 cm)</td> </tr> <tr> <td><b>Weight:</b></td> <td>920 lbs. (417 kg)</td> <td>970 lbs. (439 kg)</td> </tr> </tbody> </table>		with Flex Tooth Rake	with Nail Drag		<b>Length:</b>	89" (226 cm)	84.8" (215 cm)	<b>Wheelbase:</b> 58" (147 cm) <b>Tread width (to centerline of tire):</b> 46.9" (119 cm)	<b>Width:</b>	84" (213 cm)	71.5" (182 cm)	<b>Overall Height:</b>	73" (185 cm)	73" (185 cm)	<b>Weight:</b>	920 lbs. (417 kg)	970 lbs. (439 kg)
	with Flex Tooth Rake	with Nail Drag																
<b>Length:</b>	89" (226 cm)	84.8" (215 cm)	<b>Wheelbase:</b> 58" (147 cm) <b>Tread width (to centerline of tire):</b> 46.9" (119 cm)															
<b>Width:</b>	84" (213 cm)	71.5" (182 cm)																
<b>Overall Height:</b>	73" (185 cm)	73" (185 cm)																
<b>Weight:</b>	920 lbs. (417 kg)	970 lbs. (439 kg)																
<b>GROUND CLEARANCE</b>	5.5" (14 cm) at machine centerline 24" (61 cm) tire																	
<b>TIE DOWNS</b>	Four loops, one located on each corner of the machine.																	
<b>WARRANTY</b>	2-year limited warranty. Refer to the Operator's Manual for further details.																	
<b>SAFETY CERTIFICATIONS</b>	Certified to meet ANSI specification B71.4 - 2012 standards when equipped with weight kits supplied with attachments. Certified to meet ISO/DIS 21299 for ROPS. Engine meets all applicable emission standards per the manufacturer. Certified to meet C-Tick 2004/108/EC/EMC and the CE Machinery Directive.																	

REAR ATTACHMENTS *	
(NOTE: Unit must always have a rear attachment installed to meet ANSI and CE specifications)	
<b>FLEX TOOTH RAKE (08716) (GOLF APPLICATIONS)</b>	<ul style="list-style-type: none"> <li>• 84" (213 cm) wide tooth rake with three reversible rubber trowels that will not tear bunker liners</li> <li>• Convex Trowel Design is able to continuously groom a 70" (178 cm) radius surface</li> <li>• Lift-in-turn design allows for continuous grooming during a zero radius turn</li> <li>• Rubber trowel design reduces damage to bunker edges and liners</li> </ul>
<b>OPTIONAL ACCESSORIES FOR TOOTH RAKE</b>	Broom Finishing Kit (three section brush), Model 08719
<b>NAIL DRAG (08717) (INFIELD GROOMING APPLICATIONS)</b>	<ul style="list-style-type: none"> <li>• 66" (168 cm) wide with 88 removable nails arranged in diamond pattern</li> <li>• 3 height position for nails increases material flow and extends nail wear</li> <li>• 71.5" (182 cm) rubber groomer</li> <li>• Back blade allows for moderate or small area leveling of infield surface</li> </ul>
<b>OPTIONAL ACCESSORIES FOR NAIL DRAG</b>	Drag mat finishing kit (08718): (78"W X 18"L 1"square steel mat); includes cradles to store mat during transport. Model 08718
OTHER TRACTION UNIT ACCESSORIES*	
<b>LIGHT KIT</b>	2 LED lights, one in front one mounts to ROPS and points rearward. 3 Position switch, all lights on, front on or off. Model 08721
<b>SPEED LIMITER KIT</b>	Automatically reduces maximum speed of the traction unit when the rear attachment is lowered. Adjustable to maximum speed of 3-7 mph (4.8-11.3 km/h). Model 08720.
<b>TRANSPORT SPEED LIMITER KIT</b>	Reduces speed infinitely from top speed to approximately 7 mph (11 km/h) or top speed of grooming speed. Part 130-7877
<b>SEAT SUSPENSION KIT</b>	Rubber isolators provide cushioning. PN 125-6469
<b>MESH BAG KIT</b>	Storage bag for maintenance tools, trash, debris, etc.; mounts to ROPS. PN 127-0359
<b>TURF TRAC TIRE</b>	Less aggressive tread for rear drive tires. PN 125-6462
<b>BIMINI SUNSHADE</b>	Canvas sunshade that mounts to ROPS. Model 30358
<b>RAKE HOLDER</b>	SP2040Z has a standard rake holder mounted on left hand side, a second optional rake holder can mount to right hand side of SP2040Z. PN 130-7876

\*Specifications and design subject to change without notice. Products depicted in this literature are for demonstration purposes only. Actual products offered for sale may vary in design, required attachments and safety features. Consult your local Toro Distributor.  
2025 Toro Commercial Equipment Guide 25-003-T Rev. 1/25







# Sand Pro® 3040 & 5040

The Quick Attach System™ (QAS) and 25 attachments make the Sand Pro 3040 and 5040 the most versatile vehicles in bunkers and infields.



# Sand Pro® 3040 & 5040 Specifications

	SAND PRO 3040, MODEL 08743*	SAND PRO 5040, MODEL 08745*
<b>ENGINE</b>	Vanguard®, V-twin cylinder, 4-cycle, OHV, air-cooled, gas engine with cast iron sleeves. 16 hp (11.9 kW) at 3600 rpm. Displacement: 29.3 cu. in. (480 cc). Oil capacity: 1.75 quart (1.8 liter). Electronic ignition. Full pressure lubrication, oil filter. Base mounted engine and pump with 4 isolation mounts.	Vanguard®, V-twin cylinder, 4-cycle, OHV, air-cooled, gas engine with cast iron sleeves. 18 hp (13.4 kW) at 3600 rpm. Displacement: 34.8 cu. in. (570 cc). Oil capacity: 1.75 quart (1.8 liter). Electronic ignition. Full pressure lubrication, oil filter. Base mounted engine and pump with 4 isolation mounts.
<b>AIR CLEANER SYSTEM</b>	Remote mounted 3-phase Donaldson® air cleaner.	
<b>FUEL CAPACITY</b>	5.0 gallon (18.9 liter) of unleaded gasoline.	
<b>TRACTION DRIVE</b>	Direct driven hydrostatic variable displacement piston pump to 3 hydraulic motors for 3WD. Large, front mounted hydraulic cooler and fan. Foot pedal control, forward/reverse. Patented Series/Parallel hydraulic traction system keeps three wheels working together, virtually eliminates spin-outs.	
<b>GROUND SPEED</b>	Infinitely variable 0-10 mph (16 km/h) forward; 4.3 mph (6.9 km/h) reverse.	
<b>HYDRAULIC OIL</b>	5.0 gallon (18.9 liter) system capacity. Polyethylene reservoir to reduce corrosion. 10 (nominal) micron replaceable cartridge.	
<b>TIRES/WHEELS</b>	Three 22 x 11.00-8 pneumatic tubeless tires on demountable, interchangeable wheels. Tire pressure: 8-10 psi (55.2-69 kPa).	
<b>MAIN FRAME</b>	Tricycle vehicle with welded rectangular tubular steel frame construction. Rear engine placement.	
<b>BRAKES</b>	Dynamic braking through the hydrostatic transmission and hand actuated brake lever.	
<b>STEERING</b>	Manual front wheel steering. 15" (38 cm) diameter steering wheel. Double lubed for life gearbox.	Hydraulic power steering. 15" (38 cm) diameter steering wheel.
<b>CONTROLS/GAUGES</b>	Hand operated choke, throttle, and hydraulic control for raising/lowering with float. Foot pedal controls traction forward/reverse speed. Rear hydraulic lift and lower controls. Gauges: hour meter.	Hand operated choke, throttle, and hydraulic control for raising/lowering with float. Foot pedal controls traction forward/reverse speed. Front and rear hydraulic lift and lower controls. Gauges: hour meter.
<b>SEAT</b>	High-back cushion seat w/drain hole. 4" front-back adjustment w/additional 1.75" mounting adjustment. (arm rests optional)	
<b>ELECTRICAL FEATURES</b>	12-volt battery, 15 amp., 300 CCA @ 0° F, 12-volt electric starter. Dash mounted ignition switch with key. Neutral interlock switch, seat switch. Also provisions for light kit.	
<b>SOUND LEVEL</b>	83 dB(A) at operator ear, under normal operating conditions.	
<b>DIMENSIONS</b>	<b>Width:</b> 58" (147 cm), <b>Length:</b> 67.5" (171.5 cm), <b>Height:</b> 45.25" (114.9 cm), <b>Wheelbase:</b> 42.75" (108 cm)	
<b>GROUND CLEARANCE</b>	6.0" (15.2 cm)	
<b>WEIGHT</b>	Net weight (less fluids): 930 lbs. (421.8 kg).	
<b>WARRANTY</b>	Two-year limited warranty. Refer to the Operator's Manual for further details. Briggs & Stratton® provides a two-year commercial engine warranty and a lifetime Magnetron® warranty.	

	FRONT ATTACHMENTS*
<b>FRONT LIFT FRAME ASSEMBLY</b>	Front Quick Attach System™ mounting assembly and hydraulic components. Used on Sand Pro 5040 only. Model 08713.
<b>HYDRAULIC FLEX BLADE</b>	Hydraulic QAS flex blade is designed for leveling, packing, and smoothing uneven areas in one pass. Model 08712. Available for SP5040 only (requires Front Lift Frame Assembly – 08712)
<b>MANUAL BLADE</b>	Standard 40" (102 cm) width steel blade. Spring balanced manual blade is used for leveling uneven areas and pushing up bunkers after washouts (cannot be used when 08712 is installed). Model 08714. Blade extension available to increase blade width to 60" (152 cm) for leveling out larger uneven areas. PN 115-5646.

	FRONT & REAR QAS ATTACHMENTS*
<b>BUNKER PUMP</b>	Throws water up to 40' (12 m) and can pump 95 gal/min (360 l/min). Adjustable throw direction and angle. Requires Rear Remote Hydraulics (08781) for rear QAS mount. Requires Front Lift Frame Assembly (08712), Rear Remote Hydraulics (08781) and Front Remote Hydraulics for front QAS mount (on SP5040 only) Model 08765.
<b>BUNKER PUMP REMOTE DISCHARGE KIT</b>	An available 50' (15 m) discharge hose allows the QAS Bunker Pump to be removed and dropped into hard to reach areas. PN 115-2084.
<b>LIP BROOM</b>	Eliminates the task of manually maintaining infield lips. Removes ridge buildup by sweeping material back into the infield. Mounts to front QAS (SP5040) and rear QAS (SP3040 & 5040). Requires Front Lift Frame Assembly– 08712 for front attachment (on SP5040 only) <b>Lip Broom available from Rahn Industries at <a href="http://www.rahngroomer.com">www.rahngroomer.com</a> or 1-800-298-1707.</b>
<b>TURF PLOW</b>	The 64" Turf Plow is a great tool for removing aeration cores from greens, clearing snow from walkways, cart paths and even sports fields. It is lightweight and features a rounded lower lip that is gentle on turf. The Turf Plow fits both Sand Pro 3040 and 5040. <b>Turf Plow is available from Nordic Plow at <a href="http://nordicplow.com">nordicplow.com</a></b>

	MID-MOUNT ATTACHMENTS*
<b>MID-MOUNT ASSEMBLY</b>	Base mounting assembly for mid-mount toolbars with spring-loaded regulation to allow relief if obstruction is hit. Model 08731.
<b>WEEDER TINE TOOLBAR</b>	Ideal for removing weeds and grass from less maintained bunkers and fields (requires Mid-Mount Assembly – 08731). Model 08732.
<b>PROFILE BLADE TOOLBAR</b>	Primarily used for weeding bunkers. Part # 132-4427.
<b>LEVELING BLADE</b>	Attaches to any mid-mount toolbar to quickly level out large areas. Foot operated latch allows operator to lower leveling blade independently from the other mid-mount toolbar. PN 108-8496.
<b>SOLID TINE TOOLBAR</b>	Used for general scarifying applications. Rotate teeth to maximize tine life (requires Mid-Mount Assembly – 08731). Model 08734.
<b>CARBIDE TINE TOOLBAR</b>	Use in the harshest conditions and for extended life –15 carbide tines included (requires Mid-Mount Assembly – 08731). Model 08735.
<b>SPRING TINE TOOLBAR</b>	Use for light to moderate scarifying and daily maintenance in bunkers and on premium fields (requires Mid-Mount Assembly – 08731). Model 08733.
<b>EDGER</b>	Maintains the grass edge of the outfield near the infield skin or warning track. Easily renovate ballfields by removing overgrown turf and infield lip build-up. Significantly reduces labor required for infield edging (requires Rear Remote Hydraulics – 08781). Model 08766.

\*Specifications and design subject to change without notice. Products depicted in this literature are for demonstration purposes only. Actual products offered for sale may vary in use, design, required attachments and safety features. See distributor for details on all warranties.







# Sand Pro® 3040 & 5040 Accessories

REAR QAS ATTACHMENTS*	
<b>TOOTH RAKE</b>	Designed to lightly scarify, pack, smooth and groom in one pass. Use in dry or wet conditions and can improve the condition of neglected sports fields. Model 08751.
<b>WEIGHT KIT FOR TOOTH RAKE</b>	Additional weight for the Tooth Rake attachment to improve performance in coarse or wet conditions. Set of 5 weights. PN 115-4333.
<b>QAS FLEX TOOTH RAKE</b>	85" (216 cm) daily bunker groomer. Flexible rubber material will not tear liners or turf, allowing for edge grooming. Rubber groomers are reversible for longer life. Model 08767.
<b>TOOTH RAKE BROOM</b>	75" (190 cm) Brush – Attaches behind the Tooth Rake (08751) for a smoother finish. Model 08816.
<b>PIVOTING TROWELS KIT</b>	This kit allows independent outside trowels to pivot and rake across the entire turn which eliminates unraked teardrop – Attaches to Tooth Rake (08751). PN 119-7158.
<b>SPRING RAKE</b>	Leaf rake assembly designed to be used alone or in combination with the tooth rake (08751) to achieve desired appearance. Great for wet conditions and collecting debris in groomed areas (if used independently, requires QAS A-Frame Assembly, 108-9427). Model 08752.
<b>DRAG MAT CARRIER SYSTEM</b>	QAS-mounted carrier frame with hydraulic lifter allows operator to raise and lower drag mats without ever leaving the operator seat. 72" (183 cm) width. Model 08756.
<b>COCO DRAG MAT</b>	Quickly produces a premium finish on dry, level surfaces (requires Drag Mat Carrier System - 08756). Model 08758.
<b>STEEL DRAG MAT</b>	Designed to for more rugged surfaces to quickly groom and finish. Use on wet or dry sand surfaces (requires Drag Mat Carrier System - 08756). Model 08757.
<b>AUTOMAT DRAG MAT</b>	78" x 18" (198 cm x 46 cm). Steel drag mat is controlled by and works together with nail drag for single-pass scarification and finish grooming. Drag mat automatically engages the infield as the nail drag is lowered via Rear QAS. Features lock-out position when use is not required. Model 08763. Requires Nail Drag 08761. Compatible with QAS Flex Groomer 08762.
<b>MANUAL DRAG MAT</b>	78" x 36" (198 cm x 91.5 cm). Steel drag mat delivers exceptional finish grooming. Mat easily rolls up and stores on yolks provided. Model: 130-7852. Requires Nail Drag 08761. Compatible with QAS Flex Groomer 08762.
<b>NAIL DRAG</b>	Pivots to follow the contours of uneven field surface. Use to scarify, loosen, or weed before smoothing. Easily adjust nail pattern and depth. Accepts up to a 400 common nail. Model 08761.
<b>QAS FLEX GROOMER</b>	72" (182 cm) flexible groomer mounts to Nail Drag (08761) for single-pass infield scarification and grooming. Features lock-out position to restrict use without tools or removal. Model 08762. Requires Nail Drag 08761.
<b>SEGMENTED GROOMING BROOM</b>	Designed to minimize top surface disruption, to maximize firmness, and provide a smooth finished look in contoured bunkers. Model 08753.
<b>REPLACEMENT SEGMENTED GROOMING BROOM</b>	Replacement grooming broom with stiffer bristles. PN 110-8182.
<b>WEIGHT KIT FOR SEGMENTED GROOMING BROOM</b>	Additional weight for Segmented Grooming Broom to improve performance in coarse or wet conditions. Set of 4 weights. PN 112-0025.
<b>QAS FINISH GRADER</b>	Use to level and/or scarify large areas. Includes box plow and scarifier with spring load regulation to allow relief if obstruction is hit. Model 08754.
<b>RAHN GROOMER</b>	The Rahn GL650 Infield Groomer levels uneven playing fields, helping to prevent ridge build up while creating a more consistent infield. The triple row broom is perfect for finishing the playing surface and can be stored upright for easy transport. The 2-way leveling system provides both a lock and float position to match infield conditions <b>Rahn Groomer available from Rahn Industries at <a href="http://www.rahngroomer.com">www.rahngroomer.com</a> or 800-298-1707.</b>
<b>QAS SPIKER</b>	Use for spiking greens and other formal turf to increase air flow for healthier turf. Model 08755.
<b>BASIC DRAG MAT SYSTEM</b>	Basic Drag Mat System, Model 112-1424 (requires 108-9427 & 110-1375)

\*Specifications and design subject to change without notice. Products depicted in this literature are for demonstration purposes only. Actual products offered for sale may vary in use, design, required attachments and safety features. See distributor for details on all warranties.





# Sand Pro® 3040 & 5040 Accessories

ACCESSORIES*	
<b>QAS A-FRAME ASSEMBLY</b>	Can attach Spring Rake 08752 to be used independently. PN 108-9427.
<b>400-HOUR FILTER MAINTENANCE KIT</b>	Includes 9 engine oil filters, 2 hydraulic oil filters and 2 air filters. Model 30035.
<b>REAR REMOTE HYDRAULICS</b>	Quick-connect design allows rear-powered attachments to be connected in under a minute. Model 08781.
<b>VARIABLE ORIFICE KIT</b>	Slows hydraulic lift and lower for increased precision and accuracy when using hydraulically-powered attachments. PN 112-1433.
<b>LIGHT KIT</b>	Front and rear flood lights improve operator visibility during low natural light operation. PN 110-1314.
<b>SPEED CONTROL KIT</b>	Adjustable speed check trains operators to groom at the desired speed while allowing the traction unit to operate in transport speed between tasks without any adjustments or levers. PN 110-1371.
<b>HITCH/TOW BAR</b>	Converts the traction unit to a utility vehicle to transport materials or trailers. Attaches to QAS A-Frame or 108-9427 for quick removal. PN 110-1375.
<b>FRONT WEIGHT KIT</b>	50 lb. (22.7 kg) – allows the Spiker or Rahn® Groomer attachments without the Front Lift Frame Assembly attached to meet ANSI compliance. PN 100-6442.

OPTIONAL TIRES*	
<b>SMOOTH TIRE</b>	Includes individual tire, wheel and stem valve assembly. Typically used on greens. PN 112-0034.
<b>TURF TIRE</b>	Turf tread tire. PN 94-6126.

\*Specifications and design subject to change without notice. Products depicted in this literature are for demonstration purposes only. Actual products offered for sale may vary in use, design, required attachments and safety features. See distributor for details on all warranties.





# GreensPro® 1260

The Toro GreensPro 1260 riding greens roller is the perfect rolling tool for fine sporting turf such as golf greens, bowling greens and tennis courts. Turf that requires a smooth, high performance surface for optimum playing will benefit from precision greens rolling with the GreensPro 1260.



GREENSPRO 1260, MODEL 44913*	
<b>ENGINE</b>	Honda® GX200 5.5 hp (4.1 kW) @3600 RPM, air-cooled, 4-stroke OHV; mechanically governed.
<b>FUEL</b>	Unleaded gas
<b>TRANSMISSION</b>	Hydrogear PG Pump
<b>DRIVE</b>	Parker hydraulic motor to drive roller
<b>SMOOTHING ROLLS</b>	3.44" (87.5 mm) diameter - 4 split rollers. Overlapping twin steering heads.
<b>TRACTION DRIVE ROLLER</b>	7.24" (183.9 mm) diameter vulcanized rubber coated cylinder, 31.5" (80 cm) long
<b>ROLLING WIDTH</b>	47.2" (120 cm)
<b>GROUND SPEED</b>	Roll: 0-8 mph (0-12.8 km/h) in either direction
<b>CONTROLS</b>	Tilt steering wheel, directional foot pedals, parking brake, engine stop switch, recoil, choke, fuel shut off, light switch, and hourmeter
<b>CONTOUR FOLLOW</b>	Yes
<b>GROUND PRESSURE</b>	3.75 PSI (0.26 Bar)
<b>STEERING</b>	Wheel, adjustable tilt to 40°
<b>SEAT</b>	High-back, adjustable with standard armrests
<b>TRAILER</b>	Integrated with QuickLatch towing system
<b>LIFTING TIRES</b>	16 x 6.50 - 8
<b>LIFTING TIRE PRESSURE</b>	15 PSI (1.03 Bar)
	<b>OVERALL DIMENSIONS (STORAGE)</b>
<b>WIDTH</b>	48" (122 cm)
<b>LENGTH</b>	63" (160 cm)
<b>HEIGHT</b>	68" (173 cm)
<b>WEIGHT</b>	679 lbs. (309 kg)
	<b>OVERALL DIMENSIONS (TOWING)</b>
<b>WIDTH</b>	48" (122 cm)
<b>LENGTH</b>	93" (236 cm)
<b>HEIGHT</b>	47" (119 cm)
<b>WARRANTY</b>	Two-year limited warranty. Refer to operator's manual for further details.

\*Specifications and design subject to change without notice. Products depicted in this literature are for demonstration purposes only. Actual products offered for sale may vary in use, design, required attachments and safety features. See distributor for details on all warranties.



**TORO****eHoverPro®**

The eHoverPro offers the ideal solution to mowing areas where typical wheeled mowers aren't able to go and a high quality after cut appearance is desired.

**NEW**

	eHOVERPRO 450 MODEL 02614T*
<b>TOOL ONLY OR KIT</b>	Tool Only - Battery & Charger sold separately
<b>ENGINE/MOTOR</b>	60V** (2.0 kW) Brushless
<b>DRIVE SYSTEM</b>	Push
<b>STARTER</b>	Push Button
<b>BATTERIES (RECOMMENDED)</b>	L405 (7.5 Ah)
<b>CHARGER (RECOMMENDED)</b>	60V Max** Li-Ion Battery Quick Charger
<b>CUTTING WIDTH</b>	18" (46 cm)
<b>BLADE DESIGN</b>	Steel Blade
<b>DECK MATERIAL</b>	ABS Polymer
<b>HEIGHT OF CUT</b>	0.7 - 1.18 inch (18 - 30 mm)
<b>SLOPE ANGLE</b>	45°
<b>WEIGHT (W/O BATTERY)</b>	35.2 lbs (16.0 kg)
<b>OVERALL HEIGHT</b>	55.5" (1410 mm)
<b>OVERALL WIDTH</b>	22.6" (574 mm)
<b>OVERALL LENGTH</b>	28.1" (716 mm)
<b>WARRANTY</b>	2-Year Limited Warranty
<b>L405 BATTERY (7.5 AH)</b>	88675
<b>L540 BATTERY (10.0 AH)</b>	66810
<b>RAPID CHARGER, 5.4 AMP</b>	88605
<b>12 AMP (6-POD) CHARGER***</b>	66550
<b>HI-RISE KIT</b>	02619
<b>TRANSPORT WHEELS</b>	02622
<b>EXTENSION HANDLES</b>	02630

**eHoverPro Accessories**

**Hi-Rise Kit** – bolts to existing deck to increase height of cut by 1.4" (3.5 cm)



**Transport Wheels** – maneuver your HoverPro with less effort



**Extension Handles** – makes working on slopes even easier

\*Specifications and design subject to change without notice. Products depicted in this literature are for demonstration purposes only. Actual products offered for sale may vary in use, design, required attachments and safety features. See distributor for details on all warranties.

\*\*Battery manufacturer rating = 60 Volt maximum and 54 Volt typical usage actual voltage varies with load

\*\*\*Charge up to 6x batteries using one charger.






# eProStripe™ 560 / ProStripe® 560

The lightweight, superb collection and striping performance capabilities are further enhanced on the lithium-ion battery-powered eProStripe by quiet operation, low vibrations levels, and zero engine exhaust emissions. With two of Toro's 60V\* Flex-Force Power System™ batteries, the electric version is ensured a long run time as well as compatibility across a wide range of hand tools and machinery.

	ePROSTRIPe 560, MODEL 02660T (TOOL ONLY)*	PROSTRIPe 560, MODEL 02657*
CUTTING WIDTH	22" (56cm)	
ROLLER WIDTH	20.5" (52cm)	
REAR ROLLER	Steel, two-piece. Ribbed for superior traction and perfect striping	
POWER	2kW 60V** Brushless DC	Kawasaki® FJ180VKAI OHV 4-cycle, gasoline, 179cc
AIR FILTER	N/A	Dual Element
FUEL TYPE/CAPACITY	Lithium-Ion	Gasoline/0.45 gal (1.7L)
BATTERY SYSTEM	Flex-Force Power System™ All battery types, minimum recommendation 2x 7.5Ah batteries.	N/A
STARTER	Push-Button	Pull Start
DRIVE SYSTEM	MatchDrive™, electric, operates independent to cutter blade	3-Speed Self Propelled
MOWING SPEED	3-speed 1.9, 2.5 or 3.2mph (3.0, 4.0 & 5.2km/h), or Variable speed 1.0 - 3.5mph (1.6 - 5.6km/h)	3-speed 1.9, 2.5, 3.1 mph (3.05, 4.02, 4.98 km/h)
BLADE ENGAGEMENT	Push button, operates independent to transmission	Blade Brake Clutch (BBC)
BLADE SPEED	2,800 rpm (standard), 2,400 rpm (ECO mode)	2,700 rpm
DECK	Die cast corrosion-resistant aluminum	
HEIGHT OF CUT RANGE	0.5" - .236" (13 - 60mm)	
HEIGHT OF CUT INCREMENTS	MatchCut™, 0.5"x .127" (13x 3.25mm) increments	
GRASS BAG CAPACITY	21 gallons (80 liters)	
DRY WEIGHT	119 lbs. (54 kg) w/ optional Groomer Brush (without batteries)	145 lbs (66 kg)
BLADE	1.25" (3.2mm) thick swagged steel blade	
FRONT TIRES	9" (225 mm) smooth shoulder tire	
DIMENSIONS (LxWxH)	69.1" (175.5 cm) x 23" (58.6cm) x 40.9" (103.9cm)	
WARRANTY	Two-Year Limited Warranty (mower). 2-Years (Battery - 7.5Ah or greater & Charger - 5.4A & 6-pod chargers)	Two-year limited warranty. Refer to operator's manual for further details.

ACCESSORIES	
134-3722	Groomer Brush Kit
	
134-9600	High-Lift Blade (eProStripe only)



\*Specifications and design subject to change without notice. Products depicted in this literature are for demonstration purposes only. Actual products offered for sale may vary in use, design, required attachments and safety features. See distributor for details on all warranties.

\*\*Battery manufacturer rating = 60V maximum & 54V typical usage. Actual voltage varies with load.







## Dingo® Compact Utility Loaders

The versatile and maneuverable Dingo Compact Utility Loader allows you to work in places where only manual labor could go before. Exceptional hydraulic power allows you to accomplish a variety of tasks, even in the toughest soil conditions. Choose from an amazing selection of over 35 attachment options.





# Dingo® Compact Utility Loader Specifications

DINGO 323, MODEL 22318*													
<b>ENGINE</b>	Kohler® Command Series 23 hp (gross hp), air-cooled, 11.2 gallon (42.4 liter) fuel capacity, 2 quarts (1.9 liter) oil capacity, heavy-duty, 2-stage, remote air filter.												
<b>HYDRAULIC SYSTEM</b>	10.8 gpm (49 lpm) high-flow hydraulic circuit, 4 gpm (18.2 lpm) low-flow hydraulic circuit.												
<b>ELECTRIC SYSTEM</b>	Electric start. Battery: 12-volt, 380 CCA. (435 CCA diesel). Interlocks: Auxiliary valve neutral to start, traction valve neutral to start.												
<b>TIRES AND RIMS</b>	18 x 8.50-10, 8-ply, SSL-LSW pneumatic tires, 10 x 6.00, 5-bolt, drop center rims.												
<b>STEERING</b>	Zero turning type with two control levers, push for forward, pull back for reverse.												
<b>LOADER ARMS</b>	Two control levers push forward to lower/dump, pull back to raise/curl, auxiliary lever for hydraulic attachments; high flow/low flow selector valve lever; hydraulic flow proportioning valve lever. Radial.												
<b>DIMENSIONS</b>	<table border="1"> <thead> <tr> <th>Wheelbase</th> <th>Ground Clearance</th> <th>Overall Length</th> <th>Overall Width</th> <th>Overall Height</th> <th>Operating Height</th> </tr> </thead> <tbody> <tr> <td>28" (71 cm)</td> <td>5.8" (15 cm) front 5.8" (15 cm) rear</td> <td>62" (157.5 cm) 82.2" (208.8 cm) w/bucket</td> <td>40.5" (103 cm) standard tires 35" (90 cm) narrow tires</td> <td>48.7" (123.7 cm)</td> <td>91.2" (231.6 cm)</td> </tr> </tbody> </table>	Wheelbase	Ground Clearance	Overall Length	Overall Width	Overall Height	Operating Height	28" (71 cm)	5.8" (15 cm) front 5.8" (15 cm) rear	62" (157.5 cm) 82.2" (208.8 cm) w/bucket	40.5" (103 cm) standard tires 35" (90 cm) narrow tires	48.7" (123.7 cm)	91.2" (231.6 cm)
Wheelbase	Ground Clearance	Overall Length	Overall Width	Overall Height	Operating Height								
28" (71 cm)	5.8" (15 cm) front 5.8" (15 cm) rear	62" (157.5 cm) 82.2" (208.8 cm) w/bucket	40.5" (103 cm) standard tires 35" (90 cm) narrow tires	48.7" (123.7 cm)	91.2" (231.6 cm)								
<b>GROUND SPEED</b>	4.5 mph (7.2 km/h) forward/reverse												
<b>HINGE PIN HEIGHT</b>	66" (167.6 cm) std. bucket in highest position.												
<b>DUMP</b>	47" (119 cm) std. bucket height, 34° std. bucket angle.												
<b>REACH</b>	Maximum: 28" (71.1 cm) std. bucket. Fully raised: 26" (66 cm) std. bucket.												
<b>RATED OPERATING CAPACITY</b>	515 lbs. (234 kg) w/200 lb.. (91 kg) operator.												
<b>WEIGHT</b>	1,567 lbs. (711 kg) w/o bucket, 1,713 lbs. (777 kg) w/std. bucket.												
<b>WARRANTY*</b>	Two-year engine warranty, one-year product warranty.												

\*Specifications and design subject to change without notice. Products depicted in this literature are for demonstration purposes only. Actual products offered for sale may vary in use, design, required attachments and safety features. See distributor for details on all warranties.





## Dingo® TXL 2000

**Outstanding reach & lift height** – thanks to the telescoping loader arm technology, operators are able to backfill behind a retaining wall, dump material into the center of a full-size dump truck or dumpster and off-load both rows of a trailer from one side with ease.







# Dingo® TXL 2000 Compact Utility Loader Specifications

	DINGO TXL 2000, MODEL 22530*
ENGINE	49.6 hp (37 kW) Kubota® D1803 Diesel
AIR FILTER	Two-stage, heavy-duty, remote
COOLING SYSTEM	Liquid-Cooled
FUEL TANK	18.3 gallons (69.3 liters)
OIL CAPACITY	7.4 quarts (7 liters)
HYDRAULIC PRESSURE	Auxiliary: 3,000 PSI Traction: 4,350 PSI
HYDRAULIC FLOW	Auxiliary: 21.4 gpm Traction: 21.5 gpm (81.4 lpm) each pump
RESERVOIR CAPACITY	15.25 gallons (57.7 liters)
TRACKS	Sprocket-drive, 6 road wheels per side
TRACTION	Dual hydrostatic pump
TRACK DIMENSIONS	162.2" x 11.8" (413 cm x 30 cm)
WHEELBASE	53.7" (136.4 cm)
GROUND CLEARANCE	6.3" (16 cm)
OVERALL DIMENSIONS (WXLXH) WITH BUCKET	54" x 136.9" x 67.8" (137 x 348 x 172 cm)
OVERALL DIMENSIONS (WXLXH) WITHOUT BUCKET	54" x 98.8" x 67.8" (137 x 251 x 172 cm)
MAXIMUM OPERATING HEIGHT	Telescoping 67.8" (172 cm)
HINGE PIN HEIGHT	123.4" (313 cm)
DUMP HEIGHT	88.9" (226 cm)
DUMP ANGLE	46.3 degrees
REACH - FULLY RAISED	45.2" (114.8 cm)
GROUND SPEED	5.4 mph (8.6 km/h)
WEIGHT	6,655 lbs (3,019 kg)
RATED OPERATING CAPACITY	2,000 lbs (907 kg) retr, 920 lbs (417 kg) ext.
GROUND PRESSURE	5.3 PSI (.365 bars)

\*Specifications and design subject to change without notice. Products depicted in this literature are for demonstration purposes only.





## Dingo® TX Compact Utility Loaders

The original tracked compact utility loader, the TX 427 and TX 525, deliver durability and reliability contractors trust, combined with powerful performance and incredible versatility. Now, the family of Dingo welcomes the The NEW Dingo TX 1000 TURBO. The Dingo TX 1000 TURBO boasts an impressive 1,000 lb. rated operating capacity in addition to the outstanding lift height of 81" to clear the side of 30-yard dumpsters and one-ton trucks.



# Dingo® TX Compact Utility Loader Specifications

DINGO TX 427, MODEL 22321*													
<b>ENGINE</b>	Kohler® Command PRO™ Series CH740, air-cooled. 1 fuel tank: 6 gallon (23 liter), 2 quarts (2.95 liter) oil capacity, two-stage, heavy-duty remote air filter. Standard oil cooler.												
<b>HYDRAULIC SYSTEM</b>	3000 psi system relief pressure, 11.4 gpm auxiliary flow; 6 gpm (22.7 lpm) loader arm, 16.9 gpm (64 lpm) traction (each pump) 10.5 gallon (40 liter) reservoir capacity, 10-micron replaceable hydraulic filter, hydraulic cooler.												
<b>ELECTRIC SYSTEM</b>	Electric start. Battery: 12-volt, 585 CCA. (450 CCA diesel). Interlocks: Auxiliary valve neutral to start, traction valve neutral to start.												
<b>TRACK</b>	<b>Narrow Track:</b> Endless Kevlar™ reinforced rubber 96.6" x 5.9" (245 x 15 cm), single internal tooth drive. <b>Wide Track:</b> Endless Kevlar™ reinforced rubber 96.6" x 9.5" (245 x 24 cm), single internal tooth drive.												
<b>TRACK DRIVE</b>	Sprocket-Drive, 10 road wheels per side, cast-iron track guide.												
<b>STEERING</b>	Single control with reference bar.												
<b>LOADER/HYDRAULIC</b>	Joystick control for all functions, raise/lower, dump/curl and float. Two step motion control for auxiliary hydraulics.												
<b>PARKING BRAKE</b>	Single lever pin in hole system.												
<b>INDICATORS</b>	Audio and visual warning for hydraulic system.												
<b>DIMENSIONS</b>	<table border="1"> <thead> <tr> <th>Wheelbase</th> <th>Ground Clearance</th> <th>Overall Length</th> <th>Overall Width</th> <th>Overall Height</th> <th>Operating Height</th> </tr> </thead> <tbody> <tr> <td>31.2" (79 cm)</td> <td>4.6" (11.7 cm)</td> <td>92" (233.7 cm) with bucket 70.7" (180 cm) w/o bucket</td> <td>33.7" (85.6 cm) narrow track 41" (104 cm) wide track</td> <td>46.1" (117.1 cm)</td> <td>90.1" (229 cm)</td> </tr> </tbody> </table>	Wheelbase	Ground Clearance	Overall Length	Overall Width	Overall Height	Operating Height	31.2" (79 cm)	4.6" (11.7 cm)	92" (233.7 cm) with bucket 70.7" (180 cm) w/o bucket	33.7" (85.6 cm) narrow track 41" (104 cm) wide track	46.1" (117.1 cm)	90.1" (229 cm)
Wheelbase	Ground Clearance	Overall Length	Overall Width	Overall Height	Operating Height								
31.2" (79 cm)	4.6" (11.7 cm)	92" (233.7 cm) with bucket 70.7" (180 cm) w/o bucket	33.7" (85.6 cm) narrow track 41" (104 cm) wide track	46.1" (117.1 cm)	90.1" (229 cm)								
<b>GROUND SPEED</b>	0-4.5 mph (0 - 7.2 km/h) forward, 0-2 mph (0 - 3.2 km/h) reverse.												
<b>HINGE PIN HEIGHT</b>	65.8" (167.1 cm)												
<b>DUMP</b>	46.1" (117.1 cm) height, 38° angle.												
<b>REACH</b>	21.8" (55.4 cm), fully raised.												
<b>RATED OPERATING CAPACITY</b>	535 lbs. (243 kg)												
<b>WEIGHT</b>	<b>Narrow Track:</b> 1,882 lbs. (854 kg) w/o standard bucket, 1,993 lbs. (904 kg) w/standard bucket. <b>Wide Track:</b> 1,990 lbs. (902 kg) w/o standard bucket, 2,101 lbs. (953 kg) w/standard bucket.												
<b>WARRANTY*</b>	Three-year engine warranty, one-year product warranty.												

DINGO TX 525 & DINGO TX 525 WIDE TRACK, MODELS 22323 & 22324*													
<b>ENGINE</b>	Kubota® D902E3B, 6 gallon (23 liter) tank, 3.84 quarts (3.63 liter) oil capacity, liquid cooled, diesel. Biodiesel-Ready for use up to B-10 (10% biodiesel and 90% petroleum blend).												
<b>HYDRAULIC SYSTEM</b>	3000 psi system relief pressure, 13.8 gpm auxiliary; 6 gm loader arm; 16.9 gpm traction (each pump), 10.5 gallon (40 liter) reservoir capacity.												
<b>ELECTRIC SYSTEM</b>	Electric start. Battery: 12-volt, 585 CCA. (450 CCA diesel). Interlocks: Auxiliary valve neutral to start, traction valve neutral to start.												
<b>TRACK</b>	<b>Narrow Track:</b> Endless Kevlar™ reinforced rubber 96.6" x 5.9" (245 x 15 cm) <b>Wide Track:</b> Endless Kevlar™ reinforced rubber 96.6" x 9.5" (245 x 24 cm)												
<b>TRACK DRIVE</b>	Sprocket-Drive, 10 road wheels per side, cast iron track guide, dual hydrostatic pump.												
<b>STEERING</b>	Single control with reference bar.												
<b>LOADER/HYDRAULIC</b>	Joystick control for all functions, raise/lower, dump/curl and float. Two step motion control for auxiliary hydraulics.												
<b>PARKING BRAKE</b>	Single lever pin in hole system.												
<b>INDICATORS</b>	Audio and visual warning for hydraulic system.												
<b>DIMENSIONS</b>	<table border="1"> <thead> <tr> <th>Wheelbase</th> <th>Ground Clearance</th> <th>Overall Length</th> <th>Overall Width</th> <th>Overall Height</th> <th>Operating Height</th> </tr> </thead> <tbody> <tr> <td>31.2" (79.2 cm)</td> <td>4.6" (11.7 cm)</td> <td>92" (233.7 cm) with bucket 70.7" (180 cm) w/o bucket</td> <td>33.7" (85.6 cm), narrow track 41" (104 cm), wide track</td> <td>46.1" (117.1 cm)</td> <td>90.1" (229 cm)</td> </tr> </tbody> </table>	Wheelbase	Ground Clearance	Overall Length	Overall Width	Overall Height	Operating Height	31.2" (79.2 cm)	4.6" (11.7 cm)	92" (233.7 cm) with bucket 70.7" (180 cm) w/o bucket	33.7" (85.6 cm), narrow track 41" (104 cm), wide track	46.1" (117.1 cm)	90.1" (229 cm)
Wheelbase	Ground Clearance	Overall Length	Overall Width	Overall Height	Operating Height								
31.2" (79.2 cm)	4.6" (11.7 cm)	92" (233.7 cm) with bucket 70.7" (180 cm) w/o bucket	33.7" (85.6 cm), narrow track 41" (104 cm), wide track	46.1" (117.1 cm)	90.1" (229 cm)								
<b>GROUND SPEED</b>	0-4.5 mph (0-7.2 kmh) forward, 0-2 mph (0 - 3.2 km/h) reverse.												
<b>HINGE PIN HEIGHT</b>	65.8" (167.1 cm).												
<b>DUMP</b>	46.1" (117.1 cm) height, 38° angle.												
<b>REACH</b>	21.8" (55.4 cm) fully raised.												
<b>RATED OPERATING CAPACITY</b>	553 lbs. (251 kg).												
<b>WEIGHT</b>	<b>Narrow Track:</b> 1,904 lbs. (864 kg) w/o standard bucket, 2,015 lbs. (914 kg) w/standard bucket. <b>Wide Track:</b> 2,013 lbs. (913 kg) w/o standard bucket, 2,124 lbs. (963 kg) w/standard bucket.												
<b>WARRANTY*</b>	Two-year engine warranty, one-year product warranty.												

\*Specifications and design subject to change without notice. Products depicted in this literature are for demonstration purposes only.

Actual products offered for sale may vary in use, design, required attachments and safety features. See distributor for details on all warranties.





# Dingo® TX Compact Utility Loader Specifications

	DINGO TX 700 NARROW TRACK, MODEL 22351*	DINGO TX 700 WIDE TRACK, MODEL 22352*
<b>ENGINE</b>	24.7 HP (18 kW) @ 3,000 rpm Yanmar® 3TNV80F	
<b>AIR FILTER</b>	Dual Element	
<b>COOLING SYSTEM</b>	Combo downflow radiator and oil cooler	
<b>FUEL TANK</b>	5.5 gallons (20.8 liters)	
<b>OIL CAPACITY</b>	3.6 quarts (3.4 liters)	
<b>HYDRAULIC PRESSURE</b>	3,000 PSI	
<b>RESERVIOR CAPACITY</b>	10 gallons (37.9 liters)	
<b>TRACKS</b>	Camso B-Tread	Camso Turf Friendly
<b>TRACTION</b>	Dual hydrostatic pump	
<b>TRACK DIMENSIONS</b>	5.4" x 126.6" (13.7 cm x 321.6 cm)	9.1" x 126.6" (23.1 cm x 312.6 cm)
<b>WHEELBASE</b>	39" (99 cm)	
<b>GROUND CLEARANCE</b>	5.25" (13.3 cm)	
<b>OVERALL DIMENSIONS (WxLxH) WITH BUCKET</b>	34.2" x 102.8" x 55.3" (86.9 x 261.1 x 140.5 cm)	41.4" x 102.8" x 55.3" (105.2 x 261.1 x 140.5 cm)
<b>OVERALL DIMENSIONS (WxLxH) WITHOUT BUCKET</b>	34.2" x 82" x 55.3" (86.9 x 208.3 x 140.5 cm)	40.2" x 82" x 55.3" (102.1 x 208.3 x 140.5 cm)
<b>MAXIMUM OPERATING HEIGHT</b>	97" (246.4 cm)	
<b>HINGE PIN HEIGHT</b>	73.5" (186.7 cm)	
<b>DUMP HEIGHT</b>	52.9" (134.4 cm)	
<b>DUMP ANGLE</b>	42-degrees	
<b>REACH - FULLY RAISED</b>	31" (78.7 cm)	
<b>GROUND SPEED</b>	4.0 mph (6.4 km/h)	
<b>WEIGHT</b>	2,756 lbs (1250 kg)	2,862 lbs (1298 kg)
<b>RATED OPERATING CAPACITY</b>	700 lbs (317.5 kg)	708 lbs (321.1 kg)
<b>GROUND PRESSURE</b>	13 PSI	8 PSI



\*Specifications and design subject to change without notice. Products depicted in this literature are for demonstration purposes only. Actual products offered for sale may vary in use, design, required attachments and safety features. See distributor for details on all warranties.  
2025 Toro Commercial Equipment Guide 25-003-T Rev. 1/25



# Dingo® Compact Utility Loader Specifications

DINGO TX 1000 & DINGO TX 1000 WIDE TRACK, MODELS 22327 & 22328*													
<b>ENGINE</b>	Kubota® D1305 Diesel, 11.5 gallon (44 liter) tank, 6.0 quarts (5.7) liter oil capacity, liquid cooled, diesel. Biodiesel-Ready for use up to B-10 (10% biodiesel and 90% petroleum blend).												
<b>HYDRAULIC SYSTEM</b>	3000 psi system relief pressure, 15.2 gpm auxiliary; 13.3 gm loader arm; 13.3 gpm traction (each pump), 10 gallon (45.5 liter) reservoir capacity.												
<b>ELECTRIC SYSTEM</b>	Electric start. Battery: 12-volt, 585 CCA. (450 CCA diesel). Interlocks: Auxiliary valve neutral to start, traction valve neutral to start.												
<b>TRACK</b>	<b>Narrow Track:</b> Endless Kevlar™ reinforced rubber 127.6" x 5.9" (324 x 15 cm), single internal tooth drive. <b>Wide Track:</b> Endless Kevlar™ reinforced rubber 127.6" x 9.5" (324 x 24 cm), single internal tooth drive.												
<b>TRACK DRIVE</b>	Sprocket-Drive, 6 road wheels per side, cast iron track guide, dual hydrostatic pump.												
<b>STEERING</b>	Single control with joystick.												
<b>LOADER/HYDRAULIC</b>	Joystick control for all functions, raise/lower, dump/curl and float. Two step motion control for auxiliary hydraulics.												
<b>PARKING BRAKE</b>	Single lever pin in hole system.												
<b>INDICATORS</b>	Audio and visual warning for hydraulic system.												
<b>DIMENSIONS</b>	<table border="1"> <thead> <tr> <th>Wheelbase</th> <th>Ground Clearance</th> <th>Overall Length</th> <th>Overall Width</th> <th>Overall Height</th> <th>Operating Height</th> </tr> </thead> <tbody> <tr> <td>41" (104 cm)</td> <td>6.0" (15 cm)</td> <td>100.7" (256 cm) with bucket 81.7" (208 cm) w/o bucket</td> <td>33.7" (86 cm), narrow track 41" (104 cm), wide track</td> <td>53.2" (135 cm)</td> <td>105" (267 cm)</td> </tr> </tbody> </table>	Wheelbase	Ground Clearance	Overall Length	Overall Width	Overall Height	Operating Height	41" (104 cm)	6.0" (15 cm)	100.7" (256 cm) with bucket 81.7" (208 cm) w/o bucket	33.7" (86 cm), narrow track 41" (104 cm), wide track	53.2" (135 cm)	105" (267 cm)
Wheelbase	Ground Clearance	Overall Length	Overall Width	Overall Height	Operating Height								
41" (104 cm)	6.0" (15 cm)	100.7" (256 cm) with bucket 81.7" (208 cm) w/o bucket	33.7" (86 cm), narrow track 41" (104 cm), wide track	53.2" (135 cm)	105" (267 cm)								
<b>GROUND SPEED</b>	<b>Model 22327:</b> 1-3.8 mph (1.6 - 6.1 km/h) forward and reverse. <b>Model 22328:</b> 4.7 mph (7.6 km/h).												
<b>HINGE PIN HEIGHT</b>	81" (206 cm).												
<b>DUMP</b>	61" (155 cm) height, 40° angle.												
<b>REACH</b>	24.5" (62 cm) fully raised.												
<b>RATED OPERATING CAPACITY</b>	<b>Narrow Track:</b> 1,000 lbs. (454 kg). <b>Wide Track:</b> 1,075 lbs. (488 kg).												
<b>WEIGHT</b>	<b>Narrow Track:</b> 2,785 lbs. (1263 kg) <b>Wide Track:</b> 2,790 lbs. (1266 kg)												
<b>GROUND PRESSURE</b>	<b>Narrow Track:</b> 5.6 PSI (.386 bars) <b>Wide Track:</b> 3.6 PSI (.248 bars)												
<b>WARRANTY*</b>	Two-year engine warranty, one-year product warranty.												



\*Specifications and design subject to change without notice. Products depicted in this literature are for demonstration purposes only. Actual products offered for sale may vary in use, design, required attachments and safety features. See distributor for details on all warranties.





# Dingo® Compact Utility Loader Specifications

	DINGO TX 1000 TURBO, MODEL 22587*	DINGO TX 1000 TURBO WIDE TRACK, MODEL 22588*
<b>ENGINE</b>	24.7 HP** (18.4 kW*) Yanmar® 3TNV80FT Turbo Diesel Tier 4 & EU Stage 5 compliant	
<b>AIR FILTER</b>	Remote: Primary and Safety Elements	
<b>COOLING SYSTEM</b>	Combo downflow radiator and oil cooler	
<b>FUEL TANK</b>	10.25 gallons (38.8 liters)	
<b>OIL CAPACITY</b>	3.8 quarts (3.6 liters)	
<b>HYDRAULIC PRESSURE</b>	3,000 PSI	
<b>HYDRAULIC FLOW</b>	Traction: 12.3 gpm (each pump) Auxiliary: High Flow 13.2 gpm, Low Flow 4.9 gpm	
<b>CAPACITY</b>	System 11.5 gallons (43.5 liters) Reservoir 8.6 gallons (32.5 liters)	
<b>TRACKS</b>	MERT track with "B" style tread	MERT track with Turf Friendly style tread
<b>TRACTION</b>	Dual hydrostatic pump	
<b>TRACK DIMENSIONS</b>	126.6 x 5.9" (321.6 cm x 15.0 cm)	126.6" x 9.1" (321.6 cm x 23.1 cm)
<b>WHEELBASE</b>	39" (99.1 cm)	
<b>GROUND CLEARANCE</b>	5.9" (15.0 cm)	
<b>OVERALL DIMENSIONS (WxLxH) WITH BUCKET</b>	42.2" x 104.0" x 54.6" (107.2 x 264.2 x 138.7 cm)	42.2" x 104.0" x 54.5" (107.2 x 264.2 x 138.4 cm)
<b>OVERALL DIMENSIONS (WxLxH) WITHOUT BUCKET</b>	34.6" x 83.0" x 54.6" (87.9 x 210.8 x 138.7 cm)	39.9" x 83.0" x 54.5" (101.3 x 210.8 x 138.4 cm)
<b>MAXIMUM OPERATING HEIGHT</b>	106.2" (269.7 cm)	
<b>HINGE PIN HEIGHT</b>	81" (205.7 cm)	
<b>DUMP HEIGHT</b>	60.3" (153.2 cm)	
<b>DUMP ANGLE</b>	40-degrees	
<b>REACH - FULLY RAISED</b>	23.3" (59.2 cm)	
<b>GROUND SPEED</b>	4.1 mph (6.6 km/h)	
<b>WEIGHT</b>	2,826 lbs (1,282 kg)	2,911 lbs (1,320 kg)
<b>RATED OPERATING CAPACITY***</b>	1,000 lbs (453.5 kg)	
<b>GROUND PRESSURE</b>	6.1 PSI	4.1 PSI



\*Specifications and design subject to change without notice. Products depicted in this literature are for demonstration purposes only. Actual products offered for sale may vary in use, design, required attachments and safety features. See distributor for details on all warranties.

\*\*As rated by the engine manufacturer. Starting January 1, 2025 the specifications on this engine will change to 23.2hp and 17.3kW

\*\*\*Per ISO 14397-1



	DINGO TX 1300, MODEL 22370*
ENGINE	37 HP (27 kW) Yanmar® diesel
AIR FILTER	Remote dual element
COOLING SYSTEM	Combo downflow radiator and oil cooler, independent fuel cooler
FUEL TANK	11 gallons (42 liters)
OIL CAPACITY	5 quarts (4.7 liters)
HYDRAULIC PRESSURE	3,200 PSI (22,063 kPa)
HYDRAULIC FLOW	<b>Traction:</b> 13.4 gpm (each pump) <b>Auxiliary:</b> 14.3 gpm
RESERVIOR CAPACITY	9.2 gallons (34.8 liters)
TRACKS	MERT track with "TF" style tread
TRACTION	Dual hydrostatic pump
TRACK DIMENSIONS	126.6" x 9.1" (321.5 cm x 23.1 cm)
WHEELBASE	39" (99.0 cm)
GROUND CLEARANCE	5.9" (14.9 cm)
OVERALL DIMENSIONS (WxLxH) WITH BUCKET	46" x 103.1" x 56.5" (116.8 x 261.8 x 143.5 cm)
OVERALL DIMENSIONS (WxLxH) WITHOUT BUCKET	46" x 84.9" x 56.5" (116.8 x 215.6 x 143.5 cm)
MAXIMUM OPERATING HEIGHT	133" (337.8 cm)
HINGE PIN HEIGHT	109.2" (277.3 cm) - <b>extended</b> 89.4" (227.0 cm) - <b>retracted</b>
DUMP HEIGHT	90.7" (230.3 cm) - <b>extended</b> 70.9" (180.0 cm) - <b>retracted</b>
DUMP ANGLE	38-degrees
REACH - FULLY RAISED	26.7" (67.8 cm)
GROUND SPEED	4.7 mph (7.6 km/h)
WEIGHT	3,858 lbs (1,749.9 kg)
RATED OPERATING CAPACITY	618 lbs (280.3 kg) - <b>extended</b> 1,300 lbs (589.6 kg) - <b>retracted</b>
GROUND PRESSURE	5.5 PSI



\*Specifications and design subject to change without notice. Products depicted in this literature are for demonstration purposes only. Actual products offered for sale may vary in use, design, required attachments and safety features. See distributor for details on all warranties.





DINGO ATTACHMENTS*	
<b>HIGH TORQUE AUGER POWER HEAD</b>	High torque for digging large holes from 6"-30" (15.2 - 76.2 cm) in diameter in difficult conditions.
<b>UNIVERSAL SWIVEL AUGER POWER HEAD</b>	High speed auger drive head creates plumb holes on various slopes from 6-18" (15.2 - 45.7 cm) in diameter.
<b>BACKHOE</b>	Prepare job site by digging, loading, trenching, back filling or doing demolition. Digs up to 82" (208 cm) deep.
<b>SOIL CULTIVATOR</b>	Designed for seed and flower bed preparation. Cultivates and levels soil. Blends landscape materials, compost, and fertilizer.
<b>NARROW BUCKET</b>	Creates incredible digging power in narrow spaces. Equipped with a high carbon cutting edge for superior wear.
<b>STANDARD BUCKET</b>	Use this standard bucket for moving rock, dirt, sand or other materials from the job site. 4.3 cu ft (0.121 cu m) capacity. 9.0 cu ft (0.255 cu m) option available
<b>LIGHT MATERIALS BUCKET</b>	Larger capacity to move light materials such as chipbark, mulch, and loam. 6.4 cu. ft. (0.181 cu m) capacity.
<b>FORKS - ADJUSTABLE</b>	Carry and maneuver posts, irrigation supplies and plant materials.
<b>LEVELER</b>	Easily spreads and grades dirt. Eliminates hand raking. Also carries a multitude of materials around the job site.
<b>TRENCHER</b>	Dig a trench up to 3' (91.4 cm) deep and 4-12" (10.1 - 30.5 cm) wide. Great for creating bed edges.
<b>TRENCH FILLER</b>	Overall width: 62" (157 cm); working width: 48" (122 cm); auger diameter: 14" (35.5 cm); float distance: 6" (15.2 cm); weight: 410 lbs (186 kg).
<b>TILLER</b>	40" (101.6 cm) wide and able to till over 6" (15.2 cm) deep on one pass.
<b>HYDRAULIC BLADE</b>	This 4' (122 cm) wide blade is used for back filling trenches, grading, and pushing snow.
<b>BORE DRIVE HEAD AND ROD &amp; REAMER KIT</b>	Compact and functional, used to bore below sidewalks, driveways, etc. in both confined and open areas. A choice of assorted rod lengths allows for operation in both confined and open areas.
<b>HYDRAULIC BREAKER</b>	Multi-position mounting head lets you break in vertical and horizontal positions.
<b>CEMENT BOWL</b>	Lets you mix cement, haul and pour it directly where you want in one step.
<b>MULTI-PURPOSE TOOL (BOOM AND TOW BAR)</b>	Boom - Excellent for hauling trees. Tow bar - Use this for moving trailers.
<b>STUMP GRINDER</b>	17" (43.1 cm) cutting wheel with 12 carbide-tipped teeth allows you to grind stumps up to 16.5" (42 cm) below grade.
<b>TRAILER</b>	Upfitted with custom racks, tray and stands to accommodate easy access and placement of the Dingo compact utility loader and all of its attachments.
<b>VIBRATORY PLOW</b>	Elliptical vibrating motion pulls irrigation pipe or installs wire through difficult soil conditions. Unique threaded bullet easily and securely connects pipe to puller. Other options available: STD bullet, basket grips x2, link, king pullers x3.
<b>POWER BOX RAKE</b>	Designed for seed preparation. Adjust depth to fill, plane and pulverize soil. Carbide teeth remove rocks and debris, leaving a dimpled surface ideal for moisture retention.

\*Specifications and design subject to change without notice. Products depicted in this literature are for demonstration purposes only. Actual products offered for sale may vary in use, design, required attachments and safety features. See distributor for details on all warranties.







## TRX Trenchers

Toro TRX walk-behind trenchers are now more efficient and powerful than ever. We've improved our lineup with two new models that combine the groundbreaking maneuverability the TRX walk-behind trencher is known for with even better performance and serviceability. New design enhancements make these models easier to operate, thanks to improved hydraulics and streamlined controls. Plus, new **Intelli-Trench**® technology automatically adjusts the hydraulic flow — putting power where you need it so you can maximize productivity. Plus, with significantly fewer parts, the newer models require less maintenance.





# TRX Trencher Specifications

	TRX-16, MODEL 22972*	TRX-250, MODEL 22983*	TRX-300, MODEL 22984*
<b>ENGINE</b>	14.5 hp (10.8 kW) @ 3,600 rpm Kawasaki® FS481V, V-twin	24.5 hp (18.3 kW) @ 3,600 rpm Toro® V-twin	26.5 hp (19.8 kW) @ 3,600 rpm Kohler® ECV749, EFI
<b>COOLING SYSTEM</b>	Air-Cooled		
<b>FUEL TANK</b>	2.1 gallons (7.9 liters)	4.0 gallons (15.1 liters)	
<b>OIL CAPACITY</b>	1.8 quarts (1.7 liters)	2.5 quarts (2.4 liters)	2.0 quarts (1.9 liters)
<b>START METHOD</b>	Recoil start	Electric start	
<b>HOURLY METER</b>	Standard		
<b>TRANSPORT SPEED</b>	2.4 mph (3.9 km/h) / 1.2 mph (2.4 km/h) 211 ft/min (64.3 m/min) / 132 ft/min (40.2 m/min)		2.3 mph (3.7 km/h) / 1.2 mph (2.4 km/h) 202 ft/min (61.6 m/min) / 132 ft/min (40.2 m/min)
<b>HYDRAULIC PRESSURE</b>	2,900 psi	2,670 psi	2,610 psi
<b>HYDRAULIC FLOW</b>	Trencher: 10.0 gpm (38 lpm) Traction (each pump): 9.5 gpm (36 lpm)	Trencher: 13.2 gpm (50.0 lpm) Traction: 16.2 gpm (61.3 lpm) Transport 3.0 gpm (11.4 lpm) Trenching	
<b>HYDRAULIC RESERVOIR CAPACITY</b>	6.3 gallons (23.8 liters)		
<b>HYDRAULIC OIL COOLER</b>	Standard		
<b>HEADSHAFT SPEED</b>	226 rpm with 315 ft/lbs of torque	210 rpm with 498 ft/lbs of torque	
<b>TRACK</b>	5.9" (15 cm) wide – endless nylon reinforced rubber		
<b>TRACK DRIVE</b>	Sprocket-drive, 3 road wheels per side		
<b>TRACTION</b>	Dual hydrostatic pump	Two-section hydraulic pump with two hydraulic motors (one for each track)	
<b>GROUND PRESSURE</b>	24" (61 cm) boom = 4.1 psi 36" (91 cm) boom = 4.3 psi 48" (122 cm) boom = 4.4 psi	24" (61 cm) boom = 4.1 psi 36" (91 cm) boom = 4.4 psi 48" (122 cm) boom = 4.5 psi	
<b>DIMENSIONS**</b>			
<b>OVERALL DIMENSIONS</b>	With 24" Boom Up & Chain (WxLxH): 33.8" x 82.5" x 46" (86 cm x 210 cm x 117 cm)		
<b>WHEEL BASE</b>	23" (58 cm)		
<b>WEIGHT</b>	1,114 lbs (505 kg)	1,104 lbs (501 kg)	1,114 lbs (505 kg)
<b>BOOM OPTIONS</b>			
<b>DEPTHS</b>	24", 36" and 48" (61 cm, 91 cm and 122 cm)		
<b>WIDTHS</b>	4" and 6" (10 cm and 15 cm)		4", 6" and 8*** (10 cm, 15 cm and 20 cm)

\*Products depicted in this literature are for demonstration purposes only. Actual products offered for sale may vary in use, design, required attachments and safety features. We reserve the right to improve our products and make changes in specifications, designs and standard equipment without notice and without incurring obligation. See your dealer for details on all of our warranties.

\*\*8-in chain conversion kit available through parts only.



**TORO®**

## STX-26 & STX-38 Stump Grinders

From pine to oak, the Toro STX stump grinder turns stumps to chips quickly and efficiently. Its patented Toro® Dingo® TX-style control system has two simple levers that are simple to learn, master and use. Combine these easy-to-use controls with tracks and transport speeds exceeding 4 mph, and you get maximum productivity.



## SGR Handle Bar Stump Grinders

Toro's line of handle bar grinders are great for grinding small stumps in areas with tight access. Well-balanced, easy to operate and simple to maintain, these models provide some of the smoothest cutting performance of any handle bar stump grinder on the market.





# STX Stump Grinder / SGR Handle Bar Stump Grinders Specifications

	STX-26 STUMP GRINDER, MODEL 23208*	STX-38 STUMP GRINDER, MODEL 23214*
<b>ENGINE</b>	Kawasaki® FX-730V	Kohler® Command Pro® ECV980 EFI
<b>HYDRAULICS</b>	13.5 gpm (51.1 liters per minute) hydraulic flow to head.	15 gpm (56.8 lpm) max flow to each side
<b>WHEEL</b>	19" (48.3 cm) diameter to tooth; .75" (1.9 cm) thick; 12 teeth.	22.25" (56.5 cm) diameter, 1.0" (2.54 cm) thick, 16 Greenteeth
<b>CUTTER DEPTH</b>	12.5" (31.7 cm) below grade.	18" (45.7 cm)
<b>CUTTER HEIGHT</b>	33" (83.8 cm) above grade.	35" (88.9 cm)
<b>HEAD SWING</b>	47" (119.4 cm) arc.	52" (132 cm) Radius, 60 degree arc
<b>DIMENSIONS</b>	<b>Width:</b> 34" (86.4 cm) <b>Length:</b> 78" (198 cm) <b>Height:</b> 46" (116.8 cm)	<b>Width:</b> 34" (86 cm) <b>Length:</b> 95" (241 cm) <b>Height:</b> 51" (130 cm)
<b>WEIGHT</b>	1,200 lbs. (544.3 kg)	1,750 lbs. (794 kg)

	PORTABLE STUMP GRINDERS	
	SGR-6, MODEL 22600*	SGR-13, MODEL 22615*
<b>ENGINE</b>	Honda® GX200	Honda® GX390
<b>CLUTCH</b>	Centrifugal	Centrifugal
<b>CUTTER DEPTH</b>	6" (15.2 cm) below grade	11" (27.9 cm) below grade
<b>CUTTER HEIGHT</b>	10.4" (26.4 cm) above grade	14" (35.6 cm) above grade
<b>WHEEL</b>	12-tooth Quadrublade™, 9.5" (24.1 cm) diameter to tooth	12-tooth Quadrublade™, 9.5" (24.1 cm) diameter to tooth
<b>BELT</b>	Cogged Belt	Double 3V Belt
<b>DIMENSIONS</b>	<b>Width:</b> 22" (55.9 cm), <b>Length:</b> 50" (127 cm), <b>Height:</b> 42.3" (107.4 cm)	<b>Width:</b> 29.5" (74.9 cm), <b>Length:</b> 76" (193 cm), <b>Height:</b> 42" (106.7 cm)
<b>WEIGHT</b>	103 lbs. (46.7 kg)	240 lbs. (108.9 kg)

\*Specifications and design subject to change without notice. Products depicted in this literature are for demonstration purposes only. Actual products offered for sale may vary in use, design, required attachments and safety features. See distributor for details on all warranties.







## 24" & 30" Stand-On Aerators

Built for the demands of busy landscape contractors, both aerators pack the power of a larger model in a smaller footprint so you can maneuver with ease. Now you can reach areas that could previously only be accessed by a walk-behind unit, saving time on projects both large and small.



	24" STAND-ON AERATOR, MODEL 39514†	30" STAND-ON AERATOR, MODEL 39521†
<b>ENGINE/FUEL CAPACITY</b>	Kohler® CH 440 Engine, Gas/1.85 Gal (7 L) fuel capacity	Kawasaki FS481, V-Twin Engine, Gas/5 Gal (18.9 L) fuel capacity
<b>AERATING WIDTH</b>	24" (60.9 cm)	30" (76.2 cm)
<b>AERATING DEPTH</b>	Up to 5" (12.7 cm)	Up to 5" (12.7 cm)
<b>TINES</b>	36	48
<b>MAXIMUM FORWARD SPEED</b>	Up to 6.8 mph (11.3 km/h) fwd, 2.2 mph (3.5 km/h) rev	Up to 7.5 mph (12.1 km/h) fwd, 2.2 (3.5 km/h) mph rev
<b>COVERAGE RATE PER HOUR</b>	1.5 Acres	2.0 Acres
<b>DIMENSIONS</b>	<b>Width:</b> 35.5" (90.2 cm) <b>Length:</b> 68.62" (174.3 cm) <b>Height:</b> 51.02" (129.6 cm)	<b>Width:</b> 48" (121.9 cm) <b>Length:</b> 65" (165.1 cm) <b>Height:</b> 53" (134.6 cm)
<b>WEIGHT</b>	856 lbs. (388 kg)	1,015 lbs. (460.4 kg)

†CARB compliant model.

\*Specifications and design subject to change without notice. Products depicted in this literature are for demonstration purposes only.

Actual products offered for sale may vary in use, design, required attachments and safety features. See distributor for details on all warranties.

All walk-behind machines comply with ANSI safety standards: B71.4 for commercial turf care equipment or B71.8 for OPE walk-behind ground-engaging equipment.

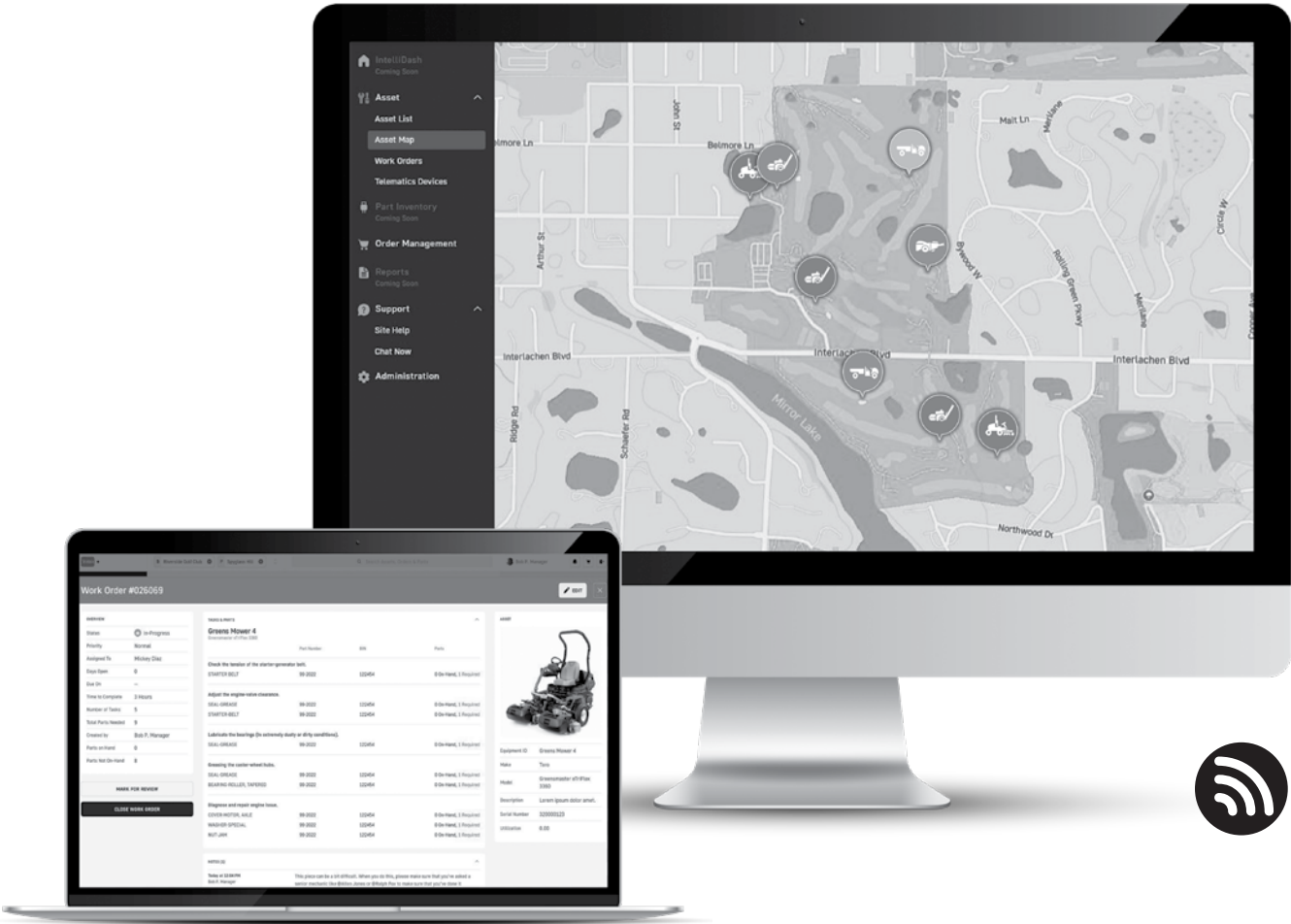






# Intelli360™

**NEW**



## USING THE POWER OF DATA HAS NEVER BEEN EASIER.

From your staff and your fleet to conditions on your course, you have a lot to keep track of. Toro Intelli360 makes it easier to monitor where your equipment is located, the maintenance it needs and how it's being utilized so you can plan proactively. This digital toolbox is accessible from anywhere, on any web-enabled device.

### WITH INTELLI360, YOU CAN:

- Locate and track your equipment
- Minimize downtime
- Schedule efficiently
- Manage inventory
- Plus, many more enhancements are coming soon!

**Learn More: [toro.com/intelli360](http://toro.com/intelli360)**





# myTurf® Pro



**CONNECT.** Capture, combine and access Equipment & Irrigation information on a mobile-enabled, real-time, Web-based platform. Track utilization data through internet-connectivity of Toro or non-Toro equipment.



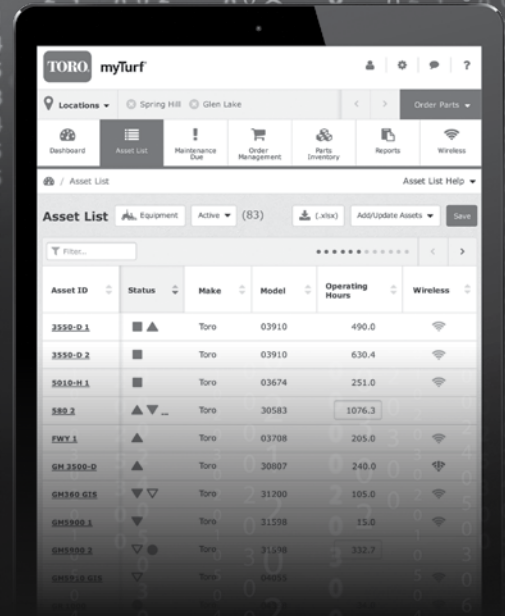
**MANAGE.** Customizable tools deliver interactive alerts, automated/proactive notifications, labor management and expense tracking, and instant access to mission-critical service documentation and operational reports.



**MAINTAIN.** Order parts, schedule service activities and routine maintenance tasks, track inventory, monitor fleet health and labor expenses or generate reports that demonstrate operational excellence, 24/7.



**SIMPLIFY.** There's no other tool like it for Turf Professionals! myTurf Pro was designed to make your difficult job easier. It puts the optimization, efficiency and effectiveness of your operation at your fingertips.



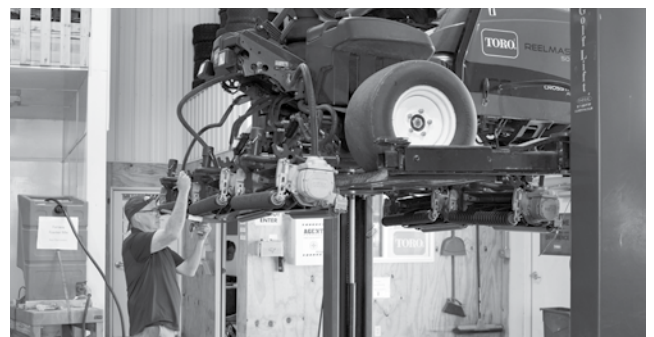
**Learn More: [toro.com/myTurfPro](http://toro.com/myTurfPro)**



## Protection Plus™ Extended Protection Plan

### Run Your Maintenance Budget at Peak Efficiency

Toro equipment is designed and built to deliver years of dependable performance and maximize your staff's productivity. To help protect this investment, Toro offers an industry-leading protection plan so you can confidently run your equipment day-in and day-out. As long as your equipment is still within its standard warranty period, you can choose to extend your protection up to a full 5 years after purchase; covering mechanical breakdowns – with no deductible – and guaranteeing repairs are performed by qualified, experienced Toro technicians using only genuine Toro parts. And, Toro Protection Plus plans are a great value: Given the increasing sophistication of equipment, the cost of unexpected repairs could easily exceed the cost of a plan.



- Equipment still covered under the Toro standard warranty (calendar & hours)
- Up to 3 additional years of coverage
- \$0 deductible

**For more information about Toro Protection Plus:  
Contact your Toro Distributor or visit at [toro.com/tpp](http://toro.com/tpp)**





# Financing

## A Plan Makes All the Difference

Financing is a tool to acquire the right equipment with the right terms to optimize your capital and operating budgets. We have a full array of financing options to accommodate your unique needs. We listen and can help you identify the potential financing benefits that are available. Whether choosing maintenance equipment or irrigation components for a renovation, Toro Financing has a unique plan to meet your exact goals. Your Toro representative has experience and is trained to help you look beyond simply financing one item to the next, to looking at your longer-term equipment and economic needs. It's not a one size fits all plan. Looking at the total picture will help you find the right acquisition solution for your individual needs. Please contact your local Toro distributor for complete details.







## Genuine Parts

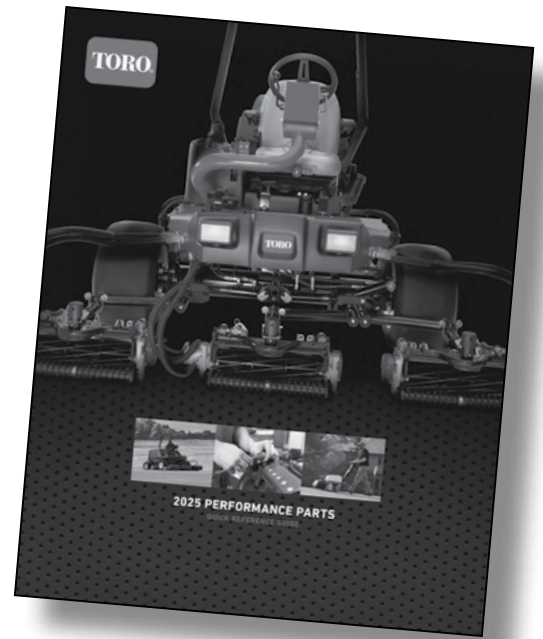


### Keep it Genuine!

Every time you use Genuine Toro Parts, you can be confident that your equipment will perform at its best. You'll always receive the same parts for service that are used on the manufacturing line. We understand you need parts that will work right the first time, every time. That's the Toro commitment to quality.

### Genuine Toro Parts are supported by:

- 24-hour delivery whenever possible
- Complete inventory, 100% coverage
- Knowledgeable, friendly and dedicated customer service



**For more information about Toro Genuine Parts:  
Contact your Toro Distributor or visit at [toro.com/commercialparts](http://toro.com/commercialparts)**



## University

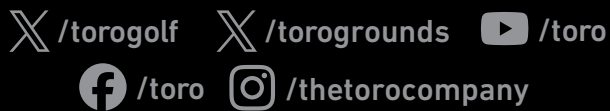
Along with our full complement of products and services is a wide variety of training opportunities. Contact your Toro distributor to learn about Toro Factory Service Schools. Also, browse the training and customer support areas of [Toro.com](http://Toro.com) and [Toronsn.com](http://Toronsn.com) for readily available service education and training materials.





## LEARN MORE

CONTACT US AT: **800-803-8676**  
OR VISIT US AT: **toro.com**



**toro.com**

©2025 The Toro Company, Bloomington, MN 55420. All rights reserved.  
All other trademarks are property of their respective owners.  
Printed in the USA.

Part Number 25-003-T

*Products depicted in this literature are for demonstration purposes only. Actual products offered for sale may vary in use, design, required attachments and safety features. We reserve the right to improve our products and make changes in specifications, design and standard equipment without notice and without incurring obligation. See your distributor for details on all our warranties.*