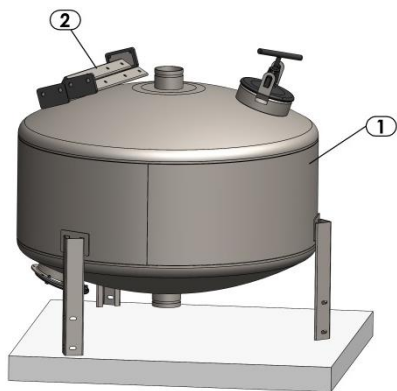
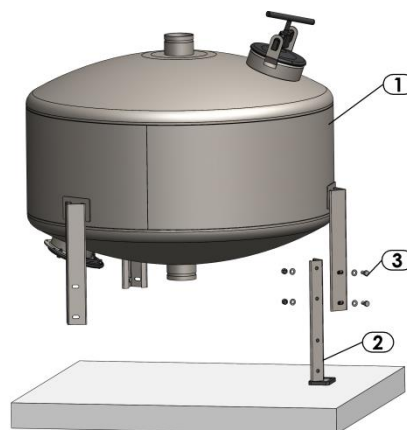


Step 1 – Take the extension legs (2) (including the bolts) from the top of the filter.



Step 2 – Carefully raise the media filter (1). Attach the extension legs (2) to the media filter legs and tighten with the bolts (3).



Step 3 – Assembly is now completed.

