

Applications:

pre-filtration to protect and extend the life of the pump and reduce the levels of water solids.

Standard Characteristics:

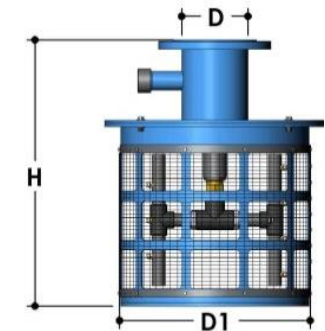
- **Body of strainer and connections:** Carbon Steel ST37.2
- **Pre-treatment:** sand blasting up to Sa 2.5 grade
- **Exterior & Interior coating:** electrostatic oven baked polyester-epoxy powder coating with a thickness of 150-200 micron
- **Connections:** Flange
- **Available filtration degree:** 1200 or 2500 micron
- **Available diameters:** 4" – 20" (other sizes are available on request)
- **Minimum operating working pressure for the flushing:** 1.5 bar (22 psi).
- The basket is equipped with a suction tube and accessories for the connection and operation of the mechanism of the hydraulic motor
- **Available Installation:** horizontal or vertical
- Flexible tube 1" including connectors - 12.5 m de long



Operation:

The PPS is installed submerged in the water source. When pumping starts, water flows through the screen and large suspended trash and solid dirt is accumulated on the outside of the screen preventing it from entering the pump and the water system. The screen is automatically self-cleaned by pressurized water sprayed from the nozzles, continuously rotating and covering the entire area of the screen (the rotation velocity is adjustable).

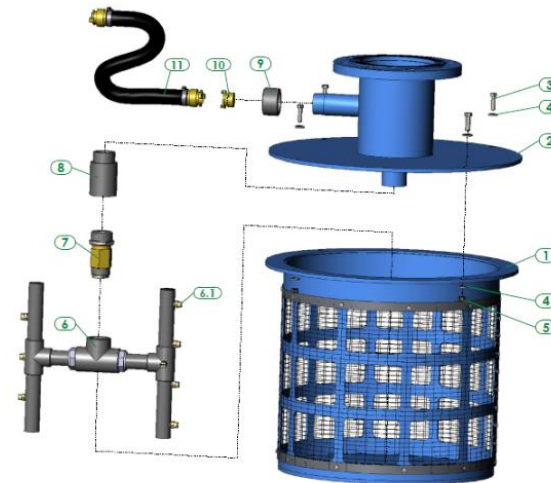
Model	Out D		D1		Recommended Flow rate				H		Shipping Weight		Packaging volume	
	(mm)	(in)	(mm)	(in)	1200 μm	2500 μm	1200	2500 μm	(mm)	(in)	(kg)	(lb)	(m)	(ft)
					μm	μm	(m3/h)	(GPM)						
PPS1004	100	4	478	18.82	80	100	350	440	520	20.47	60	132	0.85*0.85*0.85	2.80x2.80x2.80
PPS1006	150	6	478	18.82	150	190	660	840	670	26.38	75	165	0.85*0.85*0.85	2.80x2.80x2.80
PPS1008	200	8	478	18.82	300	380	1320	1670	870	34.25	80	176	0.85*0.85*1.05	2.80x2.80x3.50
PPS1010	250	10	748	29.45	500	630	2200	2770	790	31.1	128	282	1.00*1.00*0.95	3.30x3.30x3.10
PPS1012	300	12	748	29.45	700	880	3080	3870	970	38.19	141	311	1.00*1.00*1.15	3.30x3.30x3.80
PPS1014	350	14	1055	41.54	1000	1100	4400	4840	1025	40.35	On request	On request	On request	On request
PPS1016	400	16	1055	41.54	1380	1400	6080	6160	1025	40.35	On request	On request	On request	On request
PPS1018	450	18	1270	50	1750	2180	7700	9600	1032	40.63	On request	On request	On request	On request
PPS1020	500	20	1270	50	2200	2750	9690	12100	1032	40.63	On request	On request	On request	On request



* Maximum recommended Flow Rate - 1200 micron in good quality water

Description of components and information for spare parts

Description		Filter model								
Filter		PPS1004	PPS1006	PPS1008	PPS1010	PPS1012	PPS1014	PPS1016	PPS1018	PPS1020
Filter Body		4"	6"	8"	10"	12"	14"	16"	18"	20"
1	Filter Body	N/A	N/A	N/A	N/A	N/A	N/A	N/A	N/A	N/A
2	FILTER COVER	N/A	N/A	N/A	N/A	N/A	N/A	N/A	N/A	N/A
3	BOLT HEX	4102123001-030	4102123001-030	4102123001-030	4102123001-030	4102123001-030	4102123001-030	4102123001-030	4102123001-030	4102123001-030
4	WASHER	4122123001	4122123001	4122123001	4122123001	4122123001	4122123001	4122123001	4122123001	4122123001
5	NUT	4112120401	4112120401	4112120401	4112120401	4112120401	4112120401	4112120401	4112120401	4112120401
6	ROTATING SPRINKLER	E7251047801-01	E7251047802-01	E7251047803-01	E7251074701-01	E7251074702-01	E7251105501-01	E7251105501-01	E7251127001-01	E7251127001-01
6.1	SPRAY NOZZLE	6083900001	6083900001	6083900001	6083900001	6083900001	6083900001	6083900001	6083900001	6083900001
7	ROTATING SPRINKLER BEARING	E7252000401-01	E7252000601-01	E7252000601-01	E7252000601-01	E7252000601-01	E7252000601-01	E7252000601-01	E7252000601-01	E7252000601-01
8	ROTATING SPRINKLER ADAPTER	----	6136301501	6136301502	6136301503	6136301504	6136301505	6136301505	6136301505	6136301505
9	REDUCING SOCKET	----	6096301501	6096301501	6096301501	6096301501	6096301501	6096301501	6096301501	----
10	CLAW COUPLING	4251010001	4252010001	4252010001	4252010001	4252010001	4252010001	4252010001	4252010001	4252010001
11	COMP HOSE	E7253000501-01	E7253001001-01	E7253001001-01	E7253001001-01	E7253001001-01	E7253001001-01	E7253001001-01	E7253001001-01	E7253001001-01



The Toro Company

Ag Business
 1588 N. Marshall Avenue
 El Cajon, CA 92020-1523, USA
 Tel: + 1 (877) 373-0087 or + 1 (619) 596-2495
toro.com/agriculture