

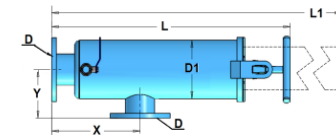
Applications: Control filters with a 90° inlet/outlet.

Standard Characteristics:

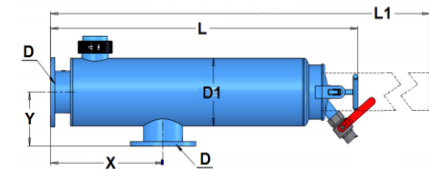
- **Filter element:** - Stainless Steel screen AISI 316, supported by a PVC cylinder
- Available disc elements: 2", 3" & 4"
- **Available filtration grades:** from 80 micron
- **Filter housing construction material:** Carbon Steel ST37.2
- **Pre-treatment:** sand blasting up to Sa 2.5 grade
- **Exterior & Interior coating:** electrostatic oven baked polyester-epoxy powder coating with a thickness of 150-200 micron
- **Connections:** Victaulic, Threaded socket and Flange
- **Maximum pressure:** 145 psi
- **Maximum recommended working pressure:** up to 116 psi

Operation:

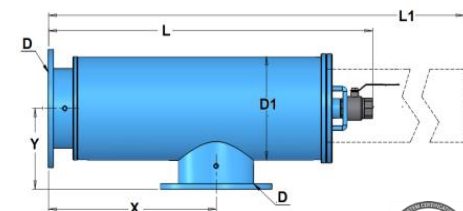
The filters are designed and built in accordance with the principle of water flow through the cylinder screen openings while solid particles are trapped by the screen. These particles can be easily removed by opening the cover and washing the screen manually. The drain valve is used for releasing pressure before opening for maintenance.



Model - F115-F140



Model - F160



Model - F180-F110

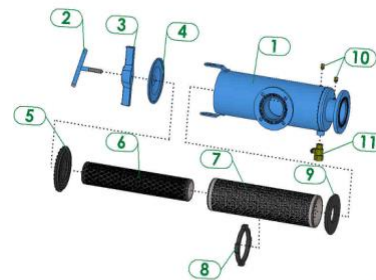
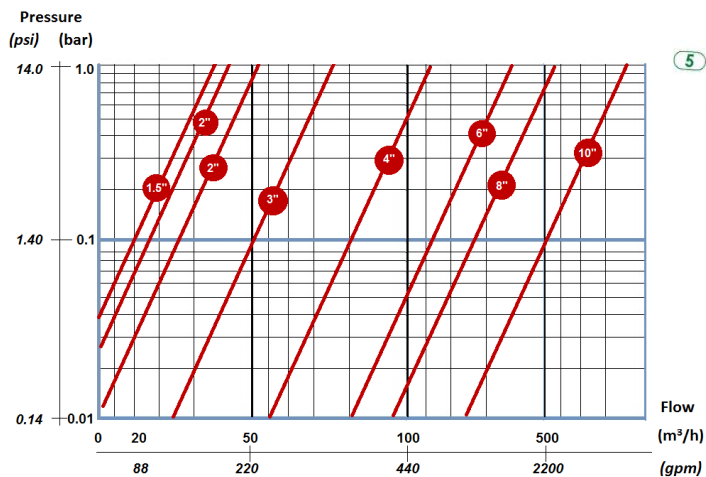
Model	In/Out ØD (in)	ØD1 (in)	X		Y		L		L1		Shipping Weight (kg) (lb)		Packaging Vol. LxWxH (m) (ft)		Maximum Flow Rate (m ³ /h) (GPM)	
			(mm)	(in)	(mm)	(in)	(mm)	(in)	(mm)	(in)	(kg)	(lb)	(m)	(ft)	(m ³ /h)	(GPM)
F115	1.5	4	220	8.7	97	3.8	455	17.9	600	23.6	8.6	19	0.49x0.19x0.19	1.61x0.62x0.62	20	88
F120	2	6	230	9.1	130	5.1	469	18.5	600	23.6	16.1	36	0.52x0.26x0.26	1.71x0.85x0.85	25	110
F122	2	6	255	10.0	130	5.1	719	28.3	1085	42.7	21.8	48	0.76x0.26x0.28	2.50x0.85x0.92	35	154
F130	3	6	270	10.6	140	5.5	729	28.7	1130	44.5	27.7	61	0.76x0.26x0.28	2.50x0.85x0.92	50	220
F140	4	8	325	12.8	190	7.5	855	33.7	1330	52.4	38.0	84	0.93x0.36x0.36	3.05x1.18x1.18	90	396
F160	6	10	480	18.9	217	8.5	1313	51.7	2250	88.6	76.0	168	1.27x0.31x0.42	4.12x1.02x1.38	220	969
F180	8	12	500	19.7	262	10.3	1104	43.5	1785	70.3	99.0	218	1.10x0.46x0.42	3.60x1.51x1.38	360	1585
F110	10	14	610	24.0	278	10.9	1179	46.4	1950	76.8	115.0	254	1.10x0.46x0.42	3.60x1.51x1.38	500	2200



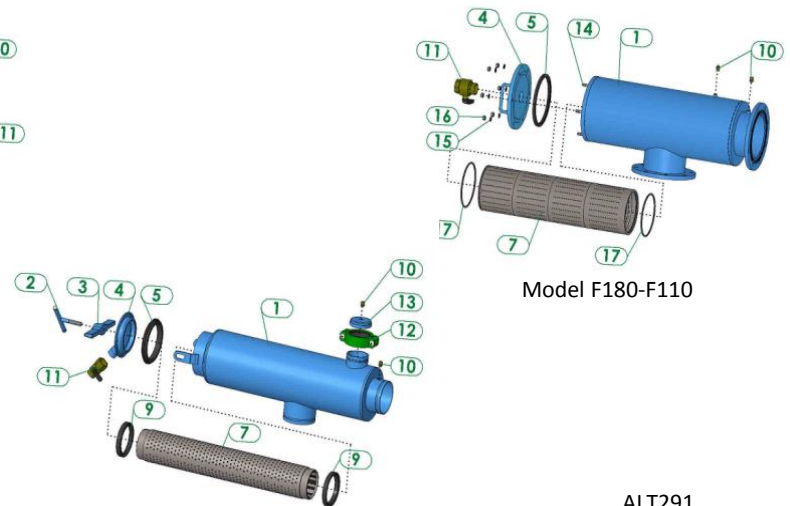
Components Description & Spare Parts ordering information

Description		Model							
FILTER		F115	F120	F122	F130	F140	F160	F180	F110
Filter Body		4"	6"	6"	6"	8"	10"	12"	14"
1	Filter body	N/A	N/A	N/A	N/A	N/A	N/A	N/A	N/A
2	Handle	E6020104000	E6020106000	E6020106000	E6020106000	E6020106000	E6020106000	-----	-----
3	Tightening bracket	6012004000-P	6012006000-P	6012006000-P	6012006000-P	6012108000-P	6012108000-P	-----	-----
4	Cover	5320010400-P	5320010601-P	5320010601-P	5320010601-P	5320010801-P	W5320010801-03P	W5331011004-01P	W5331011401-01P
5	Cover gasket	5312090100-010	5312140100-050	5312140100-050	5312060100-060	5312160100-150	5312160100-135	5311250100	5311400100
6	Int. filter screen	W5001600400-01	W5001600400-01	W5001600401-01	W5002600400-01	W5002600401-01	-----	-----	-----
7	Ext. filter screen	-----	W5003600400-01	W5003600402-01	W5003600402-01	W5004600400-01	E7004600404-01	E7005604007-01	E7006604003-01
8	Centering gasket	-----	-----	-----	-----	5312160100-161	-----	-----	-----
9	Screen gasket	5312090100-020	5312140100-080	5312140100-080	5312140100-100	5312160100-300	5312160100-310	-----	-----
10	Pressure testing port	E5412023901-01	E5412023901-01	E5412023901-01	E5412023901-01	E5412023901-01	E5412023901-01	E5412023901-01	E5412023901-01
11	Ball valve	4504005102-01	4504007102-01	4504007102-01	4504007102-01	4504010102-01	4504015102-01	4504020102-01	4504020102-01
12	Quick Coupling 4"	-----	-----	-----	-----	-----	4150104000-03P	-----	-----
13	Cover 4" vic	-----	-----	-----	-----	-----	5320010402-P	-----	-----
14	Stud	-----	-----	-----	-----	-----	-----	5292143007-048	5292143007-048
15	Washer	-----	-----	-----	-----	-----	-----	4122140301	4122140301
16	Nut	-----	-----	-----	-----	-----	-----	4112140301	4112140301
17	O-ring	-----	-----	-----	-----	-----	-----	4081202100-445	4081266100-450

Pressure loss at 120 micron



Model F115-F140



Model F160

Model F180-F110