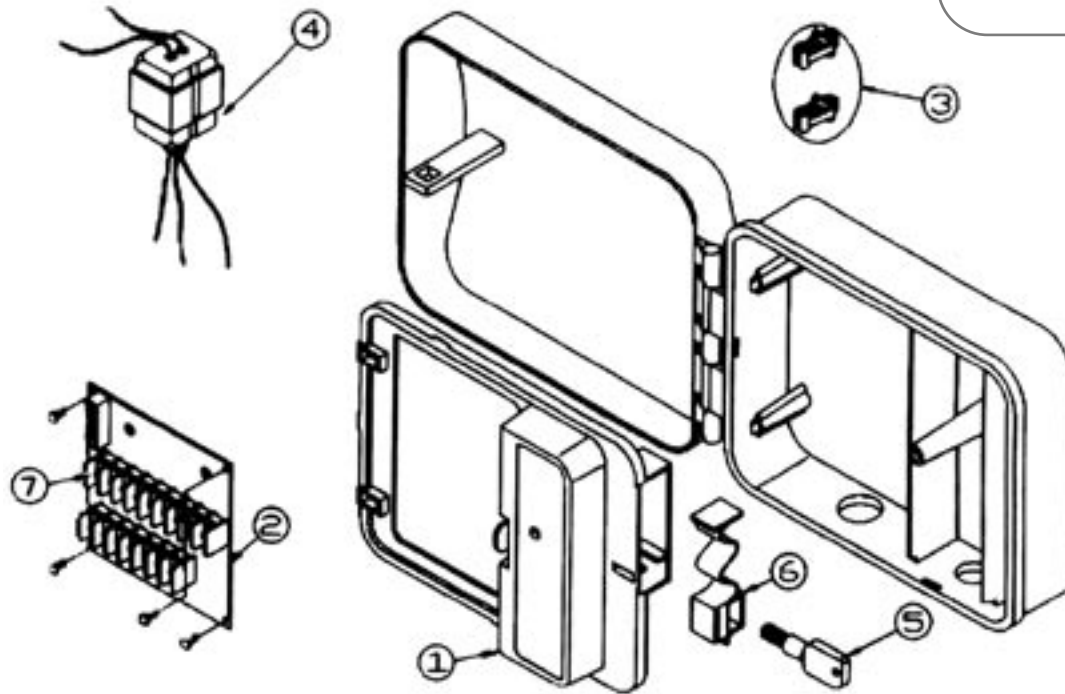
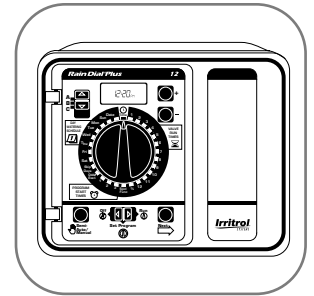


Rain Dial® Series

Model Numbers:

- RD600-EXT
- RD900-EXT
- RD1200-EXT

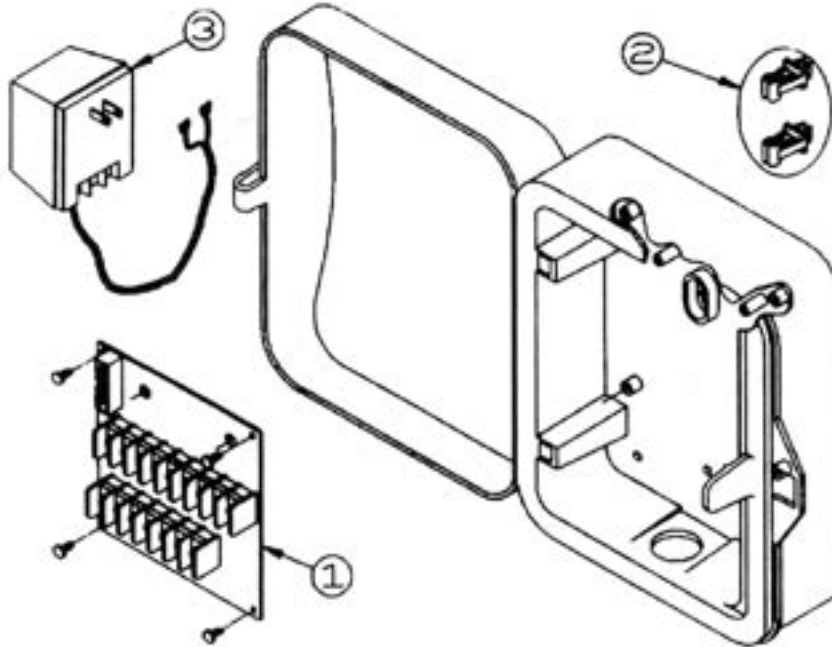


Model		RD600-EXT	RD900-EXT	RD1200-EXT
Ref. #	Description	Part Numbers	Part Numbers	Part Numbers
1	Face Plate	R693701	R693701	R693701
2	Terminal Board Assembly	R8987	R8987	R8987
3	Hinge Post	R8967	R8967	R8967
4	Transformer Assembly, 120 V ac, 60HZ	R675302	R675302	R675302
4	Transformer Assembly, 220 V ac, 50 Hz	R363-2415	R363-2415	R363-2415
4	Transformer Assembly, 240 V ac, 50 Hz	R719102	R719102	R719102
5	Key	R8969	R8969	R8969
6	Latch Spring	R8968	R8968	R8968
	Instruction Manual	1050302	1050302	1050302
	Door Label Instructions	1025301	1025301	1025301

Rain Dial® Series

Model Numbers:

- RD600-INT
- RD900-INT
- RD1200-INT



Model		RD600-INT	RD900-INT	RD1200-INT
Ref. #	Description	Part Numbers	Part Numbers	Part Numbers
1	Terminal Board Assembly	R8987	R8987	R8987
2	Hinge Post	R8967	R8967	R8967
3	Transformer Assembly, 120 V ac, 60 Hz	R201902	R201902	R201902
	Instruction Manual	1050302	1050302	1050302
	Door Label Instructions	1025301	1025301	1025301

Rain Dial® Series Module

Model Numbers:

- RD600-INT
- RD600-EXT
- RD900-INT
- RD900-EXT
- RD1200-INT
- RD1200-EXT



		RD600-INT RD600-EXT	RD900-INT RD900-EXT	RD1200-INT RD1200-EXT
Ref. #	Description	Part Numbers	Part Numbers	Part Numbers
	Module Assembly	RD-6 MOD	RD-9 MOD	RD-12 MOD