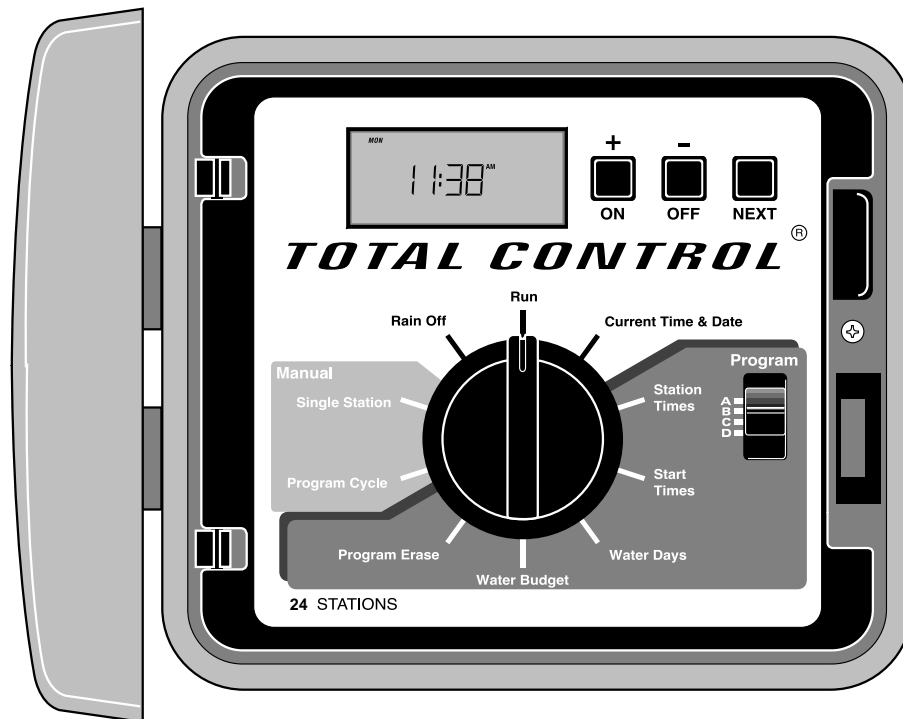




TOTAL CONTROL™

24 STATION CONTROLLER



User's Guide

- English
- Español
- Français

FEATURES

Thank you for purchasing a Total Control 24-Station controller. Listed below are some important features you should be aware of before you begin programming. Details on how to implement these features are described on the following pages.

- Four fully independent programs that can run concurrently
- Watering day scheduling by Weekdays, Odd/Even days (with selective day removal) or Day Interval from 1 to 30 days.
- 365-day calendar with automatic compensation for leap year
- Sixteen total start times to use in any program
- Start time stacking overlap protection within each program
- Station watering time from 0 minutes to 10 hours in 1-minute increments
- Program information erase feature selectable by program
- Non-volatile program memory retains programming information for up to 30 years without power
- Battery backup maintains time and date during a power failure for over 2000 continuous hours on a single 9-volt alkaline battery.
- Water budgeting from 0 to 200% in 10% increments
- Rain delay programmable to 7 days
- Self-diagnostic electronic circuit breaker that identifies and overrides faulty stations
- Master valve/pump start operation selectable per program
- Complete manual operations available by station and program
- Sensor switch connection for operation with any normally-closed rain switch device
- Slide switch control provided for rain switch sensor override
- Modular design for ease of programming, installation and service

To take full advantage of all Total Control features, please review the User's Guide completely before programming or installing your new controller.

TABLE OF CONTENTS

Features	<i>i</i>
Controller Components	2-3
General Information	4-6
How the Backup System Works.....	4
How the Electronic Circuit Breaker Works.....	5
How the Sensor Feature Works	6
Programming the Controller	7-15
Getting Started.....	7-9
Setting the Current Time and Date.....	10
Erasing Any Prior Programs	11
Setting the Station Run Time.....	11
Master Valve/Pump Start On/Off	12
Setting Program Start Times.....	12-13
Selecting the Days to Water	13-15
Operating the Controller	15-18
Water Budget.....	15
Manual Operations.....	16
Off and Rain Delay modes	17-18
Installation Procedures	19-24
Selecting an Installation Site.....	19
Mounting the Controller	20
Installing Electrical Conduit.....	20
Connecting the Valve Wiring.....	21
Connecting a Pump Start Relay	22
Connecting a Rain Shut-Off Sensor.....	23
Connecting an Earth Ground.....	23
Connecting the Power Wires.....	24
Troubleshooting	25-26
Fuse Replacement	27
Specifications	28

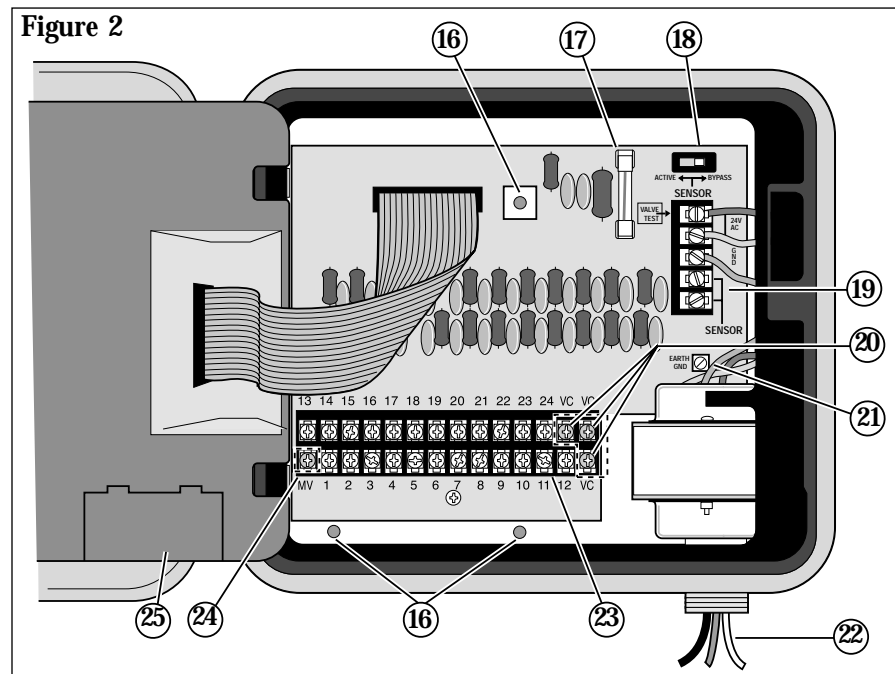
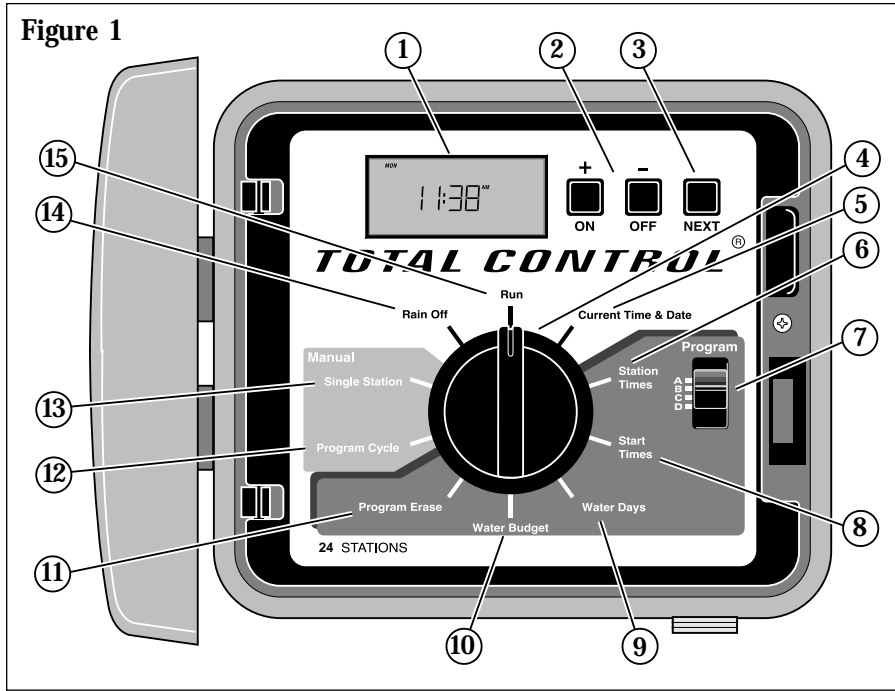
CONTROLLER COMPONENTS

▲ FIGURE 1

- 1 **LCD Display:** For viewing time, program and status information.
- 2 **+ /On & - /Off Buttons:** For entry of program information.
- 3 **Next Button:** For selection of information to be programmed or reviewed.
- 4 **Function Dial:** For selecting the programming and operating functions.
- 5 **Current Time/Date:** For setting the current time and date.
- 6 **Station Times:** For setting individual watering time for each station.
- 7 **Program Select Switch:** For selection of programs A, B, C or D.
- 8 **Start Times:** For setting the time each program cycle will start.
- 9 **Water Days:** For setting a watering day schedule for each program.
10. **Water Budget:** For the increase or decrease of station times for all stations within a program without changing program memory.
- 11 **Program Erase:** For erasing information within a selected program.
- 12 **Manual Program Cycle:** For manual operation start of a selected program watering cycle.
- 13 **Manual Single Station:** For timed or untimed operation of a single station.
- 14 **Rain Off:** For immediate shut down of all controller output. Programmable output delay for 1–7 days (Rain Delay).
- 15 **Run:** For automatic operation.

▲ FIGURE 2

- 16 **Mounting Holes:** Pilot screw holes for attaching controller to wall.
- 17 **Safety Fuse:** Replaceable 2.0A slow-blow fuse provides protection from an internal short-circuit condition.
- 18 **Sensor Control Switch:** To override rain switch sensor input.
- 19 **Sensor Connection Terminals:** For the connection an optional (normally-closed)rain switch device.
- 20 **Valve Common Terminals:** For the connection of up to three field (24V) common wires.
- 21 **Earth Ground Lug:** For connection of a 16–12 gauge (1.0–2.0mm²) copper ground wire to an earth ground.
- 22 **1/2" NPT Conduit Nipple:** For the connection of an electrical conduit access body for input power wiring.
- 23 **Valve Wire Terminals:** For the connection of valve control wires.
- 24 **Master Valve Terminal:** For the connection of a master valve or pump start relay control wire.
- 25 **Battery Compartment:** 9-volt alkaline battery access compartment.



Controller Components

GENERAL INFORMATION

This section contains general information on:

- How the backup system works
- How the electronic circuit breaker works
- How the sensor feature works

HOW THE BACKUP SYSTEM WORKS

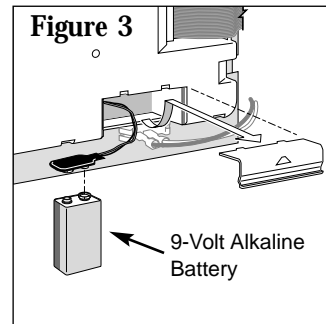
The Total Control uses non-volatile memory to store watering programs. This type of memory prevents the watering program information from becoming lost in the event of a power failure. An additional benefit of non-volatile memory is that a factory-installed backup program is not necessary, thereby avoiding the potential for unplanned operation.

Because the current time and date are always changing, only the most recent date can be saved in non-volatile memory. Therefore, a battery is required to maintain the correct time and date in the event of a power failure. A 9-volt alkaline battery (not provided) will maintain the correct time and date during power failures up to 90 days. In a typical installation, the battery should last from two to four years before replacement is necessary. Once the battery or AC power is connected, the controller can be fully programmed for operation.

Note: For operation of the valves, AC power must be applied.

To install the battery:

1. Unlatch the hinged control module assembly and carefully swing it outward to open.
2. Locate and remove the battery compartment cover from the lower back side of the module. See **Figure 3**.
3. Connect a 9-volt alkaline battery to the battery clip terminals.
4. Insert the battery into the compartment and reinstall the battery compartment cover.



Caution: Batteries contain hazardous material. Always handle and discard batteries properly in accordance with the battery manufacturer's recommendations.

HOW THE ELECTRONIC CIRCUIT BREAKER WORKS

The controller is equipped with an electronic circuit breaker. If the controller detects a short circuit, the affected station(s) will be turned off automatically. The display will then flash "SHORT" and the shorted station number or "MASTER VALVE." The controller continues to automatically water the other stations and the following watering programs until the shorted station is repaired. The program will be cancelled if the master valve circuit is shorted. Each automatic start will attempt another cycle and retest the short-circuited valve. Listed below are the most common conditions which will activate the electronic circuit breaker. After correcting the problem, return the controller to normal operation as follows:

1. Set the dial to one of the following positions: **Run**, **Manual-Single Station** or **Manual-Program Cycle**.
2. Press the **OFF** button to return the controller to the normal operating mode.

Condition: The word "SHORT" displays with one or more station numbers.

Diagnosis: One or more stations are shorted.

Solution: Check the wiring of the displayed stations for the cause of the shorted condition. Repair valve(s) and/or wiring as needed.

Diagnosis: Too many valves operating at the same time causing an overload condition.

Solution: Check watering programs for concurrent station operation. Include master valve/pump start relay if used. Maximum total output is 24 V a.c. at 1.25 amps. Reduce the number of stations running at the same time.

Condition: The word "SHORT" displays without any station numbers.

Diagnosis: A short circuit has occurred with a time duration too short for the controller to determine the station.

Solution: Check all valve wiring for breaks in the insulation which may cause a station output to short to common.

Diagnosis: A transient power surge spike has occurred.

Solution: Reset the controller.

Diagnosis: A short or overload occurred on one watering cycle but was no longer there on a subsequent cycle.

Solution: Check for loose and/or exposed valve wiring.

HOW THE SENSOR FEATURE WORKS

The Total Control is equipped to operate with an optional rain sensing device (rain switch) to prevent automatic controller operation during rain.

The rain switch is a simple device, typically installed on a roof overhang or stationary structure exposed to rainfall and full sun, and shielded from irrigation spray.

When rain occurs, the normally-closed rain switch senses the moisture and opens the valve common circuit, effectively preventing all output to the field. The electronic programming portion of the controller is isolated from the rain sensor switch, and continues to operate as programmed. When rain stops and the rain switch returns to its normally-closed state, the valve common circuit is restored, enabling watering to resume as scheduled.

A two-position sensor switch (see item 18 on page 3) is provided to enable you to easily bypass operation of the the rain switch at any time. If you choose to disregard rain switch input, place the **SENSOR** switch in the **Bypass** position. To enable rain switch operation, place the Sensor switch in the **Active** position.



IMPORTANT: If a rain switch is NOT connected to the controller, the SENSOR switch MUST be in the BYPASS position to enable controller operation.

The controller will not operate automatically or manually if the SENSOR switch is in the ACTIVE position without a rain switch connected.

PROGRAMMING THE CONTROLLER

This section covers the following topics:

- Getting started
- Setting the current time and date
- Erasing any prior programs
- Setting the station run time
- Selecting Master Valve/Pump Start on/off
- Setting the program start times
- Selecting the days to water

GETTING STARTED

PREPROGRAMMING THE CONTROLLER

The unique design of the Total Control enables you to easily remove the control module from the cabinet for convenient programming while in the comfort of your home.

To take advantage of this feature, unlatch the control module and swing it outward. Disconnect the ribbon cable, then simply unclip the module from its support frame. Now, by installing a 9-volt alkaline battery (as shown on page 4), you can program and review your watering schedules and have the controller ready to operate immediately upon completion of the installation procedures.

Note: To extend battery life, the display will automatically dim after two minutes of inactivity. To restore the display, simply turn the function dial to any position. A fresh battery will maintain the current time and date for over 2000 hours of continuous duty. The program memory is non-volatile and does not require a sustaining power source for retention.

WHAT IS A WATERING PROGRAM?

A watering program is basically a small set of instructions which tells the control module when to start a watering cycle, which stations to operate during the cycle, which days the cycle will be active and how long each station will operate during the cycle. The Total Control has four independent watering programs available for your use. Although only one program is required to operate your controller, using separate programs enables you to optimize the amount of water being applied to different areas of the landscape. For example, you might use one program to water lawns in full sun every day. Another program could be used to water lawns in partial shade only on Monday, Wednesday and Friday. Trees and shrubs

using drip irrigation could run on a separate program once every two weeks. The garden area requirements might include watering every other day.

To take full advantage of the programming options available, it is important to first understand how the controller works during operation. The following section explains what a watering cycle is and provides a basic example of how multiple programs can be set up.

WHAT IS A PROGRAM WATERING CYCLE?

When a watering start time is selected, that time becomes the beginning of an automatic watering cycle. A watering cycle operates each station assigned to the program, one by one, in numerical order.

In the following example (also shown on the sample watering plan on page 9), we have set up Program A to start at 2:00 a.m. and again at 3:00 a.m. on a 1-day interval (every day). Stations 1, 2, 4 and 5 are front and back yard lawn areas which get full sun throughout the day. Each station will run for 10 minutes per watering cycle, for a total of 20 minutes run time per day. Stations 3, 6 and 7 are lawn areas which are shaded during the afternoon hours. These areas require less water, so we have assigned them to Program B and programmed them to run once for 20 minutes on a 2-day interval (every other day).

At 2:00 a.m., Program A watering cycle starts. Station 1 turns on, runs for 10 minutes, and shuts off. Station 2 turns on, runs for 10 minutes, and turns off. Stations 4 and 5 operate sequentially in the same manner, each running for their set run time. When Station 5 shuts off, the watering cycle is completed for the first start time. At 3:00 a.m., the watering cycle starts again and repeats the same station-by-station watering sequence.

Note that we have 40 minutes total operating time per cycle in Program A. If we had set the next start time at 2:30 a.m., the start time would have been delayed until 2:40 a.m., enabling the first cycle to finish as programmed. This function is called “start time stacking”, and can occur within each program.

Watering programs, however, operate independently, which means that two or more programs can run simultaneously. In our example, Program B will also start at 2:00 a.m. Therefore, Stations 1 and 3 will turn on at the same time, and Station 2 will turn on while Station 3 is running. This feature enables more watering to be completed within the prime “watering window”, which is generally between Midnight and 6:00 a.m.

Note: When scheduling watering programs to run simultaneously, it is important to ensure the water supply has sufficient pressure and volume to maintain optimum sprinkler performance.

WATERING SCHEDULE FORM (SAMPLE)

For your convenience, a Watering Schedule Form/Quick Reference Card is provided. Use the form to plan and record your automatic watering activities. Use the quick reference instructions when minor programming changes are required. Keep the card with the controller by attaching it to the inside front cover.

(Example)

Watering Schedule Form		Program A	Program B	Program C	Program D
Watering Day Schedule					
Week Days					
Odd/Even					
Interval		1	2		
Watering Cycle Start Times		2 am, 3 am	2 am		
Station	Station Description	Station Run Time			
1	Front Lawn (sun)	10 min			
2	Front Lawn (sun)	10 min			
3	Side Lawn (shade)		20 min		
4	Back Lawn (sun)	10 min			
5	Back Lawn (sun)	10 min			
6	Back Lawn (shade)		20 min		
7	Back Lawn (shade)		20 min		
8					
9					
10					
11					
12					
13					
14					
15					
16					
17					
18					
19					
20					
21					
22					
23					
24					

SETTING THE CURRENT TIME AND DATE

Before you can program the controller for automatic watering, you must set the controller clock to the current time and date. This controller features a 365-day calendar with automatic leap year compensation. Once the date is set, the controller keeps track of the date and enables trouble-free, odd-even day of the month watering required in some locations. The time and date apply to all programs. To set the time and date, follow the steps below.

1. Turn the Function Dial to the **Current Time & Date** position. The Hour digits and **AM/PM** will flash.
2. Press the **+** button to increase or **-** button to decrease the hour digit.
Note: Continuous pressure on the **+** or **-** buttons, causes the display to change rapidly.
3. Press the **NEXT** button to select the minutes digits.
Use the **+** and/or **-** buttons to set the current minute.
4. Press the **NEXT** button to select the year digits.
Use the **+** and/or **-** buttons to set the current year.
5. Press the **NEXT** button to select the month.
Use the **+** and/or **-** buttons to set the current month.
6. Press the **NEXT** button to select the day digit(s).
Use the **+** and/or **-** buttons to set the current calendar day.
7. Return the Function Dial to the **Run** position when the current time and date have been set.

ERASING ANY PRIOR PROGRAMS

This process enables you to easily clear the controller memory of all user-defined watering program information within an individual program. This is an optional procedure and can be skipped if you wish to retain previous program operating information or the controller has not yet been programmed.

Erasing a program resets the memory to factory conditions: No station run time, program start time or active watering days. Water Budget is set to 100% and Master Valve/Pump Start is set to be "On."

Note: This process is program independent and resets only the information for the selected program.

To erase program information for a selected program:

1. Select Program A, B, C or D with the Program switch.
2. Turn the function dial to the Program Erase position. The display will show "ERASE."
3. Press and hold the OFF button until "DONE" is displayed.
4. Repeat this procedure for each program you wish to erase.

SETTING THE STATION RUN TIME

A station is assigned to a program when it is given a station run time (from 1 minute to 10 hours) in that program. The station can have only one run time per program. Additionally, the station can be assigned to any number of programs and have a different run time assigned in each.

To set the run time for each station:

1. Turn the function dial to the Station Times position. The controller displays STATION NUMBER 1 and OFF (or the current station run time).
2. Select Program A, B, C or D with the Program switch.
3. Press the NEXT button to select the station number you wish to set (if other than the one displayed).
4. Use the + and/or – buttons to display the desired station run time.

Note: OFF is the factory setting for each station. If the station has a run time and you wish to remove it from this program, use the + and/or – buttons to select OFF, (displayed between 10:00 [ten hours] and 00:01 [one minute]). (CONTINUED)

5. Repeat steps 3 and 4 to set a run time for each station you wish to assign to the selected program.
6. Repeat steps 2 through 5 for each program as necessary.

MASTER VALVE/PUMP START ON/OFF

The Total Control enables automatic operation of the Master Valve/Pump Start output circuit to be controlled independently for each watering program. For example, if a program is used for drip irrigation and the system pump is not required, the Master Valve/Pump Start output circuit can be shut off whenever that program begins operation.

The factory setting is ON for each program. Use the steps below to select the operation of this feature for each program as necessary.

1. Turn the function dial to the **Station Times** position.
2. Select Program **A, B, C** or **D** with the **Program** switch.
3. Press the **NEXT** button repeatedly until **MASTER VALVE** is displayed.
4. Press the **OFF** or **ON** button to display the operation of the master valve/pump start output for the selected program.
5. Repeat steps 2 through 4 for each program as necessary.

SETTING PROGRAM START TIME(S)

This procedure is used to set the watering cycle start time(s) for each program. A maximum of 16 start times can be allocated to the four programs in any manner. Each start time will initiate a sequential watering cycle of all stations with an assigned run time in the program.

Note: When 16 start times have been allocated, the display will show **NONE REMAINING** when attempting to assign additional start times.

To set program cycle start time(s):

1. Turn the function dial to the **Program Start Times** position.
2. Select Program **A, B, C** or **D** with the **Program** switch.
3. Use the **+** and/or **-** buttons to display the start time.
Note: To remove a start time, adjust the time to display **OFF** (located between 11:59 p.m. and 12:00 a.m.).
4. Press the **NEXT** button to assign another start time to the program.
5. Repeat steps 2 through 4 for each program as necessary.

Note: The Total Control will operate one watering cycle in a program at a time. If a start time occurs while a watering cycle is in progress, the start time will be delayed until the previous cycle is finished (this is called “start time stacking”). If the watering cycle extends past midnight into the next day, the cycle will continue operating until finished. However, if a watering cycle has been delayed until after midnight into a non-watering day, the watering cycle will not occur.

SELECTING THE DAYS TO WATER

Several watering day scheduling options are available. Each watering program can utilize any ONE of the following schedules:

- **Days of the week**

Use this type of schedule to water on specific days of the week. The days are displayed as three-letter abbreviations. For example, Sunday is SUN, Monday is MON, etc. Only the days you select to water will remain on the display.

- **Odd Days or Even Days**

To select every odd or even number calendar day, use this option. Because the 31st and the 1st are both odd number days, the 31st is automatically removed from the schedule. This watering day option also enables selected days of the week to be removed from the schedule.

- **Day Interval**

Selecting watering days by Day Interval enables a specific number of days between watering to be selected. For example, selecting a 1-day Interval schedules watering for every day. A 2-day interval schedules watering for every other day. A 30-day interval is the maximum interval frequency, which provides watering once every 30 days.

Another setting within the Day Interval is the current day of the schedule. The current day (displayed as TODAY) can be set for any day within the interval. This number automatically increases by one every day. When the TODAY number equals the Day Interval number, a watering day will occur. For example, to water every third day starting today, a 3-day interval would be set with TODAY as day 3. Or, to water every 5 days starting tomorrow, a 5-day interval would be selected with TODAY as day 4.

To set a watering day schedule for each program:

1. Turn the function dial to the **Watering Days** position. The display will show the current watering day schedule for the selected program.
2. Select Program **A, B, C** or **D** with the **Program** switch.
3. Set the watering day(s) for the program using one of the three following procedures: **Days of the Week**, **Odd Days/Even Days** or **Day Interval** scheduling procedure.
4. Repeat steps 2 and 3 as necessary to set a watering day schedule for each program.

Days of the Week

- A. Press the **NEXT** button until the weekday abbreviations are shown at the top of the display.
- B. Press the **ON** button. **SUN** (Sunday) will begin flashing.
- C. To select the day, press the **ON** button. To remove the day from the schedule, press the **OFF** button.
- D. Press the **NEXT** button to select the next day.
- E. Repeat steps C and D to set the remaining days of the week.

Odd Days or Even Days

- A. Press the **NEXT** button until **ODD DAYS** or **EVEN DAYS** is displayed.
- B. Press the **ON** button to select the schedule.
Optional: To remove selected days of the week from the Odd/Even watering schedule:
 1. Press the **NEXT** button until the selected day begins flashing.
 2. Press the **OFF** button to exclude the day from the schedule. (Press the **ON** button to restore the day to the schedule.)

Day Interval

- A. Press the **NEXT** button until the **DAY INTERVAL** option is displayed.
- B. Press the **ON** button to select this option.
- C. Press the **NEXT** button. The display shows the current Day Interval number (1–30).

- D. Use the + or – button to select the Day Interval (1–30 days).
- E. Press the NEXT button. The controller displays TODAY and its current setting.
- F. Use the + or – button to select the desired setting for today.

OPERATING THE CONTROLLER

This section includes instructions for the following controller operations:

- Water Budget
- Manual Operations
- Off and Rain Delay Modes

WATER BUDGET

The Water Budget feature enables you to easily increase or decrease the station run time (by percentage) of all stations assigned to a selected program. This is handy for making temporary, overall station run time adjustments without changing the original run time settings. Water Budget values range from 0 to 200% in 10% increments, with 100% being the normal setting.

For example, as the fall season approaches and the temperature decreases, you may want to reduce the station time for the stations in program A by 30%. Later you can return station times to their original values by setting the Water Budget value back to 100%.

Note: It is possible to inadvertently cause start time stacking when increasing station run time. Careful planning and use of Water Budget will prevent this from occurring.

To change the Water Budget percentage value of a selected program:

1. Turn the function dial to the **Water Budget** position.
2. Select Program A, B, C or D with the **Program** switch.
3. Use the + and/or – buttons to increase or decrease the percentage value (0–200%).
4. Turn the function dial to the **Run** position.

Note: The controller displays the % symbol in the **Run** position when Water Budget is in use for any program. During operation, the adjusted run time will be displayed.

MANUAL OPERATIONS

Manual operation allows you to run individual stations or start automatic watering programs as needed. The Total Control provides separate dial positions for each type of operation: Single Station and Program Cycle.

SINGLE STATION

This option enables individual stations to be operated for an untimed duration (turned On/Off) or operated for a selectable duration from one minute to 10 hours.

1. Turn the function dial to the **Single Station** position.
2. Select Program A, B, C or D with the **Program** switch.

Note: The programmed status of the master valve/pump start in the selected program determines whether the master valve/pump start will be activated with the manual operation.

3. Use one of the following options to operate the station.

For untimed operation:

- A. Press the **NEXT** button as necessary to display the station you wish to operate.
- B. Press the **ON** button. The station will turn on and remain on until one of the following occurs:
 - The **OFF** button is pressed
 - The controller clock passes midnight
 - The function dial is moved to another position

For timed operation:

- A. Press the **NEXT** button as necessary to display a station you wish to operate.
- B. Use the **+** and/or **-** buttons to set the desired amount of station run time (for this operation only), from one minute to 10 hours.
- C. To select additional stations to operate in sequence, repeat steps A and B as desired. Each station will operate one-by-one in the order they were selected.
- D. Leave the function dial in the **Single Station** position until the manual operation is complete, then return the dial to the **Run** position.

PROGRAM CYCLE

Use this feature to manually operate watering programs. You can run the entire program or start anywhere within the station sequence of the program.

Note: Only the stations with an assigned run time in the program will operate during the program watering cycle.

1. Turn the function dial to the **Program Cycle** position.
2. Select Program **A, B, C** or **D** with the **Program** switch.
3. Press the **NEXT** button to select the first station of the watering sequence (if other than the station number displayed).
4. Press the **ON** button to start the watering cycle. Watering will start with the selected station and will be followed by all subsequent stations. The display will show the run time remaining for the operating station.

Note: You may advance through the stations by pressing the **NEXT** key for the next station. To terminate operation at any time, press the **OFF** button.

5. Leave the function dial in the **Program Cycle** position until the manual operation is complete, then return the dial to the **Run** position.

OFF AND RAIN DELAY

Use this feature to turn off controller operation for indefinite periods of time (Off mode) or for a selected number of days (Rain Delay mode).

Turning Off the Controller

Turning the function dial to the **Rain Off** position places the controller in the Off mode. After a 2-second delay, any current watering activity will shut off and all subsequent watering program activity will be suspended. As long as the function dial is in the **Rain Off** position, the controller will remain in the Off mode. The controller clock continues to update current time and date, and all watering program information is retained while in the Off mode. Normal controller operation is resumed by simply placing the function dial in any other position.

Using the Rain Delay Mode

The Rain Delay mode enables automatic watering to be delayed from 1 to 7 days. At the end of the selected delay period, the controller resumes automatic operation. (CONTINUED)

To set a Rain Delay period

1. Turn the function dial to the **Rain Off** position.
2. Use the + and/or – buttons to select the number of days (1–7) to delay operation.
3. Turn the function dial to the **Run** position.

The display will show the number of days remaining in the delay period. The day number will automatically decrease by one digit each time the clock passes midnight. Automatic operation resumes when the display shows no delay days remaining.

Note: The controller can be operated manually while in the Rain Delay mode.

To cancel the Rain Delay mode:

1. Turn the function dial to the **Rain Off** position.
2. Press the – button until the display shows no delay days remaining.
3. Turn the function dial to the **Run** position.

INSTALLATION PROCEDURES

This section includes instructions for mounting the controller cabinet and making the necessary wiring connections. To ensure safe operation, it is important to follow the instructions carefully. The following procedures include:

- Selecting an Installation Site
- Mounting the Controller
- Installing Conduit
- Connecting the Field Wiring
- Connecting an Optional Rain Switch sensor
- Connecting an Optional Pump Start Relay
- Connecting an Earth Ground
- Connecting the Power Wires

SELECTING AN INSTALLATION SITE

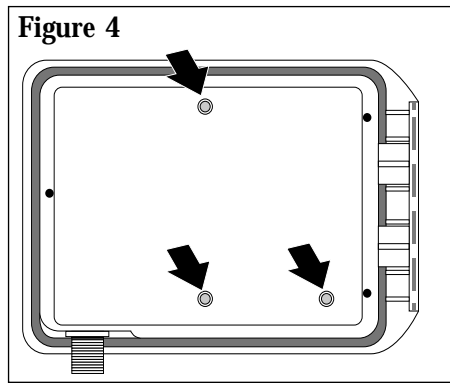
Selecting the proper installation site for the controller is essential to safe and reliable operation. The Total Control features a weather resistant cabinet designed for indoor or outdoor installation.

For easy operation and better view of the display, install the controller so that the display is at, or slightly below, eye level.

The controller should be installed on a vertical wall or other sturdy structure near a grounded power source. Select a location that shades the controller during the hottest hours of the day and provides as much protection from direct sunlight, rain, wind and snow as possible. DO NOT mount the controller where it will be exposed to direct spray from the irrigation system.

MOUNTING THE CONTROLLER

1. Place the mounting template (provided) on the wall, positioning the controller display area (indicated on the template) at or slightly below eye level. Using a small punch or nail, mark the locations of the top and bottom centerline mounting holes and the additional lower hole if extra cabinet support is desired.
2. Drill pilot holes at least 1-1/4" (32mm) deep into the wall using a 3/32" (2.5mm) drill for wall stud, or 1/4" (6.5mm) for masonry.
3. For the masonry wall installation only, insert plastic screw anchors into the pilot holes.
4. Open the cabinet door and swing out the control module by pressing in on the release latch.
5. With the cabinet door and control module in the open position, turn the controller over, resting it face down on a clean smooth work surface.
6. Using a 3/16" (5mm) drill, carefully drill through the center of the mounting hole locators on the back of the controller cabinet. See **Figure 4**.
7. Align the cabinet mounting holes with the wall pilot holes. Using the #10 x 1" (25.4mm) phillips head screws, securely fasten the cabinet to the wall.



INSTALLING ELECTRICAL CONDUIT

Note: Electrical conduit and adapters are not supplied with the controller but may be required for installation in your area. Check local electrical codes and install conduit according to requirements.

1. For power wires, install a 1/2" NPT threaded conduit access body to the transformer assembly threaded nipple. From the access body, install conduit to the source point of connection. (Domestic and international models only.)
2. For field (low voltage) wiring, install a 1-1/2" (38mm) conduit adapter and conduit.

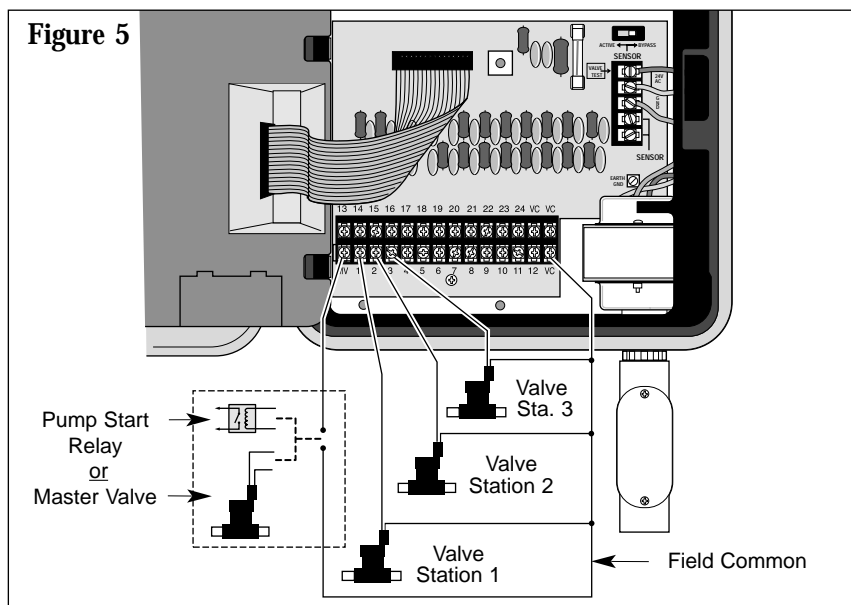
CONNECTING THE VALVE WIRING

1. To provide a field common wire, attach one wire to either solenoid lead of all sprinkler valves and master valve (optional).
2. Attach a separate control wire to the remaining solenoid lead of each valve. Label the control wires with the intended station number for identification at the controller.

Caution: All wiring splices must be waterproofed to prevent short circuits and corrosion.

Caution: A maximum load of 12 VA (0.5 amps) may be connected to each station. A maximum load (including master valve) of 30 VA (1.25 amps) may be programmed to operate simultaneously. Exceeding these limits can damage the controller.

3. Route the control and common wires into the controller cabinet through the 1-1/2" (38mm) access opening. Remove approximately 1/2" (13mm) insulation from the ends of each wire.
4. Attach the field common wire to one of the three valve common terminals labeled "VC."
5. Referring to **Figure 5** connect each valve control wire to the appropriate station number terminal. If an optional master valve is installed, connect its control wire to the terminal labeled "MV." Tighten all terminal screws securely.



CONNECTING A PUMP START RELAY

When a pump is to be operated by the controller, a compatible relay must be used. The relay coil will be connected to the master valve (MV) terminal and must be rated for 24 V a.c. at 0.5A maximum. The relay contacts will be connected to the pump start terminals and must be rated for use with the particular pump.


Note: Transient suppressors may be needed across the relay contacts in installations using large pumps.

Caution: Do not connect the master valve output terminal directly to the pump start terminals. This will damage the controller.

To connect the pump start relay:

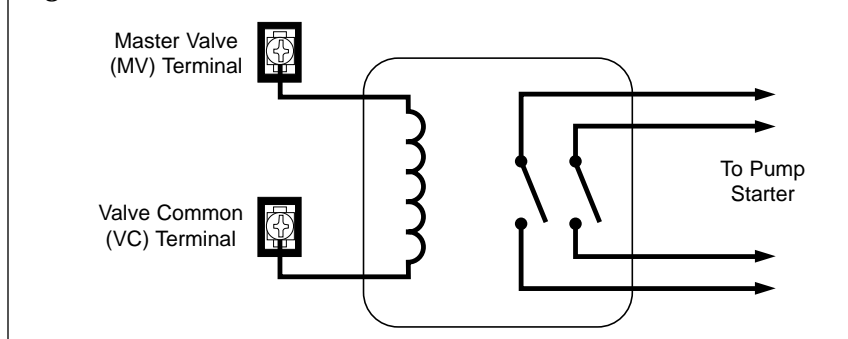
1. Connect the master valve output terminal (MV) to one side of the relay coil.
2. Connect the other side of the relay coil to the valve common (VC) terminal. See **Figures 5 and 6**.

WARNING



Proper connection of the pump and relay contacts depends on the pump configuration and may involve **HIGH VOLTAGE**. This connection should be performed by a licensed electrical contractor in accordance with all requirements of the National Electrical Code, applicable state and local codes and the pump manufacturer's recommendations.

Figure 6



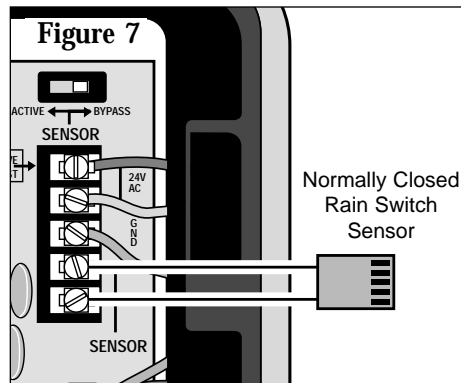
CONNECTING A RAIN SWITCH SENSOR

The Total Control is designed for use with a normally-closed rain sensor or “Rain Switch.” (Refer to page 6 for additional important rain switch information.)

To connect the rain switch sensor:

1. Route the two wires from the sensor into the cabinet through the field wire access opening.
2. Connect the wires to the “SENSOR” terminals in either order. See **Figure 7**.

Note: Refer to the installation instructions provided with the sensor for additional information.



CONNECTING AN EARTH GROUND

A power surge is a sudden rise in voltage on the power main line. It is then often followed by a drop in voltage as the power line equipment tries to protect area users. A lightning strike on the power grid is the most common cause of power surges and can be damaging to the controller. Surge protection is built into the Total Control PC board to reduce the potential for surge damage by shunting the voltage to earth ground. Therefore, an important step in the installation process is to properly connect the controller to an earth ground source, especially if the controller is located in a lightning-prone area.

Caution: The built in surge protection components cannot effectively protect the controller circuitry from power surge unless properly connected to an earth ground source.

To connect an earth ground:

1. Route a 12–16-gauge (2.0–1.0mm²) solid copper wire in the most direct path from the “EARTH GND” lug, located on the controller’s terminal board (see item 21 on page 3), to an earth ground source such as metal (not plastic) water pipe or copper-clad ground rod.
2. Clamp the bare wire securely to the pipe or ground rod. Make sure the wire contact area is free of dirt and corrosion.

CONNECTING THE POWER WIRES

The controller has a built-in transformer which must be connected to a grounded three-wire 120 V a.c. (domestic), 230 V a.c. (international) or 240 V a.c. (Australia) power source.



WARNING

All electrical components must meet applicable national and local electrical codes including installation by qualified personnel.

These codes may require an external junction box mounted on the transformer nipple and a means in the fixed wiring of disconnecting AC power having a contact separation of at least 0.120" (3mm) in the line and neutral poles.

Ensure the AC power source is OFF prior to connecting to the controller.

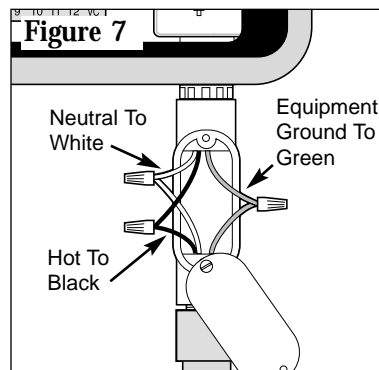
The wire used for connection to the controller must have insulation rated at 105°C minimum.

Caution: Do not connect the controller to one phase of a three-phase power supply used by a pump or other electrical equipment.

1. Ensure the power is disconnected at the source.
2. Route the AC power and equipment ground wires through electrical conduit to the controller.
3. Using a proper wire connection method, attach the Hot (Line 1) to the Black wire, Neutral (Line 2) to the White wire and Equipment Ground to the Green or Green/Yellow wire.

Note: The wire connection method shown in **Figure 7** applies to a domestic controller installation only. For international controller installation, refer to electrical code requirements for proper wire connection method. For Australian installation, connect the power cord to a grounded 240 V a.c. receptacle.

4. Close and secure the conduit body cover. Apply power to the controller.



TROUBLESHOOTING

❖ Error	Solution
❖ All valves will not turn on automatically	<ol style="list-style-type: none">1. Verify program: station time, watering start times, watering days schedule, current time, current day, water budget and rain delay.2. Check valve common wire for proper connection.3. Check for a shorted station; refer to4. "How the electronic circuit breaker works" on page 5.5. Ensure rain sensor (if installed) is properly connected and functioning properly. If rain sensor is not installed, ensure the SENSOR SWITCH is in BYPASS position.6. Check fuse, replace if necessary. See p. 27.
❖ Cannot program	<ol style="list-style-type: none">1. Disconnect power to controller for 1 minute. Reconnect power and reprogram.2. Install fresh 9-volt alkaline battery.3. Verify that all 16 start times are not in use by other programs.
❖ Controller skips a cycle	<ol style="list-style-type: none">1. Verify watering start times, current time and watering days schedule.
❖ No display	<ol style="list-style-type: none">1. Check power source for tripped circuit breaker.2. If program module has been removed, this is a normal battery-saving feature. Turn dial to any position to reactivate display.3. Disconnect power to controller for 1 min. Reconnect power and reprogram.4. Replace battery5. Check fuse, replace if necessary. See p. 27.

❖ Error	Solution
❖ Valve stays on	<ol style="list-style-type: none"> 1. Check station times and water budget. 2. Check for Manual mode; place dial in Run position. 3. Disconnect valve wire. If still on, valve malfunction is indicated. 4. Check for manual bleed closure at valve.
❖ Valve will not turn on	<ol style="list-style-type: none"> 1. Ensure dial is not in Rain Off position or Rain Delay mode active. 2. Verify program: station time, watering start times, watering days schedule, current time, current day and water budget. 3. Make sure common wire and valve wire are correctly connected. 4. Check for a shorted station, refer to page 5. 5. If using sensor, check sensor. 6. Check for blown fuse. Replace if necessary. See page 27 for fuse replacement information.
❖ “Short” or “Master Valve” is displayed	<ol style="list-style-type: none"> 1. See “How the Electronic Circuit Breaker Works” on page 5 for troubleshooting information.
❖ Waters too often	<ol style="list-style-type: none"> 1. Too many program start times set. Check each program to determine the number of start times assigned and remove as necessary.

FUSE REPLACEMENT



WARNING

If fuse replacement is required, replace only with the same type and rating. Installing a higher amperage fuse can result in serious injury and or equipment damage due to fire hazard.

1. Disconnect power to the controller.
2. Carefully remove the fuse (item 17 on page 3) from the end clips.
3. Install a new 2.0A slow-blow fuse, ensuring it is securely seated in both end clips.
4. Restore power to the controller.

SPECIFICATIONS

Cabinet: Plastic, weather-resistant, indoor/outdoor, wall mount with key-actuated locking cover

Dimensions: 10.5" W x 8.375" H x 5" D
(26.67cm W x 21.27cm H x 12.7cm D)

Wiring/Conduit Provision: Power Wiring – 1/2" NPT nipple
Field Wiring – 1-1/2" (38mm) diameter conduit access

Power Specifications, Domestic Model (TC-24EX-B):

Input – 120 V a.c., 60 Hz, 0.5A

Output – 24 V a.c., 60 Hz, 1.25A (max. total), 0.5A (max. per station)

Power Specifications, International Model (TC-24EX-B-50-E):

Input – 230 V a.c., 50 Hz, 0.5A

Output – 24 V a.c., 50 Hz, 1.25A (max. total), 0.5A (max. per station)

Power Specifications, Australian Model (TC-24EX-B-50-A):

Input – 240 V a.c., 50 Hz, 0.5A

Output – 24 V a.c., 50 Hz, 1.25A (max. total), 0.5A (max. per station)

Sensor Input: Normally-closed rain switch (override switch provided)

Master Valve/Pump Start Relay Output: 24 V a.c., 0.5A (maximum)

Battery: 9-volt, Alkaline

Fuse: 250V, 2A, Slow-Blow

Temperature Limit Specifications:

Operating – 32°F to 140°F (0°C to 60°C)

Storage – -22°F to 149°F (-30°C to 65°C)

Electromagnetic Compatibility

Domestic: This equipment generates and uses radio frequency energy and if not installed and used properly, that is, in strict accordance with the manufacturer's instructions, may cause interference to radio and television reception. It has been type tested and found to comply with the limits for a FCC Class B computing device in accordance with the specifications in Subpart J of Part 15 of FCC Rules, which are designed to provide reasonable protection against such interference in a residential installation. However, there is no guarantee that interference will not occur in a particular installation. If this equipment does cause interference to radio or television reception, which can be determined by turning the equipment off and on, the user is encouraged to try to correct the interference by one or more of the following measures:

- Reorient the receiving antenna.
- Relocate the irrigation controller with respect to the receiver.
- Move the irrigation controller away from the receiver.
- Plug the irrigation controller into a different outlet so that the irrigation controller and receiver are on different branch circuits.

If necessary, the user should consult the dealer or an experienced radio/television technician for additional suggestions. The user may find the following booklet prepared by the Federal Communications Commission helpful:

"How to Identify and Resolve Radio-TV Interference Problems." This booklet is available from the U.S. Government Printing Office, Washington, DC 20402. Stock No. 004-000-00345-4.

International: This is a CISPR 22 Class B product.

Technical Assistance

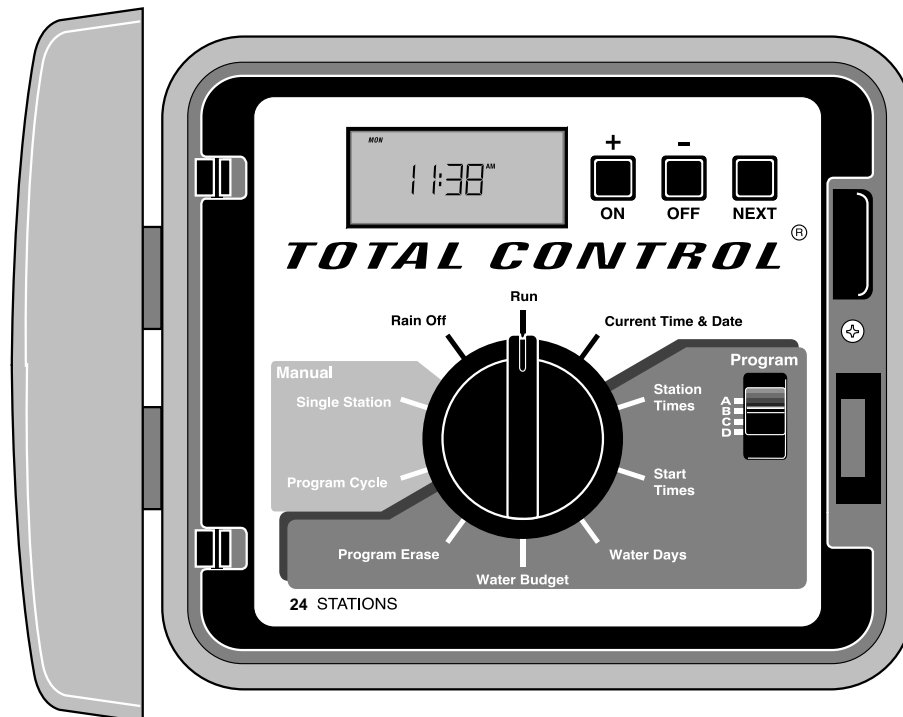
U.S.A.:
P.O. Box 489
Riverside, California 92502
Tel: (800) 634-8873
(909) 785-3623

Europe:
Irritrol Systems Europe s.p.a.
Via dell'Artigiano 1/3-Loc Prato della Corte
00065 Fiano Rome (Roma) Italy
Tel: (39) 0765 455201

Australia:
Irritrol Systems PTY Ltd.
53 Howards Road
Beverly SA 5009
Tel: (08) 8300 3633

Irritrol[®]
SYSTEMS

PROGRAMADOR
TOTAL CONTROL[™]
24 ESTACIONES



Guía del Usuario

CARACTERÍSTICAS

Le damos las gracias por haber comprado un programador Total Control de 24 estaciones. Se enumeran a continuación algunas de las características importantes que usted debería conocer antes de comenzar la programación de esta unidad. Los detalles sobre cómo utilizar estas características se describen en las páginas que siguen.

- Cuatro programas totalmente independientes que pueden operar simultáneamente.
- Programación de los días de riego por Días de la semana, Días impares/pares (con el cambio de días seleccionados) o Días de intervalo desde 1 a 30 días.
- Un calendario de 365 días con compensación automática para los años bisiestos.
- Un total de dieciséis arranques para usarse en cualquier programa.
- Protección contra solapes en los arranques dentro de cada programa.
- Tiempos de riego de las estaciones desde 0 minutos hasta 10 horas en incrementos de 1 minuto.
- Función de borrado de la información de un programa seleccionable por programa.
- La memoria no volátil de los programas retiene la información de programación hasta un máximo de 30 años sin necesidad de energía eléctrica.
- La función de respaldo por pila mantiene las horas y las fechas durante un corte eléctrico por más de 2000 horas continuas con una sola pila alcalina de 9 voltios.
- El porcentaje del agua de riego puede ajustarse desde 0 a 200% en incrementos de 10%.
- Demora por lluvia programable hasta 7 días.
- Disyuntor de circuito electrónico autodiagnosticador que identifica y anula las estaciones defectuosas.
- Operación de arranque de la válvula maestra/bomba seleccionable por programa.
- Operaciones manuales completas disponibles por estación y por programa.
- Conexión del interruptor del sensor para su operación con cualquier dispositivo de interrupción por lluvia normalmente cerrado.
- Control de interruptor deslizante provisto para la anulación del sensor del interruptor por lluvia.
- Diseño modular para facilitar la programación, la instalación y el servicio de mantenimiento.

Para beneficiarse al máximo de todas las características del programador Total Control, tenga la bondad de leer detenidamente la Guía del Usuario antes de proceder a la programación o instalación de su nuevo programador.

TABLA DE MATERIAS

Características	<i>i</i>
Componentes del programador	2-3
Información general	6
Cómo funciona el sistema de respaldo.....	4
Cómo funciona el disyuntor de circuito electrónico.....	5
Cómo funcionan los sensores.....	6
Programación del programador	7-15
Cómo empezar.....	7-9
Establecimiento de la hora y fecha actuales.....	10
Borrado de cualquier programa anterior.....	11
Establecimiento de los tiempos de riego de las estaciones.....	11
Activación/Desactivación del Arranque de la Válvula Maestra/Bomba.....	12
Establecimiento de las horas de arranque de los programas.....	12-13
Selección de los días de riego.....	13-15
Operación del programador	15-18
Porcentaje del agua de riego.....	15
Operaciones manuales.....	16
Modalidades de Desactivación del Riego y de Demora por Lluvia.....	17-18
Procedimientos de instalación	19-24
Selección del sitio de instalación.....	19
Montaje del programador.....	20
Instalación de los conductos de cables.....	20
Conexión de los cables de campo.....	21
Conexión de un relé de arranque de la bomba.....	22
Conexión de un sensor de interrupción por lluvia.....	23
Conexión a tierra.....	23
Conexión de los cables de alimentación eléctrica.....	24
Localización de averías	25-26
Reemplazo de fusibles	27
Especificaciones	28

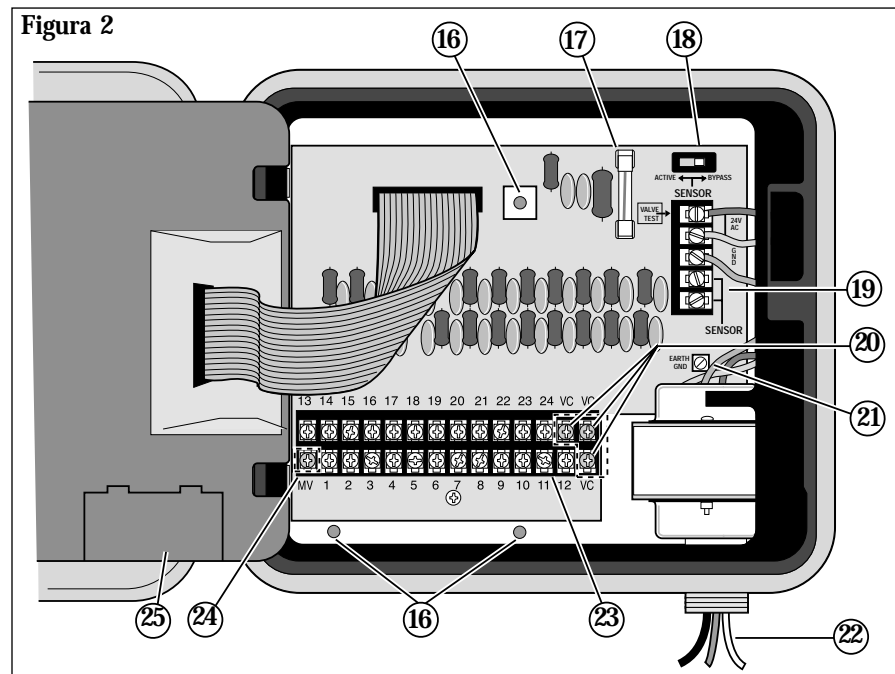
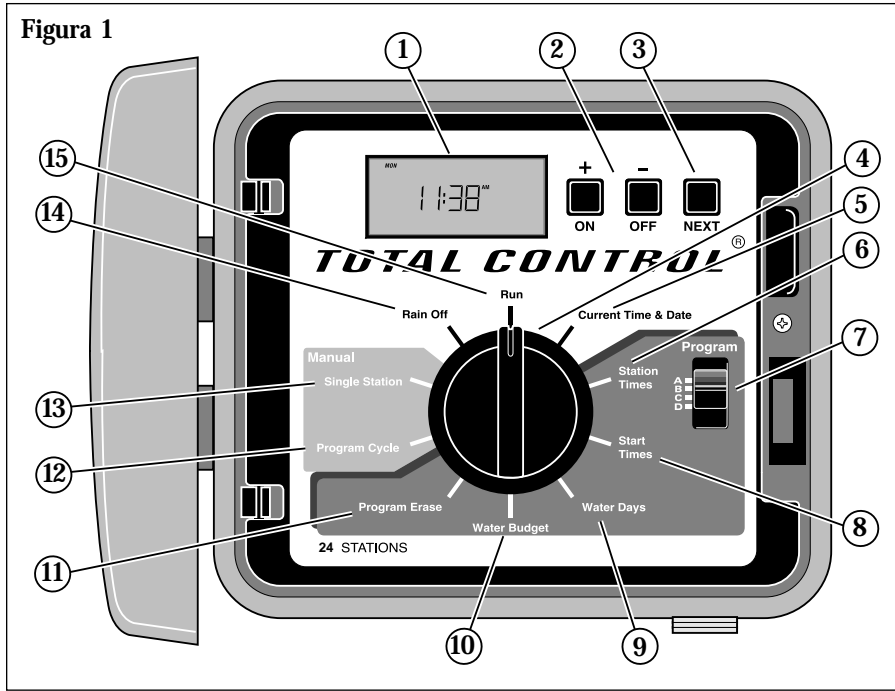
COMPONENTES DEL PROGRAMADOR

▲ FIGURA 1

- 1 **LCD Display (Pantalla LCD):** Para visualizar la información sobre el tiempo, programas y estado.
- 2 **+/On & -/Off Buttons (Botones +/-Activar y +/-Desactivar):** Para introducir la información de los programas.
- 3 **Next Button (Botón Siguiente):** Para seleccionar la información que ha de programarse o revisarse.
- 4 **Function Dial (Dial de funciones):** Para seleccionar las funciones de programación y operación.
- 5 **Current Time/Date (Hora/Fecha actuales):** Para establecer la hora y fecha actuales.
- 6 **Station Times (Tiempos de riego de las estaciones):** Para establecer el tiempo de riego individual de cada estación.
- 7 **Program Select Switch (Botones selectores de programas):** Para seleccionar los programas A, B, C o D.
- 8 **Start Times (Horas de arranque):** Para establecer la hora de arranque de cada ciclo del programa.
- 9 **Water Days (Días de riego):** Para establecer un plan de días de riego para cada programa.
- 10 **Water Budget (Porcentaje del agua de riego):** Para aumentar o reducir los tiempos de riego de todas las estaciones dentro de un programa sin necesidad de cambiar la memoria del programa.
- 11 **Program Erase (Borrado de programas):** Para borrar la información dentro de un programa seleccionado.
- 12 **Manual Program Cycle (Ciclo del programa- manual):** Para el arranque manual del ciclo de riego de un programa seleccionado.
- 13 **Manual Single Station (Estación individual-manual):** Para la operación de una estación individual durante un tiempo determinado o indeterminado.
- 14 **Rain Off (Desactivación por lluvia):** Para detener inmediatamente todas las actividades del programador. Las demoras de las actividades son programables desde 1 a 7 días (Demora por lluvia).
- 15 **Run (Operar):** Para la operación automática.

▲ FIGURA 2

- 16 **Orificios de montaje:** Orificios piloto para tornillos para sujetar el programador a la pared.
- 17 **Fusible de seguridad:** Un fusible de fusión lenta de 2.0 A proporciona protección contra posibles cortocircuitos internos.
- 18 **Interruptor de control del sensor:** Para anular la entrada del sensor del interruptor por lluvia.
- 19 **Terminales de conexión del sensor:** Para la conexión de un dispositivo opcional de interrupción por lluvia (normalmente cerrado).
- 20 **Terminales comunes de las válvulas:** Para la conexión de hasta tres cables comunes de campo (24 V).
- 21 **Orejeta de conexión a tierra:** Para la conexión de un cable de cobre de 1,0 a 2,0 mm² de espesor a una buena tierra.
- 22 **Niple de conducto de cables con una rosca de 1/2" NPT:** Para la conexión de una caja de acceso de un conducto para los cables de alimentación eléctrica.
- 23 **Terminales de los cables de válvulas:** Para la conexión de los cables de control de las válvulas.
- 24 **Terminal de la válvula maestra:** Para la conexión del cable de control del relé de arranque de una válvula maestra o bomba.
- 25 **Compartimiento de la pila:** Compartimiento de acceso a la pila alcalina de 9 voltios.



Componentes del Programador

INFORMACION GENERAL

Esta sección contiene información general para:

- Cómo funciona el sistema de respaldo
- Cómo funciona el disyuntor de circuito electrónico
- Cómo funcionan los sensores

COMO FUNCIONA EL SISTEMA DE RESPALDO

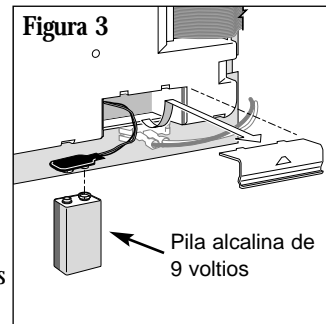
El programador “Total Control” usa una memoria no volátil para almacenar los programas de riego. Este tipo de memoria evita que la información de los programas de riego se pierda en caso de producirse un corte de la alimentación eléctrica. Un beneficio adicional de la memoria no volátil es que el programa de respaldo instalado en fábrica no es necesario, por lo que se evita la posibilidad de una operación no planeada.

Debido a que las horas y las fechas actuales cambian continuamente, solamente la fecha más reciente puede almacenarse en una memoria no volátil. Por lo tanto, es necesario disponer de una pila para mantener la hora y la fecha actuales en el caso de interrumpirse la alimentación eléctrica. Se usa una pila alcalina de 9 voltios (no está incluida) para mantener la hora y fecha correctas durante las interrupciones de corriente eléctrica hasta un máximo de 90 días. En una instalación típica, la pila dura de dos a cuatro años antes de que sea necesario reemplazarla. Una vez conectada la pila o la alimentación de corriente alterna, el programador podrá programarse completamente para su operación.

Nota: Para la operación de las válvulas, será necesario aplicar a corriente alterna a las mismas.

Cómo instalar la pila:

1. Suelte el pestillo del conjunto del módulo de control abisagrado y gírelo con cuidado hacia afuera para abrirlo.
2. Localice y retire la tapa del compartimiento de la pila en la parte inferior del lado trasero del módulo. Vea la **Figura 3**.
3. Conecte una pila alcalina de 9 voltios a los terminales del clip para la pila.
4. Introduzca la pila en el compartimiento y reinstale la tapa del compartimiento de la pila.



Precaución: Las pilas contienen materiales dañinos. Manipule y deseche siempre las pilas de acuerdo con las recomendaciones del fabricante.

COMO FUNCIONA EL DISYUNTOR DE CIRCUITO ELECTRONICO

El programador está equipado de un disyuntor de circuito electrónico. Si el programador detecta un cortocircuito, la estación o estaciones afectadas serán desactivadas inmediatamente. Entonces aparecerá destellando en la pantalla la palabra "SHORT" (Cortocircuito) y el número de la estación o la "VALVULA MAESTRA" que tengan un cortocircuito. El programador continuará regando automáticamente las demás estaciones y los siguientes programas de riego hasta que se haya reparado la estación cortocircuitada. El programa será cancelado si el circuito de la válvula maestra está cortocircuitado. Cada arranque automático tratará de iniciar otro ciclo y verificará de nuevo la válvula cortocircuitada. Se enumeran a continuación las condiciones más comunes que activarán el disyuntor de circuito electrónico. Después de corregir el problema, haga lo siguiente para que el programador reanude su operación normal:

1. Gire el dial a una de las posiciones siguientes: **Run (Operar)**, **Manual-Single Station (Estación individual- Manual)** o **Manual-Program Cycle (Ciclo del programa-Manual)**.
2. Oprima el botón OFF para que el programador vuelva a la modalidad de operación normal.

Condición: Aparece en pantalla la palabra "SHORT" con uno o más números de estación.

Diagnóstico: Una o más estaciones están cortocircuitadas.

Solución: Compruebe el cableado de las estaciones indicadas en pantalla para determinar la causa del cortocircuito. Repare la válvula o válvulas y/o el cableado según sea necesario.

Diagnóstico: Demasiadas válvulas operan al mismo tiempo, lo que causa una condición de sobrecarga.

Solución: Compruebe los programas de riego para ver si hay estaciones que funcionan simultáneamente. Incluya el relé de arranque de la válvula maestra/bomba en caso de usarse. La máxima salida total es de 24 V c.a. a 1,25 amperios. Reduzca el número de estaciones que funcionan al mismo tiempo.

Condición: Aparece en pantalla la palabra "SHORT" sin ningún número de estación.

Diagnóstico: Se ha producido un cortocircuito con un tiempo de duración demasiado corto para que el programador haya podido determinar la estación.

Solución: Inspeccione el cableado de todas las válvulas para ver si hay grietas en el aislamiento, lo cual podría hacer que la salida de una estación se cortocircuitara con un cable común.

Diagnóstico: Se ha producido una punta transitoria de exceso de corriente o voltaje.

Solución: Reposicione el programador.

Diagnóstico: Se produjo un cortocircuito o una sobrecarga en un ciclo de riego pero ya no se produjo en un ciclo subsiguiente.

Solución: Inspeccione si el cableado de alguna válvula se ha aflojado y/o está expuesto.

COMO FUNCIONAN LOS SENSORES

El programador "Total Control" está equipado para funcionar con un dispositivo sensor de lluvia opcional (interruptor por lluvia) para evitar la operación automática del programador durante la lluvia.

El interruptor por lluvia es un dispositivo sencillo que generalmente está instalado en el voladizo del techo o sobre una estructura estacionaria expuesta a la lluvia y a los rayos solares, y protegido de la aspersión del riego.

Cuando llueve, el interruptor por lluvia normalmente cerrado detecta la humedad, por lo que abre el circuito común de las válvulas y evita eficazmente toda salida eléctrica hacia el campo. La porción de programación electrónica del programador está aislada del interruptor del sensor de lluvia y continúa funcionando tal como ha sido programada. Cuando cesa de llover y el interruptor por lluvia regresa a su estado normalmente cerrado, se restaura el circuito común de las válvulas, permitiendo que el riego se reanude tal como había sido programado.

Se provee un interruptor del sensor de dos posiciones (vea el dispositivo 18 en la página 3) para que usted pueda anular la operación del interruptor por lluvia en cualquier momento. Si usted elige pasar por alto la entrada del interruptor por lluvia, coloque el interruptor del SENSOR en la posición de Bypass (Anulación). Para habilitar la operación del interruptor por lluvia, coloque el interruptor del sensor en la posición Active (Activo).



IMPORTANTE: Si el interruptor por lluvia NO está conectado al programador, es ESENCIAL que el interruptor del SENSOR esté en la posición de BYPASS para permitir que funcione el programador.

El programador no funcionará automática ni manualmente si el interruptor del SENSOR está en la posición de ACTIVE y el interruptor por lluvia no está conectado.

PROGRAMACION DEL PROGRAMADOR

Esta sección abarca los siguientes temas:

- Cómo empezar
- Establecimiento de la hora y fecha actuales
- Borrado de cualquier programa anterior
- Establecimiento de los tiempos de riego de las estaciones
- Selección de activación/desactivación de arranque de la válvula maestra/bomba
- Establecimiento de las horas de arranque de los programas
- Selección de los días de riego

COMO EMPEZAR

PROGRAMACION PRELIMINAR DEL PROGRAMADOR

El singular diseño del programador Total Control permite que el módulo de control se separe fácilmente de su armario para que usted lo pueda programar en la comodidad de su hogar.

Para sacar provecho de esta característica, suelte el pestillo del módulo de control y gírelo hacia afuera. Desconecte el cable de tipo plano y luego desacople simplemente el módulo de su bastidor soporte. Ahora, proceda a la instalación de una pila alcalina de 9 voltios (tal como se muestra en la página 4) para poder programar y revisar sus planes de riego y permitir que el programador esté listo para operar inmediatamente después de completar los procedimientos de instalación.

Nota: Para prolongar la vida útil de la pila, la pantalla se oscurecerá automáticamente después de dos minutos de inactividad. Para restaurar la visualización, gire simplemente el dial de funciones a cualquier posición. Una pila nueva mantendrá la hora y fecha actuales durante más de 2000 horas de servicio continuo. La memoria de los programas no es volátil y no necesita ninguna fuente eléctrica para retenerlos.

¿QUE ES UN CICLO DE RIEGO?

Un programa de riego es básicamente un pequeño conjunto de instrucciones que dice al módulo de control cuándo arrancar un ciclo de riego, las estaciones que han de operar durante el ciclo, los días en que el ciclo estará activado y cuánto tiempo operará cada estación durante el ciclo. El programador Total Control tiene cuatro programas de riego independientes disponibles para su uso. Aunque sólo se necesita un programa para operar el programador, el uso de programas separados permitirá optimizar la cantidad de agua que se aplique a las varias áreas de la zona verde. Por ejemplo, usted puede usar un programa para regar el césped a pleno sol cada día. Otro programa puede usarse para regar el césped bajo sombra parcial solamente los lunes, miércoles y viernes. Los árboles y arbustos que usan riego por goteo podrían ser regados por un programa separado una vez cada dos semanas. Los requisitos del área de flores pueden incluir un riego cada dos días.

Para aprovecharse al máximo de las opciones de programación disponibles, es importante comprender primero cómo funciona el programador durante su operación. La sección siguiente explica qué es un ciclo de riego e incluye un ejemplo básico de cómo pueden configurarse los programas múltiples.

¿QUE ES EL CICLO DE RIEGO DE UN PROGRAMA?

Cuando se selecciona una hora de arranque de riego, esa hora representa el principio de un ciclo de riego automático. Un ciclo de riego opera todas las estaciones asignadas al programa de una en una en orden numérico.

En el ejemplo siguiente (que también puede verse en el plan de riego de muestra de la página 9), hemos configurado el Programa A para que arranque a las 2:00 a.m. y de nuevo a las 3:00 a.m. con un intervalo de 1 día (es decir, cada día). Las estaciones 1, 2, 4 y 5 son áreas de césped de los patios delantero y trasero que reciben pleno sol durante todo el día. Cada estación funcionará durante 10 minutos por ciclo de riego hasta que complete un tiempo de riego total de 20 minutos por día. Las estaciones 3, 6 y 7 son áreas de césped sombreadas por la tarde. Estas áreas necesitan menos agua, de manera que las hemos asignado al Programa B y las hemos programado para que sean regadas una vez cada 20 minutos con un intervalo de 2 días (es decir, un día sí y otro no).

A las 2:00 a.m., arranca el ciclo de riego del Programa A. La estación 1 se activa, funciona durante 10 minutos y se desactiva. La estación 2 se activa, funciona durante 10 minutos y se desactiva. Las estaciones 4 y 5 funcionan secuencialmente de la misma manera, cada una funcionando durante su tiempo de riego establecido. Cuando la estación 5 se desactiva, el ciclo de riego se ha completado para la primera hora de arranque. A las 3:00 a.m., el ciclo de riego arranca de nuevo y repite la misma secuencia de riego de una estación a otra.

Observe que tenemos un tiempo de operación total de 40 minutos por ciclo en el Programa A. Si hubiéramos establecido la siguiente hora de arranque a las 2:30 a.m., la hora de arranque se hubiera demorado hasta las 2:40 a.m., permitiendo que el primer ciclo terminara tal como se había programado. Esta función se denomina “parada en espera de las horas de arranque” y puede ocurrir dentro de cada programa.

Los programas de riego, sin embargo, funcionan independientemente, lo que significa que dos o más programas pueden funcionar simultáneamente. En nuestro ejemplo, el Programa B también arrancará a las 2:00 a.m. Por lo tanto, las estaciones 1 y 3 se activarán al mismo tiempo, y la estación 2 se activará mientras la estación 3 está funcionando. Esta característica permite que se complete una mayor cantidad de riego dentro de la “ventana de riego” principal, la cual va generalmente desde medianoche a las 6:00 a.m.

Nota: Cuando se planea que los programas de riego funcionen simultáneamente, es importante asegurarse de que el suministro de agua tenga suficiente presión y volumen para mantener un rendimiento óptimo de los aspersores.

FORMULARIO DEL PLAN DE RIEGO (EJEMPLO)

Para su conveniencia, le proporcionamos un Formulario del Plan de Riego/Tarjeta de Referencia Rápida. Use el formulario para planear y registrar sus actividades de riego automático. Use las instrucciones de referencia rápida cuando se necesiten pequeños cambios en la programación. Mantenga la tarjeta junto con el programador, sujetándola al interior de su tapa delantera.

(Ejemplo)

Formulario del Plan de Riego		Programm A	Programm B	Programm C	Programm D
Días de la Semana					
Plan de Días de Riego	Días Impares/Pares				
Intervalo		1	2		
Horas de Arranque de los Ciclos de Riego		2 a.m., 3 a.m.	2 a.m.		
Estación	Descripción de la Estación	Tiempo de Riego de la Estación			
1	Césped delantero (sol)	10 minutos			
2	Césped delantero (sol)	10 minutos			
3	Césped lateral (sombra)		20 minutos		
4	Césped trasero (sol)	10 minutos			
5	Césped trasero (sol)	10 minutos			
6	Césped trasero (sombra)		20 minutos		
7	Césped trasero (sombra)		20 minutos		
8					
9					
10					
11					
12					
13					
14					
15					
16					
17					
18					
19					
20					
21					
22					
23					
24					

ESTABLECIMIENTO DE LA HORA Y FECHA ACTUALES

Antes de que usted pueda programar el programador para su riego automático, es necesario establecer la hora y fecha actuales en el reloj del programador. Este programador incorpora un calendario de 365 días con compensación automática para los años bisiestos. Una vez establecida la fecha, el programador mantiene actualizada la fecha y permite un riego sin problemas los días impares/pares de cada mes, según lo requieran algunas áreas. La hora y fecha se aplican a todos los programas. Para establecer la hora y fecha, siga los pasos indicados a continuación:

1. Gire el dial de funciones a la posición de **Current Time & Date** (Hora y fecha actuales). Destellarán los dígitos de la hora y **AM/PM**.
2. Oprima el botón **+** para aumentar o el botón **-** para disminuir el número de horas.
Nota: Si mantiene oprimido el botón **+** o **-**, la visualización cambiará rápidamente.
3. Oprima el botón **NEXT** (SIGUIENTE) para seleccionar los dígitos de los minutos. Use los botones **+** y **-** para establecer el minuto actual.
4. Oprima el botón **NEXT** (SIGUIENTE) para seleccionar los dígitos del año. Use los botones **+** y **-** para establecer el año actual.
5. Oprima el botón **NEXT** (SIGUIENTE) para seleccionar los dígitos del mes. Use los botones **+** y **-** para establecer el mes actual.
6. Oprima el botón **NEXT** (SIGUIENTE) para seleccionar los dígitos del día. Use los botones **+** y **-** para establecer el día calendario actual.
7. Gire el dial de funciones a la posición de **Run** (Operar) cuando haya establecido la hora y fecha actuales.

BORRADO DE CUALQUIER PROGRAMA ANTERIOR

Este proceso le permitirá borrar fácilmente de la memoria del programador toda la información de programas de riego definida por el usuario dentro de un programa individual. Este es un procedimiento opcional y puede omitirse si se desea retener la información de operación de los programas anteriores o si el programador aún no ha sido programado.

Al borrar un programa, se reposiciona la memoria a las condiciones establecidas en la fábrica: Ningún tiempo de riego para ninguna estación, ninguna hora de arranque de programa o ningún día de riego activo. El Porcentaje del Agua de Riego se establece al 100% y el Arranque de la Valvula Maestra/Bomba se establece a "Activado".

Nota: Este proceso es independiente de los demás programas y reposiciona solamente la información del programa seleccionado.

Para borrar la información de un programa seleccionado, haga lo siguiente:

1. Seleccione el Programa A, B, C o D con los botones Program (Selectores de Programas).
2. Gire el dial de funciones a la posición de Program Erase (Borrado de programas). En la pantalla aparecerá la palabra "ERASE" (BORRAR).
3. Oprima y mantenga oprimido el botón OFF hasta que aparezca la palabra "DONE" (HECHO) en pantalla.
4. Repita este procedimiento para cada programa que desee borrar.

ESTABLECIMIENTO DE LOS TIEMPOS DE RIEGO DE LAS ESTACIONES

Se asigna una estación a un programa cuando se le da a esa estación un tiempo de riego (de 1 minuto a 10 horas) en un programa. La estación puede tener solamente un tiempo de riego por programa. Además, la estación puede asignarse a cualquier número de programas y dársele un tiempo de riego diferente en cada programa.

Para establecer el tiempo de riego de cada estación:

1. Gire el dial de funciones a la posición de Station Times (Tiempos de riego de las estaciones). En la pantalla aparecerá STATION NUMBER 1 (Estación Número 1) y OFF (Desactivar) o el tiempo de riego de la estación actual.
2. Seleccione el Programa A, B, C o D con los botones Program (Selectores de Programas).
3. Oprima el botón NEXT para seleccionar el número de la estación que desee establecer (si es diferente del número que ha aparecido en pantalla).
4. Use los botones + y/o - para que aparezca en pantalla el tiempo de riego deseado para la estación indicada.

Nota: OFF es la función asignada en fábrica a cada estación. Si la estación tiene un tiempo de riego y usted desea eliminarlo de este programa, use los botones + y/o - para seleccionar OFF (que aparecerá entre 10:00 (las diez horas) y 00:01 (1 minuto)). (CONTINUACION).

5. Repita los pasos 3 y 4 para establecer un tiempo de riego para cada una de las estaciones que usted haya asignado al programa seleccionado.
6. Repita los pasos 2 a 5 para cada programa, según sea pertinente.

ACTIVACION/DESACTIVACION DE LA VALVULA MAESTRA/BOMBA

El programador Total Control permite la operación automática del circuito de salida de Arranque de la Válvula Maestra/Bomba para que sea controlado independientemente para cada programa de riego. Por ejemplo, si un programa se usa para el riego de goteo y no se necesita la bomba del sistema, el circuito de salida de Arranque de la Válvula Maestra/Bomba puede desactivarse cuando ese programa comience a operar.

El ajuste predeterminado en fábrica es ON para cada programa. Use los pasos indicados a continuación para seleccionar la operación de esta función para cada programa, según sea pertinente.

1. Gire el dial de funciones a la posición de **Station Times (Tiempos de riego de las estaciones)**.
2. Seleccione el Programa A, B, C o D con los botones **Program (Selectores de Programas)**.
3. Oprima el botón **Next** repetidamente hasta que aparezca **MASTER VALVE (VÁLVULA MAESTRA)** en pantalla.
4. Use los botones **OFF** y/o **ON** para visualizar la operación de salida de arranque de la válvula maestra/bomba para el programa seleccionado.
5. Repita los pasos 2 a 4 para cada programa, según sea pertinente.

ESTABLECIMIENTO DE LAS HORAS DE ARRANQUE DE LOS PROGRAMAS

Este procedimiento se usa para establecer las horas de arranque de los ciclos de riego de cada programa. Puede asignarse un máximo de 16 horas de arranque a los cuatro programas de cualquier manera. Cada hora de arranque iniciará un ciclo de riego secuencial para todas las estaciones con un tiempo de riego asignado en el programa.

Nota: Una vez se hayan asignado las 16 horas de arranque, aparecerá en pantalla la frase **NONE REMAINING (NO QUEDA NINGUNA)** en el caso de intentar asignar horas de arranque adicionales.

Para establecer las horas de arranque de los ciclos de programas, haga lo siguiente:

1. Gire el dial de funciones a la posición de **Program Start Times (Horas de arranque de los programas)**.
2. Seleccione el Programa A, B, C o D con los botones **Program (Selectores de Programas)**.
3. Use los botones **+ y/o -** para que aparezca en pantalla la hora de arranque deseada.
Nota: Para eliminar una hora de arranque, ajuste las horas para que aparezca en pantalla la palabra **OFF** (entre las 11:59 p.m. y las 12:00 a.m.).
4. Oprima el botón **NEXT** para asignar otra hora de arranque al programa.
5. Repita los pasos 2 a 4 para cada programa, según sea pertinente.

Nota: El programador Total Control operará un ciclo de riego en un solo programa a la vez. Si se presenta una hora de arranque mientras está funcionando un ciclo de riego, la hora de arranque se demorará hasta que se haya terminado el ciclo anterior (esto se denomina “parada en espera de las horas de arranque”). Si el ciclo de riego se extiende más allá de medianoche hacia el día siguiente, el ciclo continuará operando hasta que se termine. Sin embargo, si un ciclo de riego ha sido demorado hasta después de medianoche hacia un día que no sea de riego, el ciclo de riego no tendrá lugar.

SELECCION DE LOS DIAS DE RIEGO

Hay disponibles varias opciones de planificación de los días de riego. Cada programa de riego puede utilizar UNO de los planes siguientes:

- **Días de la semana**

Use este plan para que el riego tenga lugar en ciertos días especificados de la semana. Los días aparecen en pantalla en forma abreviada de tres letras. Por ejemplo, Sunday (Domingo) aparece como SUN (Dom), Monday (Lunes) aparece como MON (Lun), etc. Solo los días de riego que usted seleccione permanecerán en pantalla.

- **Días impares o pares**

Si desea seleccionar cada día calendario que tenga un número impar o par, use esta opción. Debido a que los días 31 y 1 de mes son impares, el día 31 se elimina automáticamente del plan. Esta opción de días de riego también permite que se eliminen del plan ciertos días seleccionados de la semana.

- **Intervalo de días**

La selección de los días de riego por Intervalo de días permite seleccionar un número específico de días entre los días de riego. Por ejemplo, si se selecciona un Intervalo de 1 día, el riego tendrá lugar cada día. Si se selecciona un Intervalo de 2 días, el riego tendrá lugar cada dos días, es decir un día sí y otro no. Si se selecciona un Intervalo de 30 días, que es el máximo intervalo, el riego tendrá lugar cada 30 días.

Otro ajuste dentro del Intervalo de días es el día actual del plan. El día actual (que aparece en pantalla como TODAY [HOY]) puede establecerse para cualquier día dentro del Intervalo. Este número aumenta automáticamente en uno cada día que pasa. Cuando el número de TODAY es igual al número del Intervalo de días, tendrá lugar un día de riego. Por ejemplo, para regar cada tercer día a partir de hoy, deberá establecerse un Intervalo de 3 días con TODAY como el día 3. O bien, para regar cada 5 días a partir de mañana, deberá establecerse un Intervalo de 5 días con TODAY como el día 4.

Para establecer un plan de días de riego para cada programa, haga lo siguiente:

1. Gire el dial de funciones a la posición de **Watering Days** (Días de riego).
2. Seleccione el Programa A, B, C o D con los botones **Program** (Selectores de Programas).
3. Establezca el día o días de riego para el programa usando uno de los tres procedimientos siguientes: Días de la semana, Días impares/pares o Intervalo de días.
4. Repita los pasos 2 y 3, según sea pertinente, para establecer un plan de días de riego para cada programa.

Días de la semana

- A. Oprima el botón **NEXT** hasta que aparezcan en la parte superior de la pantalla las abreviaturas de los días de la semana.
- B. Oprima el botón **ON**. Aparecerá destellando la palabra **SUN** (**DOM**) (abreviatura de Sunday [Domingo]).
- C. Para seleccionar el día, oprima el botón **ON**. Para eliminar el día del plan, oprima el botón **OFF**.
- D. Oprima el botón **NEXT** para seleccionar el siguiente día.
- E. Repita los pasos C y D para establecer los días restantes de la semana.

Días impares o pares

- A. Oprima el botón **NEXT** hasta que aparezcan en pantalla las frases **ODD DAYS** (DÍAS IMPARES) O **EVEN DAYS** (DÍAS PARES).
- B. Oprima el botón **ON** para seleccionar el plan deseado.

Opcional: Para eliminar ciertos días seleccionados de la semana del plan de riego de Días Impares/Pares, haga lo siguiente:

1. Oprima el botón **next** hasta que comience a destellar el día seleccionado.
2. Oprima el botón **OFF** para eliminar ese día del plan (Oprima el botón **on** para restaurar ese día al plan).

Intervalo de días

- A. Oprima el botón **NEXT** hasta que aparezca en pantalla la frase **DAY INTERVAL** (INTERVALO DE DÍAS).
- B. Oprima el botón **ON** para seleccionar esta opción.
- C. Oprima el botón **NEXT**. Aparecerá en pantalla el número del Intervalo de días (1-30).

- D. Use los botones + y/o – para seleccionar el Intervalo de días (1-30 días).
- E. Oprima el botón NEXT. Aparecerá en la pantalla del programador la palabra TODAY (HOY) y su número actual.
- F. Use los botones + y/o – para seleccionar el número deseado para hoy.

OPERACION DEL PROGRAMADOR

Esta sección incluye instrucciones para las siguientes operaciones del programador:

- Porcentaje del agua de riego
- Operaciones manuales
- Modalidades de desactivación y de demora por lluvia

PORCENTAJE DEL AGUA DE RIEGO

La función de Porcentaje del Agua de Riego permite aumentar o reducir fácilmente el tiempo de riego (por un porcentaje) de todas las estaciones asignadas a un programa seleccionado. Esta función es muy útil para efectuar ajustes temporales del tiempo de riego en todas las estaciones sin necesidad de cambiar los ajustes de los tiempos de riego originales. Los valores del Porcentaje del Agua de Riego oscilan entre 0 y 200% en incrementos de 10%, siendo 100% el ajuste normal.

Por ejemplo, a medida que se va acercando la temporada de otoño y empieza a descender la temperatura, quizás desee usted reducir los tiempos de riego de las estaciones en el programa A por 30%. Más tarde, podrá volver los tiempos de riego de estas estaciones a sus valores originales estableciendo el valor del Porcentaje del Agua de riego al 100%.

Nota: Es posible producir inadvertidamente una parada en espera de las horas de arranque cuando se aumentan los tiempos de riego de las estaciones. La planificación cuidadosa y el uso del Porcentaje del Agua de Riego impedirán que ocurra esto.

Para cambiar el valor del Porcentaje del Agua de Riego de un programa seleccionado, haga lo siguiente:

1. Gire el dial de funciones a la posición de Water Budget (Porcentaje del agua de riego).
2. Seleccione el Programa A, B, C o D con los botones Program (Selectores de Programas).
3. Use los botones + y/o – para aumentar o disminuir el valor del porcentaje (0-200%).
4. Gire el dial de funciones a la posición de Run (Operar).

Nota: En la pantalla del programador aparece el símbolo % en la posición de Run (Operar) cuando hay algún programa que está usando el Presupuesto de agua de riego. Durante la operación, aparece en pantalla el tiempo de riego ajustado.

OPERACIONES MANUALES

La operación manual permite operar estaciones individuales o arrancar programas de riego automático según sea necesario. El programador Total Control incorpora un dial de distintas posiciones para cada tipo de operación: Single Station (Estación individual) y Program Cycle (Ciclo del programa).

ESTACION INDIVIDUAL

Esta opción permite operar estaciones individuales durante un período de tiempo indeterminado (en las posiciones de On (Activar) / Off (Desactivar) o bien operarlas durante un período seleccionable desde un minuto a 10 horas).

1. Gire el dial de funciones a la posición de **Single Station (Estación individual)**.
2. Seleccione el Programa A, B, C o D con los botones Program (Selectores de Programas).

Nota: El estado programado de arranque de la válvula maestra/bomba en el programa seleccionado determina si el arranque de la válvula maestra/bomba será activado con la operación manual.

3. Use una de las siguientes opciones para operar la estación.

Para una operación de duración indeterminada:

- A. Oprima el botón **NEXT** para que aparezca en pantalla la estación que desee operar.
- B. Oprima el botón **ON**. La estación se activará y permanecerá activada hasta que ocurra una de las circunstancias siguientes:
 - Se oprime el botón **OFF**
 - El reloj del programador pasa medianoche
 - El dial de funciones se gira a otra posición

Para una operación de duración determinada:

- A. Oprima el botón **NEXT** para que aparezca en pantalla la estación que desee operar.
- B. Use los botones **+** y/o **-** para establecer la duración deseada del tiempo de riego de la estación (para esta operación solamente), desde un minuto a 10 horas.
- C. Para seleccionar la operación en secuencia de estaciones adicionales, repita los pasos A y B. Cada estación operará de una en una en el orden en que se seleccionaron.
- D. Deje el dial de funciones en la posición de **Single Station (Estación individual)** hasta que se haya completado la operación manual y luego gire el dial a la posición de **Run (Operar)**.

CICLO DEL PROGRAMA

Use esta función para poder operar manualmente los programas de riego. Podrá operar el programa completo o empezar en cualquier lugar dentro de la secuencia de estaciones del programa.

Nota: Durante el ciclo de riego del programa, sólo operarán las estaciones que tienen un tiempo de riego asignado en el programa.

1. Gire el dial de funciones a la posición de **Program Cycle (Ciclo del programa)**.
2. Seleccione el Programa A, B, C o D con los botones **Program (Selectores de Programas)**.
3. Oprima el botón **NEXT** para seleccionar la primera estación de la secuencia de riego (si aparece en pantalla un número diferente del de la estación que desee seleccionar).
4. Oprima el botón **ON** para arrancar el ciclo de riego. El riego comenzará con la estación seleccionada y ésta será seguida por todas las estaciones subsiguientes. En la pantalla aparecerá el tiempo de riego que queda para la estación que está operando.

Nota: Podrá avanzar a través de las estaciones oprimiendo el botón **NEXT** para pasar a la estación siguiente. Para terminar la operación en cualquier momento, oprima el botón **OFF**.

5. Deje el dial de funciones en la posición de **Program Cycle (Ciclo del programa)** hasta que se haya completado la operación manual y luego gire el dial a la posición de **Run (Operar)**.

DESACTIVACION Y DEMORA POR LLUVIA

Use esta función para detener la operación del programador durante períodos de tiempo indeterminados (Modalidad de Desactivación) o durante un número seleccionado de días (Modalidad de Demora por lluvia).

Desactivación del programador

Al girar el dial de funciones a la posición de **Rain Off (Desactivación por lluvia)** se colocará el programador en la modalidad de Desactivación. Después de una demora de 2 segundos, se detendrá cualquier actividad de riego actual y se suspenderán todas las actividades subsiguientes de los programas de riego. Siempre que el dial se encuentre en la posición de **Rain Off**, el programador permanecerá en la modalidad de Desactivación. El reloj del programador continuará actualizando la hora y fecha actuales y toda la información de los programas de riego quedará suspendida mientras el programador se encuentre en la modalidad de Desactivación. Se reanuda la operación normal del programador con sólo girar el dial de funciones a cualquier otra posición.

Uso de la modalidad de Demora por lluvia

La modalidad de Demora por lluvia permite que el riego automático se demore durante un período de 1 a 7 días. Al terminarse el período de demora seleccionado, el programador reanuda su operación automática (CONTINUACION).

Para establecer un período de Demora por lluvia

1. Gire el dial de funciones a la posición de Rain Off (Desactivación por lluvia).
2. Use los botones + y/o – para seleccionar el número de días (1 a 7) en que ha de demorarse la operación.
3. Gire el dial de funciones a la posición de Run (Operar).

Aparecerá en pantalla el número de días que quedan en el período de demora. El número de días disminuirá automáticamente en un dígito cada vez que el reloj pase medianoche. La operación automática se reanudará cuando ya no quede ningún día de demora en la pantalla.

Nota: El programador podrá operarse manualmente mientras se encuentra en la modalidad de Demora por lluvia.

Para cancelar la modalidad de Demora por lluvia:

1. Gire el dial de funciones a la posición de Rain Off (Desactivación por lluvia).
2. Oprima el botón – hasta que no quede ningún día de demora en la pantalla.
3. Gire el dial de funciones a la posición de Run (Operar).

PROCEDIMIENTOS DE INSTALACION

Esta sección incluye instrucciones para el montaje del armario del programador y efectuar las conexiones del cableado necesarias. Para asegurar una operación segura, es importante seguir las instrucciones meticulosamente. Los siguientes procedimientos incluyen:

- Selección del sitio de instalación
- Montaje del programador
- Instalación de los conductos de cables
- Conexión del cableado de campo
- Conexión de un sensor del interruptor por lluvia opcional
- Conexión de un relé de arranque de la bomba opcional
- Conexión a tierra
- Conexión de los cables de alimentación eléctrica

SELECCION DEL SITIO DE INSTALACION

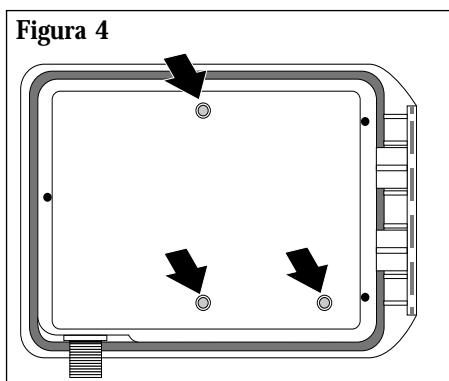
La selección de un sitio de instalación apropiado para el programador es esencial para su operación segura y confiable. El programador Total Control incluye una caja resistente a la intemperie diseñada para usarse tanto en el interior como en el exterior.

Para poderlo operar fácilmente y ver mejor su pantalla, instale el programador de manera que la pantalla se encuentre al nivel, o algo por debajo, de los ojos.

El programador deberá instalarse en una pared vertical, u otra estructura robusta, cerca de una fuente de energía eléctrica trifilar dotada de conexión a tierra. Seleccione un lugar que proporcione sombra al programador durante las horas más calientes del día y lo proteja tanto como sea posible contra su exposición directa al sol, lluvia, viento y nieve. NO monte el programador en donde esté expuesto a la aspersión directa del sistema de riego.

MONTAJE DEL PROGRAMADOR

1. Coloque la plantilla de montaje (provista) sobre la pared y posicione el área de la pantalla del programador (marcada en la plantilla) al nivel, o algo por debajo, de los ojos. Con ayuda de un pequeño punzón o clavo, marque las posiciones de los orificios de montaje en las partes superior e inferior de la línea central y del orificio inferior adicional en el caso de desearse un soporte adicional del armario.
2. Taladre en la pared orificios piloto que tengan por lo menos una profundidad de 32 mm con ayuda de una broca de 2,5 mm de grosor para barrotes de madera o de 6,5 mm para mampostería.
3. Para su instalación en paredes de mampostería solamente, introduzca anclajes de plástico para los tornillos en los orificios piloto.
4. Abra la puerta de la caja y gire hacia afuera el módulo de control oprimiendo hacia adentro el pestillo de liberación.
5. Una vez la puerta de la caja y el módulo de control estén en posición abierta, invierta el programador de manera que su cara descansa sobre una superficie de trabajo lisa y limpia.
6. Con ayuda de un taladro y una broca de 5 mm, taladre con cuidado orificios a través del centro de los localizadores de los orificios de montaje en la parte trasera de la caja del programador. Vea la **Figura 4**.
7. Alinee los orificios de montaje de la caja con los orificios piloto de la pared. Con ayuda de los tornillos de cabeza phillips No. 10 x 1" (4x25 mm) de longitud, asegure firmemente la caja a la pared.



INSTALACION DE LOS CONDUCTOS DE CABLES

Nota: El conducto de cables eléctricos y los adaptadores no se suministran con el programador pero pueden necesitarse para la instalación del programador en el sitio. Consulte los códigos eléctricos locales e instale el conducto de cables de acuerdo con las especificaciones.

1. Para los cables de alimentación eléctrica, instale una caja de conexiones roscada del conducto de cables al niple de rosca 1/2" NPT del conjunto transformador. Desde la caja de conexiones del conducto instale un conducto de cables hasta el punto de origen de la conexión. (Modelos nacionales e internacionales solamente).
2. Para los cables de campo (bajo voltaje), instale un adaptador de conducto y un conducto de cables de 38 mm.

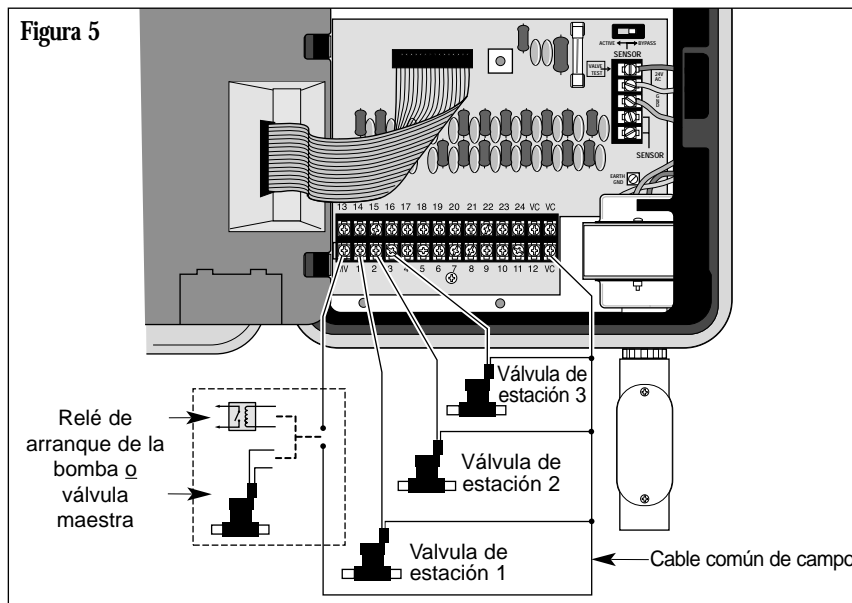
CONEXION DEL CABLEADO DE CAMPO

1. Para proveer un cable común de campo, acople un cable a uno cualquiera de los cables del solenoide de todas las válvulas de los aspersores y de la válvula maestra (opcional).
2. Acople un cable de control separado al otro cable del solenoide de cada válvula. Rotule los cables de control con el número de la estación a que se destinen para su identificación en el programador.

Precaución: Todos los empalmes de cables deben ser impermeables para evitar cortocircuitos y corrosión.

Precaución: A cada estación puede conectarse una carga máxima de 12 VA (0,5 A). Puede programarse una carga máxima (incluyendo la válvula maestra) de 30 VA (1,25 A) para operar simultáneamente. El programador podrá dañarse si se excede de estos límites.

3. Dirija todos los cables de campo hacia la caja del programador a través de la abertura de acceso de 38 mm. Retire aproximadamente 13 mm de aislamiento de los extremos de cada cable.
4. Acople el cable común de campo uno de los tres terminales comunes de válvula provistos (rotulados "VC").
5. De acuerdo con la **Figura 5**, conecte el cable de control de cada válvula al terminal del número de estación apropiado. Si se ha instalado una válvula maestra opcional, conecte su cable de control al terminal rotulado "MV". Apriete a fondo todos los tornillos de los terminales.



Procedimientos de Instalación

CONEXION DE UN RELE DE ARRANQUE DE LA BOMBA

Cuando una bomba ha de ser operada por el programador, deberá usarse un relé compatible. La bobina del relé se conectará al terminal de la válvula maestra (MV) y deber estar homologada para 24 V c.a. a 0,5 A como máximo. Los contactos del relé se conectarán a los terminales de arranque de la bomba y deben estar homologados para usarse con esa bomba en particular.


Nota: Es probable que se necesiten supresores de corrientes transitorias a través de los contactos del relé en instalaciones que usen bombas de gran tamaño.

Precaución: No conecte el terminal de salida de la válvula maestra directamente a los terminales de arranque de la bomba, pues esto dañaría al programador.

Para conectar el relé de arranque de la bomba:

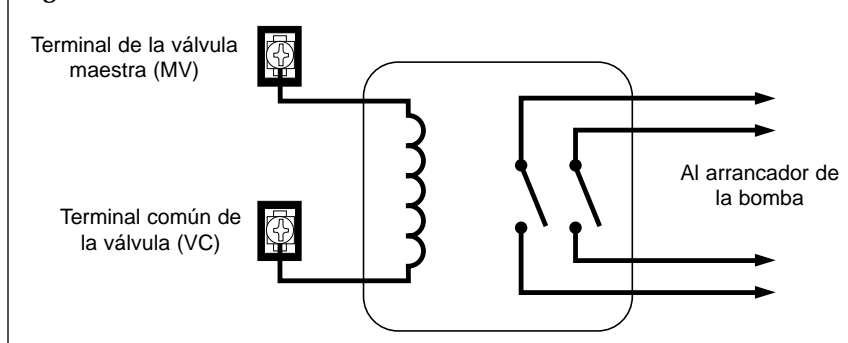
1. Conecte el terminal de salida de la válvula maestra (MV) a uno de los lados de la bobina del relé.
2. Conecte el otro lado de la bobina del relé al terminal común de la válvula. Vea las Figuras 5 y 6.

ADVERTENCIA



La conexión apropiada de la bomba y de los contactos del relé depende de la configuración de la bomba y puede involucrar **ALTO VOLTAJE**. Esta conexión debe ser efectuada por un contratista eléctrico licenciado de conformidad con todos los requisitos del Código Eléctrico Nacional, así como con los códigos estatales y locales y las recomendaciones del fabricante de la bomba.

Figura 6



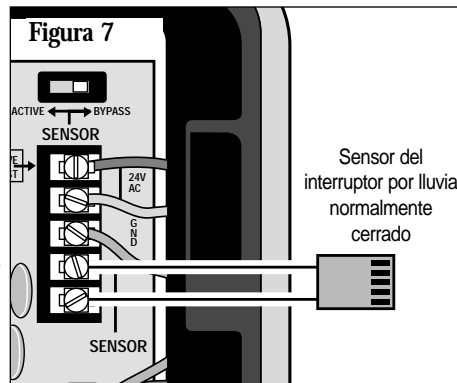
CONEXION DEL SENSOR DEL INTERRUPTOR POR LLUVIA

El programador Total Control ha sido diseñado para usarse con un sensor de lluvia o “Interruptor por lluvia” normalmente cerrado. (Vea la página 6 para una importante información adicional sobre el interruptor por lluvia).

Para conectar el sensor del interruptor por lluvia, haga lo siguiente:

1. Dirija los dos cables del sensor hacia la caja a través de la abertura de acceso para el cable de campo.
2. Conecte los cables a los terminales de la regleta marcada “SENSOR” en cualquier orden. Vea la **Figura 7**.

Nota: Consulte las instrucciones de instalación provistas con el sensor para obtener información adicional.



CONEXIÓN A TIERRA

Un sobrevoltaje transitorio es un aumento repentino de voltaje en la línea principal de alimentación eléctrica. A menudo va seguido de una reducción de voltaje mientras el equipo de la línea de alimentación eléctrica trata de proteger a los usuarios del área. La caída de un relámpago sobre la red de energía eléctrica es la causa más común de sobrevoltajes transitorios, los cuales pueden causar daños al programador. El tablero de circuitos impresos del programador Total Control incorpora una protección contra sobrevoltajes para reducir la posibilidad de daños, desviándolos hacia tierra. Por lo tanto, un paso importante en el procedimiento de instalación es la provisión de una conexión apropiada del programador a una buena tierra, especialmente si el programador se encuentra en un área propensa a los relámpagos.

Precaución: Los componentes de protección contra el sobrevoltaje incorporados no pueden proteger efectivamente los circuitos del programador contra tales voltajes excesivos a menos que se provea una buena conexión a tierra.

Para efectuar una conexión a tierra:

1. Dirija un cable de cobre sólido de 2,0 a 1,0 mm² de espesor a lo largo de la ruta más directa posible desde la orejeta marcada “EARTH GND” (Tierra), que se encuentra en el tablero de terminales del programador (vea ítem 21 en la página 3), hacia una buena tierra, tal como una tubería de agua de metal (que no sea de plástico) o una varilla especial revestida de cobre clavada en el suelo.
2. Acople firmemente el cable desnudo a la tubería o varilla clavada en el suelo. Asegúrese de que el área de contacto del cable esté libre de suciedad y corrosión.

CONEXION DE LOS CABLES DE ALIMENTACION ELECTRICA

El programador incorpora un transformador que debe conectarse a una fuente de energía eléctrica trifilar con tierra de 120 V c.a. (nacional), 230 V c.a. (internacional) o 240 V c.a. (Australia).



ADVERTENCIA

Todos los componentes eléctricos deben satisfacer los códigos eléctricos aplicables tanto nacionales como locales y deben ser instalados por un personal calificado.

Estos códigos pueden estipular el uso de una caja de empalmes externa montada en el niple del transformador y un dispositivo de desconexión en el cableado fijo de suministro de corriente alterna que tenga una separación entre contactos de 3 mm como mínimo en los polos de la línea y neutro.

Asegúrese de que la unidad de suministro de corriente alterna esté en la posición de OFF (Apagada) antes de conectarla al programador.

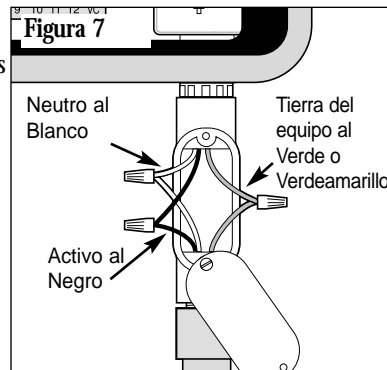
El cable usado para la conexión del programador debe tener un aislamiento homologado para resistir una temperatura de 105° C como mínimo.

Precaución: No conecte el programador a una fase de un sistema eléctrico trifásico utilizado por una bomba u otro equipo eléctrico.

1. Asegúrese de haber desconectado la corriente en la fuente de alimentación eléctrica.
2. Dirija el cable activo de c.a. y el cable de tierra del equipo a través del conducto de cables hasta el programador.
3. Utilizando un método de empalme de cables apropiado, conecte el cable Activo (Línea 1) al cable Negro, el cable Neutro (Línea 2) al cable Blanco y el cable de Tierra del equipo al cable Verde o Verde/Amarillo.

Nota: El método de empalme de cables mostrado en la **Figura 7** se aplica solamente a la instalación de programadores en Estados Unidos. Para la instalación internacional de programadores, consulte las especificaciones de los códigos eléctricos pertinentes para el método de empalme apropiado. Para la instalación de programadores en Australia, conecte el cable activo a un receptáculo de 240 V c.a. dotado de conexión a tierra.

4. Cierre y asegure la tapa de la caja de conexiones del conducto de cables. Aplique energía eléctrica al programador.



LOCALIZACION DE AVERIAS

❖ Error	Solución
❖ Todas las válvulas no se activan automáticamente	<ol style="list-style-type: none">1. Verifique el programa: tiempo de riego de la estación, horas de arranque de riego, plan de los días de riego, hora actual, día actual, porcentaje del agua de riego y demora por lluvia.2. Inspeccione el cable común de las válvulas para ver si las conexiones son correctas.3. Compruebe si hay alguna estación cortocircuitada; consulte4. “Cómo funciona el disyuntor de circuito electrónico” en la página 5.5. Asegúrese de que el sensor de lluvia (si estuviera instalado) esté conectado apropiadamente y sensor funcione correctamente. Si no hay ningún de lluvia instalado, asegúrese de que el INTERRUPTOR DEL SENSOR esté en la posición de BYPASS (ANULACIÓN).6. Inspeccione el fusible y reemplácelo en caso necesario, Vea la página 27.
❖ No se puede programar	<ol style="list-style-type: none">1. Desconecte la alimentación eléctrica al programador durante 1 minuto. Reconecte la alimentación eléctrica y reprogramelo.2. Instale una nueva pila alcalina de 9 voltios.3. Verifique que todas las 16 horas de arranque no sean usadas por otros programas.
❖ El programador pasa por alto un ciclo	<ol style="list-style-type: none">1. Verifique las horas de arranque de riego, la hora actual y el plan de los días de riego.
❖ No hay imagen en la pantalla	<ol style="list-style-type: none">1. Inspeccione la fuente eléctrica para ver si el disyuntor de circuito ha sido disparado.2. Si se ha retirado el módulo de programas, ésta es una característica normal para ahorrar la corriente de la pila. Gire el dial a cualquier posición para reactivar la pantalla.3. Desconecte la alimentación eléctrica del programador durante 1 minuto. Reconecte la alimentación eléctrica y reprogramelo.4. Reemplace la pila.5. Inspeccione el fusible y reemplácelo en caso necesario, Vea la página 27.

❖ Error	Solución
❖ Una válvula permanece activada	<ol style="list-style-type: none"> 1. Verifique los tiempos de riego de la estación y el porcentaje del agua de riego. 2. Seleccione la modalidad Manual; gire el dial a la posición de Run (Operar). 3. Desconecte el cable de la válvula. Si todavía permanece activada, la válvula tiene un malfuncionamiento. 4. Verifique el cierre de purga manual en la válvula.
❖ Una válvula no se activa	<ol style="list-style-type: none"> 1. Asegúrese de que el dial no esté en la posición de Rain Off (Desactivación por lluvia) o que la modalidad de Demora por lluvia no esté activada. 2. Verifique el programa: tiempo de riego de la estación, horas de arranque de riego, plan de los días de riego, hora actual, día actual y porcentaje del agua de riego. 3. Asegúrese de que el cable común y el cable de la válvula estén conectados correctamente. 4. Compruebe si hay alguna estación cortocircuitada; vea la página 5. 5. Si se usa un sensor, compruebe el sensor. 6. Vea si hay algún fusible fundido. Reemplácelo en caso necesario. Vea la página 27 para información sobre el reemplazo de fusibles.
❖ Aparece en pantalla “Short” (Cortocircuito) o “Master Valve” (Válvula maestra)	<ol style="list-style-type: none"> 1. Vea “Cómo funciona el disyuntor de circuito electrónico” en la página 5 para mayor información sobre la localización de averías.
❖ El riego tiene lugar con demasiada frecuencia	<ol style="list-style-type: none"> 1. Se han establecido demasiadas horas de arranque para los programas. Inspeccione cada programa para determinar el número de horas de arranque y retire las que no sean necesarias.

REEMPLAZO DEL FUSIBLE



ADVERTENCIA

Si es necesario reemplazar el fusible, use solamente fusibles que sean del mismo tipo y amperaje. La falta de cumplir con este requisito puede ocasionar serias lesiones personales y/o daños a los equipos como resultado de posibles incendios.

1. Desconecte la alimentación eléctrica del programador.
2. Extraiga cuidadosamente el fusible (ítem 17 en la página 3) de sus clips de sujeción.
3. Instale un nuevo fusible de 2,0 A de fusión lenta, asegurándose de que esté firmemente asentado dentro de ambos clips de sujeción.
4. Restaure la alimentación eléctrica al programador.

ESPECIFICACIONES

Caja: De plástico, resistente a la intemperie, para interiores y exteriores, montado en la pared con tapa cerrable con llave

Dimensiones: 26,7 cm de ancho x 21,3 cm de alto x 12,7 cm de profundidad

Cableado/Conductos para el cableado: Cableado de alimentación eléctrica - Niple de 1/2" NPT Cableado de campo: Caja de acceso del conducto de 38 mm de diámetro

Especificaciones de la alimentación eléctrica, Modelo Nacional (EE.UU.) (TC-24EX-B):

Entrada: - 120 V c.a., 60 Hz, 0,5 A

Salida: - 24 V c.a., 60 Hz, 1,25 A (máximo total), 0,5 A (máximo por estación)

Especificaciones de la alimentación eléctrica, Modelo Internacional (TC-24EX-B-50-E):

Entrada - 230 V c.a., 50 Hz, 0,5 A

Salida - 24 V c.a., 50 Hz, 1,25 A (máximo total), 0,5 A (máximo por estación)

Especificaciones de la alimentación eléctrica, Modelo Australiano (TC-24EX-B-50-A):

Entrada - 240 V c.a., 50 Hz, 0,5 A

Salida - 24 V c.a., 50 Hz, 1,25 A (máximo total), 0,5 A (máximo por estación)

Entrada del sensor: Interruptor por lluvia normalmente cerrado (se suministra interruptor de cierre)

Salida del relé de arranque de la valvula maestra/bomba: 24 V c.a., 0,5 A (máximo)

Pila: Alcalina de 9 voltios

Fusible: 250 V, 2 A, de fusión lenta

Especificaciones de los límites de temperatura:

Operación - 0°C a 60°C

Almacenamiento - -30°C a 65°C

Compatibilidad electromagnética

Nacional (EE.UU.): Este equipo genera y usa energía de radiofrecuencia y si no se instala y utiliza correctamente, es decir, de acuerdo con las instrucciones del fabricante, puede causar interferencias a la recepción de radio y televisión. Se ha comprobado este equipo y determinado que cumple con las limitaciones exigidas por la FCC en los dispositivos de computación de la Clase B, de conformidad con las especificaciones indicadas en la Subparte J de la Parte 15 de las Reglas de la FCC, las cuales han sido diseñadas para proporcionar una protección razonable contra tales interferencias en una instalación residencial. Sin embargo, no hay garantía alguna de que no se producirán interferencias en una instalación dada. Si este equipo ocasiona interferencia a la recepción de radio o televisión, lo cual puede determinarse encendiendo y apagando el equipo, sugerimos que el usuario trate de corregir la interferencia tomando una o más de las medidas siguientes:

- Reorientar la antena de recepción.
- Cambiar de lugar el programador de riego con respecto al receptor.
- Mover el programador de riego lejos del receptor.
- Enchufar el programador de riego a un enchufe diferente de manera que el programador y el receptor estén enchufados a circuitos diferentes.

En caso necesario, el usuario deberá consultar al concesionario o a un técnico experto en radio/televisión para recibir sugerencias adicionales. El siguiente folleto preparado por la Comisión Federal de Comunicaciones puede ser de utilidad al usuario:

"How to Identify and Resolve Radio-TV Interference Problems".

(Cómo identificar y resolver los problemas de interferencia en la radio/televisión)

Este folleto podrá obtenerlo escribiendo a

U.S. Government Printing Office,

Washington, DC 20402.

Stock No. 004-000-00345-4.

Internacional: Este es un producto CISPR 22 de la Clase B.

Asistencia técnica:

U.S.A.:

P.O. Box 489

Riverside, California 92502

Tel: (800) 634-8873

(909) 785-3623

Europe:

Irritrol Systems Europe s.p.a.

Via dell'Artigiano 1/3-Loc Prato della Corte

00065 Fiano Rome (Roma) Italy

Tel: (39) 0765 455201

Australia:

Irritrol Systems PTY Ltd.

53 Howards Road

Beverley SA 5009

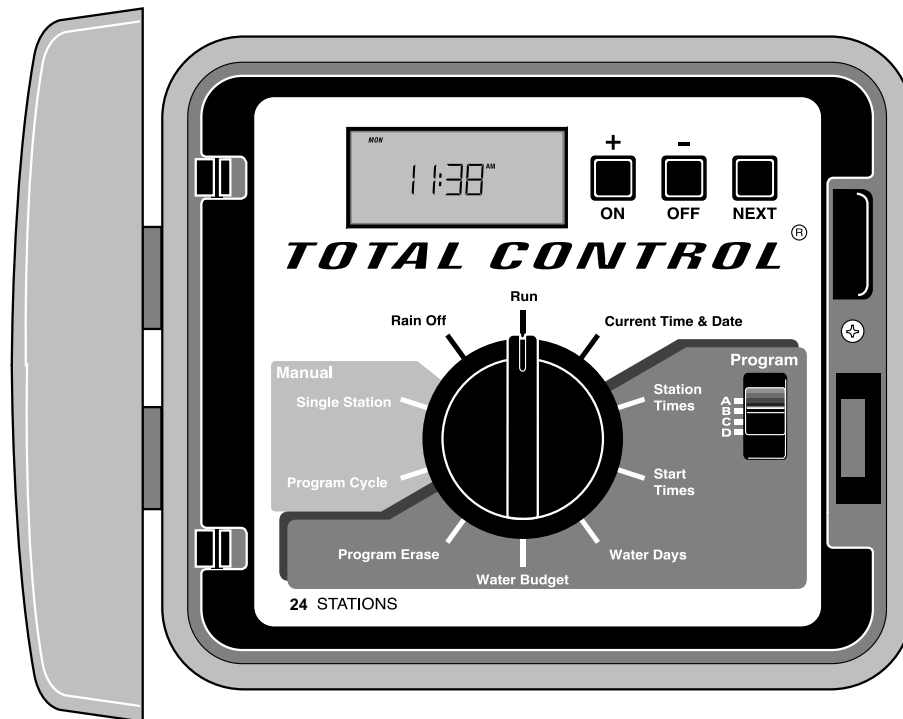
Tel: (08) 8300 3633

Irritrol[®]
SYSTEMS



TOTAL CONTROL™

PROGRAMMATEUR 24 VOIES



Guide d'emploi

CARACTÉRISTIQUES

Nous vous remercions d'avoir choisi le programmeur 24 voies Total Control. La liste suivante indique certaines caractéristiques importantes qu'il convient de connaître avant de commencer la programmation. La mise en oeuvre de chacun de ces aspects est reprise en détail dans les pages qui suivent.

- Quatre programmes totalement indépendants et pouvant fonctionner simultanément
- Définition de calendrier de jours d'arrosage en fonction des jours de la semaine, des jours impairs-pairs (avec option de suppression de jour) ou d'un intervalle de 1 à 30 jours
- Calendrier de 365 jours avec correction automatique pour les années bisextiles
- Seize heures de démarrage total pouvant s'appliquer dans tout programme
- Protection contre le chevauchement des heures de démarrage au sein de chaque programme
- Durée de fonctionnement des voies réglable de 0 minute à 10 heures par incréments de 1 minute
- Fonction d'effacement des infos programme sélectionnable par programme
- Mémoire programme rémanente conservant les informations de programmation jusqu'à 30 ans sans alimentation
- Pile de secours (1 pile alcaline de 9 V) pouvant garder l'heure et la date pendant plus de 2000 heures consécutives en cas de panne de courant
- Ajustement des durées d'arrosage (budget eau) de 0 à 200 % par incréments de 10 %.
- Suspension pluie programmable jusqu'à 7 jours
- Auto-diagnostic à coupe-circuit électronique identifiant et annulant les voies défectueuses
- Démarrage de pompe/vanne principale sélectionnable par programme
- Fonctionnement manuel intégral par voie et par programme
- Connexion de commutateur de capteur pour fonctionnement avec tout pluviomètre à commutateur normalement fermé
- Commande à curseur permettant d'annuler-remplacer le capteur du pluviomètre
- Conception modulaire facilitant la programmation, l'installation et l'entretien-réparation

Pour tirer parti de toutes les fonctionnalités de Total Control, lisez le Guide d'emploi en totalité avant de programmer ou d'installer votre nouveau programmeur.

TABLE DES MATIÈRES

Caractéristiques	<i>i</i>
Éléments du programmeur	2-3
Informations générales	4-6
Fonctionnement du système de secours.....	4
Fonctionnement du coupe-circuit électronique	5
Fonctionnement du capteur.....	6
Configuration du programmeur	7-15
Mise en route.....	7-9
Réglage de l'heure et de la date courantes.....	10
Effacement des programmes antérieurs.....	11
Réglage de la durée de fonctionnement des voies.....	11
Démarrage (oui-non) de pompe/vanne principale	12
Établissement des heures de démarrage de programme	12-13
Sélection des jours d'arrosage.....	13-15
Exploitation du programmeur	15-18
Budget eau	15
Exploitation en mode manuel.....	16
Modes d'arrêt et de suspension pluie	17-18
Procédures d'installation	19-24
Sélection d'un lieu d'installation.....	19
Montage du programmeur	20
Installation des gaines électriques.....	20
Connexion du câblage réseau	21
Connexion d'un relais de démarrage de pompe	22
Connexion d'un capteur pour interruption en cas de pluie.....	23
Connexion d'un circuit de terre	23
Connexion des fils d'alimentation.....	24
Dépannage	25-26
Changement de fusible	27
Fiche technique	28

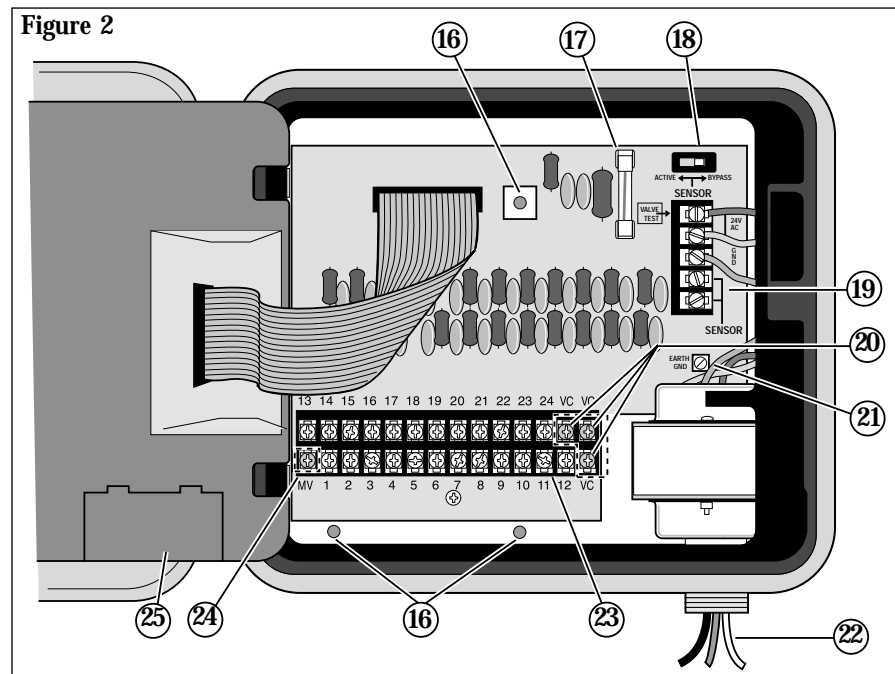
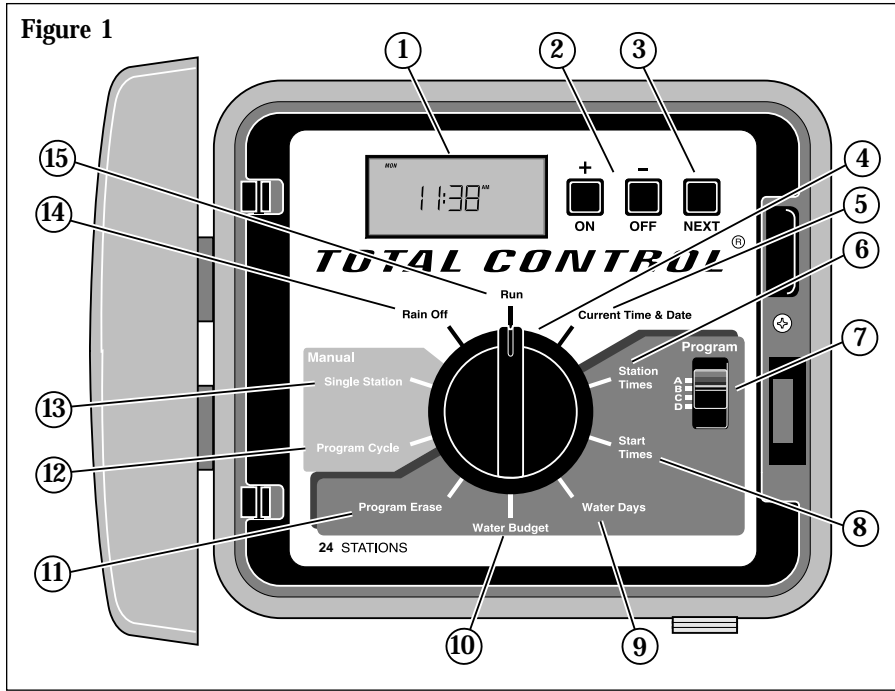
ÉLÉMENTS DU PROGRAMMATEUR

▲ FIGURE 1

- 1 **Ecran à cristaux liquides** : affichage des informations d'heure, de programme et d'état
- 2 **Boutons + / On (Oui) et - / Off (Non)** : entrée des informations programme
- 3 **Bouton Next (Suivant)** : sélection des informations à programmer ou à examiner
- 4 **Sélecteur cadran de fonction** : sélection des fonctions de programmation et d'exploitation
- 5 **Current Time/Date (Heure/date courantes)** : réglage de l'heure et de la date courantes
- 6 **Station Times (Durées voies)** : réglage individuel de la durée de fonctionnement de chaque voie
- 7 **Sélecteur Program (Programme)** : sélection des programmes A, B, C ou D
- 8 **Start Times (Heures de démarrage)** : définition de l'heure de démarrage de chaque cycle d'arrosage
- 9 **Water Days (Jours d'arrosage)** : établissement d'un calendrier de jours d'arrosage pour chaque programme
- 10 **Water Budget (Budget eau)** : augmentation ou réduction de la durée de fonctionnement pour toutes les voies d'un programme sans modification du programme en mémoire
- 11 **Program Erase (Effacement de programme)** : suppression des informations d'un programme sélectionné
- 12 **Manual Program Cycle (Manuel - Cycle programme)** : mise en marche manuelle du cycle d'arrosage d'un programme sélectionné
- 13 **Manual Single Station (Manuel - Voie individuelle)** : fonctionnement d'une voie donnée pendant un temps prédéterminé ou non
- 14 **Rain Off (Arrêt pluie)** : arrêt immédiat de toutes les sorties du programmateur. Retardement de ces sorties programmable de 1 à 7 jours (Rain Delay - [Suspension pluie])
- 15 **Run (Marche)** : fonctionnement automatique

▲ FIGURE 2

- 16 **Trous de montage** : orifices pour montage mural du programmateur
- 17 **Fusible de sûreté** : fusible 2 A remplaçable à action lente protégeant contre les courts-circuits internes
- 18 **Interrupteur de pluviomètre** : permettant d'annuler-remplacer les entrées provenant du pluviomètre
- 19 **Bornes de connexion de pluviomètre** : connexion d'un pluviomètre facultatif (à circuit normalement fermé)
- 20 **Bornes pour fil commun de vanne** : connexion de 1 à 3 fils communs réseau (24 V)
- 21 **Plot de mise à la terre** : connexion à la terre d'un fil de terre en cuivre de calibre 16 à 12 (1 à 2 mm²)
- 22 **Raccord pour gaine NPT 127 multimédia (1/2")** : connexion d'une gaine électrique pour les câbles d'alimentation
- 23 **Bornes pour fils de vanne** : connexion des fils de commande de vanne
- 24 **Bornes de vanne principale** : connexion des fils de vanne principale ou de commande d'un relais de départ de pompe
- 25 **Compartment à pile** : accès à la pile alcaline 9 V



Éléments du Programmeur

INFORMATIONS GÉNÉRALES

Cette section présente des informations générales sur :

- le fonctionnement du système de secours
- le fonctionnement du coupe-circuit électronique
- le fonctionnement du capteur

FONCTIONNEMENT DU SYSTÈME DE SECOURS

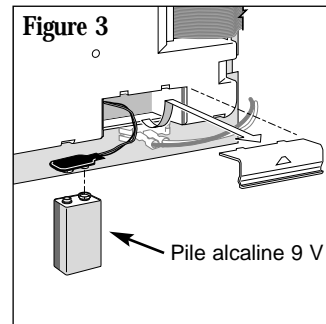
Le Total Control utilise une mémoire rémanente pour stocker les programmes d'arrosage. Ce type de mémoire empêche que les informations des programmes d'arrosage ne soient perdues en cas de panne de courant. La mémoire rémanente présente en outre l'avantage de rendre inutile un programme de sauvegarde installé en usine, ce qui évite les possibilités de fonctionnement accidentel.

Etant donné que l'heure et la date courantes changent sans arrêt, seule la date la plus récente peut être enregistrée dans la mémoire rémanente. Par conséquent, une pile est nécessaire pour garder l'heure et la date exactes en cas de panne de courant. Une pile alcaline 9 V (non comprise) peut garder l'heure et la date pendant 90 jours en cas de panne de courant. Dans une installation type, la pile devrait durer de 2 à 4 ans avant de devoir être changée. Une fois la pile ou l'alimentation secteur connectée, il est possible de programmer totalement le fonctionnement du Total Control.

Remarque : pour que les vannes fonctionnent, il faut que le système soit alimenté en courant alternatif.

Pour installer la pile :

1. Déverrouillez l'ensemble module de commande à charnière et basculez-le avec soin vers l'extérieur pour l'ouvrir.
2. Repérez le couvercle du compartiment à pile au bas du module et enlevez-le. Voir **figure 3**.
3. Connectez une pile alcaline 9 V à la plaquette à bornes.
4. Insérez la pile dans le compartiment et replacez le couvercle.



Attention : Les piles contiennent des produits dangereux. Traitez et jetez les piles conformément aux recommandations du fabricant.

FONCTIONNEMENT DU COUPE-CIRCUIT ÉLECTRONIQUE

Le programmeur comporte un coupe-circuit électronique. Si le programmeur détecte un court-circuit, la ou les voies concernées sont automatiquement désactivées. Le message "SHORT" (Court-circuit) clignote à l'écran, suivi du numéro de la voie ou du terme "MASTER VALVE" (Vanne principale). Le programmeur continue à assurer le fonctionnement des autres voies et des programmes d'arrosage suivants jusqu'à ce que la voie en court-circuit soit réparée. En cas de court-circuit de la vanne principale, le programme est annulé. A chaque démarrage automatique, le programmeur essaye de lancer un autre cycle et revérifie la vanne touchée par le court-circuit. La liste suivante indique les principaux cas d'activation du coupe-circuit électronique. Une fois le problème corrigé, procédez comme suit pour rétablir le fonctionnement normal du programmeur :

1. Réglez le cadran sélecteur sur l'une des positions suivantes : Run (Marche), Manual-Single Station (Manuel - Voie individuelle) ou Manual-Program Cycle (Manuel - Cycle programme).
2. Appuyez sur le bouton OFF (Arrêt) pour remettre le programmeur en mode de fonctionnement normal.

Cas : Le mot "SHORT" (Court-circuit) apparaît, suivi du numéro d'une ou plusieurs voies.

Diagnostic : Une ou plusieurs voies sont court-circuitées.

Solution : Vérifiez le câblage des voies indiquées afin de déceler la cause du court-circuit. Apportez les réparations nécessaires à la ou aux vannes et/ou au câblage.

Diagnostic : Trop de vannes fonctionnent en même temps, ce qui cause une surcharge.

Solution : Vérifiez les programmes d'arrosage afin d'identifier les voies qui fonctionnent en même temps, y compris, le cas échéant, le relais de démarrage de pompe/vanne principale. La sortie totale maximale est de 24 Vc.a. à 1,25 A. Réduisez le nombre de voies fonctionnant en même temps.

Cas : Le mot "SHORT" (Court-circuit) apparaît sans numéros de voie.

Diagnostic : Un court-circuit s'est produit pendant une période trop brève pour que le programmeur puisse identifier la voie.

Solution : Vérifiez tout le câblage des vannes afin de vous assurer que l'isolant ne présente pas de déchirures susceptibles de provoquer un court-circuit entre une sortie de voie et un fil commun.

Diagnostic : Une pointe de tension transitoire s'est produite.

Solution : Réinitialisez le programmeur.

Diagnostic : Il y a eu un court-circuit ou une surcharge pendant un cycle d'arrosage, mais pas pendant le cycle suivant.

Solution : Vérifiez le câblage des vannes afin de vous assurer qu'il n'y a pas de connexions desserrées et/ou que l'isolant ne présente pas de déchirures.

FONCTIONNEMENT DU CAPTEUR

Le Total Control est conçu pour fonctionner avec un capteur de pluie (pluviomètre) facultatif afin d'empêcher le fonctionnement automatique du programmeur quand il pleut.

Le pluviomètre est un appareil simple, généralement installé sur un bord de toit ou autre structure fixe exposée à la pluie et au soleil mais à l'abri de l'eau d'arrosage.

En cas de pluie, l'interrupteur pluviométrique normalement fermé détecte l'humidité et ouvre le circuit commun des vannes, ce qui coupe toutes les sorties vers le réseau. La partie "programmation électronique" du programmeur est isolée du pluviomètre et continue à fonctionner de la manière programmée. Lorsque la pluie cesse et que l'interrupteur pluviométrique repasse à son état normalement fermé, le circuit commun des vannes est rétabli et l'arrosage reprend tel que programmé.

Un interrupteur de capteur à deux positions (voir poste 18, page 3) est prévu pour vous permettre de facilement désactiver la fonction du pluviomètre à tout moment. Si vous décidez de ne pas tenir compte des entrées du pluviomètre, réglez le commutateur SENSOR (Capteur) sur Bypass. Pour activer la fonction du pluviomètre, réglez le commutateur sur Active (Actif).



IMPORTANT : Si vous N'AVEZ PAS connecté de pluviomètre au programmeur, le commutateur SENSOR (Capteur) DOIT être réglé sur BYPASS pour que le programmeur puisse fonctionner.

Le programmeur ne peut pas fonctionner automatiquement ni manuellement si le commutateur SENSOR (Capteur) est réglé sur ACTIVE (Actif) sans qu'un pluviomètre ne soit connecté.

CONFIGURATION DU PROGRAMMATEUR

Cette section traite des sujets suivants :

- Mise en route
- Réglage de l'heure et de la date courantes
- Effacement des programmes antérieurs
- Réglage de la durée de fonctionnement des voies (temps d'arrosage)
- Démarrage (oui-non) de pompe/vanne principale
- Etablissement des heures de démarrage de programme
- Sélection des jours d'arrosage

MISE EN ROUTE

PRÉCONFIGURATION DU PROGRAMMATEUR

Grâce à la conception unique du Total Control, vous pouvez facilement retirer le module de commande du coffret afin de le programmer commodément dans le confort de votre domicile.

Pour tirer parti de cette possibilité, déverrouillez le module de commande et faites-le basculer vers l'extérieur. Déconnectez la broche du câble plat, puis désenclenchez simplement le module de son châssis. Vous pouvez maintenant, après avoir installé une pile alcaline 9 V (comme indiqué à la page 4), programmer et examiner vos calendriers d'arrosage, et le programmateur sera prêt à fonctionner aussitôt les procédures d'installation terminées.

Remarque : Afin de prolonger la durée de la pile, l'affichage passe automatiquement en mode de veille après 2 minutes d'inactivité. Pour rétablir l'affichage, il suffit de tourner le cadran sélecteur de fonction. Une pile neuve peut garder l'heure et la date courantes pendant plus de 2000 heures consécutives. La mémoire du programme est rémanente et n'exige pas d'alimentation électrique pour conserver les données.

LES PROGRAMMES D'ARROSAGE - DÉFINITION

De manière fondamentale, un programme d'arrosage est un petit ensemble d'instructions indiquant au module de commande le moment où il devra lancer un cycle d'arrosage, les voies qu'il devra faire fonctionner pendant le cycle, les jours auxquels le cycle sera actif et la durée de fonctionnement de chaque voie durant le cycle. Le Total Control vous permet d'utiliser quatre programmes d'arrosage indépendants. Bien qu'un seul programme suffise au fonctionnement du programmateur, l'emploi de programmes distincts vous permet d'optimiser la quantité d'eau distribuée aux différentes zones du paysage. Par exemple, vous pourriez utiliser un programme pour arroser les pelouses en plein soleil tous les jours et un autre programme pour arroser les pelouses partiellement ombragées seulement le lundi, mercredi et vendredi. L'arrosage goutte-à-goutte des arbres et arbustes pourrait être assuré par un programme distinct une fois toutes les deux semaines, alors qu'une zone de jardin serait arrosée tous les deux jours.

Afin de tirer pleinement parti des options de programmation disponibles, il est important de comprendre auparavant comment fonctionne le programme lors de l'exploitation. La définition des cycles d'arrosage, ainsi qu'un exemple fondamental de configuration multiprogramme, font l'objet de la section suivante.

LE CYCLE D'ARROSAGE - DÉFINITION

Quand une heure de début d'arrosage est sélectionnée, elle constitue le point de départ d'un cycle d'arrosage automatique. Le cycle d'arrosage fait successivement fonctionner chacune des voies affectées au programme, par ordre numérique.

Dans l'exemple suivant (qui est repris dans l'exemple de plan d'arrosage, p. 9), nous avons configuré le Programme A comme suit : démarrage à 2 h a.m., puis à nouveau à 3 h a.m., à intervalles de 1 jour (tous les jours). Les voies 1, 2, 4 et 5 arrosent des pelouses avant et arrière exposées en plein soleil toute la journée. Chaque voie fonctionne 10 minutes par cycle d'arrosage, soit une durée de fonctionnement totale de 20 minutes par jour. Les voies 3, 6 et 7 arrosent des pelouses qui sont à l'ombre durant l'après-midi. Ces zones n'exigent pas autant d'eau et nous avons donc affecté ces voies au Programme B, en prévoyant une durée d'arrosage de 20 minutes consécutives à intervalles de 2 jours (un jour sur deux).

A 2 h a.m., le cycle d'arrosage du Programme A commence. La voie 1 est activée, fonctionne pendant 10 minutes, puis s'arrête. La voie 2 est alors activée, fonctionne pendant 10 minutes, puis s'arrête. Les voies 4 et 5 fonctionnent en séquence de la même manière et chacune arrose pendant sa durée de fonctionnement programmée. Lorsque la voie 5 s'arrête, le cycle d'arrosage correspondant à la première heure de démarrage prend fin. A 3 h a.m., le cycle d'arrosage recommence et répète la même séquence d'arrosage voie par voie.

Il convient de remarquer que la durée de fonctionnement totale par cycle du Programme A est de 40 minutes. Si nous avons fixé l'heure de démarrage suivante à 2 h 30, le début de l'arrosage aurait été retardé jusqu'à 2 h 40 pour que le premier cycle puisse prendre fin tel que programmé. Cette fonction « d'empilement » des heures de démarrage peut s'appliquer pendant chaque programme.

Cependant, étant donné que les programmes d'arrosage fonctionnent de manière indépendante, plusieurs programmes peuvent être simultanément en oeuvre. Dans notre exemple, le programme B démarre aussi à 2 h a.m.. Par conséquent, les voies 1 et 3 sont activées en même temps, et la voie 2 se met à arroser pendant que la voie 3 est en service. Cette fonction permet d'arroser plus pendant la "plage horaire d'arrosage" la plus favorable, qui s'établit généralement entre minuit et 6 h.

Remarque : En cas de configuration de programmes d'arrosage devant fonctionner simultanément, il est important de s'assurer que la pression et le volume de l'alimentation en eau sont suffisants pour soutenir une performance optimale des arroseurs.

FICHE DE PLAN D'ARROSAGE (EXEMPLE)

Cette fiche (recto/verso) de plan d'arrosage/notice d'utilisation rapide est destinée à vous faciliter la tâche. Utilisez-la pour planifier et enregistrer vos opérations d'arrosage automatique. Servez-vous des instructions de la notice d'utilisation rapide lorsque des modifications de programmation mineures sont nécessaires. Conservez la carte avec le programmeur en la fixant à l'intérieur du couvercle avant.

(Exemple)

Fiche de plan d'arrosage		Programme A	Programme B	Programme C	Programme D
Jours de la semaine					
Calendrier des jours d'arrosage					
Impairs/pairs					
Intervalle		1	2		
Heures de démarrage du cycle d'arrosage		2 h, 3 h	2 h		
Voie	Description de la voie	Durée de fonctionnement de la voie			
1	Pelouse avant (ensoleillée)	10 mn			
2	Pelouse avant (ensoleillée)	10 mn			
3	Pelouse côté (ombragée)		20 mn		
4	Pelouse arrière (ensoleillée)	10 mn			
5	Pelouse arrière (ensoleillée)	10 mn			
6	Pelouse arrière (ombragée)		20 mn		
7	Pelouse arrière (ombragée)		20 mn		
8					
9					
10					
11					
12					
13					
14					
15					
16					
17					
18					
19					
20					
21					
22					
23					
24					

RÉGLAGE DE L'HEURE ET DE LA DATE COURANTES

Avant de pouvoir configurer le programmeur en vue d'un arrosage automatique, vous devez régler son horloge à l'heure et à la date courantes. Ce programmeur utilise un calendrier de 365 jours avec correction automatique pour les années bisextiles. Une fois la date fixée, le programmeur garde la date courante, ce qui permet d'effectuer sans problème l'arrosage jours impairs - jours pairs nécessaire à certains endroits. L'heure et la date s'appliquent à tous les programmes. Pour les régler, procédez comme suit.

1. Réglez le cadran sélecteur de fonction sur **Current Time & Date** (Heure et date courantes). Les chiffres de l'heure et le terme **AM/PM** clignotent.
2. Appuyez sur le bouton **+** ou **-** pour respectivement avancer ou reculer l'heure.

Remarque : si vous appuyez de manière continue sur le bouton **+** ou **-**, les chiffres de l'heure défilent rapidement.
3. Appuyez sur le bouton **NEXT (Suivant)** pour sélectionner les minutes. Utilisez les boutons **+** et/ou **-** pour régler à la valeur courante.
4. Appuyez sur le bouton **NEXT (Suivant)** pour sélectionner l'année. Utilisez les boutons **+** et/ou **-** pour régler à l'année courante.
5. Appuyez sur le bouton **NEXT (Suivant)** pour sélectionner le mois. Utilisez les boutons **+** et/ou **-** pour régler au mois courant.
6. Appuyez sur le bouton **NEXT (Suivant)** pour sélectionner le jour (quantième). Utilisez les boutons **+** et/ou **-** pour régler le jour courant du calendrier.
7. Remettez le cadran sélecteur de fonction sur **Run (Marche)** une fois fixées l'heure et la date courantes.

EFFACEMENT DES PROGRAMMES ANTÉRIEURS

Ce processus permet de vider facilement la mémoire du programmeur de toutes les informations définies par l'utilisateur pour un programme d'arrosage donné. Il s'agit d'une procédure facultative que vous pouvez sauter si vous désirez conserver les données d'exploitation de programme antérieures ou si le programmeur n'a jamais été configuré.

L'effacement d'un programme réinitialise la mémoire : aucun jour d'arrosage actif, durée de fonctionnement de voie ou heure de démarrage de programme n'est défini ; le paramètre Budget eau est fixé à 100 % et le paramètre Démarrage de pompe/vanne principale est réglé sur "On" (Oui).

Remarque : Cette procédure est indépendante des autres programmes et ne réinitialise que les informations relatives au programme sélectionné.

Pour effacer les informations relatives au programme sélectionné :

1. Choisissez le programme A, B, C ou D au moyen du sélecteur Program (Programme).
2. Réglez le cadran sélecteur de fonction sur Program Erase (Effacement programme). L'écran indique "ERASE" (Effacement).
3. Appuyez de manière continue sur le bouton OFF (Arrêt) jusqu'à ce que l'écran indique "DONE" (Terminé).
4. Répétez cette procédure pour chacun des programmes que vous désirez effacer.

RÉGLAGE DE LA DURÉE DE FONCTIONNEMENT DES VOIES

Une voie devient affectée à un programme lorsqu'une durée de fonctionnement (de 1 minute à 10 heures) lui est attribuée au sein de ce programme. La voie ne peut avoir qu'une seule durée de fonctionnement par programme, mais elle peut être affectée à un nombre quelconque de programmes avec des durées de fonctionnement différentes.

Pour définir la durée de fonctionnement de chaque voie :

1. Réglez le cadran sélecteur de fonction sur Station Times (Durées voies). L'écran indique STATION NUMBER 1 (Voie 1) et OFF (désactivée) ou la durée de fonctionnement actuelle de la voie.
2. Choisissez le programme A, B, C ou D au moyen du sélecteur Program (Programme).
3. Appuyez sur le bouton NEXT (Suivant) pour sélectionner le numéro de la voie à configurer (s'il ne s'agit pas de la voie affichée).
4. Utilisez les boutons + et/ou - pour fixer la durée de fonctionnement de la voie.

Remarque : Par défaut, chaque voie est désactivée (OFF). Si une durée de fonctionnement a été définie pour la voie et que vous désirez la supprimer pour ce programme, utilisez les boutons + et/ou - pour sélectionner OFF (ce paramètre est affiché entre 10:00 [10 heures] et 00:01 [1 minute]).

5. Répétez les étapes 3 et 4 pour établir la durée de fonctionnement de chacune des voies que vous désirez affecter au programme sélectionné.
6. Le cas échéant, répétez les étapes 2 à 5 pour les autres programmes.

DÉMARRAGE (OUI-NON) DE POMPE/VANNE PRINCIPALE

Le Total Control permet la commande indépendante, pour chaque programme, du fonctionnement automatique du circuit de sortie de démarrage de pompe/vanne principale. Par exemple, si un programme est utilisé pour l'arrosage goutte-à-goutte et que la pompe du système n'est pas nécessaire, il est possible de désactiver le circuit de sortie de démarrage de pompe/vanne principale chaque fois que ce programme commence.

Par défaut, cette fonction est activée (ON) pour chaque programme. Procédez comme suit pour la sélectionner ou non en fonction des besoins des différents programmes.

1. Réglez le cadran sélecteur de fonction sur **Station Times (Durées voies)**.
2. Choisissez le programme A, B, C ou D au moyen du sélecteur **Program (Programme)**.
3. Appuyez de manière répétée sur le bouton **NEXT (Suivant)** jusqu'à ce que l'écran indique **MASTER VALVE (Vanne principale)**.
4. Appuyez sur le bouton **OFF (Non)** ou **ON (Oui)** afin de définir l'état de la sortie de démarrage de pompe/vanne principale pour le programme sélectionné.
5. Le cas échéant, répétez les étapes 2 à 4 pour les autres programmes.

ETABLISSEMENT DES HEURES DE DÉMARRAGE DE PROGRAMME

Cette procédure sert à définir la ou les heures de démarrage de cycle d'arrosage pour chaque programme. Il est possible de définir un maximum de 16 heures de démarrage pour les quatre programmes de manière quelconque. Chaque heure de démarrage marque le lancement d'un cycle d'arrosage activant en séquence toutes les voies pour lesquelles une durée de fonctionnement a été définie dans le programme.

Remarque : Lorsque 16 heures de démarrage sont définies, l'écran indique **NONE REMAINING (Complet)** si vous essayez d'affecter des heures de démarrage supplémentaires.

Pour définir la ou les heures de démarrage de cycle programme :

1. Réglez le cadran sélecteur de fonction sur **Program Start Times (Heures de démarrage programme)**.
2. Choisissez le programme A, B, C ou D au moyen du sélecteur **Program (Programme)**.
3. Appuyez sur les boutons + et/ou – pour fixer l'heure de démarrage.
Remarque : Pour supprimer une heure de démarrage, sélectionnez **OFF** (paramètre affiché entre 11:59 p.m. [23 h 59] et 12:00 a.m [minuit]).
4. Appuyez sur le bouton **NEXT (Suivant)** pour affecter une autre heure de démarrage au programme.
5. Le cas échéant, répétez les étapes 2 à 4 pour les autres programmes.

Remarque : Au sein d'un programme donné, le Total Control ne fait fonctionner qu'un cycle d'arrosage à la fois. Si une heure de démarrage tombe pendant un cycle d'arrosage en cours, elle sera retardée jusqu'à ce que ce cycle soit achevé (fonction dite d'"empilement" des heures de démarrage). Si le cycle d'arrosage déborde sur le jour suivant (dépasse minuit), le cycle se poursuit pendant la durée prévue. Toutefois, si un cycle d'arrosage retardé arrive, après minuit, à un jour de non arrosage, ce cycle ne sera pas effectué.

SÉLECTION DES JOURS D'ARROSAGE

Plusieurs options sont disponibles pour programmer les jours d'arrosage. Chaque programme d'arrosage peut utiliser UNE de ces options :

- **Jours de la semaine**

Servez-vous de cette option pour que l'arrosage ait lieu à des jours donnés de la semaine. Les jours sont indiqués par une abréviation de 3 lettres. Par exemple, dimanche = SUN (Sunday), lundi = MON (Monday), etc. Seuls les jours choisis pour l'arrosage restent affichés.

- **Jours impairs ou jours pairs**

Servez-vous de cette option pour que l'arrosage ait lieu chaque jour impair ou chaque jour pair. Etant donné que le 31 et le 1er sont tous deux des jours impairs, le 31 est automatiquement omis. Cette option permet également de supprimer du calendrier d'arrosage certains jours de la semaine.

- **Intervalle de jours**

La sélection des jours d'arrosage au moyen de cette option permet de désigner un intervalle de 1 ou plusieurs jours séparant les jours d'arrosage. Par exemple, pour un intervalle de 1 jour, l'arrosage a lieu tous les jours. Pour un intervalle de 2 jours, il a lieu un jour sur deux. L'intervalle maximum est de 30 jours (arrosage une fois tous les 30 jours).

Le jour courant du calendrier constitue un autre paramètre de cette option. Tout jour de l'intervalle peut être établi comme le jour courant (indiqué par TODAY [Aujourd'hui]). Chaque jour, ce nombre augmente automatiquement d'une unité. Lorsque le nombre TODAY est égal au nombre de jours de l'intervalle, le calendrier arrive à un jour d'arrosage. Par exemple, pour arroser tous les 3 jours à partir d'aujourd'hui, vous définiriez un intervalle de 3 jours en désignant le jour courant comme jour 3. Pour arroser tous les 5 jours à partir de demain, vous définiriez un intervalle de 5 jours en désignant le jour courant comme jour 4.

Pour définir un calendrier des jours d'arrosage pour chaque programme :

1. Réglez le cadran sélecteur de fonction sur **Watering Days (Jours d'arrosage)**. L'écran indique le calendrier actuel des jours d'arrosage pour le programme sélectionné.
2. Choisissez le programme A, B, C ou D au moyen du sélecteur **Program (Programme)**.
3. Définissez le ou les jours d'arrosage pour le programme en utilisant l'une des trois méthodes suivantes : jours de la semaine, jours impairs/jours pairs ou intervalle de jours.
4. Le cas échéant, répétez les étapes 2 et 3 afin d'établir un calendrier des jours d'arrosage pour les autres programmes.

Jours de la semaine

- A. Appuyez sur le bouton **NEXT (Suivant)** jusqu'à ce que les abréviations des jours de la semaine apparaissent au sommet de l'écran.
- B. Appuyez sur le bouton **ON (Oui)**. Le mot **SUN (Sunday [Dimanche])** se met à clignoter.
- C. Pour sélectionner le jour, appuyez sur **ON (Oui)**. Pour le supprimer du calendrier, appuyez sur **OFF (Non)**.
- D. Appuyez sur le bouton **NEXT** pour sélectionner le jour suivant.
- E. Répétez les étapes C et D pour programmer le reste de la semaine.

Jours impairs ou jours pairs

- A. Appuyez sur le bouton **NEXT (Suivant)** jusqu'à ce que l'écran indique **ODD DAYS (Jours impairs)** ou **EVEN DAYS (Jours pairs)**.
- B. Appuyez sur le bouton **ON (Oui)** pour sélectionner le calendrier.

Facultatif : Pour enlever certains jours de la semaine du calendrier d'arrosage Impair/Pair:

1. Appuyez sur le bouton **NEXT (Suivant)** jusqu'à ce que le jour sélectionné clignote.
2. Appuyez sur le bouton **OFF (Non)** pour exclure ce jour du calendrier. (Appuyez sur **ON (Oui)** pour le réincorporer au calendrier.)

Intervalle de jours

- A. Appuyez sur le bouton **NEXT (Suivant)** jusqu'à ce que l'écran indique **DAY INTERVAL (Intervalle de jours)**.
- B. Appuyez sur le bouton **ON (Oui)** pour sélectionner cette option.
- C. Appuyez sur le bouton **NEXT (Suivant)**. L'écran indique le nombre actuel de jours de l'intervalle (1 à 30).

- D. A l'aide du bouton + ou –, sélectionnez l'intervalle (de 1 à 30 jours).
- E. Appuyez sur le bouton NEXT (Suivant). L'écran indique TODAY (Aujourd'hui) et sa valeur actuelle.
- F. A l'aide du bouton + ou –, sélectionnez la valeur voulue pour le jour courant..

EXPLOITATION DU PROGRAMMATEUR

Les instructions de la présente section traitent des aspects suivants de l'exploitation du programmeur :

- Budget eau
- Exploitation manuelle
- Modes d'arrêt et de suspension pluie

BUDGET EAU

La fonction Budget eau permet de facilement accroître ou réduire (en pourcentage) la durée de fonctionnement de toutes les voies affectées à un programme sélectionné. Elle offre un moyen pratique d'effectuer des ajustements temporaires globaux sans toucher aux paramètres initiaux de durée de fonctionnement. Le paramètre Budget eau peut varier de 0 à 200 %, par incréments de 10 % ; la valeur normale est de 100 %.

Par exemple, à l'approche de l'automne, quand la température commence à baisser, il peut être indiqué de réduire de 30 % la durée de fonctionnement des voies du programme A. Par la suite, vous pouvez rétablir les durées de fonctionnement initiales en réglant à nouveau le paramètre Budget eau à 100 %.

Remarque : En augmentant la durée de fonctionnement des voies, il est possible de provoquer par mégarde un empilement d'heures de démarrage. Afin d'éviter ce problème, planifiez et utilisez avec soin la fonction Budget eau.

Pour modifier la valeur du paramètre Budget eau d'un programme donné :

1. Réglez le cadran sélecteur de fonction sur Water Budget (Budget eau).
2. Choisissez le programme A, B, C ou D au moyen du sélecteur Program (Programme).
3. Utilisez les boutons + et/ou – pour accroître ou réduire le pourcentage (0 à 200 %).
4. Réglez le cadran sélecteur de fonction sur Run (Marche).

Remarque : Quand la fonction Budget eau est en service pour un des programmes, le symbole “%” est affiché lorsque le programmeur réglé sur Run (Marche). Pendant le fonctionnement, la durée de fonctionnement ajustée est affichée.

EXPLOITATION MANUELLE

Le mode d'exploitation manuelle vous permet de faire fonctionner des voies individuelles ou de lancer des programmes d'arrosage automatique en fonction des besoins. Le Total Control offre des réglages de sélecteur distincts pour ces deux types d'exploitation : Single Station (Voie individuelle) et Program Cycle (Cycle programme).

SINGLE STATION (VOIE INDIVIDUELLE)

Cette fonction permet de faire fonctionner des voies individuelles pendant un temps non défini (activation/désactivation) ou pendant une durée fixée entre 1 minute et 10 heures.

1. Réglez le cadran sélecteur de fonction sur **Single Station (Voie individuelle)**.
2. Choisissez le programme A, B, C ou D au moyen du sélecteur **Program (Programme)**.

Remarque : le paramètre de démarrage de pompe/vanne principale configuré dans le programme sélectionné détermine si cette fonction est activée ou non en mode d'exploitation manuelle.

3. Utilisez une des options suivantes pour faire fonctionner la voie.

Fonctionnement non chronométré :

- A. Appuyez sur le bouton **NEXT (Suivant)** jusqu'à ce que la voie voulue soit affichée.
- B. Appuyez sur le bouton **ON (Oui)**. La voie est activée. Elle reste activée jusqu'à ce qu'une des conditions suivantes soit remplie :
 - Vous appuyez sur le bouton **OFF (Non)**
 - l'horloge du programmateur dépasse minuit
 - le sélecteur de fonction est réglé à une autre position

Fonctionnement chronométré :

- A. Appuyez sur le bouton **NEXT (Suivant)** jusqu'à ce que la voie voulue soit affichée.
- B. Utilisez les boutons **+** et/ou **-** pour fixer la durée de fonctionnement de voie désirée (pour cette opération seulement), entre 1 minute et 10 heures.
- C. Pour sélectionner des voies supplémentaires afin de les faire fonctionner en séquence, répétez au besoin les étapes A et B. Les voies fonctionneront une par une selon leur ordre de sélection.
- D. Laissez le cadran sélecteur de fonction sur **Single Station (Voie individuelle)** jusqu'à ce que le fonctionnement manuel s'achève, puis remettez le cadran sélecteur en position **Run (Marche)**.

PROGRAM CYCLE (CYCLE PROGRAMME)

Utilisez cette fonction pour gérer manuellement des programme d'arrosage. Vous pouvez exécuter le programme entier ou démarrer à n'importe quel point de la séquence de voies du programme.

Remarque : Seules les voies auxquelles une durée de fonctionnement a été affectée dans le programme fonctionneront durant le cycle programme.

1. Réglez le cadran sélecteur de fonction sur **Program Cycle (Cycle programme)**.
2. Choisissez le programme A, B, C ou D au moyen du sélecteur **Program (Programme)**.
3. Appuyez sur le bouton **NEXT (Suivant)** pour sélectionner la première voie de la séquence d'arrosage (s'il ne s'agit pas de la voie affichée).
4. Appuyez sur le bouton **ON (Oui)** pour lancer le cycle d'arrosage. L'arrosage commence par la voie sélectionnée et continue par toutes les voies subséquentes. L'affichage indique la durée de fonctionnement restante de la voie active.

Remarque : Vous pouvez avancer la liste des voies en appuyant sur la touche **NEXT (Suivant)** pour passer à la voie suivante. Pour mettre fin au fonctionnement à tout moment, appuyez sur le bouton **OFF (Non)**.

5. Laissez le cadran sélecteur de fonction sur **Program Cycle (Cycle programme)** jusqu'à ce que le fonctionnement manuel s'achève, puis remettez le sélecteur en position **Run (Marche)**.

RAIN OFF (ARRÊT PLUIE) et RAIN DELAY (SUSPENSION PLUIE)

Servez-vous de cette fonction pour désactiver le fonctionnement du programmeur pendant un temps indéfini (mode **Off [Arrêt]**) ou pendant un certain nombre de jours (mode **Rain Delay [Suspension pluie]**).

Désactivation du programmeur

Réglez le cadran sélecteur sur **Rain Off (Arrêt pluie)** pour mettre le programmeur en mode d'arrêt. Deux secondes plus tard, toutes les opérations d'arrosage en cours prennent fin et toutes les opérations subséquentes sont suspendues. Le programmeur reste en mode d'arrêt tant que le sélecteur de fonction est réglé sur **Rain Off**. L'horloge du programmeur continue à garder l'heure et la date et toutes les données des programmes d'arrosage sont conservées. Pour reprendre le fonctionnement normal du programmeur, il suffit de régler le cadran sélecteur de fonction sur toute autre position.

Emploi du mode de suspension pluie

Le mode **Rain Delay (Suspension pluie)** permet de retarder l'arrosage automatique de 1 à 7 jours. A la fin de la période de suspension fixée, le programmeur reprend son fonctionnement automatique.

Pour définir une période de suspension pluie

1. Réglez le cadran sélecteur de fonction sur **Rain Off (Arrêt pluie)**.
2. Utilisez les boutons + et/ou – pour sélectionner le nombre de jours (1 à 7) pendant lequel l'arrosage sera suspendu.
3. Réglez le cadran sélecteur de fonction sur **Run (Marche)**.

L'affichage indique le nombre de jours de suspension restants. Ce nombre diminue automatiquement d'une unité chaque fois que l'horloge passe minuit. Le fonctionnement automatique reprend lorsque l'affichage n'indique plus de jours de suspension.

Remarque : Le programmeur peut être exploité manuellement alors qu'il est en mode de suspension pluie.

Pour annuler le mode de suspension pluie :

1. Réglez le cadran sélecteur de fonction sur **Rain Off (Arrêt pluie)**.
2. Appuyez sur le bouton – jusqu'à ce que l'affichage n'indique plus de jours de suspension.
3. Réglez le cadran sélecteur de fonction sur **Run (Marche)**.

PROCÉDURES D'INSTALLATION

Les instructions de cette section concernent le montage du coffret du programmeur et la réalisation des connexions nécessaires. Afin de garantir un fonctionnement sans danger, il est important de suivre avec soin ces instructions, qui couvrent les aspects suivants :

- Sélection du site d'installation
- Montage du programmeur
- Installation des canalisations
- Connexion du câblage réseau
- Connexion d'un capteur pluviométrique facultatif
- Connexion d'un relais de démarrage de pompe facultatif
- Connexion d'un circuit de terre
- Connexion des fils d'alimentation électrique

SÉLECTION D'UN LIEU D'INSTALLATION

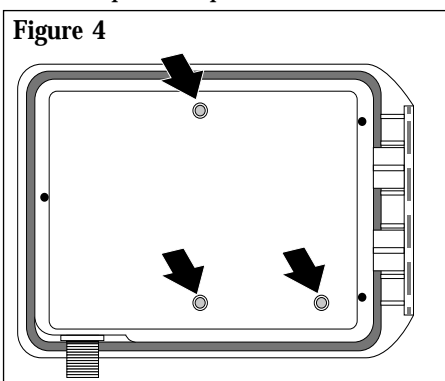
Le choix d'un lieu d'installation approprié est essentiel au fonctionnement sûr et fiable du programmeur. Conçu pour les installations intérieures ou extérieures, le coffret du Total Control est à l'épreuve des intempéries.

Afin de faciliter l'utilisation du programmeur et la lecture de l'écran, installez le coffret de manière à ce que l'affichage soit à hauteur du regard ou légèrement plus bas.

Le programmeur devrait être installé sur un mur vertical ou autre structure solide à proximité d'une source d'alimentation à trois conducteurs mise à la terre. Choisissez un endroit où le programmeur sera à l'ombre durant les heures les plus chaudes de la journée et où il sera abrité le plus possible des rayons directs du soleil, de la pluie, du vent et de la neige. **N'INSTALLEZ PAS** le programmeur à un endroit où il serait directement exposé à l'eau d'arrosage.

MONTAGE DU PROGRAMMATEUR

1. Placez le gabarit de montage (fourni) sur le mur, en positionnant la zone d'affichage du programmateur (indiquée sur le gabarit) à hauteur du regard ou légèrement plus bas. A l'aide d'un petit poinçon ou d'un clou, marquez l'emplacement des trous de montage supérieur et inférieur de l'axe central, ainsi que le trou supplémentaire du bas si vous désirez assurer un plus grand support au coffret.
2. Percez dans le mur des trous pilotes d'une profondeur d'au moins 32 mm (1 1/4") avec une mèche de 2,5 mm (3/32") s'il s'agit d'un poteau de cloison ou de 6,5 mm (1/4") s'il s'agit de maçonnerie.
3. Dans le cas seulement de l'installation sur maçonnerie, insérez des chevilles en plastique dans les trous pilotes.
4. Ouvrez la porte du coffret et faites basculer le module de commande vers l'extérieur en appuyant sur le loquet.
5. La porte du coffret et le module de commande étant en position ouverte, retournez le programmateur et posez sa partie avant sur une surface de travail propre et lisse.
6. En utilisant une mèche de 5 mm (3/16"), percez avec soin le centre des repères de trou de montage situés sur l'arrière du coffret du programmateur. Voir **figure 4**.
7. Centrez les trous de montage du coffret sur les trous pilotes du mur. A l'aide de vis à tête cruciforme de 4x25 mm (#10 x 1"), fixez fermement le coffret au mur.



INSTALLATION DE GAINES ÉLECTRIQUES

Remarque : Les gaines et adaptateurs électriques ne sont pas fournis avec le programmateur mais peuvent être nécessaires à l'installation selon l'endroit où vous vous trouvez. Vérifiez les règlements de sécurité locaux et installez les gaines conformément aux normes.

1. Dans le cas des câbles d'alimentation, posez une boîte de connexion filetée sur le raccord NPT 1/2" de l'ensemble transformateur. Connectez une gaine électrique entre ce raccord fileté et la boîte de tirage de l'alimentation.
2. Dans le cas du câblage réseau (basse tension), installez la gaine avec un adaptateur pour gaine 38 mm (1 1/2").

CONNEXION DU CÂBLAGE RÉSEAU

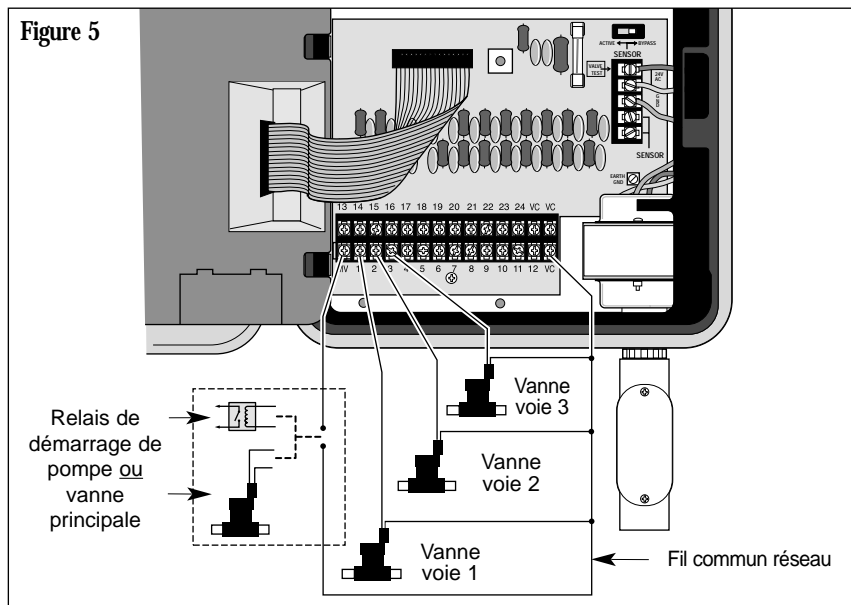
1. Afin de disposer d'un fil commun de réseau, connectez un fil à un des deux fils de chaque électrovanne d'arroseur et de la vanne principale (facultative).
2. Connectez un fil de commande individuel à l'autre fil de chacune des électrovannes d'arroseur. Étiquetez les fils de commande en marquant le numéro de voie prévu afin de permettre l'identification au niveau du programmeur.

Attention : Toutes les épissures de câble doivent être étanches afin d'empêcher les court-circuits et la corrosion.

Attention : La charge maximum pouvant être connectée à chaque voie est de 12 VA (0,5 A). La charge maximum (y compris la vanne principale) pouvant être programmée pour fonctionnement simultané est de 30 VA (1,25 A).

Au-dessus de ces limites, le programmeur risque d'être endommagé.

3. Introduisez tous les fils réseau dans le coffret du programmeur par l'orifice d'accès de 38 mm (1 1/2"). Dénudez l'extrémité de chaque fil sur une longueur de 13 mm environ.
4. Connectez le fil commun réseau à l'une des trois bornes de circuit commun de vanne prévues (marquées "VC" pour "Valve Common"),
5. En vous reportant à la **figure 5**, connectez chaque fil de commande de vanne à la borne correspondant au numéro de voie voulu. En cas d'installation de la vanne principale facultative, connectez son fil de commande à la borne "MV". Serrez fermement la vis de chacune des bornes.



Procédures d'installation

CONNEXION D'UN RELAIS DE DÉMARRAGE DE POMPE

CLorsque le programmeur doit faire fonctionner une pompe, il faut utiliser un relais compatible. La bobine du relais se connecte à la borne de vanne principale (MV) et doit être prévue pour 24 Vc.a. à 0,5 A maximum. Les contacts du relais doivent être connectés aux bornes de démarrage de la pompe et doivent avoir des caractéristiques nominales adaptées à la pompe utilisée.


Remarque : Dans les installations employant des pompes de grande puissance, il se peut que des dispositifs antitransitoires doivent être installés entre les contacts.

Attention : Ne connectez pas la borne de sortie de vanne principale directement aux bornes de démarrage de pompe, car cela endommagerait le programmeur.

Pour connecter le relais de démarrage de pompe :

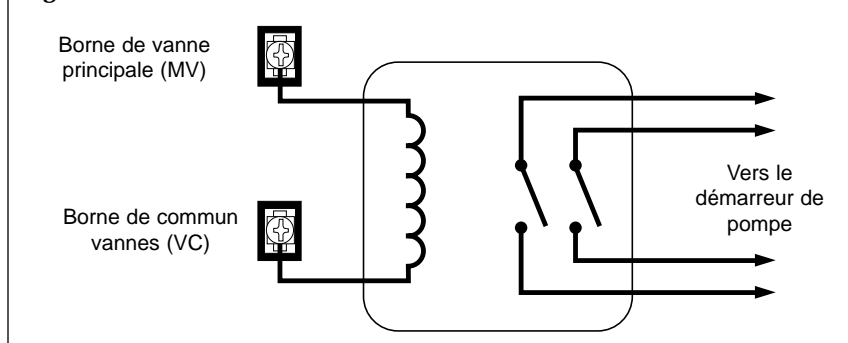
1. Connectez la borne de sortie de vanne principale (MV) à un côté de la bobine du relais.
2. Connectez l'autre côté de la bobine du relais à la borne de fil commun des vannes (VC). Voir figures 5 et 6.

AVERTISSEMENT



Le raccordement correct de la pompe et des contacts de relais dépend de la configuration de la pompe et peut impliquer la présence de HAUTES TENSIONS. Ce raccordement devrait être réalisé par un électricien qualifié en respectant toutes les réglementations en vigueur en matière de sécurité applicables et les recommandations du fabricant de la pompe.

Figure 6



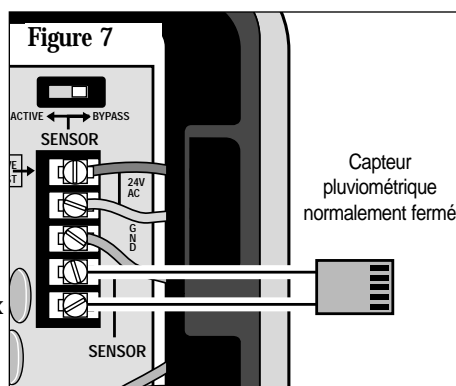
CONNEXION D'UN CAPTEUR PLUVIOMÉTRIQUE

Le Total Control est conçu pour fonctionner avec un capteur pluviométrique normalement fermé, également appelé « pluviomètre » et « interrupteur pluie ». (Pour plus d'informations sur le pluviomètre, voir p. 6.)

Pour connecter le capteur pluviométrique :

1. Introduisez les deux fils du capteur dans le coffret par l'orifice d'accès des fils réseau.
2. Connectez les fils aux bornes « SENSOR » dans n'importe quel ordre. Voir **figure 7**.

Remarque : Pour plus d'informations, reportez-vous aux instructions d'installation fournies avec le capteur.



CONNEXION D'UN CIRCUIT DE TERRE

Une pointe de tension est une poussée subite de la tension sur le réseau secteur. Ce phénomène est fréquemment suivi d'une chute de tension car le matériel du réseau secteur essaye de protéger les utilisateurs de la zone touchée. Les lignes secteur frappées par la foudre constituent la cause la plus courante des pointes de tension. Ces dernières peuvent endommager le programmeur. La carte-circuits du Total Control intègre un dispositif antisurtension qui réduit les risques de dégâts en shuntant la tension vers un circuit de terre. Par conséquent, la connexion correcte du programmeur à la terre constitue une importante étape de l'installation, en particulier si le programmeur se trouve dans un endroit sujet à la foudre.

Attention : Le dispositif antisurtension intégré ne peut pas protéger efficacement les circuits du programmeur contre les pointes de tension si ce dernier n'est pas correctement connecté à la terre.

Pour connecter le programmeur à la terre :

1. Acheminez un fil de cuivre plein de 2 à 1 mm² (calibre américain 12 à 16), par le circuit le plus direct, entre le plot « EARTH GND » (Terre) de la plaque à bornes du programmeur (article 21, p.3) et une source de terre telle qu'un tuyau d'eau métallique (et non plastique) ou une tige de terre à gaine de cuivre.
2. Connectez solidement le fil nu au tuyau ou à la tige de terre en veillant à ce que la zone de contact soit propre et sans corrosion.

CONNEXION DES FILS D'ALIMENTATION

Le programmeur comprend un transformateur intégré qui doit être directement connecté à une alimentation à trois conducteurs 120 Vc.a. (modèle américain), 230 Vc.a. (modèle international) ou 240 Vc.a. (modèle australien) mise à la terre.



AVERTISSEMENT

Tous les composants électriques, ainsi que l'installation par un électricien qualifié, doivent être conformes aux réglementations en vigueur en matière de sécurité.

Ces règlements peuvent exiger le montage d'une boîte de jonction externe sur le raccord du transformateur et exiger que le câblage fixe comporte un moyen de déconnexion de l'alimentation alternative présentant un écart d'au moins 3 mm entre les pôles (conducteurs et neutre).

Assurez-vous que l'alimentation alternative est coupée (OFF) avant de procéder au raccordement du programmeur.

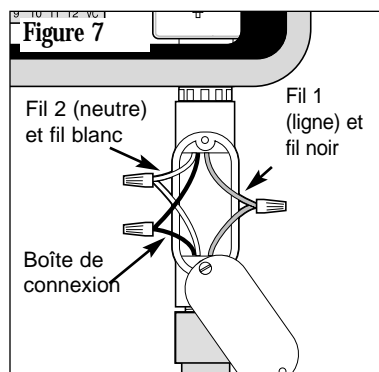
Le fil servant à la connexion au programmeur doit avoir un isolant prévu au minimum pour une température de 105 °C.

Attention : Ne connectez pas le programmeur à une alimentation uniphasée ou triphasée utilisée par une pompe ou autre machine électrique.

1. Vérifiez que l'alimentation est coupée.
2. Acheminez le fil 1 (ligne), le fil 2 (neutre) et le fil de terre du matériel vers le programmeur par la gaine électrique.
3. En vous servant de connecteurs correctement isolés, connectez le fil de ligne au fil noir, le fil de neutre au fil blanc et le fil de terre du matériel au fil vert ou vert/jaune.

Remarque : Le mode de raccordement des câbles électriques apparaissant sur la Fig 7, s'applique seulement à une installation domestique du programmeur, pour l'installation d'un programmeur modèle international, se conformer au mode de raccordement électrique propre à la réglementation en vigueur. Pour l'installation d'un modèle australien, connectez le fil d'alimentation à la prise électrique 240 VAC mise à la terre.

4. Fermez et fixez la boîte de connexion. Mettez le programmeur sous tension.



DÉPANNAGE

❖ Problème	Solution
❖ Les vannes ne s'activent pas automatiquement	<ol style="list-style-type: none">1. Vérifiez le programme : durée de fonctionnement de voie, heures de démarrage d'arrosage, calendrier des jours d'arrosage, heure courante, jour courant, budget eau et suspension pluie.2. Vérifiez que le fil commun des vannes est bien connecté.3. Vérifiez si une vanne est en court-circuit ; voir "Fonctionnement du coupe-circuit électronique", page 5.4. Vérifiez que le capteur pluviométrique (le cas échéant) est correctement connecté et fonctionne bien. En l'absence d'un capteur, vérifiez que SENSOR SWITCH est réglé sur BYPASS.5. Vérifiez le fusible et changez-le au besoin. Voir p. 27.
❖ Impossible de programmer	<ol style="list-style-type: none">1. Mettez le programmeur hors tension pendant 1 minute. Reconnectez l'alimentation et reprogrammez.2. Installez une pile alcaline 9 V neuve.3. Vérifiez que les 16 heures de démarrage ne sont pas utilisées par d'autres programmes.
❖ Le programmeur saute un cycle	<ol style="list-style-type: none">1. Vérifiez les heures de démarrage d'arrosage, l'heure courante et le calendrier des jours d'arrosage.
❖ Pas d'affichage	<ol style="list-style-type: none">1. Vérifiez si le coupe-circuit de l'alimentation a disjoncté.2. Si le module programme a été enlevé, il s'agit d'une fonction normale servant à économiser la pile. Tournez le sélecteur pour réactiver l'affichage.3. Mettez le programmeur hors tension pendant 1 minute. Reconnectez l'alimentation et reprogrammez.4. Changez la pile.5. Vérifiez le fusible et changez-le au besoin. Voir p. 27.

❖ Problème	Solution
❖ Une vanne reste activée	<ol style="list-style-type: none"> 1. Vérifiez les durées de fonctionnement de vanne et le budget eau. 2. Vérifiez si le programmeur est en mode Manuel ; réglez le cadran sélecteur sur Run (Marche). 3. Déconnectez le fil de vanne. Si la vanne reste activée, cela indique un défaut de fonctionnement. 4. Vérifiez l'obturateur de purge manuelle de la vanne.
❖ Une vanne ne se met pas en marche	<ol style="list-style-type: none"> 1. Vérifiez que le sélecteur n'est pas réglé sur Rain Off (Arrêt pluie) et que le mode Rain Delay (Suspension pluie) n'est pas actif. 2. Vérifiez le programme : durée de fonctionnement de voie, heures de démarrage d'arrosage, calendrier des jours d'arrosage, heure courante, jour courant et budget eau. 3. Vérifiez que le fil commun et le fil des vannes sont correctement connectés. 4. Vérifiez si une vanne est en court-circuit ; voir page 5. 5. En cas d'emploi d'un capteur, vérifiez celui-ci. 6. Vérifiez si le fusible est grillé et changez-le si nécessaire. Pour plus d'informations sur le remplacement du fusible, voir p. 27.
❖ Le message "Short" (Court-circuit) ou "Master Valve" (Vanne principale) s'affiche	<ol style="list-style-type: none"> 1. Pour des informations de dépannage, voir « Fonctionnement du coupe-circuit électronique », p. 5.
❖ Arrosage trop fréquent	<ol style="list-style-type: none"> 1. Trop grand nombre d'heures de démarrage de programme. Vérifiez chaque programme afin de déterminer le nombre d'heures de démarrage affectées et, si nécessaire, éliminez-en certaines.

CHANGEMENT DE FUSIBLE



AVERTISSEMENT

S'il est nécessaire de changer le fusible, utilisez toujours un fusible de type et de caractéristiques identiques. L'installation d'un fusible d'intensité supérieure pose des risques de blessure grave et/ou de dégâts matériels résultant d'un incendie.

1. Coupez l'alimentation du programmeur.
2. Dégagez avec soin le fusible (article 17, p. 3) de son logement.
3. Installez le fusible neuf (2,0 A, à action lente), en vérifiant qu'il est bien en place à chaque extrémité.
4. Rétablissez l'alimentation du programmeur.

FICHE TECHNIQUE

Coffret : Plastique, résistant aux intempéries, intérieur/extérieur, montage mural, couvercle avec verrouillage à clé

Dimensions : L/H/P : 26,7 x 21,3 x 12,7 cm

Câblage/gaine : Câblage alimentation - Raccord NPT 127 mm (1/2")
Câblage réseau - Accès gaine diamètre 38 mm (1 1/2")

Caractéristiques électriques, modèle américain (TC-24EX-B) :

Entrée – 120 Vc.a., 60 Hz, 0,5 A

Sortie – 24 Vc.a., 60 Hz, 1,25 A (total max.), 0,5 A (max./voie)

Caractéristiques électriques, modèle international (TC-24EX-B-50-E) :

Entrée – 230 Vc.a., 50 Hz, 0,5 A

Sortie – 24 Vc.a., 50 Hz, 1,25 A (total max.), 0,5 A (max./voie)

Caractéristiques électriques, modèle australien (TC-24EX-B-50-A) :

Entrée – 240 Vc.a., 50 Hz, 0,5 A

Sortie – 24 Vc.a., 50 Hz, 1,25 A (total max.), 0,5 A (max./voie)

Entrée capteur : Interrupteur pluviométrique normalement fermé
(commutateur d'annulation fourni)

Sortie de relais de démarrage pompe/vanne principale : 24 Vc.a., 0,5 A (maximum)

Pile : 9 V alcaline

Fusible : 250 V, 2 A, à action lente

Limites de température spécifiées :

En fonctionnement – 0 °C à 60 °C

En stock – -30 °C à 65 °C

Compatibilité électromagnétique

Etats-Unis : Ce matériel produit et utilise de l'énergie haute fréquence et, s'il n'est pas installé et utilisé correctement, c'est-à-dire en suivant scrupuleusement les instructions du fabricant, il risque de brouiller la réception radio et télévision. Après essai, ce matériel a été déclaré conforme aux limites définies pour les appareils informatiques de classe B aux termes de la partie 15 des règlements de la Federal Communications Commission des Etats-Unis (FCC). Ces limites sont destinées à assurer une protection raisonnable contre les parasites lorsque le matériel est utilisé en zone résidentielle. Rien ne garantit cependant qu'une installation particulière ne produira pas de parasites. Si ce matériel brouille la réception radio ou télévision, ce qui peut se déterminer en l'allumant et en l'éteignant, l'utilisateur devrait essayer de corriger le problème par l'une des mesures suivantes:

- Réorientation de l'antenne réceptrice
- Changement de l'emplacement du programmeur d'arrosage par rapport au récepteur
- Réinstallation du programmeur d'arrosage plus loin du récepteur
- Raccordement du programmeur d'irrigation à une autre prise afin que le le programmeur et le récepteur soient connectés à des circuits différents. Au besoin, l'utilisateur devrait solliciter des recommandations supplémentaires de la part du revendeur ou d'un technicien radio/télévision expérimenté.

Il pourra aussi trouver des informations utiles dans la brochure de la FCC intitulée « How to Identify and Resolve Radio-TV Interference Problems ». Cette brochure peut être obtenue auprès du U.S. Government Printing Office, Washington, DC 20402. Stock No. 004-000-00345-4.

Autres pays : Ce matériel appartient à la catégorie CISPR 22 Classe B.

Assistance technique :

Europe :
Irritrol Systems Europe s.p.a.
Via Dell'artigianato, 1/3
00065 Fiano Romano (Roma) Italie
Tél. : (39) 0765 455201

Australie :
Irritrol Systems PTY Ltd.
53 Howards Road
Beverley SA 5009
Tél. : (08) 8300 3633

Etats-Unis :
P.O Box 489
Riverside, California 92502
Tél. : (909) 785-3623

Irritrol[®]
SYSTEMS