



POPE

TURBO POWER WASH High Pressure Cleaner 1800W

Model No. 101HPW1800

Operator's Manual



WARNING

To reduce the risk of injury, the user must read and understand the Operator's Manual. Save this manual.

Introduction

Thank you for purchasing a Pope product.

We would like you to be completely satisfied with your new product, so feel free to contact Pope for help with any information you require.

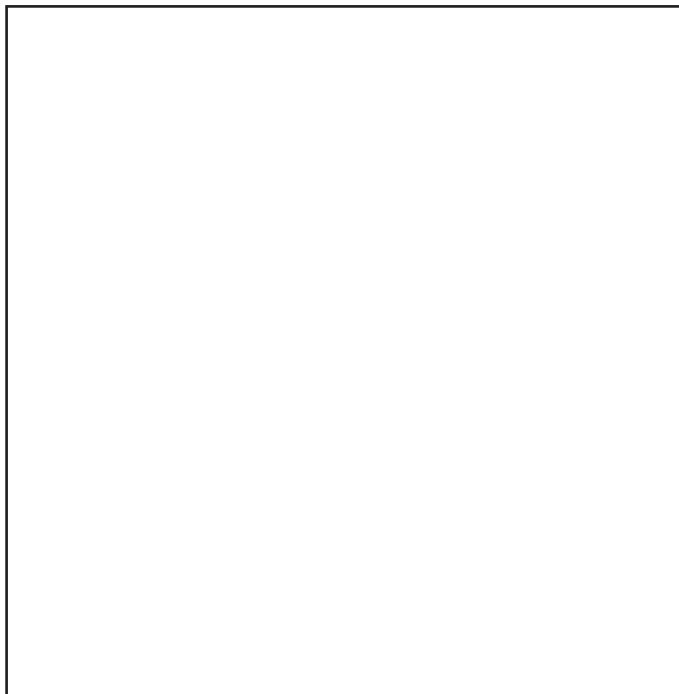
Pope's Customer Service centre number is 1300 134 880.

Please read this manual carefully to learn how to operate and maintain your product correctly. It is important to consult these instructions in order to acquaint yourself with the tool, its proper use and safety precautions.

Please observe the general maximum operating times as well as local regulations for tool operation.

Should this product require repair under the conditions of the warranty, please return it to the place of purchase. You will need to provide proof of purchase to obtain a free of charge repair, or a replacement.

**Keep these instructions in a safe place.
For your records, attach your receipt here.**



SAFETY RULES



WARNING

Read and understand all instructions. Failure to follow all instructions may result in serious personal injury as well as damage to the product.

- **Physical Condition of the Operator.** Do not operate this product when tired, ill or under the influence of alcohol, drugs or medication.
- **Clothing Requirements:** Do not wear loose clothing, jewellery, short pants, sandals or go barefoot. Secure hair so that it is above shoulder level to avoid entanglement in moving parts.
- **Warning: Do not use the appliance within range of persons unless they wear protective clothing.**
- **Protective Accessories Requirements.** Wear safety eye protection when operating this product.
- **Condition of Product Before Use.** Inspect condition of the product before use. Only operate the tool when it is in good working order and is not damaged in any way. Damaged parts have to be replaced immediately by a qualified electrician. Never use the tool if a supply cord or important parts of the appliance are damaged or missing e.g. safety devices, high pressure hose, trigger gun.
- **Proper Stance.** Keep firm footings and balance. Do not overreach.
- **Exercise Caution to Avoid Slipping or Falling.**
- **Work Area.** Before starting any cleaning operation clear the area to be cleaned before each use. Remove all objects such as rocks, broken glass, nails, wire, debris, toys, or anything that may be a hazard. Clear the area of bystanders, pets and children. If you are approached while operating the product, stop the motor.
- **Never direct a Water Stream towards people, pets or any electrical device including the pressure washer itself. Do not direct the jet at yourself or others to attempt to clean clothes or footwear.**
- **Warning: High Pressure jets can be dangerous if subject to mis-use.**
- **Condition of Pressure Washer before use.** The High Pressure Washer shall be assembled according to the manufacturer's instructions. Failure to use the proper parts may cause product failure or increase the risk of injury to the user.
- **Use the Right Product.** This Pressure Washer should only be used for cleaning outdoors. Ensure doors and windows are closed before operation. This pressure washer can be used on machines, vehicles, outdoor areas garden equipment and outdoor products such as outdoor furniture etc.
- **Visually inspect the area / surface to be cleaned.** The machine should not be used to clean surfaces that are already damaged or worn e.g. flaking or scratched paint, crumbling brickwork or masonry or products that have rust etc.
- **Use of Product.** Never allow children to use the tool. Never allow other persons who are not familiar with the operating instructions to use the tool. Never use the tool when there are people, particularly children or pets nearby.

SAFETY RULES – *continued*

- **Responsibility.** The user is responsible for any accidents or hazards suffered by third parties or their property.
- **Use only hoses, fittings and couplings recommended by the manufacturer.**
- **Do not jam the trigger in the operational position.**
- **Do not move the Pressure Washer by pulling the electrical cable.**
- **COMPLY WITH REQUIREMENTS AND RESTRICTIONS IN PLACE BY YOUR LOCAL WATER AUTHORITY.**
- **Discharge residual pressure before disconnecting the hose.**
- **Maintenance.** Switch off the tool and pull plug from the socket before carrying out any cleaning or maintenance work.
- **Outdoor Use.** When working outdoors, use only extension cables which are approved for outdoor use.
- **Plugs.** Plug connections must have earthing contacts and be protected from water.
- If an extension cord is used the plug and socket must be of watertight construction.
Warning: Inadequate extension cords can be dangerous.
- **The electric supply connection shall be made by a qualified electrician and comply with IEC 60364-1.**

It is recommended that the electric supply to this appliance should include either a residual current device that will interrupt the supply if the leakage current to earth exceeds 30mA for 30ms or a device that will prove the earth circuit.

Applications

Only use this product outdoors. Ensure that windows and doors are fully closed.

This product can be used – but is not limited to – the following applications:

- Cleaning outdoor surfaces including pavers and concrete, cars, boats, machinery and garden equipment.
- Outdoor furniture, barbecues and general cleaning around the home.
- When removing stubborn dirt and grime with detergent, use only highly biodegradable types.
- Only clean vehicle engines or other items containing oil, grease etc. in areas where suitable oil traps are installed.

The Pope TURBO POWER WASH is designed to be used in domestic applications and should only be operated within its design limitations. Tools of this category which are designed for home and garden use should only be operated in such settings. Tools of this category are not suitable for use in public facilities, parks and sports centres, vehicle cleaning services or for any commercial type application.

Unpacking

- Carefully remove the product from the box.
- Inspect the product carefully to make sure no breakage or damage occurred during shipping.
- Do not discard the packing material until you have carefully inspected and satisfactorily operated the product.
- Please dispose of this packaging by recycling rather than in the normal household waste.
- If any parts are damaged or missing please call the Pope Customer Service Centre on 1300 134 880 for assistance.

Packing List

Pressure Washer (1)

Trigger Gun with 5 m of high pressure hose (1)

Adjustable Spray Lance (1)

Turbo Lance (1)

Accessory Bracket (1)

Screws (3)

Nozzle Cleaning Pin (1)

Operator's Manual (1)

ASSEMBLY

Product Layout and Descriptions

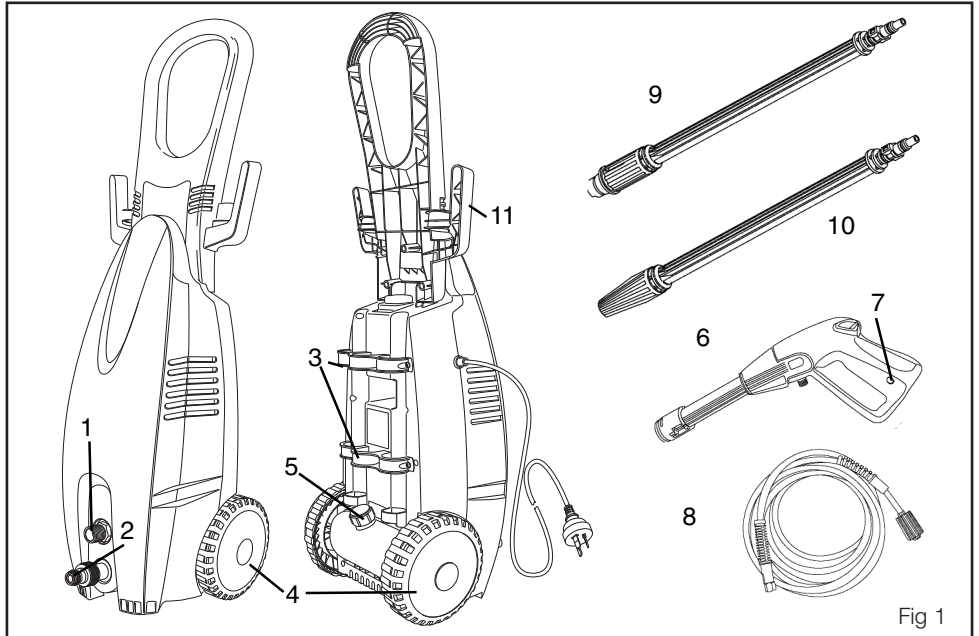


Fig 1

- | | | |
|-----------------------|--------------------------------|-------------------------------|
| 1. Water outlet | 5. Integrated detergent bottle | 9. Spray Lance |
| 2. Water inlet | 6. Trigger Gun | 10. Turbo Lance |
| 3. Accessory brackets | 7. Safety trigger lock | 11. Hose and Power cord hooks |
| 4. Wheels | 8. High pressure hose | |

SPECIFICATIONS

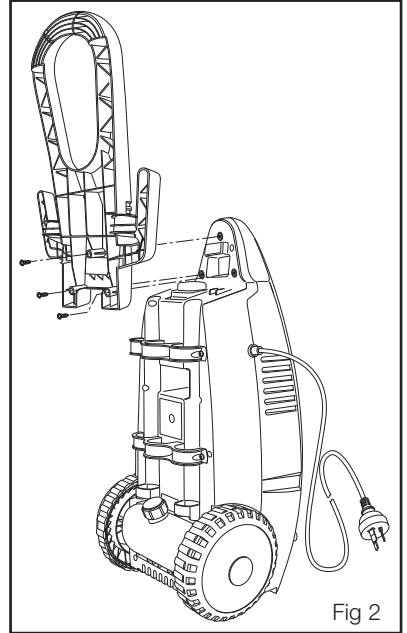
| | |
|--------------------------------------|-----------------------|
| Name | Pope TURBO POWER WASH |
| Model Number | 101HPW1800 |
| Rated Power | 1800W |
| AC motor | 220-240V~50Hz |
| Operating Pressure | 10 Mpa (100 bar) |
| Maximum Pressure | 15 Mpa (150 bar) |
| Flow Rate | 5 litres per minute |
| High Pressure Hose Length | 5 metres |
| Min Operating Temperature | 0°C |
| Max Operating Temperature | 40°C |
| Pump | Aluminium |
| Inlet Water Pressure | 0.15-0.6 Mpa |
| Sound Power Level Lwa | 94.2 dB (A) |
| Vibration Level | 6.7m/s ² |
| Moisture Protection | IPX5 |
| Protection Class of Electrical Shock | Class |

Assembling the Accessory Bracket to the Pressure Washer

See Fig 2

Follow these steps to attach the accessory bracket.

1. Position the accessory bracket on the back of the pressure washer as shown.
2. Firmly attach either side using screws as supplied. It should be positioned at about 90 degrees to the correct position.

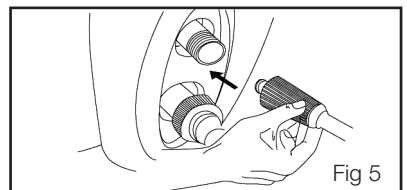
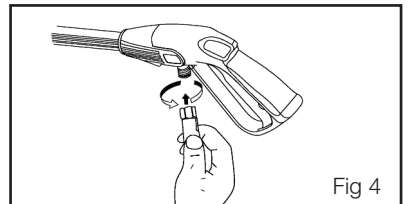
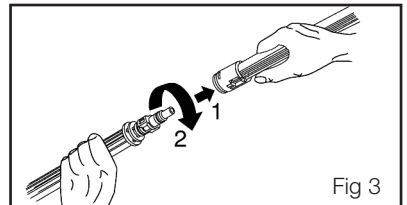


Assembling the Spray Lance and Hose to the High Pressure Washer

See Fig 3, Fig 4 and Fig 5

Follow these steps to attach the Spray Lance.

1. Fit the spray lance into the trigger gun by rotating it until the two parts are aligned with each other. Firm inward pressure is then applied until the two parts are fully "home". Rotate to lock the trigger unit to the spray lance (Fig 3).
2. Ensure that all connections are secure and aligned.
3. Connect the trigger gun to the high pressure hose by screwing firmly in place. Do not overtighten (Fig 4).
4. Firmly connect the hose to the pressure washer, ensuring that the threads are correctly aligned and tighten. Do not overtighten (Fig 5).



OPERATION

Starting the Pressure Washer – Using a Garden Tap

Follow these steps to operate the High Pressure Washer.

1. Ensure that the switch is in the off position.
2. Connect garden hose from the tap to the inlet of the pressure washer. The water inlet is located on the opposite side to the on / off switch. Ensure all connections are secure.
3. Insert the electrical plug into a suitable outlet and turn on the power.
4. Turn the water on at the tap. Water pressure should not exceed 500kPa (5 bar). Ensure that the unit is receiving water correctly. Operating the High Pressure Washer without water could damage the pump seals.
5. Before switching the unit on, depress the trigger for a few seconds so that air can escape and to discharge any residual pressure in the pipes.
6. Keep the trigger depressed and turn the switch on to start the motor.



WARNING: Always handle the spray lance with two hands, especially when engaging the trigger, to reduce the risk of the lance moving suddenly with high pressure.

Note: When restarting the motor always keep the trigger pressed.



CAUTION: The Pressure Washer must only be used with clean water; use of unfiltered water or corrosive chemicals will damage the cleaner.

Note: The water intake temperature must not exceed 40°C.

AUTO STOP SYSTEM

Note: This Pressure Washer has an **AUTO STOP SYSTEM**. This means that when the trigger is released during use, the pump will automatically stop, thereby promoting longer pump life and saving water and energy. The pump will restart when the trigger is depressed again for use.

SAFETY SHUT-OFF

Note: This unit is equipped with an automatic safety valve. When the water pressure is enough, the safety valve will open automatically. As this occurs automatically the safety valve is not adjustable.

Working with the Pressure Washer

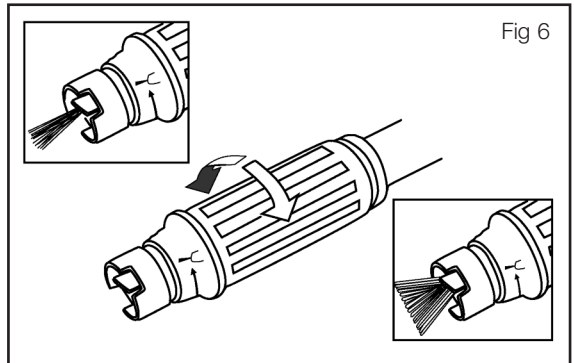
1. Always ensure the unit is standing upright and that ventilation grills are not obstructed during use.
2. Do not move the pressure washer by pulling on the electrical cord or the high pressure hose. Use the handle provided.
3. Position the cleaner as near as possible to the water supply.
4. The cleaner must be used standing on a secure, stable surface.
5. To avoid any risk of damage to the surface being cleaned a minimum distance of 300 mm (30 cm) should be maintained between the surface of the object being cleaned and the spray nozzle.
6. Never clean surfaces that are already damaged e.g. flaking or scratched paint work, eroded stone or brickwork or other masonry, or rusted fences, sheds etc.
7. Take care when cleaning pavers in which the cracks and joins have been filled with paving sand or similar. This may be dislodged if the spray is directed at this area.

Adjusting the spray on the lance

See Fig 6

Follow these instructions to adjust the lance from a stream to a fan

1. Twist to reduce the water flow.
2. Open to increase the water flow.



SPRAY LANCE SAFETY LOCK

Whenever you need to stop the machine it is advisable to use the built-in safety lock on the spray handle. Pressing this button ensures that the trigger cannot be inadvertently operated.

Using Detergent

See Fig 7

Follow these instructions to apply detergent.

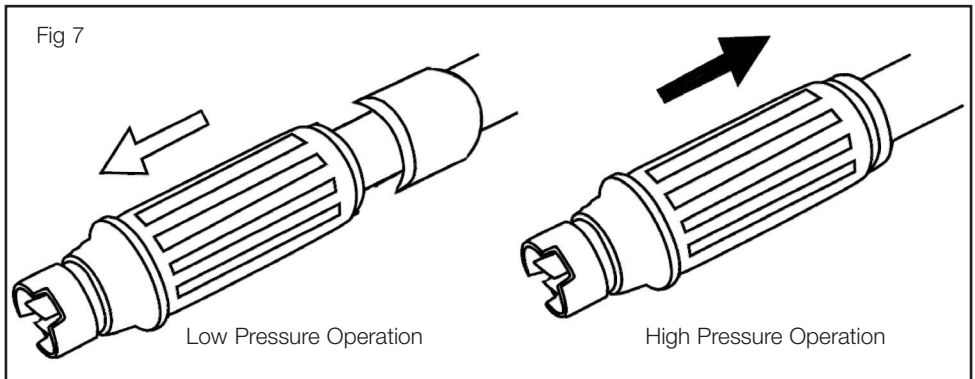
Note: Use only liquid detergent recommended for the purpose. The use of other cleaning agents or chemicals may adversely affect the safety of the appliance. Use sparingly to help conserve the environment.



CAUTION Liquid detergent must always be sprayed at low pressure.

When using detergent be aware of where the detergent will run off.

1. Only use the spray lance when using detergent. The turbo lance should not be used.
2. Pour the appropriate amount of detergent into the tank.
3. Pull the nozzle at the end of the spray lance outward (Fig 7). This will change the spray to low pressure and will allow the detergent to be drawn from the detergent tank.



4. Dissolve dirt by applying detergent onto the surface of the object being cleaned. On vertical surfaces work from the bottom upwards.
5. Leave the detergent to act for a few minutes but do not allow it to dry out.
6. To rinse, push the nozzle inwards to return to high pressure. This will mean that detergent will not be drawn from the detergent tank.
7. Keep the nozzle at least 30 cm away from the surface being rinsed, working from the bottom upwards.

AFTER USE

Discharge all residual pressure before disconnecting the cleaner hose.

STORAGE AND MAINTENANCE

Storage

When cleaning is finished:

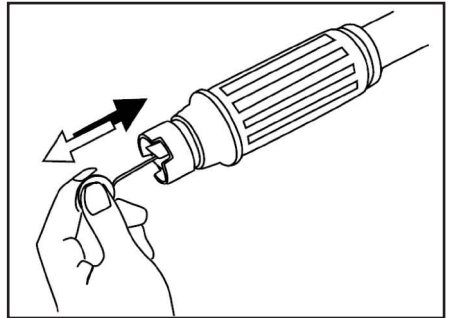
- Switch off the High Pressure Washer at the on/off switch on the unit.
- Turn off the water supply at the tap.
- Discharge residual pressure by pressing the trigger until no more water comes out of the nozzle.
- Engage the safety gun lock.
- Remove the plug from the socket.
- In areas prone to frost or freezing temperatures always ensure that the Pressure Washer has been completely emptied of water and is stored in a frost – free area.



MAINTENANCE

The High Pressure washer should be cleaned each time after detergent has been used.

Clean the nozzle with the tool provided.
Remove dirt from the nozzle hole with the needle supplied and rinse it with water.



TROUBLE SHOOTING – *continued*

| TROUBLESHOOTING | | | | | | | | | | | |
|-----------------|--|--|--|---|--|---|---|---|--------------------------------|---|----------|
| PROBLEM | | The pump does not operate at the prescribed pressure | | | | | | | | | |
| | | Sudden changes in pump pressure | | | | | | | | | |
| | | The motor buzzes but fails to start | | | | | | | | | |
| | | Motor does not start | | | | | | | | | |
| | | Water leakages | | | | | | | | | |
| | | Excess noise | | | | | | | | | |
| | | Oil leaks | | | | | | | | | |
| | | Power cable damaged | | | | | | | | | |
| POSSIBLE CAUSES | Nozzle worn | √ | | | | | | | | Replace nozzle | REMEDIES |
| | Water filter fouled | √ | | | | | | | | clean filter | |
| | Water supply pressure low | √ | | | | | | | | Turn on the water supply tap fully | |
| | Air being sucked into the system | √ | | | | | √ | | | Check that hose fittings are tight | |
| | Air in pump | √ | | | | | | | | Switch off the cleaner and operate the gun until a steady flow of water is obtained. Then switch cleaner back on. | |
| | Adjustable nozzle incorrectly positioned wrongly | √ | | | | | | | | Pull adjustable nozzle back (+) | |
| | Water suction from external tank | √ | | | | | | | | Connect cleaner to main water supply | |
| | Water temperature too high | √ | | | | | √ | | | Reduce temperature | |
| | Nozzle clogged | √ | | | | | | | | Disconnect power supply, discharge pressure and clean with tool provided | |
| | Worn seals | | | | | √ | | √ | | Have seals replaced by an authorized service centre | |
| | No electrical power | | | | | √ | | | | Check that the plug is firmly in the socket and that mains power is present. See also (§) | |
| | Supply voltage below required minimum | | | √ | | | | | | Check the voltage of the mains supply line | |
| | Voltage loss due to use of extension cable of inadequate cross-section or excessive length | | | √ | | | | | | Consult instructions regarding extension cables | |
| | High pressure cleaner in disuse for long time | | | √ | | | | | | Contact nearest service centre | |
| | | | | | | | | √ | Contact nearest service centre | | |

§If the motor stops and fails to restart, wait 2-3 minutes before restarting. THERMAL CUTOUT TRIPPED. If this fault occurs more than once, contact your service centre.

WARRANTY

You must keep your receipt as proof of purchase for return of the product under the terms of this warranty.

Your Pope product is guaranteed to be free from defects in materials or workmanship for a period of 24 months from the date of purchase provided the product has been used in accordance with the manufacturer's recommendations.

If the product becomes defective within the warranty period we guarantee to either replace or repair the product at our option, provided that:

- The product is returned to the place of purchase with evidence of purchase i.e. the receipt.
- The product is used for general household use only, where household use means use of the product on the same lot as your home. Use at more than one location is considered commercial use and no warranty applies for commercial use.
- The product has not been used for hire purposes.
- Repairs, alterations or modifications have not been attempted to the product.
- The failure is not as a result of normal wear and tear.

Failures due to the following are not covered:

- Replacing worn or damaged hoses, lances, wheels, detergent tanks, adaptors or cables etc. damaged in storage or during use.
- Failures as a result of sudden impact or obvious abuse.
- Failures due to usage not in accordance with instructions and recommendations contained in this manual.

To the fullest extent permitted by law Toro Australia Pty Ltd is not liable for any indirect, incidental, or consequential loss or damage in connection with the use of the Pope product covered by this warranty or for any cost or expense of providing substitute equipment or service during any period of malfunction or non-use pending completion of repairs under this warranty.

The above warranty does not exclude any condition or warranty implied by the Trade Practices Act 1974 or any other relevant legislation which implies any condition which cannot be excluded.

NOTES

NOTES



Pope® is a Registered Trademark of Toro Australia Pty Ltd
53 Howards Rd Beverley South Australia 5009

Made in China to Pope's Specifications