



# POPE

## **2-IN-ONE POWER WASH AND VAC**

**1800W Electric High Pressure Cleaner  
with**

**800W Reversible Air Flow Vacuum**

Model No. 101HPV1800  
(101HPWASH1800 & 101HPVAC1800)

## **Operator's Manual**



### **WARNING**

To reduce the risk of injury, the user must read and understand the Operator's Manual. Save this manual.

## Introduction

Thank you for purchasing a Pope product.

We would like you to be completely satisfied with your new product, so feel free to contact Pope for help with any information you require.

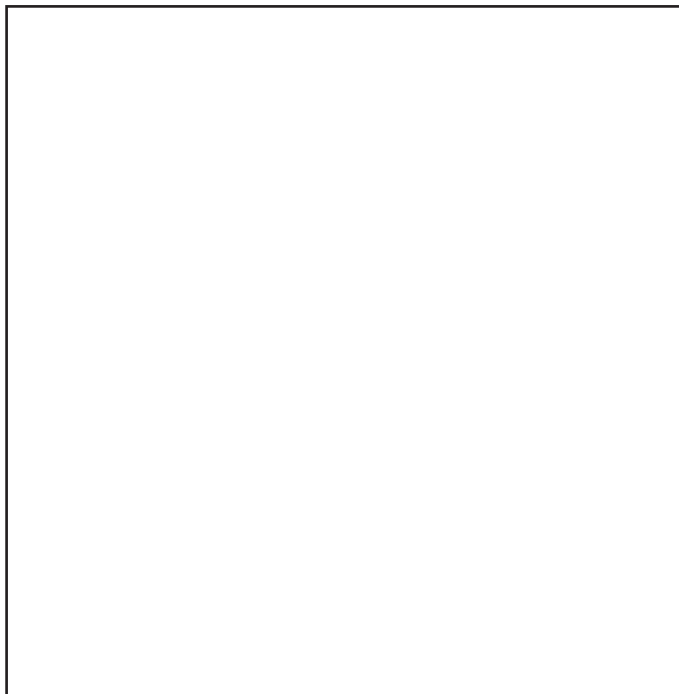
Pope's Customer Service centre number is 1300 134 880.

Please read this manual carefully to learn how to operate and maintain your product correctly. It is important to consult these instructions in order to acquaint yourself with the tool, its proper use and safety precautions.

Please observe the general maximum operating times as well as local regulations for tool operation.

Should this product require repair under the conditions of the warranty, please return it to the place of purchase. You will need to provide proof of purchase to obtain a replacement.

**Keep these instructions in a safe place.  
For your records, attach your receipt here.**



# SAFETY RULES

---



## WARNING

**Read and understand all instructions.** Failure to follow all instructions may result in serious personal injury as well as damage to the product.

- **Physical Condition of the Operator.** Do not operate this product when tired, ill or under the influence of alcohol, drugs or medication.
- **Clothing Requirements:** Do not wear loose clothing, jewellery, short pants, sandals or go barefoot. Secure hair so that it is above shoulder level to avoid entanglement in moving parts.
- **Warning: Do not use the appliance within range of persons unless they wear protective clothing.**
- **Protective Accessories Requirements.** Wear safety eye protection when operating this product.
- **Condition of Product Before Use.** Inspect condition of the product before use. Only operate the tool when it is in good working order and is not damaged in any way. Damaged parts have to be replaced immediately by a qualified electrician. Never use the tool if any of its safety devices or guards are damaged or missing.
- **Proper Stance.** Keep firm footings and balance. Do not overreach.
- **Exercise Caution to Avoid Slipping or Falling.**
- **Work Area.** Before starting any cleaning operation clear the area to be cleaned before each use. Remove all objects such as rocks, broken glass, nails, wire, debris, toys, outdoor furniture or anything that may be a hazard. Clear the area of bystanders, pets and children. If you are approached while operating the product, stop the motor.
- **Never direct a Water Stream towards people, pets or any electrical device including the pressure washer itself. Do not direct the jet against yourself or others in order to clean clothes or foot-wear.**
- **Warning: High Pressure jets can be dangerous if subject to mis-use.**
- **Condition of Pressure Washer before use.** The High Pressure Washer shall be assembled according to the manufacturer's instructions. Failure to use the proper parts may cause product failure or increase the risk of injury to the user.
- **Use the Right Product.** This Pressure Washer should only be used for cleaning outdoors. Ensure doors and windows are closed before operation. This pressure washer can be used on machines, vehicles, outdoor areas, garden equipment and outdoor products such as outdoor furniture etc.
- **Visually inspect the area / surface to be cleaned.** The machine should not be used to clean surfaces that are already damaged or worn e.g. flaking or scratched paint, crumbling brickwork or masonry or products that have rust etc.
- **Use of Product.** Never allow children to use the tool. Never allow other persons who are not familiar with the operating instructions to use the tool. Never use the tool when there are people, particularly children or pets nearby.

## **SAFETY RULES – *continued***

---

- **Responsibility.** The user is responsible for any accidents or hazards suffered by third parties or their property.
- **Use only hoses, fittings and couplings recommended by the manufacturer.**
- **Do not jam the trigger in the operational position.**
- **Do not move the Pressure Washer by pulling the electrical cable.**
- **COMPLY WITH REQUIREMENTS AND RESTRICTIONS IN PLACE BY YOUR LOCAL WATER AUTHORITY.**
- **Discharge residual pressure before disconnecting the hose.**
- **Maintenance.** Switch off the tool and pull plug from the socket before carrying out any cleaning or maintenance work.
- **Outdoor Use.** When working outdoors, use only extension cables which are approved for outdoor use.
- **Plugs.** Plug connections must have earthing contacts and be protected from water. If an extension cord is used, the plug and socket must be of watertight construction.  
**Warning: Inadequate extension cords can be dangerous.**
- **The electric supply connection shall be made by a qualified electrician and comply with IEC 60364-1.**

**It is recommended that the electric supply to this appliance should include either a residual current device that will interrupt the supply if the leakage current to earth exceeds 30mA for 30ms or a device that will prove the earth circuit.**

---

## Applications

Only use this product outdoors. Ensure that windows and doors are fully closed.

This product can be used – but is not limited to – the following applications:

- Cleaning outdoor surfaces including pavers and concrete, cars, boats, machinery and garden equipment.
- Outdoor furniture, barbecues and general cleaning around the home.
- When removing stubborn dirt and grime with detergent, use only highly biodegradable types.
- Only clean vehicle engines or other items containing oil, grease etc. in areas where suitable oil traps are installed.
- Vacuuming dust, light dirt and debris from cars, boats, caravans etc.
- Inflating air mattresses, balloons, etc.

The Pope 2-IN-ONE POWER WASH AND VAC is designed to be used in domestic applications and should only be operated within its design limitations. Tools of this category which are designed for home and garden use should only be operated in such settings. Tools of this category are not suitable for use in public facilities, parks and sports centres, vehicle cleaning services or for any commercial type application.

## Unpacking

- Carefully remove the product from the box.
- Inspect the product carefully to make sure no breakage or damage occurred during shipping.
- Do not discard the packing material until you have carefully inspected and satisfactorily operated the product.
- Please dispose of this packaging by recycling rather than in the normal household waste.
- If any parts are damaged or missing please call the Pope Customer Service Centre on 1300 134 880 for assistance.

## Packing List

Pressure Washer Body (1)	Nozzle Cleaning Pin (1)
Accessory Shelf (1)	Operator's Manual (1)
Left and Right Arm Handles (2)	Vacuum Unit (1)
Upper Handle (1)	Vacuum Hose (1)
Lance Bracket (1)	Crevice Nozzle (1)
Lance Rest (1)	Upholstery Nozzle (1)
Trigger Gun with 5m of High Pressure Hose (1)	Vacuum Brush (1)
Phillips Head Screw (10)	

# ASSEMBLY

---

## SPECIFICATIONS

Name	Pope 2-IN-ONE POWER WASH AND VAC
Model Number	101HPV1800 (101HPWASH1800 & 101HPVAC1800)
Rated Power – Pressure Washer	1800W
AC Motor – Pressure Washer	220-240V~50Hz
Operating Pressure	10 Mpa (100 bar)
Maximum Pressure	15 Mpa (150 bar)
Flow Rate	5 litres per minute
High Pressure Hose Length	5 metres
Min Operating Temperature	0°C
Max Operating Temperature	40°C
Weight	17 kg
Pump	Aluminium with 3 stainless steel pistons
Rated Power – Vacuum	800W
AC Motor – Vacuum	220-240V~50Hz
Inlet Water Pressure	0.15-0.6 Mpa
Sound Power Level Lwa	78 dB (A)
Vibration Level	0.7m/s <sup>2</sup>
Max. Power – Socket Outlet	1200W
Moisture Protection	IPX5
Protection Class of Electrical Shock – Vacuum Cleaner	Class
Protection Class of Electrical Shock – Pressure Washer	Class

## Product Layout and Descriptions

### FRONT ASSEMBLY

See Fig 1

1. Upper Handle
2. Left and Right Arm Handles
3. Accessory Shelf
4. Water Inlet
5. Water Outlet
6. Soap Bottle Switch
7. Power Switch for High Pressure Washer

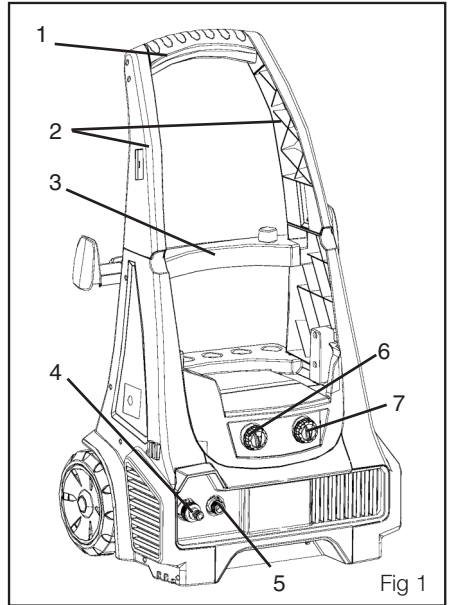


Fig 1

### BACK ASSEMBLY

See Fig 2

1. Socket
2. Right Soap Bottle
3. Left Soap Bottle
4. Button for right Soap Bottle
5. Button for left Soap Bottle

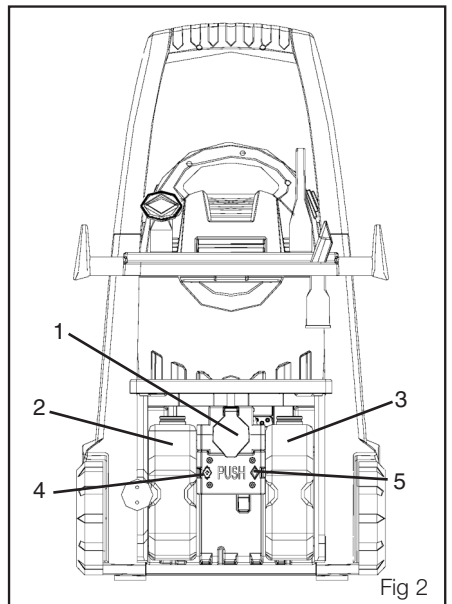


Fig 2

## Assembling the Pressure Washer

See Fig 3

Follow these steps to assemble the pressure washer.

1. Position the accessory bracket on the back of the pressure washer by pressing the bracket into the recesses on the arms. Screw firmly in place through the side of the arms.
2. Place the two arms on the top of the pressure washer ensuring that the arms lean backward as portrayed in Figure 2. These lock into place and should then be secured in place with two screws.
3. Place the handle between the two arms and screw into place.
4. Snap the lance bracket in place into the top of the arm.
5. Snap the lance rest in place near the bottom of the unit.

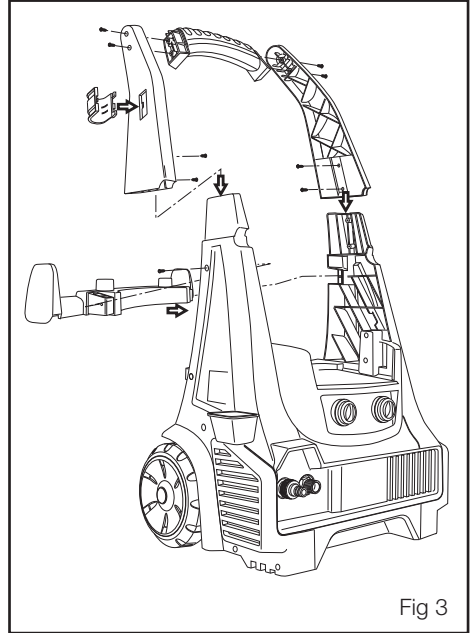


Fig 3

## Assembling the Spray Lance and Hose to the High Pressure Washer

See Fig 4, Fig 5 and Fig 6

Follow these steps to attach the Spray Lance.

1. Fit the lance into the trigger gun by rotating it until the two parts are locked together in place. (Fig 4).
2. Connect the trigger gun to the high pressure hose. (Fig 5).
3. Connect the high pressure hose to the water outlet on the main body of the High Pressure Washer. (Fig 6).

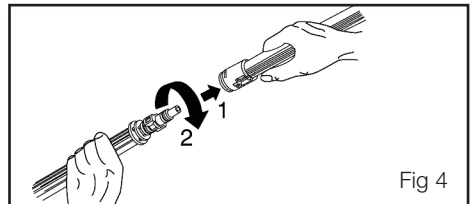


Fig 4

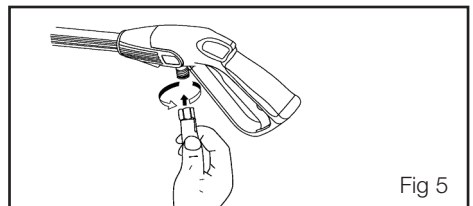


Fig 5

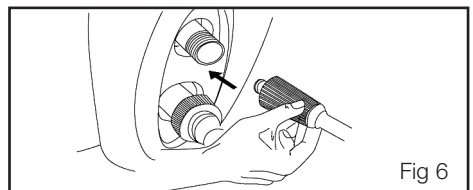


Fig 6



### Assembling the Vacuum with the Pressure Washer

See Fig 7

Follow these steps to install the Vacuum Cleaner into the Pressure Washer Housing.

1. Remove vacuum cleaner from the packaging.
2. Guide the vacuum cleaner so that the slots in the side of the vacuum slide into the side of the arms.
3. Ensure the base of the vacuum rests securely on the pressure washer.

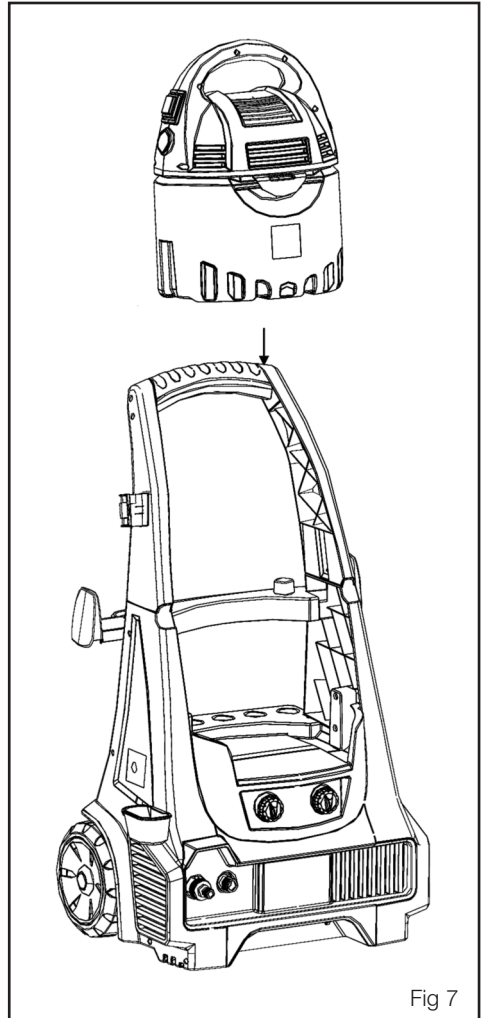


Fig 7

# OPERATION

## Starting the Pressure Washer – Using the Dials

See Fig 8 and Fig 9

Follow these steps to understand the dials on the pressure washer unit.

1. Two dials exist on the pressure washer unit.
2. The dial on the left dispenses the soap from the soap bottles at the back of the pressure washer unit.
3. The dial on the right operates the pressure washer unit.
4. When operating the pressure washer turning the dial to the left (position A) will allow the power source at the back of the pressure washer unit to be operational, but the pressure washer will not work. This is the position needed if operating the vacuum unit when plugged into the power source at the back.
5. When the dial is positioned in the middle (Position B) the pressure washer and the power source at the back of the unit are both off.
6. When the dial is positioned to the right, (Position C) the pressure washer will operate, but not the power source at the back.

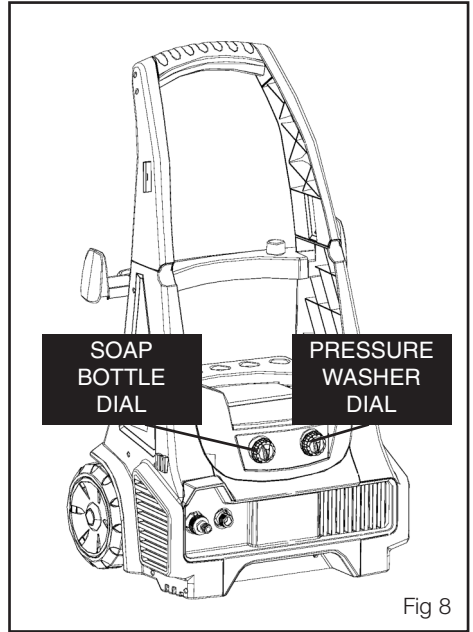


Fig 8

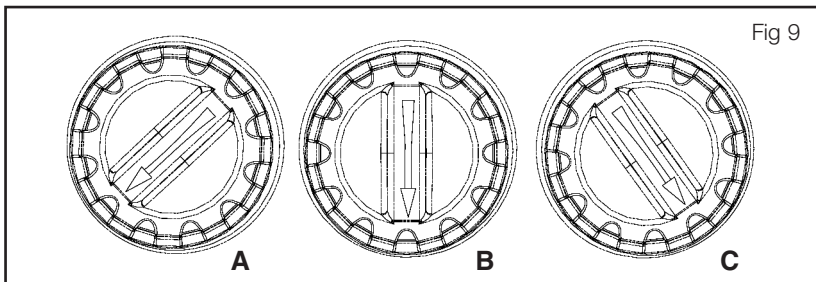


Fig 9

### Starting the Pressure Washer – Using a Garden Tap

Follow these steps to operate the High Pressure Washer.

**Note:** The pressure washer can be operated with or without the vacuum stowed on board.

1. Connect garden hose from the tap to the pressure washer. Ensure all connections are secure.
2. Turn the water on at the tap. Water pressure should not exceed 500 kPa (5 bar). Ensure that the unit is receiving water correctly. Operating the High Pressure Washer without water could damage the seals.
3. Before switching the unit on, depress the trigger for a few seconds so that air can escape and to discharge any residual pressure in the pipes.
4. Keep the trigger depressed and turn the switch on to start the motor.
5. The pressure washer switch to the right operates the pressure washer.



**WARNING:** Always handle the spray lance with two hands, especially when engaging the trigger, to reduce the risk of the lance moving suddenly with high pressure.

**Note:** When restarting the motor always keep the trigger pressed.



**CAUTION:** The Pressure Washer must only be used with clean water; use of unfiltered water or corrosive chemicals will damage the cleaner.

**Note:** The water intake temperature must not exceed 40°C.

#### **AUTO STOP SYSTEM**

**Note:** This Pressure Washer has an **AUTO STOP SYSTEM**. This means that when the trigger is released during use, the pump will automatically stop, thereby promoting longer pump life and saving water and energy. The pump will restart when the trigger is depressed again for use.

#### **SAFETY SHUT-OFF**

**Note:** This unit is equipped with an automatic safety valve. When the water pressure is enough, the safety valve will open automatically. As this occurs automatically the safety valve is not adjustable.

### Working with the Pressure Washer

1. Always ensure the unit is standing upright and that ventilation grills are not obstructed during use.
2. Do not move the pressure washer by pulling on the electrical cord or the high pressure hose. Use the handle provided.
3. Position the cleaner as near as possible to the water supply.
4. The cleaner must be used standing on a secure, stable surface.
5. To avoid any risk of damage to the surface being cleaned a minimum distance of 300 mm (30 cm) should be maintained between the surface of the object being cleaned and the spray nozzle.
6. Never clean surfaces that are already damaged e.g. flaking or scratched paint work, eroded stone or brickwork or other masonry, or rusted fences, sheds, etc.
7. Take care when cleaning pavers in which the cracks and joins have been filled with paving sand or similar. This may be dislodged if the spray is directed at this area.

### TOTAL STOP SYSTEM

This unit operates with a TOTAL STOP SYSTEM.

When the trigger from the spray lance is released, the TOTAL STOP SYSTEM is activated and switches off the pump until the trigger is depressed once more.

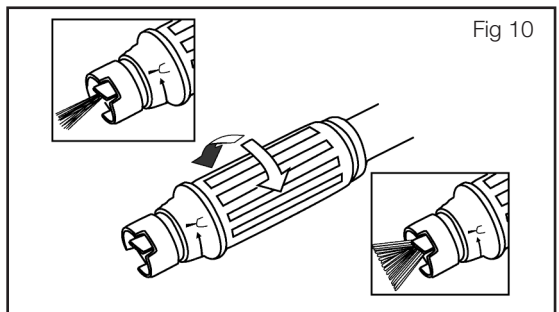
This results in minimum power and water consumption to protect the life of the pump.

### Adjusting the Spray on the Lance

See Fig 10

The spray on the lance can be adjusted from stream to fan.

1. Twist to reduce the water flow.
2. Open to increase the water flow.




### SPRAY LANCE SAFETY LOCK

Whenever you need to stop the machine it is advisable to use the built-in safety lock on the spray handle. Pressing this button ensures that the trigger cannot be inadvertently operated.

## USING DETERGENT

See Fig 11, Fig 12 and Fig 13

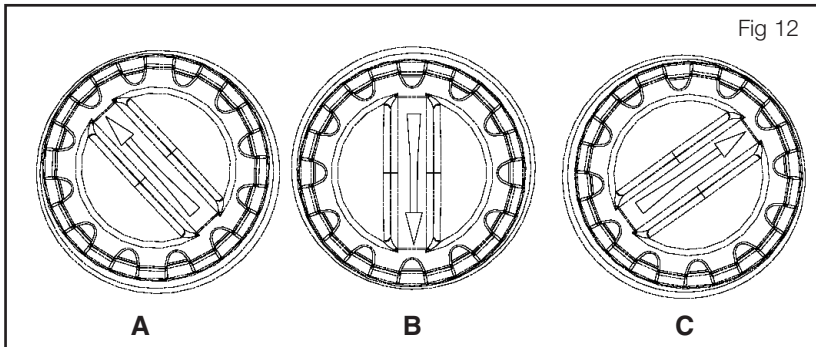
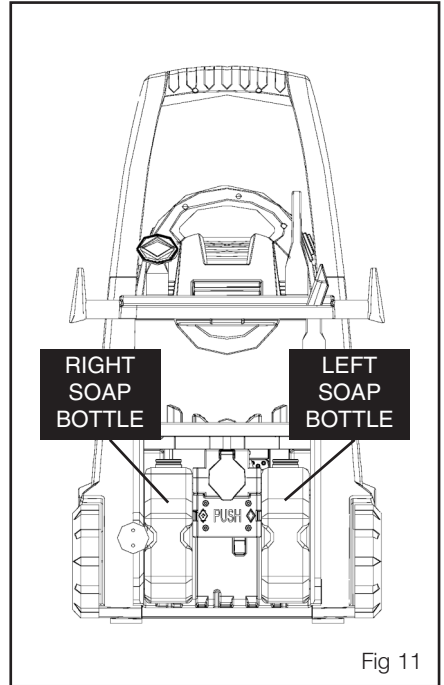
**Note:** Use only liquid detergent recommended for the purpose. The use of other cleaning agents or chemicals may adversely affect the safety of the appliance. Use sparingly to help conserve the environment.



**CAUTION** Liquid detergent must always be sprayed at low pressure.

When using detergent be aware of where the detergent will run off.

1. Pour detergent into either left or right detergent tank.
2. Ensure that the detergent tank is ready for use by selecting the correct tank, using the dial on the **left** of the pressure washer. Position A will select the left tank, position B will turn off both detergent tanks and position C will use the right detergent tank.

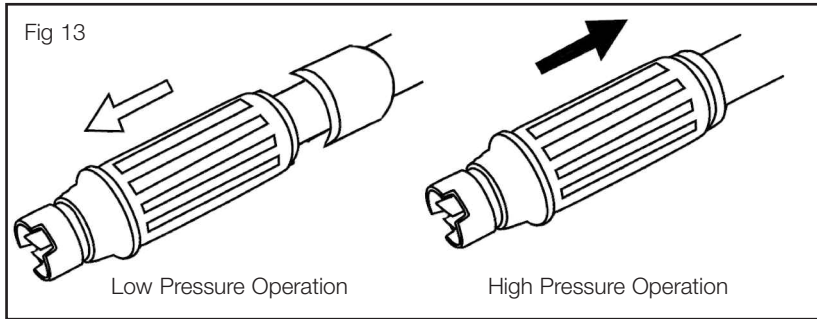


**Note:** The tanks at the back of the pressure washer must be positioned from the front view. Therefore when looking from the rear of the unit, the tank positioned at the left is the right tank, and the tank on the right when looking from the rear is the left.

3. Adjust nozzle on spray lance to low pressure position by pulling the nozzle outward. This will ensure that detergent is drawn from the detergent tank.

## OPERATION – *continued*

4. Dissolve dirt by applying detergent onto the surface of the object being cleaned. On vertical surfaces work from the bottom upwards.
5. Leave the detergent to act for a few minutes but do not allow it to dry out.
6. Restore the spray lance to the high pressure position by pushing the nozzle back into position. Use the high pressure jet to remove detergent.
7. Keep the nozzle at least 30 cm away from the surface being rinsed, working from the bottom upwards.



## AFTER USE

Discharge all residual pressure before disconnecting the cleaner hose and drain detergent from the detergent tank.

## OPERATING THE VACUUM UNIT

The vacuum unit can be operated independently from the pressure washer or as part of the washer unit. The vacuum cleaner can be directly connected with socket outlet. The socket is not to be connected to other electric appliance's.

Follow these steps to operate the vacuum as part of the pressure washer unit.

**Note:** Always ensure the filter is correctly positioned and is not blocked or clogged with lint or other debris. Clean after each use.

1. Plug the vacuum unit into the power source at the back of the pressure washer.
2. Ensure that the right dial on the pressure washer unit is turned to the left to operate the power source.

### Using the Vacuum

Follow these steps to operate the vacuum function.

1. To vacuum, attach the vacuum hose to the side closest to the on / off switch.
2. Switch vacuum on.
3. The vacuum function will clean dry debris such as dust as well as vacuuming up wet spills. Avoid vacuuming large or heavier objects as they may lower the performance of the unit.

Follow these steps to operate the air blowing / inflating function.

1. Attach the vacuum hose to the other side of the on / off switch.
2. Switch vacuum on.
3. This function can be used to blow light debris from surfaces or to inflate items such as balloons, air mattresses, etc.

### Emptying the Vacuum

Follow these steps to empty the vacuum.

1. Switch off vacuum unit and remove plug from the power source.
2. Open vacuum lid by depressing the front tab and lifting off.
3. Dust, debris and liquid can be emptied directly from the base unit into an appropriate waste container.
4. If required the inside of the base of the unit can be cleaned with a damp cloth. DO NOT fill with water.

**Note:** Ensure the filter remains in tact when removing and replacing the vacuum lid.

# MAINTENANCE

---

## STORAGE

When cleaning is finished:

- Switch off the High Pressure Washer at the on/off switch on the unit.
- Turn off the water supply at the tap.
- Discharge residual pressure by pressing the trigger until no more water comes out of the nozzle.
- Engage the safety gun lock.
- Drain detergent from the tank.
- Remove the plug from the socket.
- In areas prone to frost or freezing temperatures always ensure that the Pressure Washer has been completely emptied of water and is stored in a frost – free area.

## MAINTENANCE

The High Pressure washer should be cleaned each time after detergent has been used.

### Cleaning the Nozzle

See Fig 14

1. Clean the nozzle with the tool provided.
2. Remove dirt from the nozzle hole with the needle supplied and rinse it with water. (Fig 14).

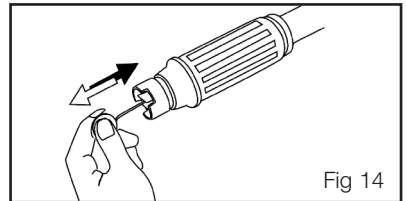


Fig 14

### Cleaning the Filter of the Vacuum Unit

1. Switch off vacuum unit and remove plug from power source.
2. Open lid of vacuum unit.
3. Remove band holding filter in place. Shake air filter to remove possible dust and lint build-up.
4. Replace firmly in position.
5. If the filter is worn or torn, replace filter immediately. Never use the vacuum unit with filter.



# TROUBLE SHOOTING

TROUBLESHOOTING										
PROBLEM	The pump does not operate at the prescribed pressure									
	Sudden changes in pump pressure									
	The motor buzzes but fails to start									
	Motor does not start									
	Water leakages									
	Excess noise									
	Oil leaks									
Power cable damaged										
POSSIBLE CAUSES	Nozzle worn	√								Replace nozzle
	Water filter fouled	√								clean filter
	Water supply pressure low	√								Turn on the water supply tap fully
	Air being sucked into the system	√					√			Check that hose fittings are tight
	Air in pump	√								Switch off the cleaner and operate the gun until a steady flow of water is obtained. Then switch cleaner back on.
	Adjustable nozzle incorrectly positioned wrongly	√								Pull adjustable nozzle back (+)
	Water suction from external tank	√								Connect cleaner to main water supply
	Water temperature too high	√					√			Reduce temperature
	Nozzle clogged	√								Disconnect power supply, discharge pressure and clean with tool provided
	Worn seals					√		√		Have seals replaced by an authorized service centre
	No electrical power				√					Check that the plug is firmly in the socket and that mains power is present. See also (§)
	Supply voltage below required minimum			√						Check the voltage of the mains supply line
	Voltage loss due to use of extension cable of inadequate cross-section or excessive length			√						Consult instructions regarding extension cables
	High pressure cleaner in disuse for long time			√						Contact nearest service centre
								√	Contact nearest service centre	

REMEDIES

§If the motor stops and fails to restart, wait 2-3 minutes before restarting. THERMAL CUTOUT TRIPPED. If this fault occurs more than once, contact your service centre.

# WARRANTY

---

## **You must keep your receipt as proof of purchase for return of the product under the terms of this warranty.**

Your Pope product is guaranteed to be free from defects in materials or workmanship for a period of 24 months from the date of purchase provided the product has been used in accordance with the manufacturer's recommendations.

If the product becomes defective within the warranty period we guarantee to either replace or repair the product at our option, provided that:

- The product is returned to the place of purchase with evidence of purchase i.e. the receipt.
- The product is used for general household use only, where household use means use of the product on the same lot as your home. Use at more than one location is considered commercial use and no warranty applies for commercial use.
- The product has not been used for hire purposes.
- Repairs, alterations or modifications have not been attempted to the product.
- The failure is not as a result of normal wear and tear.

Failures due to the following are not covered:

- Replacing worn or damaged hoses, lances, wheels, detergent tanks, adaptors or cables etc. damaged in storage or during use.
- Failures as a result of sudden impact or obvious abuse.
- Failures due to usage not in accordance with instructions and recommendations contained in this manual.

To the fullest extent permitted by law Toro Australia Pty Ltd is not liable for any indirect, incidental, or consequential loss or damage in connection with the use of the Pope product covered by this warranty or for any cost or expense of providing substitute equipment or service during any period of malfunction or non-use pending completion of repairs under this warranty.

The above warranty does not exclude any condition or warranty implied by the Trade Practices Act 1974 or any other relevant legislation which implies any condition which cannot be excluded.



Pope® is a Registered Trademark of Toro Australia Pty Ltd  
53 Howards Rd Beverley South Australia 5009

Made in China to Pope's Specifications