



POPE

POWER TRIM

Electric Line Trimmer 380W

Model No. 101LT380

Operator's Manual



WARNING

To reduce the risk of injury, the user must read and understand the Operator's Manual. Save this manual.

Introduction

Thank you for purchasing a Pope product.

We would like you to be completely satisfied with your new product, so feel free to contact Pope for help with any information you require.

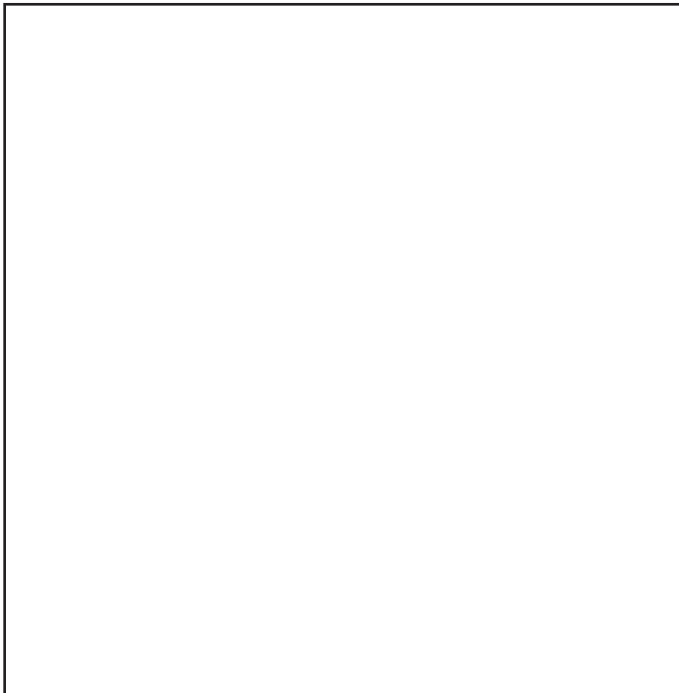
Pope's Customer Service centre number is 1300 134 880.

Please read this manual carefully to learn how to operate and maintain your product correctly. It is important to consult these instructions in order to acquaint yourself with the tool, its proper use and safety precautions.

Please observe the general maximum operating times as well as local regulations for tool operation.

Should this product require repair under the conditions of the warranty, please return it to the place of purchase. You will need to provide proof of purchase to obtain a free of charge repair, or a replacement.

**Keep these instructions in a safe place.
For your records, attach your receipt here.**



SAFETY RULES



WARNING

Read and understand all instructions. Failure to follow all instructions may result in serious personal injury as well as damage to the product.

- **Physical Condition of the Operator.** Do not operate this product when tired, ill or under the influence of alcohol, drugs or medication.
- **Clothing Requirements.** Always wear long heavy pants, boots and gloves. Do not wear loose clothing, jewellery, short pants, sandals or go barefoot. Secure hair so that it is above shoulder level to avoid entanglement in moving parts.
- **Protective Accessories Requirements.** Wear safety eye protection when operating this product. Wear hearing protection during extended periods of operation.
- **Condition of Product Before Use.** Inspect condition of the product before use. Only operate the tool when it is in good working order and is not damaged in any way. Damaged parts have to be replaced immediately by a qualified electrician. Never use the tool if any of its safety devices or guards are damaged or missing.
- **Proper Stance.** Keep firm footings and balance. Do not overreach.
- **Dangerous Environments.** Do not use the product in damp or wet locations. Do not expose the tool to wet conditions.
- **Work Area.** Clear the area to be cut before each use. Remove all objects such as rocks, broken glass, nails, wire, or string that can be thrown or become entangled in the cutting attachment. Clear the area of bystanders, pets and children. At a minimum, keep all bystanders, pets and children outside a 15m radius. Because there still may be a risk to bystanders from thrown objects, bystanders should be encouraged to wear eye protection. If you are approached while operating the product, stop the motor and ensure the line trimmer head has stopped moving.
- **Condition of Line Trimmer before use.** The Line Trimmer shall be assembled according to the manufacturer's instructions. Failure to use the proper parts may cause product failure or increase the risk of injury to the user.
- **Use the Right Product.** This Line Trimmer should be used exclusively for trimming grass, weeds and light undergrowth. Do not use it for any other purpose.
- **Use of Product.** Never allow children or infirm persons to use the tool. Never allow other persons who are not familiar with the operating instructions to use the tool. Never use the tool when there are people, particularly children or pets nearby.
- **Responsibility.** The user is responsible for any accidents or hazards suffered by third parties or their property.
- **Maintenance.** Switch off the tool and pull plug from the socket before carrying out any cleaning or maintenance work.
- **Outdoor Use.** When working outdoors, use only extension cables which are approved for outdoor use.
- **Plugs.** Plug connections must have earthing contacts and be protected from water.

Applications

Use this product for the following applications:

- Cutting grass, weeds and light undergrowth.
- Edging along paths and driveways.

The Pope POWER TRIM Electric Line Trimmer is designed to be used around the home and should only be operated within its design limitations. Tools of this category which are designed for home and garden use should only be operated in such settings. Tools of this category are not suitable for use in public facilities, parks and sports centres, on farms or in the forestry sector.

Unpacking

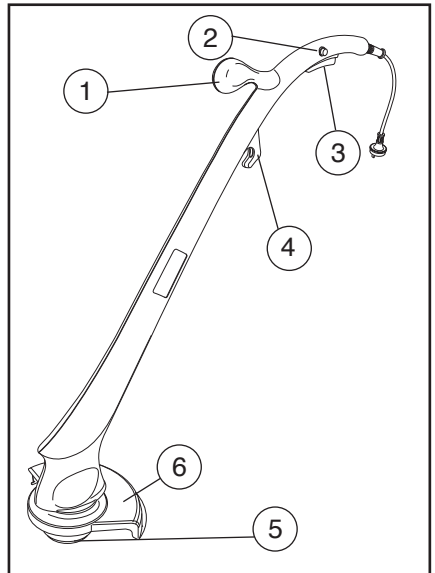
- Carefully remove the product from the box.
- Inspect the product carefully to make sure no breakage or damage occurred during shipping.
- Do not discard the packing material until you have carefully inspected and satisfactorily operated the product.
- If any parts are damaged or missing please call the Pope Customer Service Centre on 1300 134 880 for assistance.

Packing List

- Line trimmer (1)
- Grass Deflector Guard (1)
- Screws (2)
- Instruction Manual (1)

Product Layout and Descriptions

1. Control handle
2. Safety switch
3. On/Off lever
4. Cord lock
5. Trimmer head
6. Grass deflector guard



SPECIFICATIONS

Name	Pope POWER TRIM Line Trimmer
Model Number	101LT380
AC motor	230V 50Hz
Cutting Diameter	250 mm
Rated power	380W
Cutting line thickness	1.4 mm

ASSEMBLY

Attaching the Grass Deflector Guard

See Fig 1 and Fig 2

Follow these steps to attach the Grass Deflector Guard.

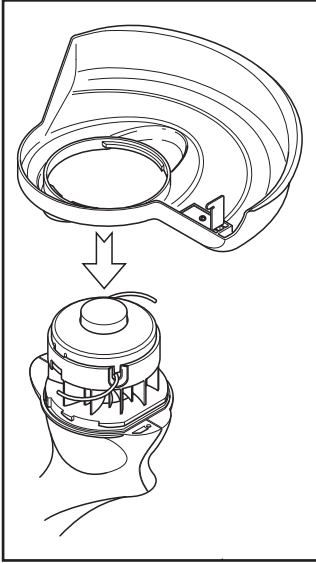


Fig 1

1. Take your trimmer and grass deflector guard out of the packaging.
2. Place the guard over the spool holder on your trimmer lining up the lugs on the guard with the spaces on the trimmer. It should be positioned at about 90 degrees to the correct position. (Fig 1).
3. Once correctly engaged, turn the grass deflector guard to lock it in place. The guard should be facing the rear of the trimmer. (Fig 2).
4. Position the two screws through the guard screw hole and affix firmly in to place.

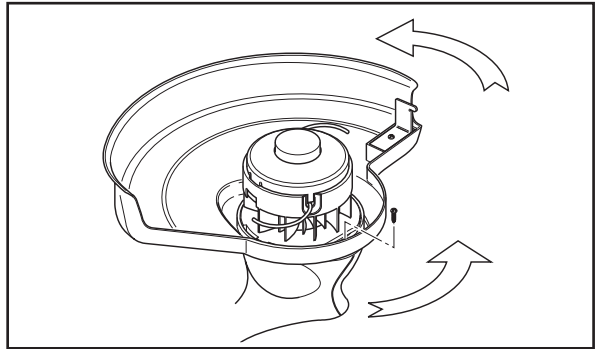


Fig 2



WARNING

Never use the trimmer without the guard. This guard is essential for safety and for the correct operation of the tool.

OPERATION

First Time Use

1. Remove blade protection cover before use.
2. Check that the nylon cutting line touches or passes over the line cutting blade. The nylon cutting line will be cut automatically to the maximum length during operation. If it does not reach the necessary length adjust it by pushing the spool against the ground while it is running.

To Operate the Line Trimmer

See Fig 3

Follow these steps to operate the Line Trimmer:

1. Make a loop with the extension cable and wrap it through the cord lock.
2. Place the end of the loop around cable securing hook and ensure it is pulled firmly enough to prevent it coming loose while operating the trimmer.
3. Insert the plug into the extension cable.
4. Hold the trimmer at waist level.

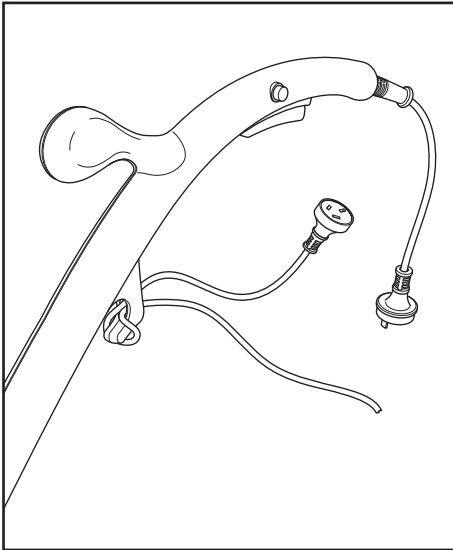


Fig 3

5. Place the product on the right side of your body with the motor behind and away from your body.
6. Start the Line Trimmer and approach the area to be cut.
7. For best cutting, swing the trimmer gently from side to side and walk forward while keeping the trimmer at an angle of 30 degrees to achieve best cutting results.
8. Do not overload your trimmer. It operates best at high speed.
9. To cut long grass, start at the top, take several small cuts. Never cut wet or very damp grass.
10. The line should be protected against premature wear caused by hard obstacles. A worn line will reduce cutting capacity, so adjust the length of nylon wire periodically to keep it in optimum length.

To replace the line spool

See Fig 4

Follow these steps to replace the Line Spool. We recommend the Pope Replacement Spool code 101LTSPPOOL



WARNING

The Line Trimmer head will continue to rotate after the motor is switched off.

1. Disconnect Line Trimmer from the power source.
2. Hold the spool holder in one hand.
3. Depress the two tabs either side of the spool cover to release from the holder.
4. Without removing the spring, take empty spool out of the cover and insert a replacement spool.
5. Push the ends of the line through the metal guides.
6. Squeeze the tabs together, and push the spool cover back over the new spool until the two tabs lock into position.

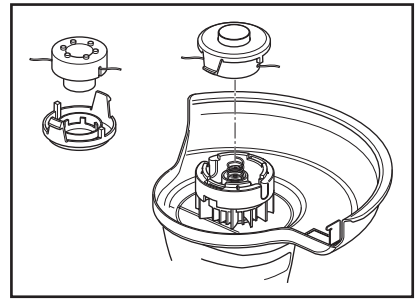


Fig 4

MAINTENANCE

Follow these general maintenance guidelines before each use.

- Check that all nuts, bolts and screws are securely tightened in order to be sure that the machine is in a safe working condition.
- Frequently check the grass catching devices for signs of wear and deformation.
- Only use replacement cutters of the correct type.
- For your own safety, replace worn or damaged parts without delay.

Cleaning

IMPORTANT! All maintenance, service and cleaning work must be performed after the power cord has been disconnected from the socket.

- Do not use high-pressure cleaners or running water to clean the product.
- Do not use any aggressive cleaning agents.
- Remove deposited matter from the protective guard using a brush.
- Use a damp rag to wipe dirt marks off of the product.
- Dirt and grime can make the switch more difficult to operate as a result of the material that swirls up off the ground. When this occurs, simply depress the switch a few times, which should bring it back to normal.

Storage

Electric tools should be kept in a dry place when not in use.

WARRANTY

You must keep your receipt as proof of purchase for return of the product under the terms of this warranty.

Your Pope product is guaranteed to be free from defects in materials or workmanship for a period of 24 months from the date of purchase provided the product has been used in accordance with the manufacturer's recommendations.

If the product becomes defective within the warranty period we guarantee to either replace or repair the product at our option, provided that:

- The product is returned to the place of purchase with evidence of purchase ie the receipt.
- The product is used for general household use only, where household use means use of the product on the same lot as your home. Use at more than one location is considered commercial use and no warranty applies for commercial use.
- The product has not been used for hire purposes.
- Repairs, alterations or modifications have not been attempted to the product.
- The failure is not as a result of normal wear and tear.

Failures due to the following are not covered:

- Replacing worn or damaged blades, nylon line or chains or cables damaged in storage or during use. These are regarded as replacement items which wear during normal usage.
- Failures as a result of sudden impact or obvious abuse.
- Failures due to usage not in accordance with instructions and recommendations contained in this manual.

To the fullest extent permitted by law Toro Australia Pty Ltd is not liable for any indirect, incidental, or consequential loss or damage in connection with the use of the Pope product covered by this warranty or for any cost or expense of providing substitute equipment or service during any period of malfunction or non-use pending completion of repairs under this warranty.

The above warranty does not exclude any condition or warranty implied by the Trade Practices Act 1974 or any other relevant legislation which implies any condition which cannot be excluded.

Pope® is a Registered Trademark of Toro Australia Pty Ltd
53 Howards Rd Beverley South Australia 5009

Made in China to Pope's Specifications