



POPE

MAXI Blower Vac 2200W

Model No. 101BV2200

Operator's Manual



WARNING

To reduce the risk of injury, the user must read and understand the Operator's Manual. Save this manual.

Introduction

Thank you for purchasing a Pope product.

We would like you to be completely satisfied with your new product, so feel free to contact Pope for help with any information you require.

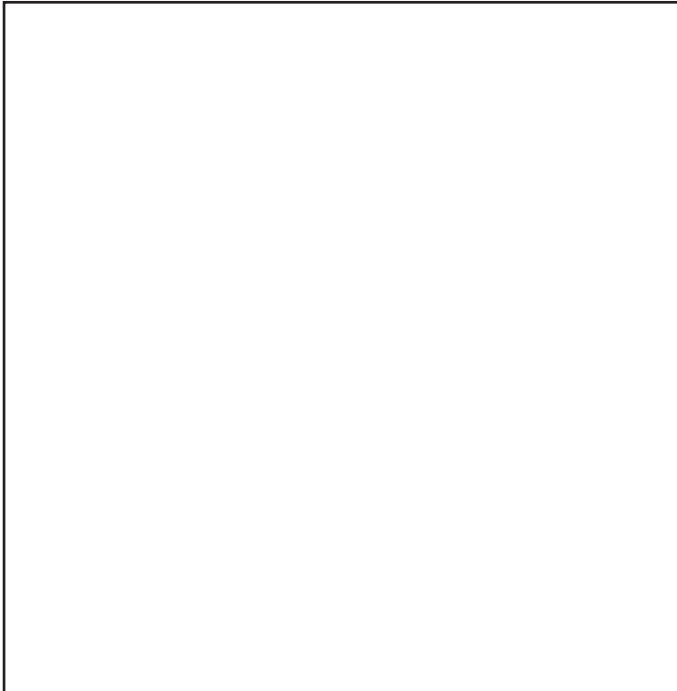
Pope's Customer Service centre number is 1300 134 880.

Please read this manual carefully to learn how to operate and maintain your product correctly. It is important to consult these instructions in order to acquaint yourself with the tool, its proper use and safety precautions.

Please observe the general maximum operating times as well as local regulations for tool operation.

Should this product require repair under the conditions of the warranty, please return it to the place of purchase. You will need to provide proof of purchase to obtain a free of charge repair, or a replacement.

**Keep these instructions in a safe place.
For your records, attach your receipt here.**



SAFETY RULES



WARNING

Read and understand all instructions. Failure to follow all instructions may result in serious personal injury as well as damage to the product.

- **Physical Condition of the Operator.** Do not operate this product when tired, ill or under the influence of alcohol, drugs or medication.
- **Clothing Requirements.** Always wear long heavy pants, boots and gloves. Do not wear loose clothing, jewellery, short pants, sandals or go barefoot. Secure hair so that it is above shoulder level to avoid entanglement in moving parts.
- **Protective Accessories Requirements.** Wear safety eye protection when operating this product. Wear hearing protection during extended periods of operation. In dusty applications always wear a face mask.
- **Condition of Product Before Use.** Inspect condition of the product before use. Only operate the tool when it is in good working order and is not damaged in any way. Damaged parts have to be replaced immediately by a qualified electrician. Never use the tool if any of its safety devices or guards are damaged or if any safety attachments are missing.
- **Proper Stance.** Keep firm footings and balance. Do not overreach.
- **Dangerous Environments.** Do not use the product in damp or wet locations. Do not expose the tool to wet conditions.
- **Use the Right Product.** Use the product for the intended purpose only.
- **Condition of Blower Vac before use.** The tubes and catching bag shall be mounted according to the manufacturer's instructions. Failure to use the proper parts may cause product failure or increase the risk of injury to the user.
- **Ensure covers are securely fastened before each use.** The impeller will rotate whenever the machine is operated. Never operate the machines unless the intake cover and machine tubes are properly installed and in good working order.
- **Use of Product.** Never allow children or infirm persons to use the tool. Never allow other persons who are not familiar with the operating instructions to use the tool. Never use the tool when there are people, particularly children or pets nearby.
- **Responsibility.** The user is responsible for any accidents or hazards suffered by third parties or their property.
- **Maintenance.** Switch off the tool and pull plug from the socket before carrying out any cleaning or maintenance work.
- **Outdoor Use.** When working outdoors, use only extension cables which are approved for outdoor use.
- **Plugs.** Plug connections must have earthing contacts and be protected from water.

Applications

Use this product for the following applications:

- Blowing leaves, grasses and debris and other garden refuse away from garden areas or surfaces.
- Vacuuming leaves, grasses, debris and other garden refuse from garden areas or surfaces into the debris collection bag.
- Mulching leaves, grasses, debris and other garden refuse at a 10:1 ratio for efficient refuse management or redistribution of mulch around the garden. Item such as bones, stones, wire or other dense debris should be removed or damage may be caused to the impeller

The Pope Maxi Blower Vac is designed to handle only foliage and garden refuse such as grass and small branches. Any other use is prohibited.

This tool is only intended for use around the home and should only be operated within its design limitations. Tools of this category which are designed for home and garden use should only be operated in such settings. Tools of this category are not suitable for use in public facilities, parks and sports centres, on farms or in the forestry sector.

Unpacking

- Carefully remove the product from the box.
- Inspect the product carefully to make sure no breakage or damage occurred during shipping.
- Do not discard the packing material until you have carefully inspected and satisfactorily operated the product.
- If any parts are damaged or missing please call the Pope Customer Service Centre on 1300 134 880 for assistance.

Packing List

Motor (1)

Blower/Vacuum Tubes (1)

Debris Collection Bag (1)

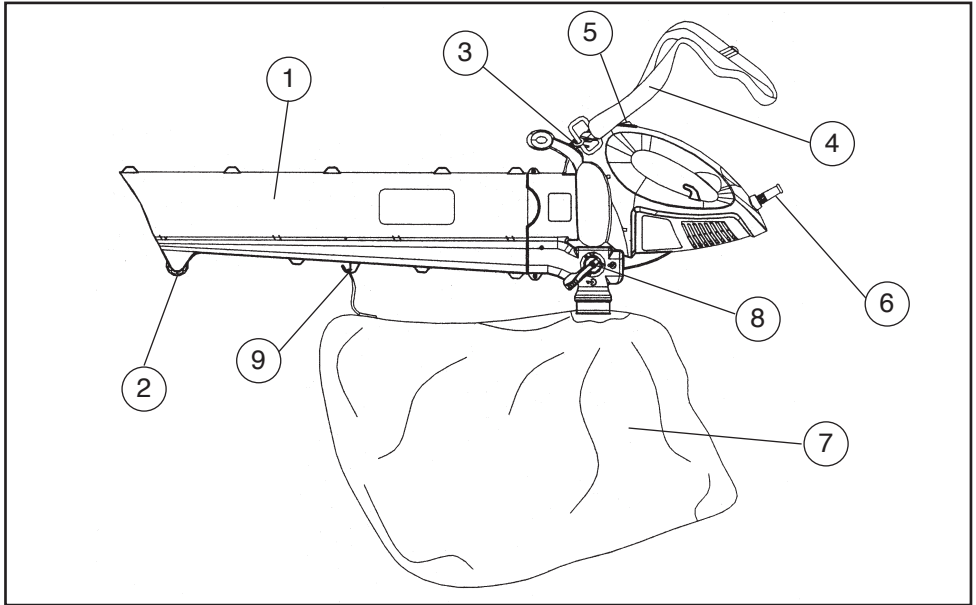
Shoulder Strap (1)

Screws (1 bag) including 2 x slotted T20 Torx screws, 2 nuts and 2 x self tapping Torx screws

Instruction Manual (1)

ASSEMBLY

Product Layout and Descriptions



- | | |
|-------------------------|-------------------------------|
| 1. Blower Vacuum Tube | 6. Power Cord |
| 2. Patio Wheels | 7. Debris Collection Bag |
| 3. Shoulder Strap Latch | 8. Flick switch blower to vac |
| 4. Shoulder Strap | 9. Debris Collection Bag Hook |
| 5. ON/OFF switch | |

SPECIFICATIONS

Name	Pope Maxi Blower Vac
Model Number	101BV2200
Output Power	2200W
Blower Speed	Up to 280km/hr
AC motor	230V 50Hz
Suction rate	12 m ³ /min
Volume of debris bag approx.	45 litres

ASSEMBLY

Attaching the vacuum tube to the motor

See Fig 1

Follow these steps to attach the vacuum tubes to the motor:

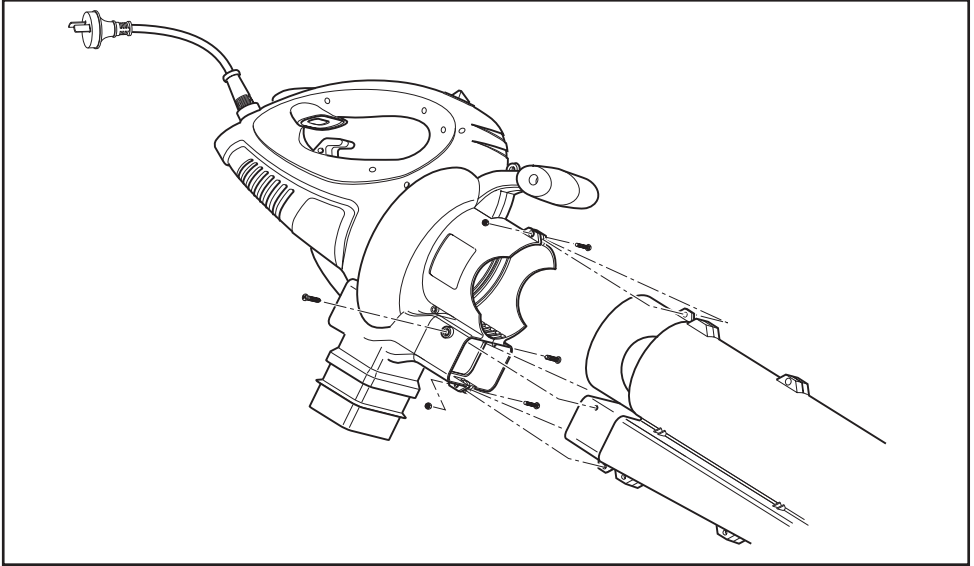


Fig 1

1. Ensure the blower vac is switched off and the plug is disconnected from the outlet.
2. Insert the vacuum tube all the way into the motor housing until the holes in the tabs on the blower/vacuum align with the screw holes in the motor housing.
3. Insert the 2 slotted T20 Torx screws into the right side of the motor housing and the 2 nuts into the left side of the motor housing.
4. Tighten the screws firmly. Do not overtighten.
5. Install the two remaining self-tapping screws into the holes on either side of the housing. Do not overtighten.

Important: The blower vac is equipped with a safety lock-off switch which only works when the vacuum tube is mounted correctly on the motor housing.

Attaching the debris collection bag

See Fig 2a and 2b

Follow these instructions to attach the debris collection bag:

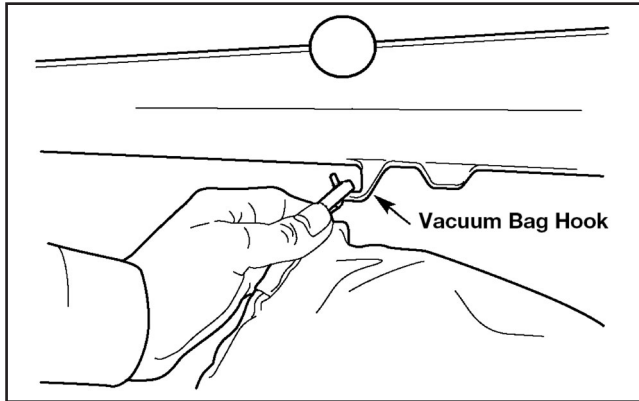


Fig 2a

1. Slip the debris collection bag on to the vacuum bag hook.

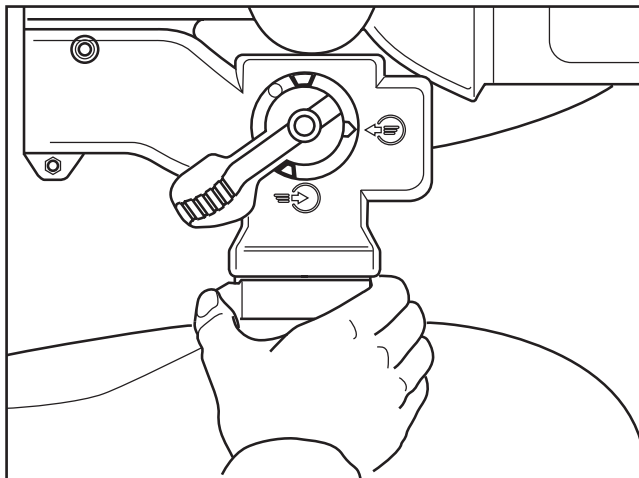


Fig 2b

2. Slide the debris collection bag over the exhaust tube on the motor housing.
3. Tighten the debris collection bag securely.

OPERATION



CAUTION

Start up the tool only after it is fully assembled. Always inspect the power cord for damage before starting up. The tool may only be used if the cord is in flawless condition.

Sizing the strap

Follow these steps to size the strap:

1. Size the length of the shoulder strap so that the vacuum tube just clears the ground.
2. The patio wheels at the bottom end of the suction tube will help you to manoeuvre the suction tube on the ground.

NOTE: PRIOR TO USING THE PRODUCT

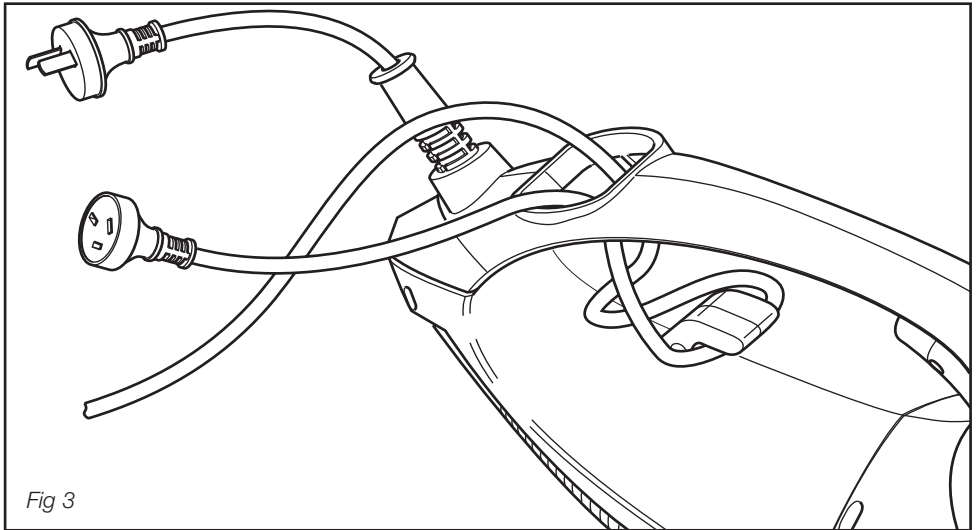
Follow these operational guidelines to maximise performance and minimise operator risk:

- Always trail the power cable behind the tool.
- If the power cable or extension cable is damaged, pull the plug out of the socket.
- Do not carry the tool by its power cable.
- Always pull out the plug:
 - when the tool is not being used;
 - when it is being transported or when you leave it unsupervised;
 - when you are checking the tool, cleaning it or removing blockages;
 - when you want to carry out cleaning or maintenance work on the tool or replace accessories;
 - after the tool impacts with foreign bodies or you notice unusual vibrations.
- Use the tool only in broad daylight or in well lit conditions.
- Do not underestimate the forces involved. Make sure you stand squarely and keep your balance at all times.
- Avoid using the tool on wet surfaces.
- Ensure that you maintain a steady foothold particularly while working on slopes.
- Always walk. Never run.
- Always keep the ventilation opening clean.
- Never direct the vacuum/blower at persons or animals.

OPERATION – *continued*

Connecting the tool to the power supply and switching on

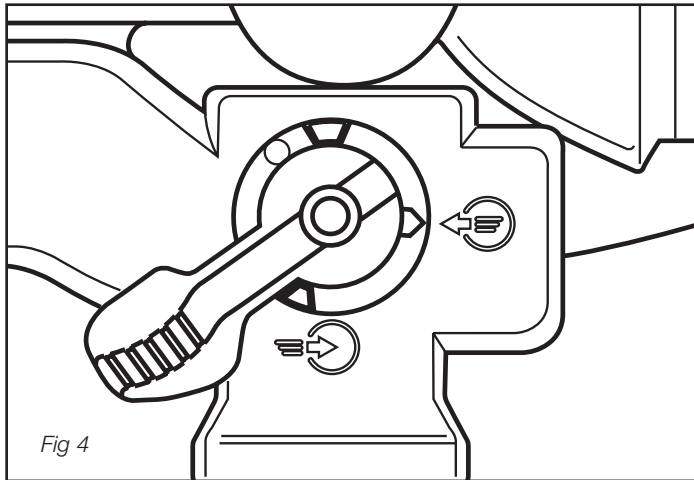
See Fig 3



1. Secure the extension cord to motor housing as shown in Figure 3 to prevent the accidental removal if the electrical cord.
2. Plug the blower vac cord into the extension cord.
3. To switch on, push the switch all the way down.
4. To switch off, push the switch up.

Selecting the mode of operation

See Fig 4



Vacuum

1. Push the lever down so that the arrow pointer on the lever is directed to "blow" function (as in figure 4 above).
2. You can do this regardless of whether the tool is running or not.
3. Channel the airstream forward and walk slowly to blow foliage or garden refuse into a pile or to clear out hard to reach places.

Blowing

1. Push the lever up so that the arrow is directed downwards to vacuum function.
2. You can do this regardless of whether the tool is running or not.

Important! Empty the debris bag before blowing. Otherwise, the material that has been vacuumed up could be blown out.

Emptying the debris collection bag

1. Switch off the tool and pull out the plug.
2. Open the zipper on the debris collection bag and shake out the material.
3. Reconnect bag following instructions on page 7.

NOTE: Empty the debris collection bag regularly. When the bag is heavily loaded with material, vacuum power is considerably reduced.

Deposit waste according to local council or government regulations.

MAINTENANCE

Follow these general maintenance guidelines before each use.

- Check that all nuts, bolts and screws are securely tightened in order to be sure that the machine is in a safe working condition.
- Frequently check the grass catching devices for signs of wear and deformation.
- Only use replacement cutters of the correct type.
- For your own safety, replace worn or damaged parts without delay.

Cleaning

IMPORTANT! All maintenance, service and cleaning work must be performed after the power cord has been disconnected from the socket.

- Do not use high-pressure cleaners or running water to clean the tool.
- Do not use any aggressive cleaning agents.
- After shaking out the debris bag, turn it inside out and thoroughly clean it in order to prevent mould and unpleasant odours from forming.
- You can use soap and water to clean out a heavily soiled debris bag.
- Rub a bar of dry soap across the zipper teeth if the zipper becomes difficult to pull.
- Always keep the tool and ventilation slats clean.
- Use a damp rag to wipe dirt marks off of the tool. Clean the vacuum/blower tube with a brush upon evidence of dirt and grime.
- Dirt and grime can make the switch (blower/vacuum) more difficult to operate as a result of the material that swirls up off the ground. When this occurs, simply flip the switch back and forth a few times, which should bring it back to normal.

Storage

Electric tools should be kept in a dry place when not in use.

WARRANTY

You must keep your receipt as proof of purchase for return of the product under the terms of this warranty.

Your Pope product is guaranteed to be free from defects in materials or workmanship for a period of 24 months from the date of purchase provided the product has been used in accordance with the manufacturer's recommendations.

If the product becomes defective within the warranty period we guarantee to either replace or repair the product at our option, provided that:

- The product is returned to the place of purchase with evidence of purchase ie the receipt.
- The product is used for general household use only, where household use means use of the product on the same lot as your home. Use at more than one location is considered commercial use and no warranty applies for commercial use.
- The product has not been used for hire purposes.
- Repairs, alterations or modifications have not been attempted to the product.
- The failure is not as a result of normal wear and tear.

Failures due to the following are not covered:

- Replacing worn or damaged blades, nylon line or chains or cables damaged in storage or during use. These are regarded as replacement items which wear during normal usage.
- Failures as a result of sudden impact or obvious abuse.
- Failures due to usage not in accordance with instructions and recommendations contained in this manual.

To the fullest extent permitted by law Toro Australia Pty Ltd is not liable for any indirect, incidental, or consequential loss or damage in connection with the use of the Pope product covered by this warranty or for any cost or expense of providing substitute equipment or service during any period of malfunction or non-use pending completion of repairs under this warranty.

The above warranty does not exclude any condition or warranty implied by the Trade Practices Act 1974 or any other relevant legislation which implies any condition which cannot be excluded.

Pope® is a Registered Trademark of Toro Australia Pty Ltd
53 Howards Rd Beverley South Australia 5009

Made in China to Pope's Specifications