



Lawn Mower

Meteor

Model Number:

101PM140 Serial No. 70700001 and up

Meteor Mulch and Catch

Model Number:

101PM140M Serial No. 70700001 and up

Galaxy

Model Number:

101PM140G Serial No. 70700001 and up



Operator's Manual

Table of Contents

Introduction	3
Safety.....	3
Product Overview	3
Safety Instructions	4
Slope Operation.....	4
Children	4
Safety Decals.....	5
Assembly	6
Operating Tips.....	7
Folding the Handle	7
Adjusting Cutting Height.....	7
Before Operating	8
Filling the Engine with Oil.....	8
Filling the Fuel Tank.....	8
Operation.....	9
Starting the Engine.....	9
Stopping the Engine	9
Mowing.....	9
Maintenance Schedule	10
Preparing for Maintenance.....	10
Replacing the Blade	11
Checking the Engine Oil Level	11
Air Cleaner	11
Changing the Blade.....	11
Cleaning the Mower	11
Storage	11
Preparing the Mower for Storage.....	11
Removing the Mower from Storage	11
The Pope Guarantee.....	12

Introduction / Product Overview

Introduction

Read this manual carefully to learn how to operate and maintain your product properly and to avoid injury and product damage. You are responsible for operating the product properly and safely.

You may contact Pope directly on 1300 134 880 for product and accessory information or help finding a dealer. A list of our dealers is located in the back of this manual.

Whenever you need service, genuine parts, or additional information, contact the authorised service dealer or customer service and have the model and serial number of your product ready.

This manual applies to Pope Mowers with the following Model numbers:
101PM140, 101PM140M & 101PM140G



Warning

This manual identifies potential hazards and has safety messages identified by the following words:

- **Danger** signals an extreme hazard that will cause serious injury or death if you do not follow the recommended precautions.
- **Warning** signals a hazard that may cause serious injury or death if you do not follow the recommended precautions
- **Caution** signals a hazard that may cause minor or moderate injury if you do not follow the recommended precautions.

This manual uses two other words to highlight information. **Important:** calls attention to special mechanical information and **Note:** emphasises general information worthy of special attention.

Safety

Read and understand the contents of this manual before the engine is ever started.



This is the safety alert symbol. It is used to alert you to potential personal injury hazards. Obey all safety messages that follow this symbol to avoid possible injury or death.

Improperly using or maintaining this mower could result in injury or death.

Product Overview



1. Cutting height lever
2. Oil fill/Dipstick
3. Recoil start handle
4. Safety stop lever
5. Fuel tank cap
6. Air filter
7. Spark plug
8. Exhaust

Write the Model and serial number in the space provided below. This will be useful when ordering spare parts for your Pope mower.

Model no.

Serial no.

Safety Instructions



Warning



Exhaust contains carbon monoxide, an odorless, deadly poison that can kill you. Do not run the engine indoors or in an enclosed area.

- Read, understand, and follow all instructions on the machine and in the manual. Be thoroughly familiar with the controls and the proper use of the mower before starting.
- Do not put hands or feet near or under rotating parts. Keep clear of the discharge opening at all times.
- Only allow responsible individuals, who are familiar with the instructions, to operate the mower.
- Do not allow children or infirm persons to operate the mower.
- Clear the area of objects such as rocks, toys, wire, bones, sticks etc, which could be picked up and thrown by the blade.
- Avoid striking solid objects with the blade. Never deliberately mow over any object.
- Be sure the area is clear of other people before mowing. Stop mower if anyone enters the area.
- Do not operate the mower when barefoot or wearing open sandals. Always wear substantial foot wear.
- Do not pull mower backwards unless absolutely necessary. Look down and behind before and while moving backwards.
- Do not operate the mower without proper guards, plates, grass catcher or other safety protective devices in place.
- Stop the engine when crossing gravel drives, walks, or roads.
- Stop the engine whenever you leave the equipment, before cleaning the mower or unclogging the chute.
- Shut the engine off and wait until the blade comes to complete stop before removing grass catcher.
- Mow only in daylight or good artificial light.
- Do not operate the mower while under the influence of alcohol or drugs.
- Never operate mower in wet grass. Always be sure of your footing; keep a firm hold on the handle and walk; never run.
- If the mower strikes an object or starts to vibrate, immediately stop the engine, disconnect the wire from the spark plug, and examine the mower for damage.
- Always wear safety goggles or safety glasses with side shields when operating mower.
- Never make adjustments or repairs with the engine running. Disconnect the spark plug wire, and keep the wire away from the plug to prevent someone from accidentally starting the engine.

- Keep all nuts and bolts, especially blade attachment bolts, tight and keep equipment in good condition.
- Never tamper with safety devices. Check their proper operation regularly.
- Keep mower free of grass, leaves, or other debris build-up. Clean up oil or fuel spillage. Allow mower to cool before storing.
- Stop and inspect the equipment if you strike an object. Repair, if necessary, before restarting.
- Never attempt to make wheel height adjustments while the engine is running.
- Grass catcher components are subject to wear, damage, and deterioration, which could expose moving parts or allow objects to be thrown. Frequently check components and replace with genuine Pope parts, when necessary.
- Mower blades are sharp and can cut. Wrap the blade or wear gloves, and use extra caution when servicing them.
- Do not change the engine governor setting or over speed the engine.

Slope Operation

- Slopes are a major factor related to slip and fall accidents which can result in severe injury. All slopes require extra caution. If you feel uneasy on a slope, do not mow it.
- Mow across the face of slopes; never up and down. Exercise extreme caution when changing direction on slopes.
- Do not mow excessively steep slopes.
- Do not mow near drop-offs, ditches, or embankments. The operator could lose footing or balance.

Children

Tragic accidents can occur if the operator is not alert to the presence of children. Children are often attracted to the mower and the mowing activity. Never assume that children will remain where you last saw them.

- Keep children out of the mowing area and under the watchful care of a responsible adult.
- Be alert and turn mower off if children enter the area.
- Before and while moving backwards, look behind and down for small children.
- Never allow children to operate the mower.
- Use extra care when approaching blind corners, shrubs, trees, or other objects that may obscure vision.

Safety Decals

Safety Decals



107-8971

1. Warning – read the Operator's Manual
2. Thrown object hazard – keep bystanders a safe distance from the machine
3. Warning – do not operate the mower without the rear catcher in place
4. Cutting/dismemberment hazard of hand or foot, mower blade – do not operate up and down slopes; stop the engine before leaving the operating position; and look behind you when backing

Important: Safety and instruction decals are located near areas of potential danger. Replace damaged decals.

Assembly / Operating Tips

Assembly

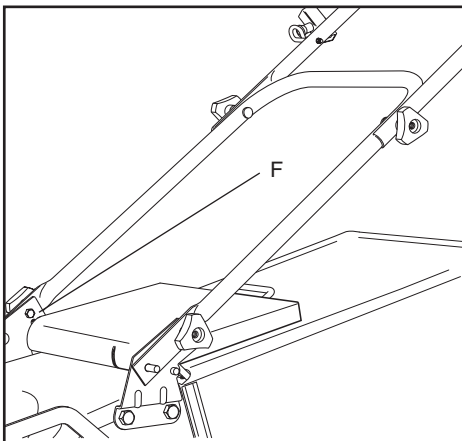


Remove the lawnmower from carton.

1. Carefully read and understand all instructions before attempting to assemble mower.

For Meteor and Meteor Mulch and catch only (Models 101PM140 and 101PM140M)

2. Assemble the lower handle on to the deck and insert the coach bolt (F) from the inside out into the square hole and handle. Attach the plastic knob and tighten (E) see diagram.



Note: There are 2 positions in which you can secure the lower handle, choose the one relevant for the user's comfort.

3. Affix the upper handle using coach bolt. Attach the plastic knob and tighten.

For Galaxy Mower only (Model 101PM140G)

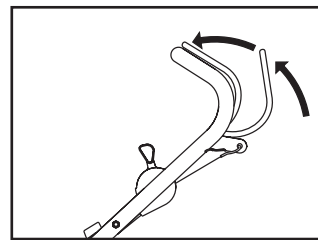
Position one of the lower handles onto the mower deck.

Note: There are 2 positions in which you can secure the lower handles. Choose the one relevant for the user's comfort.

Align the upper handle with the lower handle and insert the coach bolt (F) from the inside out into the square hole and handle. Attach the plastic knob and tighten (E). Repeat for the other side.

For all models

4. Disconnect the spark plug cap (C) see diagram.

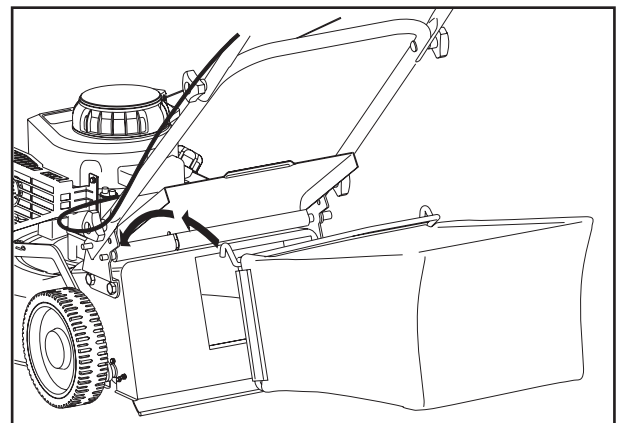


5. Engage the safety stop lever (A) by pushing towards the handlebar. Extend the starter cord to retainer (B) in upper handle.
6. Attach a cable tie around the throttle and blade brake cables (D).

Warning

Cables that are bent, kinked or damaged in any way during installation could cause an unsafe operating condition. An authorised Pope dealer should be contacted if this occurs. Do not attempt to repair cable.

7. Lift rear grass flap of the lawnmower and place the grass catcher frame side hook on the hinge shaft of the rear grass flap. The grass catcher is secured to the lawnmower housing when the rear grass flap is lowered on to the grass catcher. Spring tension from the rear grass flap will prevent removal of grass catcher during operation.



8. Reconnect the spark plug cap (C) see diagram.

Operating Tips – continued



Warning



Add oil before operating the mower. Refer to the “Before Operation Section” for instructions.

Operating Tips

- For best performance, install a new blade before the cutting season begins.
- Replace the blade when necessary with a Pope replacement blade.

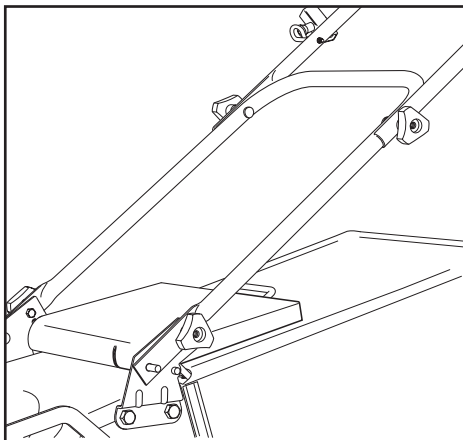
If the finished lawn appearance is unsatisfactory, try one or more of the following:

- Replace the blade.
- Walk at a slower pace while mowing.
- Raise the cutting height on your mower.
- Cut the grass more frequently.
- Overlap cutting swaths instead of cutting a full swath with each pass.

Folding the Handle

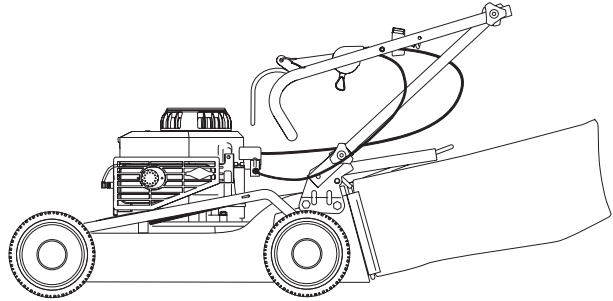
Folding or unfolding the handle improperly can damage the cables, causing an unsafe operating condition.

- **Do not damage the cables when folding or unfolding the handle.**
 - **If a cable is damaged, contact an Authorized Service Dealer.**
1. Loosen the handle knobs until you can move the upper handle freely.



2. Fold the upper handle forward.

Important: Route the cables to the outside of the handle knobs as you fold the upper handle.

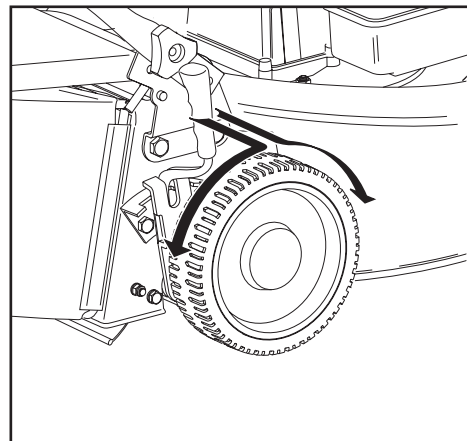


3. To unfold the handle, reverse the steps above.

Adjusting the cutting height may bring you into contact with the moving blade, causing serious injury.

- Stop the engine and wait for all moving parts to stop.
- Do not put your fingers under the housing when adjusting the cutting height.

Adjusting Cutting Height



- All four wheels are adjusted by a single lever.



Warning



- Pull adjustment lever toward wheel. To raise mower, move lever forward to desired position. To lower mower, move the lever toward the rear for the desired position.

Before Operating



Danger



Petrol is extremely flammable and explosive. A fire or explosion from petrol can burn you and others.

- To prevent a static charge from igniting the petrol, place the container and/or mower directly on the ground before filling, not in a vehicle or on an object.
- Fill the tank outdoors when the engine is cold. Wipe up spills.
- Do not handle petrol when smoking or around an open flame or sparks.
- Store petrol in an approved fuel container, out of the reach of children.
- Do not secure the safety stop lever in the engaged position in any way. This is a necessary safety feature and should not be disabled.



Warning



Please ensure you read the entire operator's manual before operating your Pope mower.

Filling the Engine with Oil

Your mower does not come with oil in the engine.

Engine holds 0.55L of oil. Use the correct oil type according to the Engine Manual.

Note: Use of non specified oils in engine could cause engine damage or reduce service life.

Be sure lawnmower is level and area around oil fill is clean.

1. Remove engine oil cap.



2. **Slowly** pour oil into the oil fill tube to raise the oil level to the **Full** mark on the dipstick. **Do not overfill.**

Note: Allow oil to settle down into the engine for accurate reading. To read proper level, tighten engine oil cap, then remove it to read the dipstick.

3. Install the dipstick securely. Check oil level before each use.

Important: Change the engine oil after the first 5-10 operating hours. Refer to Engine Manual for correct procedure.

Filling the Fuel Tank

Fill the fuel tank with fresh unleaded regular petrol from a major name-brand service station.

Use fresh, clean, regular unleaded petrol with a minimum 85 octane. Do not mix oil with petrol. Purchase fuel in quantities that can be used within 30 days to assure fuel freshness.

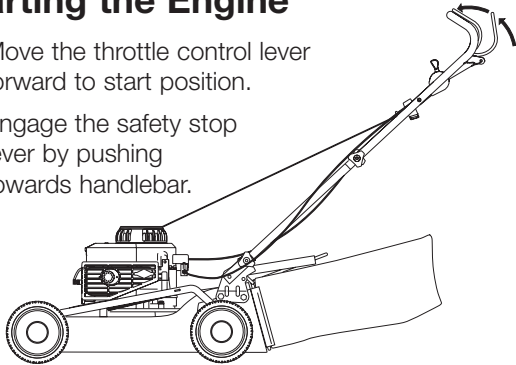
Important: Experience indicates that alcohol based fuels (called gasohol or using ethanol or methanol) can attract moisture which leads to separation and formation of acids during storage. Acidic fuel can damage the engine's fuel system. This type of fuel should be emptied before storage of 30 days or longer. Drain the fuel tank, start engine and let it run until the fuel lines and carburetor are empty. Use fresh fuel next season. See storage instruction for additional information. Never use engine or carburetor cleaning products in fuel tank or permanent damage may occur.



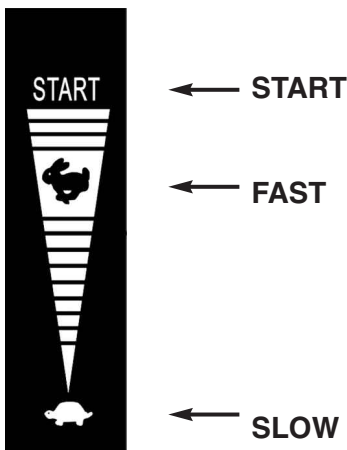
Operation

Starting the Engine

- Move the throttle control lever forward to start position.
- Engage the safety stop lever by pushing towards handlebar.



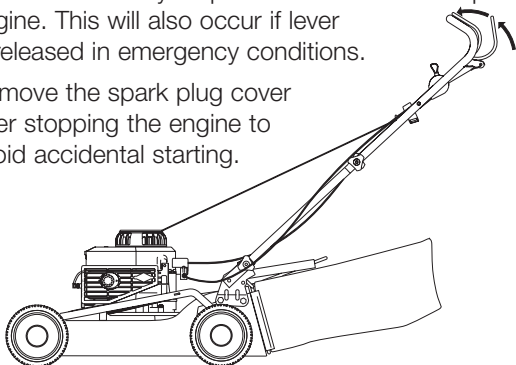
- Grasp the rewind starter handle and pull start the engine.
- Once the engine is running pull the throttle lever back to the fast position.



Stopping the Engine

To stop the engine

- Move the throttle control lever to the SLOW position.
- Release the safety stop lever to brake and stop the engine. This will also occur if lever is released in emergency conditions.
- Remove the spark plug cover after stopping the engine to avoid accidental starting.



Caution

Important: When you release the Safety stop lever, both the engine and blade should stop within 3 seconds. If they do not stop properly, stop using your mower immediately and contact your Authorised Service Dealer.

Using the mulch function

(Only for Meteor Mulch and Catch, Model 101PM140M)

Your mower easily converts from catch to mulch function. Mulching recycles the lawn clippings into the garden allowing organic matter and nutrients to re-feed your garden.

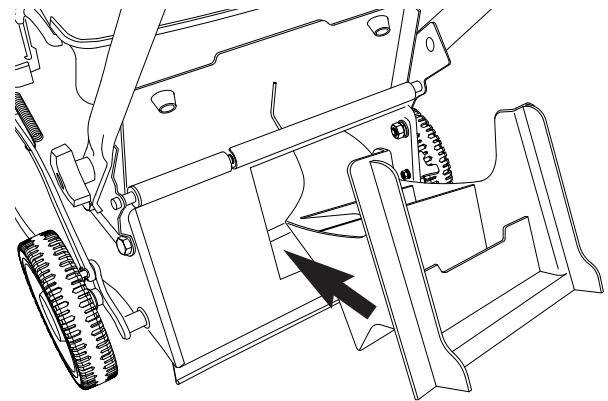
1. If the grass catcher is on the mower, remove it.
2. Lift the catcher flap and hold it open.
3. Insert the mulch plug firmly into the discharge chute (see diagram below).
4. Lower the catcher flap.

Your mower is now ready to mulch.

Note: Avoid mulching when your lawn is wet, after long wet spells or if you suspect disease in your lawn.

Caution

Warning: The blade is sharp; contacting the blade can result in serious personal injury. Stop the engine and wait for all moving parts to stop before leaving the operating position.



Mowing

Caution

Warning: The grass catcher must be installed when mowing.

- For best results, adjust the lawnmower cutting height so that the lawnmower cuts off only the top 1/3 of the grass blades. If the lawn is overgrown it will be necessary to raise the height of the cut to reduce pushing effort and to keep from overloading the engine.
- Press down the push handle and lift the front wheels to make a turn with your Pope mower. Be careful of the rotating blades.

Maintenance

Note: Determine the left and right sides of the mower by standing in the operating position.

Recommended Maintenance Schedule

Important: Refer to your engine operator's manual for additional maintenance procedures.

MAINTENANCE SCHEDULE

REGULAR SERVICE PERIOD Performed at every indicated month or operating hour interval, whichever comes first.		Before Each use	First month or 5 Hrs.	Every 3 months or 25 Hrs.	Every 6 months or 50 Hrs.	Every year or 100 Hrs.
ITEM						
Engine oil	Check level	○				
	Change		○		○(1)	
Air cleaner	Check	○				
	Clean			○(2)		
	Replace					○☆
Spark plug	Check-Clean				○	
	Replace					○
Flywheel brake pad	Check				○	
Spark arrester (optional parts)	Clean				○	
Idle speed	Check-Adjust					○(3)
Valve clearance	Check-Adjust					○(3)
Combustion chamber	Clean	After every 100 Hrs. (3)				
Fuel line	Check	Every 2 years (Replace if necessary) (3)				

☆ Replace the paper element type only.

(1) Change engine oil every 25 hours when used under heavy load or in high ambient temperatures.

(2) Clean more often under dusty conditions or when airborne debris is present. Replace air cleaner parts, if very dirty.

(3) These items should be serviced by your servicing dealer unless you have the proper tools and are mechanically proficient. Refer to manual for service procedures.

Failure to follow this maintenance schedule could result in nonwarrantable failures.

Preparing for Maintenance

1. Stop the engine and wait for all moving parts to stop.
2. Disconnect the spark plug cap from the spark plug before performing any maintenance procedure.
3. After performing the maintenance procedure(s), connect the spark plug wire to the spark plug.

Note: Before tipping the mower to change the oil or replace the blade, allow the fuel tank to run dry through normal usage. If you must tip the mower prior to running out of fuel, use a hand fuel pump to remove the fuel. Always tip the mower onto the **right** side.

Note: Tipping the mower over incorrectly could cause oil to enter parts of the engine that could cause problems. If this occurs contact your authorized Pope dealer immediately before using mower.



Warning



The blade is sharp; contacting the blade can result in serious personal injury.

Wear cloth or leather gloves when servicing the blade.

Maintenance – continued

Replacing the Blade

Check lawnmower blade and adaptor frequently. Install a new blade and/or blade adaptor if blade and adaptor bend or are worn.

Important: You will need a torque wrench to install the blade properly (54Nm to 61Nm). If you do not have a torque wrench or are uncomfortable performing this procedure, contact an Authorized Service Dealer.

Examine the blade whenever you run out of petrol. If the blade is damaged or cracked, replace it immediately. If the blade edge is dull or nicked, have it sharpened or replace it.

Checking the Engine Oil Level

1. Remove the dipstick, wipe it clean, and fully install the dipstick.
2. Remove the dipstick and check the oil level. If the oil level is near or below the **lower** limit mark on the dipstick, **slowly** pour oil into the oil fill tube to raise the level. **Do not overfill.**
3. Install the dipstick.

Air Cleaner

Wash foam air cleaner every 25 hours.

- Replace paper element every 100 hours.
- Keep rewind starter, cooling fins and other cooling system parts clean.

Changing the Blade

1. Disconnect the spark plug wire from the spark plug.
2. Tip the mower onto the **right** side.
3. Use a block of wood to hold the blade steady.
4. Remove the blade, saving all mounting hardware.
5. Install the new blade and all mounting hardware.

Important: Position the curved ends of the blade to point toward the mower.

Changing the Spark Plug

1. Disconnect the spark plug cap and remove any dirt from around the spark plug area.
2. Remove the old spark plug with a spark plug wrench.
3. Replace with an NGKBP6ES spark plug.
4. Install the spark plug carefully, by hand, to avoid cross-threading.
5. After the spark plug seats, tighten 1/2 turn.
6. Measure the spark plug electrode gap with a suitable gauge. The gap should be 0.028 - 0.031 in (0.70 - 0.80 mm). Correct the gap, if necessary, by carefully bending the side electrode.

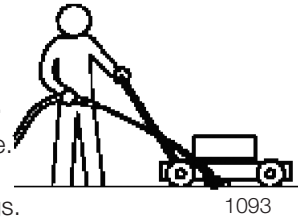
Caution

A loose spark plug can overheat and damage the engine. Over tightening the spark plug can damage the threads in the cylinder head.

7. Attach the spark plug cap.

Cleaning the Mower

1. With the engine running on a flat paved surface, spray a stream of water in front of the **right rear** wheel. Engage the blade, the path of the blade, cleaning out the clippings.



2. When no more clippings come out, stop the water and move the mower to a dry area.

Storage

Store the mower in a cool, clean, dry place.

Preparing the Mower for Storage



Warning



Petrol vapors can explode.

- **Do not store petrol more than 30 days.**
 - **Do not store the mower in an enclosure near a naked flame.**
 - **Allow the engine to cool before storing it.**
1. On the last refueling of the year, add fuel stabilizer to the fuel as directed by the engine manufacturer.
 2. Run the mower until the engine stops from running out of fuel.
 3. Prime the engine and start it again.
 4. Allow the engine to run until it stops. When you can no longer start the engine, it is sufficiently dry.
 5. Disconnect the wire from the spark plug and connect the wire onto the retaining post.
 6. Remove the spark plug, add 1 oz. (30 ml) of oil through the spark plug hole, and pull the starter rope **slowly** several times to distribute oil throughout the cylinder to prevent cylinder corrosion during the off-season.
 7. Loosely install the spark plug.
 8. Tighten all nuts, bolts, and screws.

Removing the Mower from Storage

1. Remove the spark plug and spin the engine rapidly using the starter to blow the excess oil from the cylinder.
2. Install the spark plug and tighten it with a torque wrench to 15 ft-lb (20 N_m).
3. Connect the wire to the spark plug.

The Pope Guarantee

Full Warranty for Residential Use

Toro Australia Pty Limited promises to repair any Pope product used for *residential purposes** if it is defective in materials or workmanship; or if it stops functioning due to the failure of a component. The following time period applies from the date of purchase:

Product	Warranty Period
• Walk Mowers with steel decks	1 year full warranty

This warranty covers the cost of parts and labour, but you must pay transportation costs

Limited Warranty for Commercial Use

Pope Walk Mowers used for commercial, institutional, or rental use are only warranted for 45 days from the date of purchase against defects in materials or workmanship; and components failing due to normal wear are not covered by this limited warranty.

Items and Conditions Not Covered

This is the only express warranty for the listed product; however this express warranty does not cover the following:

- The cost of regular maintenance, servicing or parts, such as filters, fuel, lubricants, oil changes, spark plugs, air filter, blade sharpening, worn blade, cable/linkage adjustments, or brake and clutch adjustments
- Any product or part which has been altered or misused or required replacement or repair due to accidents or lack of proper maintenance
- Repairs necessary due to improper preparation of the mower prior to any period of non-use over three months
- Pickup and delivery charges
- Operational misuse, neglect, or accidents
- Repairs or attempted repairs by anyone other than a Pope Service outlet
- Repairs (or adjustments) made in an attempt to correct starting difficulties which have occurred due to any of the following:
 - failure to follow proper maintenance procedures
 - rotary mower blade striking an object
 - contaminants in the fuel system
 - improper fuel or fuel/oil mixture (consult your Operator's Manual if in doubt)
 - failure to drain the fuel system prior to any period of non-use over three months

Owners Responsibilities

You must maintain your Pope product by following the maintenance procedures described in the Operator's Manual. All such routine maintenance, whether performed by a dealer or by you, is at your expense.

Instructions for Obtaining Warranty Service

If you think that your Pope product is defective in materials or workmanship, or if a normal, able-bodied adult can no longer start your product's engine in one or two pulls, you should follow this procedure:

1. Contact any Pope Authorised Service Dealer to arrange service at their dealership.
[To locate a dealer convenient to you, access our website at www.toro.com.au] Customers may also call 1300 134 880.
2. Take the product and your proof of purchase (sales receipt) to the Service Dealer.
3. If for any reason you are dissatisfied with the Service Dealer's analysis or with the assistance provided, please contact us directly at our Customer Service department.

General Conditions

All repairs covered by this warranty must be performed by an Authorised Pope Service Dealer using Pope approved replacement parts. To the fullest extent permitted by law Toro Australia Pty Limited is not liable for any indirect, incidental, or consequential loss or damage in connection with the use of the Pope product covered by this warranty or for any cost or expense of providing substitute equipment or service during any period of malfunction or non-use pending completion of repairs under this warranty. This warranty is strictly limited to repair by a Pope Service Dealer.

This warranty does not exclude any condition or warranty implied by the Trade Practices Act 1974 or any other relevant legislation which implies any condition which cannot be excluded.

[Residential purpose means use of the product on the same lot as your home. Use at more than one location is considered commercial use, and the commercial use warranty would apply]*