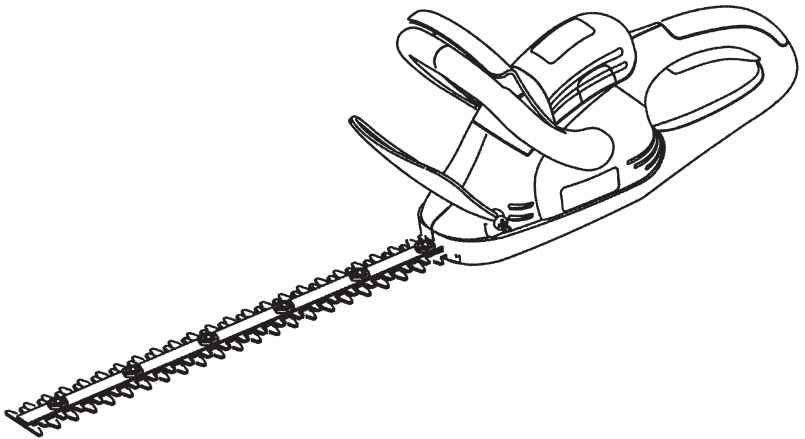




POPE

POWER CUT Cordless Hedge Trimmer

Model No. 101HT18V



Operator's Manual



WARNING

To reduce the risk of injury, the user must read and understand the Operator's Manual. Keep these instructions for future reference.

Introduction

Thank you for purchasing this Pope product.

We would like you to be completely satisfied with your new product, so feel free to contact Pope for help with any information you require.

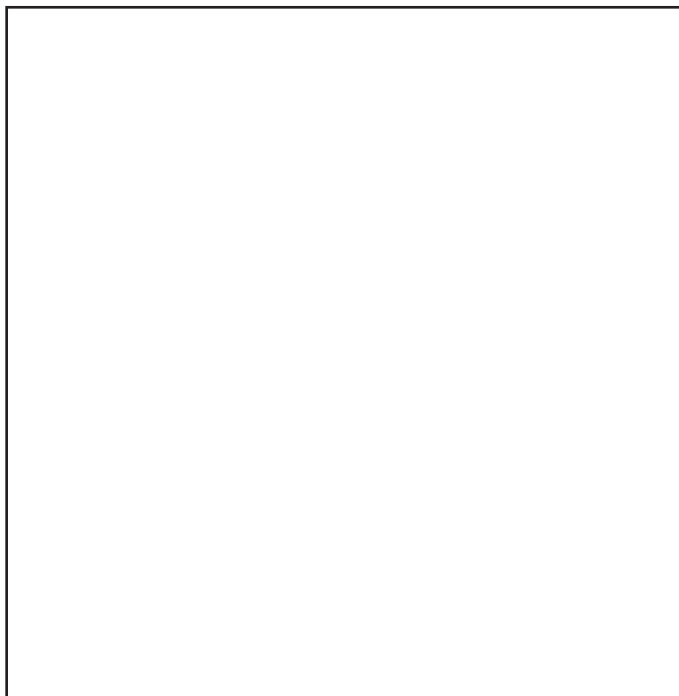
Pope's Customer Service centre number is 1300 134 880.

Please read this manual carefully to learn how to operate and maintain your product correctly. It is important to consult these instructions in order to acquaint yourself with the tool, its proper use and safety precautions.

Please observe the general maximum operating times as well as local regulations for tool operation.

Should this product require repair under the conditions of the warranty, please return it to the place of purchase. You will need to provide proof of purchase to obtain a free of charge repair, or a replacement.

**Keep these instructions in a safe place.
For your records, attach your receipt here.**



SAFETY RULES



WARNING

Read and understand all instructions. When using the Pope Hedge Trimmer, basic safety precautions including the following, should be followed to reduce the risk of fire, electric shock and personal injury. Read all of these safety instructions carefully before operating this Hedge Trimmer. Make sure that you are familiar with the controls and the proper and safe use of the Hedge Trimmer.

- **Physical Condition of the Operator.** Do not operate this product when tired, ill or under the influence of alcohol, drugs or medication.
- **Clothing Requirements.** Always wear long heavy pants, boots and gloves. Do not wear loose clothing, jewellery, short pants, sandals or go barefoot. Secure hair so that it is above shoulder level to avoid entanglement in moving parts.
- **Protective Accessories Requirements.** Wear safety eye protection and sturdy gloves when operating this product. Wear hearing protection during extended periods of operation.
- **Condition of Hedge Trimmer before use.** The Hedge Trimmer shall be assembled according to the manufacturer's instructions. Failure to use the proper parts may cause product failure or increase the risk of injury to the user. Inspect condition of the product before use. Only operate the tool when it is in good working order and is not damaged in any way. Damaged parts have to be replaced immediately by a qualified electrician. Never use the tool if any of its safety devices or guards are damaged or missing.
- **Proper Stance.** Keep firm footings and balance. Do not overreach.
- **Dangerous Environments.** Do not use the product in damp or wet locations. Do not expose the tool to wet conditions.
- **Keep away from the blade.** Keep hands, feet, hair and clothing well away from the blade.
- **Work Area.** Inspect the hedge to be trimmed and make sure that there are no obstacles, or foreign objects in the work area. Clear the area of bystanders, pets and children. At a minimum, keep all bystanders, pets and children outside a 15m radius. Because there still may be a risk to bystanders from thrown objects, bystanders should be encouraged to wear eye protection. If you are approached while operating the product, stop the motor and ensure the hedge trimmer has stopped moving.
- **Dangerous Environments.** To avoid falling, do not use the product in damp or wet locations.
- **Use the Right Product.** This hedge trimmer should be used exclusively for trimming hedges and shrubs. Do not use it for any other purpose.
- **Use of Product.** Never allow children or infirm persons to use the tool. Never allow other persons who are not familiar with the operating instructions to use the tool. Never use the tool when there are people, particularly children or pets nearby.
- **Responsibility.** The user is responsible for any accidents or hazards suffered by third parties or their property.
- **Maintenance.** Switch off the tool and remove the battery pack before carrying out any cleaning or maintenance work.
- **Plugs.** Plug connections must have earthing contacts and be protected from water.

Applications

Use this product for the following applications:

- Trimming and pruning: Bushes, hedges and other small screening plants.
- Topiary: Shaping and styling plants for topiary.

The Pope POWER CUT Cordless Hedge Trimmer is designed to be used around the home and should only be operated within its design limitations. Tools of this category which are designed for home and garden use should only be operated in such settings. Tools of this category are not suitable for use in public facilities, parks and sports centres or farms or in the forestry sector.

Unpacking

- Carefully remove the product from the box.
- Inspect the product carefully to make sure no breakage or damage occurred during shipping.
- Do not discard the packing material until you have carefully inspected and satisfactorily operated the product.
- If any parts are damaged or missing please call the Pope Customer Service Centre on 1300 134 880 for assistance.

Packing List

Hedge Trimmer (1)

Blade Safety Guard (1)

Instruction Manual (1)

Battery Charger (1)

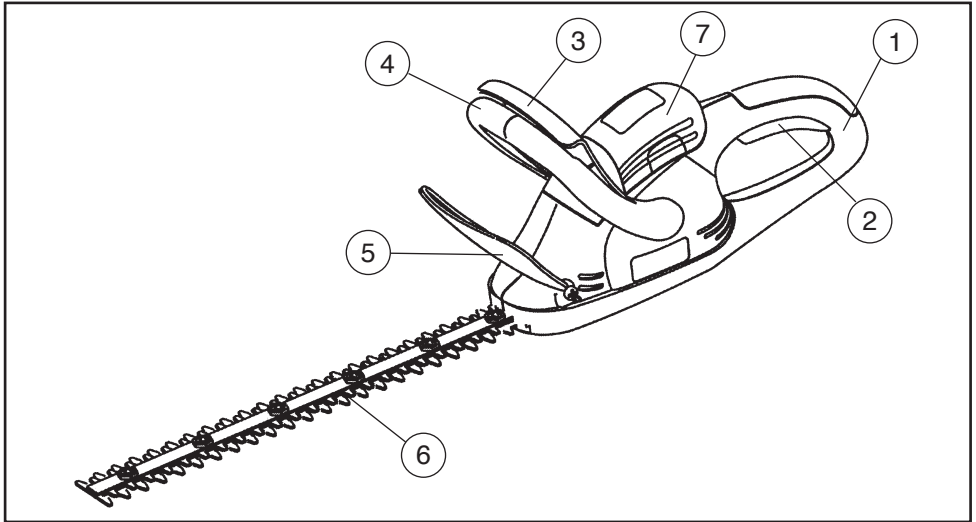
Battery Pack (1)

SPECIFICATIONS

Name	Pope Cordless Hedge Trimmer
Model Number	101HT18V
Power Input	18V
Battery Charge Time	3-5 hours
Battery Charger Voltage	230V 50Hz
Cutting Rate	3500 spm
Blade Length	410 mm

ASSEMBLY

Parts Identification



1. Rear handle
2. On/Off switch
3. Safety switch
4. Front handle
5. Safety guard
6. Blade
7. Battery Pack



WARNING

Before switching on, make sure that all personnel, particularly children and domestic animals, are at a safe distance. Inspect the hedge to be trimmed and make sure that there are no obstacles, or foreign objects, in the work area. The Pope Hedge Trimmer is designed for two-handed use. It will not operate if either of these switches is released. It is advised that heavy duty gloves should always be worn when using this Hedge Trimmer.

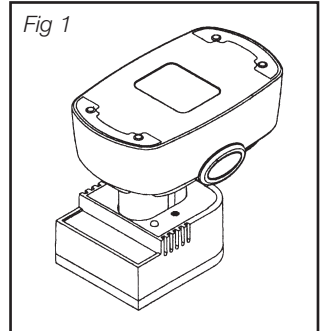
OPERATION

Preparing the Hedge Trimmer for use – Charging the Battery

See Fig 1

Follow these steps to charge the battery:

1. Remove the battery from the hedge trimmer (if attached) by pressing the battery release buttons on each side of the battery pack.
2. Plug the charger into a suitable mains supply.
3. Push the battery into the charging base. NOTE: The battery pack will only fit into the base in one direction as shown in Fig. 1. DO NOT FORCE the battery into the base. When the battery is correctly seated, the red light will come on to indicate the battery is charging.
4. When the battery is fully charged, the green light will come on.
5. Your battery pack should be installed into the top of the hedge trimmer and will be ready for use.



NOTE: The Pope Cordless Hedge Trimmer is powered by a Nickel-Cadmium battery. To extend the life of your battery ensure the battery is fully charged prior to its first use. This should take approximately 3-5 hours. Every few charges, fully discharge the battery – ie ensure the battery is completely dead – then fully recharge the battery.

Switching the Hedge Trimmer ON

Follow these steps to switch the Hedge Trimmer On or Off:

1. Squeeze the On/Off switch.
2. With the other gloved hand, hold the front handle and grip the safety switch.
3. The Hedge Trimmer will then start.
4. To switch the Hedge Trimmer off, release both the safety switch and the ON/OFF switch.

IMPORTANT

During operation of the hedge trimmer there may be some visible “sparking” or “flashing” visible within the motor housing of the hedge trimmer.

This is normal and is caused by the action of the brush motor being used. Sparking or flashing will not cause injury to the operator nor does it suggest a problem with the motor.



WARNING

Do not start the Hedge Trimmer with the blade guard fitted.

Using the Hedge Trimmer

See Figs 2 and 3

Follow these steps to use the Hedge Trimmer:

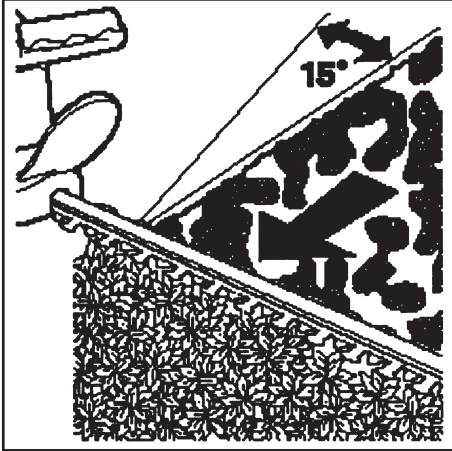


Fig 2

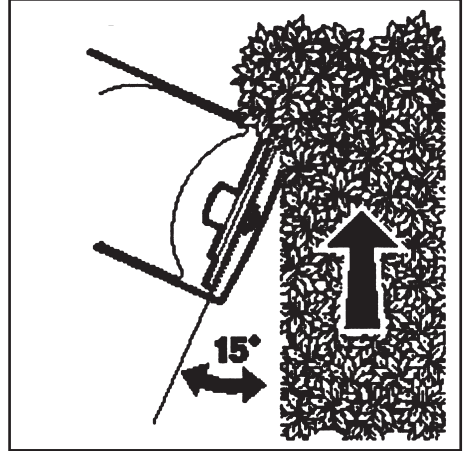


Fig 3

1. When trimming, the blade should be tilted approximately 15 degrees towards the hedge. Always trim from the bottom upwards.
2. Trim the sides of the hedge first and then trim the top.
3. If the branches are very long, they should be cut back in several stages.
4. Make sure that there are no objects in the hedge, such as railings, that could damage the blade.
5. If the blade becomes jammed, remove the battery pack before clearing the obstruction.
6. Do not force the Hedge Trimmer to cut over sized branches. These should be cut by hand using secateurs or shears.



WARNING

Before using this Hedge Trimmer, make sure that you have read all of the safety instructions.

MAINTENANCE

Follow these general maintenance guidelines before each use.

- Make sure that all nuts, bolts and screws are tight and secure.
- Check the blade, the front handle and the hand guard for damage.
- Always have any damaged or worn parts repaired, or replaced.
- Always have your Hedge Trimmer inspected and maintained by qualified service personnel. Do not attempt to repair the machine unless you are qualified to do so.
- For easier operation and longer blade life, lubricate the hedge trimmer blade before and after each use. Apply light machine oil along the edge of the bar blade. *See Fig 4*

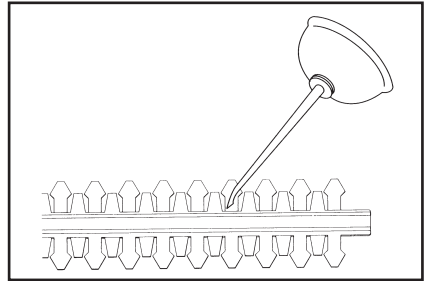


Fig 4

Cleaning

- To ensure the best performance from the Hedge Trimmer, it must be kept clean.
- Always clean the Hedge Trimmer immediately after use. Brush the blade using a stiff nylon brush to remove any debris.
- Do not use any aggressive cleaning agents.
- Use a damp rag to wipe dirt marks off the tool.
- Do not allow cuttings and other debris to become dry and hard on any of the Hedge Trimmer surfaces. This will directly affect the cutting performance.
- Make sure that the blade is kept clean and clear of all cuttings and other debris.
- Take extra care to clean the cooling vents and always ensure they are not blocked by cutting debris.

Storage

- Make sure that the Hedge Trimmer has been thoroughly cleaned before storing it in a clean dry place out of the reach of children.
- It is advisable to lightly lubricate the blade before storing.
- Always fit the blade protector when storing the Hedge Trimmer.

WARRANTY

You must keep your receipt as proof of purchase for return of the product under the terms of this warranty.

Your Pope product is guaranteed to be free from defects in materials or workmanship for a period of 24 months from the date of purchase provided the product has been used in accordance with the manufacturer's recommendations.

If the product becomes defective within the warranty period we guarantee to either replace or repair the product at our option, provided that:

- The product is returned to the place of purchase with evidence of purchase ie the receipt.
- The product is used for general household use only, where household use means use of the product on the same lot as your home. Use at more than one location is considered commercial use and no warranty applies for commercial use.
- The product has not been used for hire purposes.
- Repairs, alterations or modifications have not been attempted to the product.
- The failure is not as a result of normal wear and tear.

Failures due to the following are not covered:

- Replacing worn or damaged blades, chains or cables damaged in storage or during use. These are regarded as replacement items which wear during normal usage.
- Failures as a result of sudden impact or obvious abuse.
- Failures due to usage not in accordance with instructions and recommendations contained in this manual.

To the fullest extent permitted by law Toro Australia Pty Ltd is not liable for any indirect, incidental, or consequential loss or damage in connection with the use of the Pope product covered by this warranty or for any cost or expense of providing substitute equipment or service during any period of malfunction or non-use pending completion of repairs under this warranty.

The above warranty does not exclude any condition or warranty implied by the Trade Practices Act 1974 or any other relevant legislation which implies any condition which cannot be excluded.

Pope® is a Registered Trademark of Toro Australia Pty Ltd
53 Howards Rd Beverley South Australia 5009

Made in China to Pope's Specifications

