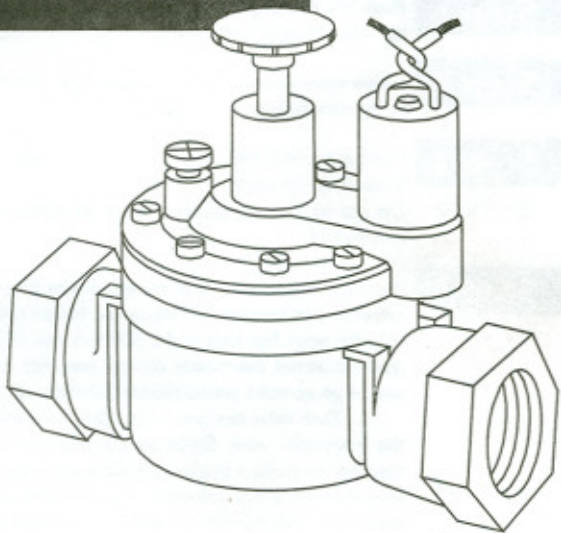


# 1" Valve

Automatic  
In-Line Valve  
Installation and  
Operation Guide



Please read instructions  
completely before  
attempting to install  
or operate valve.

**Lawn  
Genie**

Premium Watering Systems

## Installation and Operating Instructions

The LF6010 Lawn Genie Automatic In-Line Valve can be operated either manually or electrically, and can be installed in any position.

In areas where freezing conditions occur, be sure to install a way to drain the system before freezing weather arrives. To do that, use a stop and waste shut-off valve on the main line feeding the sprinkler system. Shut off the water supply, then electrically operate each valve for at least a few minutes (dry run). This vents the upper cavity of the valve, and makes sure the valve is completely drained.

Although the valve is rated to 150 psi, a pressure regulator should be used where local water exceeds 80 psi. [See Uniform Plumbing Code, Sec. 1007(b).] We suggest using a pressure regulator with any automatic valve to ensure long life, uniform performance and controlled operation.

**Step 1.** Flush line thoroughly before installing valve. Use Teflon pipe tape on male threads as a sealant.

**Step 2.** Screw valve hand-tight onto supply pipe. Use a wrench only to straighten valve to proper position.

**Step 3.** Hold valve with your hand. Screw outlet pipe into valve, using a wrench to tighten it.

**CAUTION:** *Do not plug in transformer until all valves have been connected.*

**Step 4.** For each location, run one common wire that will serve all the valves at that location. Wiring can be buried underground alongside the pipes. For runs under 800 feet, use 18 gauge solid, plastic-jacketed, thermostat control wire. For runs over 800 feet, use 14 gauge solid, plastic-jacketed, thermostat control wire.

Each valve has two wires. One wire will be connected as the "common" wire. Splice the common wire from each valve together to make a single wire. Connect it to the timer. Be sure all splices are either soldered or joined with wire nuts. If you use wire nuts, seal connections with vinyl cement, silicon seal or another reliable waterproofing agent.

The remaining wire on each valve is the "lead" wire. Connect each lead wire to the timer at the numbered terminals, one lead wire per terminal.

**Step 5.** Plug in your timer. Be sure you use only a timer with a Class 2, 24V transformer.

**Step 6.** Close valve by turning the flow control clockwise until it seats. Turn water supply on. The valve remains closed.

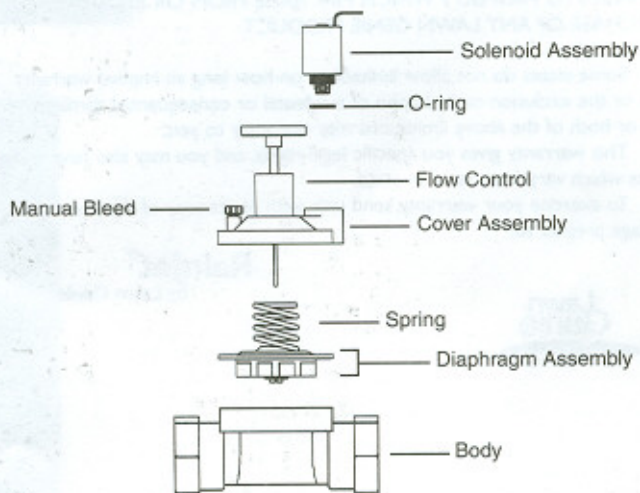
**Step 7.** Turn the manual bleed screw counterclockwise until water shoots out. This will open the valve. Back the flow control valve out, and adjust it for desired flow.

**Step 8.** Tighten the manual bleed screw and the valve will close within a minute. Remove the flow control knob to prevent unauthorized adjustments.

Electrical requirements are 18 volts AC minimum at the solenoid.

Inrush volt amps	@24 VAC 11.50 VA
Inrush current	@24 VAC .48 amp
Holding volt amps	@24 VAC 5.75 VA
Holding current	@24 VAC .24 amp

**Notice:** The LF6010 is not a backflow prevention valve. It may need to be installed in conjunction with an approved backflow prevention device. Check state and local plumbing codes prior to installation.



### LF6010 Friction Loss Chart

2 GPM	5 GPM	10 GPM	15 GPM	20 GPM	30 GPM
Pressure Loss in PSI					
3.82	3.00	2.20	1.90	3.10	5.10

# Three-year Limited Warranty

## Limited warranty

Lawn Genie warrants to the purchaser of its products for a period of three (3) years from the date of original purchase that any defective product proved to be caused by faulty workmanship or faulty materials, when installed per instructions and used in a normal manner, will be repaired or replaced at Lawn Genie's option at no charge, providing the product is received at the Lawn Genie factory, or authorized factory service center, with all transportation charges prepaid within three years of the date of original purchase. This warranty does not apply to damages or malfunctions resulting from accidents, misuse or neglect. Lawn Genie will not pay labor or other costs of removal or reinstallation of any so-called defective products.

NO IMPLIED WARRANTIES (INCLUDING, BUT NOT LIMITED TO) FITNESS FOR A PARTICULAR PURPOSE, WHERE APPLICABLE, AND MERCHANTABILITY SHALL EXTEND BEYOND THE PERIOD OF THE EXPRESS WARRANTY DESCRIBED ABOVE. IN NO EVENT SHALL LAWN GENIE BE RESPONSIBLE FOR INCIDENTAL OR CONSEQUENTIAL DAMAGES TO PROPERTY WHICH MAY ARISE FROM OR RELATE TO THE PURCHASE OF ANY LAWN GENIE PRODUCT.

Some states do not allow limitations on how long an implied warranty lasts or the exclusion or limitation of incidental or consequential damages, so one or both of the above limitations may not apply to you.

This warranty gives you specific legal rights, and you may also have other rights which vary from state to state.

To exercise your warranty, send unit, with photocopy of dated receipt, postage prepaid to:

**RainJet<sup>®</sup>**  
by Lawn Genie<sup>®</sup>



P.O. Box 489  
Riverside, CA 92502  
1-800-231-5117  
©1997 Lawn Genie  
All rights reserved.  
1036001 Rev A

Printed in the U.S.A.