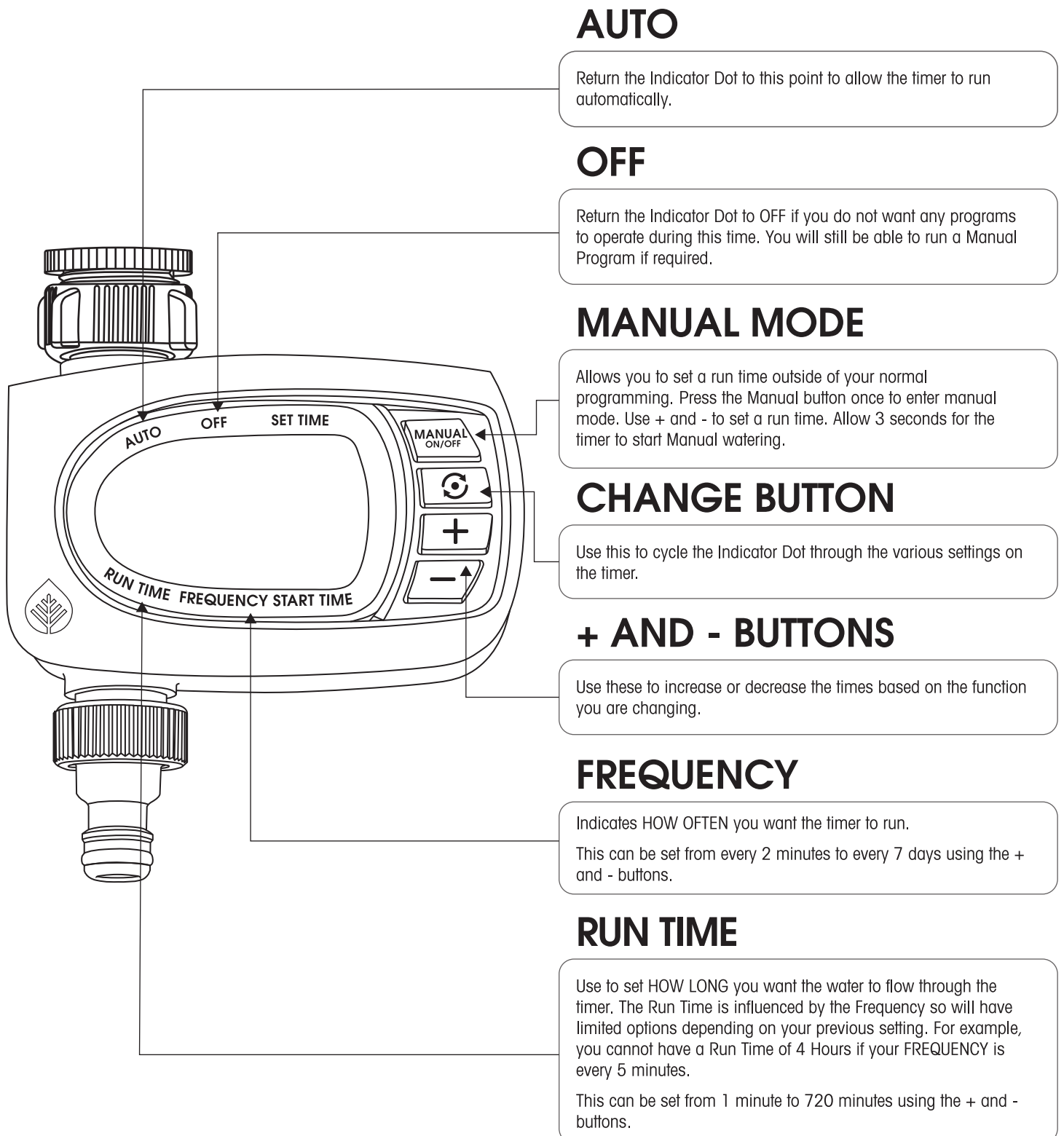




DIGI SET TAP TIMER INSTRUCTION MANUAL



AUTO

Return the Indicator Dot to this point to allow the timer to run automatically.

OFF

Return the Indicator Dot to OFF if you do not want any programs to operate during this time. You will still be able to run a Manual Program if required.

MANUAL MODE

Allows you to set a run time outside of your normal programming. Press the Manual button once to enter manual mode. Use + and - to set a run time. Allow 3 seconds for the timer to start Manual watering.

CHANGE BUTTON

Use this to cycle the Indicator Dot through the various settings on the timer.

+ AND - BUTTONS

Use these to increase or decrease the times based on the function you are changing.

FREQUENCY

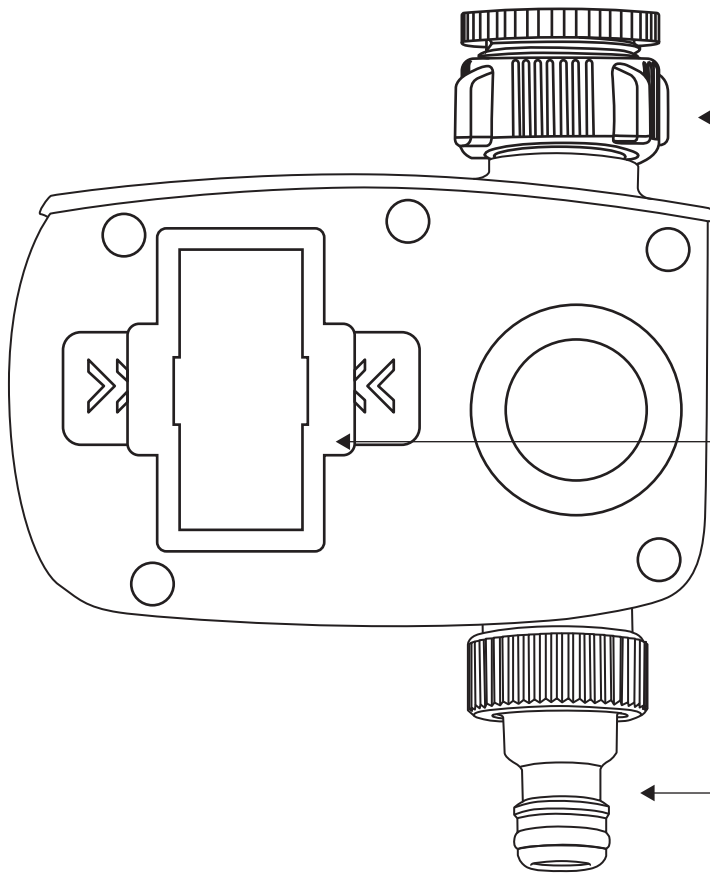
Indicates HOW OFTEN you want the timer to run.

This can be set from every 2 minutes to every 7 days using the + and - buttons.

RUN TIME

Use to set HOW LONG you want the water to flow through the timer. The Run Time is influenced by the Frequency so will have limited options depending on your previous setting. For example, you cannot have a Run Time of 4 Hours if your FREQUENCY is every 5 minutes.

This can be set from 1 minute to 720 minutes using the + and - buttons.



TAP FITTING

The timer comes with a 25mm Inlet and a 20mm Reducing bush. Depending on the size of your tap, you may not need the reducing bush.

The Tap Connection also has a filter installed. This is to stop the debris from entering the valve mechanism. **DO NOT REMOVE THIS.**

BATTERY

The timer takes 2 x AA batteries. The timer has not been tested with Li-Ion or rechargeable batteries. Pope cannot guarantee operation with these batteries.

HOSE CONNECTION

This connection is used to connect to a standard 12mm Snap On fitting. The fitting can be removed and a Nut & tail piece can be added to run Poly Tube direct to an irrigation system. You can also connect Pressure Reducers or Filters direct to the timer once this piece is removed.

This product is not suitable for use:

- For commercial applications
- If you use bore or unfiltered water
- If you use any kind of pump to draw water
- If the water pressure is unstable

We recommend testing your home water pressure before fitting the Pope Digi Set Tap Timer

Recommend Operating Pressure: 100-800kPa

In higher pressure areas, use a pressure reducer from the tap. Product failure where the maximum pressure rating is exceeded will void all warranties.



popeproductsaustralia

Pope® is a Registered Trademark of
Toro Australia Pty Ltd
 53 Howards Road, Beverley SA 5009
 info.au@toro.com | 1300 134 880
www.popeproducts.com.au

