

The Toro Company warrants, to the owner, each new piece of equipment (featured in the current catalog at date of installation) against defects in material and workmanship provided they are used for irrigation purposes under manufacturer's recommended specifications for the period described below. Product failures due to acts of God (i.e., lightning, flooding, etc.) are not covered by this warranty.

Toro is not liable for failure of products not manufactured by Toro even though such products may be sold or used in conjunction with Toro products.

During such warranty period, Toro will repair or replace, at its option, any part found to be defective. Toro's liability is limited solely to the replacement or repair of defective parts. There are no other express warranties.

Return the defective part to place of purchase.

This warranty does not apply where equipment is used, or installation is performed, in any manner contrary to Toro's specifications and instructions, nor where equipment is altered or modified.

**Toro is not liable for indirect, incidental or consequential damages in connection with the use of equipment, including but not limited to: vegetation loss, the cost of substitute equipment or services required during periods of malfunction or resulting non-use, property damage or personal injury resulting from installer's actions, whether negligent or otherwise. All implied warranties, including those of merchantability and fitness for use, are limited to the duration of this express warranty.**

Some states do not allow limitations of how long implied warranty lasts, so the above limitation may not apply to you.

This warranty gives you specific legal rights and you may have other rights which vary from state to state.



FOR TECHNICAL SUPPORT  
P.O. Box 489  
Riverside, CA 92502  
1-800-231-5117  
© 1998 Lawn Genie  
All rights reserved.

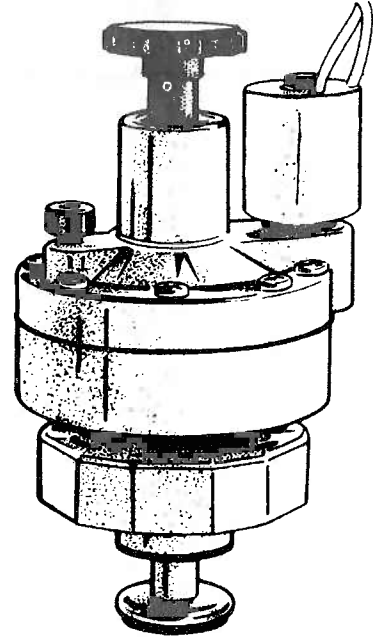
1110201 Rev. A

# Lawn Genie®

## Solenoid Valve Adapter Installation and Operation Guide

► For Models L2034, L2010

► Please read instructions completely before attempting to install or operate valve adapter.



# Lawn Genie®

The L2034 and L2010 Lawn Genie adapters are designed to adapt to the following Lawn Genie valves only:

	New Model	Old Model
L2034 adapts	L3030 L4033	704LG Manual 3/4" Angle 706LG Manual 3/4" Anti-Siphon
L2010 adapts	L3010	707LG Manual 1" Angle 709LG Manual 1: Anti-Siphon

In areas where freezing conditions occur, provisions should have been made to drain the system. Use a shut-off valve installed on the main line feeding the sprinkler system. To assure complete drainage of the valve after water supply is shut off, electrically energize each valve for at least 1-2 minutes. This vents any automatic valve allowing maximum drainage.

Although the valve is rated to 150 psi, where local water pressure exceeds 80 psi, a pressure regulator should be used. (See Uniform Plumbing Code, Sec. 1007 (b). It is advisable to use a regulator with any automatic valve to assure long life, uniform and controllable operation.

**Anti-Siphon valves must not be operated continuously for more than twelve (12) hours. (See American Society of Sanitary Engineering Standard 1001, Sec. 1.5.2.4.)**

- Step 1.** Flush the line thoroughly before installing the valve. Use teflon tape on male threads.
- Step 2.** Screw the valve onto the supply pipe threads hand tight. Use a wrench only to straighten the valve into position.
- Step 3.** Screw the outlet pipe into the valve with a wrench, hold the valve by hand as the outlet pipe is tightened.
- Step 4.** Wiring to the valves can be placed underground under the pipes. Use approved underground type wire and be sure all splices are joined with wire nuts and sealed with vinyl cement or other suitable water-proofing cement. Run one common wire to each location to serve all the valves at that location. Use 18 gauge direct burial wire for runs not over 800 feet and 14 gauge over 800 feet. The wire is available from your dealer in 2, 3, 4, 5, 6, 7 and 8 color coded wires. Connect the solenoid to a timer that uses an approved class 2, 24V transformer as a power source.
- Step 5.** Turn the white flow control screw knob clockwise until it seats, closing the valve. Turn the water supply on. The valve will remain closed.
- Step 6.** Turn the black manual bleed screw knob counterclockwise. This will allow water to flow through the valve as the flow control is backed out; adjust the flow control for desired flow. Tighten the manual bleed screw and the valve will close.

Electrical requirements are 18 volts AC minimum at the solenoid.

Inrush volt-amps	@24VAC	11.50 VA
Inrush current	@24VAC	.48 AMPS
Holding volt-amps	@24VAC	5.75 VA
Holding current	@24VAC	.24 AMPS

**NOTE:** Due to varying regulations, check your local codes.

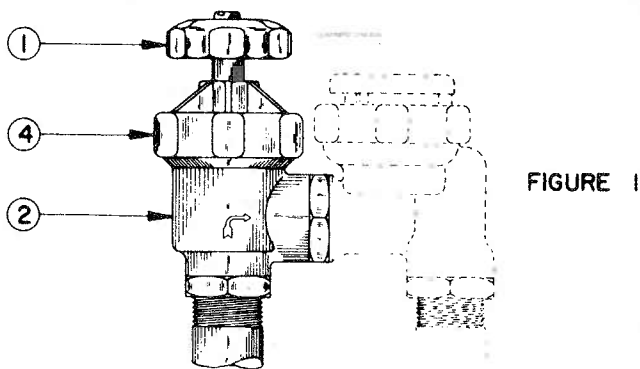


FIGURE 1

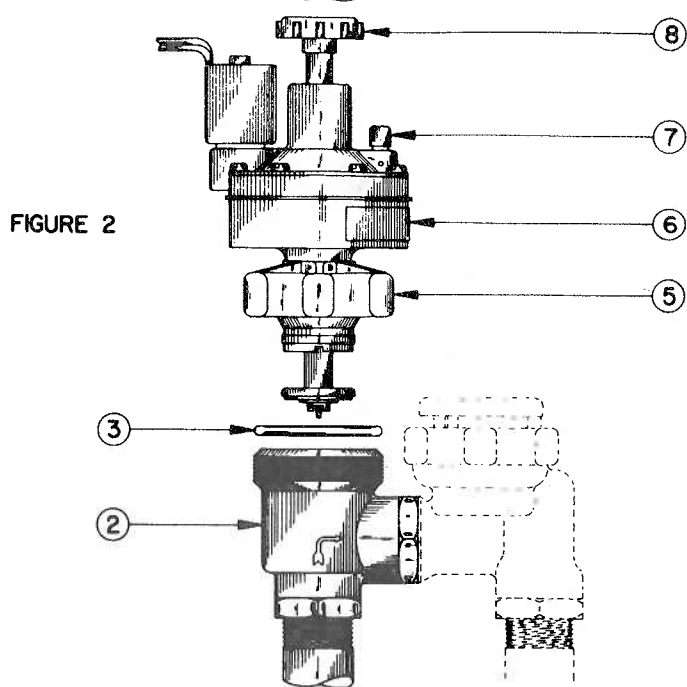


FIGURE 2

**AUTOMATIC VALVE ADAPTER REPAIR KITS**  
**L12134 3/4" FITS L2034**  
**L12210 1" FITS L2010**