

Manual Operation

To open the valve manually, turn the bleed screw counterclockwise one full turn or until water begins discharging past the bleed screw threads.

Note: Removing the bleed screw is not required to open the valve, but can be removed to help flush debris from the valve chamber.

To close the valve, turn the bleed screw clockwise until it stops. Do not over-tighten!

Flow Control Adjustment

The valve is set for maximum flow at the factory. To decrease the flow, turn the flow control knob clockwise. To increase the flow, turn the knob counterclockwise.

Winterization

When winterizing the sprinkler system using compressed air, operate each valve manually from the timer or at the valve for a minimum of one minute, enabling each valve to drain thoroughly.

The Lawn Genie Promise — Limited One Year Warranty

Lawn Genie and its affiliate, Lawn Genie Warranty Company, pursuant to an agreement between them, jointly warrants, to the owner, against defects in material and workmanship for a period of one year from the date of purchase.

We are not liable for failure of products not manufactured by Lawn Genie even though such products may be sold or used in conjunction with Lawn Genie products.

During such warranty period, we will repair or replace, at our option, any part found to be defective. Return the defective parts to the place of purchase.

Our liability is limited solely to the replacement or repair of defective parts. There are no other express warranties.

This warranty does not apply where equipment is used, or installation is performed, in any manner contrary to Lawn Genie's specifications and instructions, nor where equipment is altered or modified.

NEITHER LAWN GENIE NOR LAWN GENIE WARRANTY COMPANY IS LIABLE FOR INDIRECT, INCIDENTAL OR CONSEQUENTIAL DAMAGES IN CONNECTION WITH THE USE OF EQUIPMENT, INCLUDING BUT NOT LIMITED TO: VEGETATION LOSS, THE COST OF SUBSTITUTE EQUIPMENT OR SERVICES REQUIRED DURING PERIODS OF MALFUNCTION OR RESULTING NON-USE, PROPERTY DAMAGE OR PERSONAL INJURY RESULTING FROM INSTALLER'S NEGLIGENCE.

Some states do not allow the exclusion or limitation of incidental or consequential damages, so the above limitation or exclusion may not apply to you.

ALL IMPLIED WARRANTIES, INCLUDING THOSE OF MERCHANTABILITY AND FITNESS FOR USE, ARE LIMITED TO THE DURATION OF THIS EXPRESS WARRANTY.

Some states do not allow limitations of how long an implied warranty lasts, so the above limitation may not apply to you.

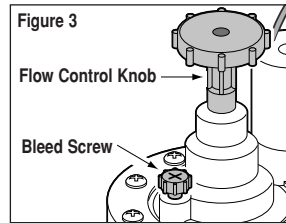
This warranty gives you specific legal rights and you may have other rights which vary from state to state.

For Technical Support:
1-800-231-5117
P.O. Box 489
Riverside, CA 92502



© 2007 Lawn Genie, All Rights Reserved.

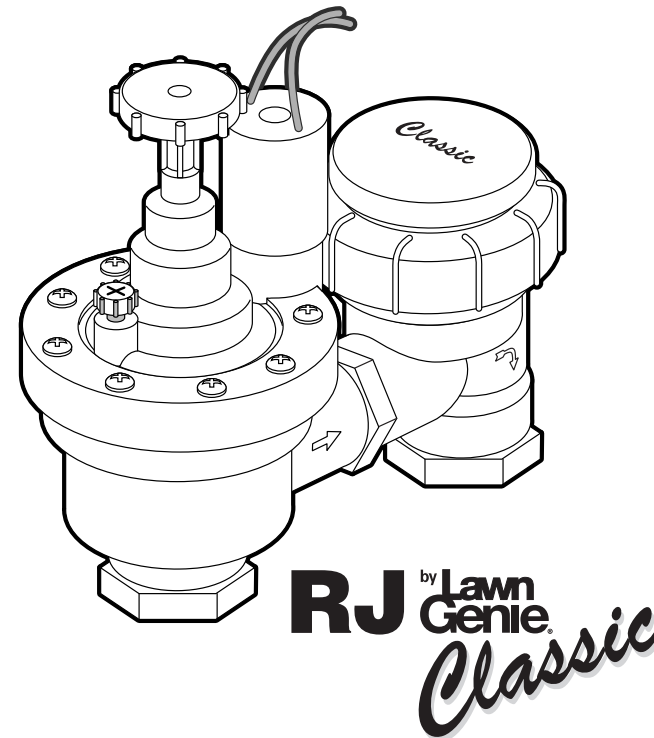
1095401 Rev. C



Models 54000 and 54001 (Previously RJ711)

Automatic Anti-Siphon Valve

Installation and Operating Instructions



- ◆ Please read instructions completely before attempting to install or operate valve.

Specifications

- Body Style: Anti-Siphon, 3/4" Female NPT (54000) or 3/4" Slip Joint (54001)
- Flow range: 5–20 GPM
- Operating pressure: 10–150 PSI (70 PSI recommended maximum)
- Water temperature: 110° F (maximum)
- Solenoid: 24 V a.c., 60 Hz (nominal)
19 V a.c., 60 Hz (minimum)
Inrush: 0.4 amps, 9.60 VA @ 24 V a.c., 60 Hz
Holding: 0.2 amps, 4.8 VA @ 24 V a.c., 60 Hz

Friction Loss:	Flow (GPM)	5	10	15	20
Loss (PSI)		4.2	5.5	4.8	7.6

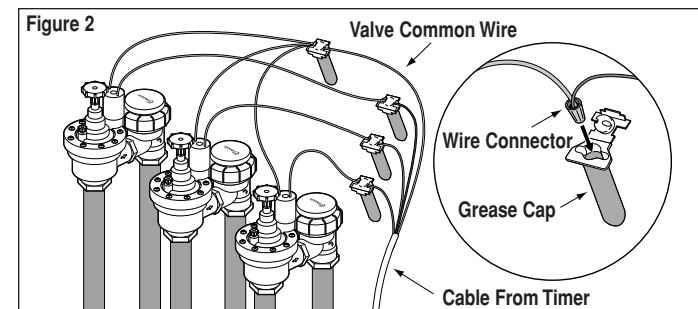
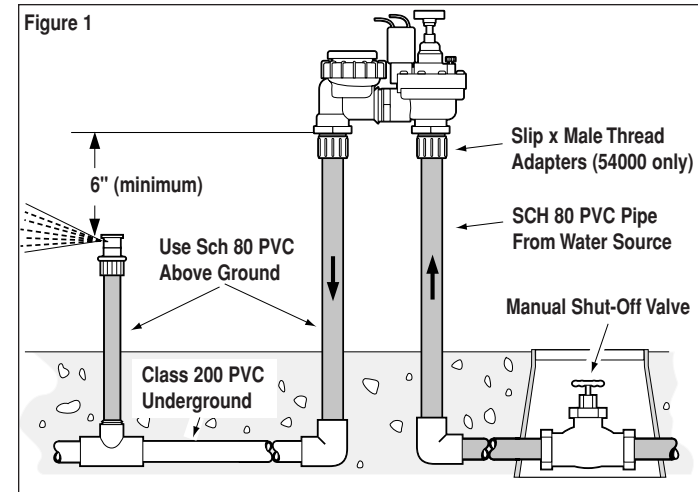
Valve Installation Guidelines

Ensure the following guidelines, in addition to all local code requirements, are met when installing the anti-siphon valve:

- The installed height, measured from the valve base, must not be less than 6" above the highest downstream outlet controlled by the valve.
- The anti-siphon valve must not be subject to standing water which can rise to less than 6" from the base of the valve.
- The anti-siphon valve must not be installed indoors (some spillage may occur) or in a valve box below ground level.
- The installation site must be accessible to allow inspection and servicing.
- Additional control valves must not be installed downstream of the anti-siphon valve.
- The valve must be installed with the top of the anti-siphon cap level.
- The valve must not be run continuously for more than 12 hours in any 24-hour period.
- Installing a manual shut-off valve between the main water supply and automatic valve is recommended for ease of valve maintenance and sprinkler system winterization. If water pressure exceeds 70 PSI, installing a pressure regulator should be used.

Installation Procedure

1. From the shut-off valve, route a supply pipe to the valve installation site. For UV protection, use dark gray Schedule 80 PVC on the inlet (pressurized) side of the valve and all PVC pipe installed above ground. Use Class 200 PVC on the underground sprinkler lines.
2. Flush the supply line thoroughly to remove all traces of dirt and debris.
3. For model 54000, prepare two 3/4" slip/male thread adapters with three to five complete wraps of PTFE tape, evenly covering the threads.
 ▲ CAUTION: Pipe dope will damage plastic threads.
4. Install the threaded adapters into the valve and tighten securely. Using PVC primer and cement, install the valve to the PVC pipe as shown in Figure 1.
5. Route a multi-wire, direct-burial sprinkler valve cable from the sprinkler timer to the valve location. If the cable run is less than 800', 18-gauge wire is sufficient. For distances from 800'–2000', 14-gauge wire is recommended.



6. Using wire splice connectors, attach either wire from each valve solenoid to the white cable wire. This wire is designated as the valve common wire. Connect the remaining wire from the solenoid to one of the color-coded cable wires. Ensure all wire connections are secure and waterproof.

▲ CAUTION: Use grease caps or waterproof connectors on all wire splice connections to prevent corrosion, connection failure and short circuit.

7. At the sprinkler timer, connect the white common wire to the output terminal labeled "C" or "COM." Connect each color-coded valve wire to the numbered output terminals in the order you wish the valves to operate during the automatic watering cycle.
8. Open the shut-off valve from the water source. Test valve operation using the timer or manually at the valve.