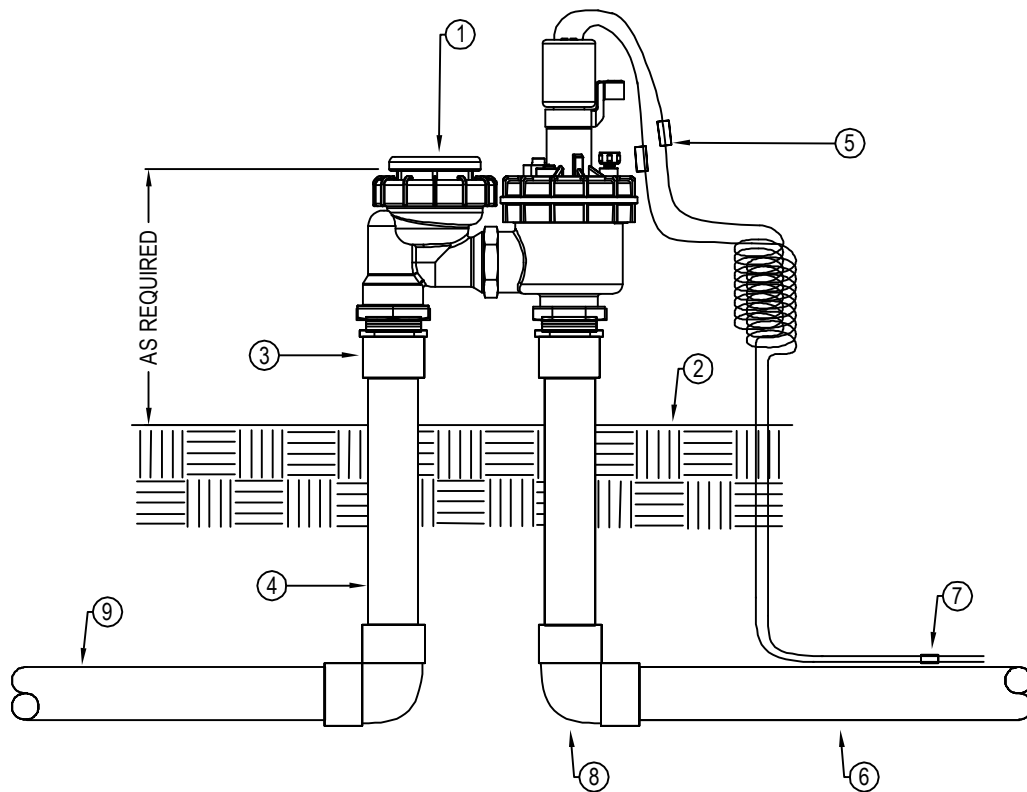




IRRITROL SYSTEMS
5825 JASMINE ST.
RIVERSIDE, CA 92504
TOLL FREE: 1-800-634-8873
PHONE: (951) 785-3454
www.irritrol.com



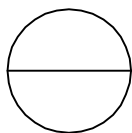
SECTION

LEGEND:

- ① IRRITROL 2711APR ELECTRIC ANTI-SIPHON CONTROL VALVE.
- ② FINISH GRADE.
- ③ PVC MALE ADAPTER (TYPICAL).
- ④ PVC SCHEDULE 80 PIPE (TYPICAL).
- ⑤ WATERPROOF WIRE CONNECTORS.
- ⑥ PVC PRESSURE MAIN LINE PIPING.
- ⑦ COMMON AND CONTROL WIRES TO CONTROLLER LOCATION.
- ⑧ PVC SCHEDULE 40 ELL.
- ⑨ PVC LATERAL LINE PIPING.

NOTES:

- 1. REFER TO PRODUCT LITERATURE FOR ADDITIONAL INSTALLATION AND ADJUSTMENT INFORMATION.
- 2. INSTALLATION TO BE COMPLETED IN ACCORDANCE WITH MANUFACTURER'S SPECIFICATIONS.
- 3. DO NOT SCALE DRAWING.
- 4. THIS DRAWING IS INTENDED FOR USE BY ARCHITECTS, ENGINEERS, CONTRACTORS, CONSULTANTS AND DESIGN PROFESSIONALS FOR PLANNING PURPOSES ONLY. THIS DRAWING MAY NOT BE USED FOR CONSTRUCTION.
- 5. ALL INFORMATION CONTAINED HEREIN WAS CURRENT AT THE TIME OF DEVELOPMENT BUT MUST BE REVIEWED AND APPROVED BY THE PRODUCT MANUFACTURER TO BE CONSIDERED ACCURATE.
- 6. CONTRACTOR'S NOTE: FOR PRODUCT AND COMPANY INFORMATION VISIT www.CADdetails.com/info AND ENTER REFERENCE NUMBER 743-056.



VALVES

2711DPR 075: ELECTRIC. FLOW CONTROL, THREADED BONNET