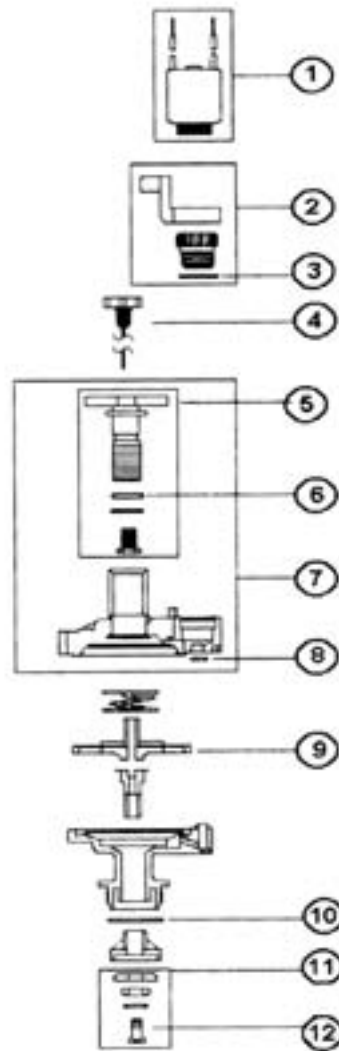


VALVES

300 SERIES ELECTRIC VALVE ADAPTER

MODEL NUMBERS:

- 300-.75
- 300-1



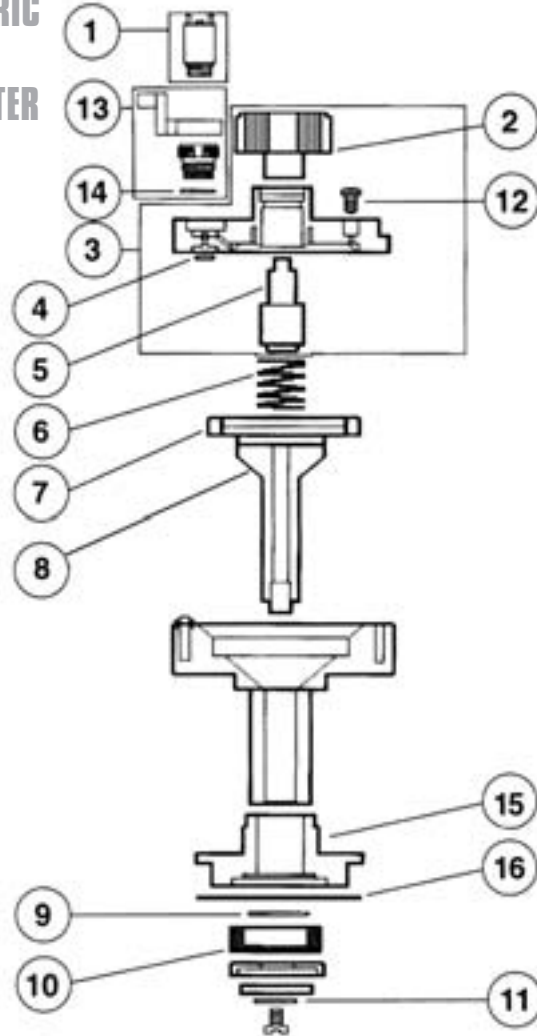
REF.#	DESCRIPTION	300-.75 PART NO.	300-1 PART NO.
1	Solenoid Assembly, 24 VAC, 60 Hz	R811-24VACG	R811-24VACG
1	Solenoid Assembly, 24 VAC, 50 Hz	588403	588403
2	Manual Bleed Assembly	R606902	R606902
3	O-Ring	R1631	R1631
4	Metering Rod Assembly	R-2025	R-2025
5	Flow Adjustment Assembly	R2862-1	R2862-1
6	O-Ring	R688701	R688701
7	Bonnet Assembly	R933601	R933601
8	O-Ring	R1054	R1054
9	Diaphragm Stem Assembly (includes Ref. Nos. 2 & 8)	R727001	R726901
10	O-Ring	R726801	R726701
11	Seat Seal Assembly	R650001	R650002
12	Seat Seal Screw	R544101	R544101

VALVES

2623DPR SERIES ELECTRIC VALVE ADAPTER

MODEL NUMBERS:

- 2623DPR-.75
- 2623DPR-1



REF.#	DESCRIPTION	2623DPR-.75 PART NO.	2623DPR-1 PART NO.
1	Solenoid Assembly, 24 VAC, 60 Hz	R811-24VACG	R811-24VACG
1	Solenoid Assembly, 24 VAC, 50 Hz	588403	588403
2	Flow Adjust Knob	100227-H	100227-H
3	Cover Assembly	636201	636201
4	O-Ring	121001	121001
5	Flow Adjustment Assembly	148201	148201
6	Spring	R153201	R153201
7	Diaphragm Kit	149601	149601
8	Diaphragm Stem Assembly	636302	573601
9	O-Ring	R725401	R725401
10	Retainer Nut	102-2033	102-2033
11	Bib Washer	156001	156201
12	Bleed Screw	100229	100229
13	Manual Bleed Assembly	R606902	R606902
14	O-Ring	R1631	R1631
15	GEE Adapter Nut	846001	845701
16	Gasket, Nut	623-27	623-26