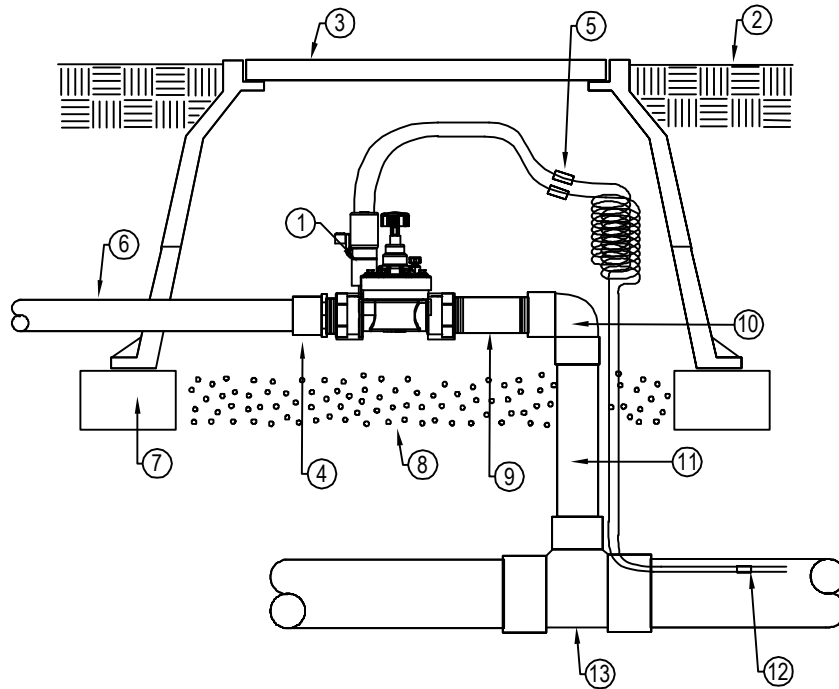




IRRITROL SYSTEMS  
 5825 JASMINE ST.  
 RIVERSIDE, CA 92504  
 TOLL FREE: 1-800-634-8873  
 PHONE: (951) 785-3454  
 www.irritrol.com



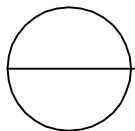
SECTION

**LEGEND:**

- ① IRRITROL 2500TF ELECTRIC CONTROL VALVE.
- ② FINISH GRADE.
- ③ VALVE BOX (HEIGHT ABOVE GRADE AS REQUIRED).
- ④ PVC MALE ADAPTER.
- ⑤ WATERPROOF WIRE CONNECTORS.
- ⑥ PVC LATERAL LINE-ANGLE TO PROPER DEPTH WITH 450 ELLS.
- ⑦ COMMON RED BRICK (4 REQUIRED).
- ⑧ PEA GRAVEL - 12" DEEP.
- ⑨ PVC SCHEDULE 80 NIPPLE (6" LONG).
- ⑩ PVC SCHEDULE 40 S X T ELL.
- ⑪ PVC SCHEDULE 80 PIPE.
- ⑫ COMMON AND CONTROL WIRES TO CONTROLLER LOCATION.
- ⑬ PRESSURE MAIN LINE PIPING WITH MAIN LINE FITTING (DEPTH AS REQUIRED).

**NOTES:**

- 1. REFER TO PRODUCT LITERATURE FOR ADDITIONAL INSTALLATION AND ADJUSTMENT INFORMATION.
- 2. INSTALLATION TO BE COMPLETED IN ACCORDANCE WITH MANUFACTURER'S SPECIFICATIONS.
- 3. DO NOT SCALE DRAWING.
- 4. THIS DRAWING IS INTENDED FOR USE BY ARCHITECTS, ENGINEERS, CONTRACTORS, CONSULTANTS AND DESIGN PROFESSIONALS FOR PLANNING PURPOSES ONLY. THIS DRAWING MAY NOT BE USED FOR CONSTRUCTION.
- 5. ALL INFORMATION CONTAINED HEREIN WAS CURRENT AT THE TIME OF DEVELOPMENT BUT MUST BE REVIEWED AND APPROVED BY THE PRODUCT MANUFACTURER TO BE CONSIDERED ACCURATE.
- 6. CONTRACTOR'S NOTE: FOR PRODUCT AND COMPANY INFORMATION VISIT [www.CADdetails.com/info](http://www.CADdetails.com/info) AND ENTER REFERENCE NUMBER 743-054.



**VALVES**

2500 SERIES: 205TF NPT THREADED CONNECTION W. FLOW CONTROL