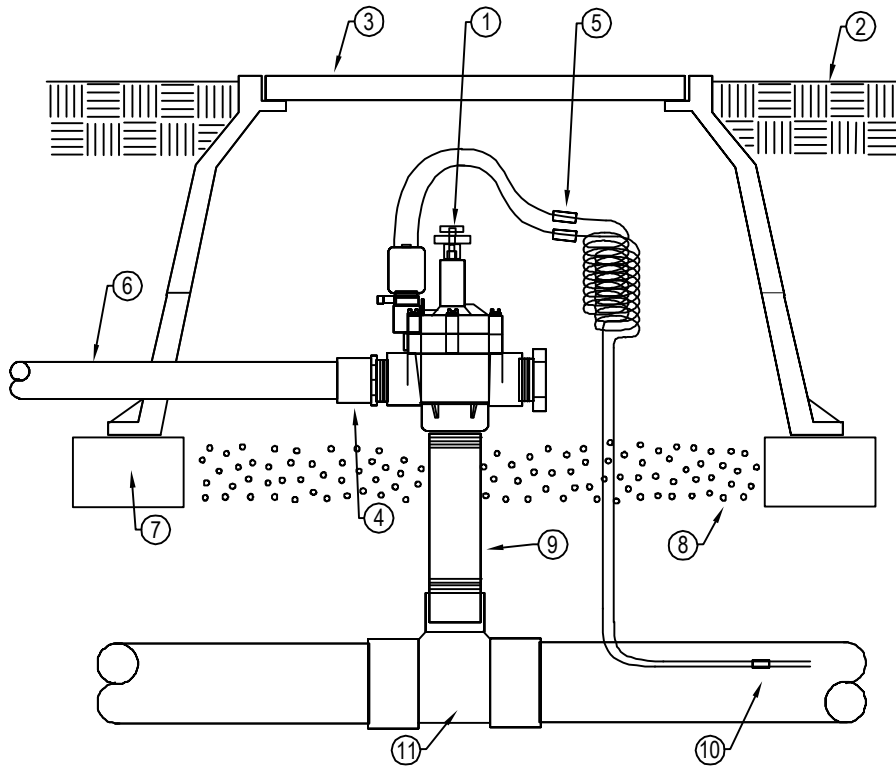




IRRITROL SYSTEMS
 5825 JASMINE ST.
 RIVERSIDE, CA 92504
 TOLL FREE: 1-800-634-8873
 PHONE: (951) 785-3454
 www.irritrol.com



SECTION

LEGEND:

- ① IRRITROL 100P1/-LS, 100P1.5/-LS, 100P2/-LS 100P3/-LS ELECTRIC CONTROL VALVE.
- ② FINISH GRADE.
- ③ VALVE BOX (HEIGHT ABOVE GRADE AS REQUIRED).
- ④ PVC MALE ADAPTER.
- ⑤ WATERPROOF WIRE CONNECTORS.
- ⑥ PVC LATERAL LINE-ANGLE TO PROPER DEPTH WITH 450 ELLS.
- ⑦ COMMON RED BRICK (4 REQUIRED).
- ⑧ PEA GRAVEL - 12" DEEP.
- ⑨ PVC SCHEDULE 80 NIPPLE (LENGTH AS REQUIRED).
- ⑩ COMMON AND CONTROL WIRES TO CONTROLLER LOCATION.
- ⑪ PRESSURE MAIN LINE PIPING WITH MAIN LINE FITTING (DEPTH AS REQUIRED).

NOTES:

- 1. REFER TO PRODUCT LITERATURE FOR ADDITIONAL INSTALLATION AND ADJUSTMENT INFORMATION.
- 2. INSTALLATION TO BE COMPLETED IN ACCORDANCE WITH MANUFACTURER'S SPECIFICATIONS.
- 3. DO NOT SCALE DRAWING.
- 4. THIS DRAWING IS INTENDED FOR USE BY ARCHITECTS, ENGINEERS, CONTRACTORS, CONSULTANTS AND DESIGN PROFESSIONALS FOR PLANNING PURPOSES ONLY. THIS DRAWING MAY NOT BE USED FOR CONSTRUCTION.
- 5. ALL INFORMATION CONTAINED HEREIN WAS CURRENT AT THE TIME OF DEVELOPMENT BUT MUST BE REVIEWED AND APPROVED BY THE PRODUCT MANUFACTURER TO BE CONSIDERED ACCURATE.
- 6. CONTRACTOR'S NOTE: FOR PRODUCT AND COMPANY INFORMATION VISIT www.CADdetails.com/info AND ENTER REFERENCE NUMBER 743-028.

