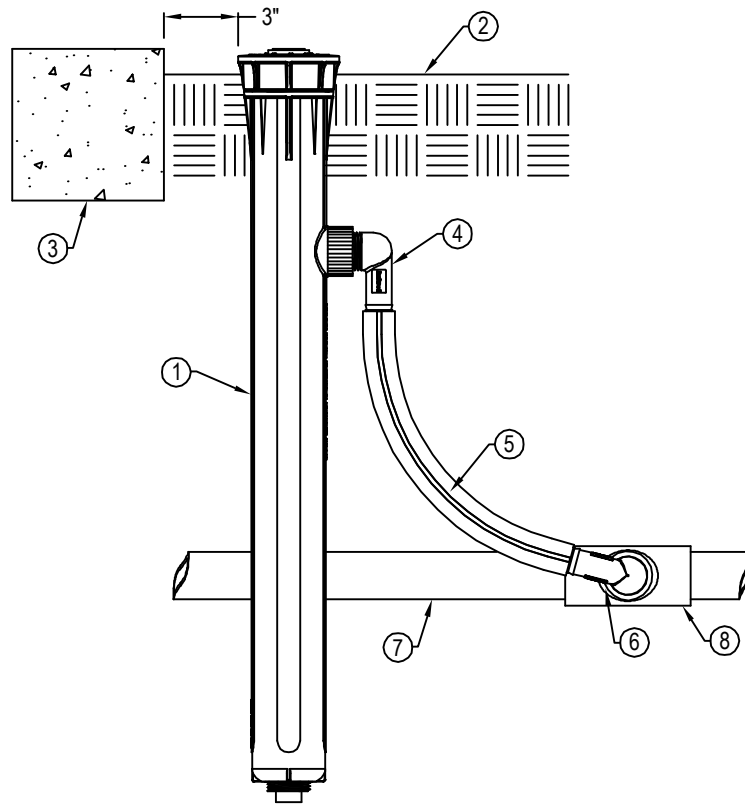




IRRITROL SYSTEMS  
 5825 JASMINE ST.  
 RIVERSIDE, CA 92504  
 TOLL FREE: 1-800-634-8873  
 PHONE: (951) 785-3454  
 www.irritrol.com



SECTION

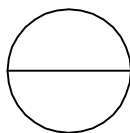
**LEGEND:**

- ① IRRITROL I-PRO1200 SI BLUE 12" POP-UP SPRAY SPRINKLER WITH NOZZLE.
- ② FINISH GRADE.
- ③ CURB, SIDEWALK OR FOUNDATION.
- ④ IRRITROL FFP-50EM.
- ⑤ IRRITROL SUPER BLUE FLEX \*PIPE #EHD 1295-010 (LENGTH AS REQUIRED).
- ⑥ IRRITROL FFP-50EM OR FFP-75EM.
- ⑦ LATERAL LINE PIPING.
- ⑧ LATERAL LINE PIPE FITTING (TEE OR ELBOW).

\*COMPATIBLE WITH ALL IRRITROL AND TORO FITTINGS.

**NOTES:**

- 1. TEFLON TAPE ALL THREADED JOINTS.
- 2. INSTALLATION TO BE COMPLETED IN ACCORDANCE WITH MANUFACTURER'S SPECIFICATIONS.
- 3. DO NOT SCALE DRAWING.
- 4. THIS DRAWING IS INTENDED FOR USE BY ARCHITECTS, ENGINEERS, CONTRACTORS, CONSULTANTS AND DESIGN PROFESSIONALS FOR PLANNING PURPOSES ONLY. THIS DRAWING MAY NOT BE USED FOR CONSTRUCTION.
- 5. ALL INFORMATION CONTAINED HEREIN WAS CURRENT AT THE TIME OF DEVELOPMENT BUT MUST BE REVIEWED AND APPROVED BY THE PRODUCT MANUFACTURER TO BE CONSIDERED ACCURATE.
- 6. CONTRACTOR'S NOTE: FOR PRODUCT AND COMPANY INFORMATION VISIT [www.CADdetails.com/info](http://www.CADdetails.com/info) AND ENTER REFERENCE NUMBER 743-026.



**SPRAY HEADS**

I-PRO 600 SERIES WITH PVC