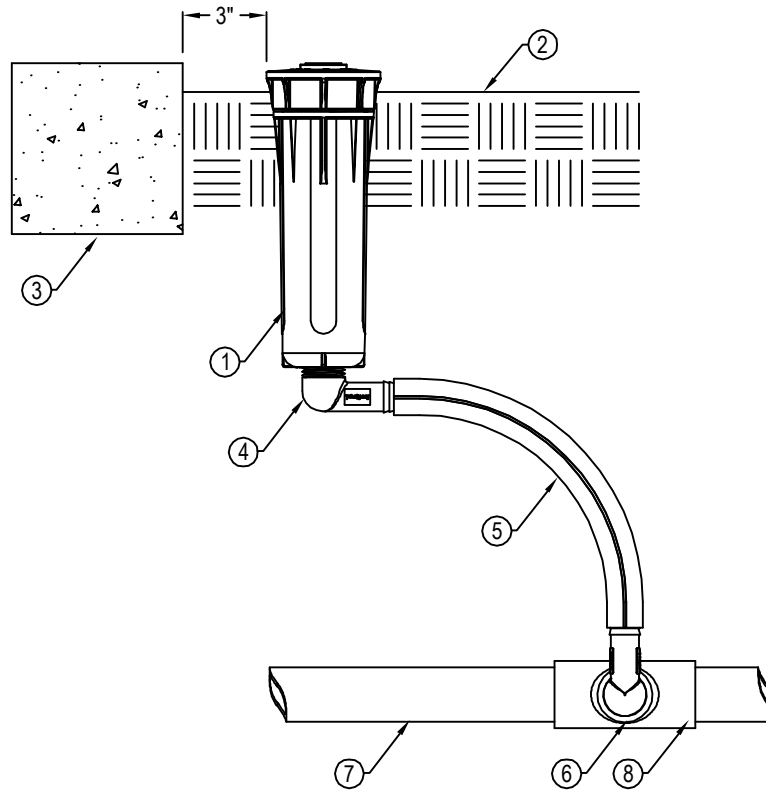




IRRITROL SYSTEMS
 5825 JASMINE ST.
 RIVERSIDE, CA 92504
 TOLL FREE: 1-800-634-8873
 PHONE: (951) 785-3454
 www.irritrol.com



SECTION

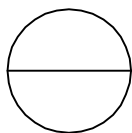
LEGEND:

- ① IRRITROL I-PRO400 BLUE FLEX 4" POP-UP SPRAY SPRINKLER WITH NOZZLE.
- ② FINISH GRADE.
- ③ CURB, SIDEWALK OR FOUNDATION.
- ④ IRRITROL FFP-50EM.
- ⑤ IRRITROL DUPER BLUE FLEX* PIPE #EHD 1295-010 (LENGTH AS REQUIRED).
- ⑥ IRRITROL FFP-50EM OR FFP75EM.
- ⑦ LATERAL LINE PIPING.
- ⑧ LATERAL LINE PIPE FITTING (TEE OR ELBOW).

*COMPATIBLE WITH ALL IRRITROL AND TORO FITTINGS.

NOTES:

1. TEFLON TAPE ALL THREADED JOINTS.
2. INSTALLATION TO BE COMPLETED IN ACCORDANCE WITH MANUFACTURER'S SPECIFICATIONS.
3. DO NOT SCALE DRAWING.
4. THIS DRAWING IS INTENDED FOR USE BY ARCHITECTS, ENGINEERS, CONTRACTORS, CONSULTANTS AND DESIGN PROFESSIONALS FOR PLANNING PURPOSES ONLY. THIS DRAWING MAY NOT BE USED FOR CONSTRUCTION.
5. ALL INFORMATION CONTAINED HEREIN WAS CURRENT AT THE TIME OF DEVELOPMENT BUT MUST BE REVIEWED AND APPROVED BY THE PRODUCT MANUFACTURER TO BE CONSIDERED ACCURATE.
6. CONTRACTOR'S NOTE: FOR PRODUCT AND COMPANY INFORMATION VISIT www.CADdetails.com/info AND ENTER REFERENCE NUMBER 743-022.



SPRAY HEADS

I-PRO 400 SERIES WITH BLUE FLEX