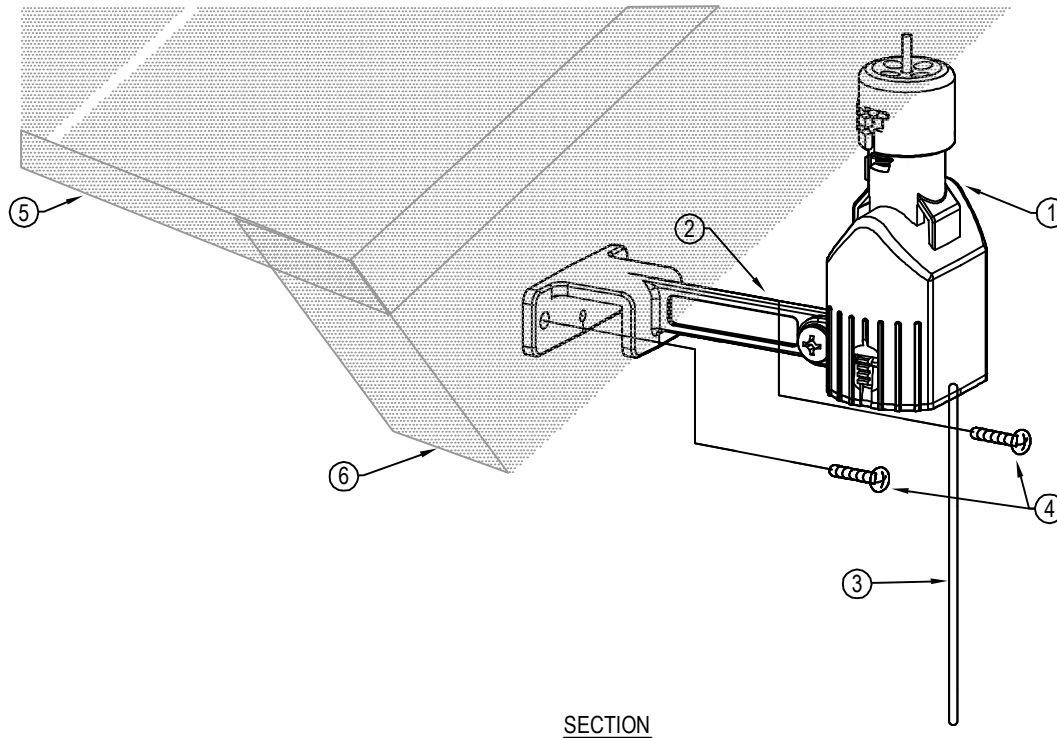




IRRITROL SYSTEMS
5825 JASMINE ST.
RIVERSIDE, CA 92504
TOLL FREE: 1-800-634-8873
PHONE: (951) 785-3454
www.irritrol.com



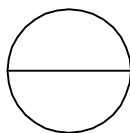
SECTION

LEGEND:

- ① IRRITROL WIRELESS RAIN SENSOR MODEL NUMBER RS1000 AND RFS1000.
- ② ADJUSTABLE MOUNTING BRACKET.
- ③ ANTENNA.
- ④ STAINLESS STEEL SCREWS.
- ⑤ ROOF.
- ⑥ EAVE.

NOTES:

- 1. ALL ELECTRICAL WORK MUST CONFORM TO LOCAL CODES. REFER TO PRODUCT LITERATURE FOR ADDITIONAL INSTALLATION REQUIREMENTS.
- 2. INSTALLATION TO BE COMPLETED IN ACCORDANCE WITH MANUFACTURER'S SPECIFICATIONS.
- 3. DO NOT SCALE DRAWING.
- 4. THIS DRAWING IS INTENDED FOR USE BY ARCHITECTS, ENGINEERS, CONTRACTORS, CONSULTANTS AND DESIGN PROFESSIONALS FOR PLANNING PURPOSES ONLY. THIS DRAWING MAY NOT BE USED FOR CONSTRUCTION.
- 5. ALL INFORMATION CONTAINED HEREIN WAS CURRENT AT THE TIME OF DEVELOPMENT BUT MUST BE REVIEWED AND APPROVED BY THE PRODUCT MANUFACTURER TO BE CONSIDERED ACCURATE.
- 6. CONTRACTOR'S NOTE: FOR PRODUCT AND COMPANY INFORMATION VISIT www.CADdetails.com/info AND ENTER REFERENCE NUMBER 743-019.



SENSORS

RAIN SENSOR RS1000 WIRELESS HIGH POLE MOUNT