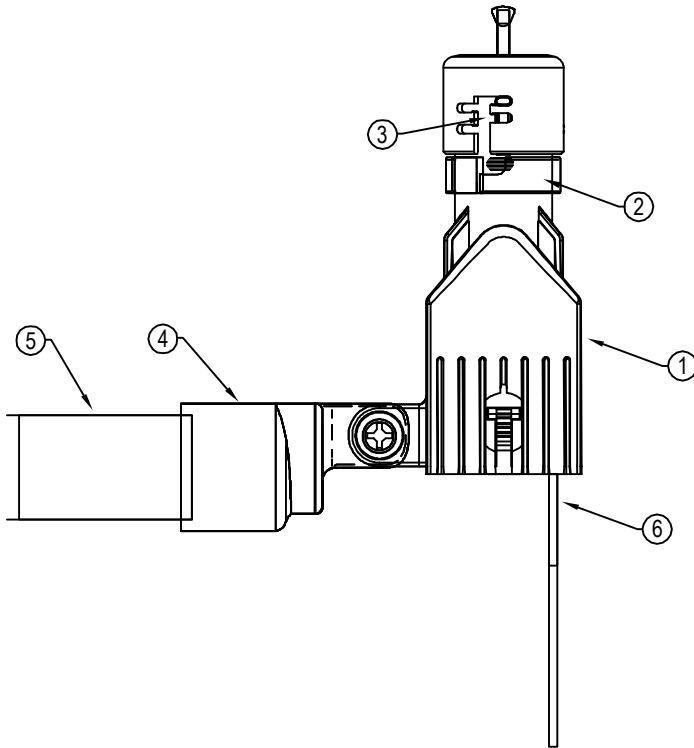
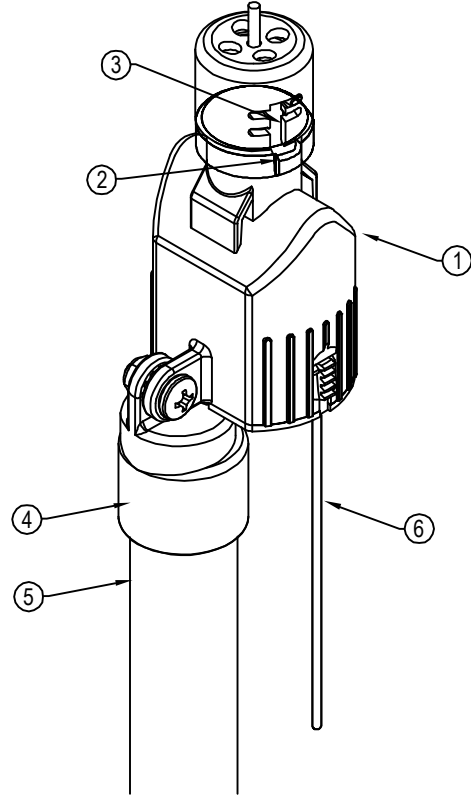




IRRITROL SYSTEMS
 5825 JASMINE ST.
 RIVERSIDE, CA 92504
 TOLL FREE: 1-800-634-8873
 PHONE: (951) 785-3454
 www.irritrol.com



WIRED CONDUIT MOUNT A



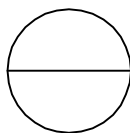
WIRED CONDUIT MOUNT B

LEGEND:

- ① IRRITROL WIRELESS RAIN SENSOR MODEL NUMBER RS1000 AND RFS1000.
- ② VENT/DRY-OUT ADJUSTMENT.
- ③ RAINFALL ADJUSTMENT.
- ④ CONDUIT ADAPTER.
- ⑤ 1/2" PVC.
- ⑥ ANTENNA.

NOTES:

1. ALL ELECTRICAL WORK MUST CONFORM TO LOCAL CODES. REFER TO PRODUCT LITERATURE FOR ADDITIONAL INSTALLATION REQUIREMENTS.
2. INSTALLATION TO BE COMPLETED IN ACCORDANCE WITH MANUFACTURER'S SPECIFICATIONS.
3. DO NOT SCALE DRAWING.
4. THIS DRAWING IS INTENDED FOR USE BY ARCHITECTS, ENGINEERS, CONTRACTORS, CONSULTANTS AND DESIGN PROFESSIONALS FOR PLANNING PURPOSES ONLY. THIS DRAWING MAY NOT BE USED FOR CONSTRUCTION.
5. ALL INFORMATION CONTAINED HEREIN WAS CURRENT AT THE TIME OF DEVELOPMENT BUT MUST BE REVIEWED AND APPROVED BY THE PRODUCT MANUFACTURER TO BE CONSIDERED ACCURATE.
6. CONTRACTOR'S NOTE: FOR PRODUCT AND COMPANY INFORMATION VISIT www.CADdetails.com/info AND ENTER REFERENCE NUMBER 743-016.



SENSORS

RAIN SENSOR RS1000 CONDUIT MOUNT