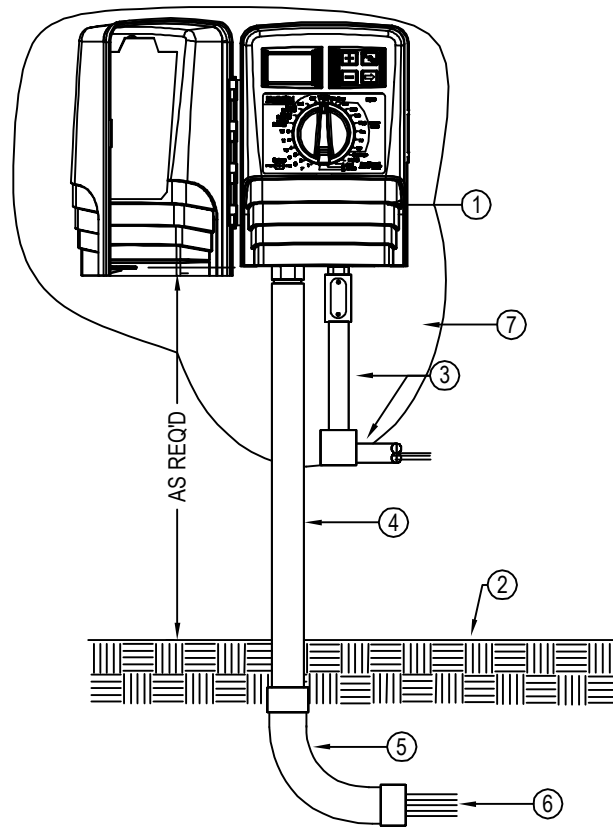




IRRITROL SYSTEMS  
5825 JASMINE ST.  
RIVERSIDE, CA 92504  
TOLL FREE: 1-800-634-8873  
PHONE: (951) 785-3454  
www.irritrol.com



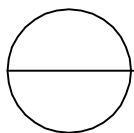
SECTION

LEGEND:

- ① IRRITROL KD-EXT KWIKDIAL SERIES AUTOMATIC SPRINKLER CONTROLLER (EXTERIOR WALL MOUNT).
- ② FINISH GRADE.
- ③ 1/2" UL APPROVED ELECTRICAL CONDUIT, RING NUT AND JUNCTION BOX FOR 120V AC ELECTRICAL POWER.
- ④ PVC SCHEDULE 40 CONTROL WIRE CONDUIT (SIZE AS REQUIRED).
- ⑤ PVC SWEEP ELL (DEPTH AS REQUIRED).
- ⑥ CONTROL WIRES TO ELECTRIC VALVES.
- ⑦ EXTERIOR SURFACE FOR MOUNTING OF SPRINKLER CONTROLLER.

NOTES:

- 1. ALL ELECTRICAL WORK MUST CONFORM TO LOCAL CODES. REFER TO PRODUCT LITERATURE FOR ADDITIONAL INSTALLATION REQUIREMENTS.
- 2. INSTALLATION TO BE COMPLETED IN ACCORDANCE WITH MANUFACTURER'S SPECIFICATIONS.
- 3. DO NOT SCALE DRAWING.
- 4. THIS DRAWING IS INTENDED FOR USE BY ARCHITECTS, ENGINEERS, CONTRACTORS, CONSULTANTS AND DESIGN PROFESSIONALS FOR PLANNING PURPOSES ONLY. THIS DRAWING MAY NOT BE USED FOR CONSTRUCTION.
- 5. ALL INFORMATION CONTAINED HEREIN WAS CURRENT AT THE TIME OF DEVELOPMENT BUT MUST BE REVIEWED AND APPROVED BY THE PRODUCT MANUFACTURER TO BE CONSIDERED ACCURATE.
- 6. CONTRACTOR'S NOTE: FOR PRODUCT AND COMPANY INFORMATION VISIT [www.CADdetails.com/info](http://www.CADdetails.com/info) AND ENTER REFERENCE NUMBER 743-004.



## CONTROLLERS

KIWK DIAL SERIES: OUTDOOR