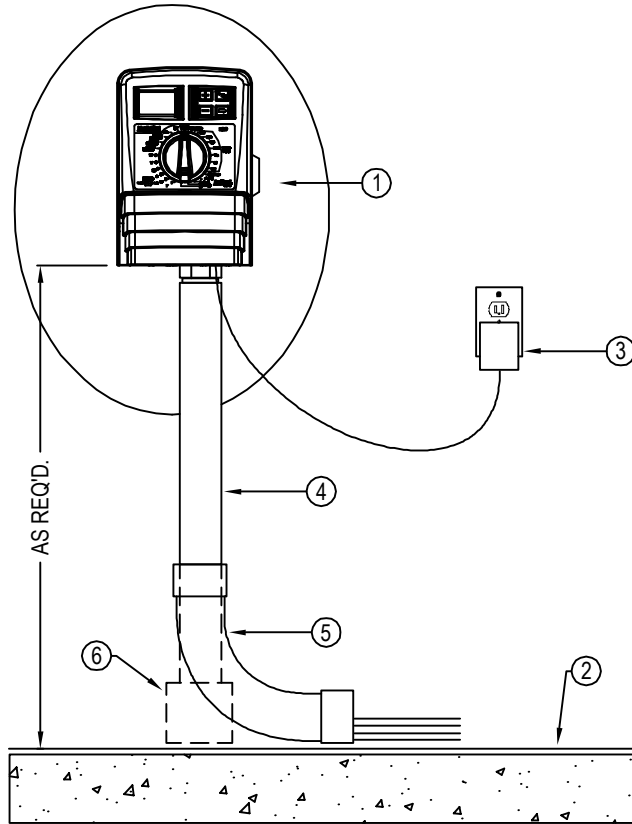




IRRITROL SYSTEMS
5825 JASMINE ST.
RIVERSIDE, CA 92504
TOLL FREE: 1-800-634-8873
PHONE: (951) 785-3454
www.irritrol.com



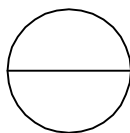
SECTION

LEGEND:

- ① IRRITROL KD-INT KWIKDIAL SERIES AUTOMATIC SPRINKLER CONTROLLER (INTERIOR WALL MOUNT WITH EXTERNAL TRANSFORMER).
- ② FINISH SURFACE OF INTERIOR SPACE WHERE CONTROLLER IS LOCATED.
- ③ EXTERNAL PLUG-IN TRANSFORMER (PROVIDED WITH CONTROLLER).
- ④ PVC SCHEDULE 40 CONTROL WIRE CONDUIT (SIZE AS REQUIRED).
- ⑤ PVC SWEEP ELL (PROTECTING LOW VOLTAGE CONTROL WIRES TO THE ELECTRIC VALVES).
- ⑥ OPTIONAL JUNCTION BOX TO ROUTE CONTROL WIRES TO THE ELECTRIC VALVES.

NOTES:

1. ALL ELECTRICAL WORK MUST CONFORM TO LOCAL CODES. REFER TO PRODUCT LITERATURE FOR ADDITIONAL INSTALLATION REQUIREMENTS.
2. INSTALLATION TO BE COMPLETED IN ACCORDANCE WITH MANUFACTURER'S SPECIFICATIONS.
3. DO NOT SCALE DRAWING.
4. THIS DRAWING IS INTENDED FOR USE BY ARCHITECTS, ENGINEERS, CONTRACTORS, CONSULTANTS AND DESIGN PROFESSIONALS FOR PLANNING PURPOSES ONLY. THIS DRAWING MAY NOT BE USED FOR CONSTRUCTION.
5. ALL INFORMATION CONTAINED HEREIN WAS CURRENT AT THE TIME OF DEVELOPMENT BUT MUST BE REVIEWED AND APPROVED BY THE PRODUCT MANUFACTURER TO BE CONSIDERED ACCURATE.
6. CONTRACTOR'S NOTE: FOR PRODUCT AND COMPANY INFORMATION VISIT www.CADdetails.com/info AND ENTER REFERENCE NUMBER 743-003.



CONTROLLERS

KIWK DIAL SERIES: INDOOR