

Irritrol®

ILLUSTRATED PARTS BREAKOUT

CONTROLLER REPAIR

TAKE ADVANTAGE OF IRRITROL'S CONTROLLER REPAIR SERVICES

Don't throw away a problematic controller... send it to us! Irritrol's team of skilled technicians can resolve your controller problem before your site suffers any damage. Simply call us direct, or call your Irritrol distributor to arrange for the help you need-immediately.

WITH IRRITROL'S CONTROLLER REPAIR ADVANTAGE, YOU'LL GET

- Immediate repair or replacement of unit within 48 to 72 hours
- Low, fixed prices with no surprises
- Quality repairs by the original manufacturer
- Product improvements/updates built into repairs
- Six-month warranty on replacements parts

IMMEDIATE RESPONSE TO YOUR NEEDS

We know that time is of the essence when it comes to protecting your site condition, and your reputation. For an immediate response to your immediate controller need, contact Irritrol Controller Repair Services.

Phone Numbers & Hours of Operation:

- Controller Repair Services:
1-800-899-2058
M-F from 6:00am to 2:30pm, Pacific Time
- Customer Support Line:
1-800-634-TURF (8873)
1-800-777-1477 - Rain Master Customer Support
M-F from 7:30am to 4:00pm, Pacific Time

Send Controller Repairs to:

Irritrol
5825 Jasmine Street
Riverside, CA 92504
Attn: Controller Repair

Please include the following information:

1. Your name/Company name
2. Address you want the unit return shipped to
3. Contact phone number
4. Short description of the problem



Industry professionals depend on Irritrol to supply the products, services, and support that will save them time and money, ultimately benefiting their bottom line.

TABLE OF CONTENTS

CONTROLLERS

Rain Dial®-R Series	1-2
Total Control®-R Series	3-4
KwikDial® Series	5-6
KD2	7-8
MC-E Series	9-10
PC Control Series	11
IBOC® Plus Series	12

RAIN MASTER® CONTROLLERS AND ACCESSORIES

Eagle™	13-14
Twice™ 2-Wire (Eagle)	16
Sentar II™	17-18
Pro Max™	19
Weather Center	20

CONTROLLERS (DISCONTINUED)

304/306 Series	21-22
508/512 Series	24
Rain Dial® PLUS Series	25-26
Smart Dial™ Series	27-28
MC PLUS Series	29-30
DIAL Series	31-32

VALVES

100 Series	33-34
200B Series	35
205 Series	36
300 Series (Valve Adapters)	37
311A Series	38
700 Series (UltraFlow)	39-40
2400 Series	41
2500 Series	42
2600 Series	43
2623DPR Series	44
2700 Series	45-47
OmniReg™ (Modular Pressure Regulator)	48

VALVES (DISCONTINUED)

300 Series	49
Century Series	50
HR1 Series	51

VALVE ACCESSORIES

Mini Valve Body	52
Solenoid Conduit Cover	52
Hydraulic Valve Conversion Kit	52
Manual Bleed Adapter	52
Regulator Assembly Kit	52
Solenoid Kit (Purple)	52
Pressure Gauge Kit	52
24 VDC Solenoid Assembly	52
24 VAC Solenoid Assembly	52
DC Latching Solenoid	52
Cap Nut Tool	52

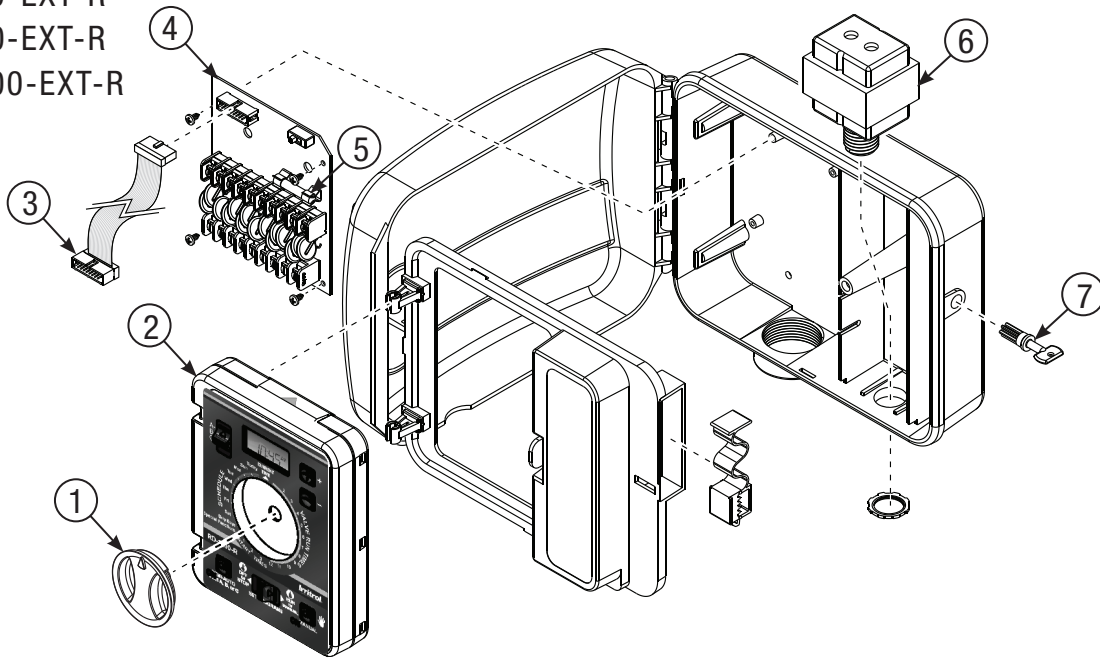
CONTROLLERS

RAIN DIAL® SERIES HYBRID



OUTDOOR MODELS:

- RD600-EXT-R
- RD900-EXT-R
- RD1200-EXT-R



NOTE: The new Rain Dial-R module will retrofit older Rain Dial cabinets.

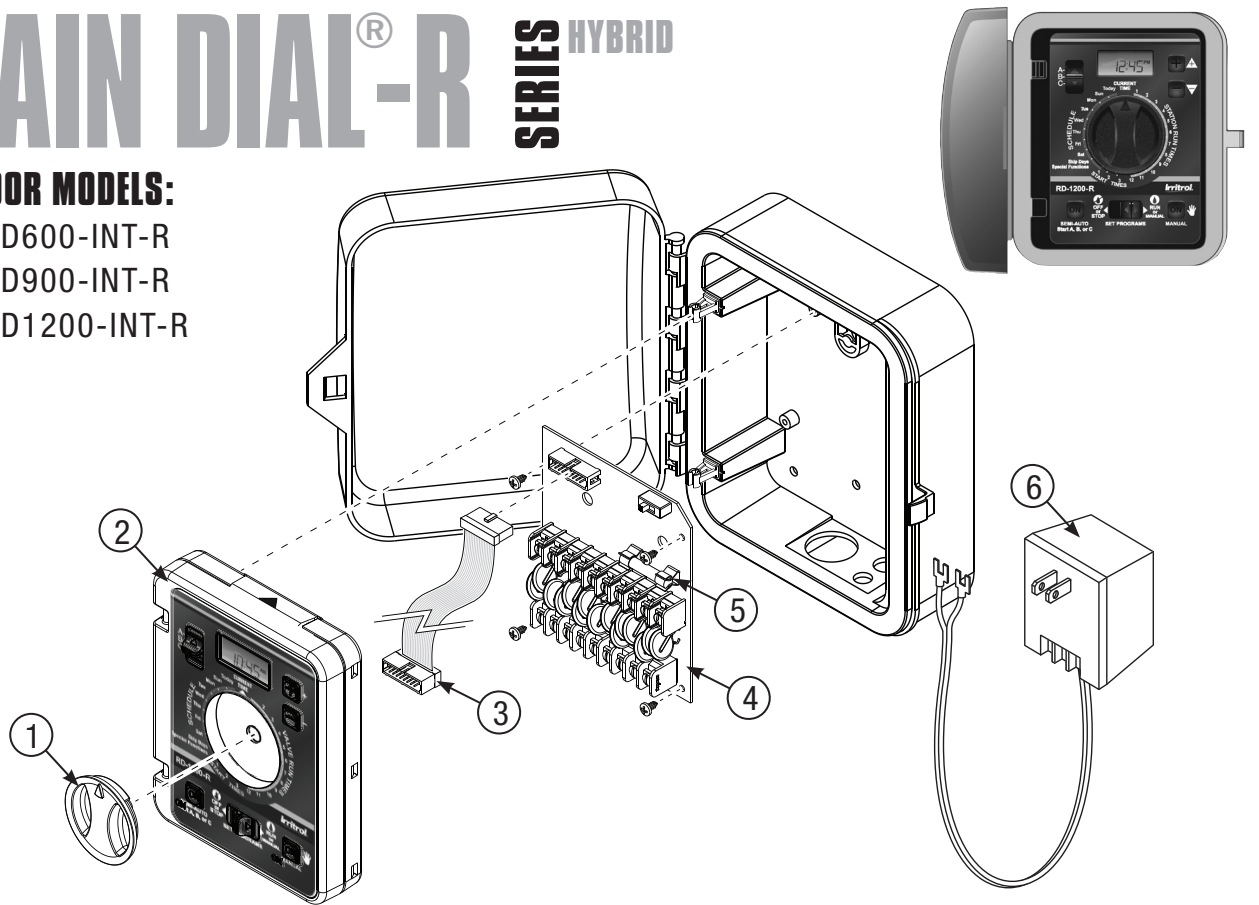
REF.#	DESCRIPTION	PART NO.	PART NO.	PART NO.
		RD600-EXT-R	RD900-EXT-R	RD1200-EXT-R
1	Select Knob, Rain Dial	638702	638702	638702
2	Module Assembly	RD-6 MOD-R	RD-9 MOD-R	RD-12 MOD-R
3	Cable, Adapter, 20 x 16 Pin	R102-5476	R102-5476	R102-5476
4	Terminal Board Assembly	102-7995	102-7995	102-7995
4	Terminal Board Assembly "Lead Free"	102-8283	102-8283	102-8283
5	Fuse 2 amp SLO-BLO	363-8640	363-8640	363-8640
6	Transformer Assembly, 120 VAC, 60 HZ	R675302	R675302	R675302
6	Transformer Assembly, 220 VAC, 50 Hz	R363-2415	R363-2415	R363-2415
6	Transformer Assembly, 240 VAC, 50 Hz	R719102	R719102	R719102
6	Transformer, Corded, 240 VAC, 30 VA	363-9541C	363-9541C	363-9541C
7	Key	R8969	R8969	R8969
	Door Label Instructions	Visit www.irritrol.com to download		
	Instruction Manual	Visit www.irritrol.com to download		

CONTROLLERS

RAIN DIAL® SERIES HYBRID

INDOOR MODELS:

- RD600-INT-R
- RD900-INT-R
- RD1200-INT-R



NOTE: The new Rain Dial-R module will retrofit older Rain Dial cabinets.

REF.#	DESCRIPTION	RD600-INT-R PART NO.	RD900-INT-R PART NO.	RD1200-INT-R PART NO.
1	Select Knob, Rain Dial	638702	638702	638702
2	Module Assembly	RD-6 MOD-R	RD-9 MOD-R	RD-12 MOD-R
3	Cable Adapter, 20 x 16 Pin	R102-5476	R102-5476	R102-5476
4	Terminal Board Assembly	102-7995	102-7995	102-7995
4	Terminal Board Assembly "Lead Free"	102-8283	102-8283	102-8283
5	Fuse 2 amp SLO-BLO	363-8640	363-8640	363-8640
6	Transformer Assembly, 120 VAC, 60 Hz	R201902	R201902	R201902
	Instruction Manual	Visit www.irritrol.com to download		
	Door Label Instructions	Visit www.irritrol.com to download		

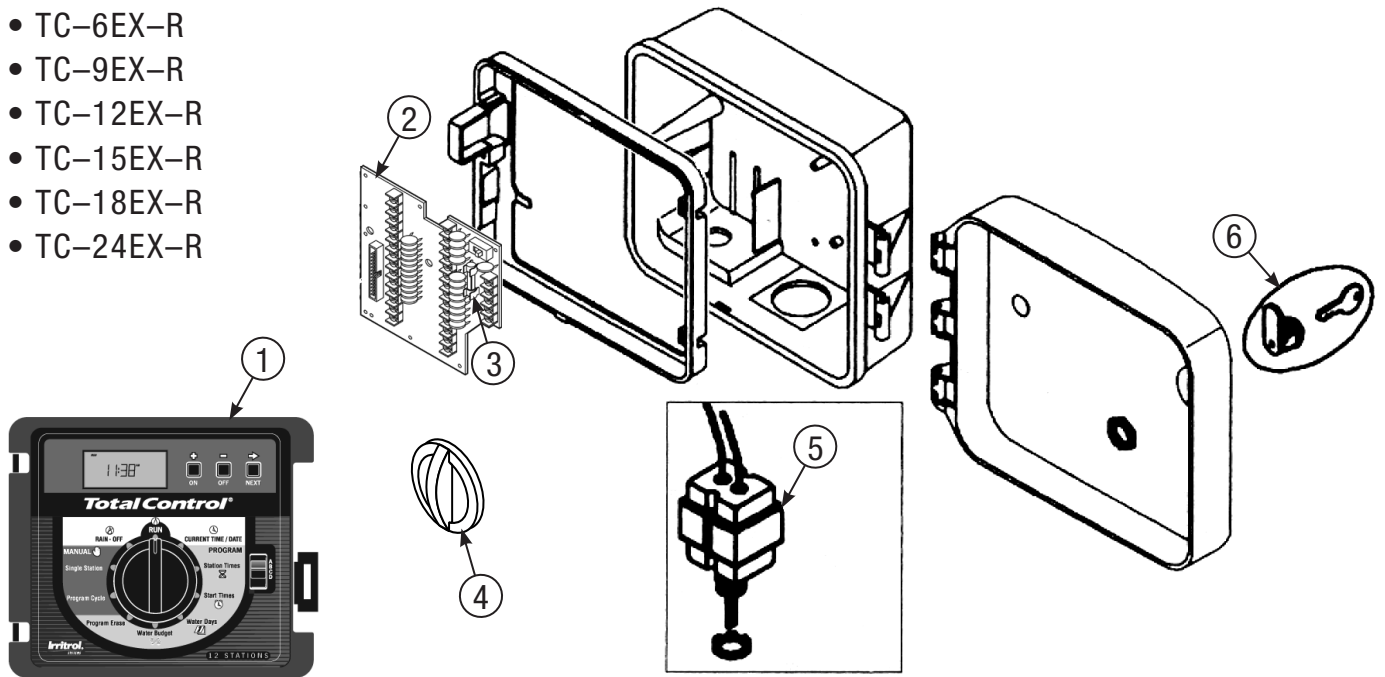
CONTROLLERS

TOTAL CONTROL[®] SERIES HYBRID



OUTDOOR MODELS:

- TC-6EX-R
- TC-9EX-R
- TC-12EX-R
- TC-15EX-R
- TC-18EX-R
- TC-24EX-R



REF.#	DESCRIPTION	TC-6EX-R PART NO.	TC-9EX-R PART NO.	TC-12EX-R PART NO.	TC-15EX-R PART NO.	TC-18EX-R PART NO.	TC-24EX-R PART NO.
1	Module Assembly	TC-6MOD-R	TC-9MOD-R	TC-12MOD-R	TC-15MOD-R	TC-18MOD-R	TC24-MOD-R
2	Terminal Board Assembly	102-2615	102-2615	102-2615	102-2614	102-2614	102-2614
2	Terminal Board Assembly, ROHS	102-8104	102-8104	102-8104	102-8103	102-8103	102-8103
3	Fuse 2 amp SLO-BLO	363-1578	363-1578	363-1578	363-1578	363-1578	363-1578
4	Select Knob, Total Control	597701	597701	597701	597701	597701	597701
5	Transformer Assy, 230 VAC, 50 Hz, ROHS	102-5804C	102-5804C	102-5804C	102-5804C	102-5804C	102-5804C
5	Transformer Assembly, 120 VAC, 60 Hz	R614201	R614201	R614201	R614201	R614201	R614201
6	Key and Lock Assembly	R671101	R671101	R671101	R671101	R671101	R671101
	User's Manual	Visit www.irritrol.com to download					
	Quick Reference Card	Visit www.irritrol.com to download					

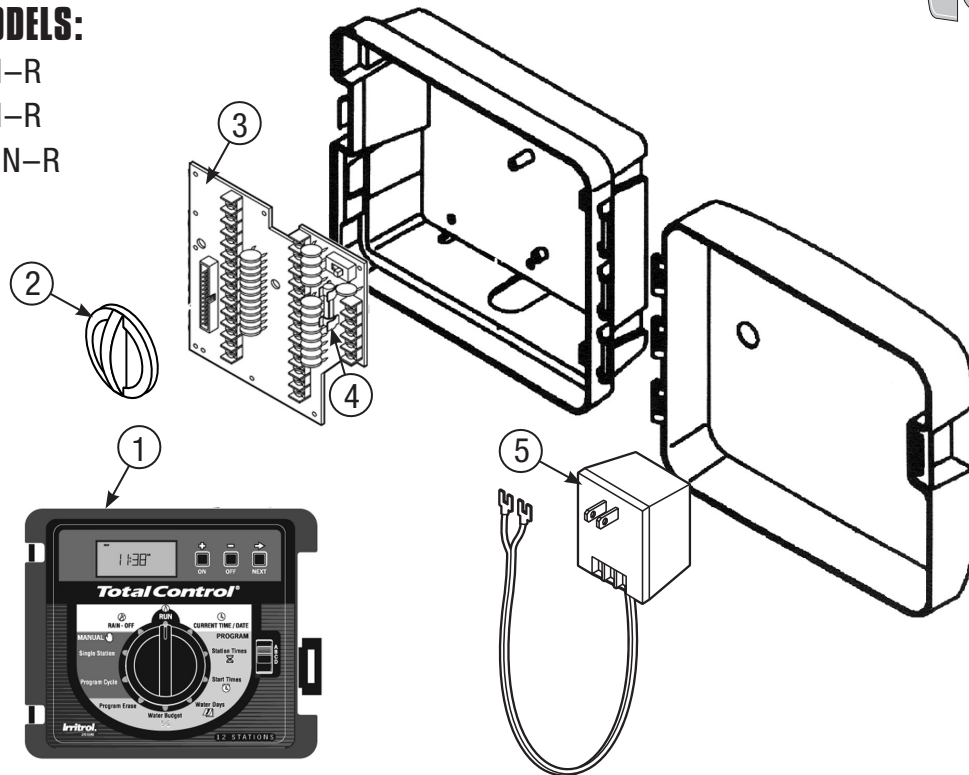
CONTROLLERS

TOTAL CONTROL[®] SERIES HYBRID



INDOOR MODELS:

- TC-6IN-R
- TC-9IN-R
- TC-12IN-R



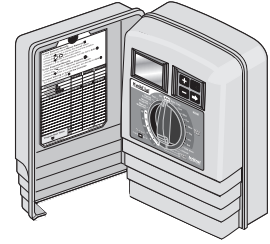
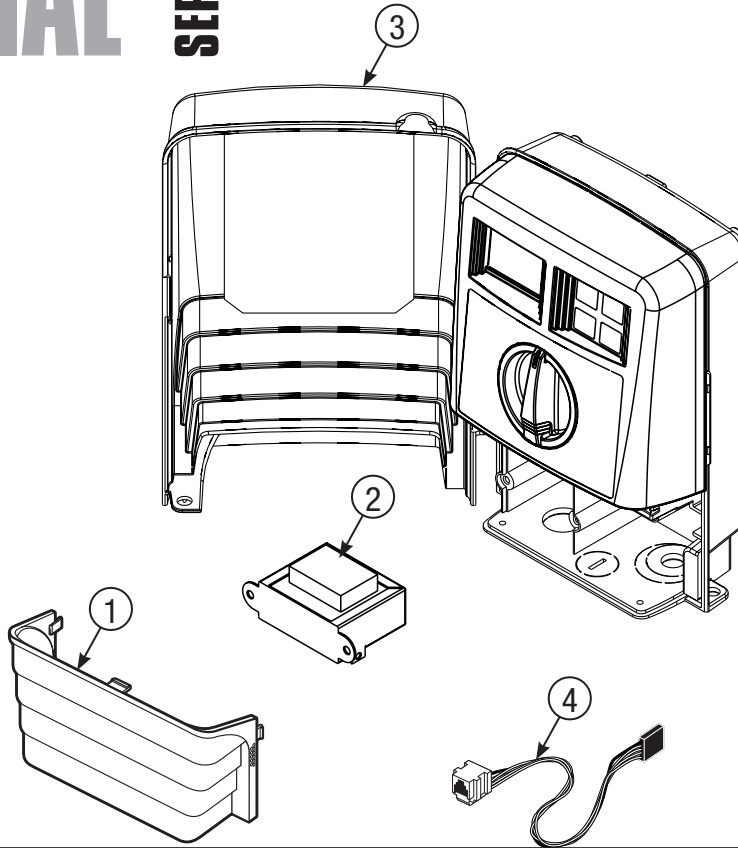
		TC-6IN-R	TC-9IN-R	TC-12IN-R
REF.#	DESCRIPTION	PART NO.	PART NO.	PART NO.
1	Module Assembly	TC-6MOD-R	TC-9MOD-R	TC-12MOD-R
2	Select Knob, Total Control	597701	597701	597701
3	Terminal Board Assembly	102-2615	102-2615	102-2615
4	Fuse 2 amp SLO-BLO	363-1578	363-1578	363-1578
5	Transformer Assembly, 120 VAC, 60 Hz	R201902	R201902	R201902
	User's Manual	Visit www.irritrol.com to download		
	Quick Reference Card	Visit www.irritrol.com to download		

CONTROLLERS

KWIKDIAL® SERIES HYBRID

OUTDOOR MODELS:

- KD4-EXT
- KD6-EXT
- KD9-EXT
- KD12-EXT



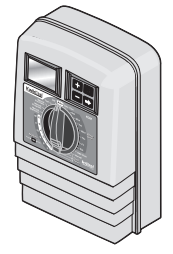
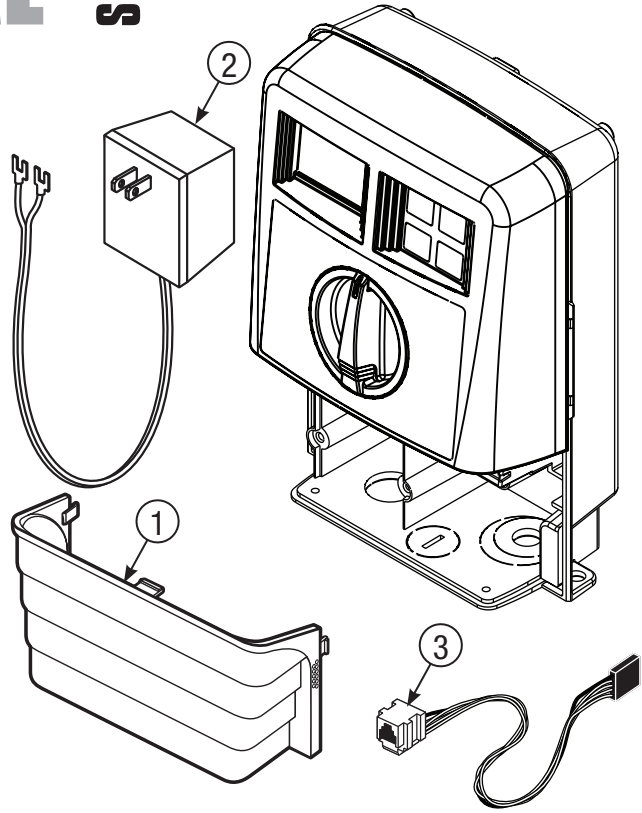
		KD4-EXT	KD6-EXT	KD9-EXT	KD12-EXT
REF.#	DESCRIPTION	PART NO.	PART NO.	PART NO.	PART NO.
1	Kit, Service, Panel, Lower	102-4973	102-4973	102-4973	102-4973
2	Kit, Service, XFMR, 115-120V	102-4975	102-4975	102-4975	102-4975
3	Kit, Service, Door	102-4974	102-4974	102-4974	102-4974
4	Cable Adapter for remote and CLIMATE LOGIC™	CMR-ADP	CMR-ADP	CMR-ADP	CMR-ADP
	User's Manual	Visit www.irritrol.com to download			
	Quick Reference Card	Visit www.irritrol.com to download			

CONTROLLERS

KWIKDIAL® SERIES HYBRID

INDOOR MODELS:

- KD4-INT
- KD6-INT
- KD9-INT
- KD12-INT



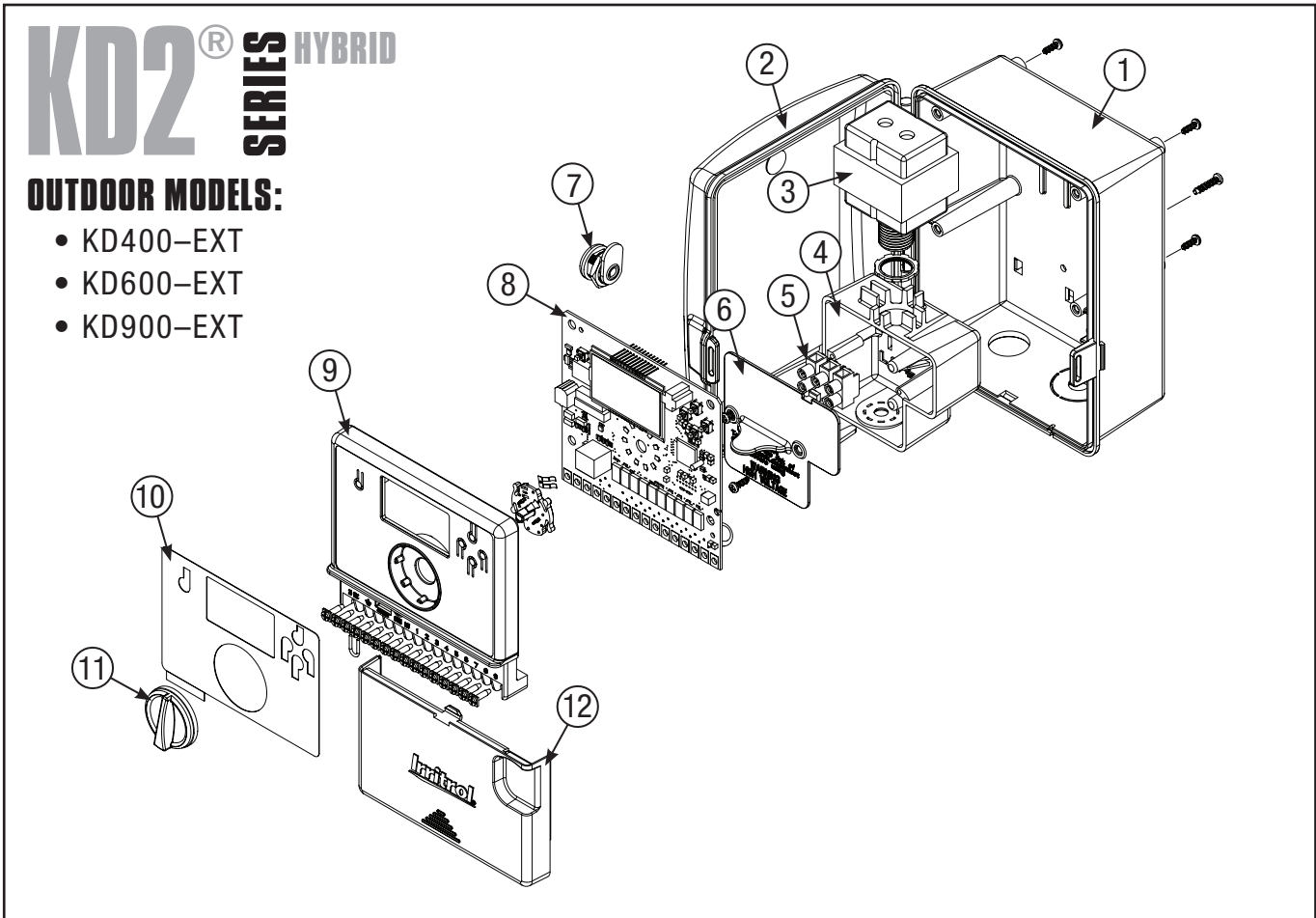
		KD4-INT	KD6-INT	KD9-INT	KD12-INT
REF.#	DESCRIPTION	PART NO.	PART NO.	PART NO.	PART NO.
1	Kit, Service, Panel, Lower	102-4973	102-4973	102-4973	102-4973
2	Kit, Service, XFMR, Plug-in	102-4976	102-4976	102-4976	102-4976
3	Cable Adapter for remote and CLIMATE LOGIC™	CMR-ADP	CMR-ADP	CMR-ADP	CMR-ADP
	User's Manual	Visit www.irritrol.com to download			
	Quick Reference Card	Visit www.irritrol.com to download			

CONTROLLERS

KD2[®] SERIES HYBRID

OUTDOOR MODELS:

- KD400-EXT
- KD600-EXT
- KD900-EXT



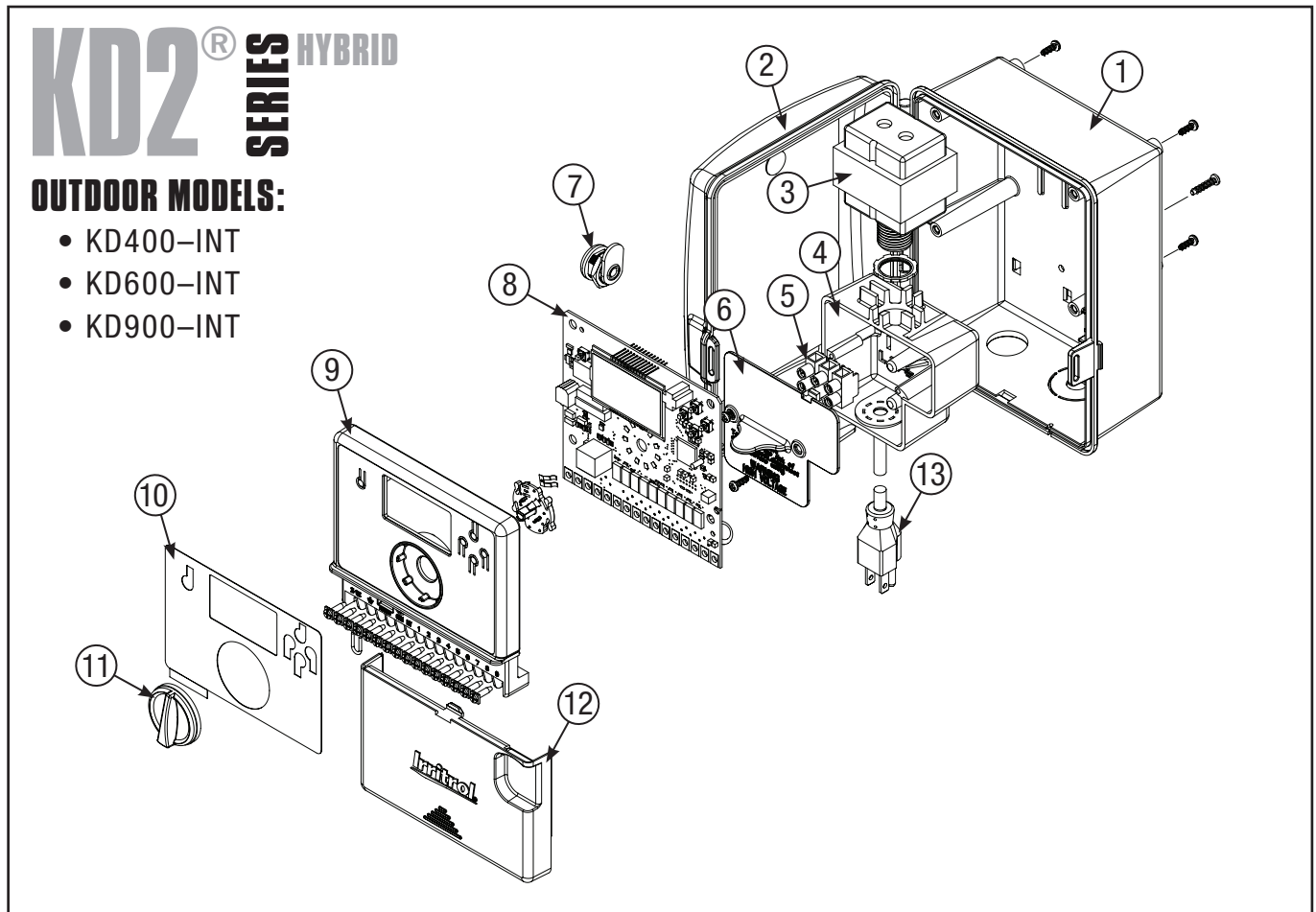
REF.#	DESCRIPTION	KD400-EXT PART NO.	KD600-EXT PART NO.	KD900-EXT PART NO.
1	Case, KDII, Outdoor	118-6199	118-6199	118-6199
2	Cover, KDII, Outdoor	118-6200	118-6200	118-6200
3	Transformer, 30VA, 120VAC	118-2858	118-2858	118-2858
3	Transformer, 30VA, 240VAC	363-6873	363-6873	363-6873
4	Case, Transformer, KDII	118-6207	118-6207	118-6207
5	Terminal Block, 3-Position	363-8650	363-8650	363-8650
6	Cover, Transformer, KDII	118-6208	118-6208	118-6208
7	Lock, Door Cover	363-8673	363-8673	363-8673
8	PCB, Assembly, KII	118-6258	118-6257	118-6217
9	Timing Mechanism, Upper	118-6201	118-6201	118-6201
10	Overlay, Timing Mechanism	118-6245	118-6245	118-6245
11	Knob, KDII	118-6203	118-6203	118-6203
12	Timing Mechanism, Lower	118-6202	118-6202	118-6202

CONTROLLERS

KD2[®] SERIES HYBRID

OUTDOOR MODELS:

- KD400-INT
- KD600-INT
- KD900-INT



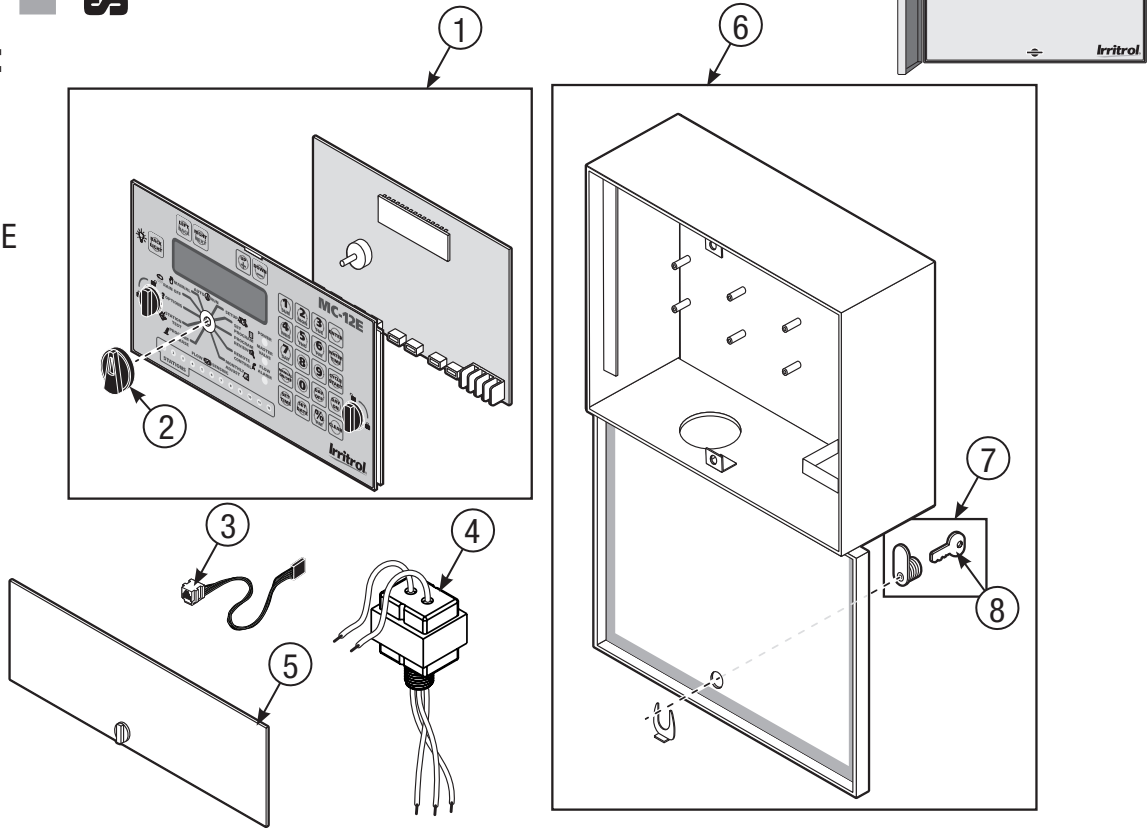
REF.#	DESCRIPTION	KD400-INT PART NO.	KD600-INT PART NO.	KD900-INT PART NO.
1	Case, KDII, Outdoor	118-6240	118-6240	118-6240
2	Cover, KDII, Outdoor	118-6241	118-6241	118-6241
3	Transformer, 30VA, 120VAC	118-2858	118-2858	118-2858
3	Transformer, 30VA, 240VAC	363-6873	363-6873	363-6873
4	Case, Transformer, KDII	118-6207	118-6207	118-6207
5	Terminal Block, 3-Position	363-8650	363-8650	363-8650
6	Cover, Transformer, KDII	118-6208	118-6208	118-6208
7	Lock, Door Cover	363-8673	363-8673	363-8673
8	PCB, Assembly, KII	118-6258	118-6257	118-6217
9	Timing Mechanism, Upper	118-6201	118-6201	118-6201
10	Overlay, Timing Mechanism	118-6245	118-6245	118-6245
11	Knob, KDII	118-6203	118-6203	118-6203
12	Timing Mechanism, Lower	118-6202	118-6202	118-6202
13	Power Cord, U.S./Can, 18AWG	363-6827	363-6827	363-6827
13	Power Cord, Australia	364-1162	364-1162	364-1162

CONTROLLERS

MC-E SERIES SOLID STATE

MODEL NO.:

- MC-4E
- MC-6E
- MC-8E
- MC-12E



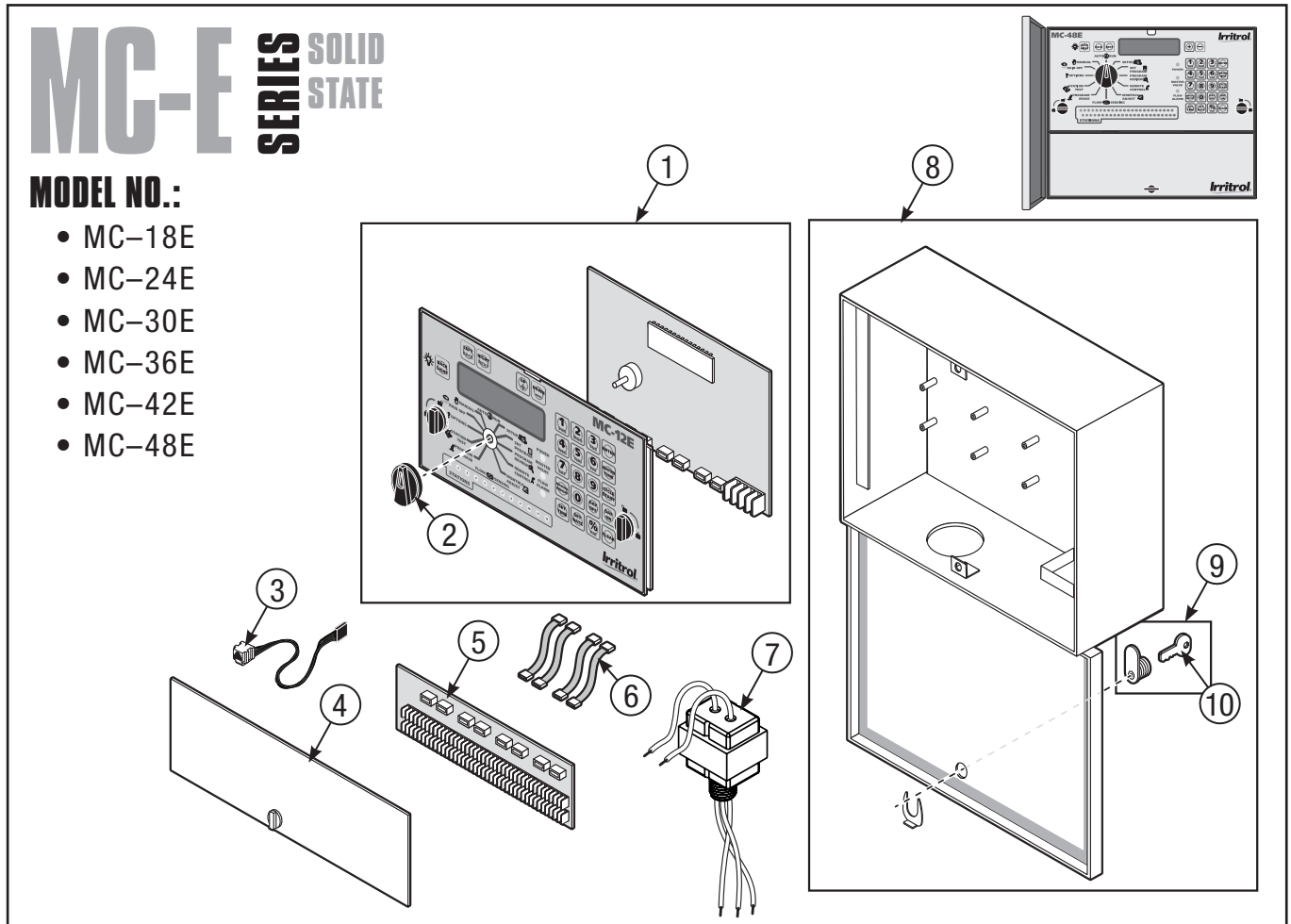
REF.#	DESCRIPTION	MC-4E PART NO.	MC-6E PART NO.	MC-8E PART NO.	MC-12E PART NO.
1	Complete Panel Assembly	MC-4E-PAN	MC-6E-PAN	MC-8E-PAN	MC-12E-PAN
2	Select Knob, MC-E	102-4865	102-4865	102-4865	102-4865
3	Cable Adapter for Remote & CLIMATE LOGIC™	CMR-ADP	CMR-ADP	CMR-ADP	CMR-ADP
4	Transformer Assy., 120 VAC, 60 Hz	R615901	R615901	R615901	R615901
4	Transformer Assy., 230 VAC, 50 Hz, ROHS	102-5804C	102-5804C	102-5804C	102-5804C
5	Access Panel	Included with Panel Assembly (See Ref.#1)			
6	Cabinet Assembly, 10 inch	R689601	R689601	R689601	R689601
7	Key and Lock Assembly	R671101	R671101	R671101	R671101
8	Key Only (HL238)	683503	683503	683503	683503
	User's Manual	Visit www.irritrol.com to download			
	Quick Reference Card	Visit www.irritrol.com to download			

CONTROLLERS

MC-E SERIES SOLID STATE

MODEL NO.:

- MC-18E
- MC-24E
- MC-30E
- MC-36E
- MC-42E
- MC-48E



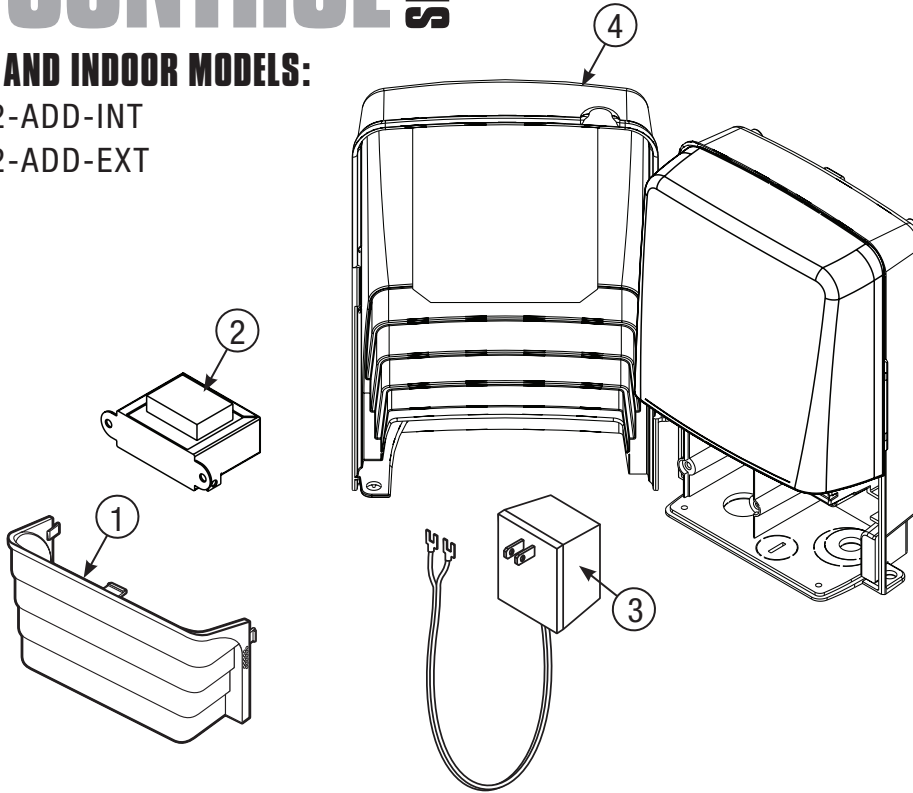
REF.#	DESCRIPTION	MC-18E PART NO.	MC-24E PART NO.	MC-30E PART NO.	MC-36E PART NO.	MC-42E PART NO.	MC-48E PART NO.
1	Complete Panel Assembly	MC-18E-PAN	MC-24E-PAN	MC-30E-PAN	MC-36E-PAN	MC-42E-PAN	MC-48E-PAN
2	Select Knob, MC-E	102-4865	102-4865	102-4865	102-4865	102-4865	102-4865
3	Cable Adapter for Remote and CLIMATE LOGIC™	CMR-ADP	CMR-ADP	CMR-ADP	CMR-ADP	CMR-ADP	CMR-ADP
4	Access Panel	Included with Panel Assembly (See Ref.#1)					
5	Terminal Board	102-6579	102-6578	102-6577	102-6576	102-6575	102-6574
6	Header Cable (requires 4 cables)	R636901(1pk)	R636901(2pk)	R636901(2pk)	R636901(2pk)	R636901(2pk)	R636901(3pk)
7	Transformer Assy., 120 VAC, 60 Hz	R615901	R615901	R615901	R615901	R615901	R615901
7	Transformer Assy., 230 VAC, 50 Hz, ROHS	102-5804C	102-5804C	102-5804C	102-5804C	102-5804C	102-5804C
8	Cabinet Assembly, 14 inch	Contact Controller Repair Department					
9	Key and Lock Assembly	R671101	R671101	R671101	R671101	R671101	R671101
10	Key Only (HL238)	683503	683503	683503	683503	683503	683503
	User's Manual	Visit www.irritrol.com to download					
	Quick Reference Card	Visit www.irritrol.com to download					

CONTROLLERS

PC CONTROL SERIES COMPUTER-PROGRAMMED

OUTDOOR AND INDOOR MODELS:

- PC-12-ADD-INT
- PC-12-ADD-EXT



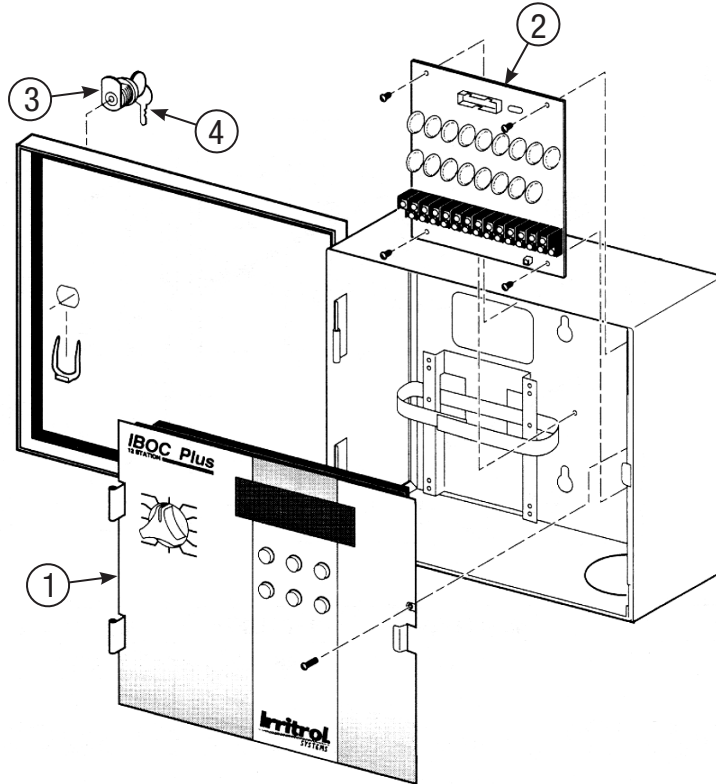
REF.#	DESCRIPTION	PC-12-ADD-INT PART NO.	PC-12-ADD-EXT PART NO.
1	Kit, Service Panel, Lower	102-4973	102-4973
2	External Transformer, 115-120V (Outdoor Models)	-----	102-4788
3	Internal Transformer, 115-120V (Indoor Models)	363-4574	-----
4	Kit, Service Door	-----	102-4974
	User's Guide	Visit www.irritrol.com to download	
	Quick Reference Card	Visit www.irritrol.com to download	

CONTROLLERS

IBOC® PLUS SERIES HYBRID

MODEL NO.:

- IBOC4-PLUS
- IBOC8-PLUS
- IBOC12-PLUS



REF.#	DESCRIPTION	IBOC4 PLUS PART NO.	IBOC8 PLUS PART NO.	IBOC12 PLUS PART NO.
1	Front Panel Assembly	89-9554	89-9553	89-9386
2	Terminal PCB Assembly	89-9556	89-9555	89-9402
3	Lock Assembly, Irritrol	R671101	R671101	R671101
4	Keys w/ Ring (HL238)	683503	683503	683503
	User's Manual	Visit www.irritrol.com to download		
	Quick Reference Card	Visit www.irritrol.com to download		

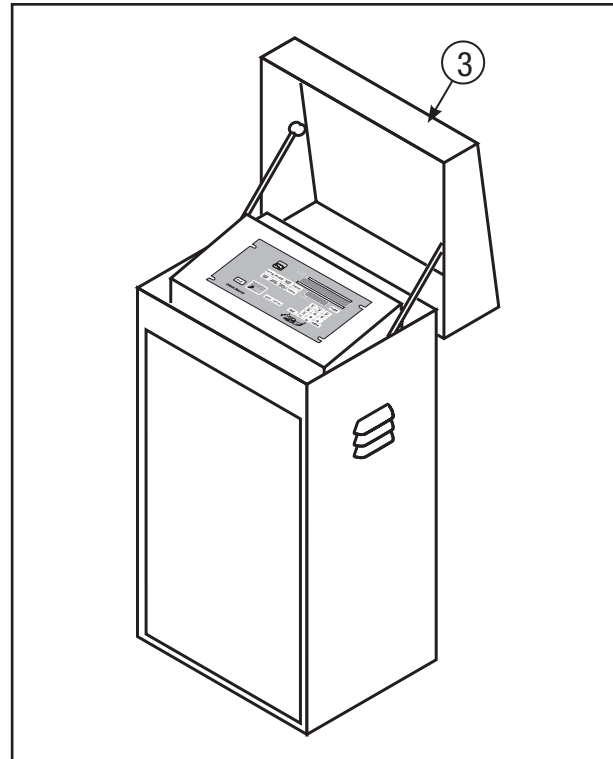
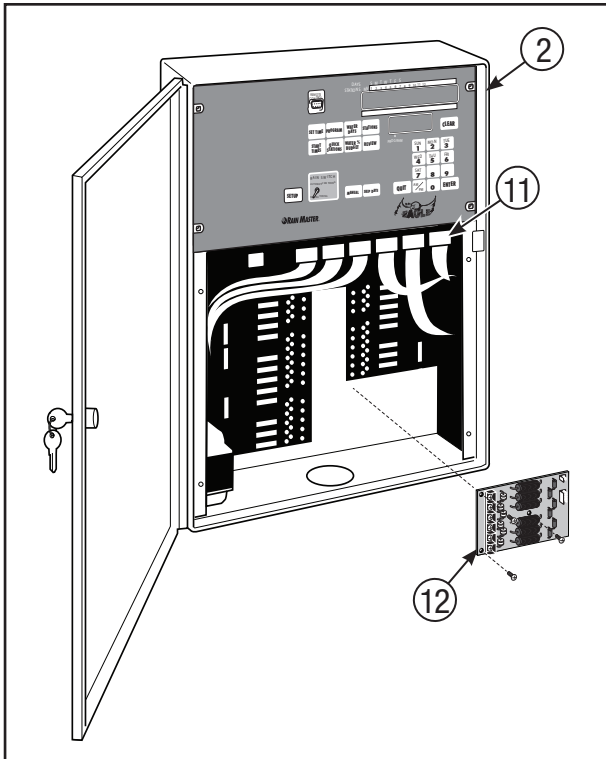
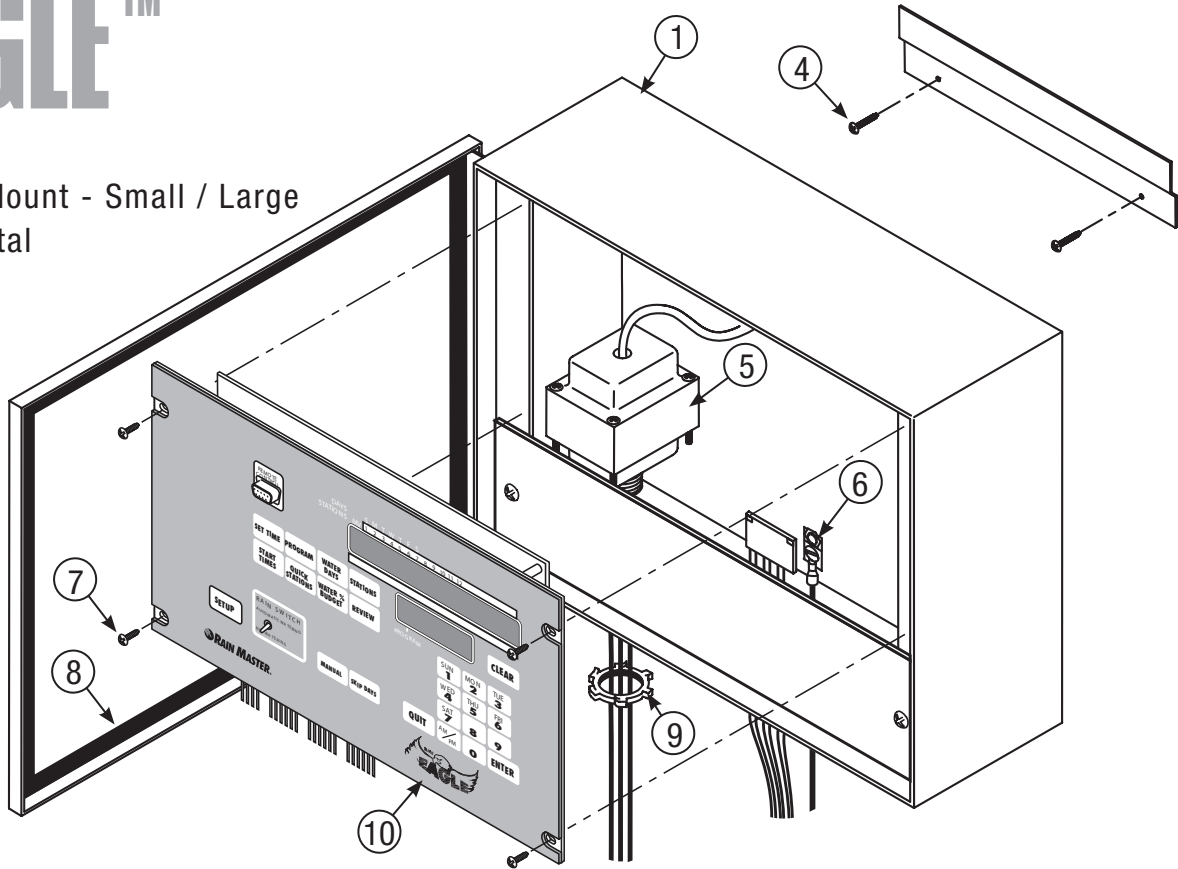
Please note: Use one of the following batteries – Energizer #521 or Duracell MN918

RAIN MASTER CONTROLLERS

EAGLE™

MODELS:

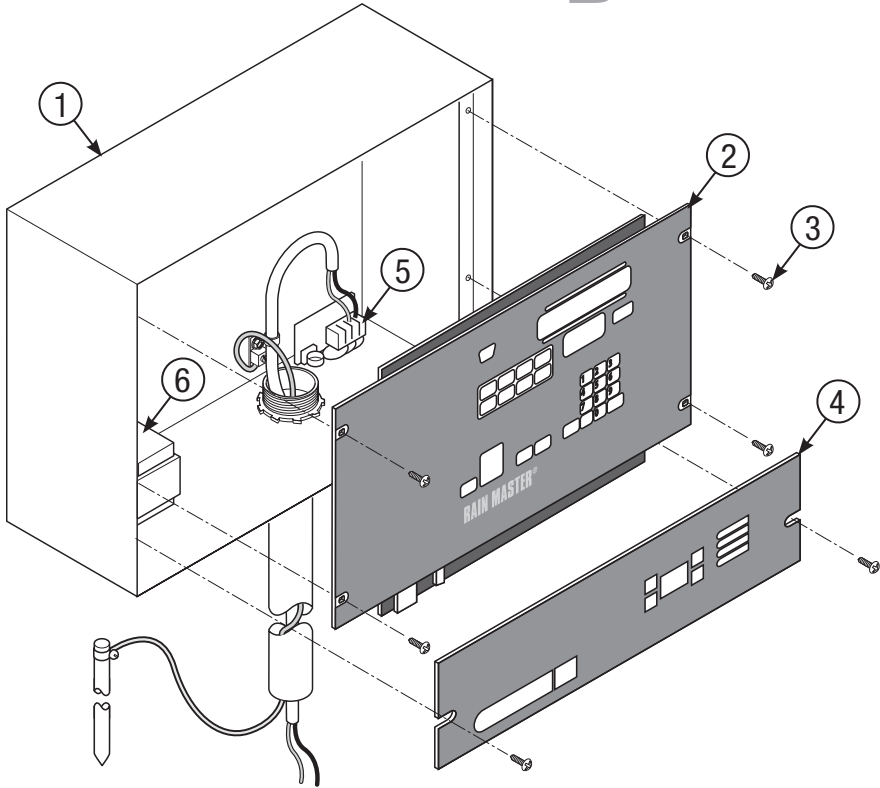
- Wall Mount - Small / Large
- Pedestal



REF.#	DESCRIPTION	WALL MOUNT	PEDESTAL
		PART NO.	PART NO.
1	Enclosure, Wall Mount, Small, Painted, SE/EG	020-0133	N/A
2	Enclosure, Wall Mount, Large, Painted	020-0035	N/A
2	Enclosure, Wall Mount, Large, Stainless Steel	020-0078	N/A
3	Rain Master Security Enclosure, Stainless Steel Pedestal, 14-Gauge	N/A	020-0340
4	Mounting Screw, Wall Mount Bracket	511-0003	N/A
5	Transformer Assembly / Power Box	XFMR-E (Small WM)	800-0105 (Ped)
5	Transformer Assembly / Power Box	XFMR-ETRANS (Large WM)	800-0105 (Ped)
6	Ground Lug, Solderless, #6	515-0026	515-0026
7	Screw, Panel	510-0001	510-0001
8	Gasket, RME, RM	010-0010	N/A
9	Lock Nut, Transformer	520-0003	N/A
10	Control Panel, Eagle, 6-Station	RME6EG-RP	RME6EG-RP
10	Control Panel, Eagle, 12-Station	RME12EG-RP	RME12EG-RP
10	Control Panel, Eagle, 18-Station	RME18EG-RP	RME18EG-RP
10	Control Panel, Eagle, 24-Station	RME24EG-RP	RME24EG-RP
10	Control Panel, Eagle, 28-Station	RME28EG-RP	RME28EG-RP
10	Control Panel, Eagle, 32-Station	RME32EG-RP	RME32EG-RP
11	Output Board Terminal Cables, Station 1-6, Red	415-0070	415-0350
11	Output Board Terminal Cables, Station 7-12, Orange	415-0071	415-0351
11	Output Board Terminal Cables, Station 13-18, Yellow	415-0072	415-0352
11	Output Board Terminal Cables, Station 19-24, Green	415-0073	415-0353
11	Output Board Terminal Cables, Station 25-30, Blue	415-0074	415-0354
11	Output Board Terminal Cables, Station 31-36, Violet	415-0075	415-0355
11	Output Board Terminal Cables, Power / Master Valve, 6 mm, Black	415-0076	415-0357
12	6-Station PCB Output Board w/o Transient (No Screws)	118-0210	118-0210
12	6-Station PCB Output Board w/ Transient (No Screws)	118-0209	118-0209

RAIN MASTER CONTROLLERS

TWICE™ 2-WIRE (Eagle)



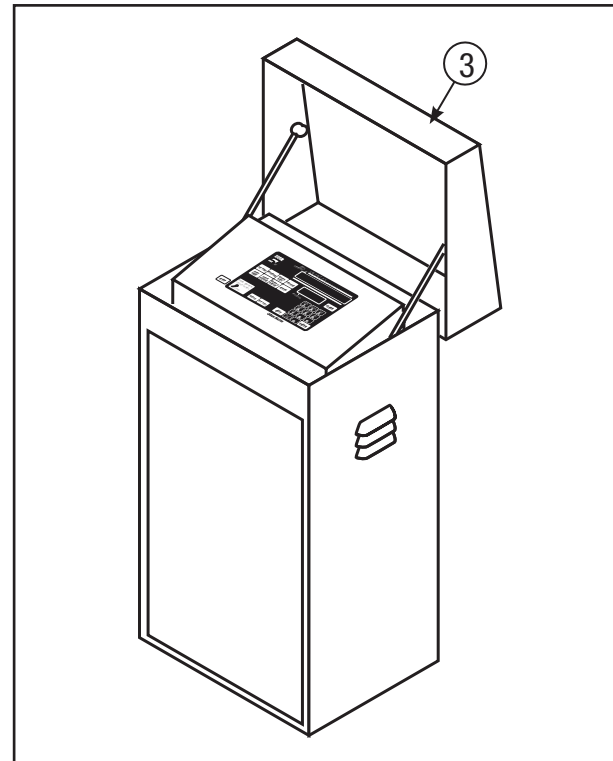
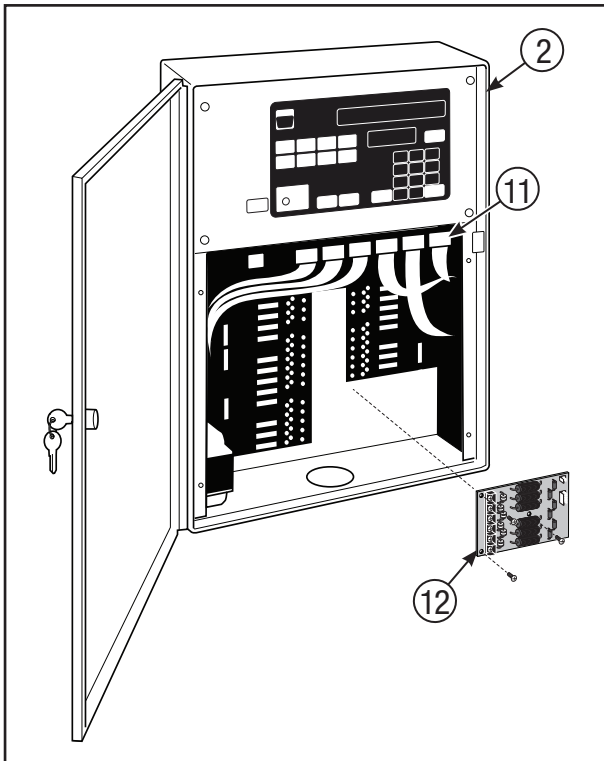
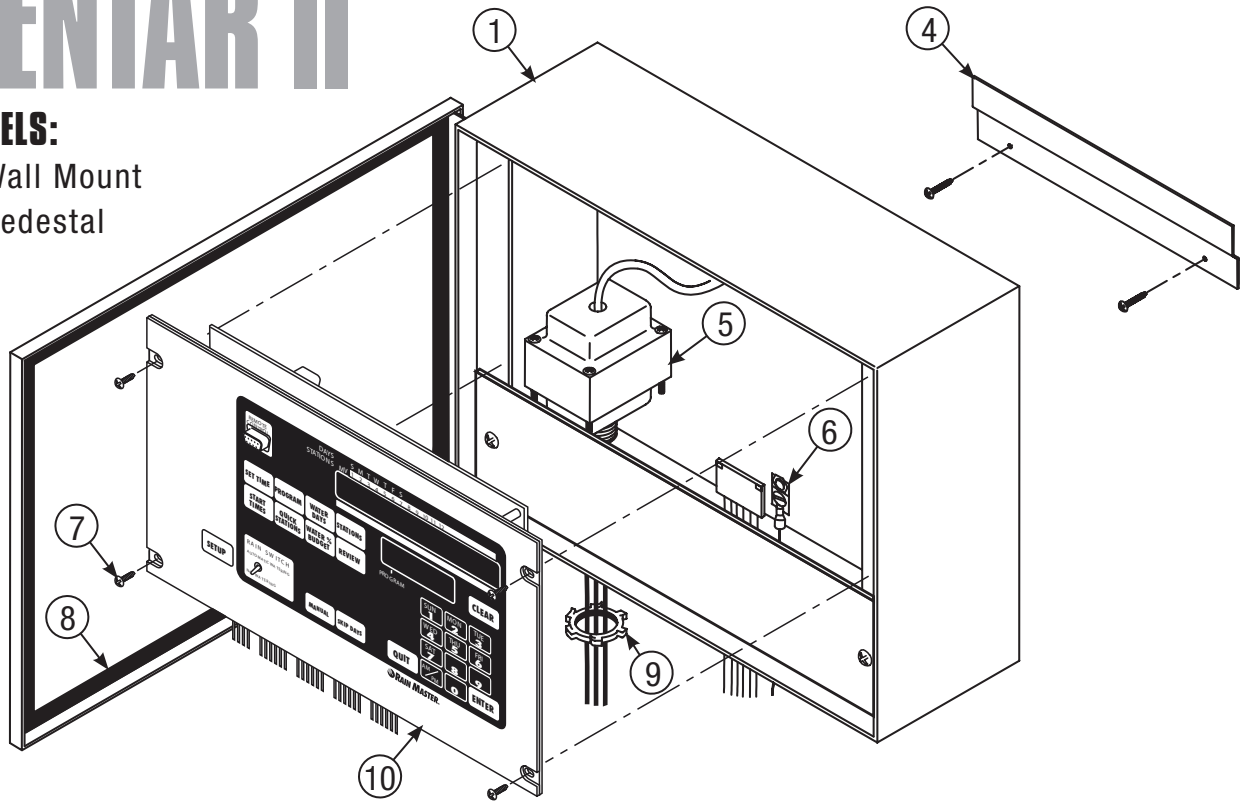
		TWICE 2-WIRE
REF.#	DESCRIPTION	PART NO.
1	Enclosure, Wall Mount, TWICE 2-Wire	020-0133
2	Control Panel, TWICE 2-Wire	PCTW-36EG
3	Mounting Screw, Panels	510-0001
4	TWICE 2-Wire Interface Panel	TW-INTERFACE
5	Terminal Board, Surge (For 2-Wire Path)	PCTW-SURGE
6	Transformer, Power Supply	XFMR-ETRANS

RAIN MASTER CONTROLLERS

SENTAR II™

MODELS:

- Wall Mount
- Pedestal



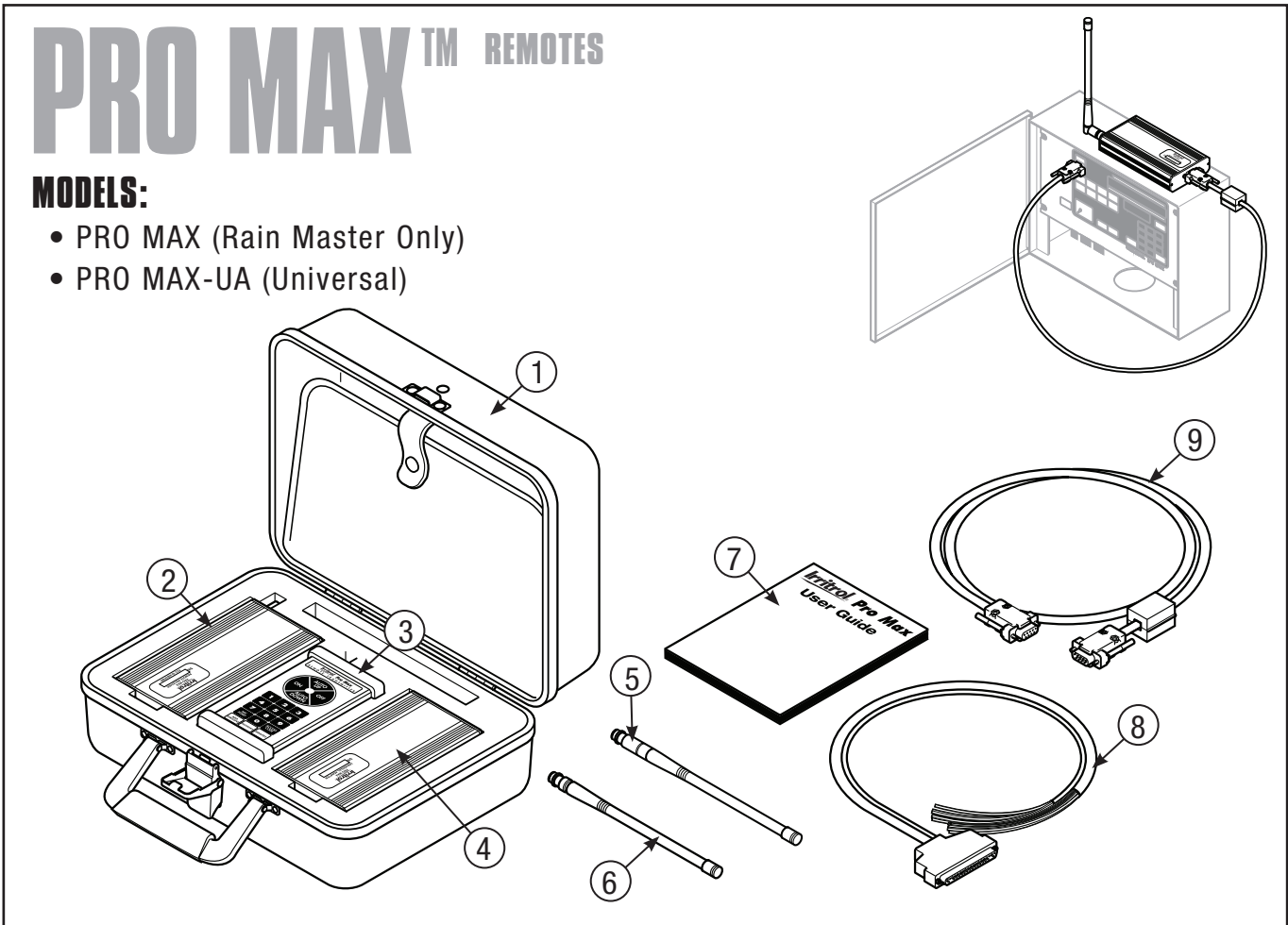
REF.#	DESCRIPTION	WALL MOUNT	PEDESTAL
		PART NO.	PART NO.
1	Enclosure, Wall Mount, Small, Painted, SE/EG	020-0133	N/A
2	Enclosure, Wall Mount, Large, Painted	020-0035	N/A
2	Enclosure, Wall Mount, Large, Stainless Steel	020-0078	N/A
3	Rain Master Security Enclosure, Stainless Steel Pedestal, 14-Gauge	N/A	020-0340
4	Mounting Screw, Wall Mount Bracket	511-0003	N/A
5	Transformer Assembly	XFMR-E (Small WM)	800-0105 (Ped)
5	Transformer Assembly	XFMR-ETRANS (Large WM)	800-0105 (Ped)
6	Ground Lug, Solderless, #6	515-0026	515-0026
7	Screw, Panel	510-0001	510-0001
8	Gasket, RME, RM	010-0010	N/A
9	Lock Nut, Transformer	520-0003	N/A
10	Control Panel, Sentar II, 6-Station	RME6SE-RP	RME6SE-RP
10	Control Panel, Sentar II, 12-Station	RME12SE-RP	RME12SE-RP
10	Control Panel, Sentar II, 18-Station	RME18SE-RP	RME18SE-RP
10	Control Panel, Sentar II, 24-Station	RME24SE-RP	RME24SE-RP
10	Control Panel, Sentar II, 28-Station	RME28SE-RP	RME28SE-RP
10	Control Panel, Sentar II, 32-Station	RME32SE-RP	RME32SE-RP
11	Output Board Terminal Cables, Station 1-6, Red	415-0070	415-0070
11	Output Board Terminal Cables, Station 7-12, Orange	415-0071	415-0071
11	Output Board Terminal Cables, Station 13-18, Yellow	415-0072	415-0072
11	Output Board Terminal Cables, Station 19-24, Green	415-0073	415-0073
11	Output Board Terminal Cables, Station 25-30, Blue	415-0074	415-0074
11	Output Board Terminal Cables, Station 31-36, Violet	415-0075	415-0075
11	Output Board Terminal Cables, Power / Master Valve, 6 mm, Black	415-0076	415-0076
12	6-Station PCB Output Board w/o Transient (No Screws)	118-0210	118-0210
12	6-Station PCB Output Board w/ Transient (No Screws)	118-0209	118-0209

RAIN MASTER ACCESSORIES

PRO MAX™ REMOTES

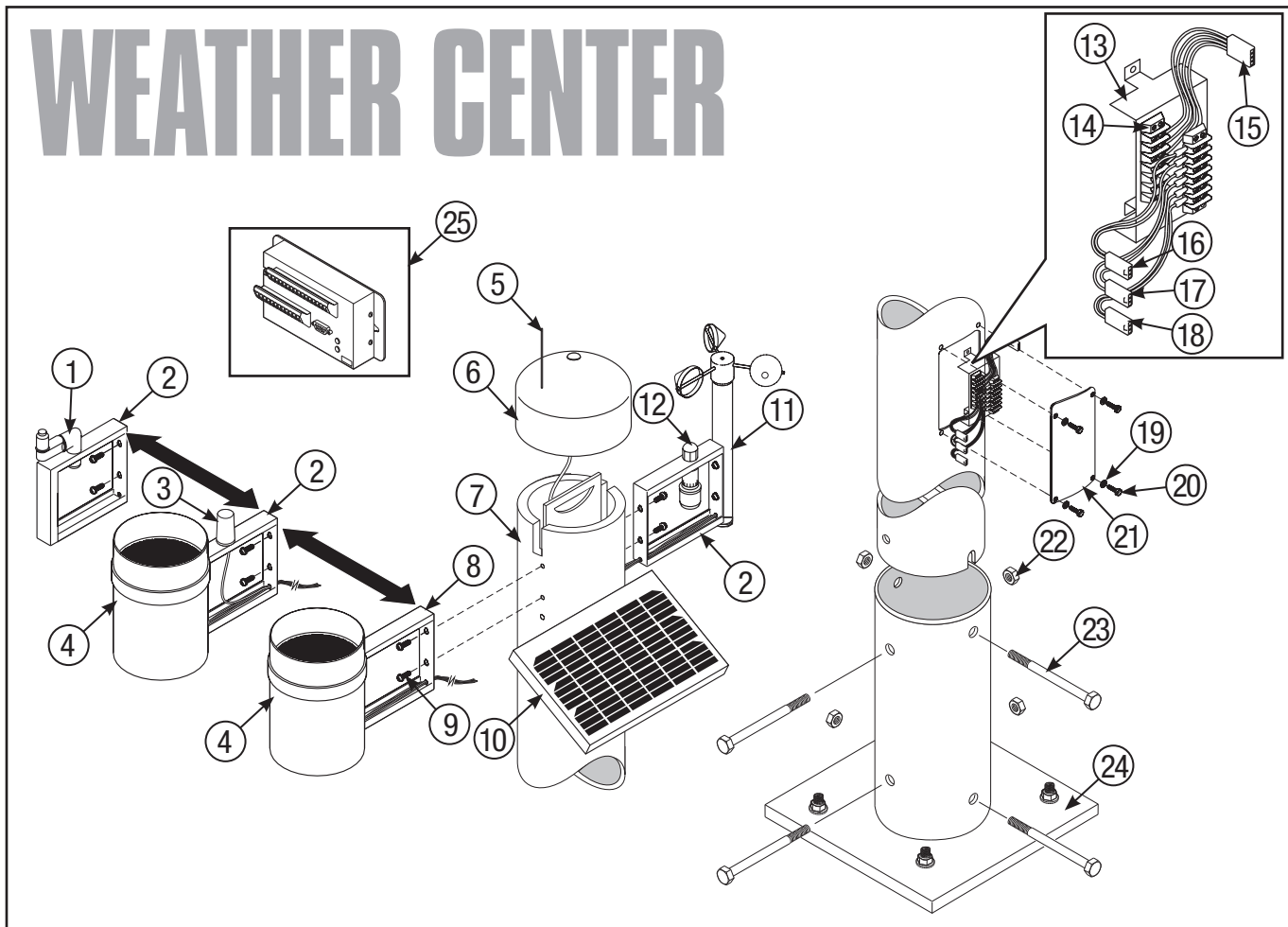
MODELS:

- PRO MAX (Rain Master Only)
- PRO MAX-UA (Universal)



REF.#	DESCRIPTION	PRO MAX PART NO.	PRO MAX-UA PART NO.
1	Remote Carrying Case	PM-CASE	PM-CASE
2	Remote Receiver	PM-RCVR	PM-RCVR
3	Remote Radio Transmitter	PM-XMTR	PM-XMTR
4	Universal Adapter	N/A	PM-UADAPT
5	Antenna, Hinged, BNC	PM-RCVR-ANT	PM-RCVR-ANT
6	Antenna, BNC	PM-XMTR-ANT	PM-XMTR-ANT
7	Pro Max User Manual	500055	500055
8	30" Permanent Connector, 12-Station	N/A	12PC
8	30" Permanent Connector, 24-Station	N/A	24PC
8	30" Permanent Connector, 32-Station	N/A	32PC
8	30" Alligator Connector, 32-Station	N/A	32TC
9	36" Remote Cable	PM-SER99	PM-SER99
	Pro Max Low Profile Chassis Antenna	PM-PM-ANT3	PM-PM-ANT3
	Antenna Bracket for Pedestal Enclosure	PM-ANT2-BRKT	PM-ANT2-BRKT
	Chassis Mount Access Door	CMAD	CMAD

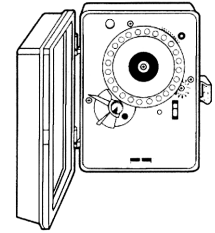
RAIN MASTER ACCESSORIES



WEATHER CENTER		
REF.#	DESCRIPTION	PART NO.
1	Rain Switch	650-0012
2	Bracket, Extension, w/ Antenna/Sensor Access Hole	020-0115
3	External Antenna	EG-ANT-LP
4	Rain Gauge Tipping Bucket	650-0002
5	Bird Wire	440-2018
6	Sensor, Solar Radiation	650-0011
7	Weather Station Tube, Round	020-0104
8	Bracket, Extension, w/o Antenna/Sensor Access Hole	020-0116
9	Bolt, Hex, 1/4"-20 x 3/4", SS	512-0035
10	Solar Panel	650-0011
11	Anemometer Assy. (Includes item #11)	650-0000
12	Sensor, Relative Humidity/Temperature	650-0010
13	Bracket (Only)	020-0107
14	Terminal Block, 6-Position	415-0106
15	Cable Assy., Humidity/Temperature Sensor	417-0057
16	Cable Assy., Wind Sensor	417-0061
17	Cable Assy., Rain Sensor	417-0056
18	Cable Assy., Solar Sensor	417-0055
19	Washer, 1/4" ID, SS	515-0038
20	Screw, 1/4"-20 x 3/4", OW	509-0001
21	Access Door, WS	020-0105
22	Nut, Nylon Lock, 3/8"-16, SS	520-0012
23	Bolt, Hex, 3/8"-16 x 5 1/2", SS	512-0004
24	Base, Weather Center	020-0108
25	Weather Computer	WEATHER-CMPTR

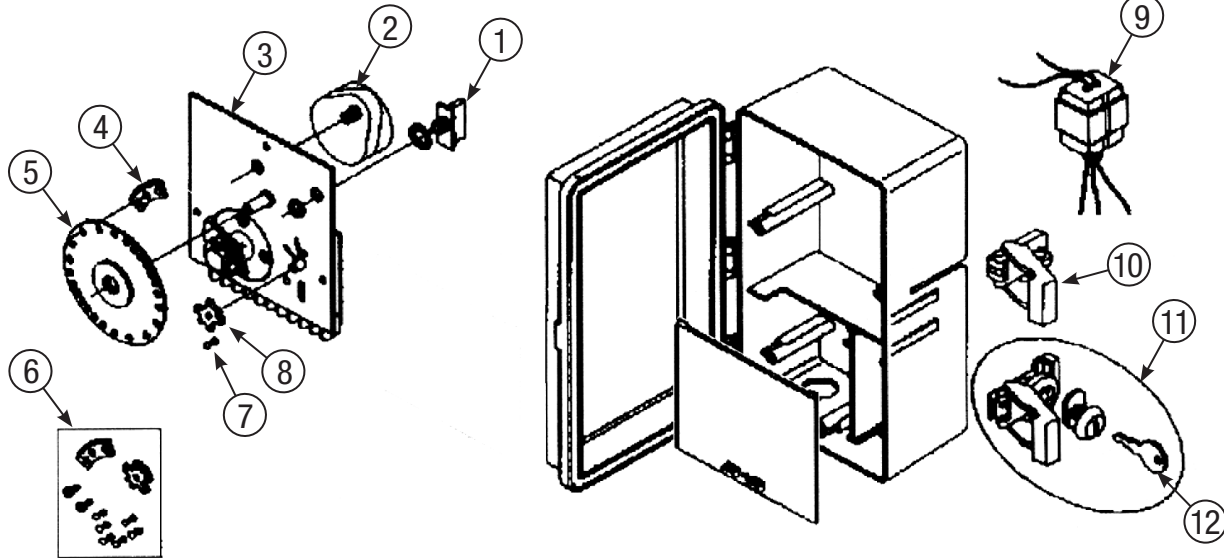
CONTROLLERS (DISCONTINUED)

304/306 SERIES ELECTRO-MECHANICAL



OUTDOOR MODELS:

- 304PR
- 306PR



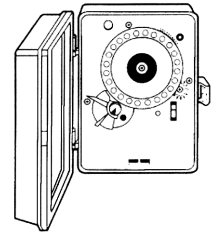
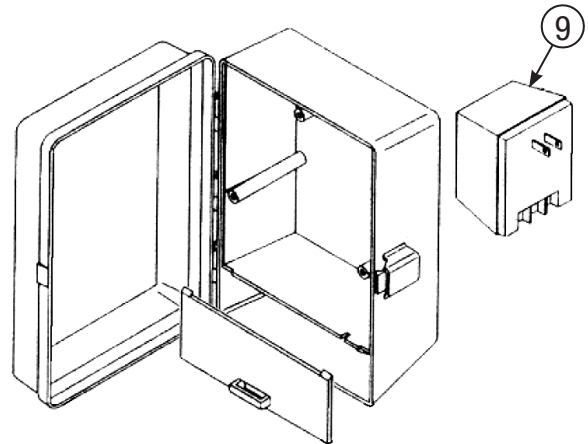
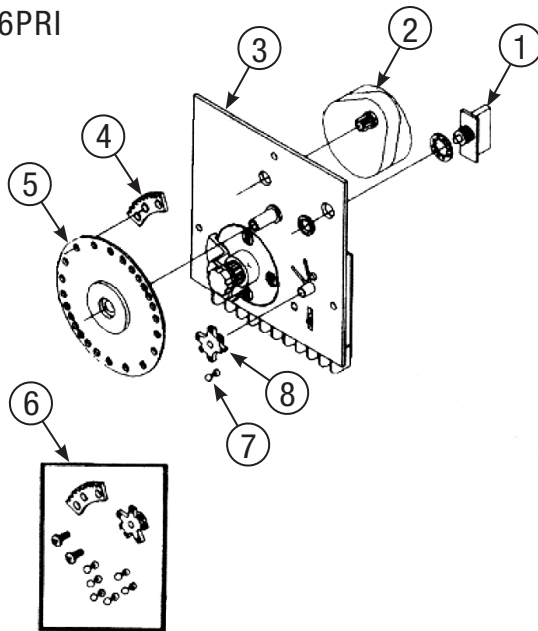
REF.#	DESCRIPTION	304PR PART NO.	306PR PART NO.
1	Circuit Breaker	Contact Controller Repair Department	
2	Timing Motor, 60 Hz	R406-3	R406-3
3	Panel/Switch/PCB	Contact Controller Repair Department	
4	Tripper Gear	R402-59	R402-59
5	Dial/Ratchet Assembly	R205702	R205702
6	Accessory Pack (Skip-a-Day)	R208701	R208701
7	Skip-a-Day Pins	R729801	R729801
8	Skip Wheel, 6-day	R402-94	R402-94
8	Skip Wheel, 7-day	R402-95	R402-95
9	Transformer Assembly, 120 VAC, 60 Hz	R675302	R675302
9	Transformer Assembly, 220 VAC, 50 Hz	R363-2415	R363-2415
9	Transformer Assembly, 240 VAC, 50 Hz	R719102	R719102
10	Non-locking Latch Assembly	Contact Controller Repair Department	
11	Lock & Latch Assembly	R720801	R720801
12	Key Only (CH751)	683503	683503
	Door Label Instructions	Visit www.irritrol.com to download	
	Instruction Manual	Visit www.irritrol.com to download	

CONTROLLERS (DISCONTINUED)

304/306 SERIES ELECTRO-MECHANICAL

INDOOR MODELS:

- 304PRI
- 306PRI



REF.#	DESCRIPTION	304PRI PART NO.	306PRI PART NO.
1	Circuit Breaker	Contact Controller Repair Department	
2	Timing Motor, 60 Hz	R406-3	R406-3
3	Panel/Switch/PCB	Contact Controller Repair Department	
4	Tripper Gear	R402-59	R402-59
5	Dial/Ratchet Assembly	R205702	R205702
6	Accessory Pack (Skip-a-Day)	R208701	R208701
7	Skip-a-Day Pins	R729801	R729801
8	Skip Wheel, 6-day	R402-94	R402-94
8	Skip Wheel, 7-day	R402-95	R402-95
9	Transformer Assembly, 120 VAC, 60 Hz	R693201	R693201
	Door Label Instructions	Visit www.irritrol.com to download	
	Instruction Manual	Visit www.irritrol.com to download	

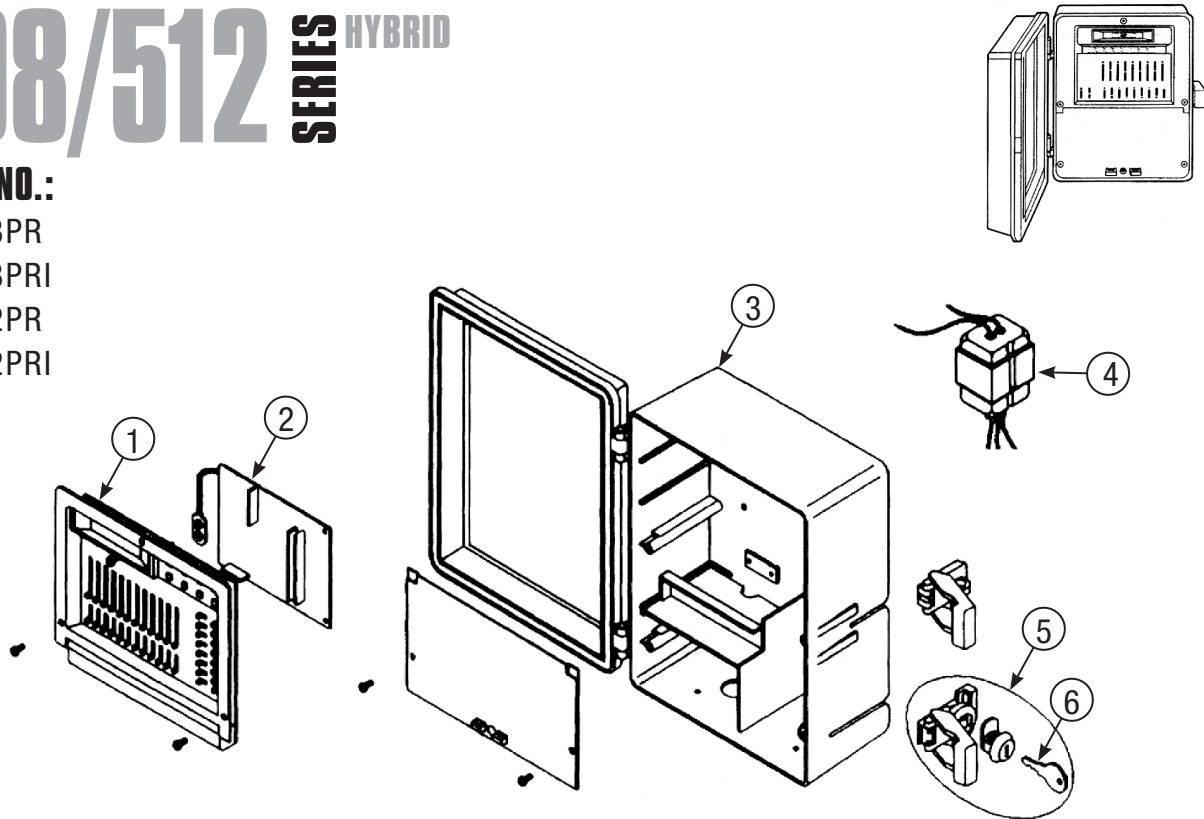
Notes:

CONTROLLERS (DISCONTINUED)

508/512 SERIES HYBRID

MODEL NO.:

- 508PR
- 508PRI
- 512PR
- 512PRI



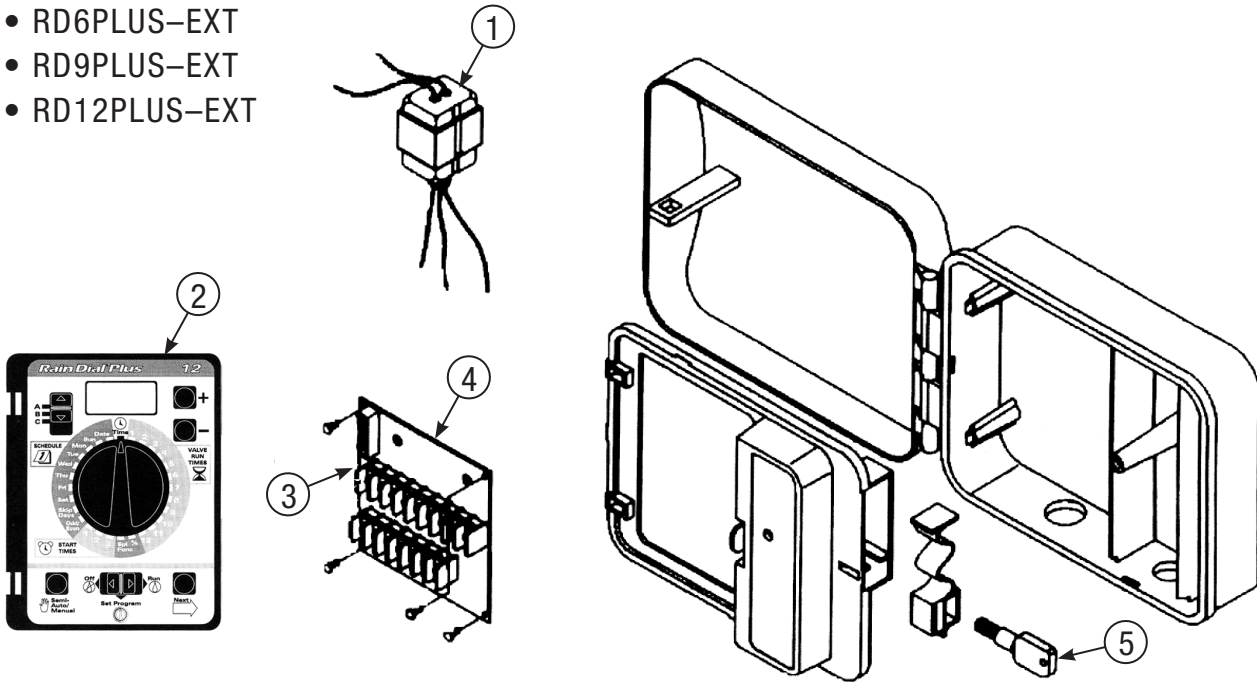
REF.#	DESCRIPTION	508PR / 512PR	508PRI / 512PRI
		PART NO.	PART NO.
1	Panel/Switch/PCB	Contact Controller Repair Department	
2	PCB Assembly	Contact Controller Repair Department	
3	Cabinet Assembly	Contact Controller Repair Department	
4	Transformer Assembly, 120 VAC, 60 Hz	Contact Controller Repair Department	
4	Transformer Assembly, 220 VAC, 50 Hz	Contact Controller Repair Department	
4	Transformer Assembly, 240 VAC, 50 Hz	Contact Controller Repair Department	
5	Lock & Latch Assembly	R720801	-----
6	Key Only (HL238)	683503	-----
	Door Label Instructions	Visit www.irritrol.com to download	
	Instruction Manual	Visit www.irritrol.com to download	

CONTROLLERS (DISCONTINUED)

RAIN DIAL® PLUS SERIES HYBRID

OUTDOOR MODELS:

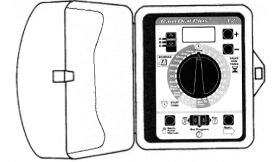
- RD6PLUS-EXT
- RD9PLUS-EXT
- RD12PLUS-EXT



REF.#	DESCRIPTION	RD6PLUS-EXT PART NO.	RD9PLUS-EXT PART NO.	RD12PLUS-EXT PART NO.
1	Transformer Assembly, 120 VAC, 60HZ	R675302	R675302	R675302
1	Transformer Assembly, 220 VAC, 50 Hz	R363-2415	R363-2415	R363-2415
1	Transformer Assembly, 240 VAC, 50 Hz	R719102	R719102	R719102
2	Module Assembly	RD-6 MOD-R	RD-9 MOD-R	RD-12 MOD-R
3	Fuse 2 amp SLO-BLO	363-8640	363-8640	363-8640
4	Terminal Board Assembly	102-3371	102-3371	102-3371
5	Key	R8969	R8969	R8969
	Instruction Manual	Visit www.irritrol.com to download		
	Quick Reference Card	Visit www.irritrol.com to download		

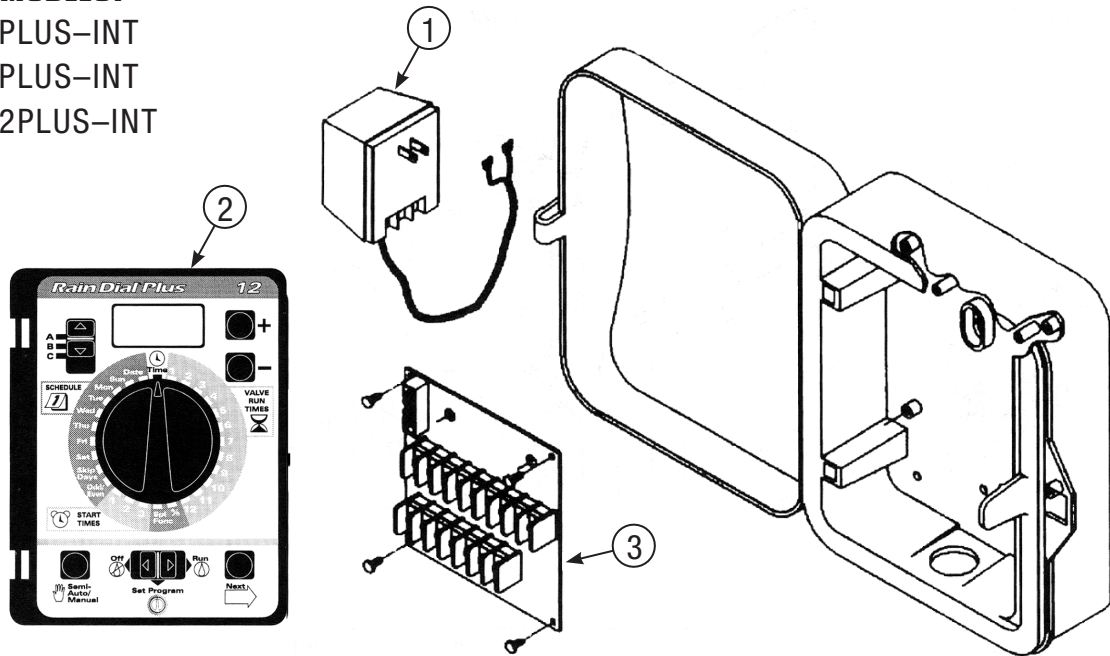
CONTROLLERS (DISCONTINUED)

RAIN DIAL® PLUS SERIES HYBRID



INDOOR MODELS:

- RD6PLUS-INT
- RD9PLUS-INT
- RD12PLUS-INT



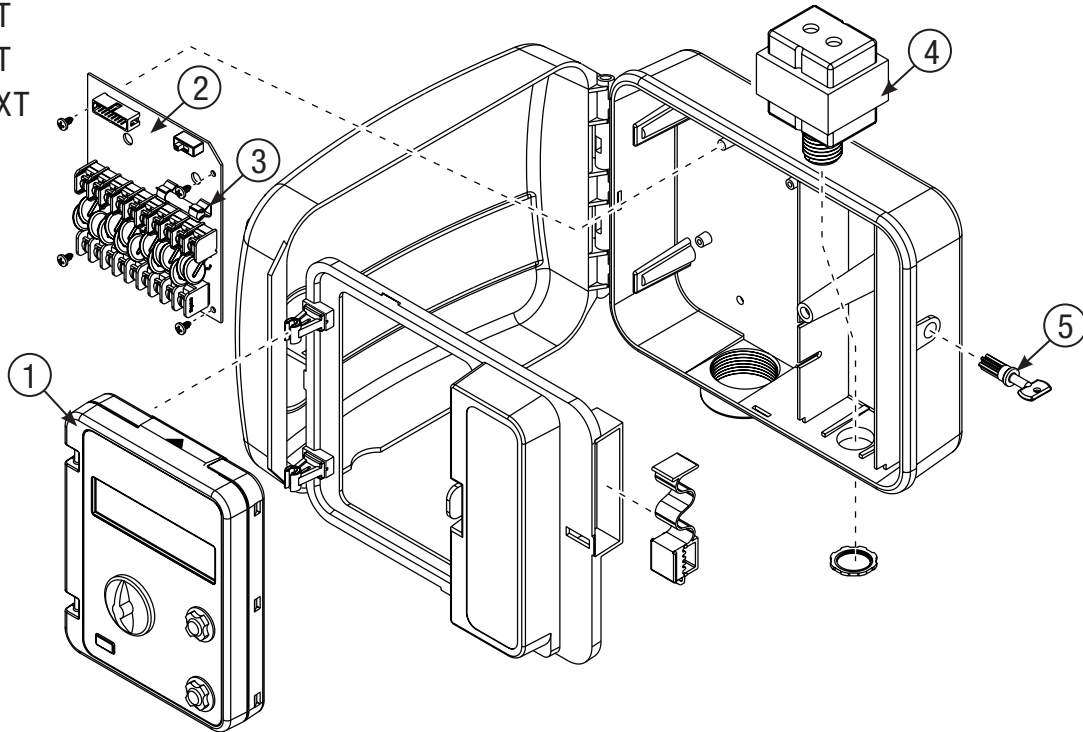
		RD6PLUS-INT	RD9PLUS-INT	RD12PLUS-INT
REF.#	DESCRIPTION	PART NO.	PART NO.	PART NO.
1	Transformer Assembly, 120 VAC, 60 Hz	R201902	R201902	R201902
2	Module Assembly	RD-6 MOD-R	RD-9 MOD-R	RD-12 MOD-R
3	Terminal Board Assembly	102-3371	102-3371	102-3371
	Instruction Manual	Visit www.irritrol.com to download		
	Quick Reference Card	Visit www.irritrol.com to download		

CONTROLLERS (DISCONTINUED)

SMART DIAL™ SERIES ET-BASED

OUTDOOR MODELS:

- SD600-EXT
- SD900-EXT
- SD1200-EXT



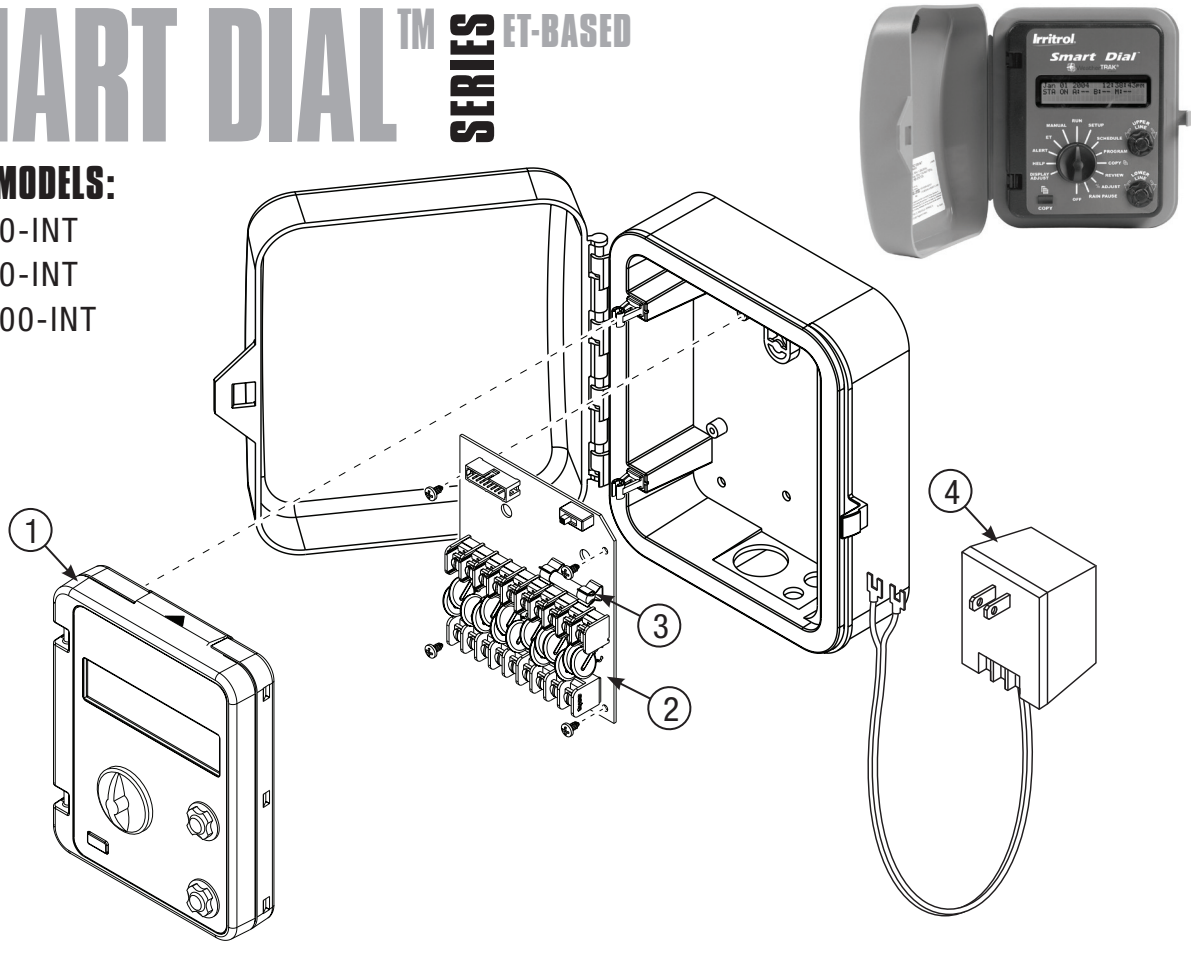
		SD600-EXT	SD900-EXT	SD1200-EXT
REF.#	DESCRIPTION	PART NO.	PART NO.	PART NO.
1	Module Assembly	SD600-MOD	SD900-MOD	SD1200-MOD
2	Terminal Board Assembly	102-3371	102-3371	102-3371
3	Fuse 2 amp SLO-BLO	363-8640	363-8640	363-8640
4	Transformer Assembly, 120 VAC, 60HZ	R675302	R675302	R675302
4	Transformer Assembly, 220 VAC, 50Hz/60Hz	R363-2415	R363-2415	R363-2415
5	Key	R8969	R8969	R8969
	Door Label Instructions	Visit www.irritrol.com to download		
	Instruction Manual	Visit www.irritrol.com to download		

CONTROLLERS (DISCONTINUED)

SMART DIAL™ SERIES ET-BASED

INDOOR MODELS:

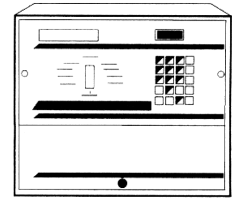
- SD600-INT
- SD900-INT
- SD1200-INT



REF.#	DESCRIPTION	SD600-INT PART NO.	SD900-INT PART NO.	SD1200-INT PART NO.
1	Module Assembly	SD600-MOD	SD900-MOD	SD1200-MOD
2	Terminal Board Assembly	102-3371	102-3371	102-3371
3	Fuse 2 amp SLO-BLO	363-8640	363-8640	363-8640
4	Transformer Assembly, 120 VAC, 60 Hz	R201902	R201902	R201902
	Instruction Manual	Visit www.irritrol.com to download		
	Door Label Instructions	Visit www.irritrol.com to download		

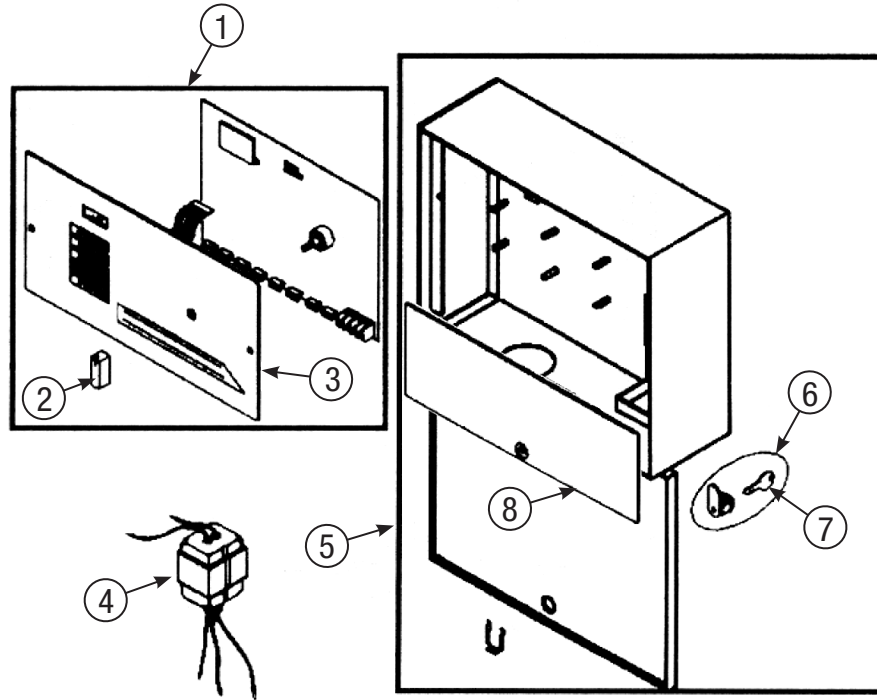
CONTROLLERS (DISCONTINUED)

MC PLUS SERIES SOLID STATE



MODEL NO.:

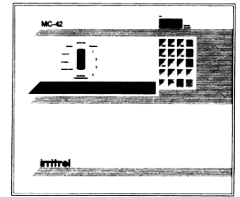
- MC-4 PLUS-B
- MC-6 PLUS-B
- MC-8 PLUS-B
- MC-12 PLUS-B



REF.#	DESCRIPTION	MC-4 PLUS-B PART NO.	MC-6 PLUS-B PART NO.	MC-8 PLUS-B PART NO.	MC-12 PLUS-B PART NO.
1	Complete Panel Assembly		Contact Controller Repair Department		
2	Select Knob, MC Plus		Contact Controller Repair Department		
3	Panel and Overlay	MC-4E-PAN	MC-6E-PAN	MC-8E-PAN	MC-12E-PAN
4	Transformer Assembly, 120 VAC, 60 Hz	R615901	R615901	R615901	R615901
4	Transformer Assembly, 230 VAC, 50 Hz, ROHS	102-5804C	102-5804C	102-5804C	102-5804C
5	Cabinet Assembly, 10 inch (Includes #6)	R689601	R689601	R689601	R689601
6	Key and Lock Assembly	R671101	R671101	R671101	R671101
7	Key Only (HL238)	683503	683503	683503	683503
8	Lower Access Panel Assembly		Contact Controller Repair Department		
	User's Manual		Visit www.irritrol.com to download		
	Quick Reference Card		Visit www.irritrol.com to download		

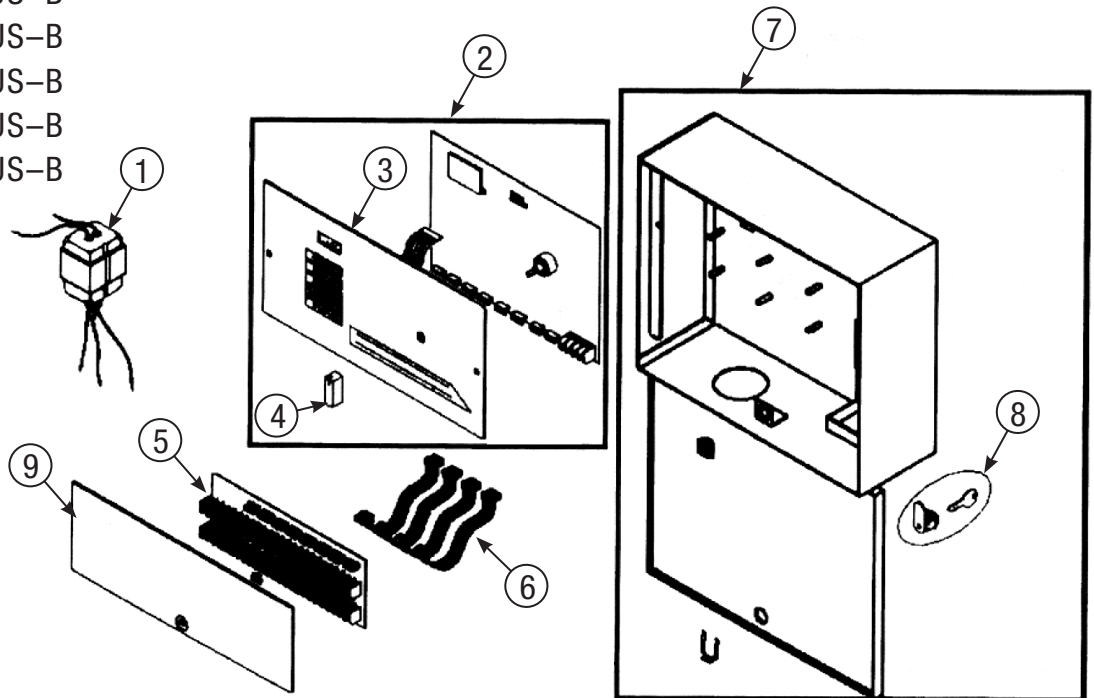
CONTROLLERS (DISCONTINUED)

MC PLUS SERIES SOLID STATE



MODEL NO.:

- MC-18 PLUS-B
- MC-24 PLUS-B
- MC-30 PLUS-B
- MC-36 PLUS-B
- MC-42 PLUS-B



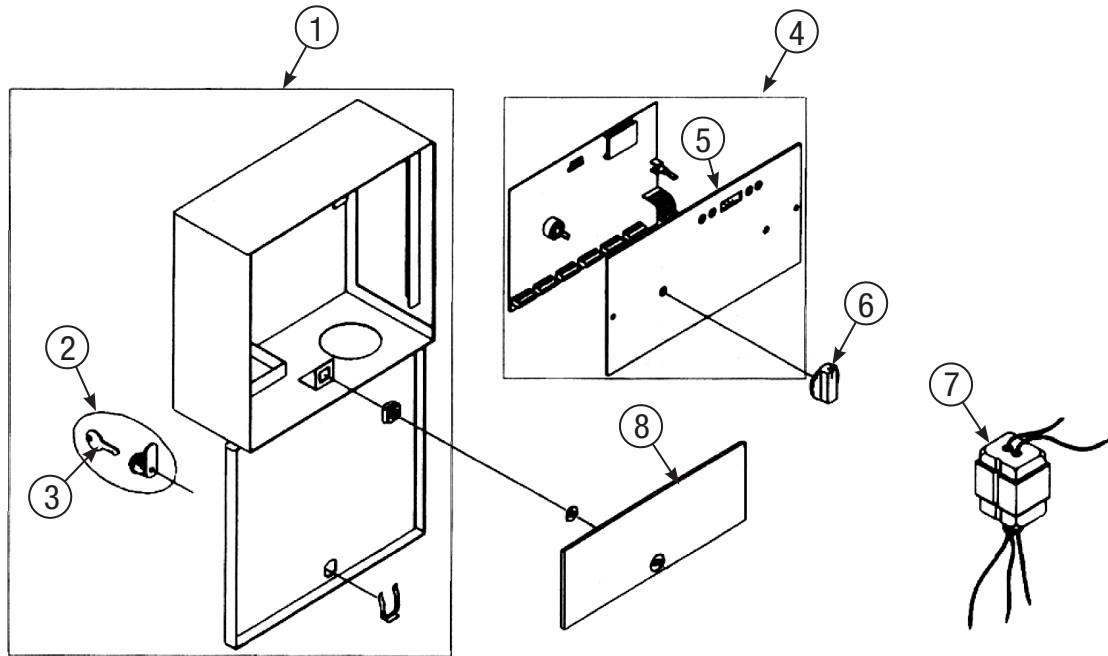
REF.#	DESCRIPTION	MC-18 PLUS-B PART NO.	MC-24 PLUS-B PART NO.	MC-30 PLUS-B PART NO.	MC-36 PLUS-B PART NO.	MC-42 PLUS-B PART NO.
1	Transformer Assembly, 120 VAC, 60 Hz	R615901	R615901	R615901	R615901	R615901
1	Transformer Assembly, 230 VAC, 50 Hz, ROHS	102-5804C	102-5804C	102-5804C	102-5804C	102-5804C
2	Complete Panel Assembly	Contact Controller Repair Department				
3	Panel and Overlay	MC-18E-PAN	MC-24E-PAN	MC-30E-PAN	MC-36E-PAN	MC-42E-PAN
4	Select Knob, MC Plus	Contact Controller Repair Department				
5	Terminal Board	102-6579	102-6578	102-6577	102-6576	102-6575
6	Header Cable (4 cables/Pack)	R636901 (1 pack)	R636901 (2 pack)	R636901 (2 pack)	R636901 (2 pack)	R636901 (2 pack)
7	Key and Lock Assembly	R671101	R671101	R671101	R671101	R671101
8	Key Only (HL238)	683503	683503	683503	683503	683503
9	Lower Access Panel Assembly	Contact Controller Repair Department				
	User's Manual	Visit www.irritrol.com to download				
	Quick Reference Card	Visit www.irritrol.com to download				

CONTROLLERS (DISCONTINUED)

DIAL SERIES SOLID STATE

MODEL NO.:

- Dial-5B
- Dial-7B
- Dial-11B
- Dial-14B
- Dial-16B



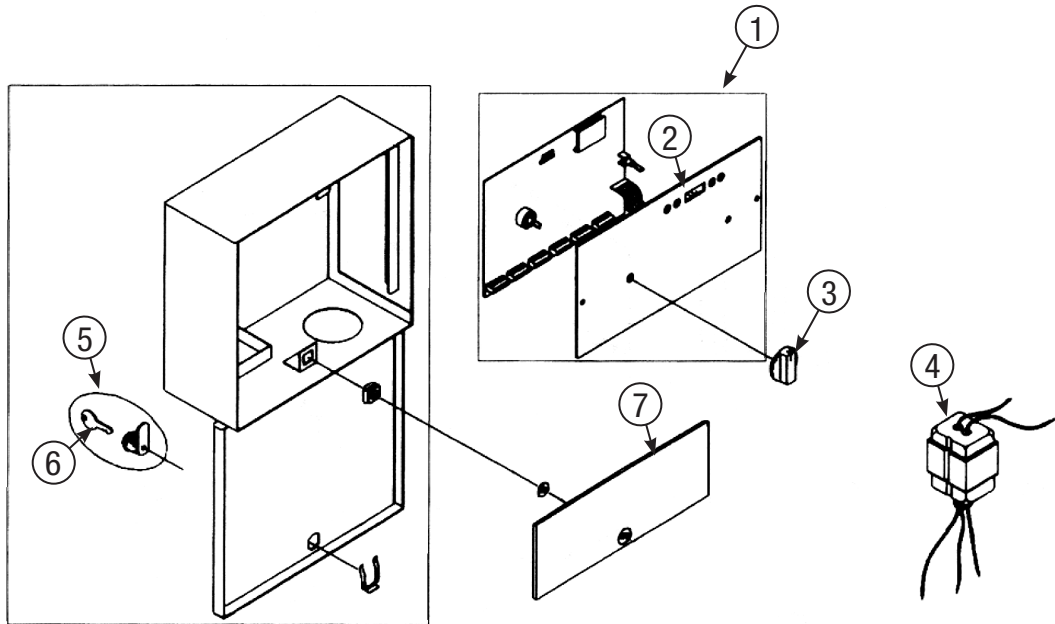
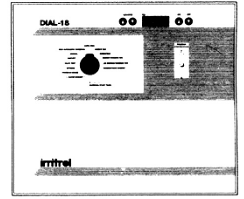
		DIAL-5B	DIAL-7B	DIAL-11B	DIAL-14B	DIAL-16B
REF.#	DESCRIPTION	PART NO.	PART NO.	PART NO.	PART NO.	PART NO.
1	Cabinet Assembly, 10 inch	R689601	R689601	R689601	R689601	R689601
2	Key and Lock Assembly	R671101	R671101	R671101	R671101	R671101
3	Key Only (HL238)	683503	683503	683503	683503	683503
4	Complete Panel Assembly		Contact Controller Repair Department			
5	Panel and Overlay	-----	R688904	R688903	R688902	R688901
6	Select Knob, Dial		Contact Controller Repair Department			
7	Transformer Assembly, 120 VAC, 60 Hz	R614201	R614201	R614201	R614201	R614201
7	Transformer Assembly, 230 VAC, 50 Hz, ROHS	102-5804C	102-5804C	102-5804C	102-5804C	102-5804C
8	Lower Access Panel Assembly		Contact Controller Repair Department			
	User's Manual		Visit www.irritrol.com to download			
	Quick Reference Card		Visit www.irritrol.com to download			

CONTROLLERS (DISCONTINUED)

DIAL SERIES SOLID STATE

MODEL NO.:

- Dial-18B
- Dial-24B
- Dial-30B
- Dial-36B



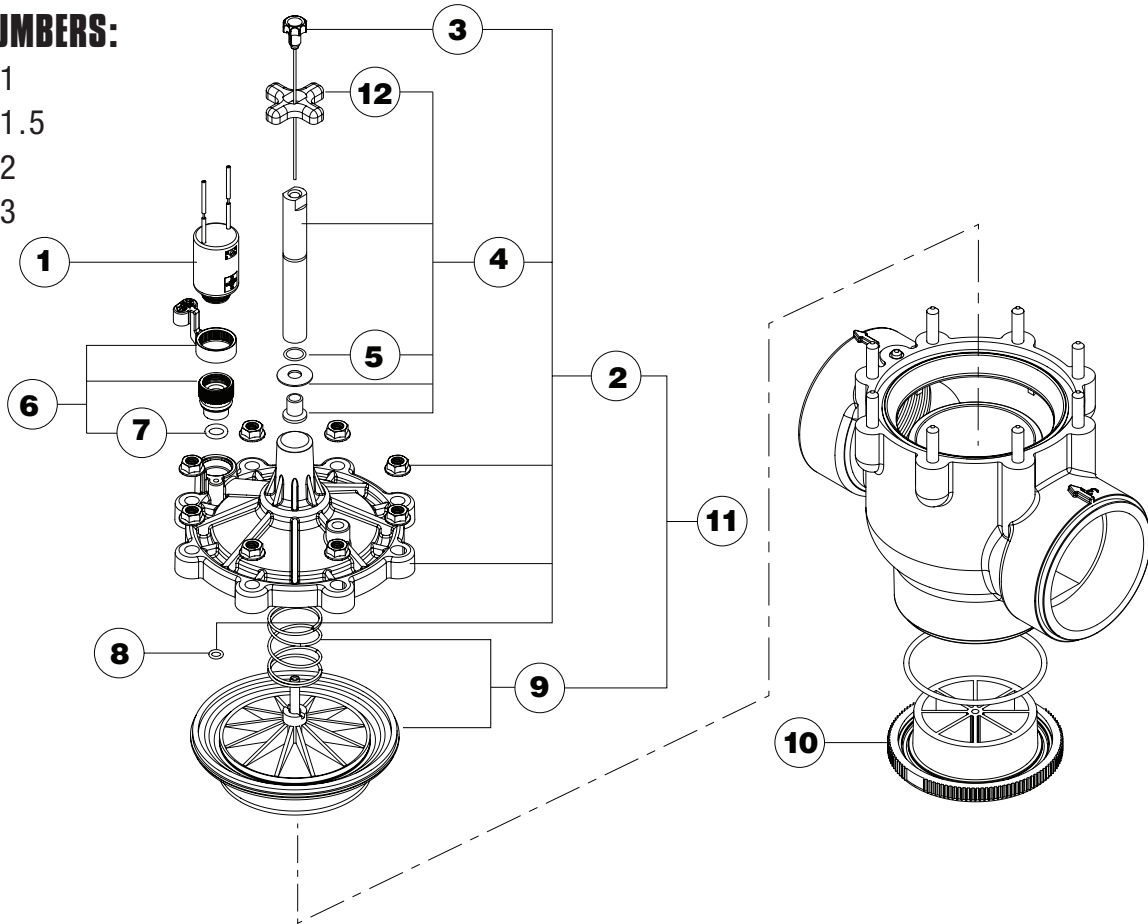
REF.#	DESCRIPTION	DIAL-18B PART NO.	DIAL 24B PART NO.	DIAL-30B PART NO.	DIAL-36B PART NO.
1	Complete Panel Assembly	R7011B	R7013B	Contact Controller Repair Department	
2	Panel and Overlay	R689304	R689303	R689302	R689301
3	Select Knob, Dial	Contact Controller Repair Department			
4	Transformer Assembly, 120 VAC, 60 Hz	R614201	R614201	R614201	R614201
4	Transformer Assembly, 230 VAC, 50 Hz, ROHS	102-5804C	102-5804C	102-5804C	102-5804C
5	Key and Lock Assembly	R671101	R671101	R671101	R671101
6	Key Only (HL238)	683503	683503	683503	683503
7	Lower Access Panel Assembly	Contact Controller Repair Department			
	User's Manual	Visit www.irritrol.com to download			
	Quick Reference Card	Visit www.irritrol.com to download			

VALVES

100 SERIES CENTURY PLUS ELECTRIC GLOBE/ANGLE

MODEL NUMBERS:

- 100P1
- 100P1.5
- 100P2
- 100P3



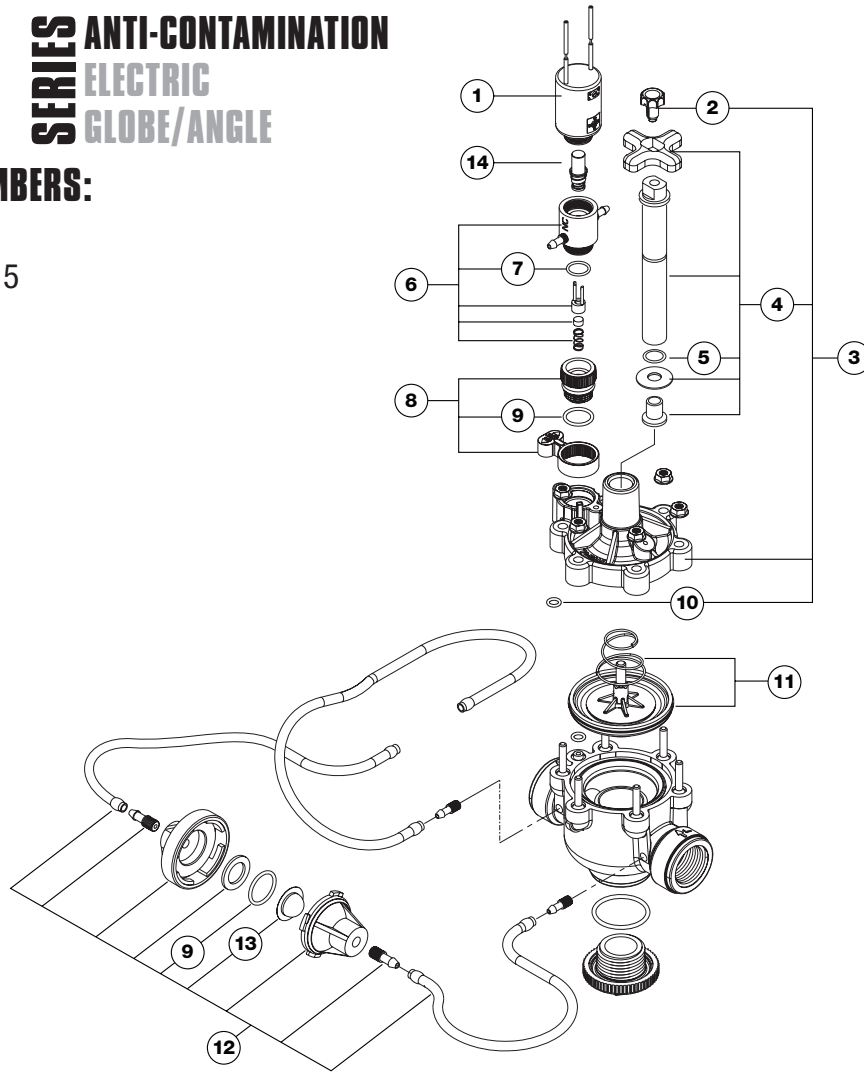
REF.#	DESCRIPTION	100P1 PART NO.	100P1.5 PART NO.	100P2 PART NO.	100P3 PART NO.
1	Solenoid Assy., 24 VAC, 60 Hz	R811-24VACG	R811-24VACG	R811-24VACG	R811-24VACG
1	Solenoid Assembly, 24 VAC, 50 Hz	588403	588403	588403	588403
2	Bonnet Assembly	R933601	R933601	R934601	R934601
3	Metering Rod Assembly	R-1552	R-1552	R-1552	R-1552
4	Stem Assembly	R2862-1	R2862-1	R-1032	R-1032
5	O-Ring	R688701	R688701	R688701	R688701
6	Manual Bleed Assembly	R606902	R606902	R606902	R606902
7	O-Ring	R1631	R1631	R1631	R1631
8	O-Ring	R1054	R1054	R1054	R1054
9	Diaphragm Assembly	R933501	R934201	R934501	R935001
10	Plug	536203	209406	209506-H	209605-H
11	Retrofit Kit R936001	R936101	R936201	R936301	
12	Handle	R856101	R856101	R856101	R856101
	Repair Kit (Includes Ref.# 3, 7, 8 & 9)	R100P1	R100P1.5	R100P2	R100P3
	Retrofit Kit Screws (100)	R739001	R739001	R739001	R739001

VALVES

100 SERIES ANTI-CONTAMINATION ELECTRIC GLOBE/ANGLE

MODEL NUMBERS:

- 102P1
- 102P1.5
- 102P2
- 102P3



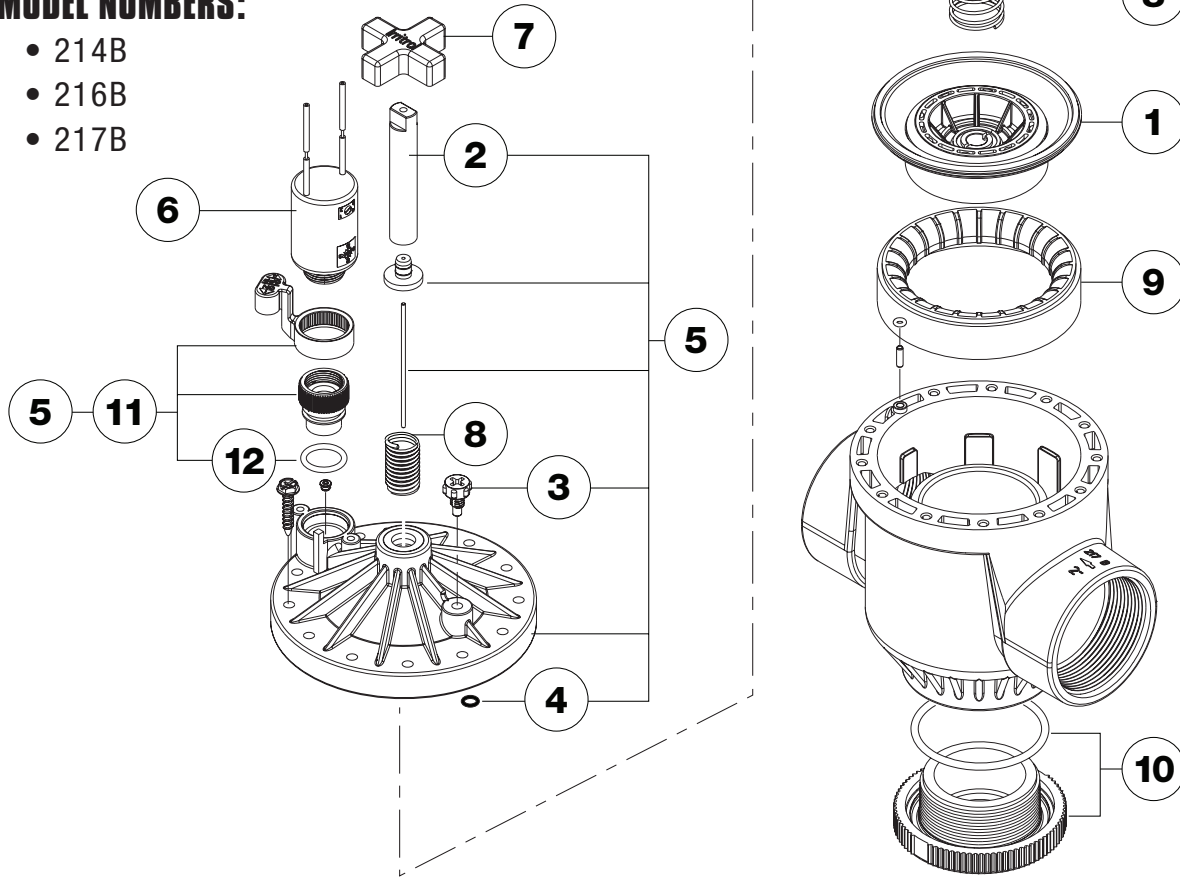
REF.#	DESCRIPTION	102P1 PART NO.	102P1.5 PART NO.	102P2 PART NO.	102P3 PART NO.
1	Solenoid and Plunger Kit	118-1419	118-1419	118-1419	118-1419
2	Bleed Button, Slot	R2805	R2805	R2805	R2805
3	Bonnet Assembly	R955601	R955601	R955801	R955801
4	Stem Assembly	R2862-1	R2862-1	R-1032	R-1032
5	O-Ring	R688701	R688701	R688701	R688701
6	3-way Pilot Assembly	R-1340	R-1340	R-1340	R-1340
7	O-Ring	100225	100225	100225	100225
8	Bleed Plug, Anti-contamination	R685201	R685201	R685201	R685201
9	O-Ring	R1631	R1631	R1631	R1631
10	O-Ring	R1054	R1054	R1054	R1054
11	Diaphragm Assembly	R956001	R956101	R956201-H	R956301
12	Anti-contamination Kit	R1146-2	R1146-2	R1146-2	R1146-2
13	Anti-contamination Screen	R1733	R1733	R1733	R1733
14	Spring and Plunger Assembly	R532503	R532503	R532503	R532503
	Retrofit Kit (Parts included 3, 11, 8, 6)	R956401	R956501	R956601-H	R956701-H

VALVES

200B SERIES ELECTRIC GLOBE/ANGLE

MODEL NUMBERS:

- 214B
- 216B
- 217B



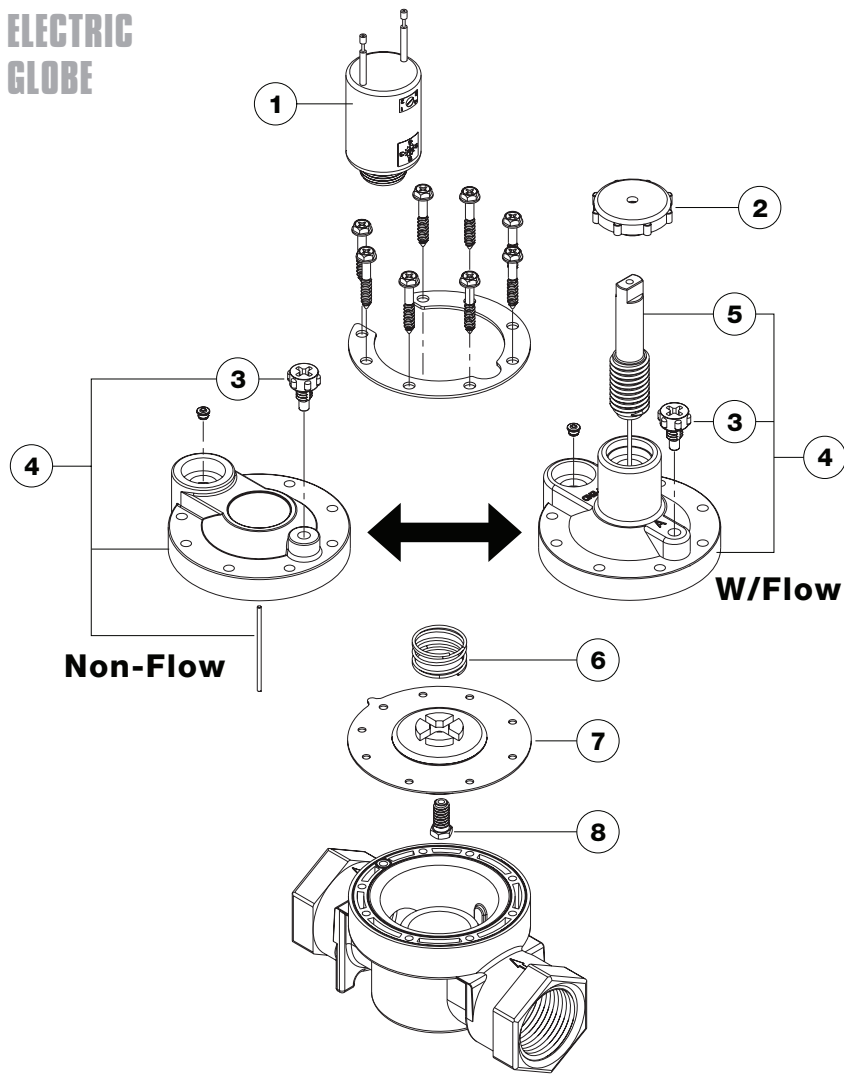
REF.#	DESCRIPTION	214B PART NO.	216B PART NO.	217B PART NO.
1	Diaphragm Assembly	539001	114401-H	114601-H
2	Flow Shaft Assembly	100230	113401	113401
3	External Bleed Screw	100229	100229	100229
4	O-Ring	121001	121001	121001
5	Cover Assembly (Bonnet)	R152101	R216101	R218401
6	Solenoid Assembly, 24 VAC, 60 Hz	R811-24VACG	R811-24VACG	R811-24VACG
6	Solenoid Assembly, 24 VAC, 50 Hz	588403	588403	588403
7	Flow Adjustment Handle	R835601	100322-H	100322-H
8	Spring	R153201	113801-H	114001
9	Divider	100237-H	115001-H	120601
10	Inlet Plug & O-Ring, NPT	112801-H	122301	122501
11	Internal Manual Bleed Assembly	R606902	R606902	R606902
12	O-Ring	R1631	R1631	R1631

VALVES

205 SERIES ELECTRIC GLOBE

MODEL NUMBERS:

- 205S
- 205T
- 205SF
- 205TF



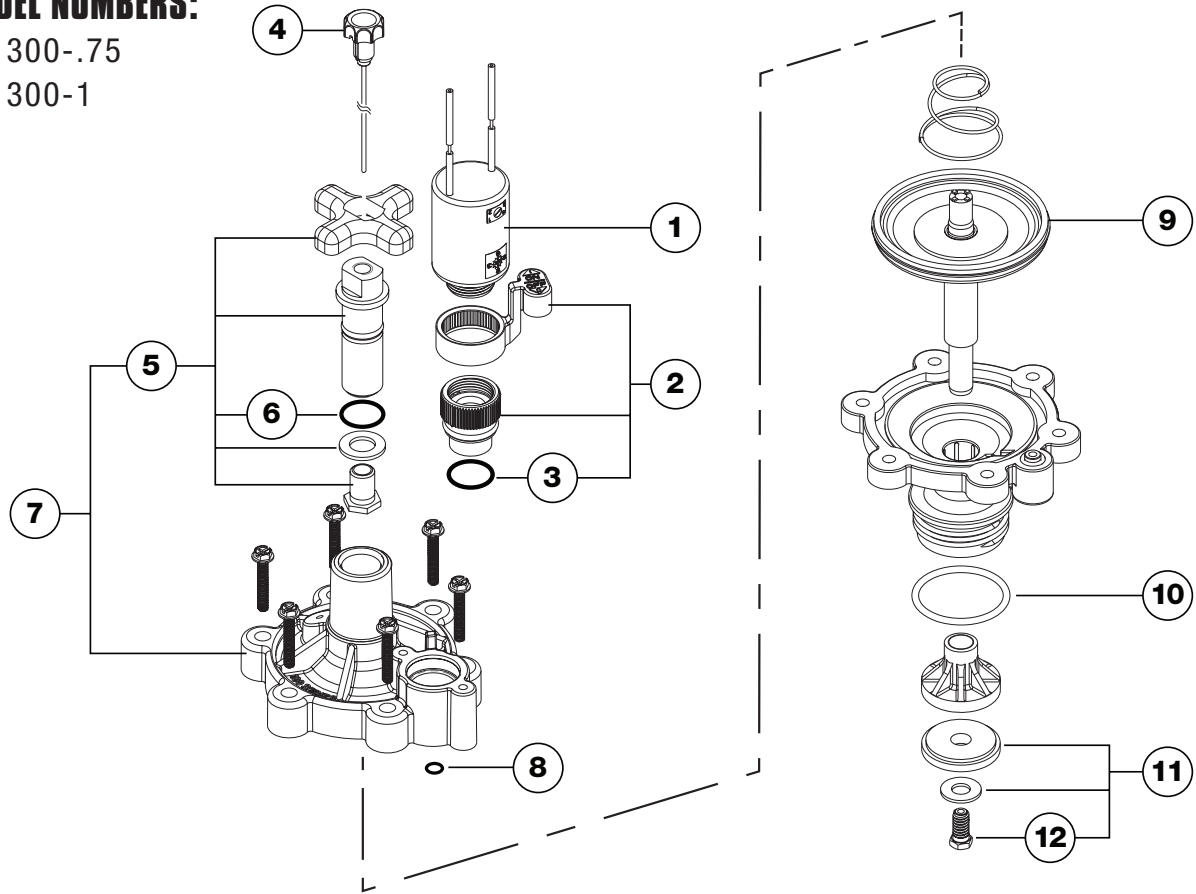
REF.#	DESCRIPTION	PART NO.	205S / 205T	205SF / 205TF
1	Solenoid Assembly, 24 VAC, 60 Hz		R811-24VACG	R811-24VACG
1	Solenoid Assembly, 24 VAC, 50 Hz		588403	588403
2	Flow Adjust Knob-----		100227-H	
3	Bleed Screw		100229	100229
4	Cover Assembly Flow Adjust		100272	100273-H
5	Flow Shaft Assembly		-----	100230
6	Spring		100231-H	100231-H
7	Diaphragm Assembly		100232-H	100232-H
8	Diaphragm Screw		R544101	R544101
9	Cover/Diaphragm Assembly Kit (includes screws and spring)		R205KIT	R205TFKIT

VALVES

300 SERIES ELECTRIC VALVE ADAPTER

MODEL NUMBERS:

- 300-.75
- 300-1



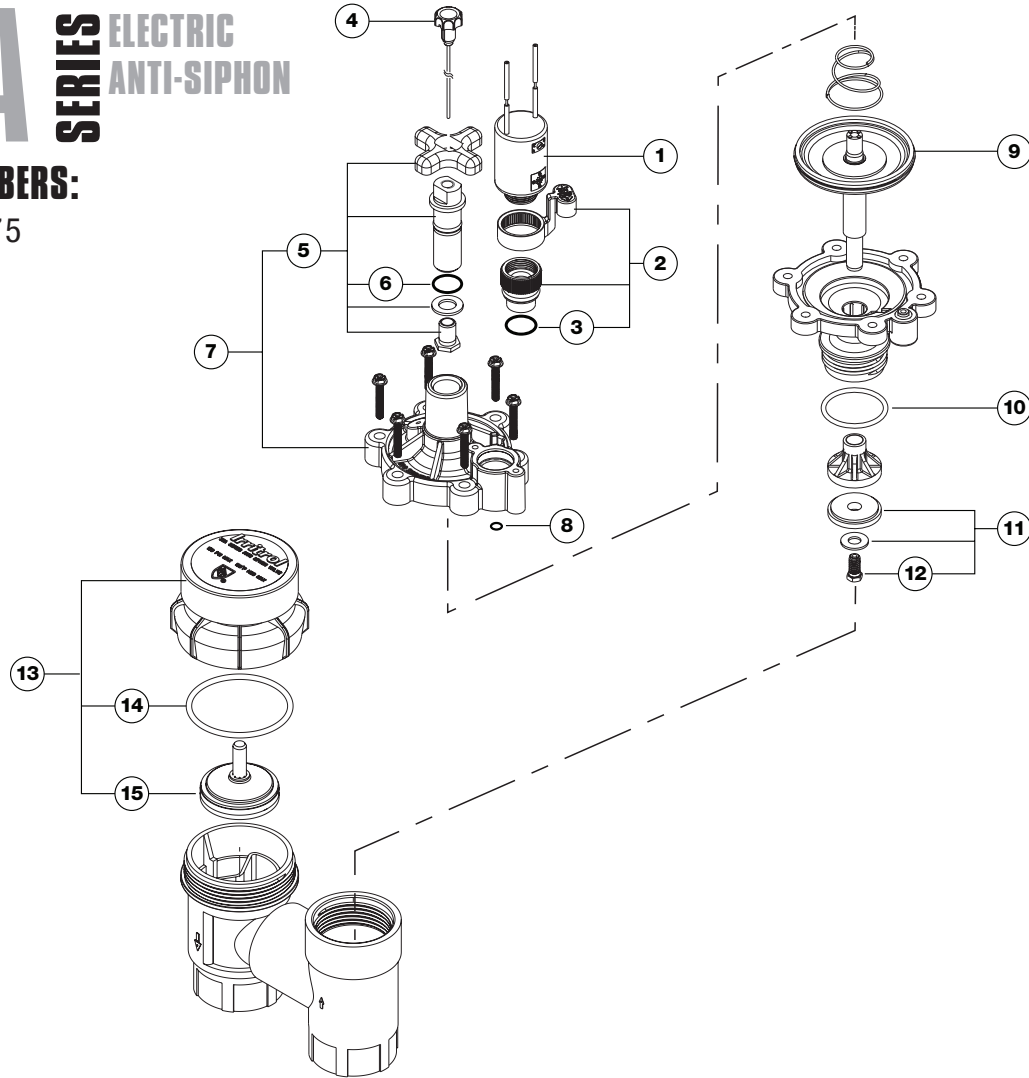
REF.#	DESCRIPTION	PART NO.	300-.75	300-1
1	Solenoid Assembly, 24 VAC, 60 Hz		R811-24VACG	R811-24VACG
1	Solenoid Assembly, 24 VAC, 50 Hz		588403	588403
2	Manual Bleed Assembly		R606902	R606902
3	O-Ring		R1631	R1631
4	Metering Rod Assembly		R-2025	R-2025
5	Flow Adjustment Assembly		R2862-1	R2862-1
6	O-Ring		R688701	R688701
7	Bonnet Assembly	R933601	R933601	
8	O-Ring		R1054	R1054
9	Diaphragm Stem Assembly (includes Ref. Nos. 2 & 8)		R727001	R726901
10	O-Ring		R726801	R726701
11	Seat Seal Assembly		R650001	R650002
12	Seat Seal Screw			R544101 R544101

VALVES

311A SERIES ELECTRIC ANTI-SIPHON

MODEL NUMBERS:

- 311A-.75
- 311A-1



311A-.75/1

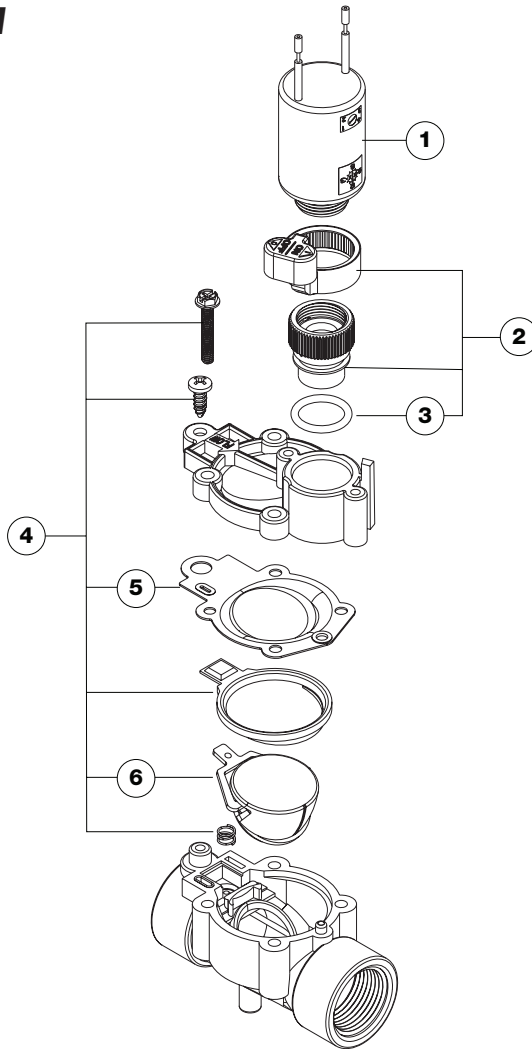
REF.#	DESCRIPTION	PART NO.
1	Solenoid Assembly, 24 VAC, 60 Hz	R811-24VACG
1	Solenoid Assembly, 24 VAC, 50 Hz	588403
2	Manual Bleed Assembly	R606902
3	O-Ring	R1631
4	Metering Rod Assembly	R-2025
5	Flow Adjustment Assembly	R2862-1
6	O-Ring	R688701
7	Bonnet Assembly	R933601
8	O-Ring	R1054
9	Diaphragm Stem Assembly (includes Ref. Nos.# 8)	R726901
10	O-Ring	R726701
11	Seat Seal Assembly	R650002
12	Seat Seal Screw	R544101
13	Anti-siphon Cover Assembly	R728001
14	O-Ring	R2797
15	Stem Assembly	R727901

VALVES

700 SERIES UltraFlow ELECTRIC GLOBE

MODEL NUMBERS:

- 700B-.75



700B-.75

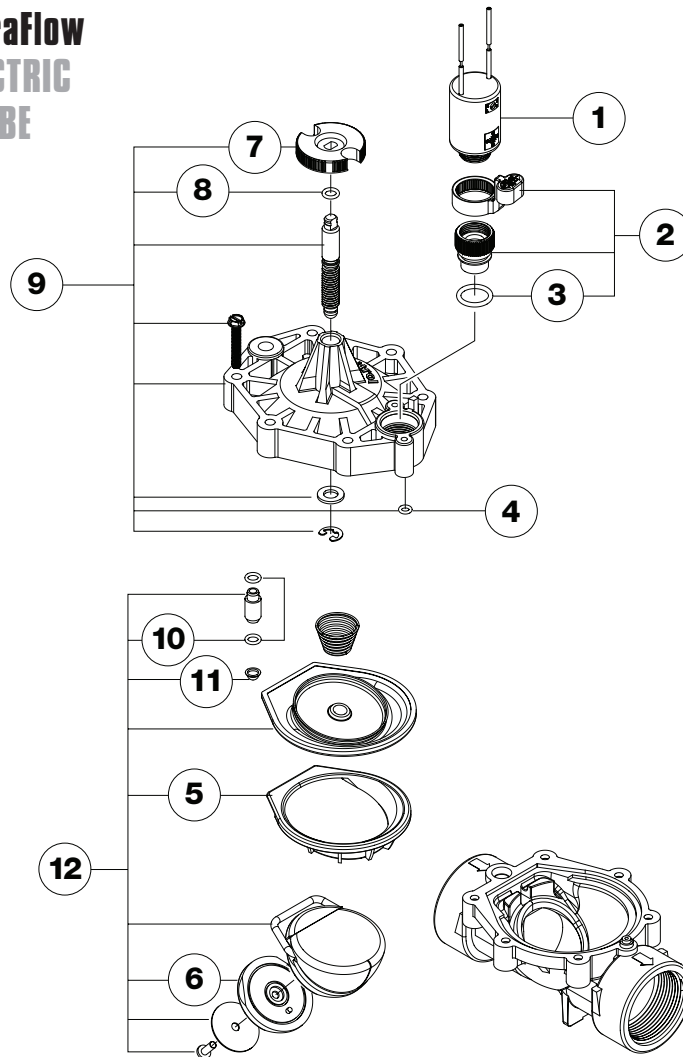
REF.#	DESCRIPTION	PART NO.
1	Solenoid Assembly, 24 VAC, 60 Hz	R811-24VACG
1	Solenoid Assembly, 24 VAC, 50 Hz	588403
2	Manual Bleed Assembly	R606902
3	O-Ring	R1631
4	Repair Kit (includes screws)	SPK-700B-.75
5	Diaphragm	R2026
6	Seat Seal Assembly	R1018101

VALVES

700 SERIES UltraFlow ELECTRIC GLOBE

MODEL NUMBERS:

- 700-1
- 700-1.5
- 700-2



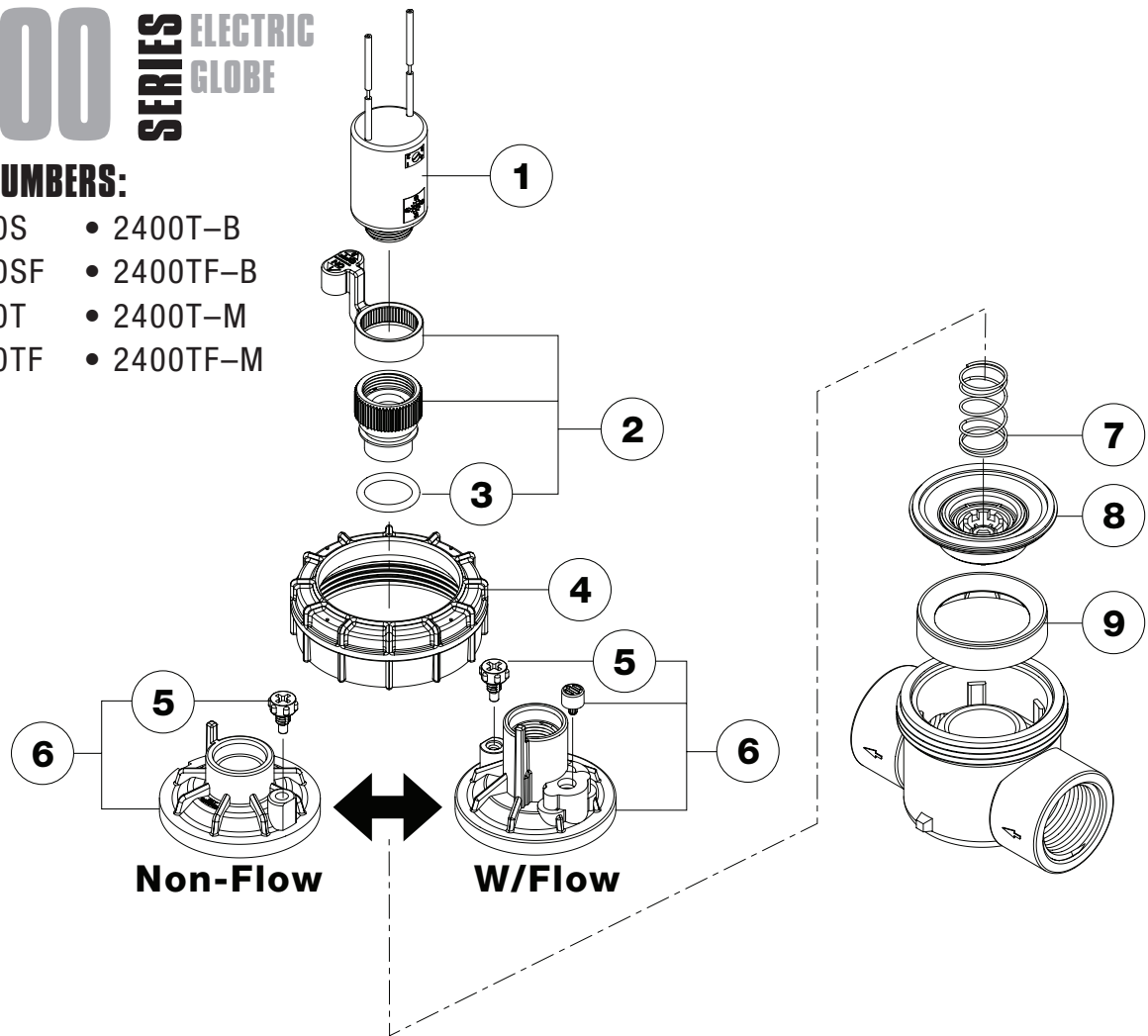
REF.#	DESCRIPTION	700-1 PART NO.	700-1.5 PART NO.	700-2 PART NO.
1	Solenoid Assembly, 24 VAC, 60 Hz	R811-24VACG	R811-24VACG	R811-24VACG
1	Solenoid Assembly, 24 VAC, 50 Hz	588403	588403	588403
2	Manual Bleed Assembly	R606902	R606902	R606902
3	O-Ring	R1631	R1631	R1631
4	O-Ring	R10153	R10153	R1054
5	Diaphragm R2357	R2383	R1869	
6	Seat Seal	R2349	R2376	R1874
7	Flow Control Knob	R1019901	R1027701	R1995
8	O-Ring	R2509	R1054	R2863
9	Bonnet Assembly	R691901	R691701	R691801
10	O-Ring	R2509	R1054	R2863
11	Filter Screen	R2360	R2386	R2655
12	Repair Kit (Includes Ref.# 3, 4 & 12)	SPK-700-1	SPK-700-1.5	SPK-700-2

VALVES

2400 SERIES ELECTRIC GLOBE

MODEL NUMBERS:

- 2400S • 2400T-B
- 2400SF • 2400TF-B
- 2400T • 2400T-M
- 2400TF • 2400TF-M



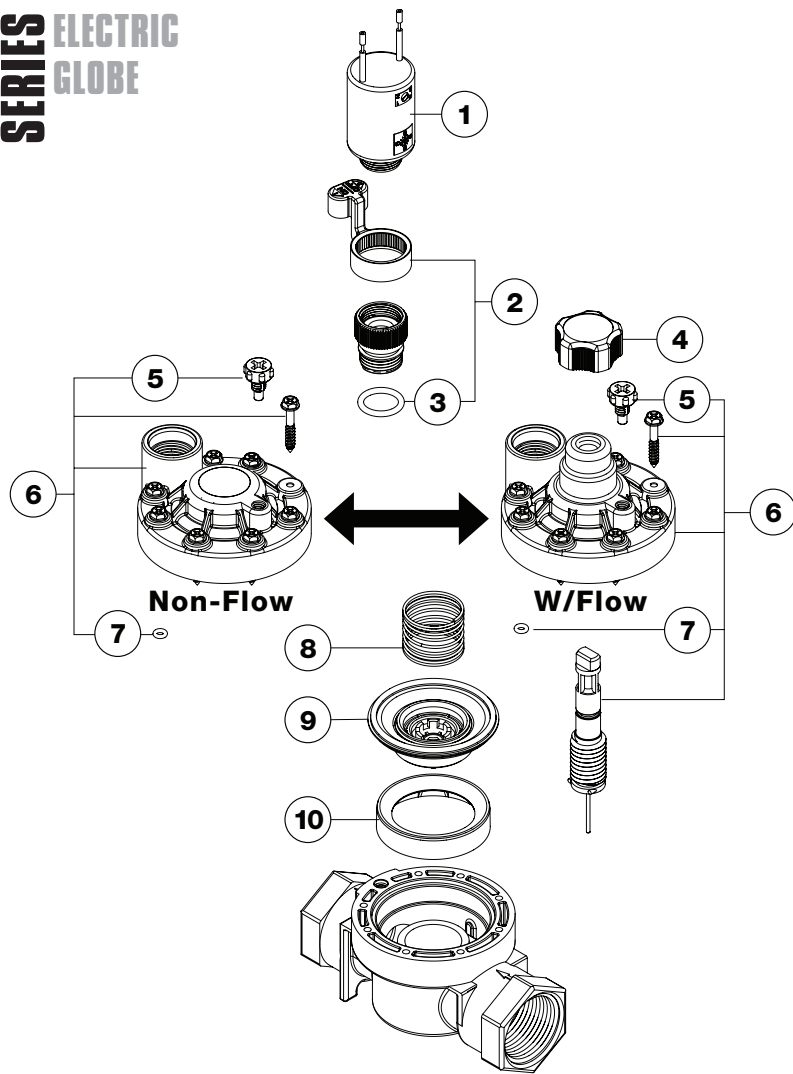
REF.#	DESCRIPTION	2400 SERIES (NON-FLOW)		2400 SERIES (W/FLOW)	
		PART NO.	PART NO.	PART NO.	PART NO.
1	Solenoid Assembly, 24 VAC, 60 Hz	R811-24VACG		R811-24VACG	
1	Solenoid Assembly, 24 VAC, 50 Hz	588403		588403	
2	Manual Bleed Assembly	R606902		R606902	
3	O-Ring	R1631		R1631	
4	Nut Cap	549101		549101	
5	Bleed Screw	100229		100229	
6	Cover Assembly	534901		534801	
7	Spring	100235		100235	
8	Diaphragm	100236		100236	
9	Divider	100237-H		100237-H	

VALVES

2500 SERIES ELECTRIC GLOBE

MODEL NUMBERS:

- 2500S
- 2500T
- 2500SF
- 2500TF



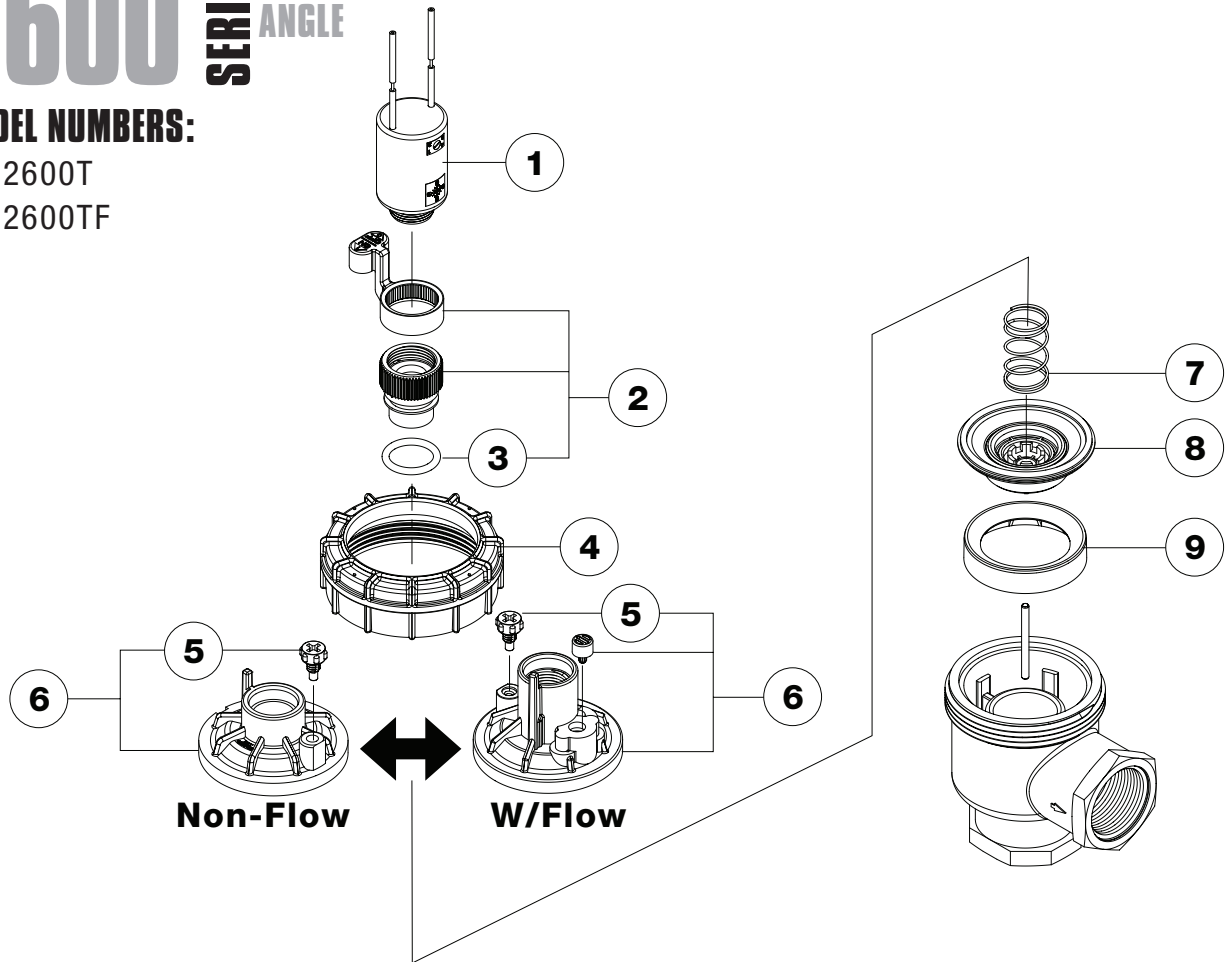
REF.#	DESCRIPTION	PART NO.	2500S / 2500T	2500SF / 2500TF
1	Solenoid Assembly, 24 VAC, 60 Hz	R811-24VACG		R811-24VACG
1	Solenoid Assembly, 24 VAC, 50 Hz	588403		588403
2	Manual Bleed Assembly	R606902		R606902
3	O-Ring	R1631		R1631
4	Flow Adjust Knob	----		835603
5	Bleed Screw	100229		100229
6	Cover Assembly	R1080901		R1074601
7	O-Ring	121001		121001
8	Spring	R153201		R153201
9	Diaphragm Assembly	539001		539001
10	Divider	100237-H		100237-H

VALVES

2600 SERIES ELECTRIC ANGLE

MODEL NUMBERS:

- 2600T
- 2600TF



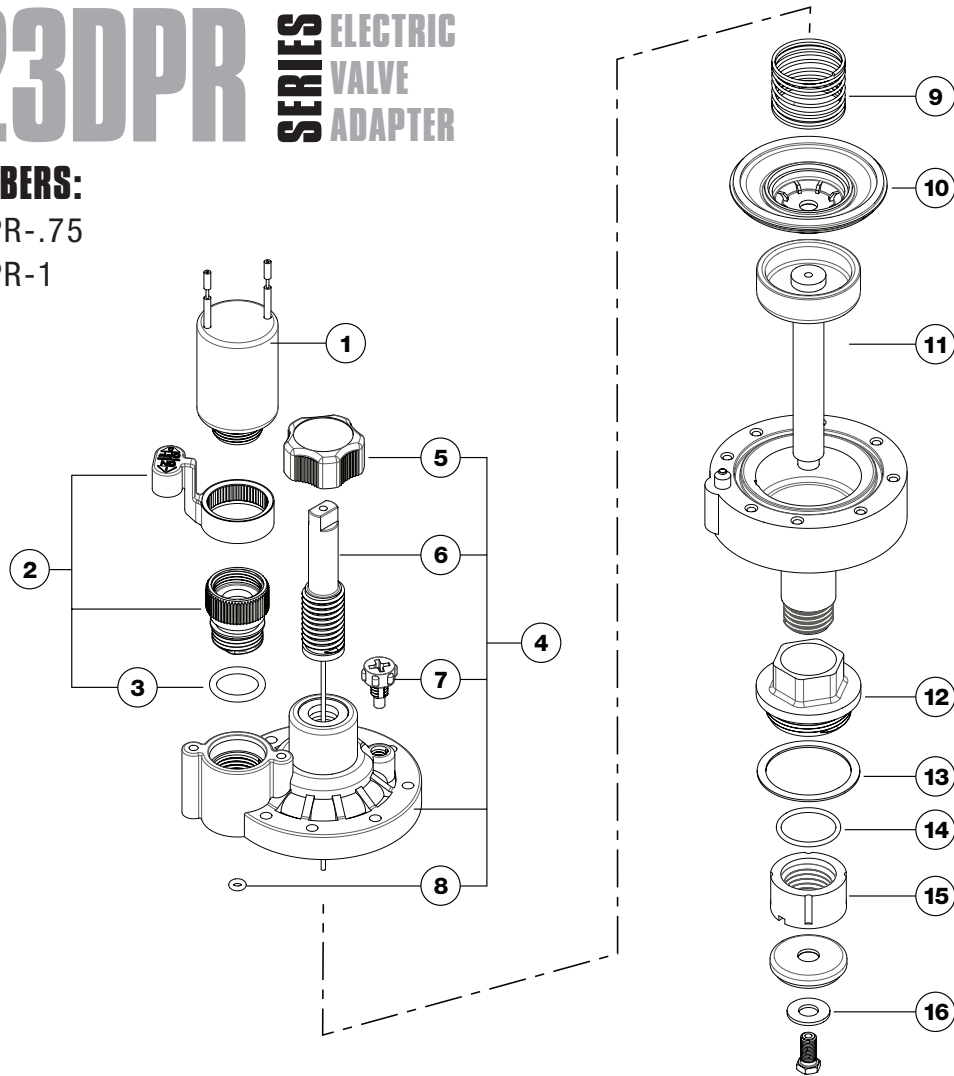
REF.#	DESCRIPTION	2600T PART NO.	2600TF PART NO.
1	Solenoid Assembly, 24 VAC, 60 Hz	R811-24VACG	R811-24VACG
1	Solenoid Assembly, 24 VAC, 50 Hz	588403	588403
2	Manual Bleed Assembly	R606902	R606902
3	O-Ring	R1631	R1631
4	Nut Cap	549101	549101
5	Bleed Screw	100229	100229
6	Cover Assembly	534901	534801
7	Spring	100235	100235
8	Diaphragm Assembly	100236	100236
9	Divider	100237-H	100237-H

VALVES

2623DPR SERIES ELECTRIC VALVE ADAPTER

MODEL NUMBERS:

- 2623DPR-.75
- 2623DPR-1



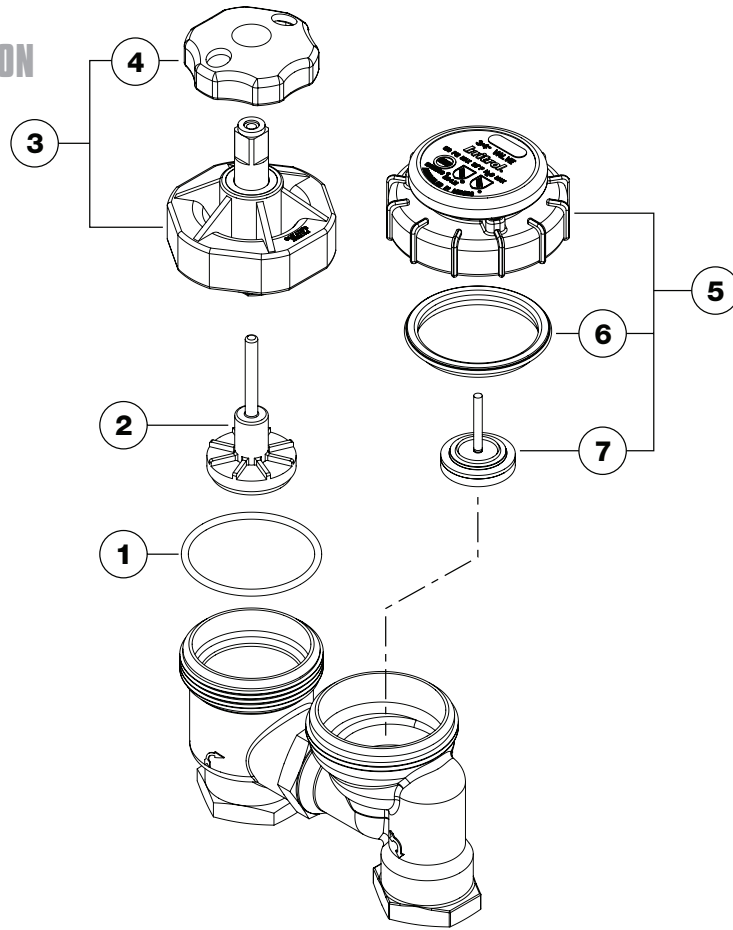
REF.#	DESCRIPTION	2623DPR-.75 PART NO.	2623DPR-1 PART NO.
1	Solenoid Assembly, 24 VAC, 60 Hz	R811-24VACG	R811-24VACG
1	Solenoid Assembly, 24 VAC, 50 Hz	588403	588403
2	Manual Bleed Assembly	R606902	R606902
3	O-Ring	R1631	R1631
4	Cover Assembly	636201	636201
5	Flow Adjust Knob	100227-H	100227-H
6	Flow Adjustment Assembly	148201	148201
7	Bleed Screw	100229	100229
8	O-Ring	121001	121001
9	Spring	R153201	R153201
10	Diaphragm Kit	149601	149601
11	Diaphragm Stem Assembly	636302	573601
12	GEE Adapter Nut	846001	845701
13	Gasket, Nut	623-27	623-26
14	O-Ring	R725401	R725401
15	Retainer Nut	102-2033	102-2033
16	Bib Washer	156001	156201

VALVES

2700 SERIES MANUAL ANTI-SIPHON

MODEL NUMBERS:

- 2706PR
- 2709PR



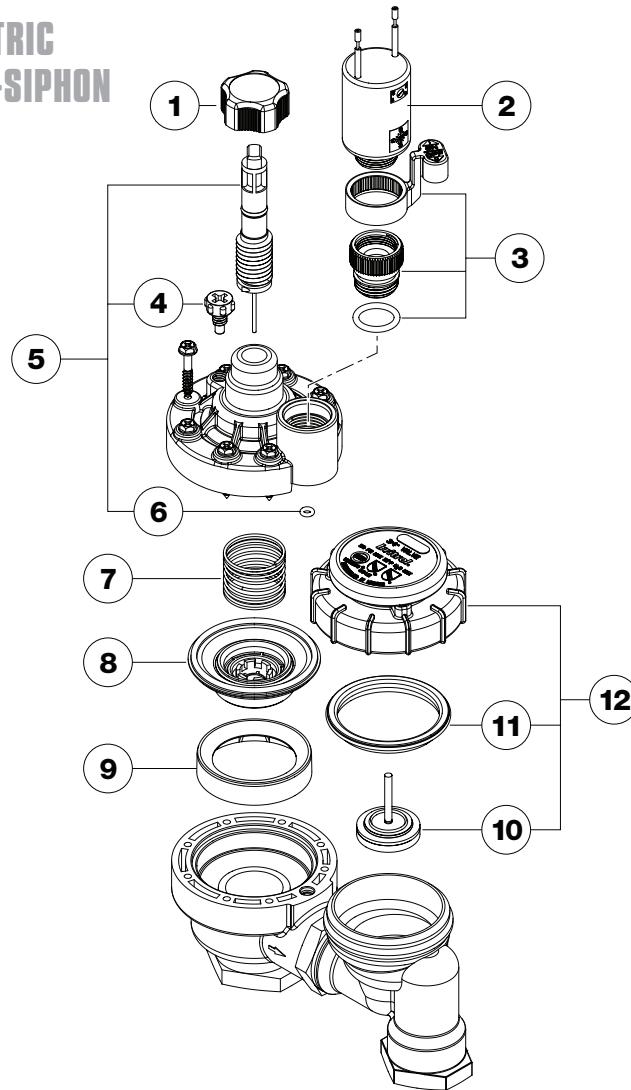
REF.#	DESCRIPTION	2706PR	2709PR
		PART NO.	PART NO.
1	O-Ring	147701	147701
2	Bib Washer Assembly	147101-H	147301
3	Cover Assembly	147501-H	147501-H
4	Flow Adjustment Knob	R704-27	R704-27
5	Anti-siphon Cover Assembly	R217104	R519108
6	O-Ring	100241	100233
7	Stem Assembly	100246	100234-H

VALVES

2700 SERIES ELECTRIC ANTI-SIPHON

MODEL NUMBERS:

- 2711APR
- 2713APR



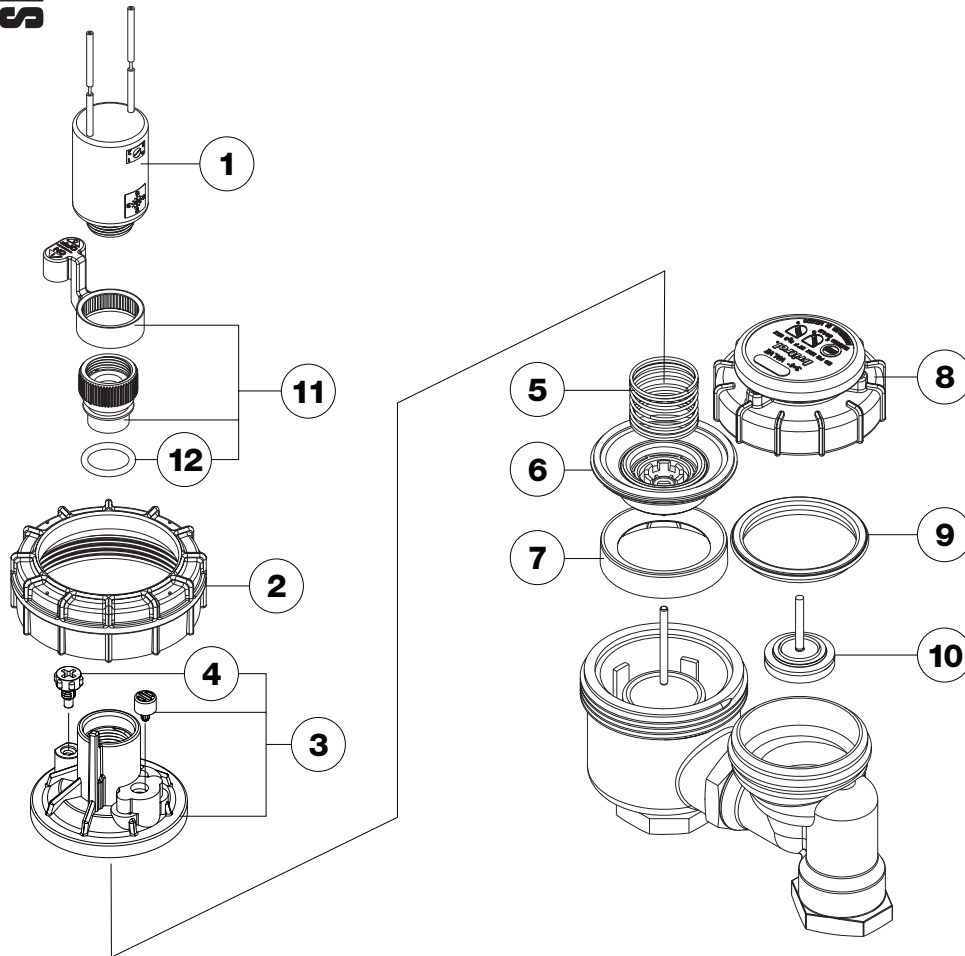
REF.#	DESCRIPTION	2711APR PART NO.	2713APR PART NO.
1	Knob	835603	835603
2	Solenoid Assembly, 24 VAC, 60 Hz	R811-24VACG	R811-24VACG
2	Solenoid Assembly, 24 VAC, 50 Hz	588403	588403
3	Manual Bleed Assembly	R606902	R606902
4	Bleed Screw	100229	100229
5	Cover Assembly	R1074601	R1074601
6	O-Ring	121001	121001
7	Spring	R153201	R153201
8	Diaphragm Assembly	539001	539001
9	Divider	100237-H	100237-H
10	Stem Assembly	100246	100234-H
11	O-Ring (Anti-siphon)	100241	100233
12	Anti-siphon Cover Assembly	R217104	R519108

VALVES

2700 SERIES ELECTRIC ANTI-SIPHON

MODEL NUMBERS:

- 2711DPR
- 2713DPR



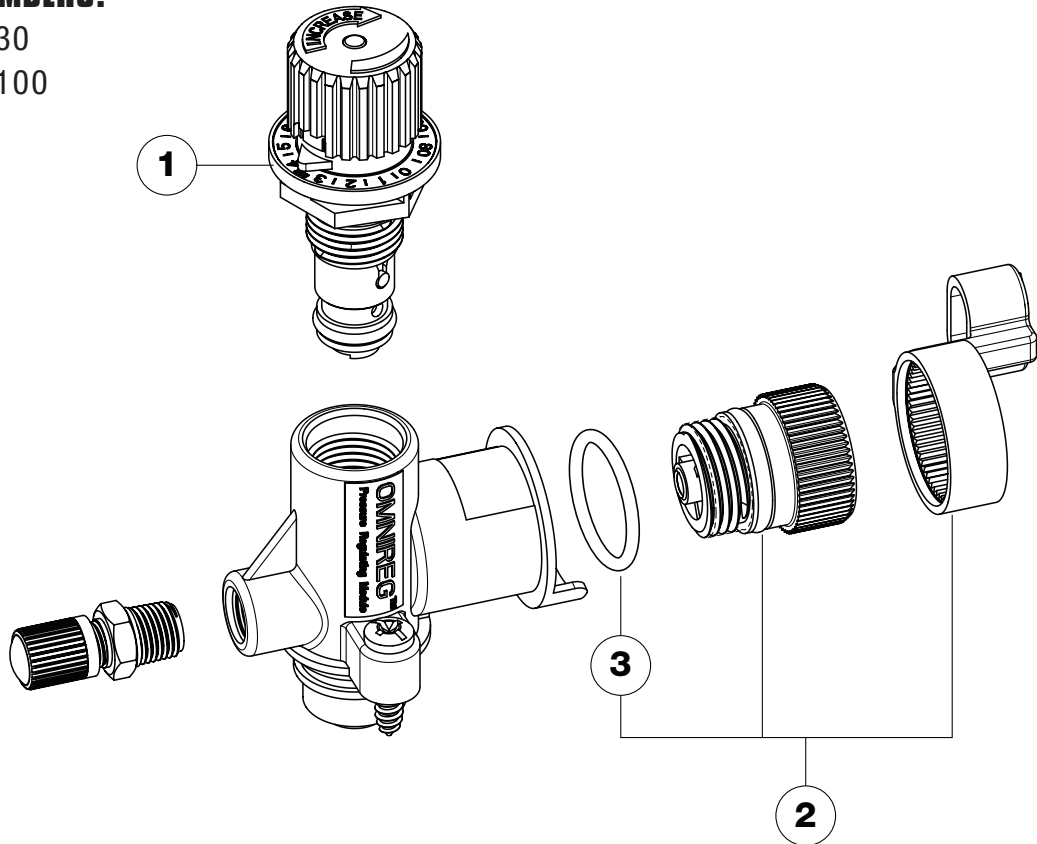
REF.#	DESCRIPTION	2711DPR PART NO.	2713DPR PART NO.
1	Solenoid Assembly, 24 VAC, 60 Hz	R811-24VACG	R811-24VACG
1	Solenoid Assembly, 24 VAC, 50 Hz	588403	588403
2	Nut Cap	549101	549101
3	Cover Assembly Flow Adjust	534801	534801
4	Bleed Screw	100229	100229
5	Spring	100235	100235
6	Diaphragm Assembly	100236	100236
7	Divider	100237-H	100237-H
8	Anti-siphon Cover Assembly	R217104	R519108
9	O-Ring (Anti-siphon)	100241	100233
10	Stem Assembly	100246	100234-H
11	Manual Bleed Assembly	R606902	R606902
12	O-Ring	R1631	R1631

VALVES

OMNIREG™ SERIES MODULAR PRESSURE REGULATOR

MODEL NUMBERS:

- OMR-30
- OMR-100



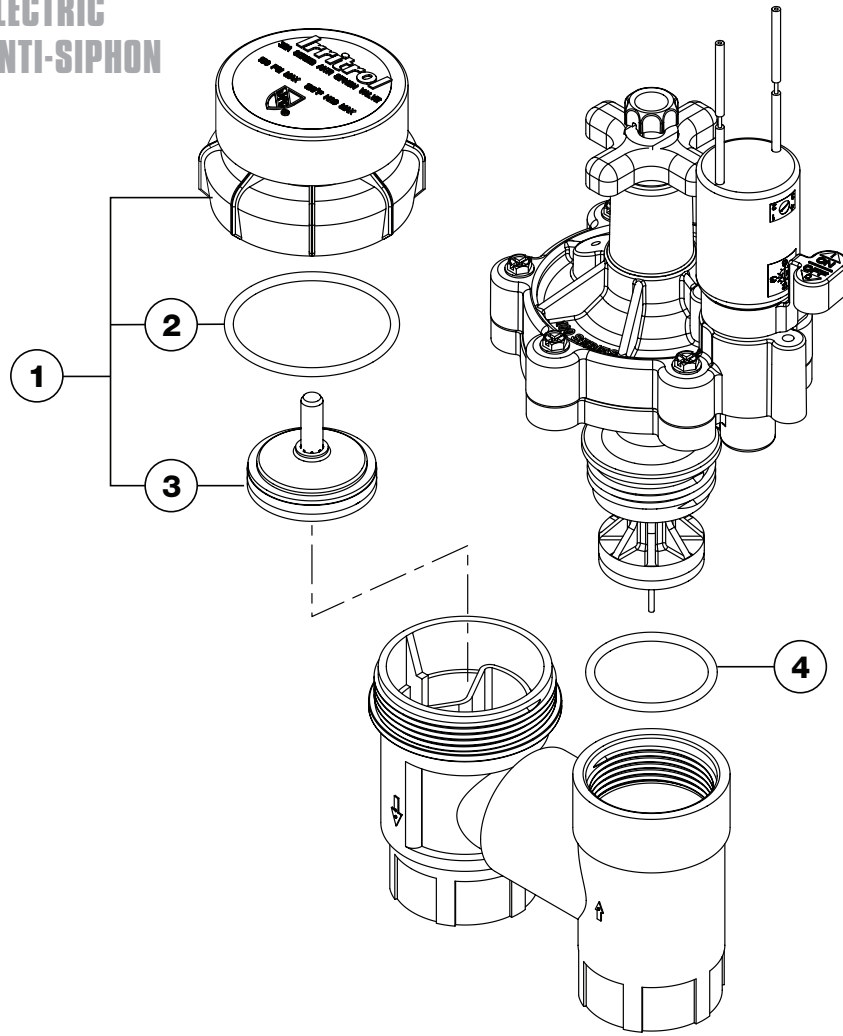
REF.#	DESCRIPTION	OMR-30	OMR-100
		PART NO.	PART NO.
1	Module	R832502	R832501
2	Bleed Plug, O-Ring and Handle Assembly	R606902	R606902
3	O-Ring	R1631	R1631

VALVES (DISCONTINUED)

300 SERIES ELECTRIC ANTI-SIPHON

MODEL NUMBERS:

- 305-.75
- 305.1



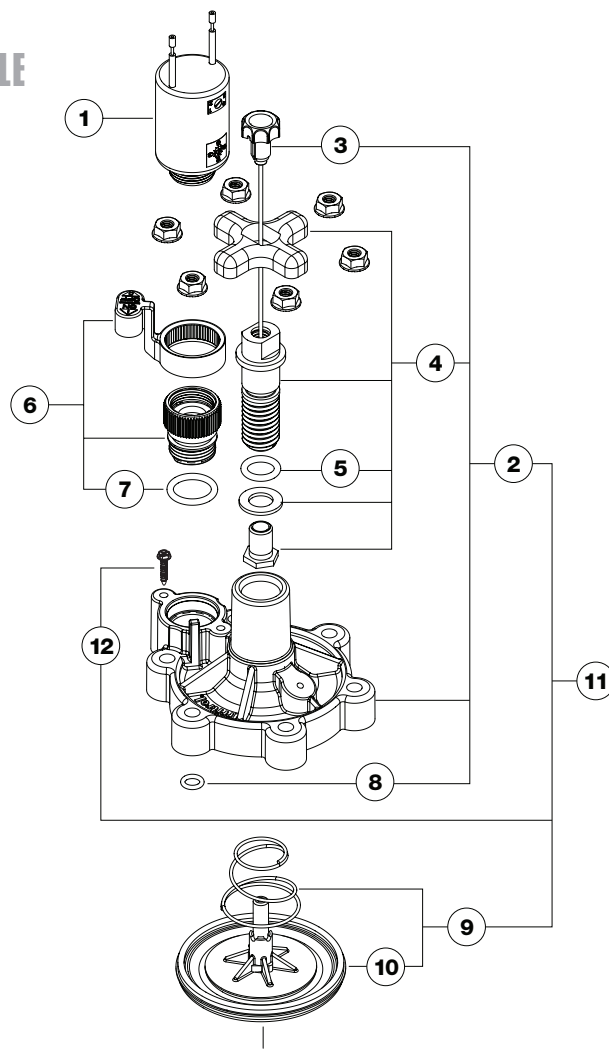
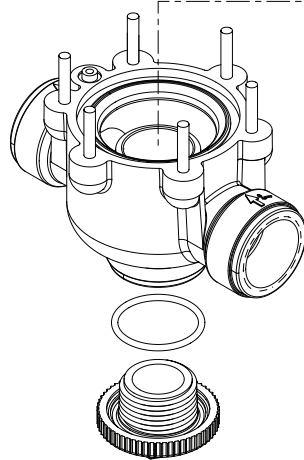
REF.#	DESCRIPTION	305-.75 PART NO.	305-1 PART NO.
1	Anti-siphon Cover Assembly	R728001	R728001
2	O-Ring	R2797	R2797
3	Stem Assembly	R727901	R727901
4	O-Ring	R726801	R726701

VALVES (DISCONTINUED)

CENTURY SERIES ELECTRIC GLOBE/ANGLE

MODEL NUMBERS:

- 100-1
- 100-1.5
- 100-2
- 100-3



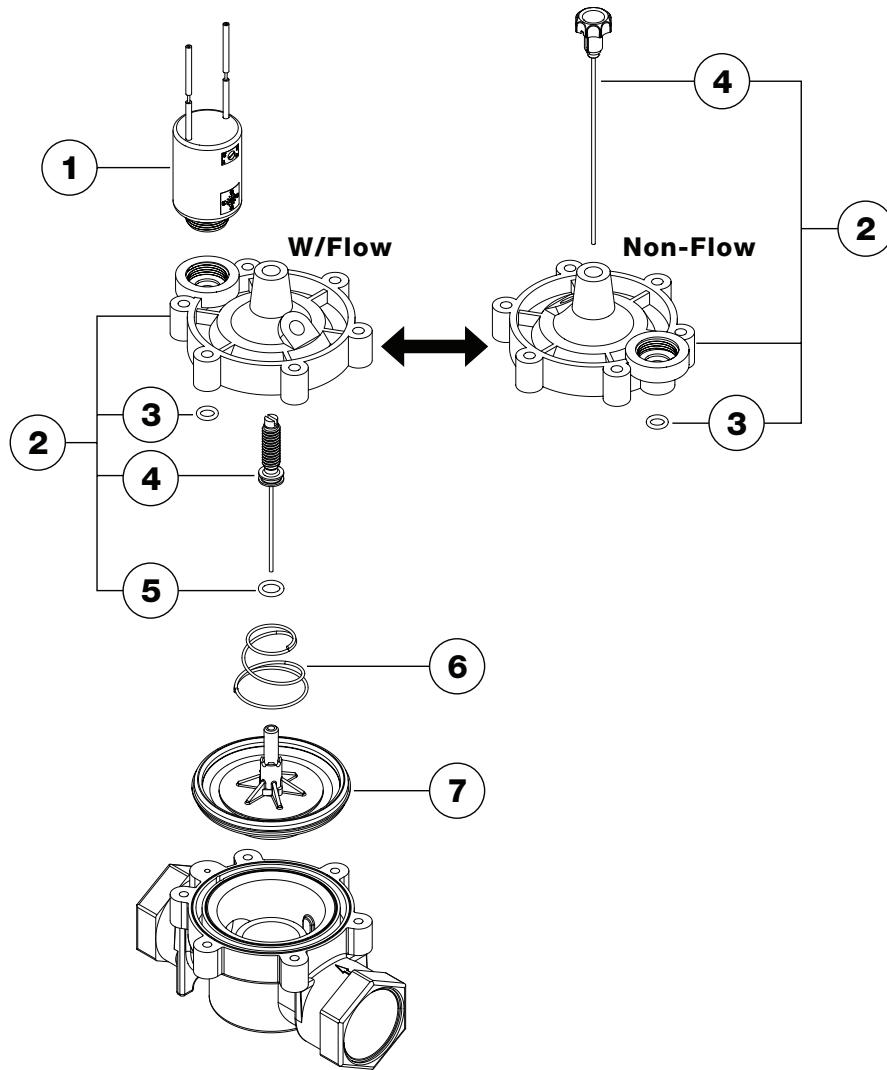
REF.#	DESCRIPTION	100-1 PART NO.	100-1.5 PART NO.	100-2 PART NO.	100-3 PART NO.
1	Solenoid Assembly, 24 VAC, 60 Hz	R811-24VACG	R811-24VACG	R811-24VACG	R811-24VACG
1	Solenoid Assembly, 24 VAC, 50 Hz	588403	588403	588403	588403
2	Bonnet Assembly	R-2001-H	R-2001-H	R-2006	R-2006
3	Metering Rod Assembly	R-1552	R-1552	R-1552	R-1552
4	Stem Assembly	R2862-1	R2862-1	R-1032	R-1032
5	O-Ring	R688701	R688701	R688701	R688701
6	Manual Bleed Assembly	R606902	R606902	R606902	R606902
7	O-Ring	R1631	R1631	R1631	R1631
8	O-Ring	R1054	R1054	R1054	R1054
9	Diaphragm Assembly	R-1308	R-1310	R-1312	R-1314
10	Seat Seal	-----	-----	R1058	R1059
11	Repair Kit (Includes Ref.# 5, 7, 8, 9 & 12)	SPK-100-1	SPK-100-1.5	SPK-100-2	SPK-100-3
12	Retro Kit Screws (100)	R739001	R739001	R739001	R739001

VALVES (DISCONTINUED)

HR1 SERIES ELECTRIC GLOBE

MODEL NUMBERS: (DISCONTINUED SERIES)

- HR1-S
- HR1-T
- HR1-SF
- HR1-TF



REF.#	DESCRIPTION	HR1-S / HR1-T	HR1-SF / HR1-TF
		PART NO.	PART NO.
1	Solenoid Assembly, 24 VAC, 60 Hz	R811-24VACG	R811-24VACG
1	Solenoid Assembly, 24 VAC, 50 Hz	588403	588403
2	Cover Assembly	R719901	R719801
3	O-Ring	R1054	R1054
4	Metering Rod & Bleed	R1806	R2813
5	O-Ring	-----	R1222
6	Spring	R-H1040	R-H1040
7	Diaphragm Assembly	R1359	R1359
	Repair Kit (Includes Ref.# 3, 4 [Non-Flow], & 7)	SPK-HR1	SPK-HR1

VALVE ACCESSORIES

DESCRIPTION	PART NO.
Mini Valve Body	141201
Solenoid Conduit Cover	811-20
Conversion Kit, Hydraulic Valve	HVC-KIT
Manual Bleed Adapter, 711 & 713 Series Valve	R1572
Regulator Assembly Kit, 30 PSI, AG, Century Series Valve	R688601
Regulator Assembly Kit, 100 PSI, Century Series Valve	R688602
Solenoid Kit, Reclaimed Water	RW60-KIT
Pressure Gauge Kit, 100 PSI	SPK-100
24 VDC Solenoid Assembly	R576804
24 VAC Solenoid Assembly, 60 Hz	R811-24VACG
DC Latching Solenoid	DCL
Cap Nut Tool, 2400 & 2600 Series	2400-45

5825 Jasmine St
Riverside, CA 92504-1183

HEADQUARTERS

Tel 951-785-3623
Fax 951-359-1870

ORDER ENTRY

Tel 800-883-1234
Fax 800-883-5432

www.irritrol.com